

US00D849921S

(12) **United States Design Patent** (10) **Patent No.:** **US D849,921 S**
Gobber et al. (45) **Date of Patent:** **** May 28, 2019**

(54) **AIR FRESHENER**

9/22; B01D 46/00; B01D 46/0002; B01D 46/20; F02M 35/04; F24F 13/20; A62B 21/00

(71) Applicant: **ZOBELE HOLDINGS SPA**, Trento (IT)

See application file for complete search history.

(72) Inventors: **Cedric Gobber**, Barcelona (ES); **Joaquim Llorente Alonso**, Barcelona (ES)

(56) **References Cited**

U.S. PATENT DOCUMENTS

(73) Assignee: **ZOBELE HOLDING S.P.A.**, Trent (IT)

D284,506	S	*	7/1986	Gutknecht	D23/368
D461,549	S	*	8/2002	Garcia	D23/360
D506,817	S	*	6/2005	Wirthman	D23/367
D605,277	S	*	12/2009	Rossi	D23/366
D672,862	S	*	12/2012	Adair	D23/366
D698,912	S	*	2/2014	Garbusi	D23/366
D700,694	S	*	3/2014	Sordo	D23/366
2008/0253755	A1	*	10/2008	Smith	A61L 9/037 392/386
2010/0034527	A1	*	2/2010	Caserta	A01M 1/2077 392/395

(**) Term: **15 Years**

(21) Appl. No.: **35/503,207**

(22) Filed: **Dec. 22, 2016**

* cited by examiner

(80) **Hague Agreement Data**

Int. Filing Date: **Dec. 22, 2016**

Int. Reg. No.: **DM/094612**

Int. Reg. Date: **Dec. 22, 2016**

Int. Reg. Pub. Date: **Jun. 23, 2017**

Primary Examiner — Keli L Hill

(74) *Attorney, Agent, or Firm* — Ostrolenk Faber LLP

(30) **Foreign Application Priority Data**

Jun. 23, 2016 (ES) D0523623

(51) **LOC (11) Cl.** **23-01**

(52) **U.S. Cl.**
USPC **D23/366**

(58) **Field of Classification Search**
USPC D23/207, 208, 360, 364–369, 388;
D22/119, 122

CPC A61L 9/00; A61L 9/02; A61L 9/03; A61L 9/034; A61L 9/04; A61L 9/12; A61L 9/032; A61L 9/122; A61L 9/127; A61L

(57) **CLAIM**

An ornamental design for an air freshener, as shown and described.

DESCRIPTION

1.1 is a top, front and right side perspective view.

1.2 is a left side elevation view.

1.3 is a front elevation view.

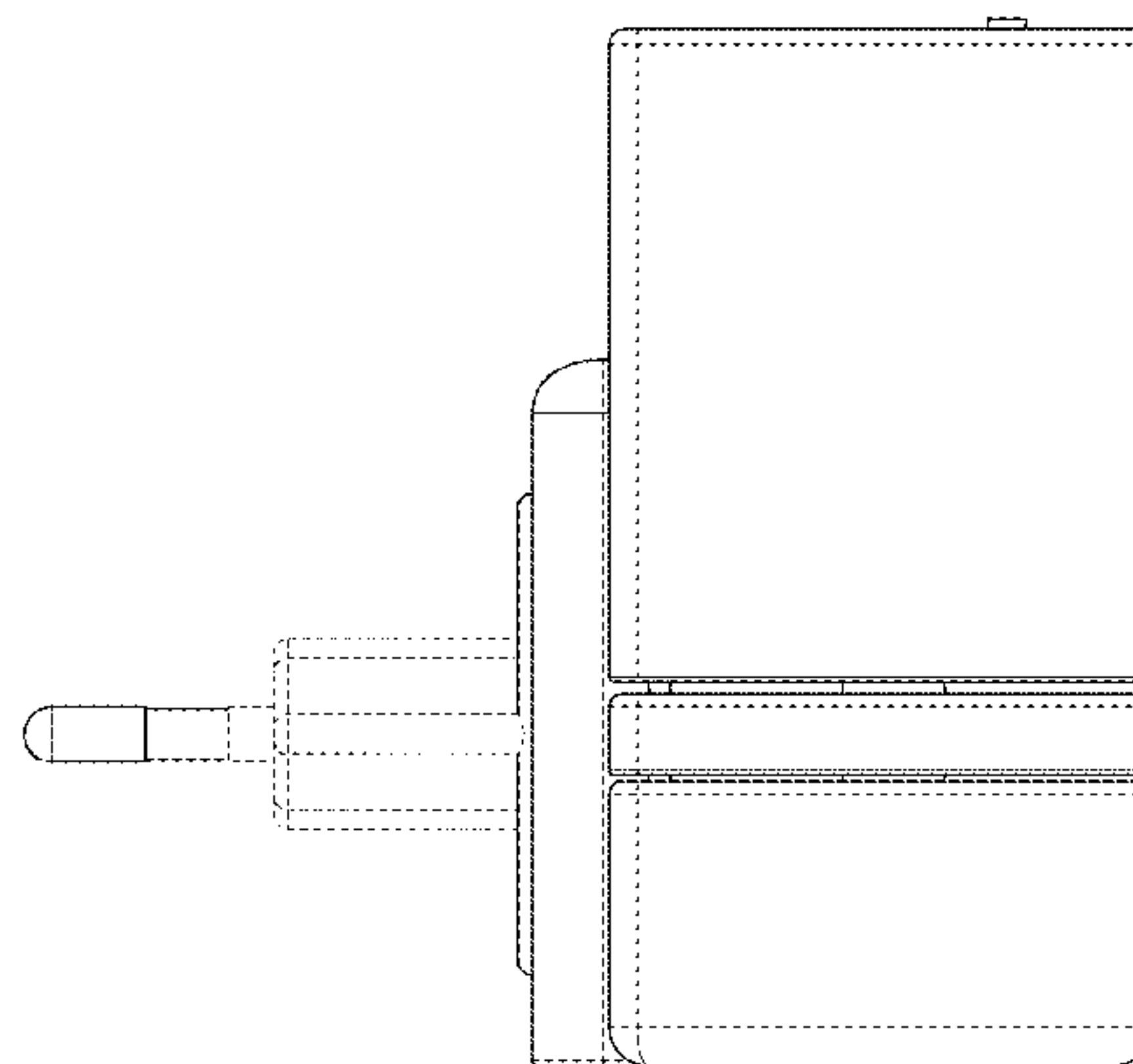
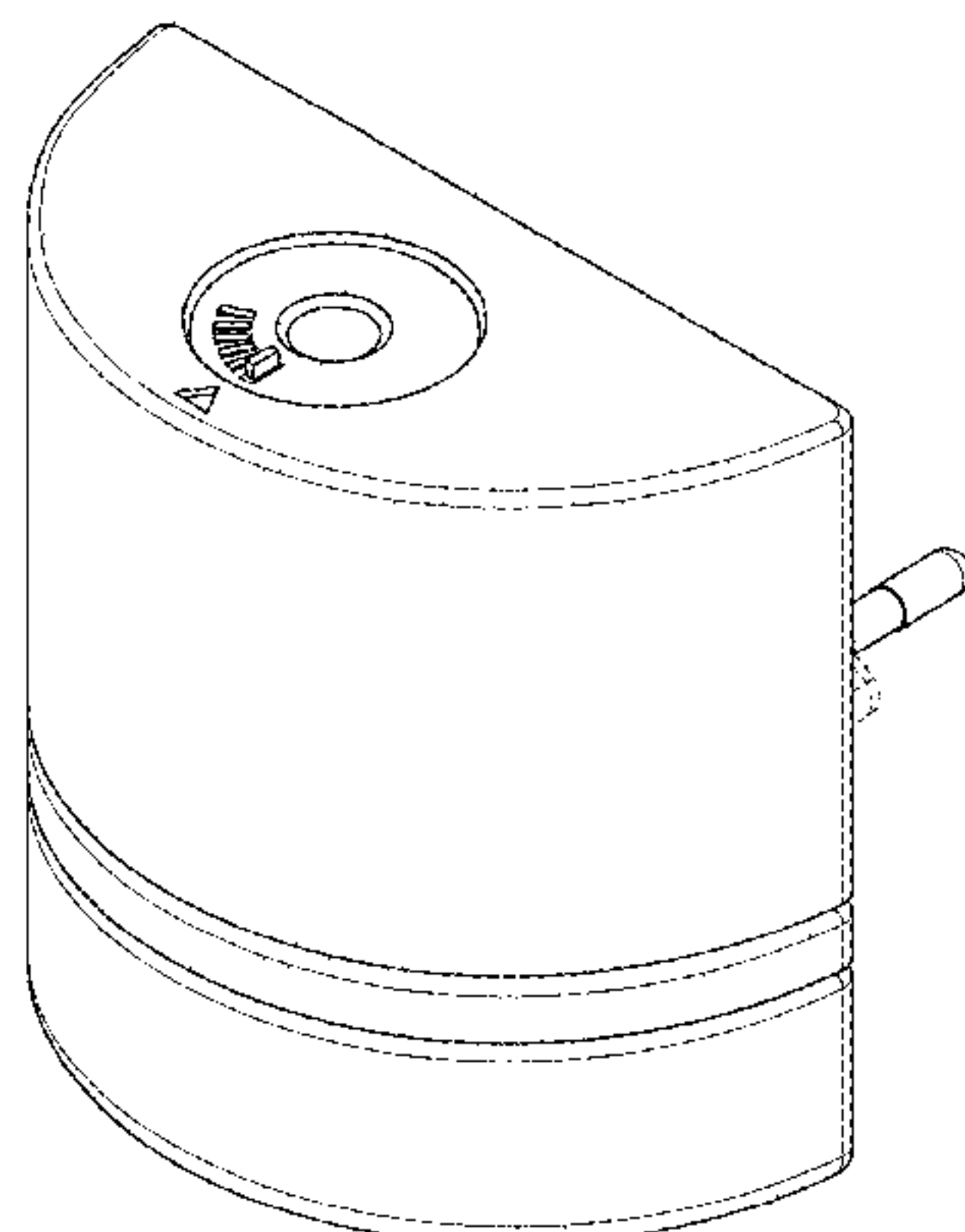
1.4 is a right side elevation view.

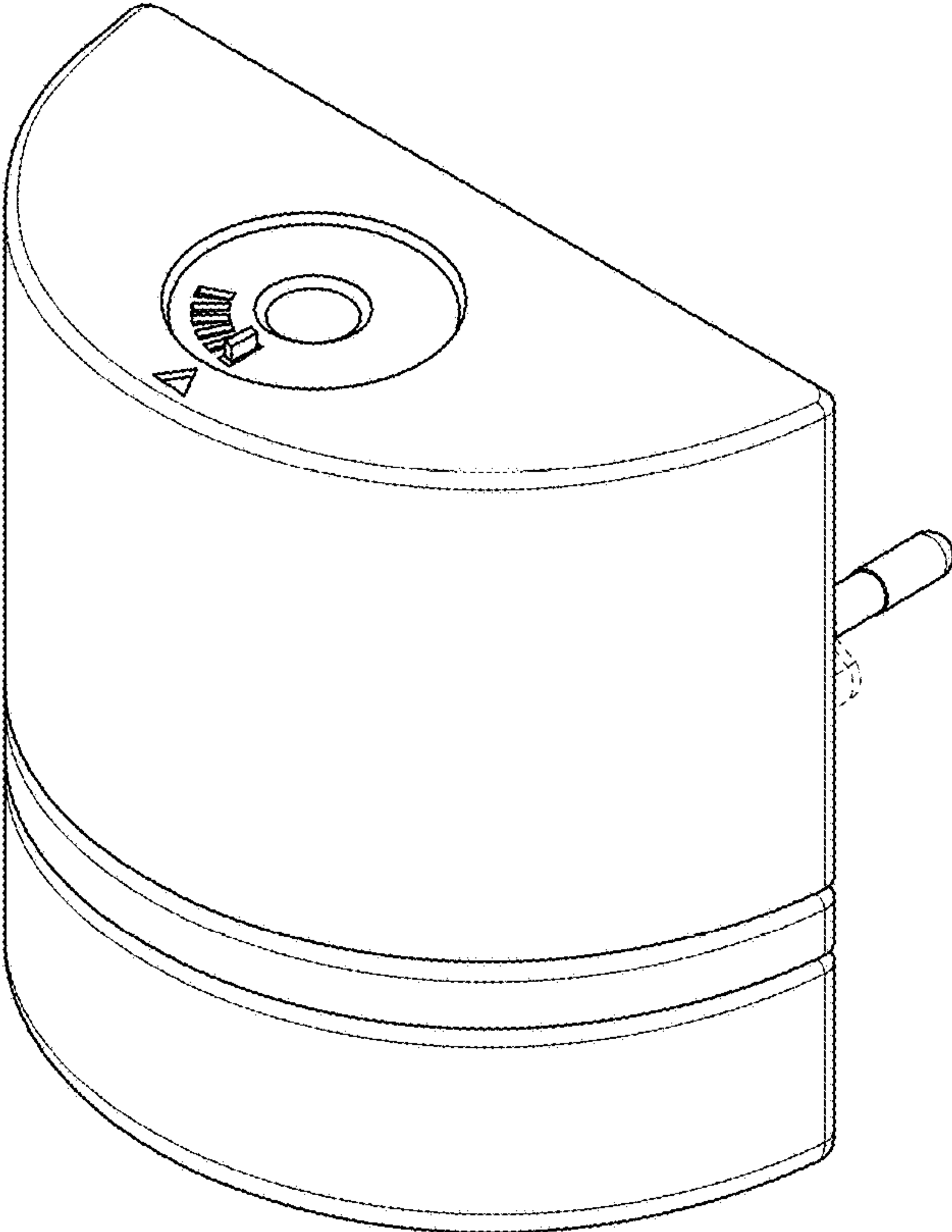
1.5 is a top plan view.

1.6 is a bottom plan view.

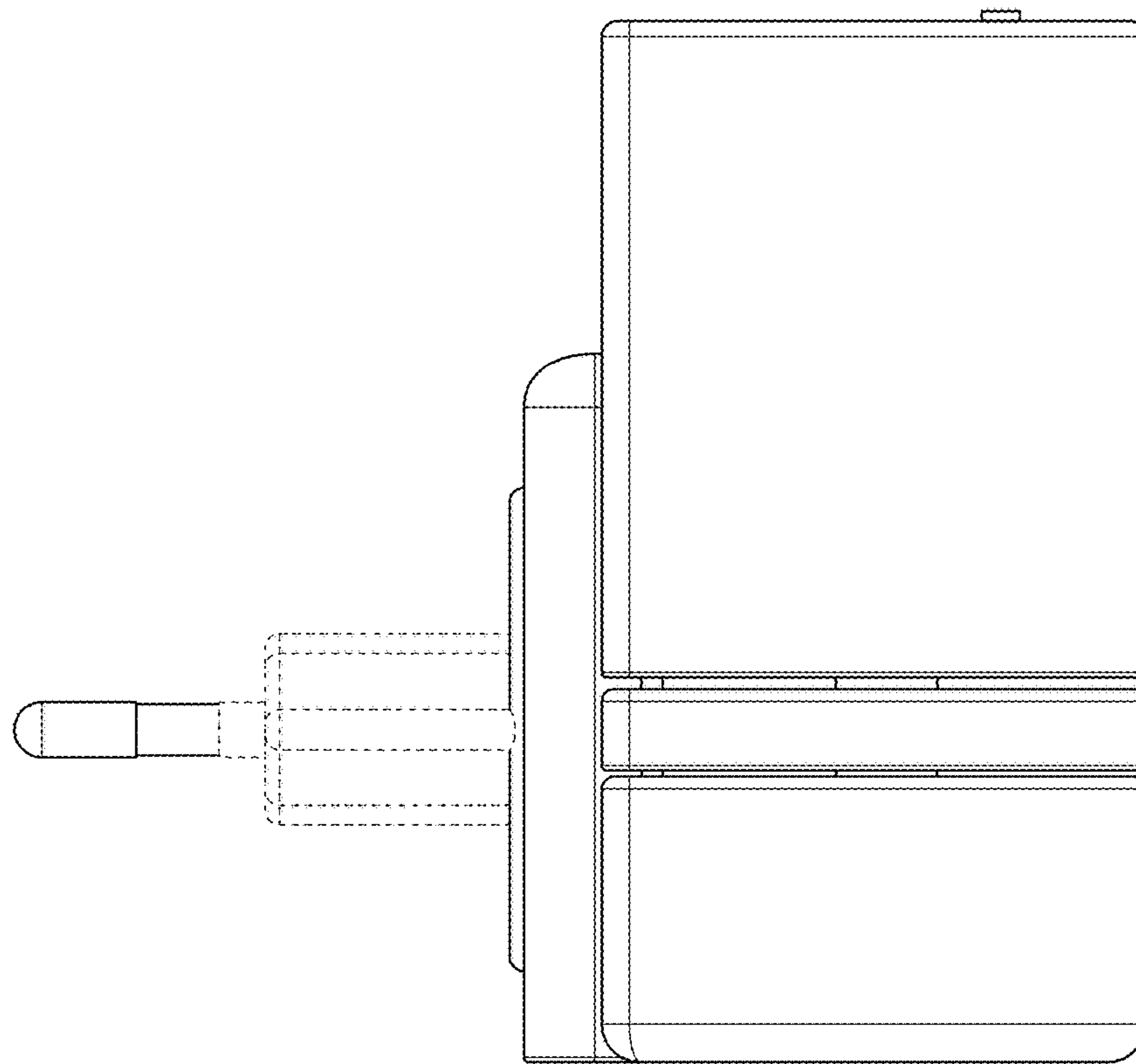
Structures illustrated in broken lines are disclaimed and do not form a part of the invention.

1 Claim, 6 Drawing Sheets

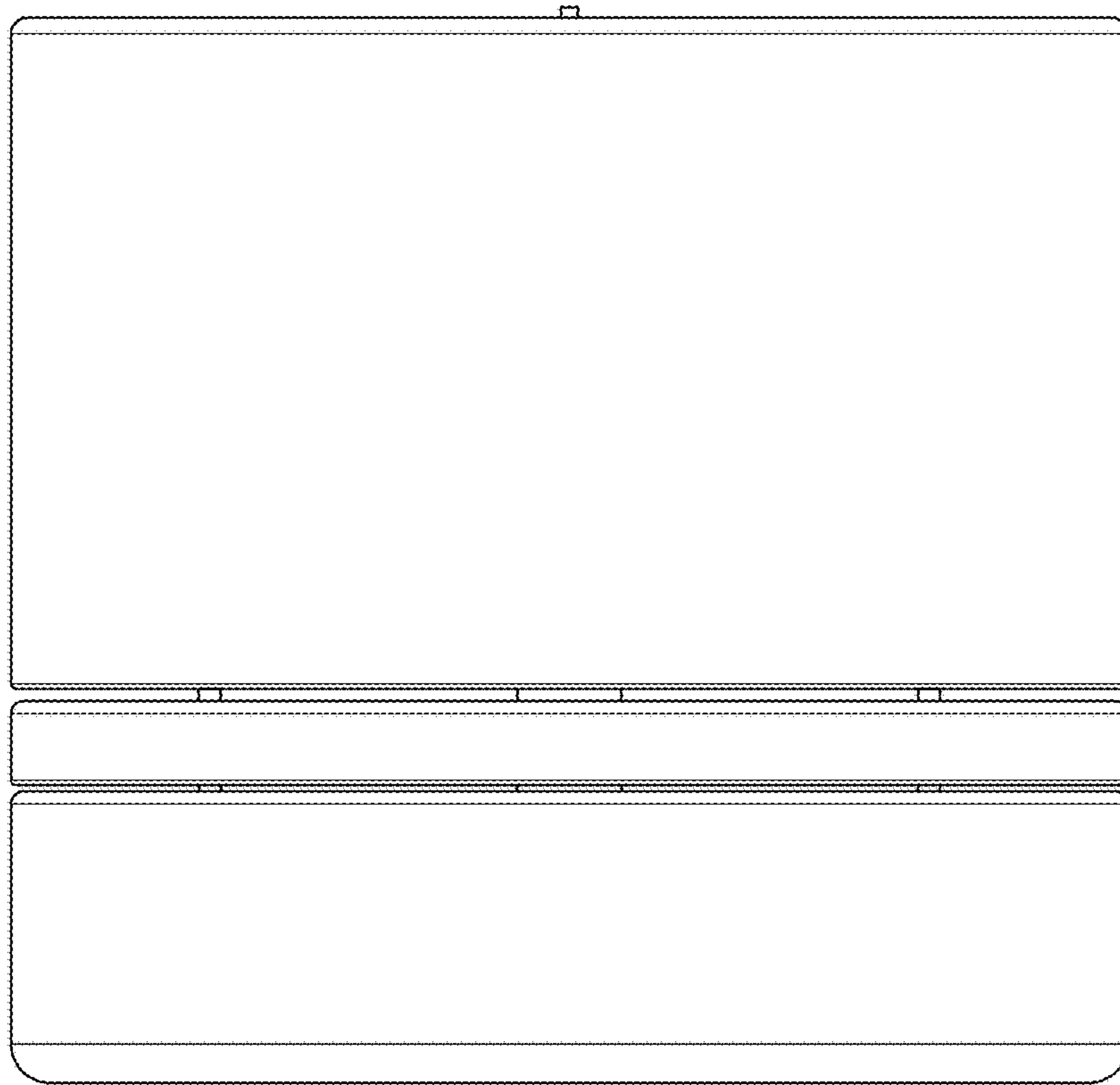




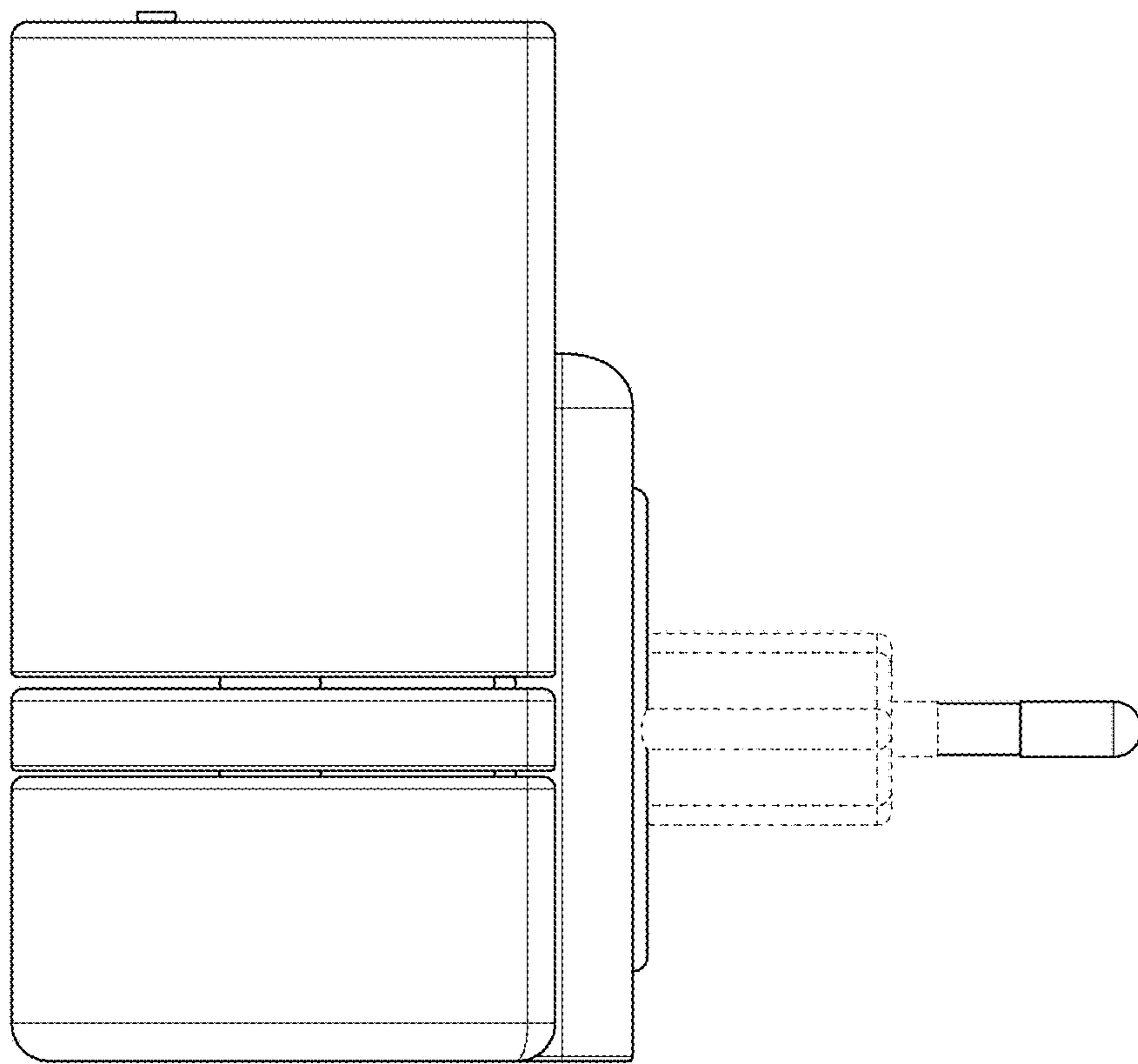
1.1



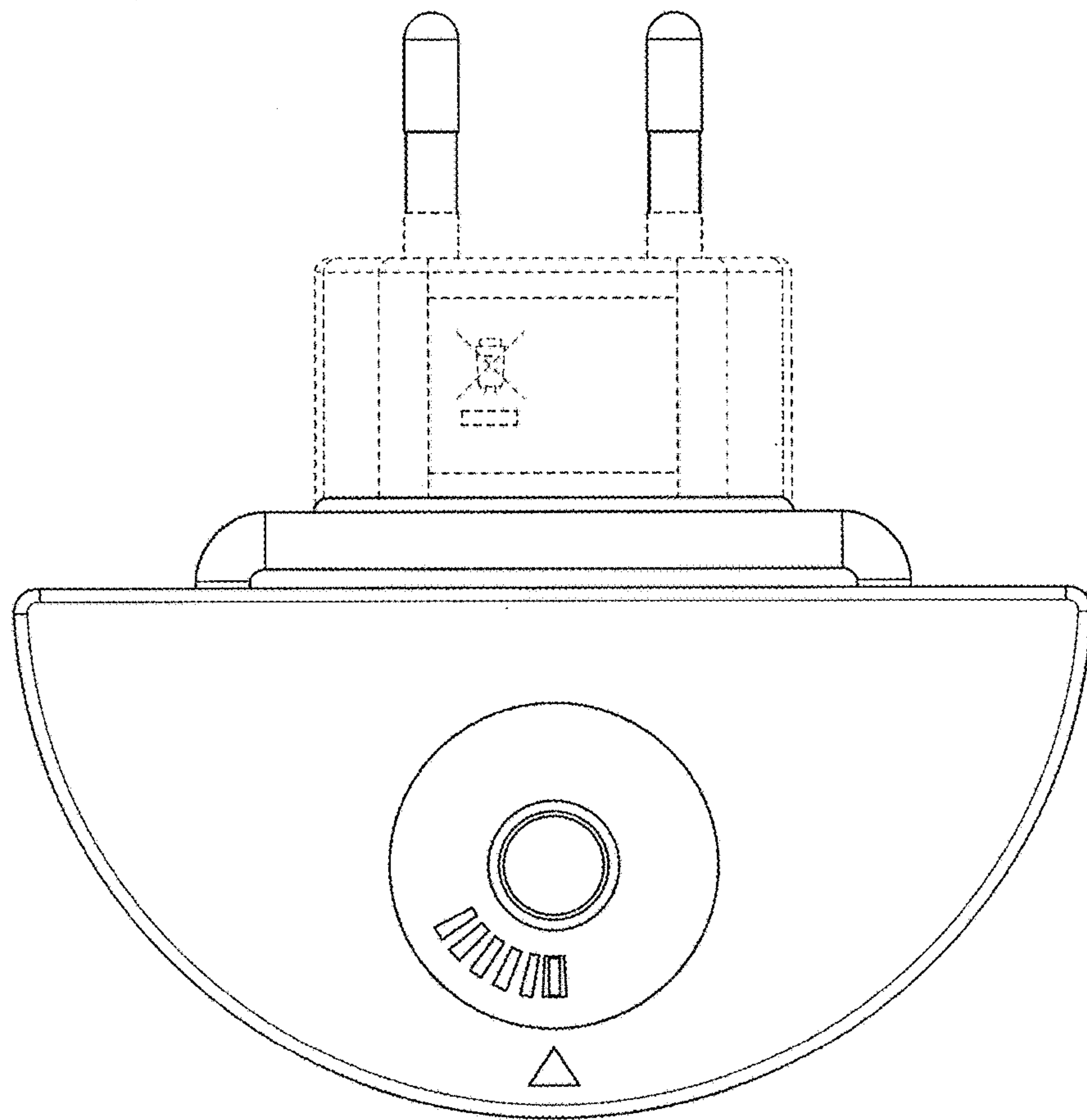
1.2



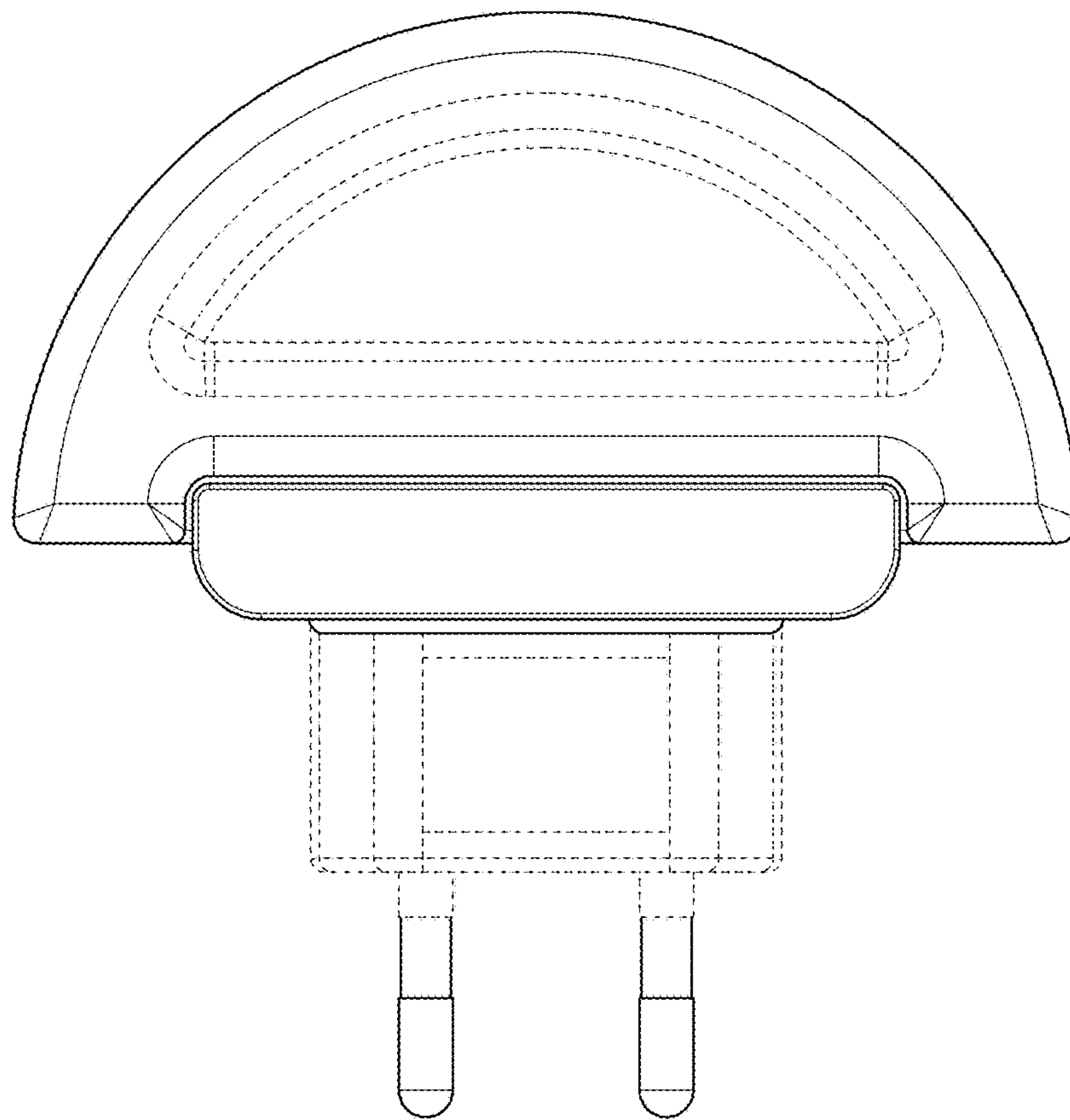
1.3



1.4



1.5



1.6