



US00D849919S

(12) **United States Design Patent** (10) **Patent No.:** **US D849,919 S**
Chen et al. (45) **Date of Patent:** **** May 28, 2019**

(54) **VEHICULAR ESSENTIAL OIL WATER OXYGEN MACHINE**
(71) Applicant: **YUDA ELECTRONICS (SHEN ZHEN). CO., LTD.**, GuangDong (CN)
(72) Inventors: **Jianmao Chen**, GuangDong (CN); **Renhui Lei**, GuangDong (CN)

(**) Term: **15 Years**

(21) Appl. No.: **29/641,580**

(22) Filed: **Mar. 22, 2018**

(30) **Foreign Application Priority Data**

Jan. 17, 2018 (CN) 2018 3 0021142

(51) **LOC (11) Cl.** **28-99**

(52) **U.S. Cl.**
USPC **D23/366**

(58) **Field of Classification Search**
USPC D15/5; D23/325, 333-336, 355-367, D23/386-388, 324; D14/204, 209.1, 210, D14/211, 212, 213-217, 221, 22
CPC . A61L 9/03; A61L 9/012; A61L 9/015; A61L 9/037; A61L 9/16; A61L 9/22; A61L 9/14; A61L 9/04; B01D 47/00; B01D 2259/4508; F24F 3/16; F24F 13/20; F24F 2001/0096; F24F 3/1405; F24F 3/1603; F24F 13/222; B05B 17/00
See application file for complete search history.

(56) **References Cited**

U.S. PATENT DOCUMENTS

D160,570 S * 10/1950 Bair D23/362
D240,829 S * 8/1976 Jones et al. D9/689

D370,704 S * 6/1996 Oberhoff D21/684
D621,494 S * 8/2010 Li D23/366
D632,378 S * 2/2011 Deflorian D23/366
D826,388 S * 8/2018 Yeung D23/356
D828,527 S * 9/2018 Xu D23/356
D828,530 S * 9/2018 Brandenburg D23/366
2012/0024902 A1* 2/2012 Westphal B65D 83/386
222/183
2017/0119919 A1* 5/2017 Hsiao A61M 11/005

* cited by examiner

Primary Examiner — T Chase Nelson

Assistant Examiner — Ania Aman

(74) *Attorney, Agent, or Firm* — Prakash Nama; Global IP Services, PLLC

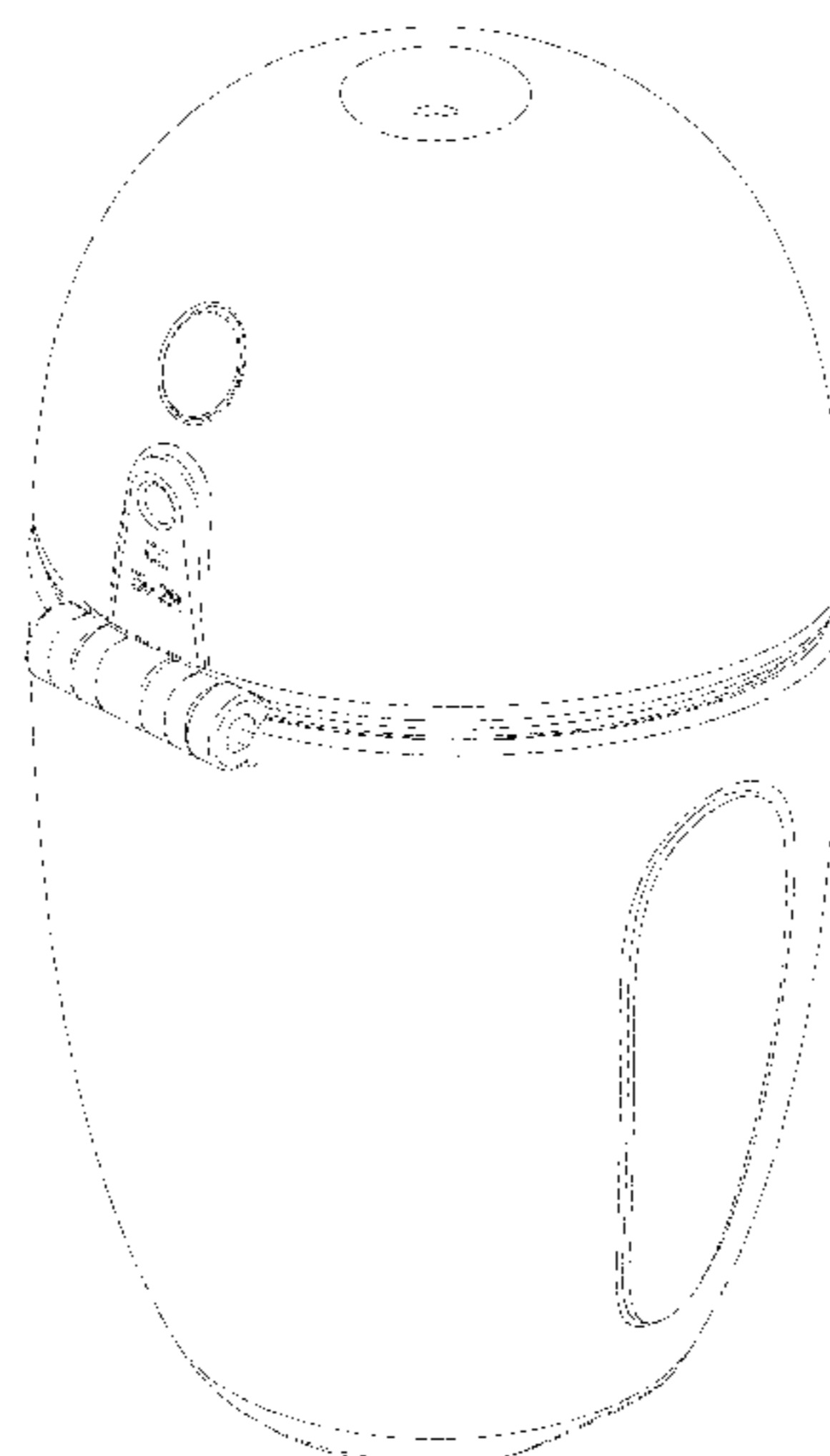
(57) **CLAIM**

The ornamental design for a vehicular essential oil water oxygen machine, as shown.

DESCRIPTION

FIG. 1 is a front elevational view of a vehicular essential oil water oxygen machine showing our new design;
FIG. 2 is a rear elevational view thereof;
FIG. 3 is a left side view in a reduce scale thereof;
FIG. 4 is a right side view in a reduce scale thereof;
FIG. 5 is a top plan view in an enlarge scale thereof;
FIG. 6 is a bottom plan view in an enlarge scale thereof;
FIG. 7 is a perspective view thereof;
FIG. 8 is a second perspective view thereof; and,
FIG. 9 is a third perspective view thereof.

1 Claim, 9 Drawing Sheets



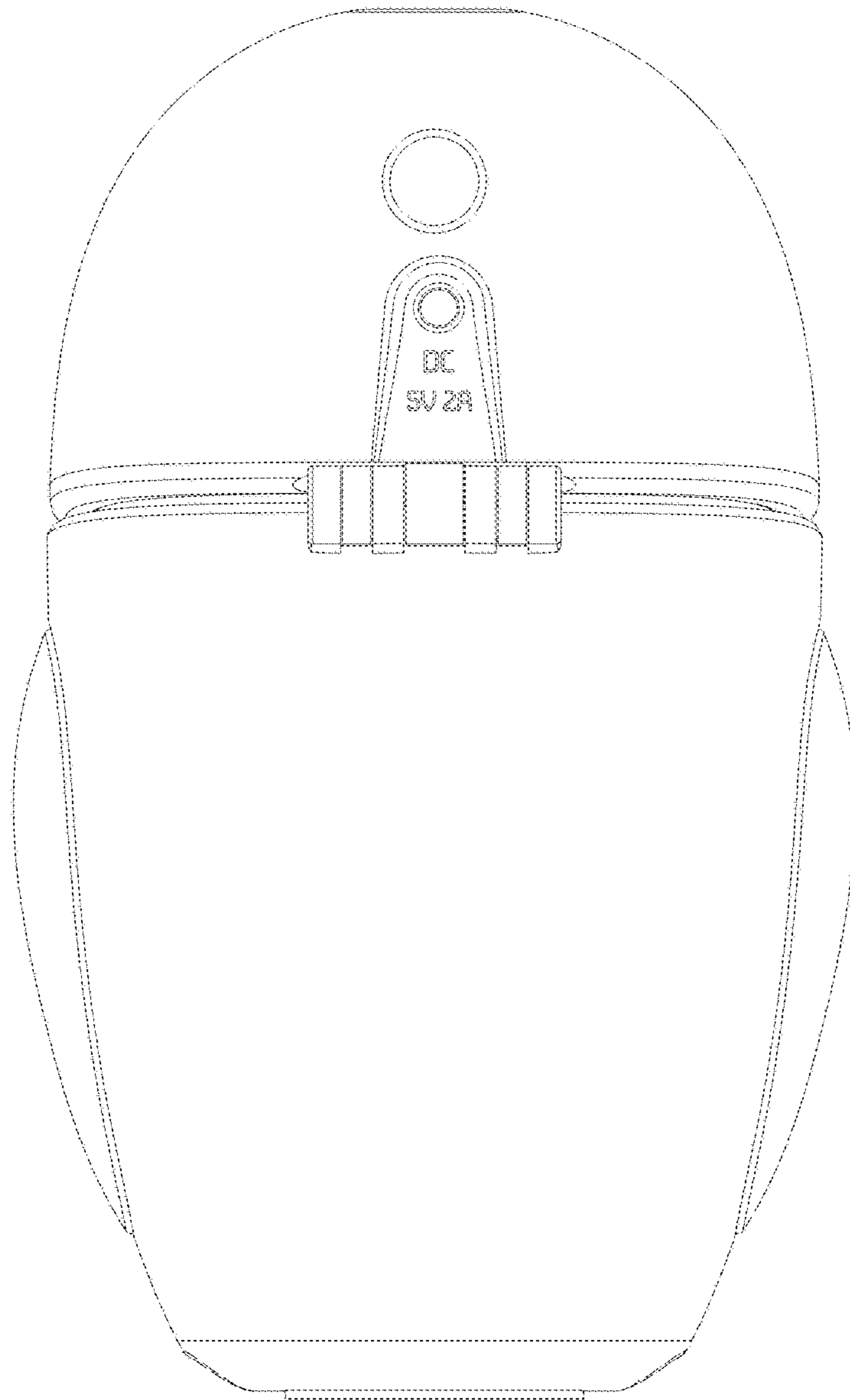


FIG. 1



FIG. 2

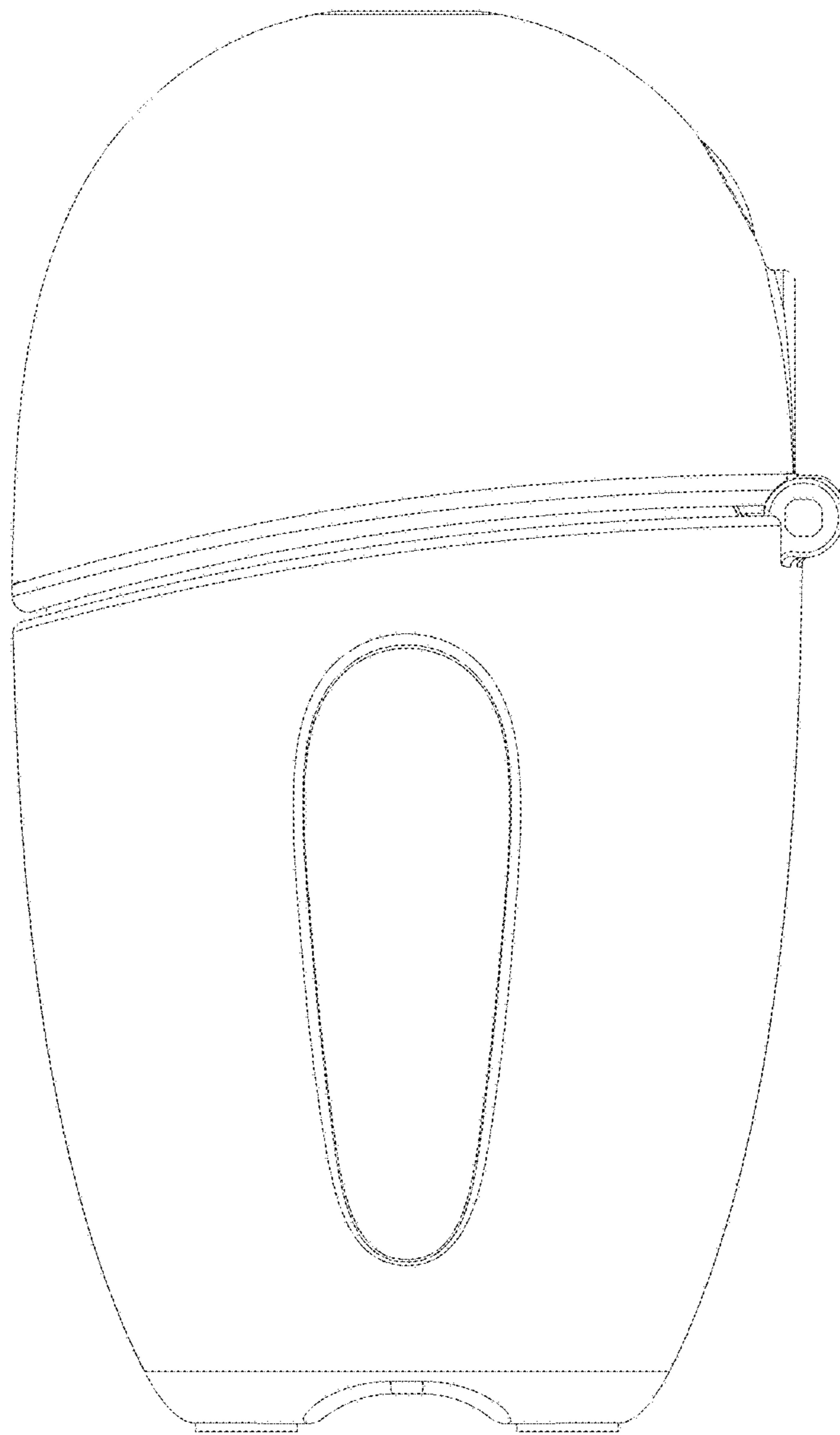


FIG. 3

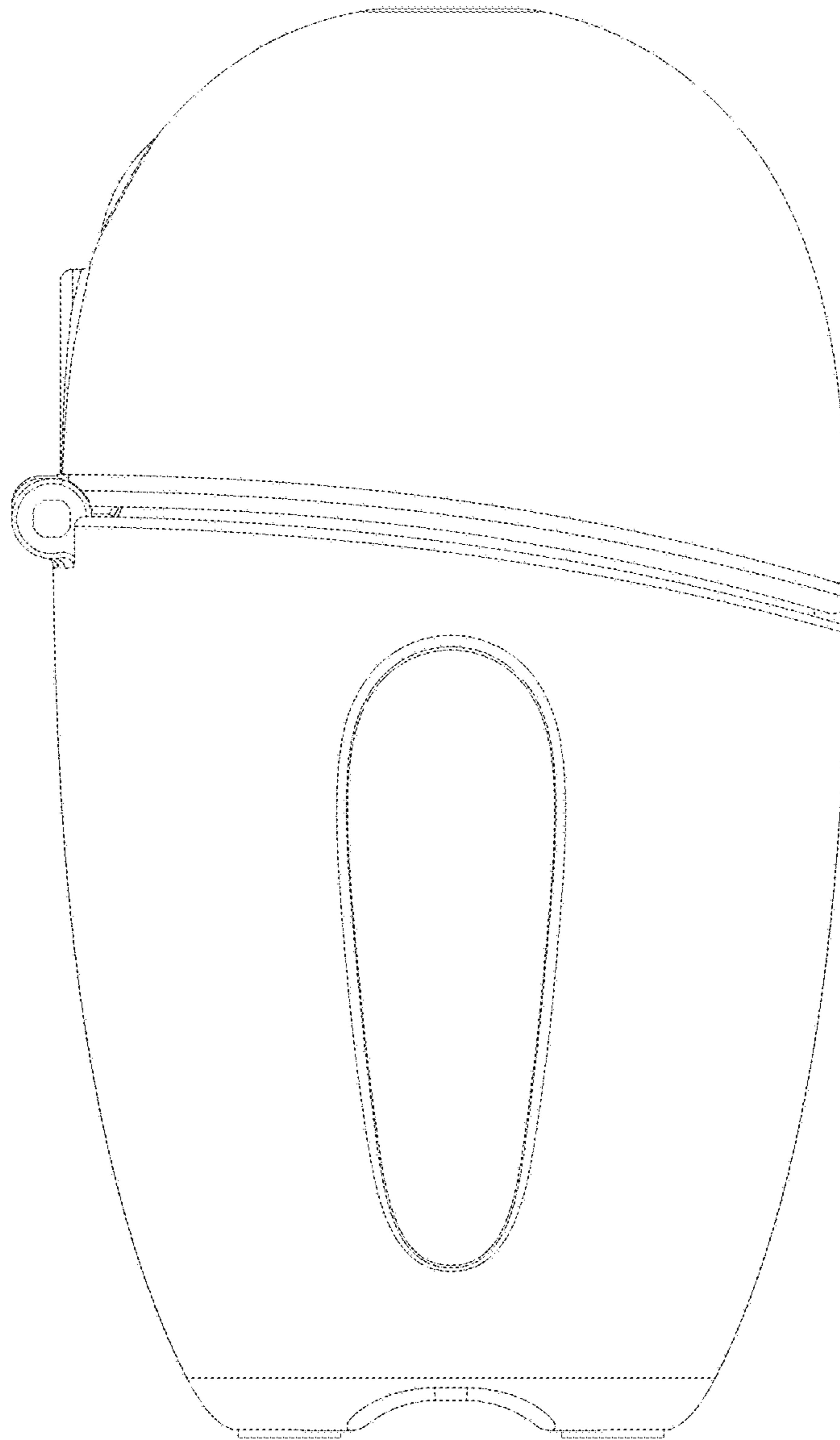


FIG. 4

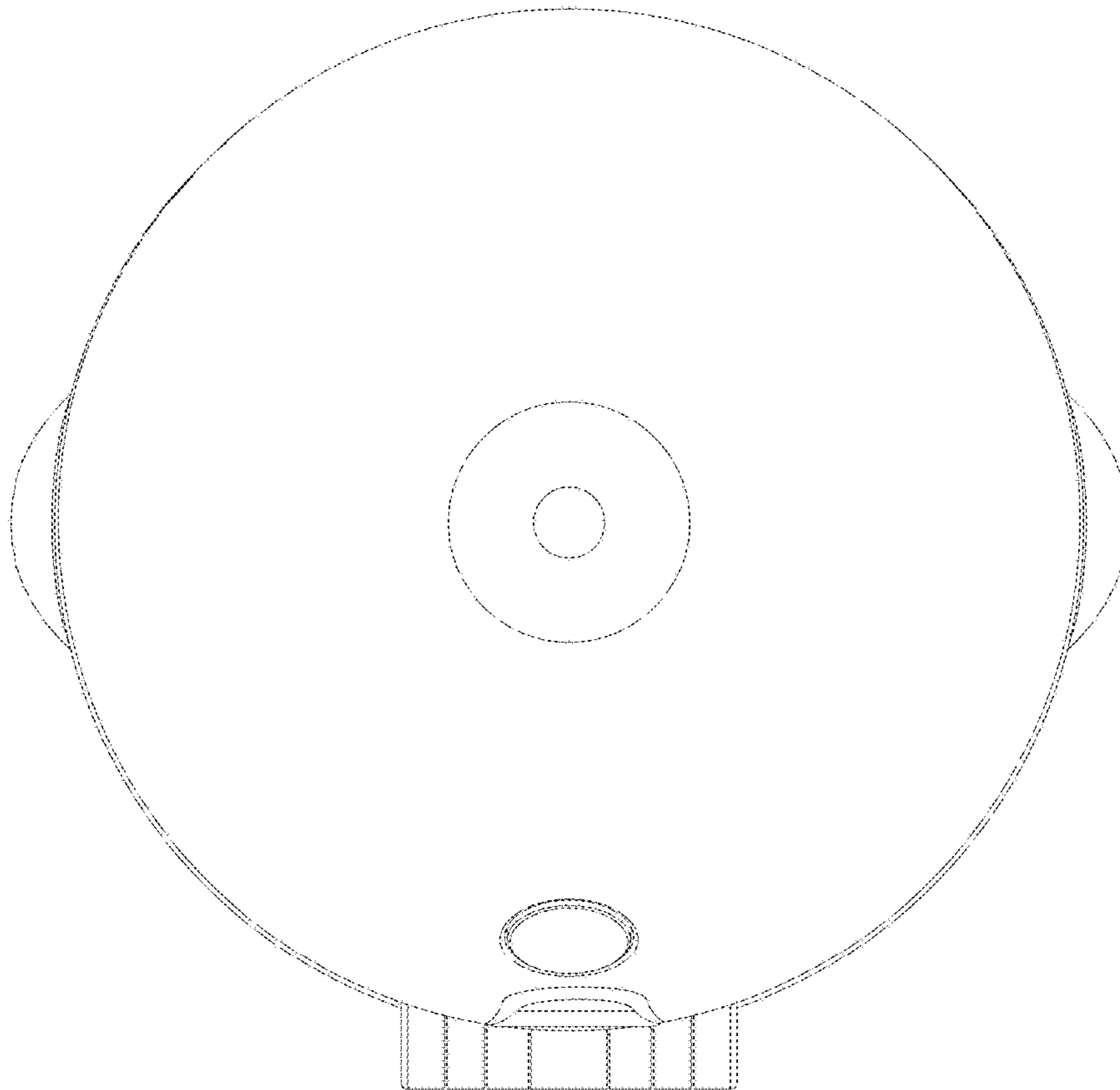


FIG. 5

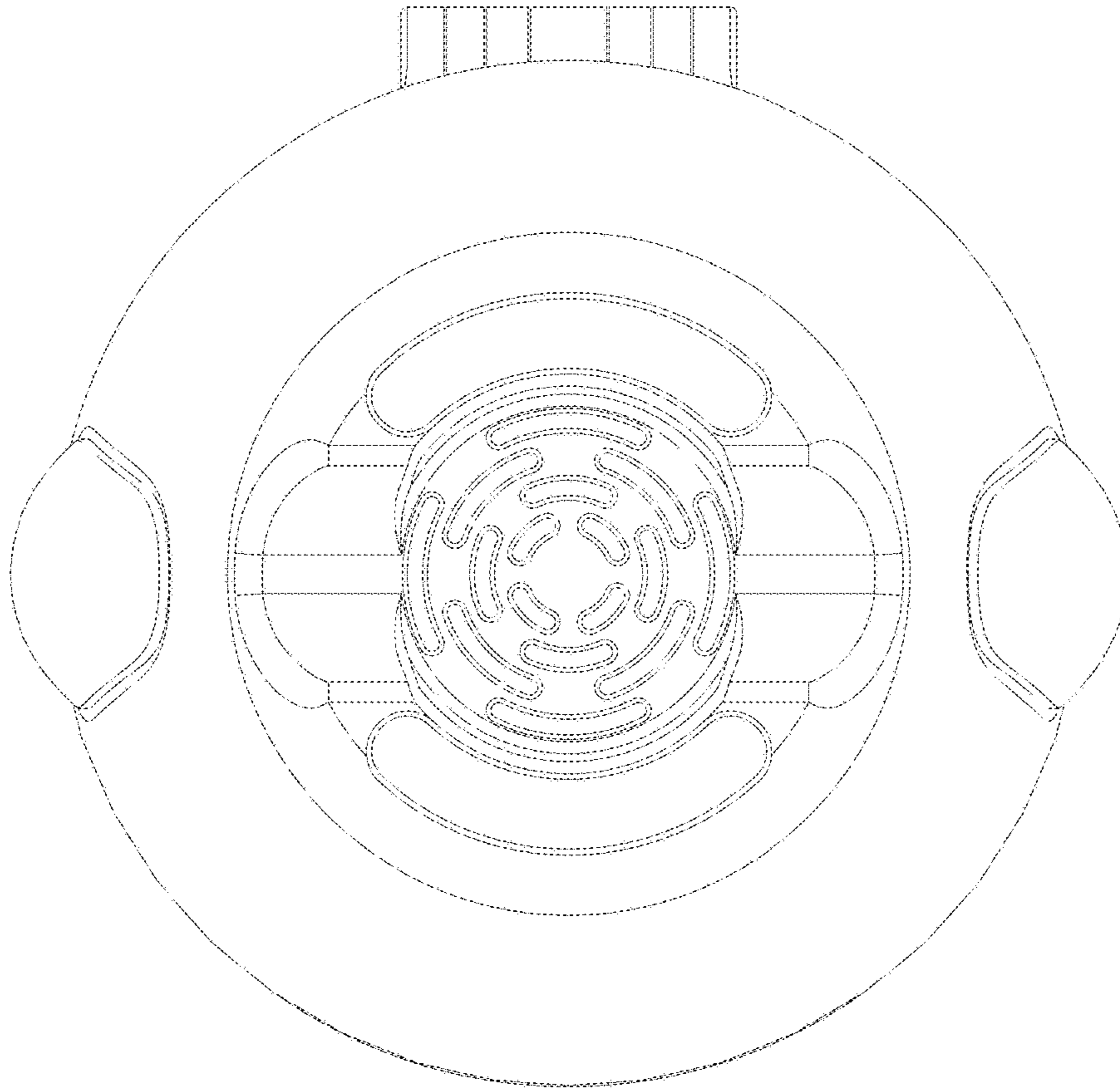


FIG. 6

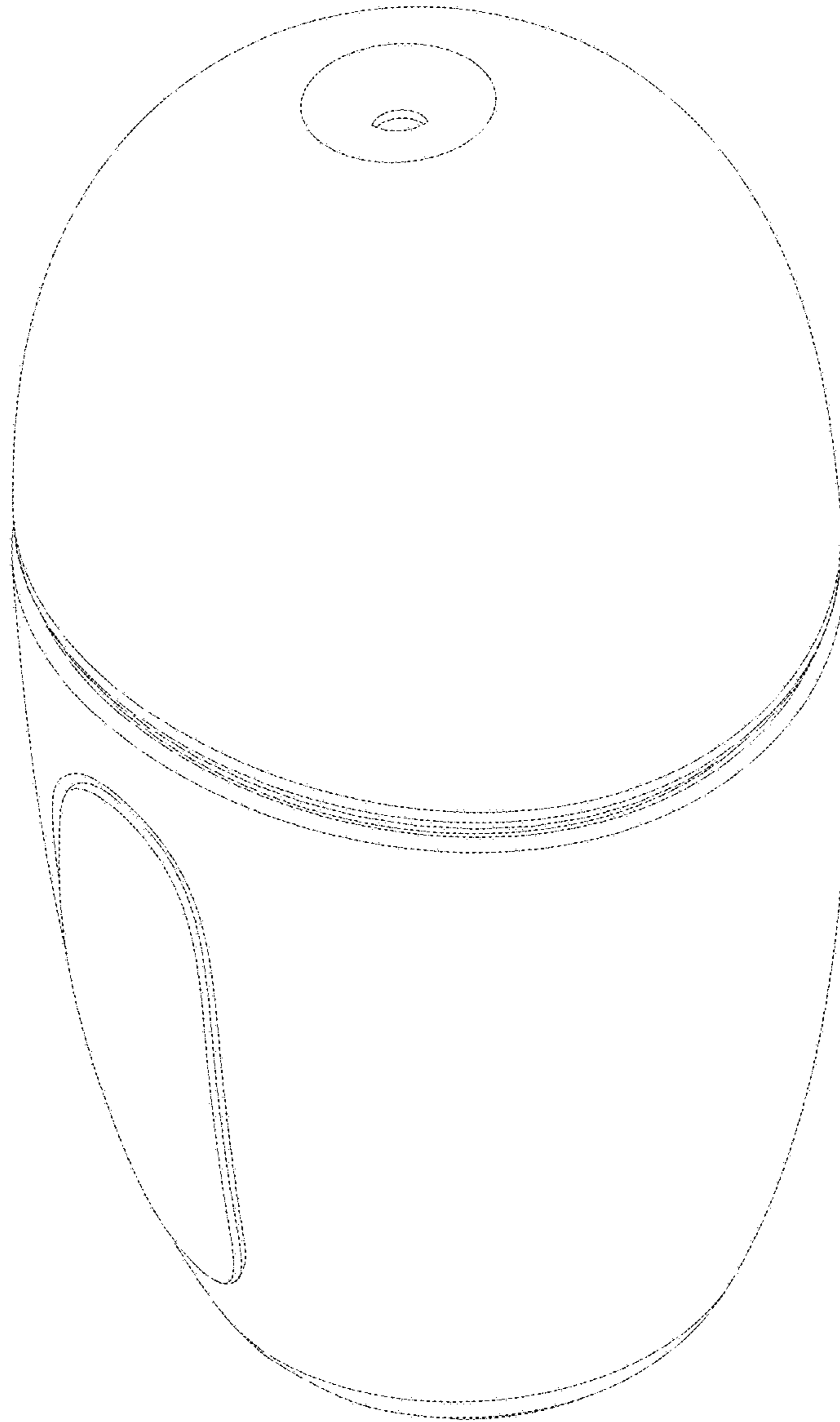


FIG. 7

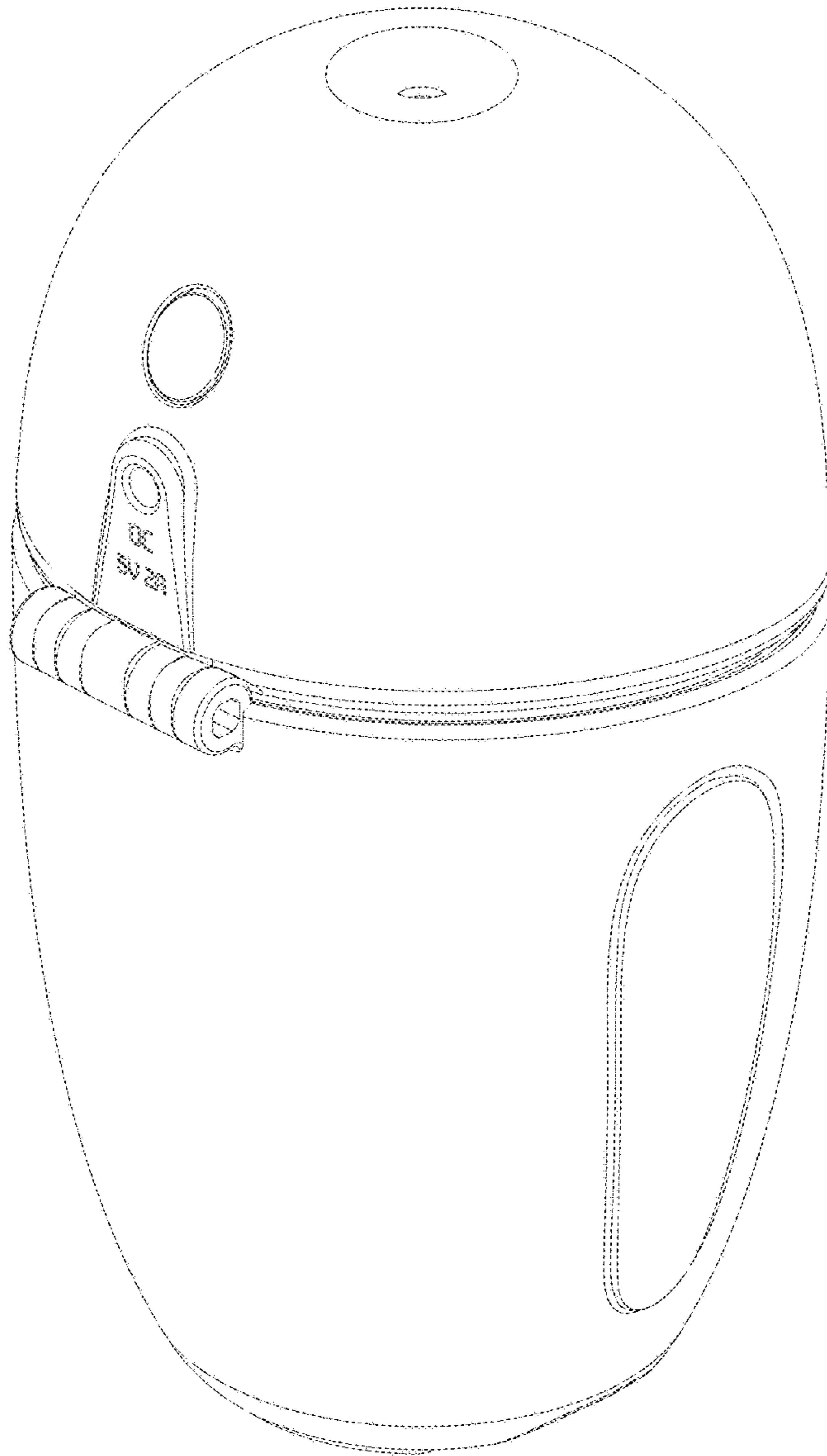


FIG. 8

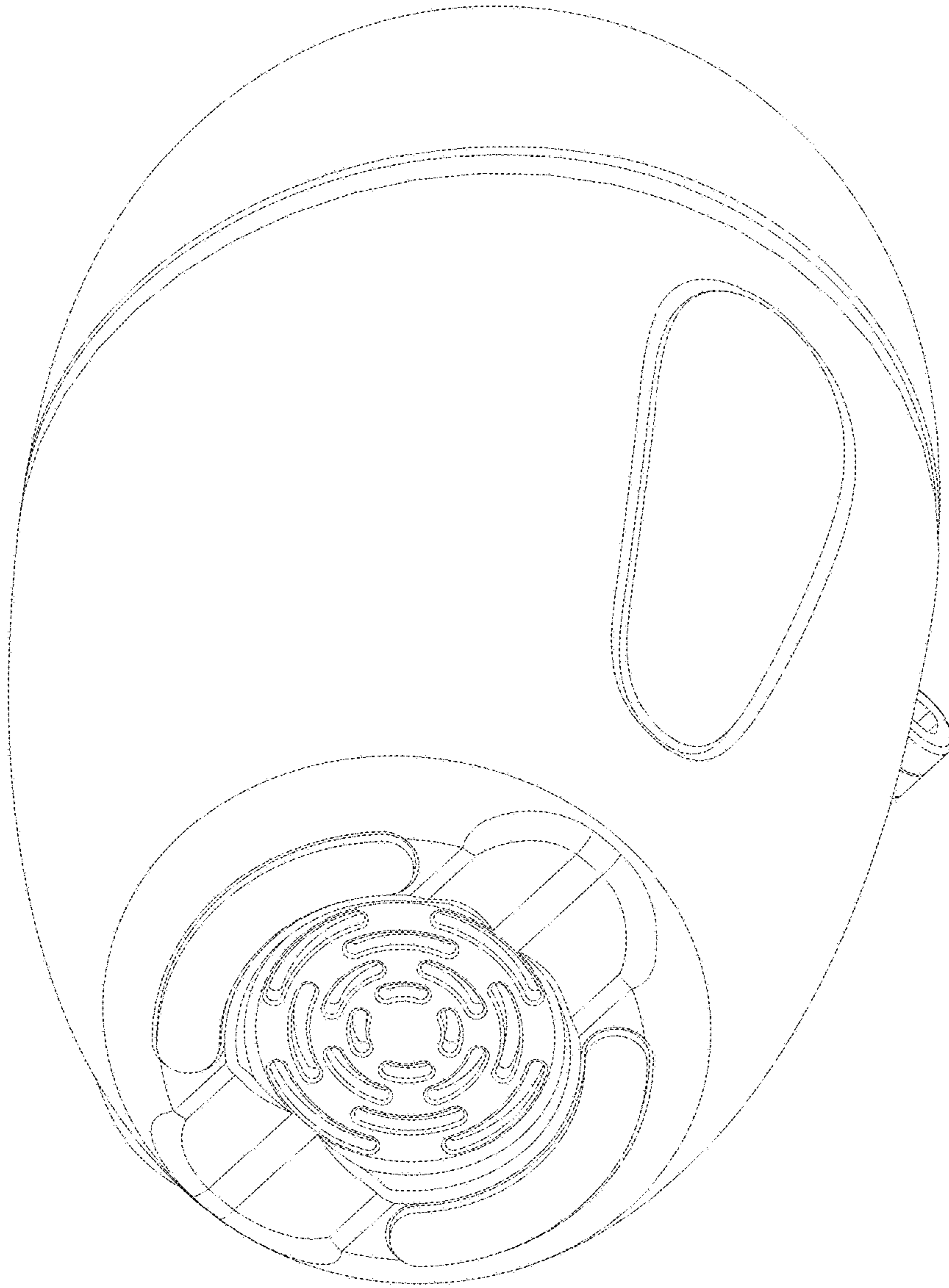


FIG. 9