



US00D849908S

(12) **United States Design Patent**
Wu

(10) **Patent No.:** **US D849,908 S**

(45) **Date of Patent:** **** May 28, 2019**

(54) **OVEN**

(71) Applicant: **Yongjie Wu**, Zhejiang (CN)

(72) Inventor: **Yongjie Wu**, Zhejiang (CN)

(**) Term: **15 Years**

(21) Appl. No.: **29/638,583**

(22) Filed: **Feb. 28, 2018**

(51) **LOC (11) Cl.** **23-03**

(52) **U.S. Cl.**
USPC **D23/343; D7/332**

(58) **Field of Classification Search**
USPC D23/332, 314, 343, 348, 350, 346, 342,
D23/347, 372; D7/332-337, 402-405,
D7/352, 408
CPC F24C 1/16; F24C 5/00; F24C 3/14; A47J
33/00; A47J 37/0763; A47J 37/07; F24B
1/18; F24B 1/182; F24B 1/1808; F24B
1/181; F24B 1/195; F24B 1/191
See application file for complete search history.

(56) **References Cited**

U.S. PATENT DOCUMENTS

- 3,489,131 A * 1/1970 Richins F24B 1/205
126/9 R
- D251,385 S * 3/1979 Zimmer D23/343
- D275,516 S * 9/1984 Perrin, Sr. D23/343

- D539,071 S * 3/2007 O'Brien D7/333
- 8,061,348 B1 * 11/2011 Rodriguez F24B 1/182
126/1 B
- D688,507 S * 8/2013 Hill D7/323
- D693,166 S * 11/2013 Measom D7/350.1
- D710,982 S * 8/2014 Baril D23/314
- D715,084 S * 10/2014 Hill D7/332
- D720,569 S * 1/2015 Hill D7/334
- D775,489 S * 1/2017 Zemel D7/332
- D820,026 S * 6/2018 Russo Krauss D7/339
- 2001/0035176 A1 * 11/2001 Bush, III A47J 37/0704
126/25 R
- 2007/0221191 A1 * 9/2007 O'Brien A47J 37/0713
126/25 R

* cited by examiner

Primary Examiner — T Chase Nelson

Assistant Examiner — Ania Aman

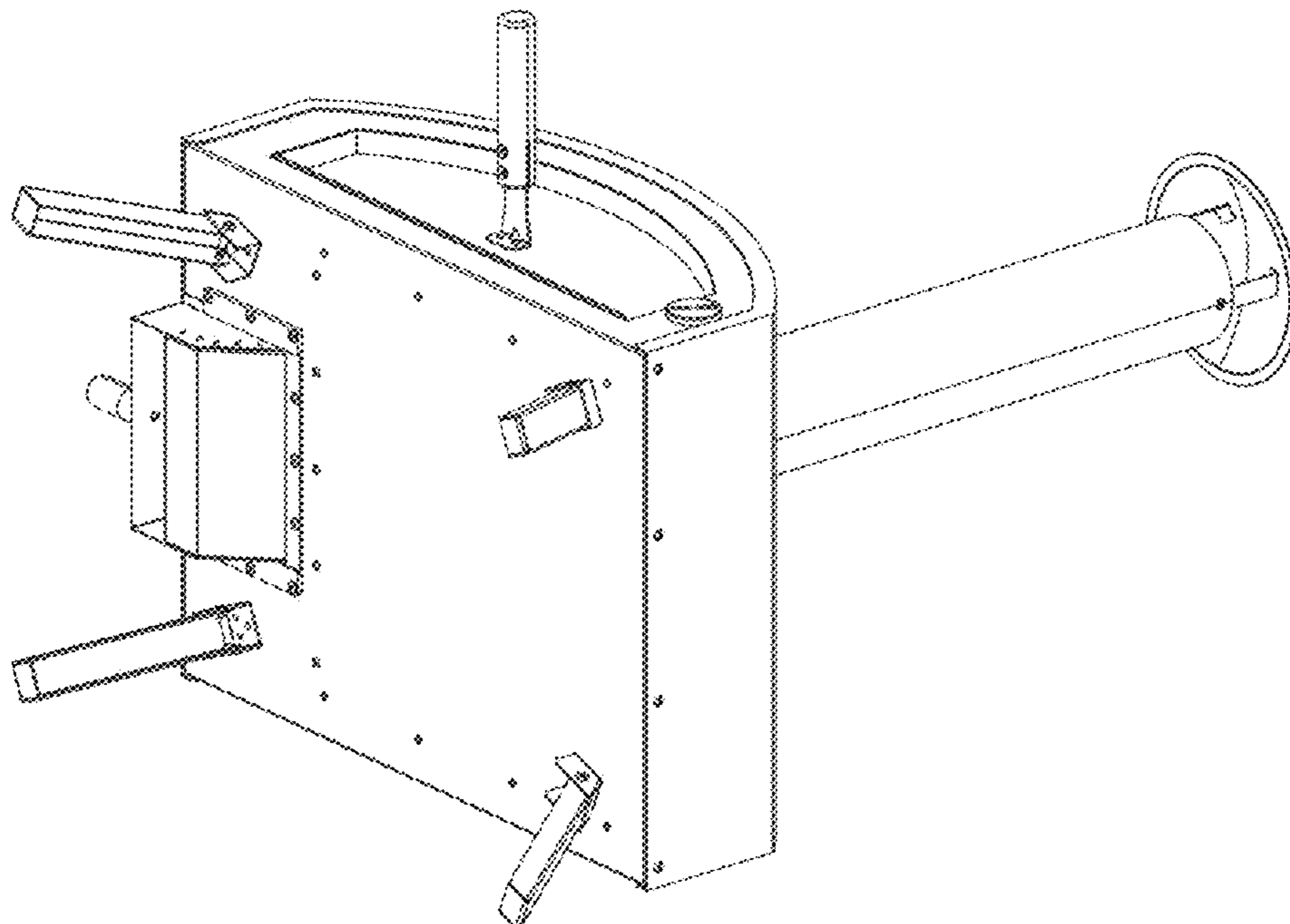
(57) **CLAIM**

The ornamental design for an oven, as shown and described.

DESCRIPTION

FIG. 1 is a perspective view of an oven showing my new design;
 FIG. 2 is a front side view thereof;
 FIG. 3 is a rear side view thereof;
 FIG. 4 is a right side view thereof;
 FIG. 5 is a left side view thereof;
 FIG. 6 is a bottom plan view thereof; and,
 FIG. 7 is a top plan view thereof.

1 Claim, 7 Drawing Sheets



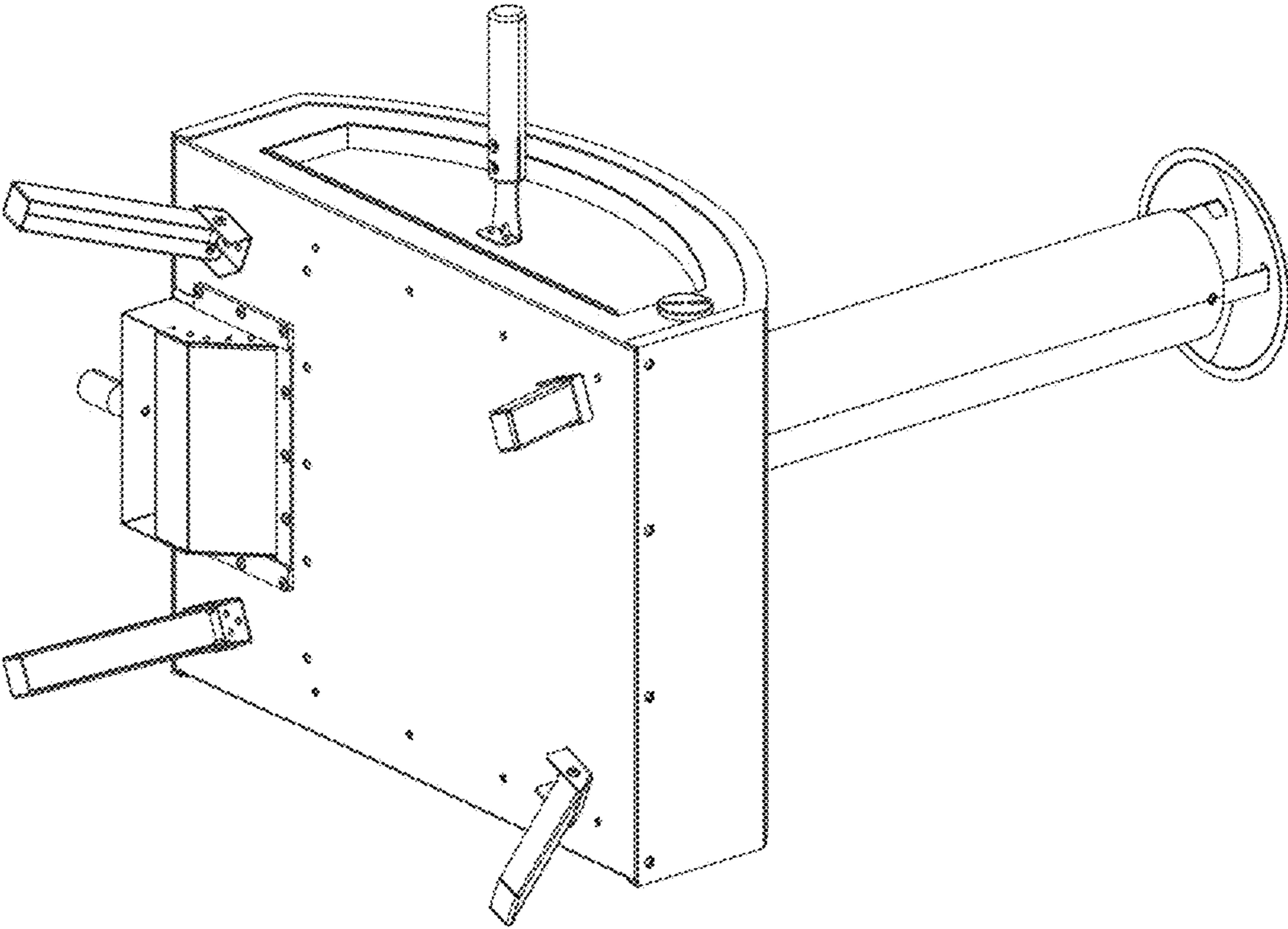


FIG. 1

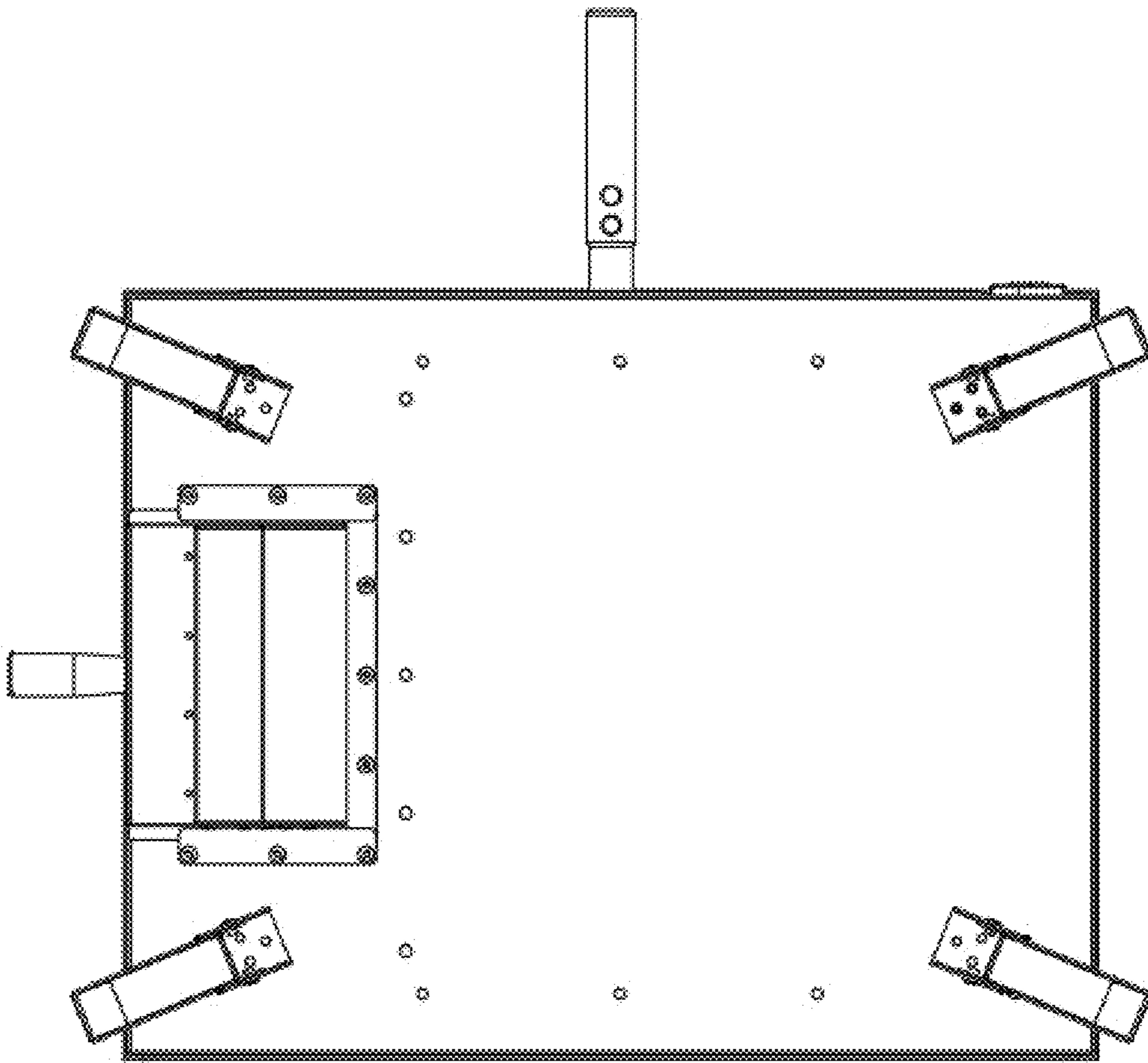


FIG. 2

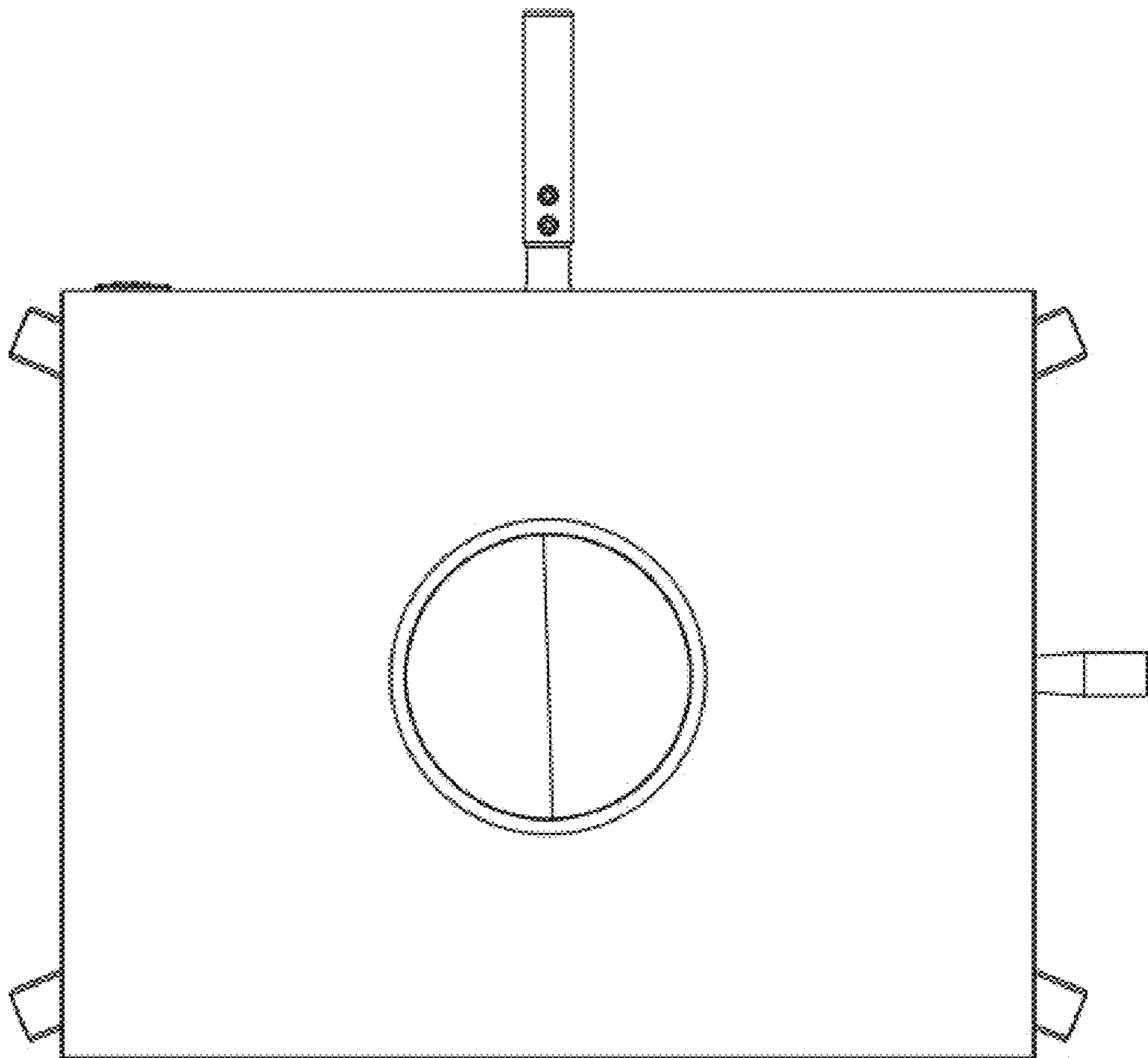


FIG. 3

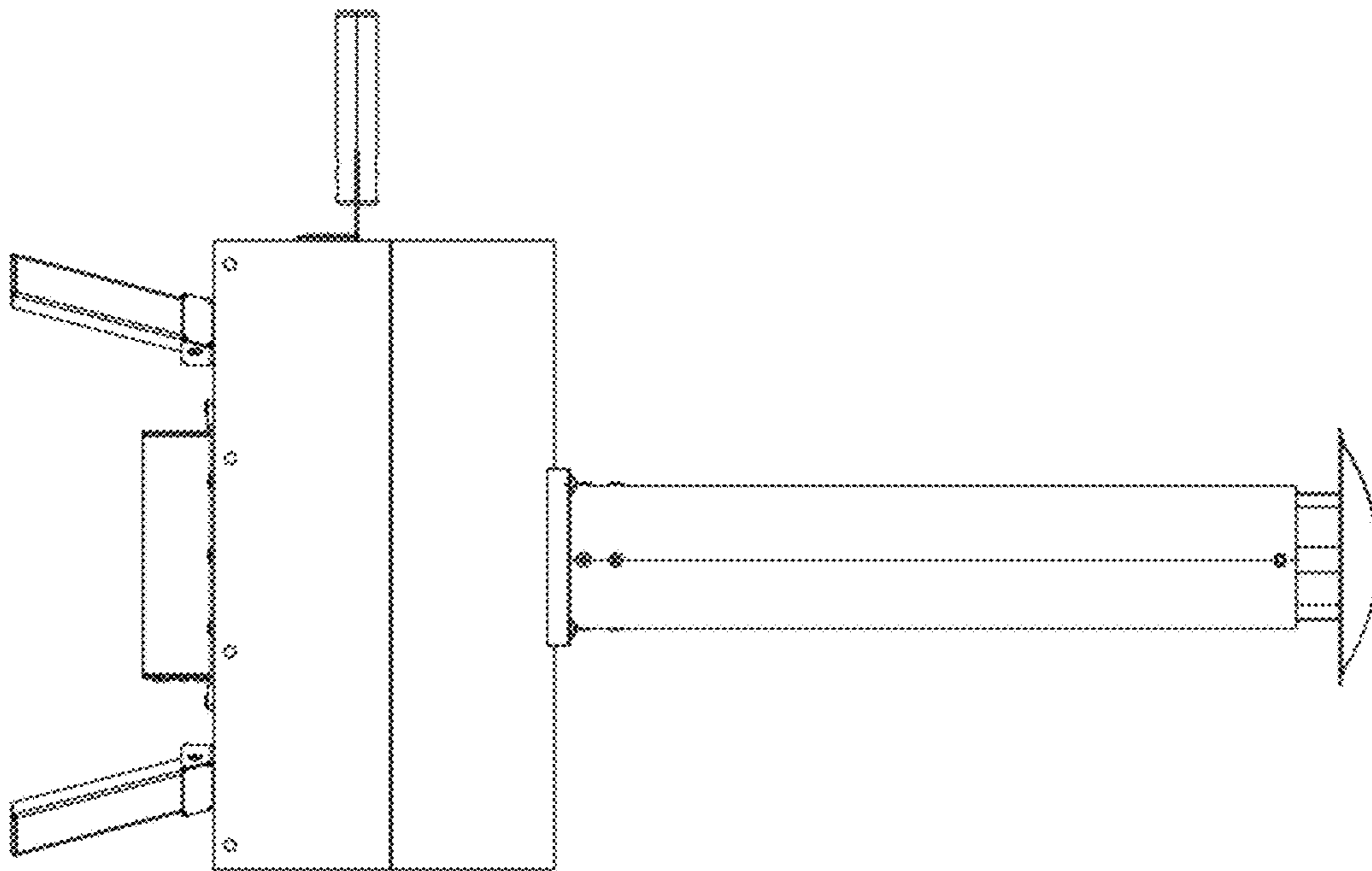


FIG. 4

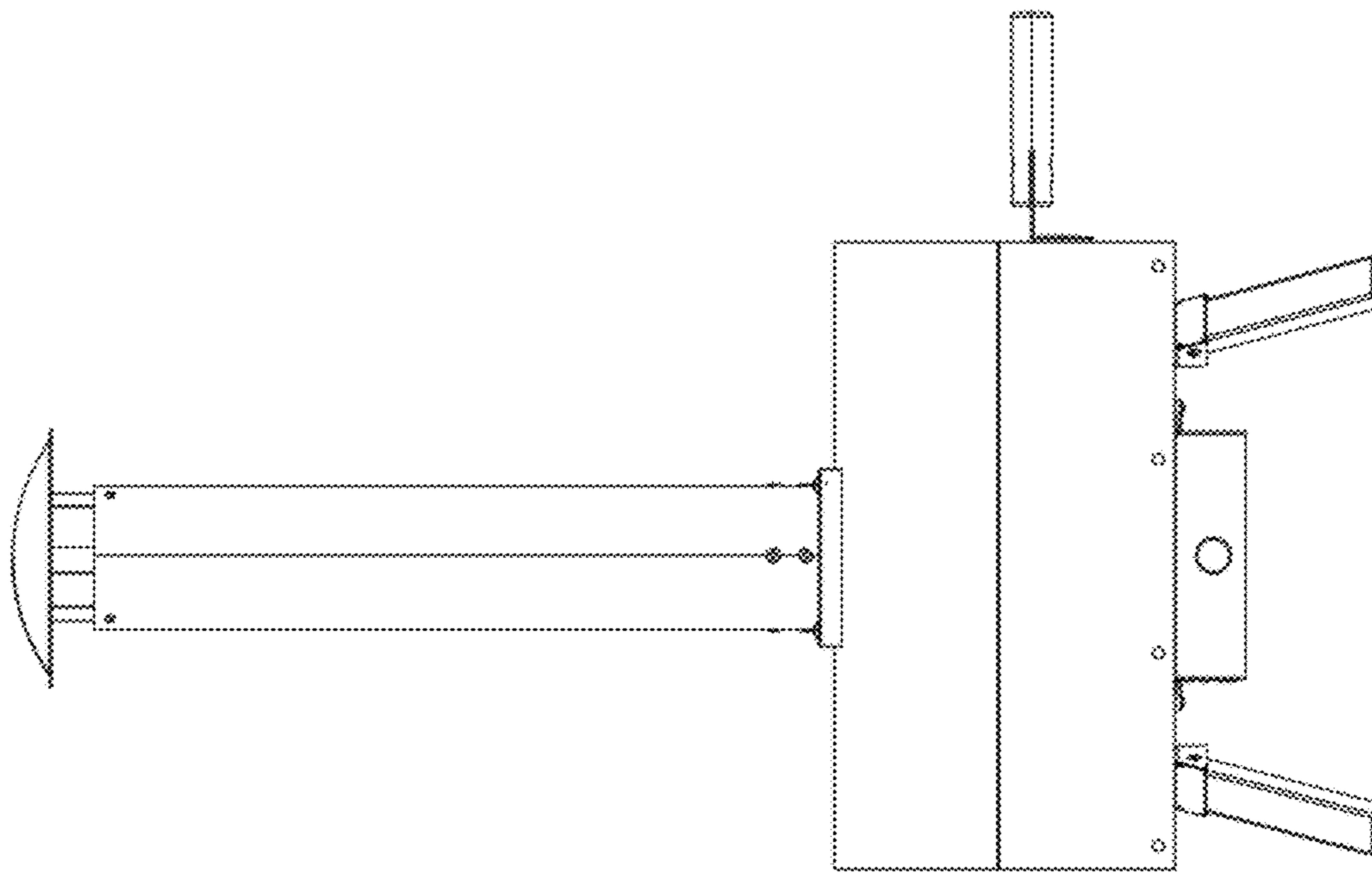


FIG. 5

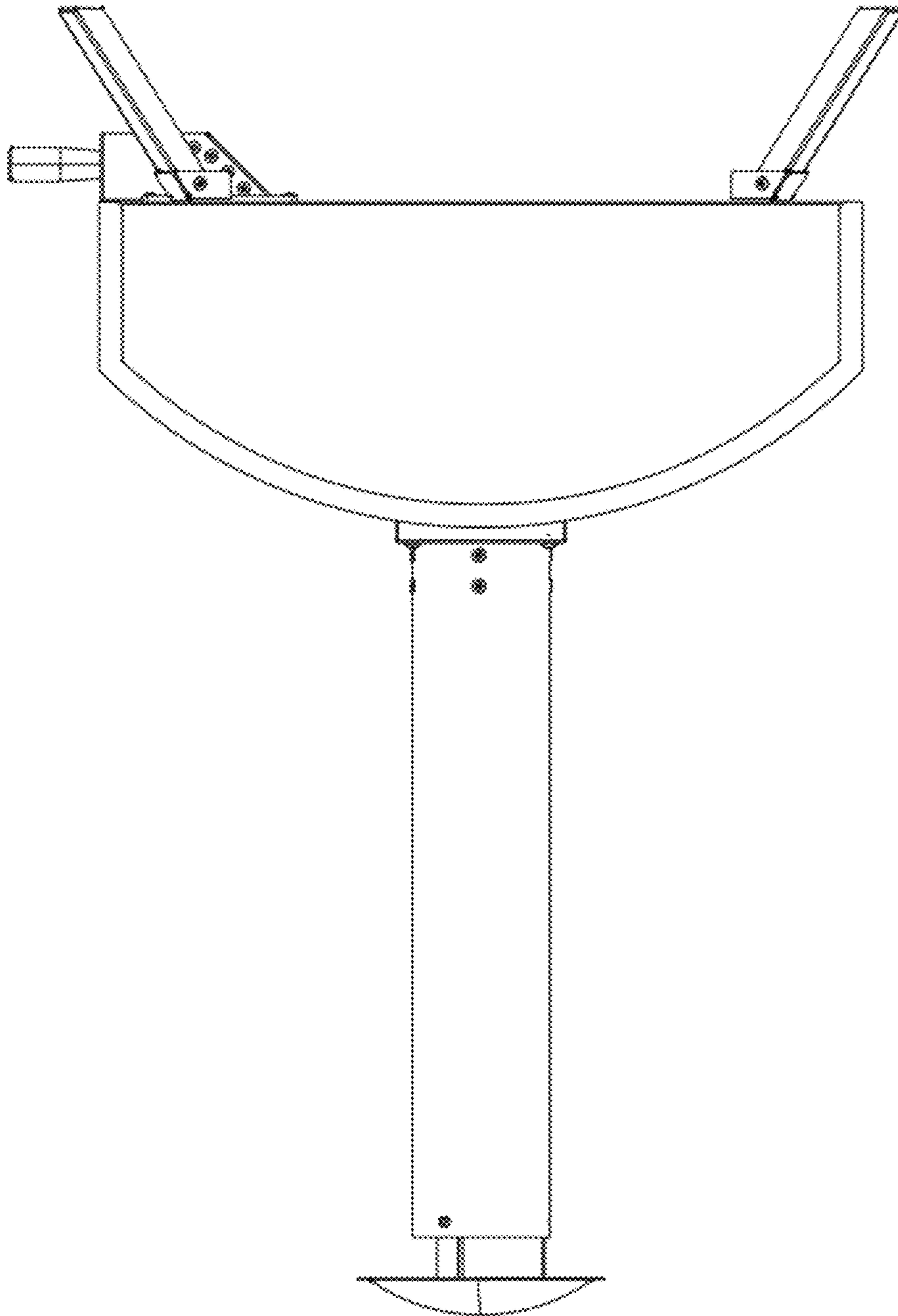


FIG. 6

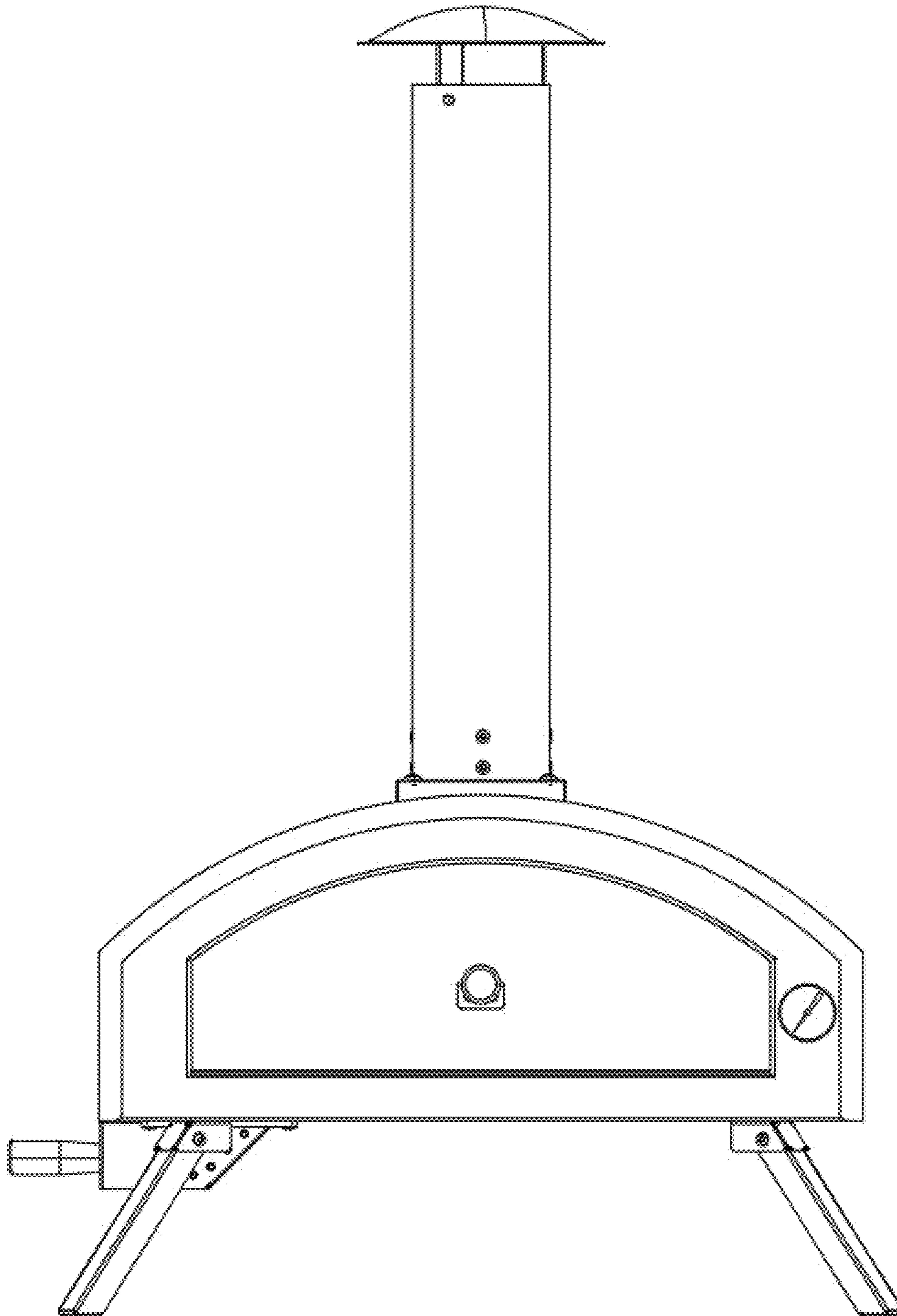


FIG. 7