

US00D849899S

(12) **United States Design Patent** (10) **Patent No.:** **US D849,899 S**  
**Bryant et al.** (45) **Date of Patent:** **\*\* May 28, 2019**

- (54) **FLOW-THROUGH PIPING CAP**
- (71) Applicant: **Dobber Industries, LLC—Patent Series**, Cleveland, TX (US)
- (72) Inventors: **Darwin Bryant**, Cleveland, TX (US); **Jerrold Harrell**, Conroe, TN (US)
- (73) Assignee: **Dobber Industries, LLC—Patent Series**, Conroe, TX (US)
- (\*\*) Term: **15 Years**
- (21) Appl. No.: **29/644,184**
- (22) Filed: **Apr. 16, 2018**

- D419,652 S \* 1/2000 Hall ..... D23/259
- D463,537 S \* 9/2002 Koza ..... D23/233
- D545,404 S \* 6/2007 Nightlinger ..... D23/260
- D545,405 S \* 6/2007 Nightlinger ..... D23/260
- 7,624,756 B1 \* 12/2009 Coogle ..... F24F 13/222
- 137/240
- 2011/0132817 A1 \* 6/2011 Gardner ..... B01D 29/15
- 210/90
- 2017/0363246 A1 \* 12/2017 Bryant ..... F16L 55/24
- 2018/0080589 A1 \* 3/2018 Heon ..... F16L 37/0925

\* cited by examiner

*Primary Examiner* — T Chase Nelson  
*Assistant Examiner* — Ania Aman  
(74) *Attorney, Agent, or Firm* — Dossey & Jones, PLLC; Phillip Black; James P Dossey

**Related U.S. Application Data**

- (63) Continuation-in-part of application No. 15/812,979, filed on Nov. 14, 2017, and a continuation-in-part of application No. 29/617,129, filed on Sep. 12, 2017.
- (51) **LOC (11) Cl.** ..... **23-03**
- (52) **U.S. Cl.**  
USPC ..... **D23/322**; D23/341
- (58) **Field of Classification Search**  
USPC ..... D23/393, 259–269, 233, 245, 322, 341; D8/349, 382, 387, 388, 391, 393, 397, D8/399  
CPC ..... F16L 55/24; F16L 57/005; F16L 15/006; F24F 13/222; F24F 2013/227  
See application file for complete search history.

**References Cited**

**U.S. PATENT DOCUMENTS**

- 4,067,072 A \* 1/1978 Izzi ..... E03F 5/0407
- 285/12
- D412,738 S \* 8/1999 Kuwabara ..... D23/233

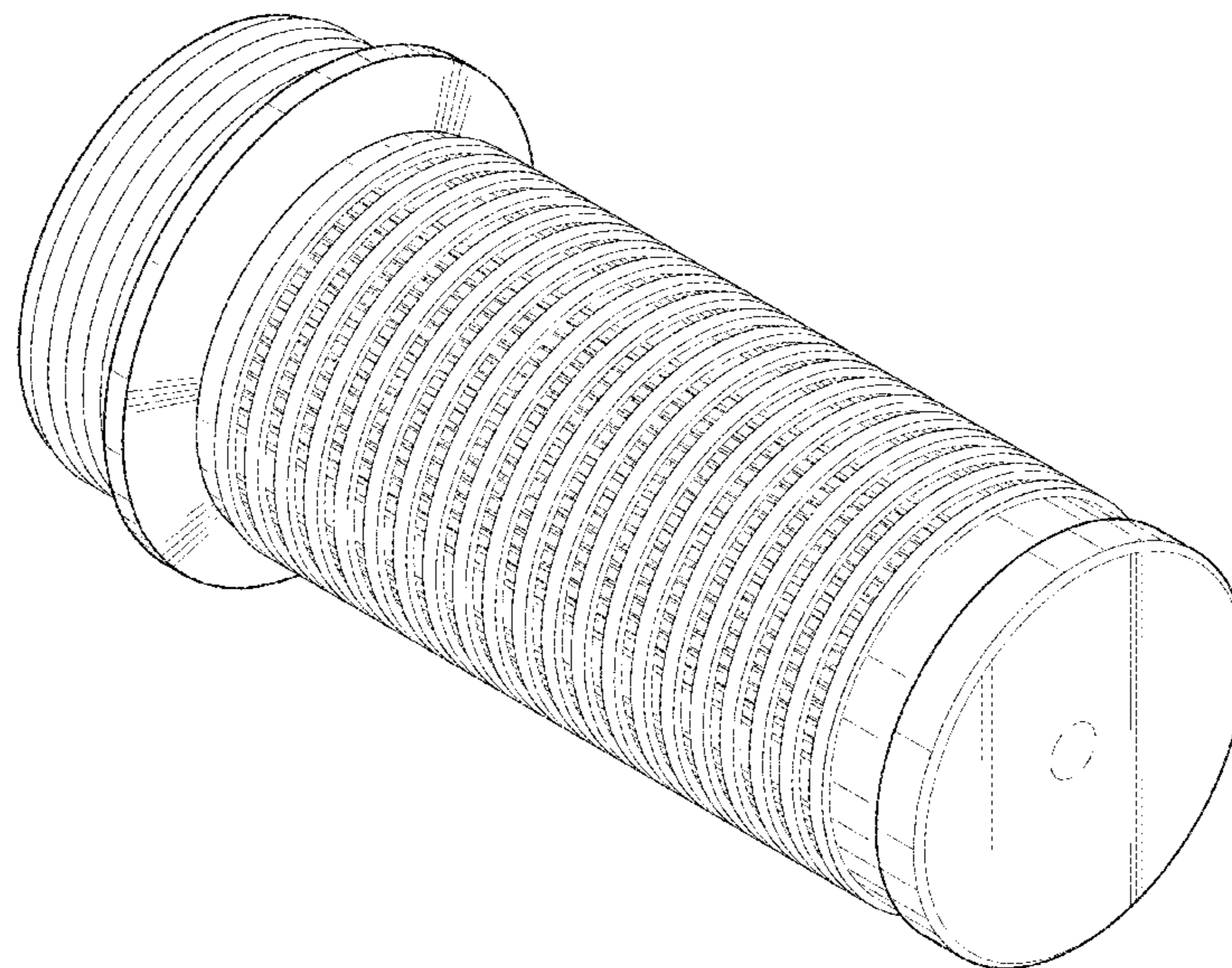
(57) **CLAIM**

The ornamental design for a flow-through piping cap, as shown and described.

**DESCRIPTION**

FIG. 1 is a side perspective view showing the first end of the flow-through piping cap;  
FIG. 2 is a side perspective view showing the second end thereof;  
FIG. 3 is a side elevation view thereof;  
FIG. 4 is a first end view thereof; and  
FIG. 5 is a second end view thereof; and,  
FIG. 6 is a side elevation view thereof, showing the flow-through piping cap in the context of a pipe end connection. The surface shading is for purposes of illustrating the contour and appearance of the claimed surfaces upon which it is illustrated, but is not actually seen on the surface of the lower receiver. The broken lines are used to show unclaimed portions of the invention and form no part of the claimed design.

**1 Claim, 5 Drawing Sheets**



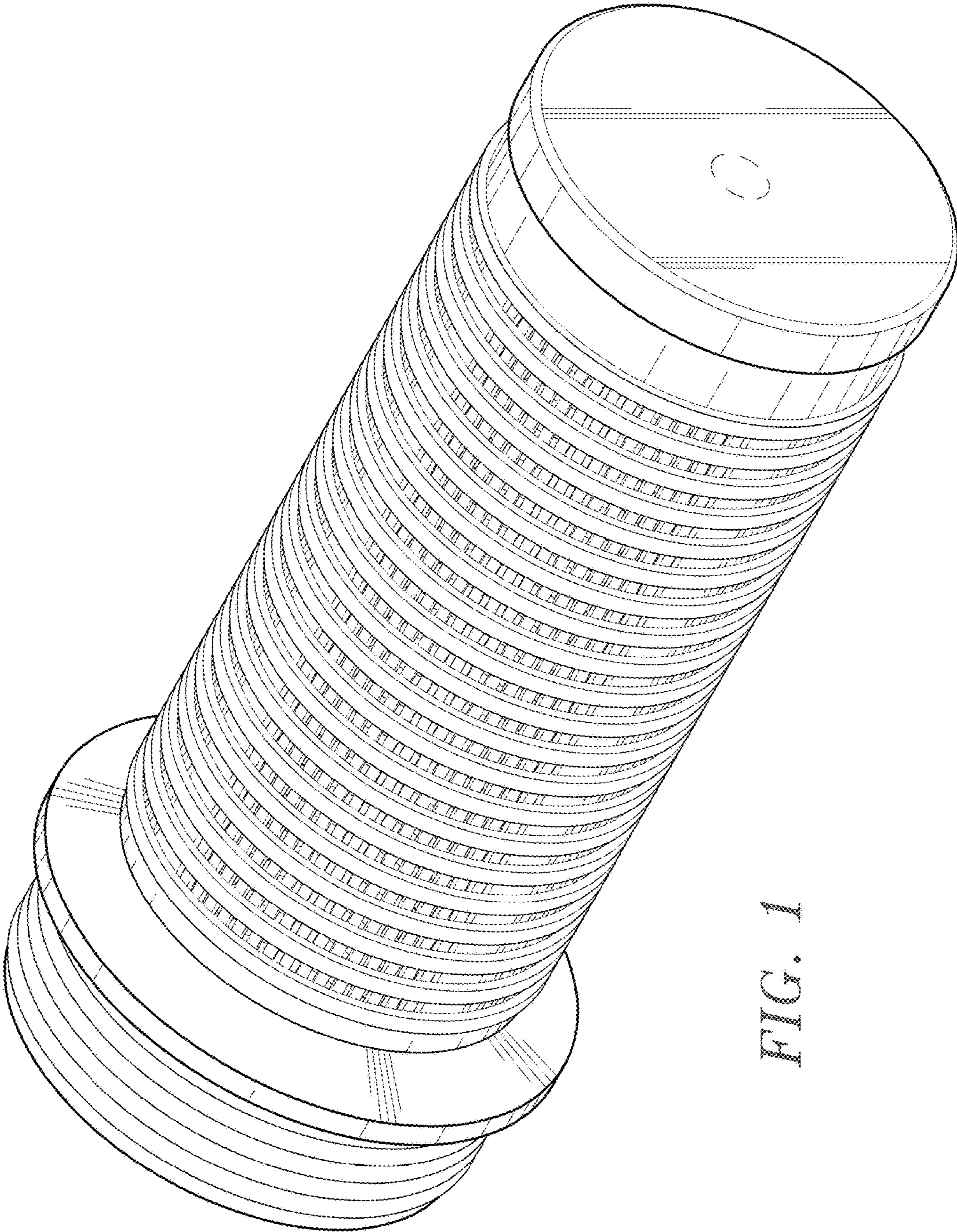


FIG. 1



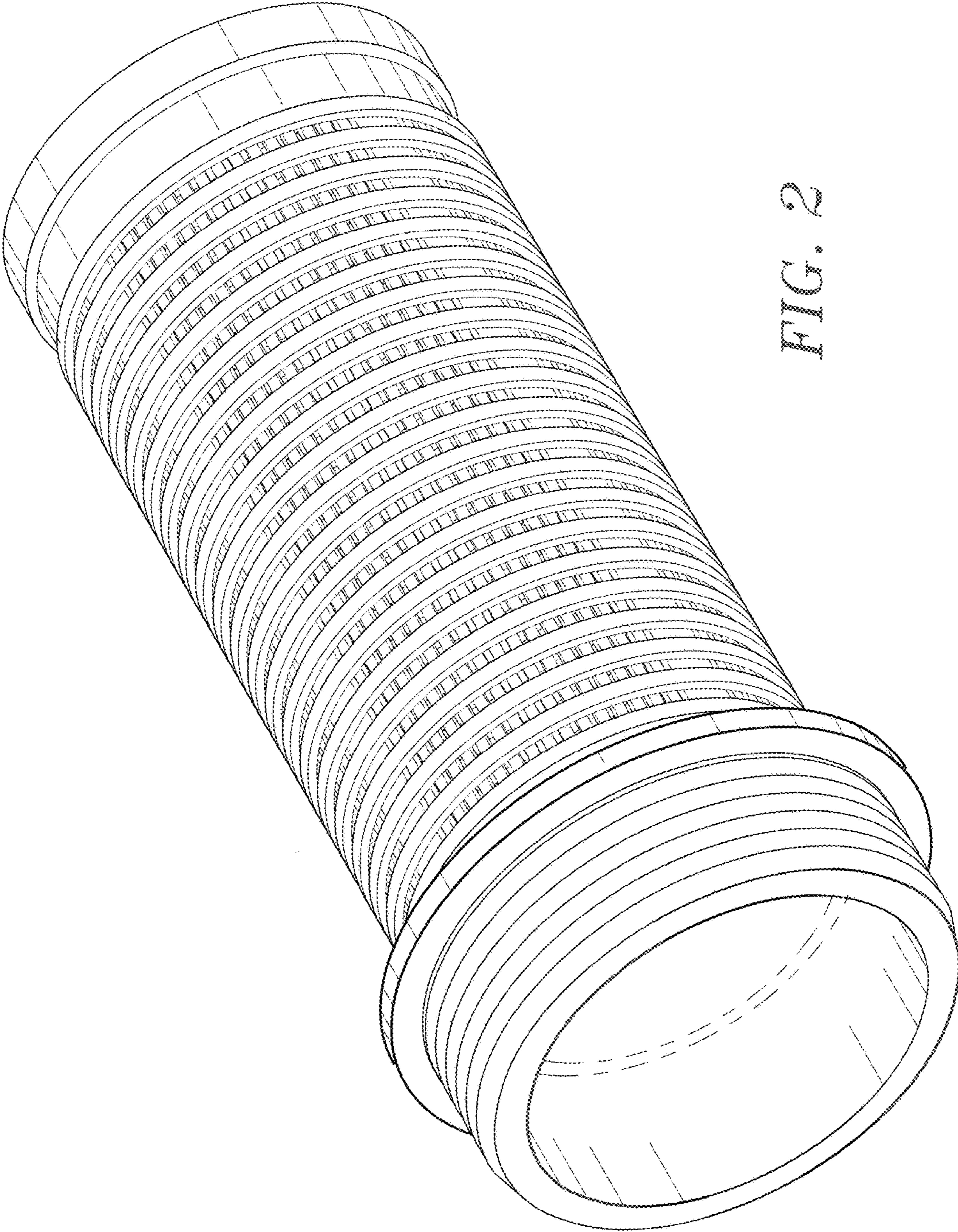


FIG. 2

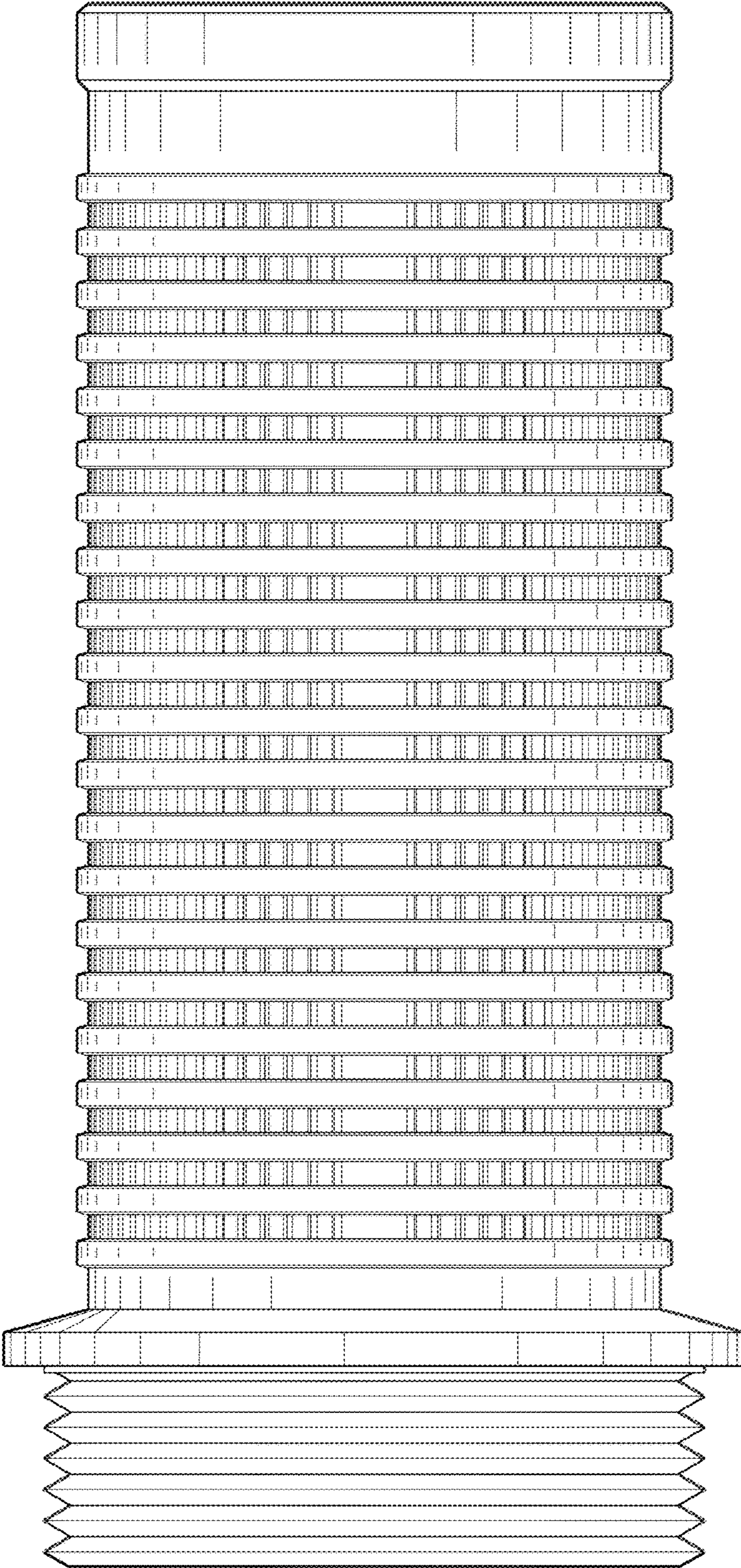
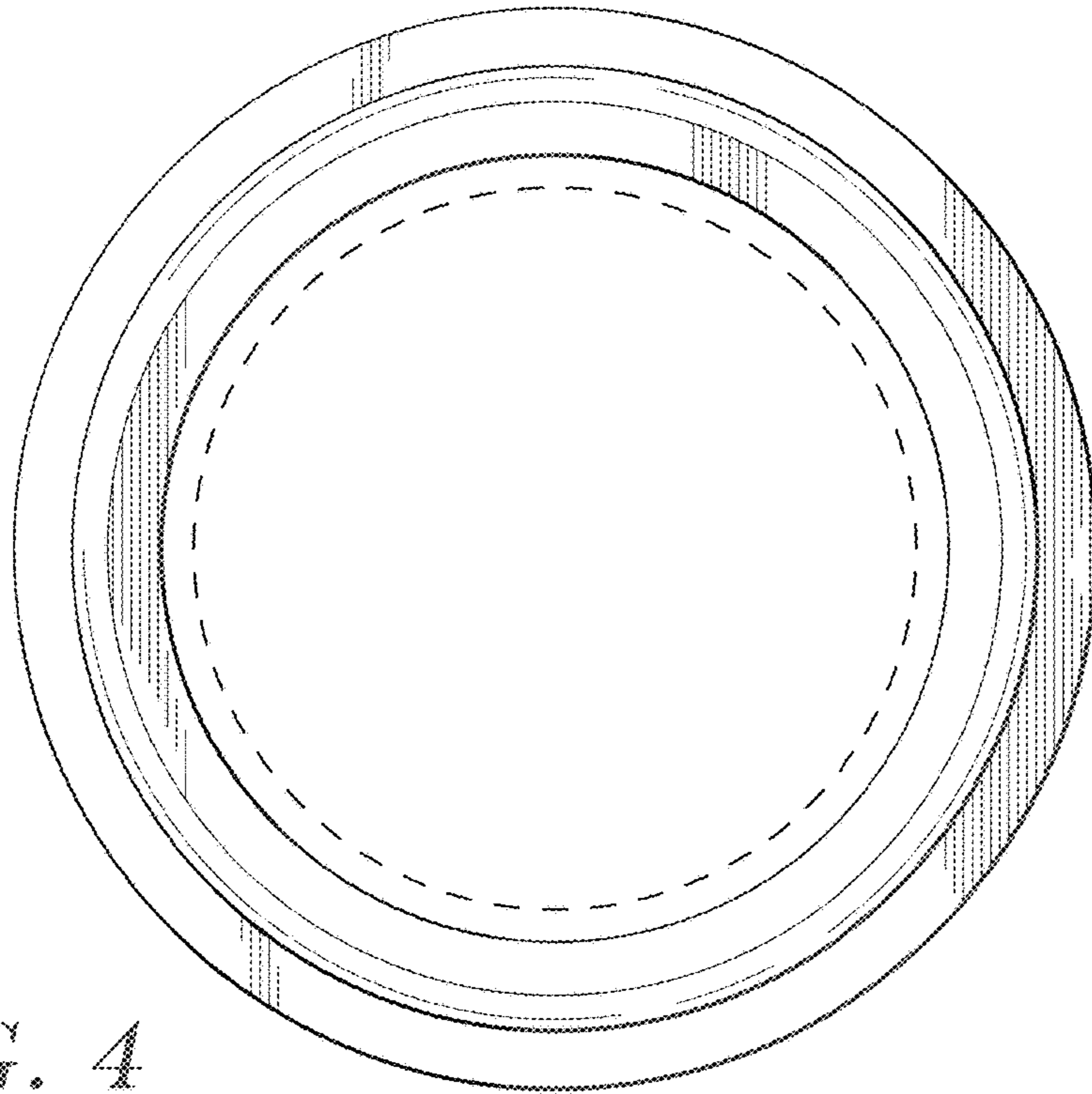
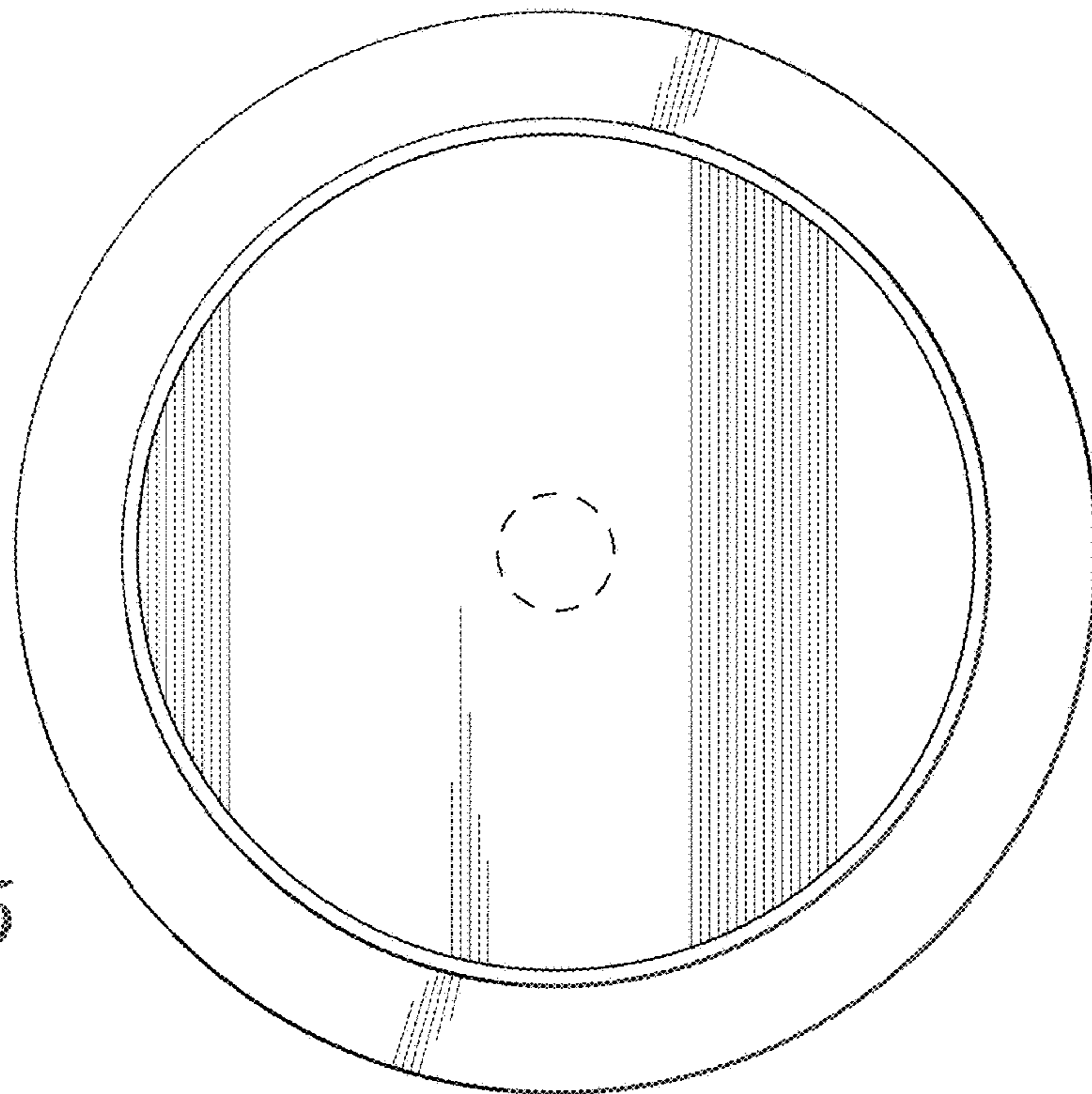


FIG. 3





*FIG. 4*



*FIG. 5*

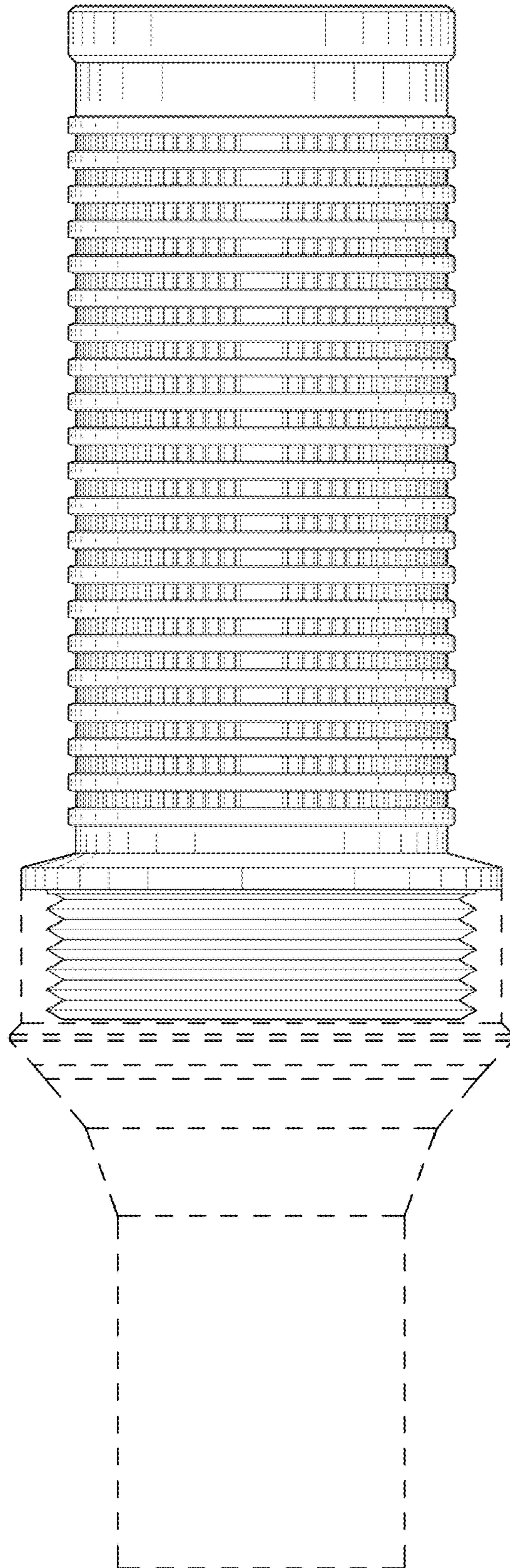


FIG. 6