



US00D849897S

(12) **United States Design Patent**  
**Chubachi**

(10) **Patent No.:** **US D849,897 S**

(45) **Date of Patent:** **\*\* May 28, 2019**

(54) **HEATER FOR DRYING INK ON TEXTILE**

H05B 3/008; H05B 3/20; H05B 3/342;  
B41J 11/002; B41M 7/009

(71) Applicant: **Kohei Chubachi**, Tokyo (JP)

See application file for complete search history.

(72) Inventor: **Kohei Chubachi**, Tokyo (JP)

(56) **References Cited**

(73) Assignee: **Ricoh Company, Ltd.**, Tokyo (JP)

U.S. PATENT DOCUMENTS

(\*\*) Term: **15 Years**

D275,226 S \* 8/1984 Nishigaki ..... D23/314  
D770,565 S \* 11/2016 Tanaka ..... D18/50

(21) Appl. No.: **29/630,544**

\* cited by examiner

(22) Filed: **Dec. 21, 2017**

*Primary Examiner* — T Chase Nelson

*Assistant Examiner* — Ania Aman

(30) **Foreign Application Priority Data**

Jun. 28, 2017 (JP) ..... 2017-013838

(51) **LOC (11) Cl.** ..... **23-03**

(52) **U.S. Cl.**  
USPC ..... **D23/314**; D23/328

(74) *Attorney, Agent, or Firm* — Oblon, McClelland,  
Maier & Neustadt, L.L.P.

(58) **Field of Classification Search**  
USPC ..... D23/314, 317, 318, 319, 320, 321, 322,  
D23/323, 329, 330, 331, 332, 334, 335,  
D23/333, 336, 337, 338, 339, 340, 341,  
D23/342, 370, 378, 411, 412, 356, 358,  
D23/359, 363, 328; D13/112, 113, 114,  
D13/116, 122, 184; D15/66, 199;  
D18/50, 36, 37, 54.1, 56, 19, 54  
CPC ..... F24H 3/00; F24H 3/0411; F24H 3/0417;  
F24H 9/0063; F24H 9/0073; F24H 9/02;  
F24H 3/082; F24H 9/2071; F24H 3/002;  
F24H 3/02; F24H 3/04; F04D 17/04;  
F04D 25/08; F04D 25/10; F04D 5/00;

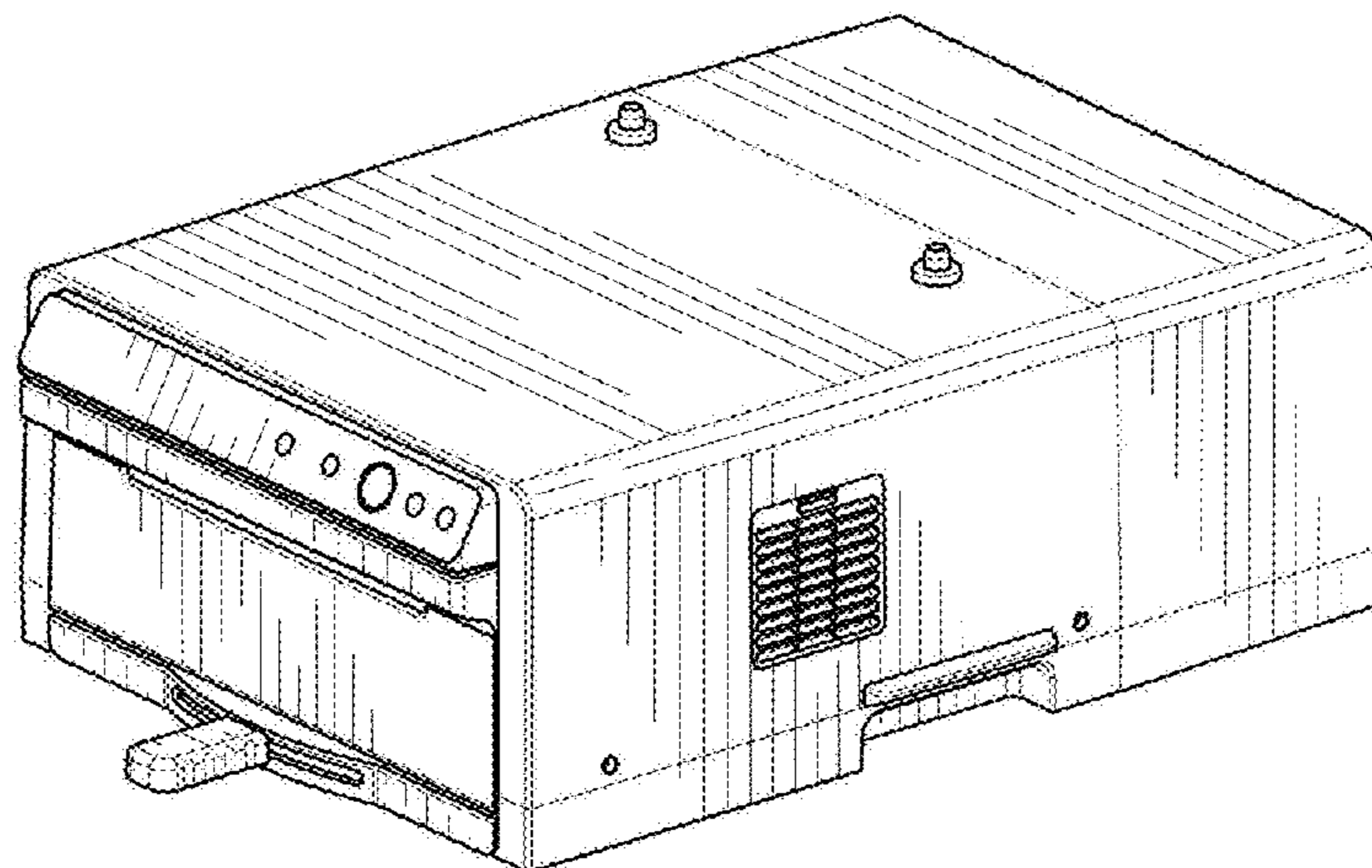
(57) **CLAIM**

The ornamental design for a heater for drying ink on textile,  
as shown and described.

**DESCRIPTION**

FIG. 1 is a top, front, right side perspective view of a heater  
for drying ink on textile according to my design;  
FIG. 2 is top, rear, left side perspective view thereof;  
FIG. 3 is a front elevational view thereof;  
FIG. 4 is a rear elevational view thereof;  
FIG. 5 is a top plan view thereof;  
FIG. 6 is a bottom plan view thereof;  
FIG. 7 is a right side elevational view thereof; and,  
FIG. 8 is a left side elevational view thereof.

**1 Claim, 8 Drawing Sheets**



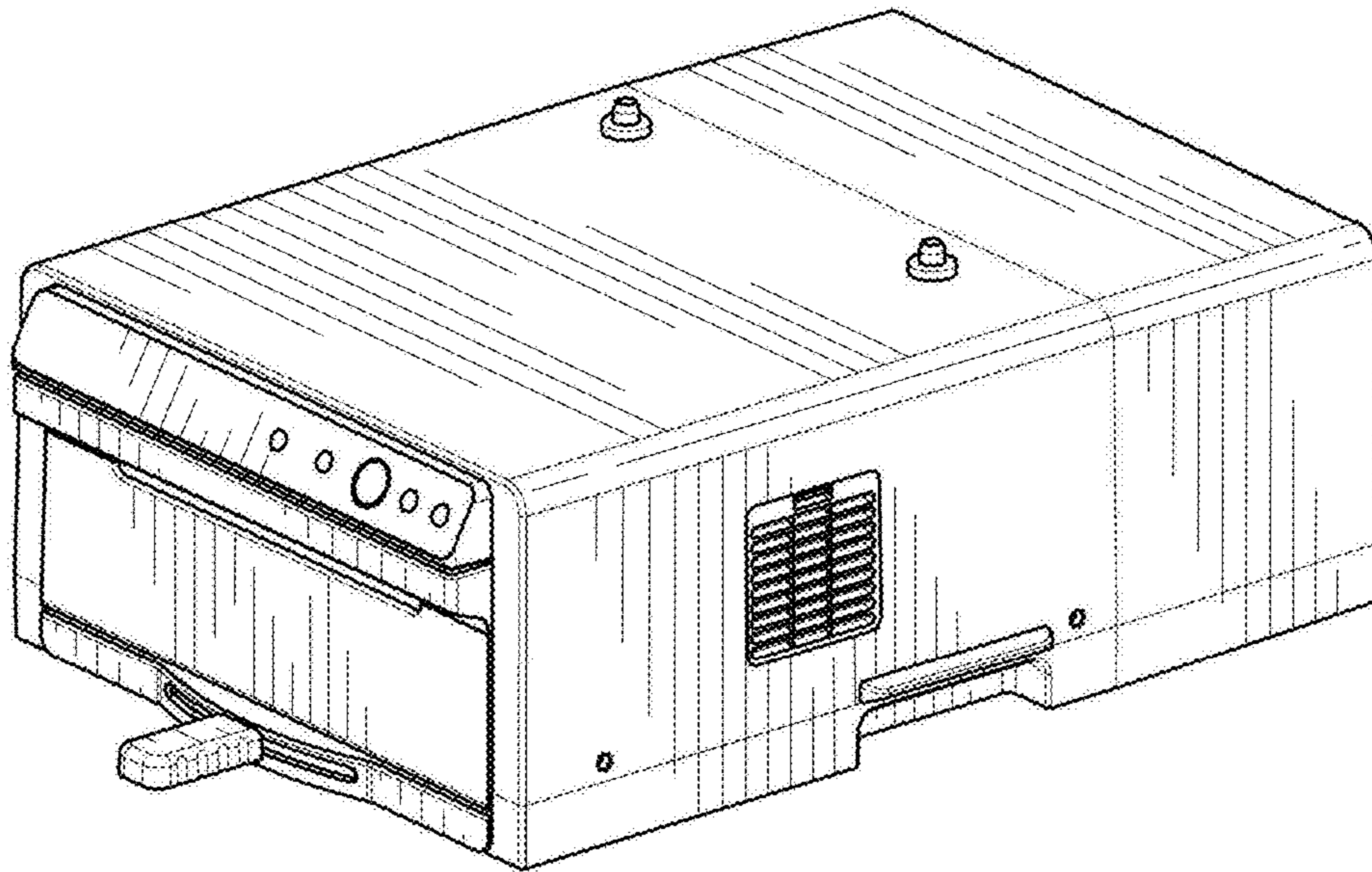


FIG. 1

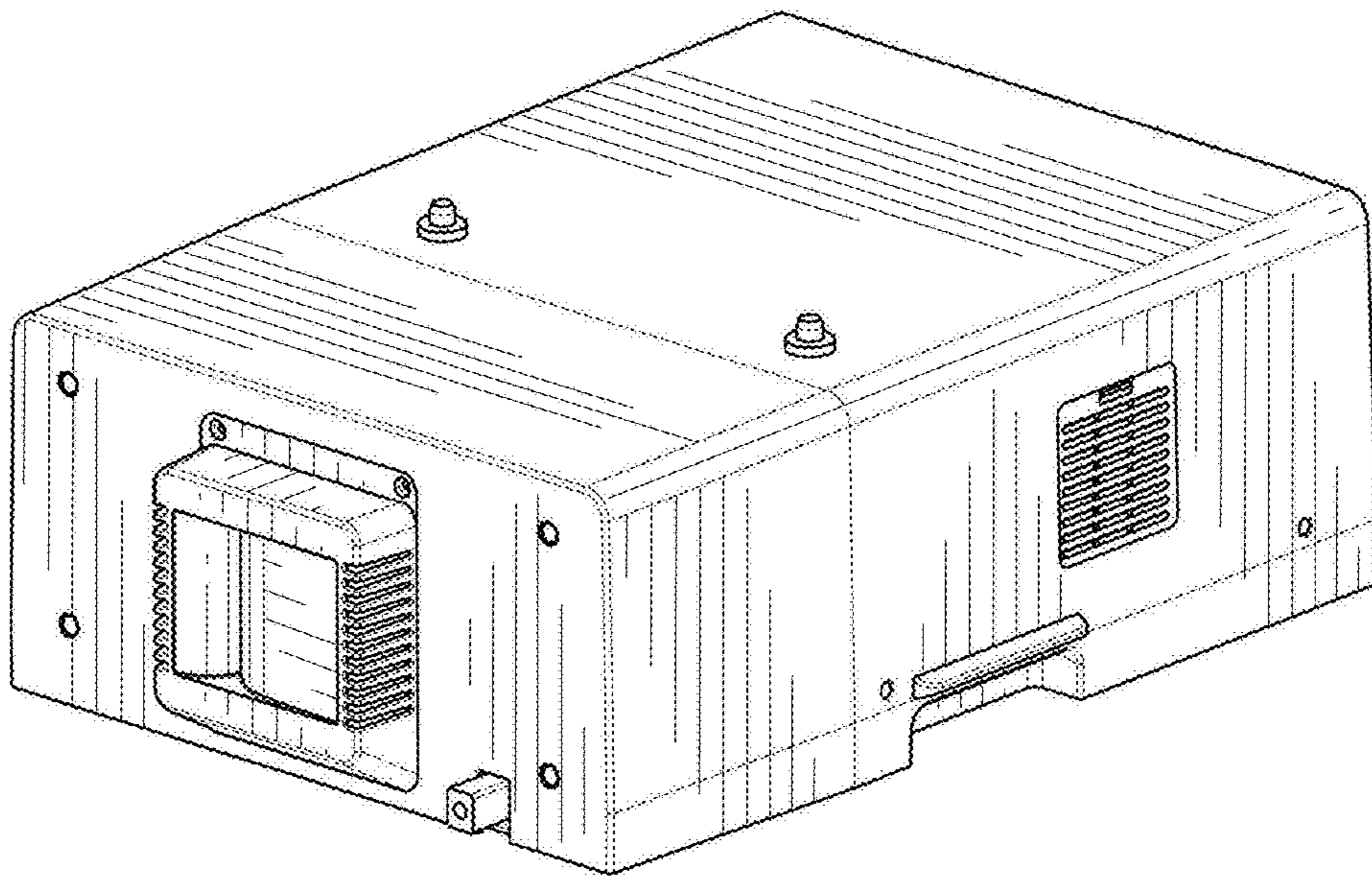


FIG. 2

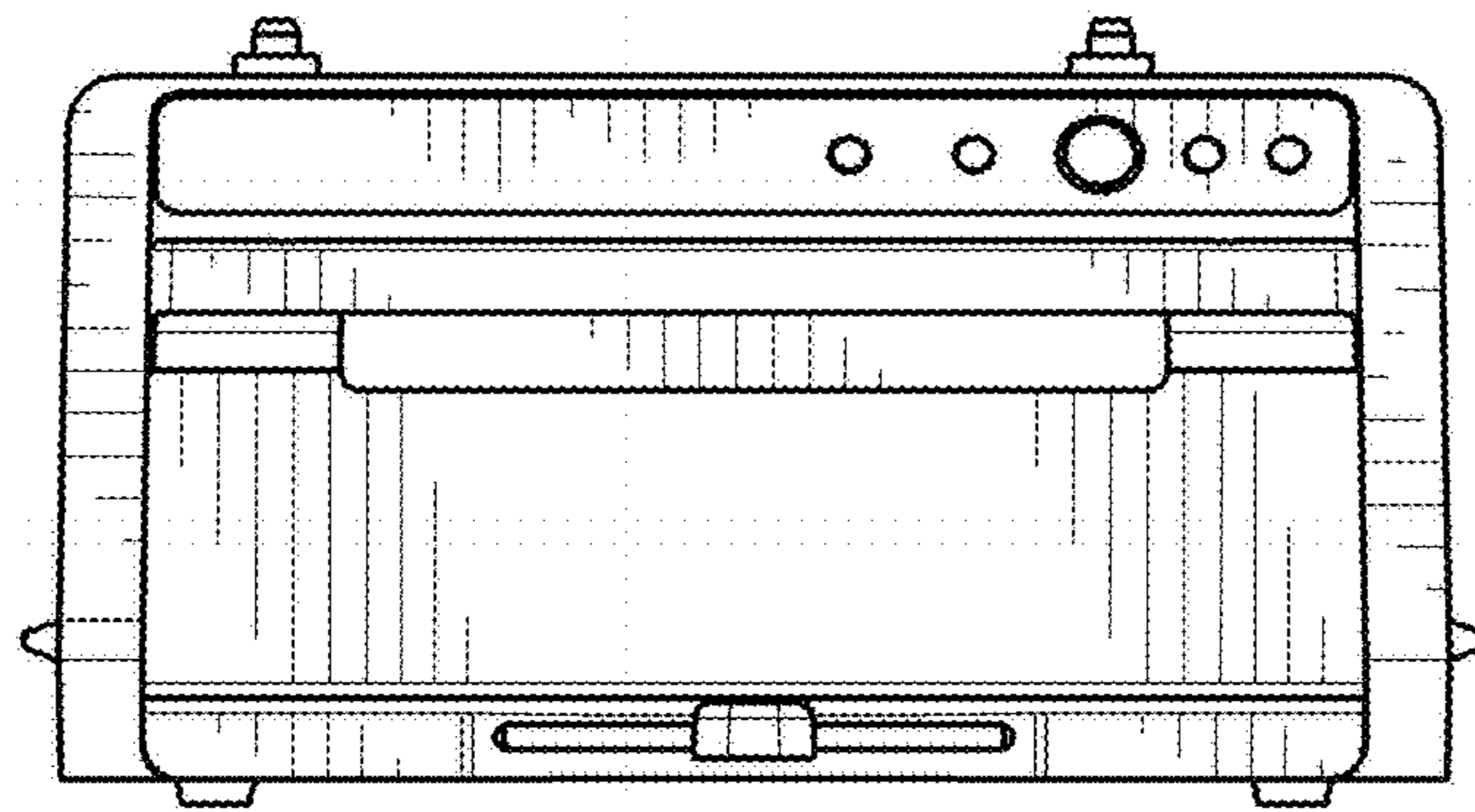


FIG. 3

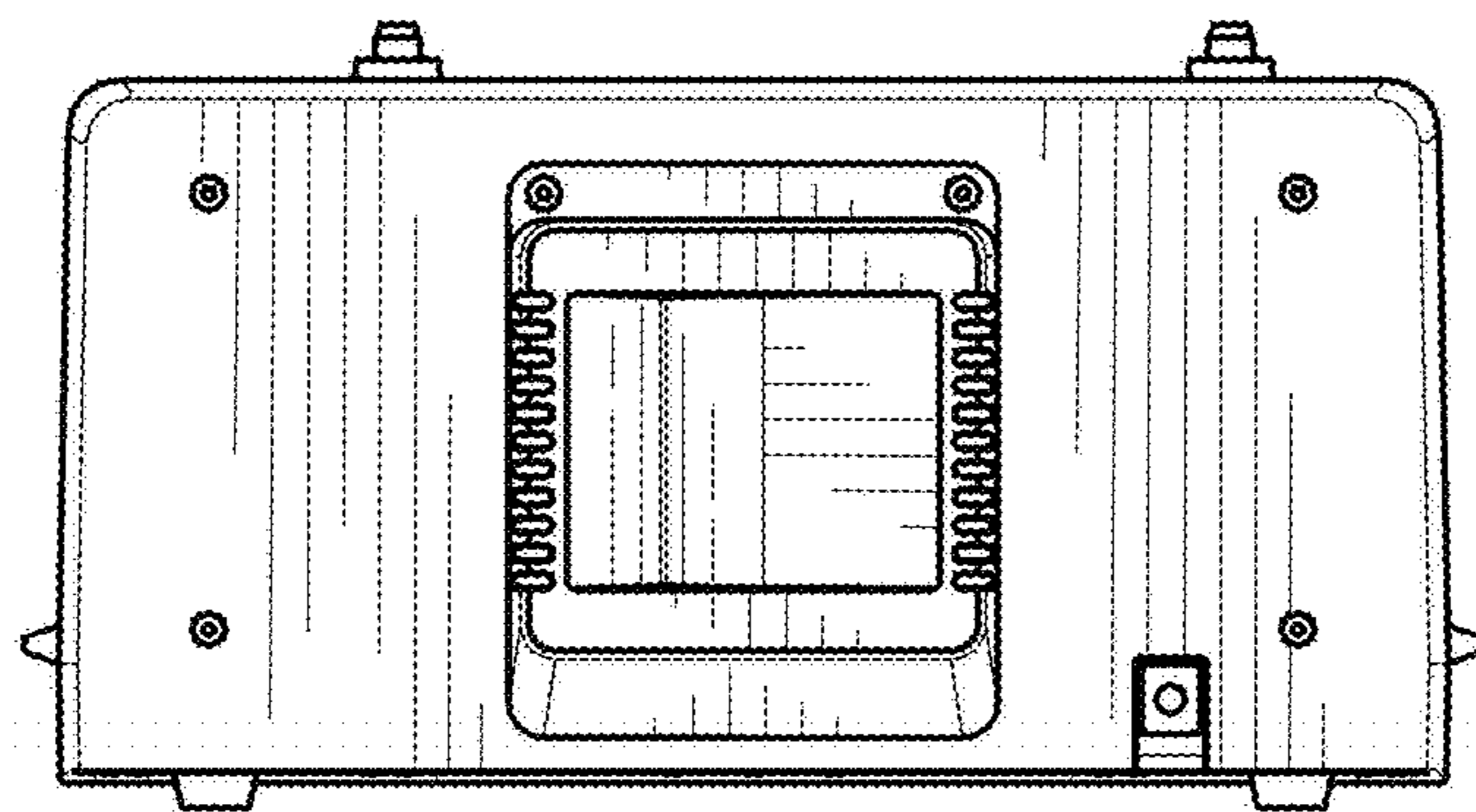


FIG. 4

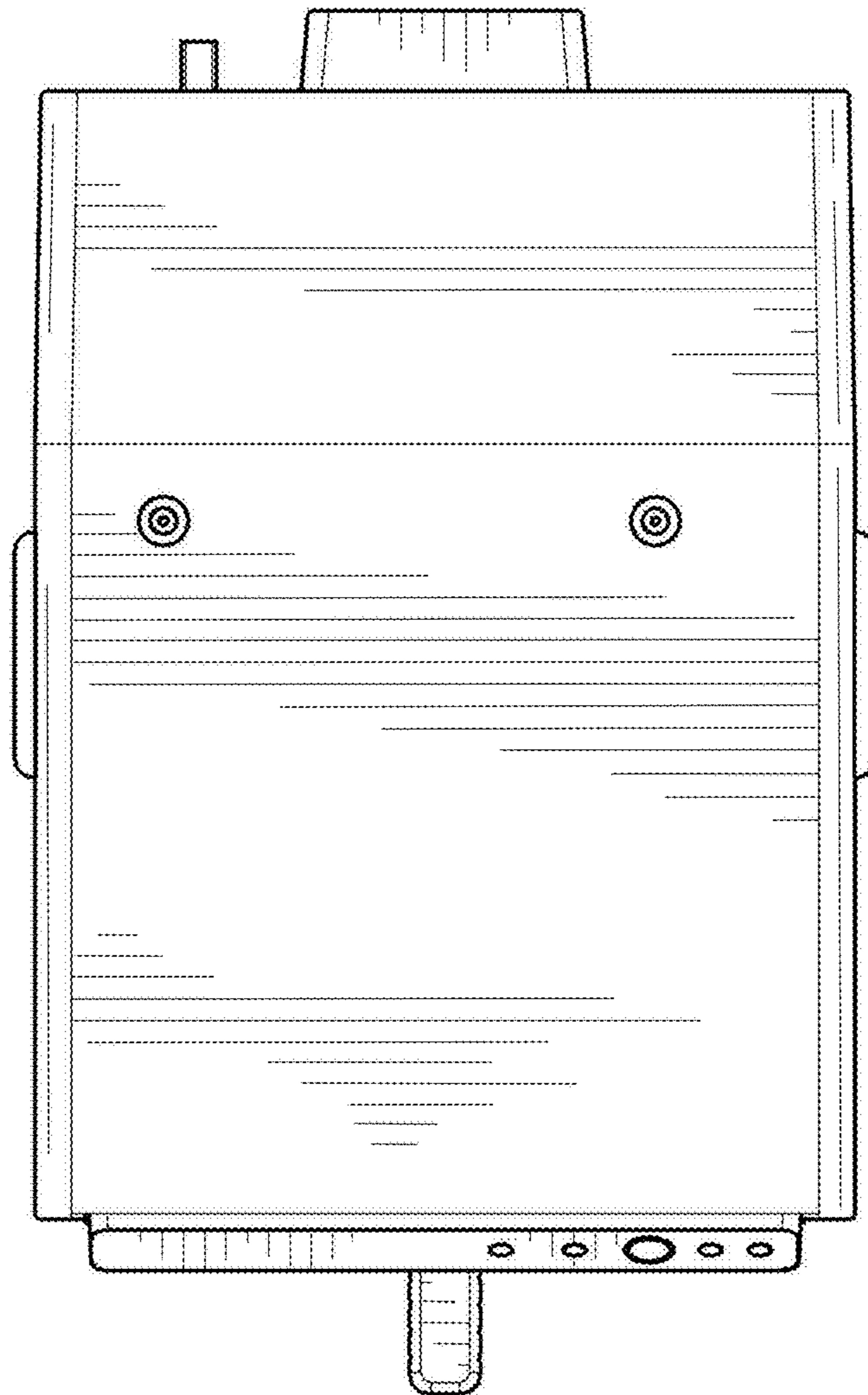


FIG. 5

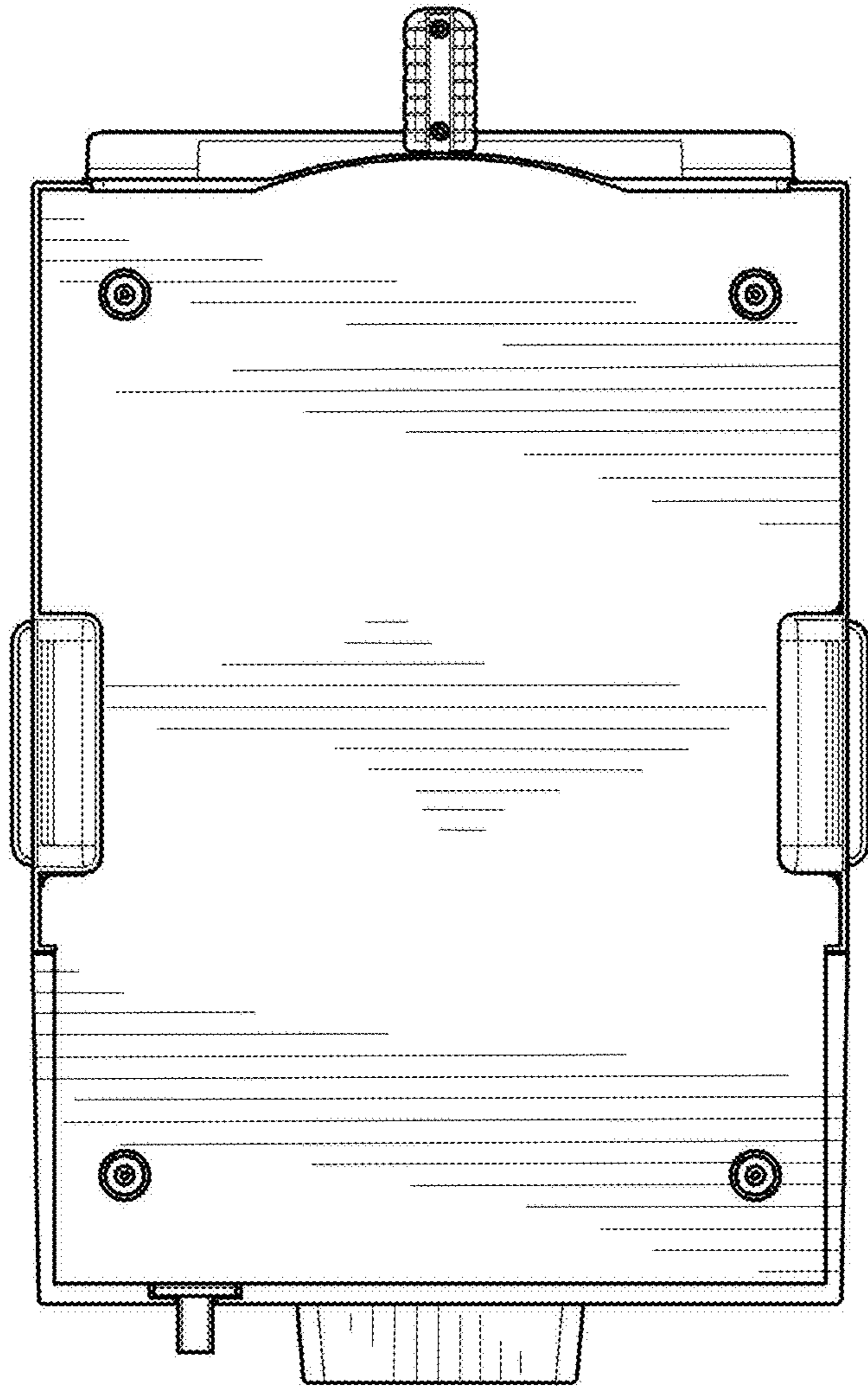


FIG. 6

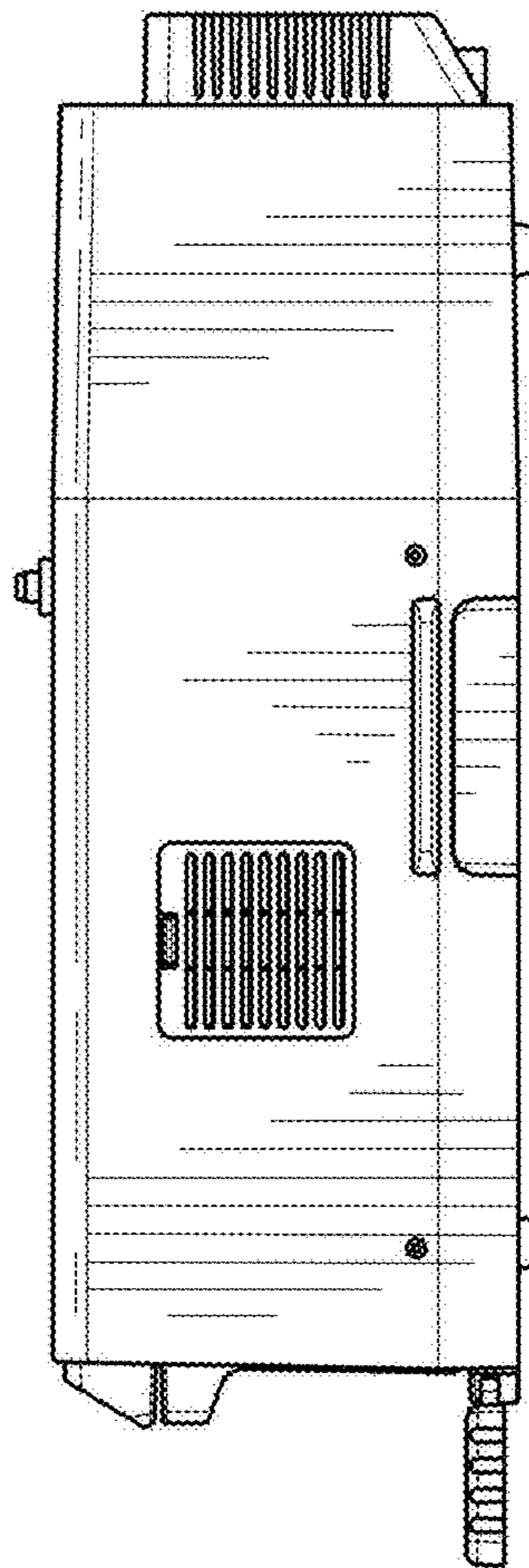


FIG. 7



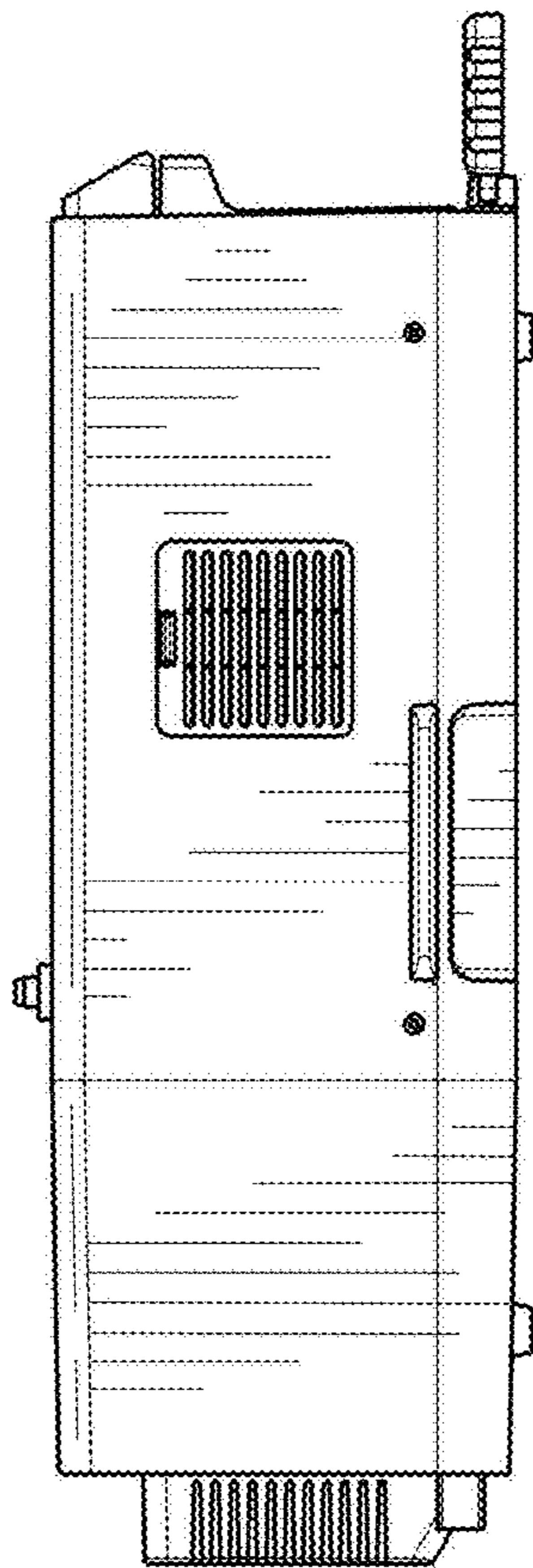


FIG. 8