



US00D849896S

(12) **United States Design Patent** (10) **Patent No.:** **US D849,896 S**  
**Salomon** (45) **Date of Patent:** **\*\* May 28, 2019**

(54) **BATH SINK** 7,721,364 B2 \* 5/2010 Pearson ..... E03C 1/18  
312/228  
(71) Applicant: **Franz Kaldewei GmbH & Co. KG,** D630,308 S \* 1/2011 Webb ..... D23/293.1  
Ahlen (DE) D635,227 S \* 3/2011 DuFour ..... D23/284  
D700,303 S \* 2/2014 Eveleigh ..... D23/284  
(72) Inventor: **Anke Salomon,** Potsdam (DE) D703,800 S \* 4/2014 Eilmus ..... D23/308  
D742,486 S \* 11/2015 Eilmus ..... D23/308  
(73) Assignee: **FRANZ KALDEWEI GMBH & CO.** D753,278 S \* 4/2016 Danelon ..... D23/293.1  
**KG, Ahlen (DE)** D767,738 S \* 9/2016 Osterroth ..... D23/284  
D826,386 S \* 8/2018 Bomatter ..... D23/293.1

(\*\*) Term: **15 Years**

(21) Appl. No.: **29/672,492**

(22) Filed: **Dec. 6, 2018**

**Related U.S. Application Data**

(62) Division of application No. 29/616,742, filed on Sep. 8, 2017.

**Foreign Application Priority Data**

Mar. 10, 2017 (EM) ..... 003792712

(51) **LOC (11) Cl.** ..... **23-02**

(52) **U.S. Cl.**  
USPC ..... **D23/293.1**

(58) **Field of Classification Search**  
USPC ..... D23/284, 293.1, 303, 308  
CPC ..... E03C 1/18  
See application file for complete search history.

**References Cited**

**U.S. PATENT DOCUMENTS**

D513,794 S \* 1/2006 Ferrer Beltran ..... D23/293.1  
D612,466 S \* 3/2010 Slothower ..... D23/293.1

\* cited by examiner

*Primary Examiner* — Robert A Delehanty

(74) *Attorney, Agent, or Firm* — Andrew Wilford

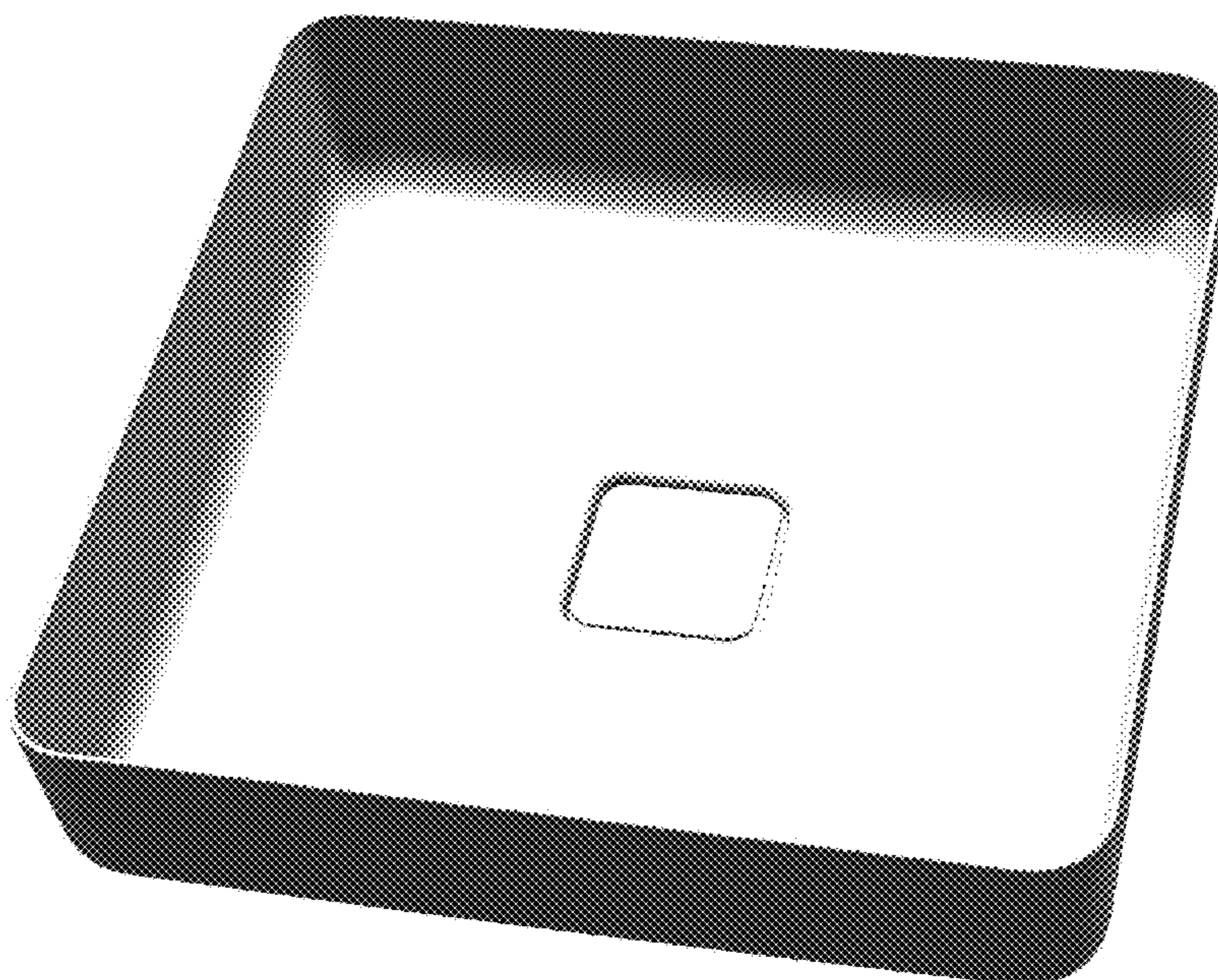
(57) **CLAIM**

The ornamental design for a bath sink, as shown and described.

**DESCRIPTION**

FIG. 1 is a perspective view of a generally rectangular bath sink according to the invention;  
FIG. 2 is a top view of the invention;  
FIG. 3 is a side view of the invention;  
FIG. 4 is an axial section through the invention;  
FIG. 5 is a perspective view of another generally rectangular bath sink according to the invention;  
FIG. 6 is a top view of the invention of FIG. 5;  
FIG. 7 is a side view of the invention of FIG. 5; and,  
FIG. 8 is an axial section through the invention of FIG. 5.

**1 Claim, 8 Drawing Sheets**



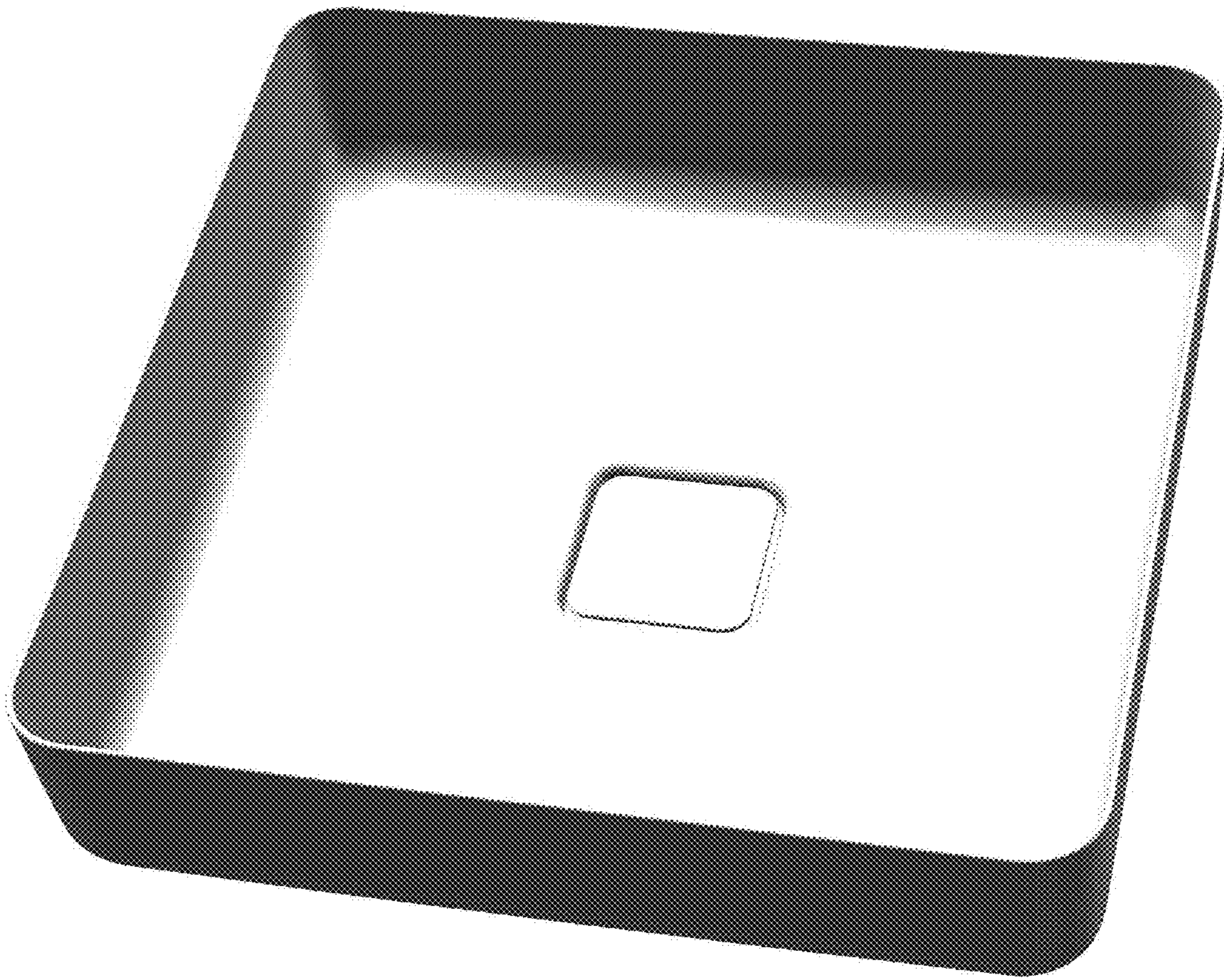


Fig. 1

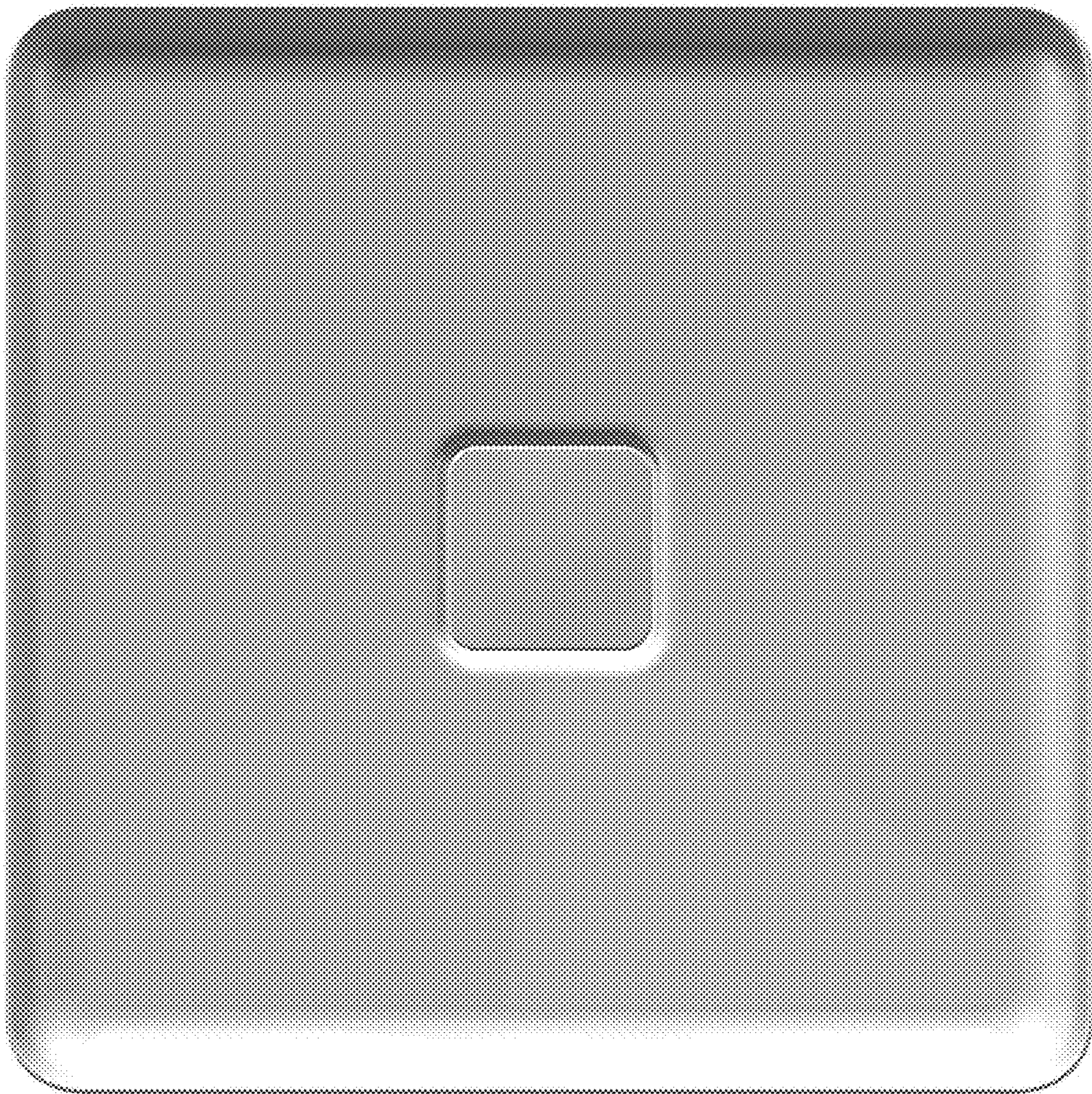


Fig. 2

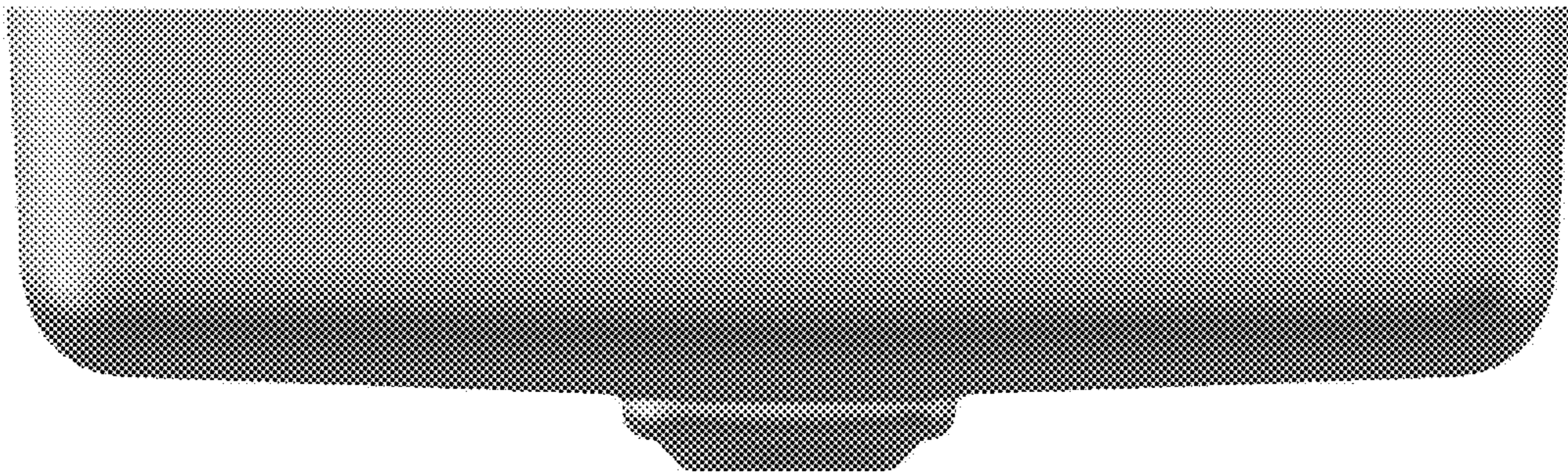


Fig. 3

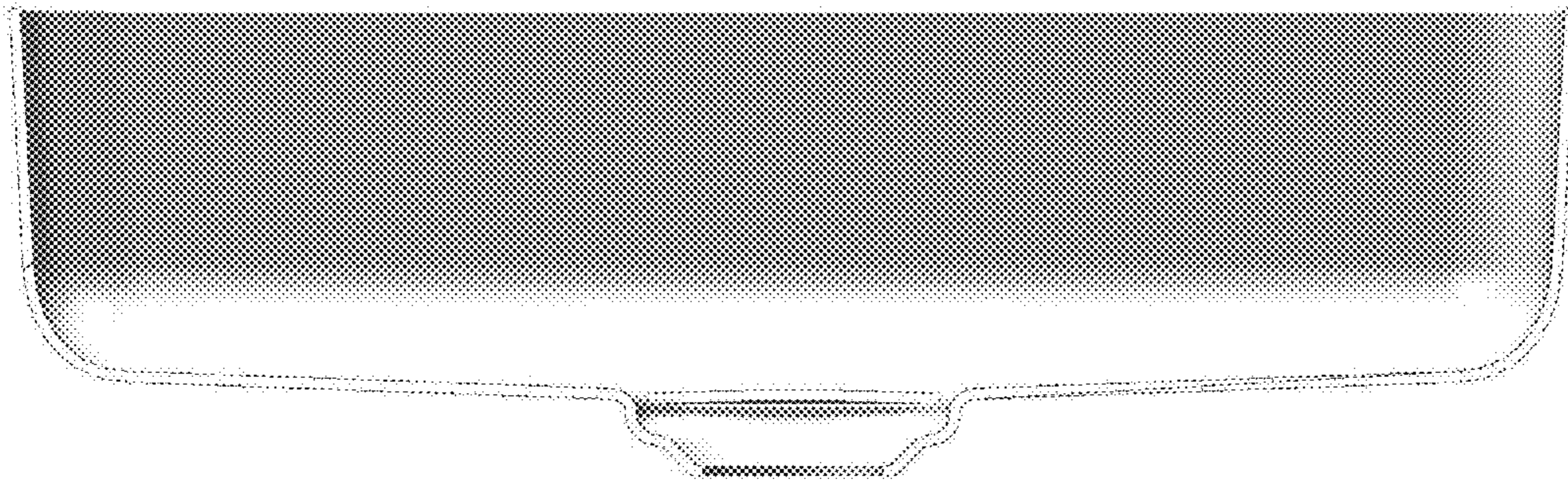


Fig. 4

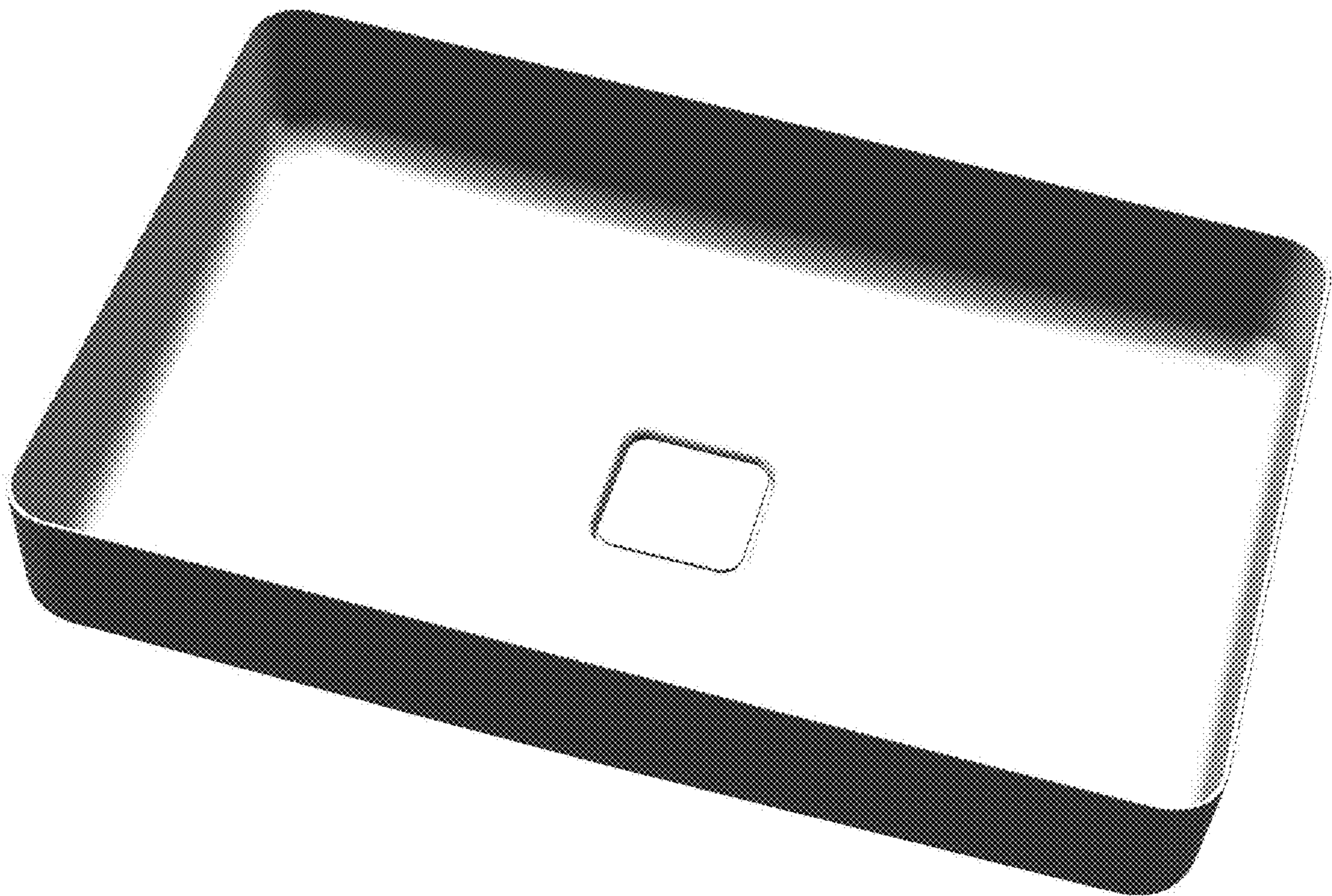


Fig. 5

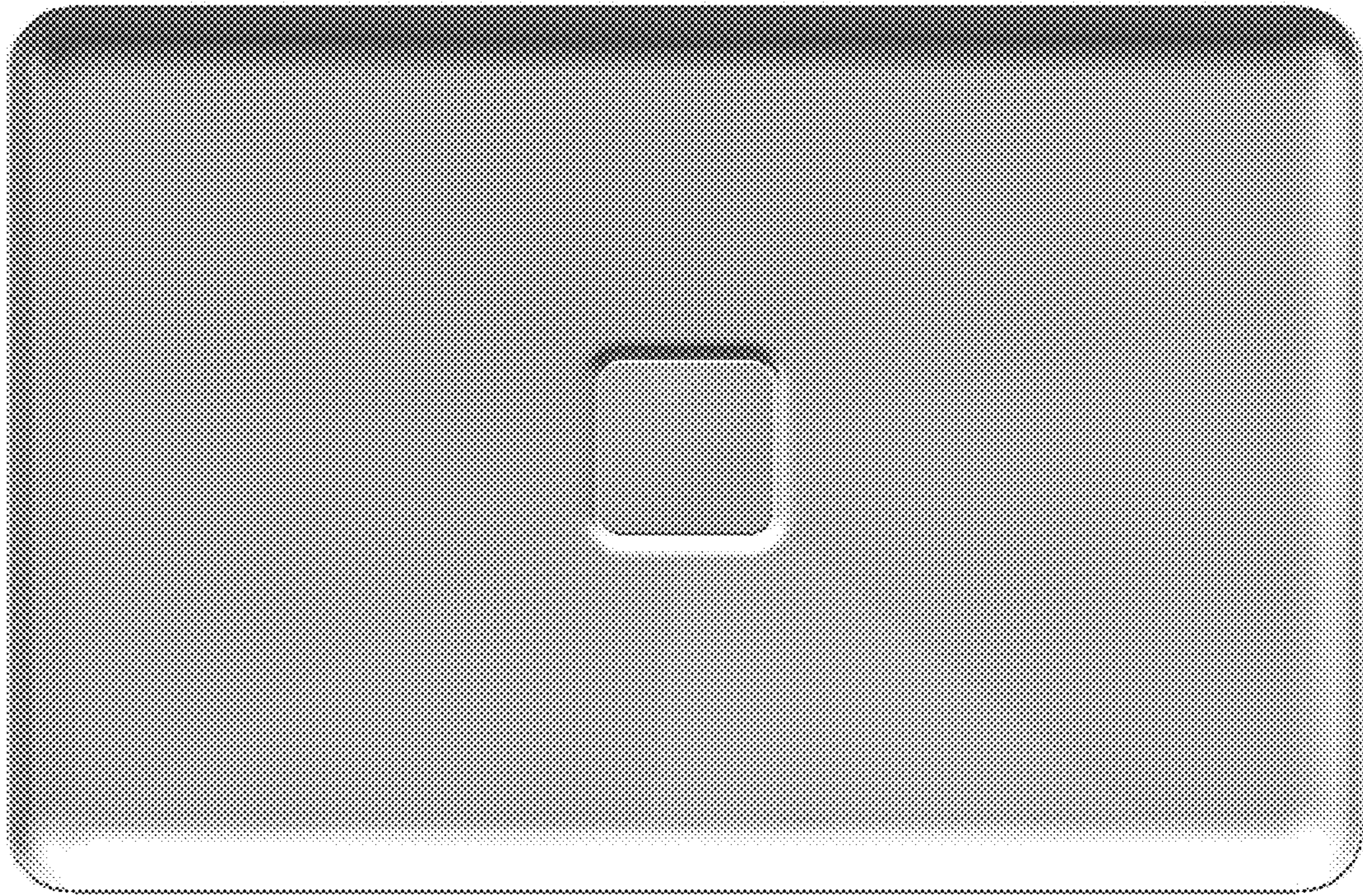


Fig. 6

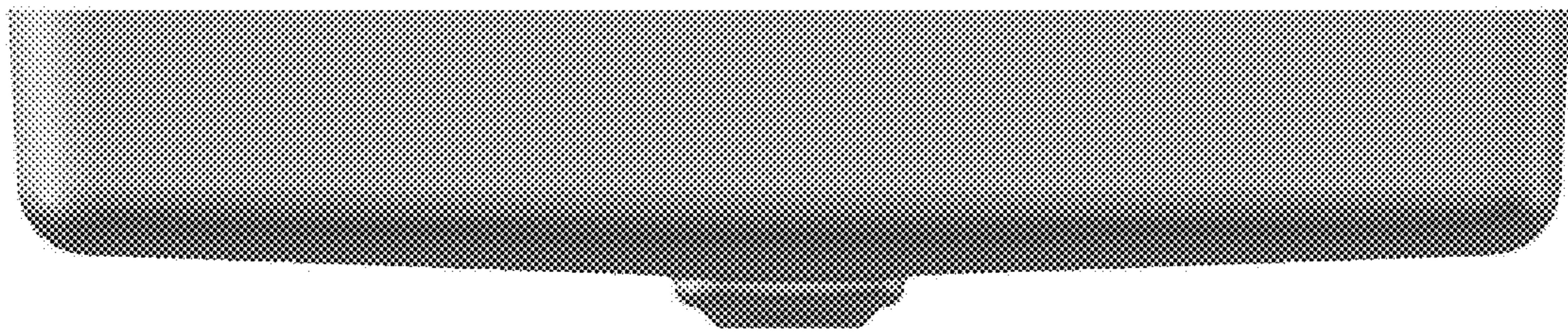


Fig. 7



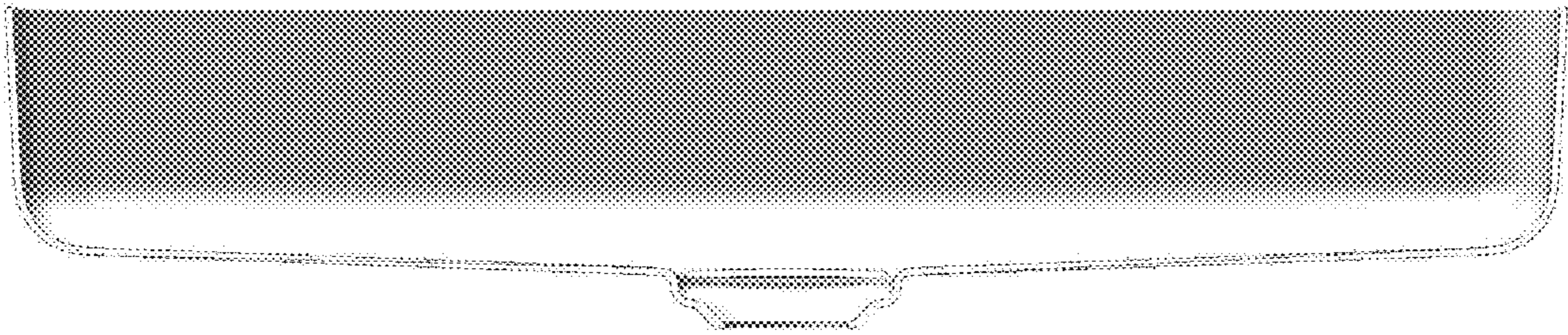


Fig. 8