



US00D849895S

(12) **United States Design Patent** (10) **Patent No.:** **US D849,895 S**  
**Bucher** (45) **Date of Patent:** **\*\* May 28, 2019**

(54) **SINK**  
(71) Applicant: **AS IP Holdco, LLC**, Piscataway, NJ (US)  
(72) Inventor: **Christophe Bucher**, Hillsborough, NJ (US)  
(73) Assignee: **AS IP Holdco, LLC**, Piscataway, NJ (US)  
(\*\*) Term: **15 Years**  
(21) Appl. No.: **29/642,675**  
(22) Filed: **Mar. 30, 2018**  
(51) **LOC (11) Cl.** ..... **23-02**  
(52) **U.S. Cl.**  
USPC ..... **D23/293.1**  
(58) **Field of Classification Search**  
USPC ... D23/270, 284, 285, 290, 289, 293.1, 303, D23/308, 499; D6/524, 573, 663-666, D6/671  
CPC ... E03C 1/12; E03C 1/18; E03C 1/181; A47K 1/04; A47B 77/06; A47J 47/20  
See application file for complete search history.

D588,246 S 3/2009 Eilmus et al.  
D601,675 S 10/2009 Booth et al.  
D603,484 S 11/2009 Eilmus  
D622,826 S 8/2010 Helmer  
D627,449 S \* 11/2010 Eckhaus ..... D23/308  
D656,228 S 3/2012 Booth  
(Continued)

**FOREIGN PATENT DOCUMENTS**

CA 2 639 213 2/2014  
CA 2882716 A1 \* 8/2015 ..... E03C 1/186  
(Continued)

**OTHER PUBLICATIONS**

Schalees Diner Decor, Single Basin Kitchen Sink Photo, posted Dec. 11, 2015, [online], [site visited Dec. 17, 2018]. Available from Internet, <URL: <https://shaleesdiner.com/the-advantages-of-single-basin-kitchen-sink/single-basin-kitchen-sink-photo/>> (Year: 2015).\*  
(Continued)

*Primary Examiner* — Sheryl Lane  
*Assistant Examiner* — Samantha N Wood  
(74) *Attorney, Agent, or Firm* — Morrison & Foerster LLP

(57) **CLAIM**

I claim the ornamental design for a sink, as shown and described.

**DESCRIPTION**

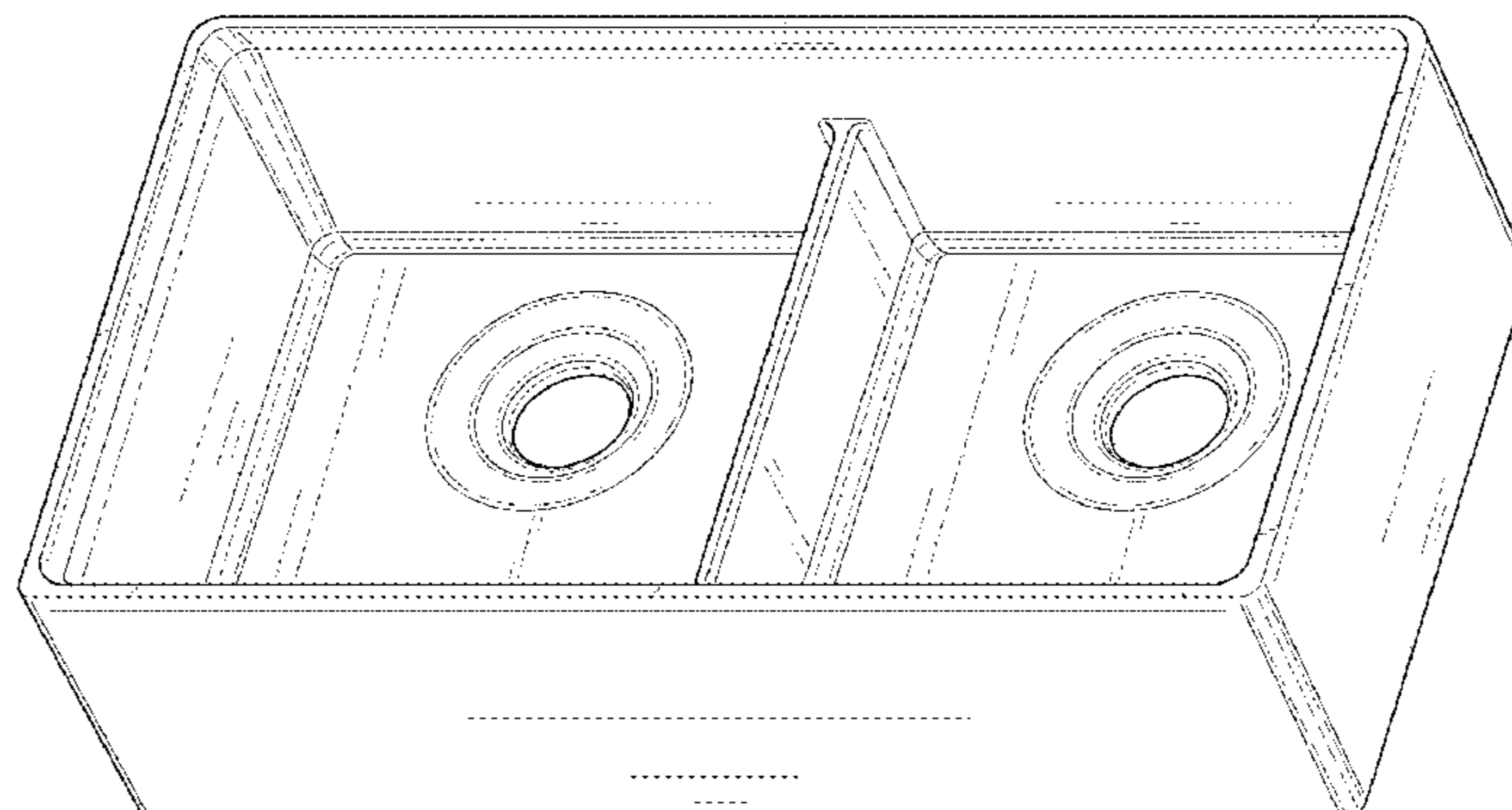
FIG. 1 is a front perspective view of a sink showing my new design;  
FIG. 2 is a front view thereof;  
FIG. 3 is a rear view thereof;  
FIG. 4 is a side view thereof;  
FIG. 5 is a side view of the opposite side of FIG. 4;  
FIG. 6 is a top view thereof; and,  
FIG. 7 is a bottom view thereof.

**1 Claim, 7 Drawing Sheets**

(56) **References Cited**

**U.S. PATENT DOCUMENTS**

6,182,305 B1 2/2001 O'Connell et al.  
D498,291 S 11/2004 Bayer  
D504,496 S 4/2005 Bayer  
D505,188 S 5/2005 Bayer  
D508,555 S 8/2005 Ziemann  
D518,561 S 4/2006 Gordon  
D523,540 S 6/2006 Gordon  
D541,912 S 5/2007 Ziemann  
D547,833 S 7/2007 Mahon  
D548,311 S 8/2007 Mahon  
D585,126 S 1/2009 Eilmus et al.  
D586,445 S \* 2/2009 Ziemann ..... D23/290  
D587,351 S 2/2009 Eilmus et al.



(56)

**References Cited**

U.S. PATENT DOCUMENTS

D669,560 S 10/2012 Booth  
 D670,364 S \* 11/2012 Miller ..... D23/290  
 D677,772 S \* 3/2013 Mendoza ..... D23/293.1  
 D703,799 S \* 4/2014 Eilmus ..... D23/308  
 D767,738 S 9/2016 Osterroth et al.  
 RE46,298 E \* 2/2017 Eilmus ..... D23/290  
 9,574,333 B2 2/2017 O'Brien et al.  
 D782,018 S \* 3/2017 Eilmus ..... D23/308  
 9,775,470 B2 10/2017 Eilmus et al.  
 9,783,967 B2 10/2017 Jain et al.  
 D804,620 S \* 12/2017 Palazzolo ..... D23/290  
 D816,197 S \* 4/2018 Chong ..... D23/290  
 2006/0242761 A1 11/2006 Babick et al.  
 2012/0266377 A1 10/2012 Eilmus

FOREIGN PATENT DOCUMENTS

CN 201130472703 \* 12/2011  
 CN 303455909 11/2015

EP 0 900 543 3/1999  
 EP 1 776 898 11/2010  
 EP 1 856 339 12/2012

OTHER PUBLICATIONS

Bucher, U.S. Office Action dated Dec. 12, 2018, directed to U.S. Appl. No. 29/642,676; 5 pages.  
 Home Depot. (2014) "Whitehaus Collection, Duet Reversible Farmhaus Apron Front Fireclay 30 in. Single Bowl Kitchen Sink in White," located at <[https://www.homedepot.com/p/Whitehaus-Collection-Duet-Reversible-Farmhaus-Apron-Front-Fireclay-30-in-Single-Bowl-Kitchen-Sink-in-White-WH3018-WH/203865941?MERCH=REC\\_-PIPHorizontal2\\_rr\\_-203866193\\_-203865941\\_-N](https://www.homedepot.com/p/Whitehaus-Collection-Duet-Reversible-Farmhaus-Apron-Front-Fireclay-30-in-Single-Bowl-Kitchen-Sink-in-White-WH3018-WH/203865941?MERCH=REC_-PIPHorizontal2_rr_-203866193_-203865941_-N)> (1 page).  
 First Rectification Notification dated Dec. 18, 2018, directed to CN Application No. 201830544103.3; 2 pages.

\* cited by examiner

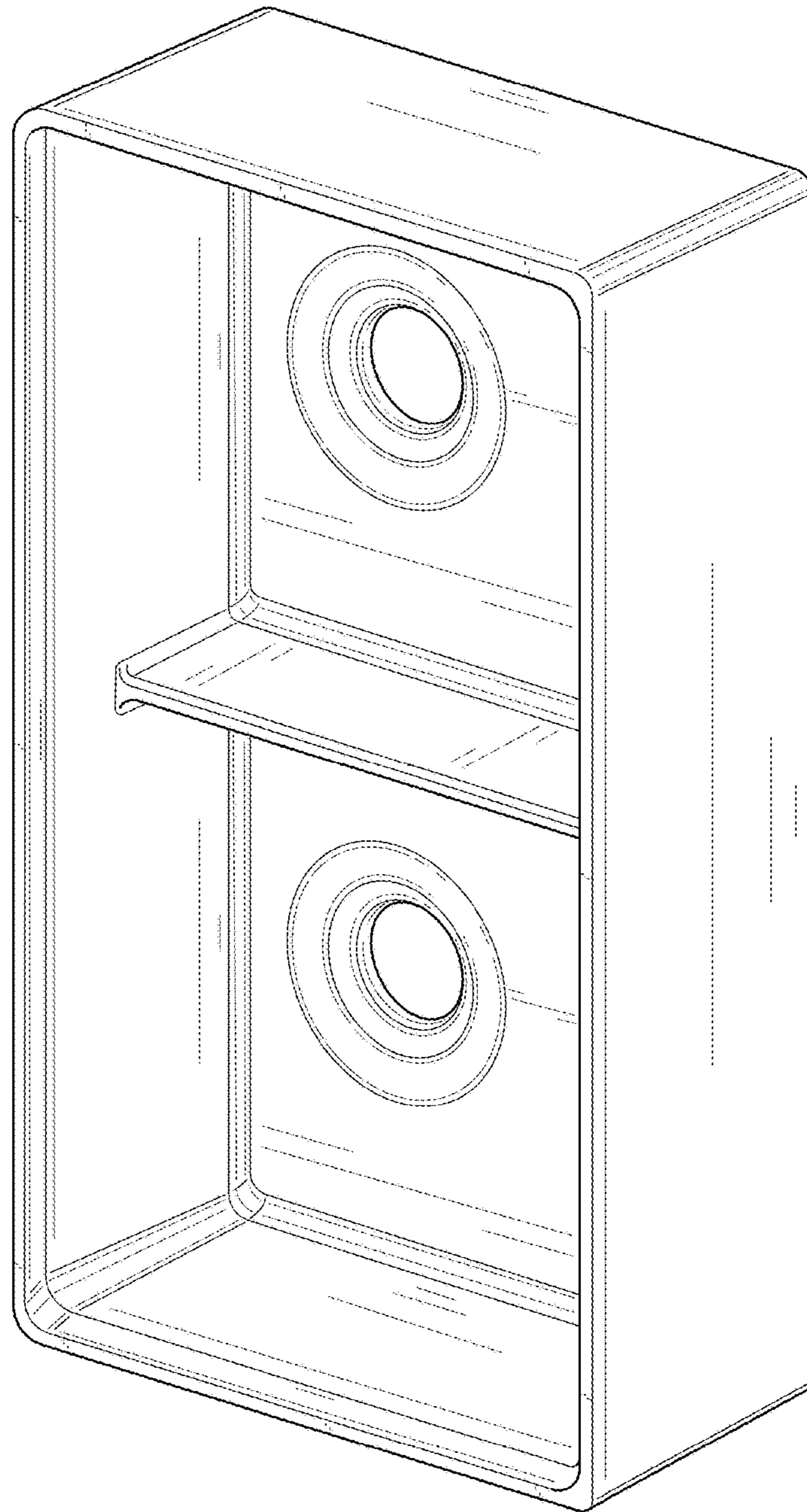


FIG. 1

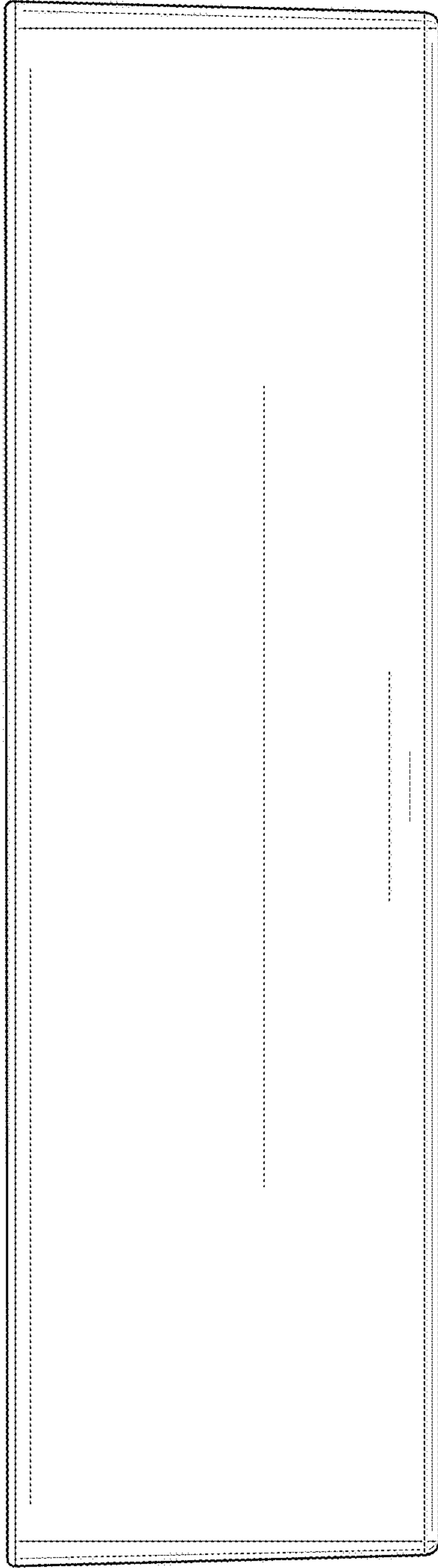


FIG. 2

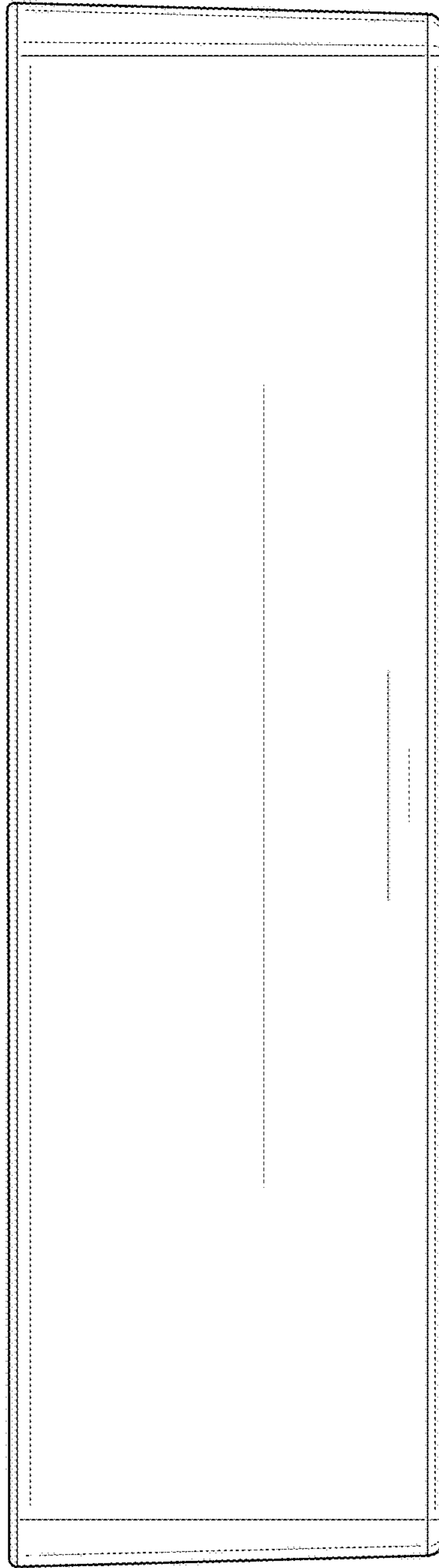


FIG. 3

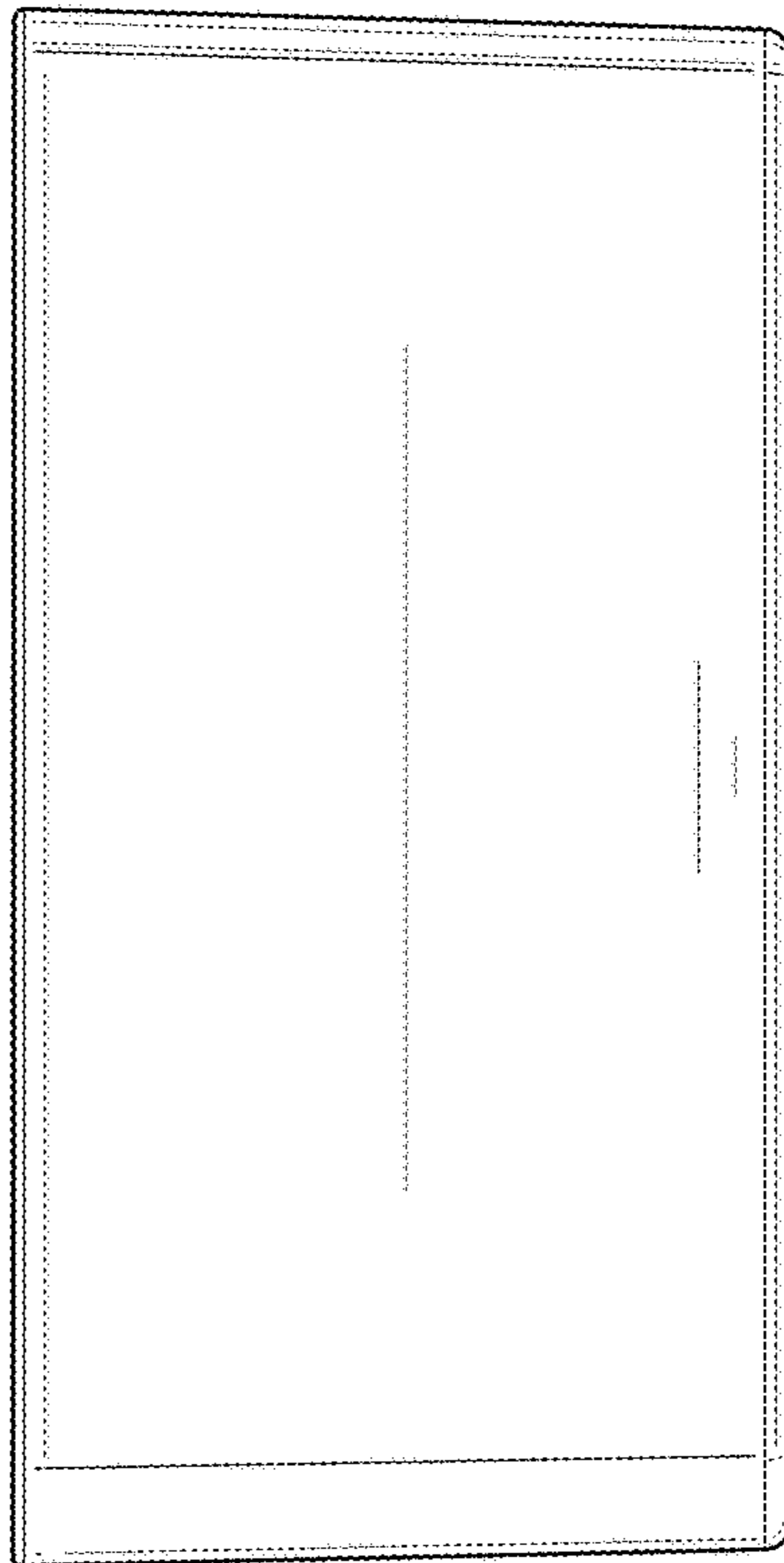


FIG. 4

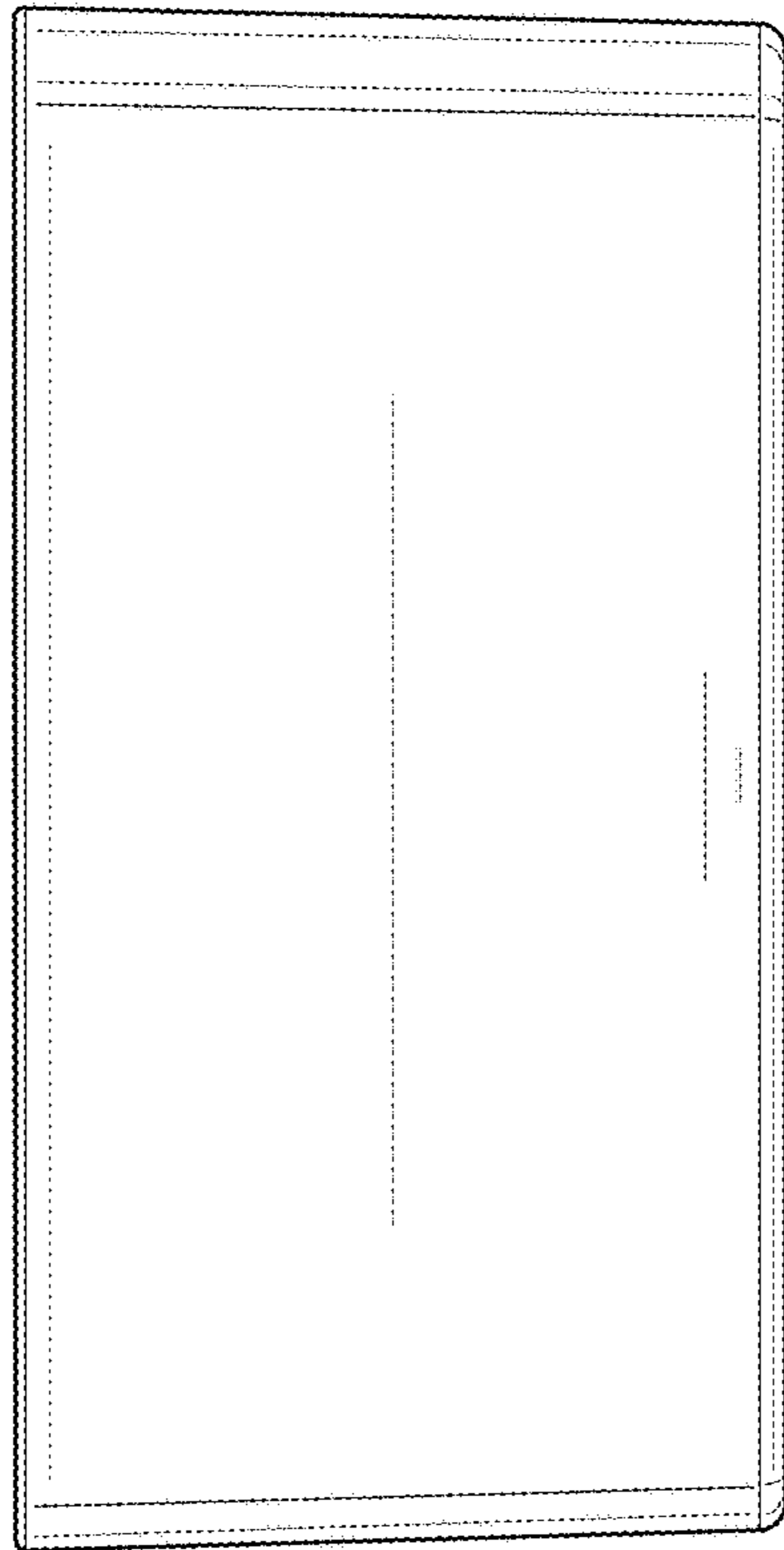


FIG. 5

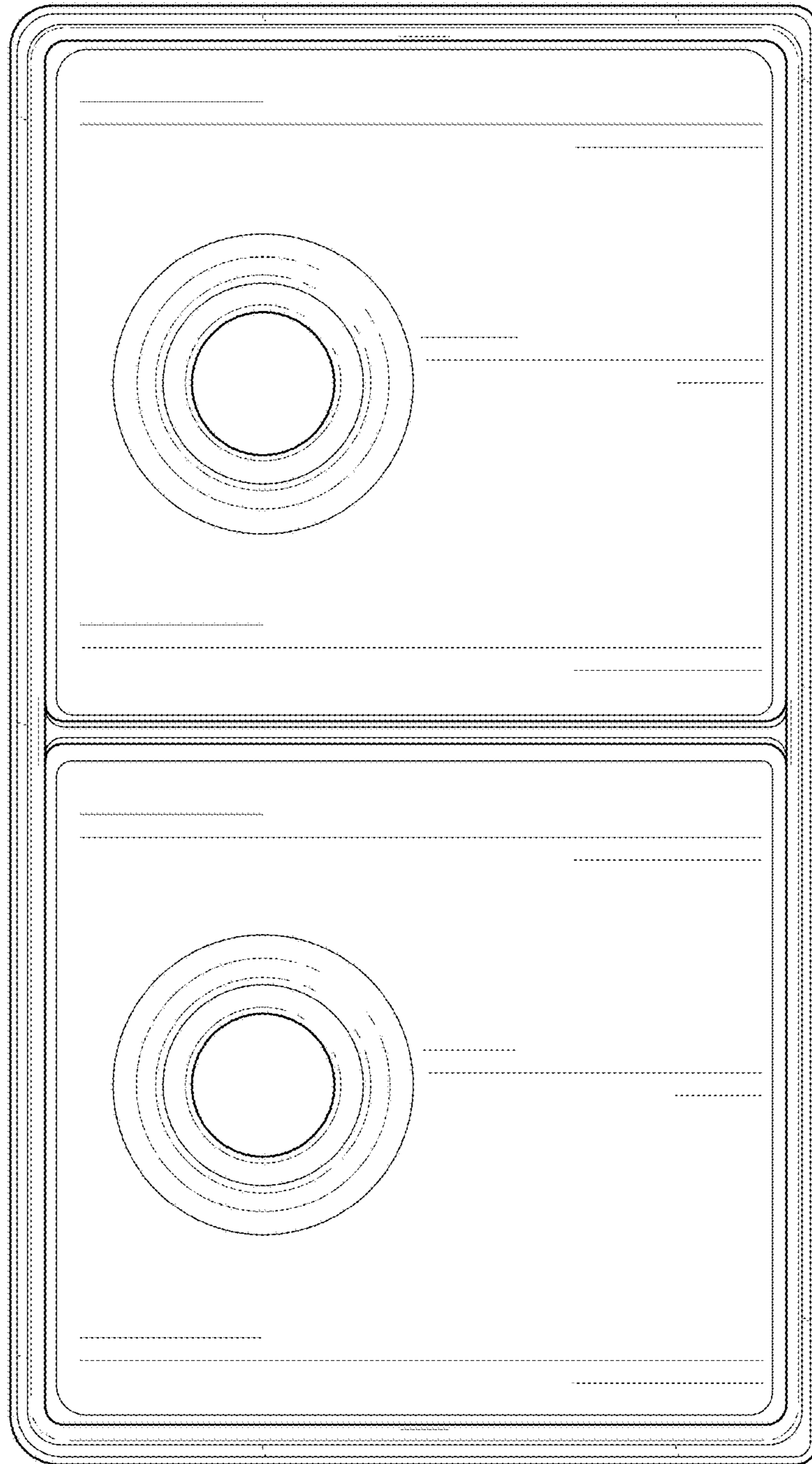


FIG. 6



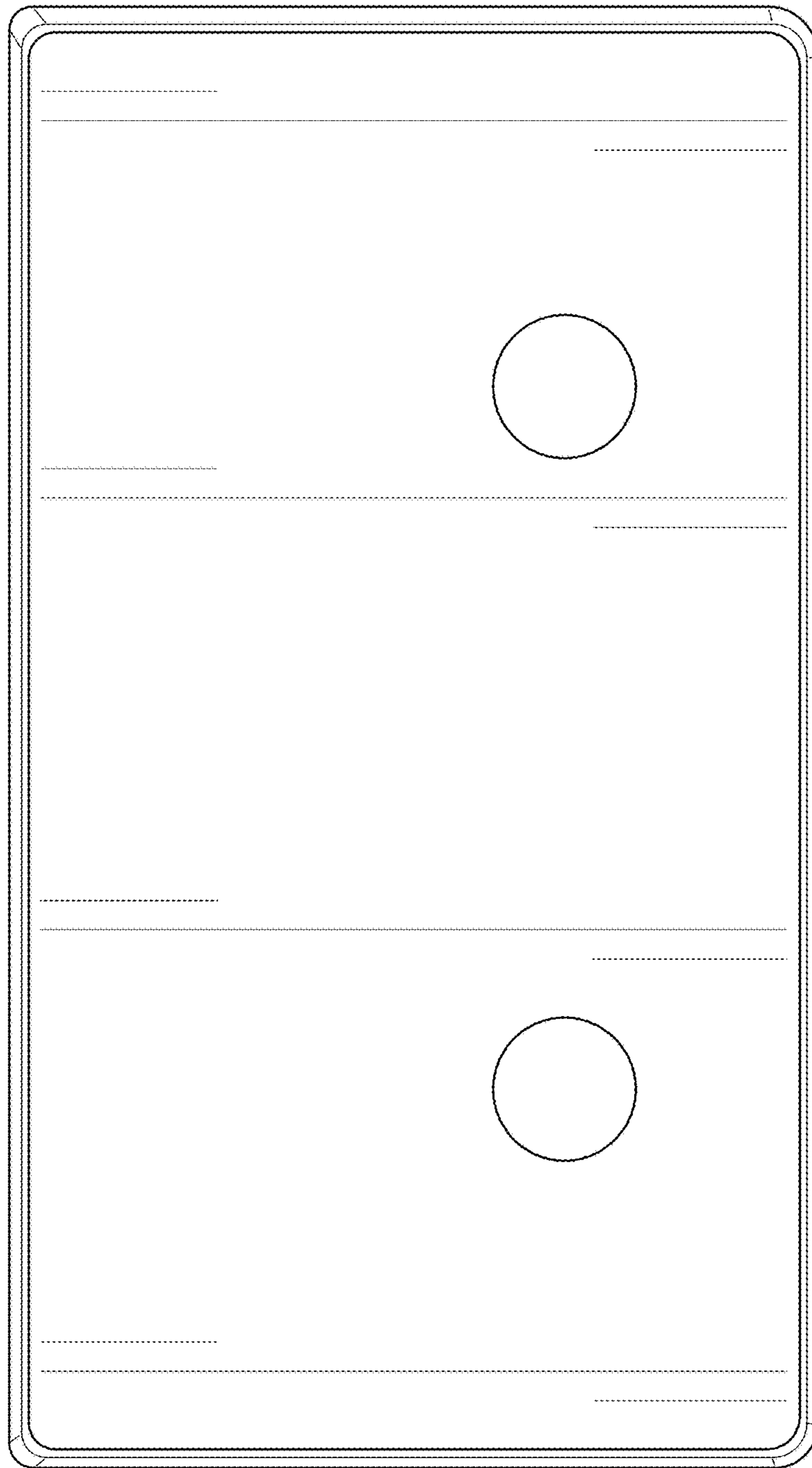


FIG. 7