



US00D849894S

(12) **United States Design Patent**
Chen et al.

(10) **Patent No.:** **US D849,894 S**

(45) **Date of Patent:** **** May 28, 2019**

(54) **SINK**

(71) Applicant: **Guangdong Yingao Kitchen Utensils Co., Ltd.**, Foshan, Guangdong (CN)

(72) Inventors: **Jiazhi Chen**, Guangdong (CN);
Huakun Liang, Guangdong (CN)

(73) Assignee: **Guangdong Yingao Kitchen Utensils Co., Ltd.**, Foshan (CN)

(**) Term: **15 Years**

(21) Appl. No.: **29/631,156**

(22) Filed: **Dec. 27, 2017**

(30) **Foreign Application Priority Data**

Jul. 25, 2017 (CN) 2017 3 0330334

(51) **LOC (11) Cl.** **23-02**

(52) **U.S. Cl.**
USPC **D23/287**

(58) **Field of Classification Search**

USPC ... D23/270, 284, 285, 290, 289, 293.1, 303,
D23/308, 499, 287; D6/524, 573,
D6/663-666, 671

CPC ... E03C 1/12; E03C 1/18; E03C 1/181; A47K
1/04; A47B 77/06; A47J 47/20

See application file for complete search history.

(56) **References Cited**

U.S. PATENT DOCUMENTS

D358,457 S * 5/1995 Dannenberg D23/293.1
D501,541 S * 2/2005 Gordon D23/284

D527,808 S * 9/2006 Wozniczka D23/290
D548,311 S * 8/2007 Mahon D23/290
D552,721 S * 10/2007 Kurth D23/284
D560,773 S * 1/2008 Kitzmiller D23/289
D610,659 S * 2/2010 Booth D23/290
D669,562 S * 10/2012 Booth D23/290
D725,241 S * 3/2015 Lo D23/272
D799,648 S * 10/2017 Chong D23/284
D816,197 S * 4/2018 Chong D23/290

* cited by examiner

Primary Examiner — Sheryl Lane

Assistant Examiner — Samantha N Wood

(57) **CLAIM**

The ornamental design for a sink, as shown and described.

DESCRIPTION

FIG. 1 is a first perspective view of a sink showing our new design;

FIG. 2 is a second perspective view thereof;

FIG. 3 is a third perspective view thereof;

FIG. 4 is a front elevational view thereof;

FIG. 5 is a rear elevational view thereof;

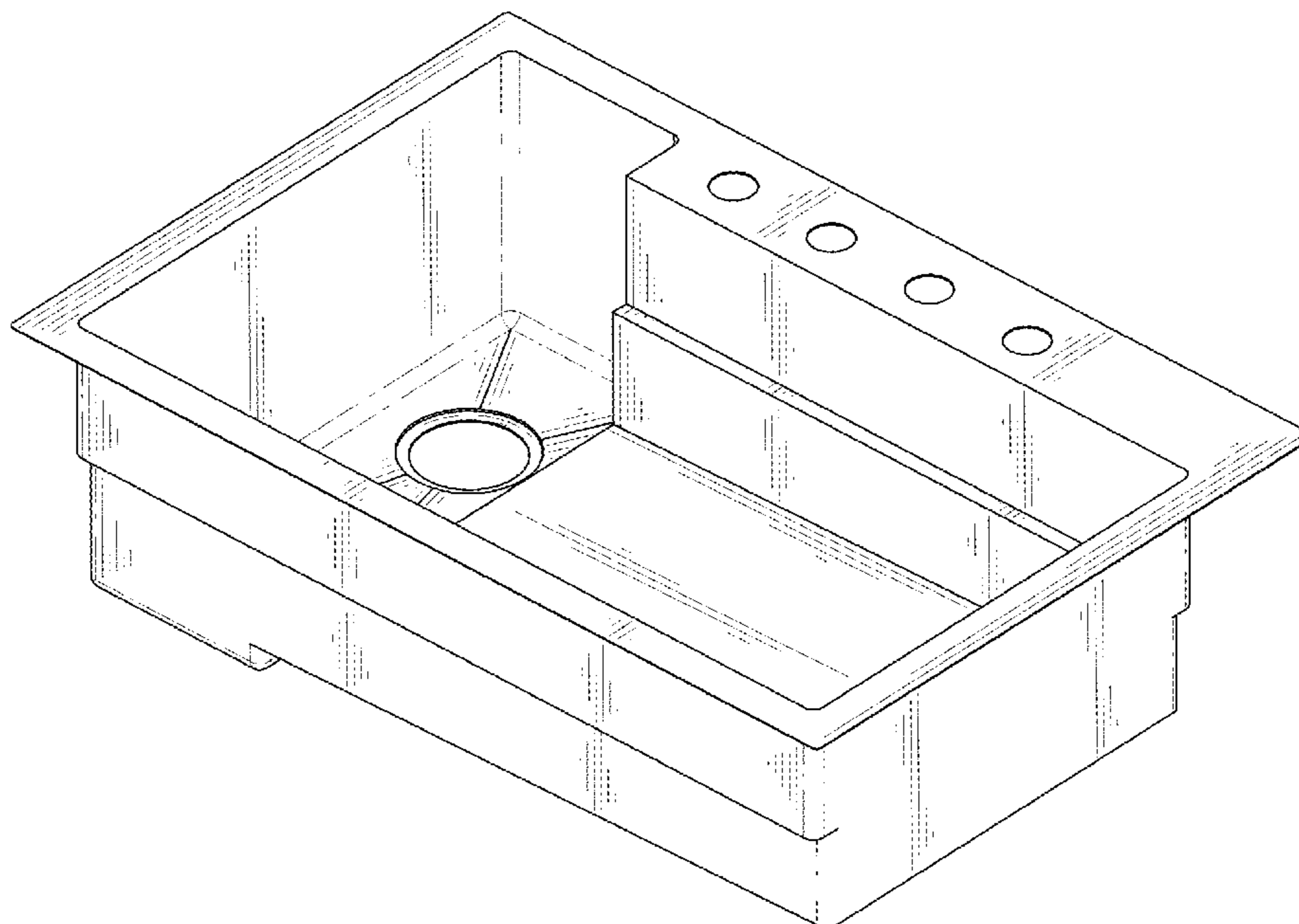
FIG. 6 is a left side view thereof;

FIG. 7 is a right side view thereof;

FIG. 8 is a top plan view thereof; and,

FIG. 9 is a bottom plan view thereof.

1 Claim, 9 Drawing Sheets



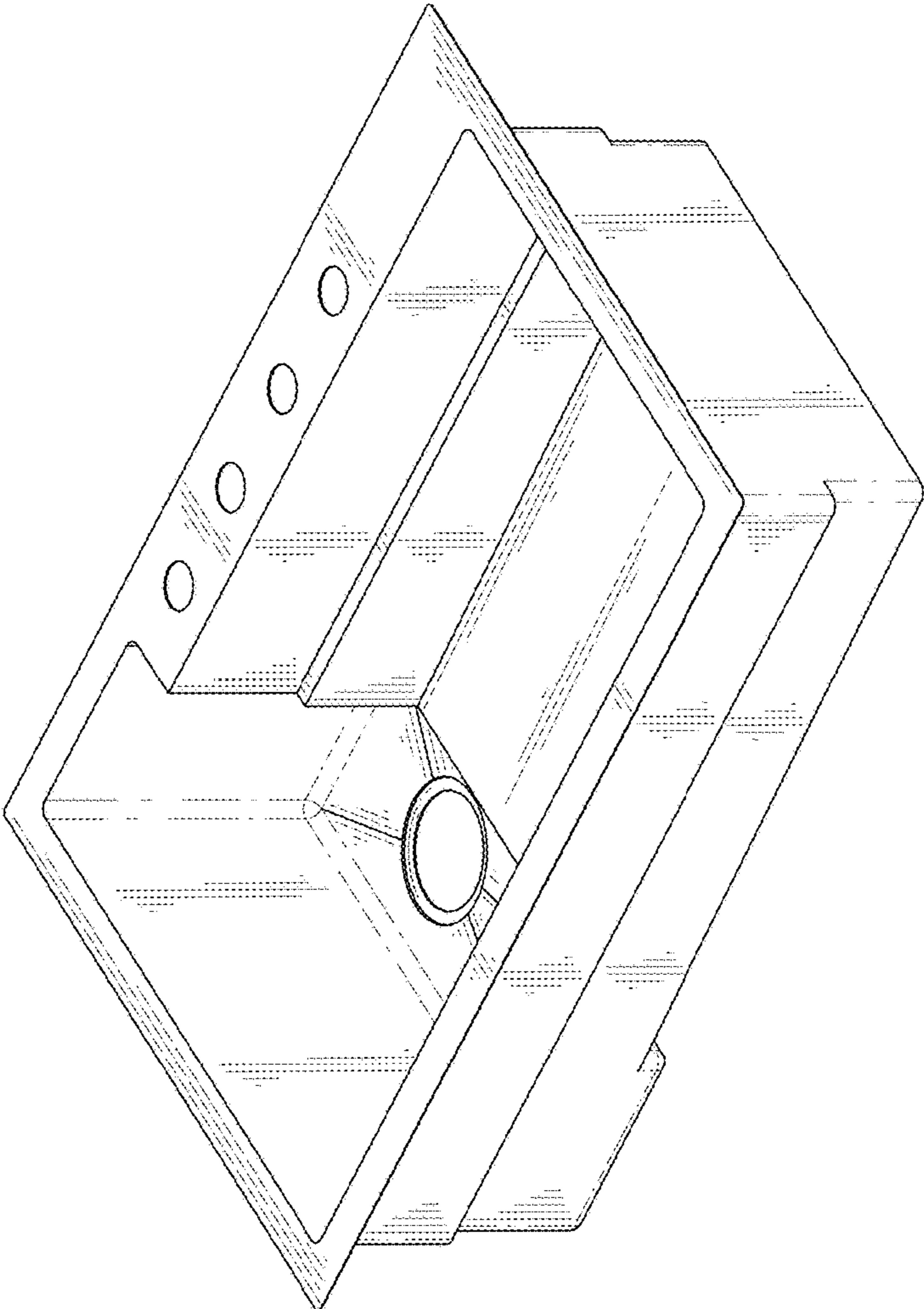


FIG. 1

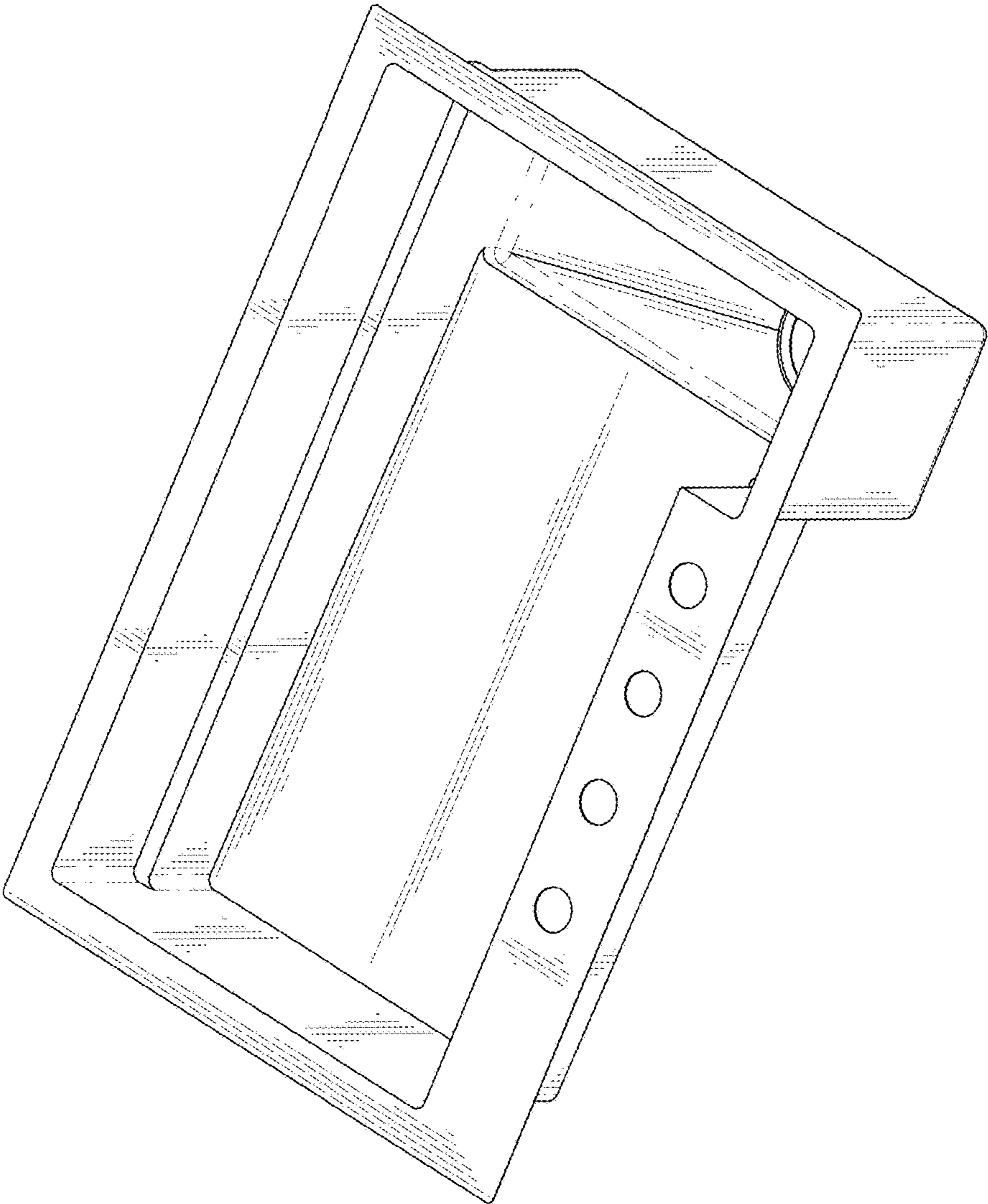


FIG. 2

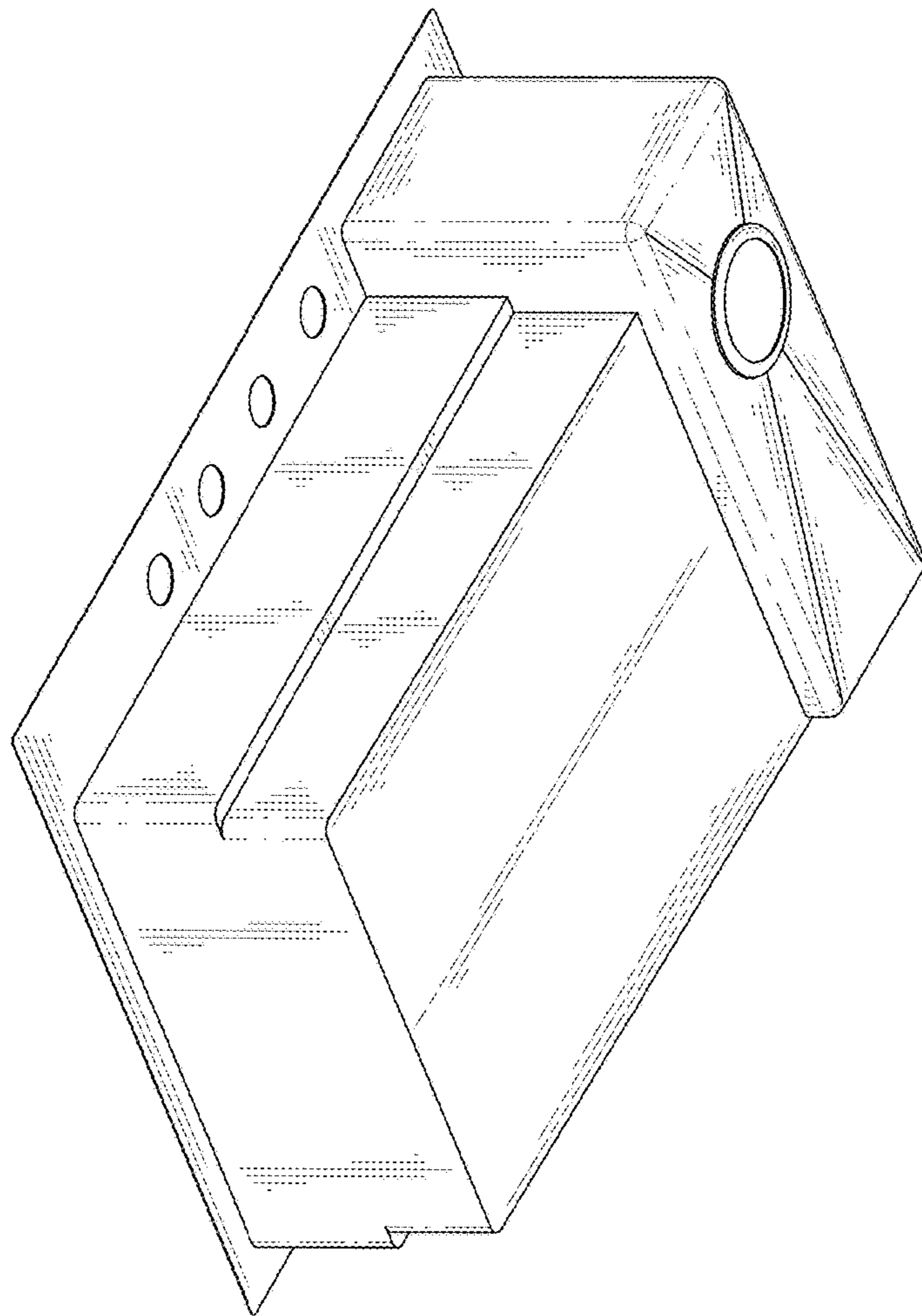


FIG. 3

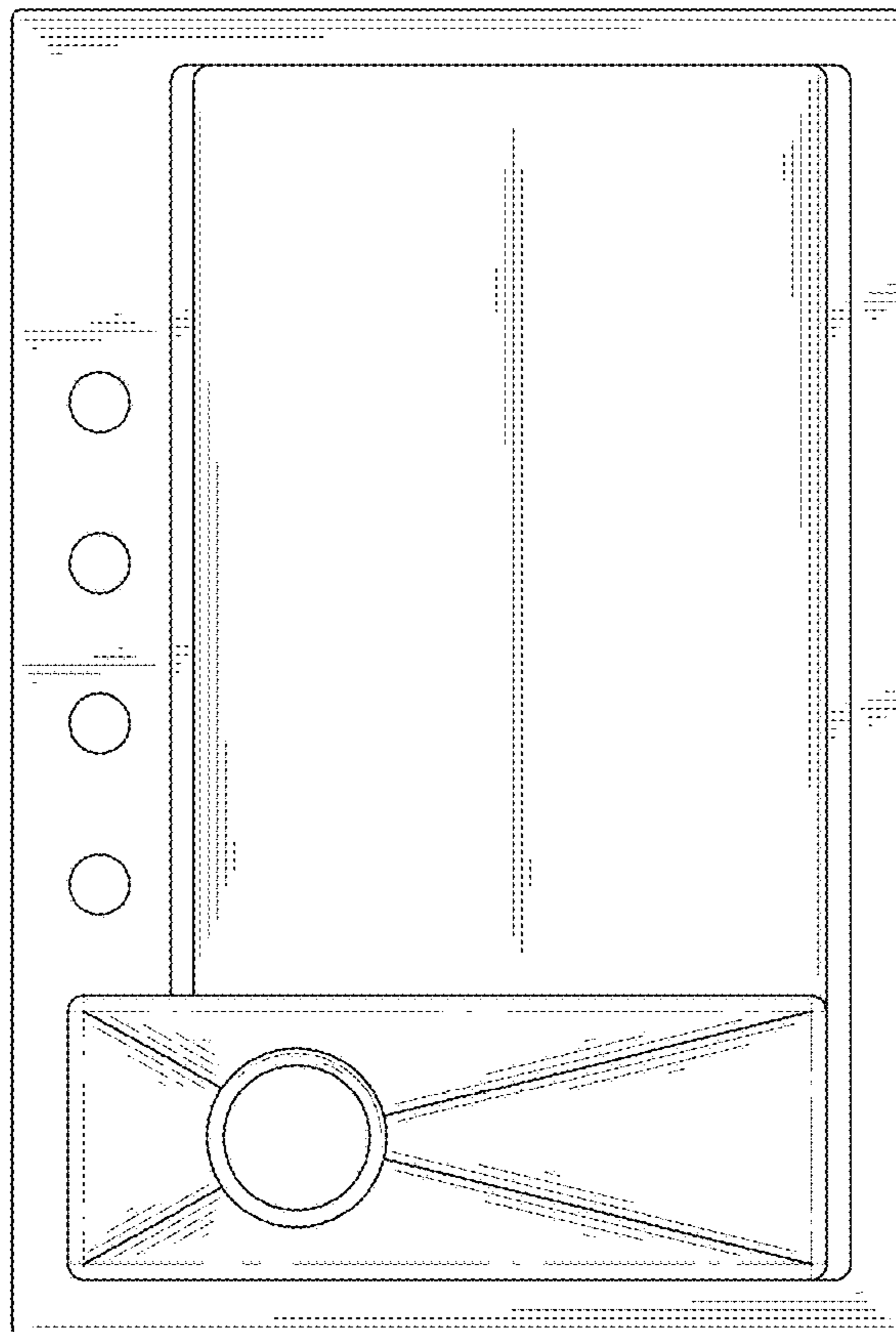


FIG. 4

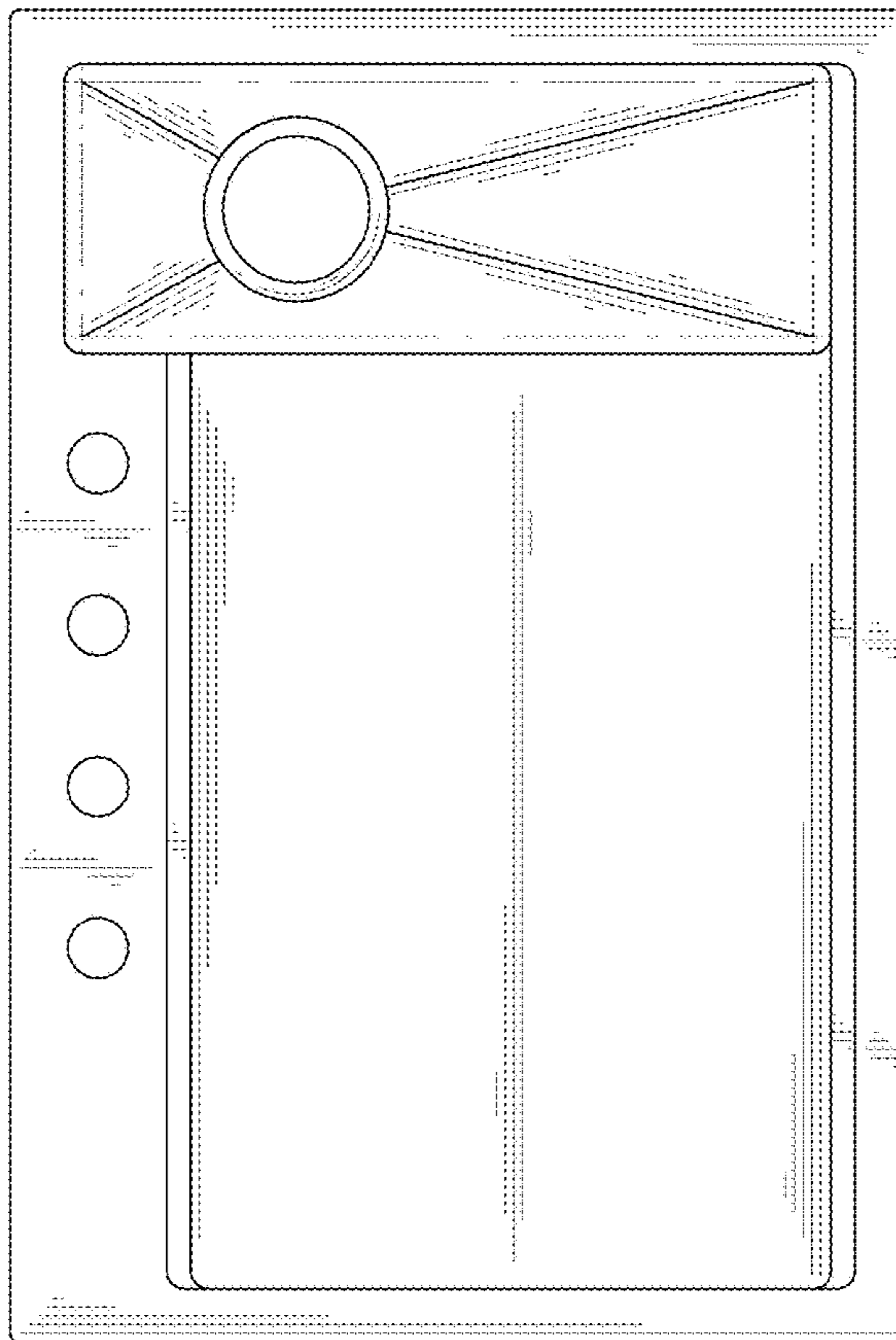


FIG. 5

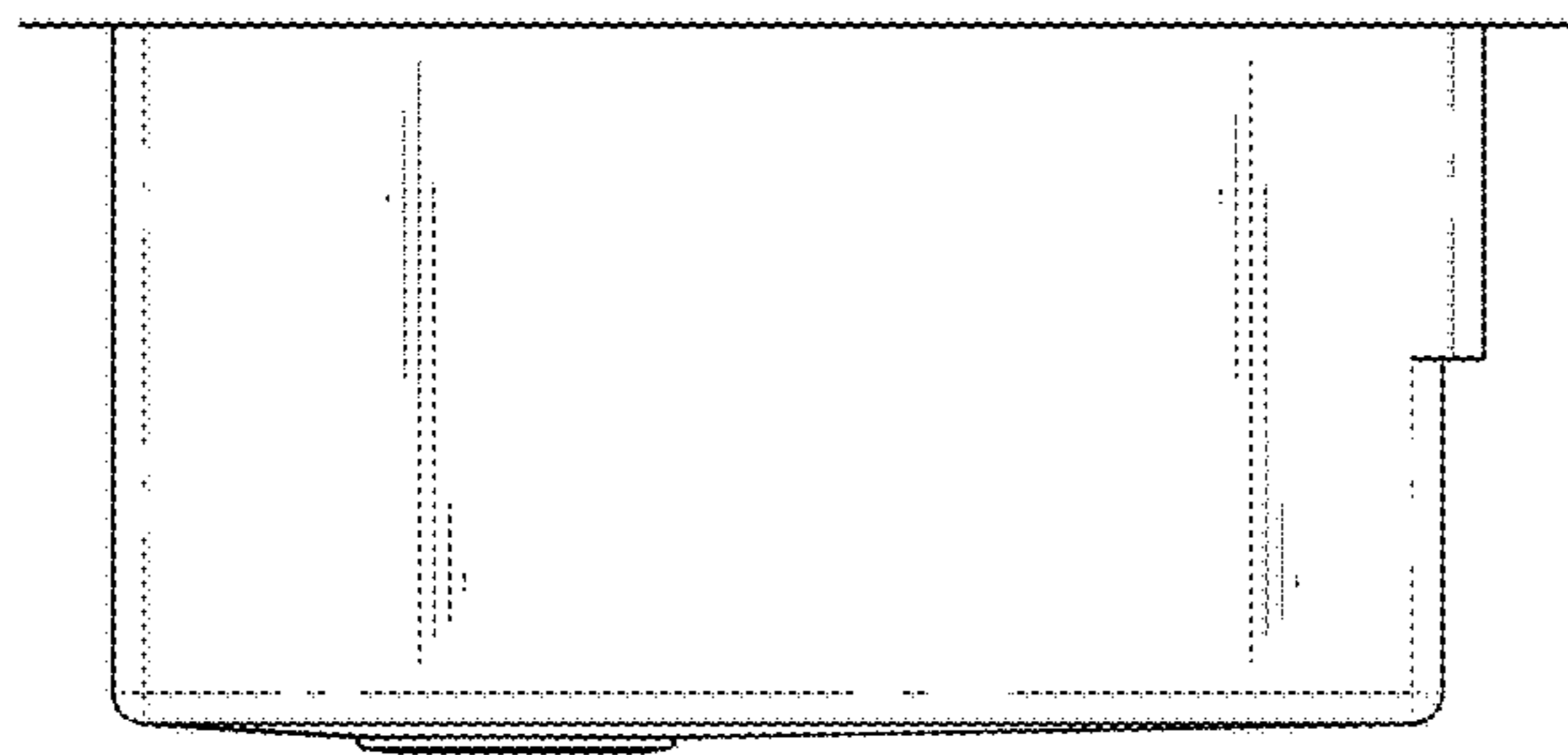


FIG. 6

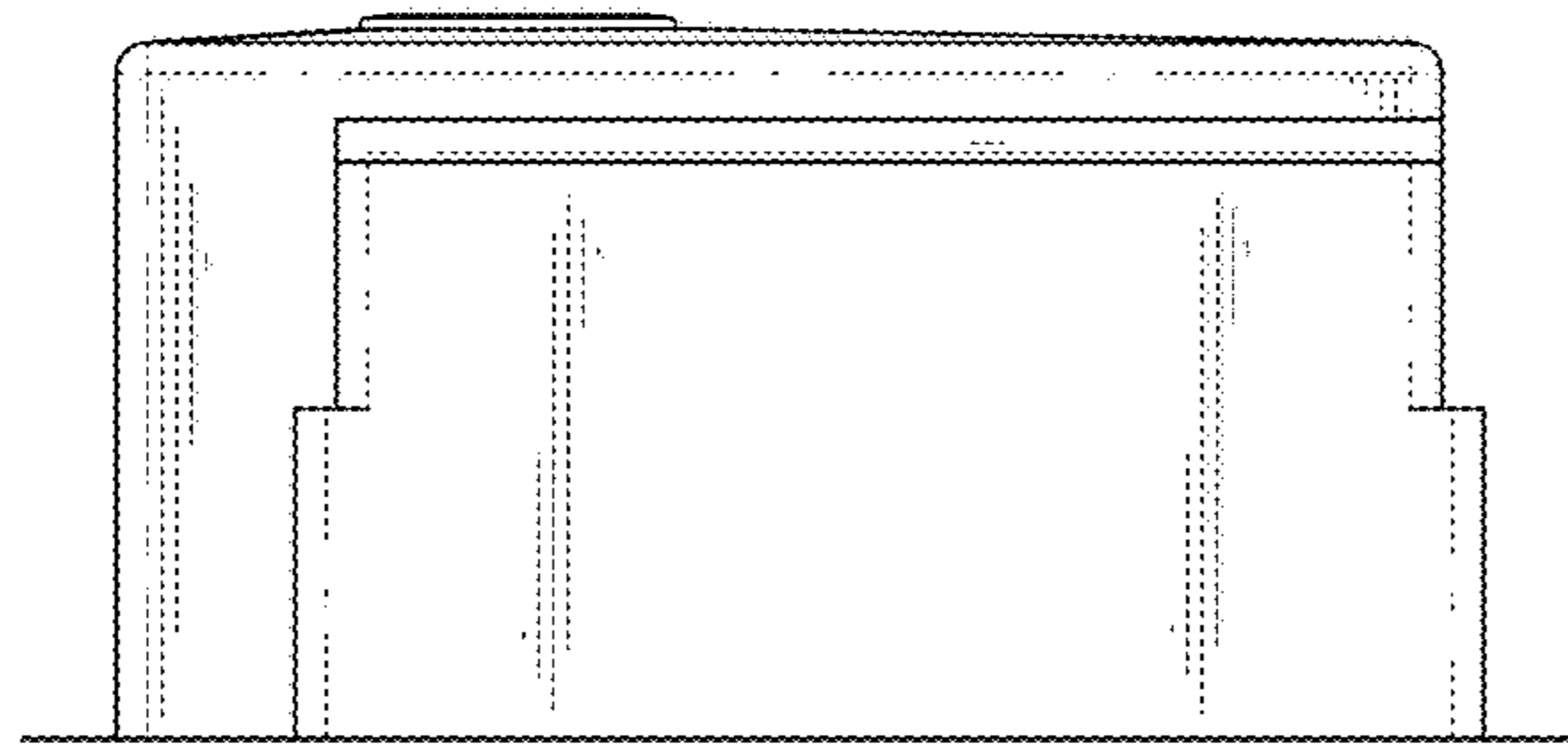


FIG. 7

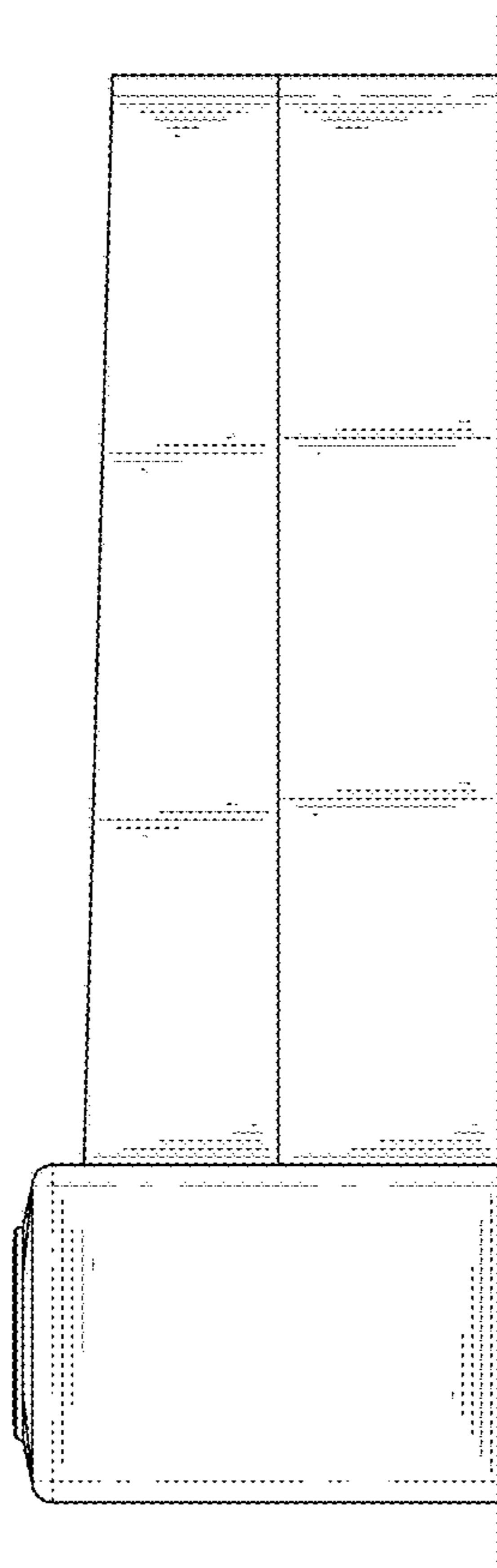


FIG. 8

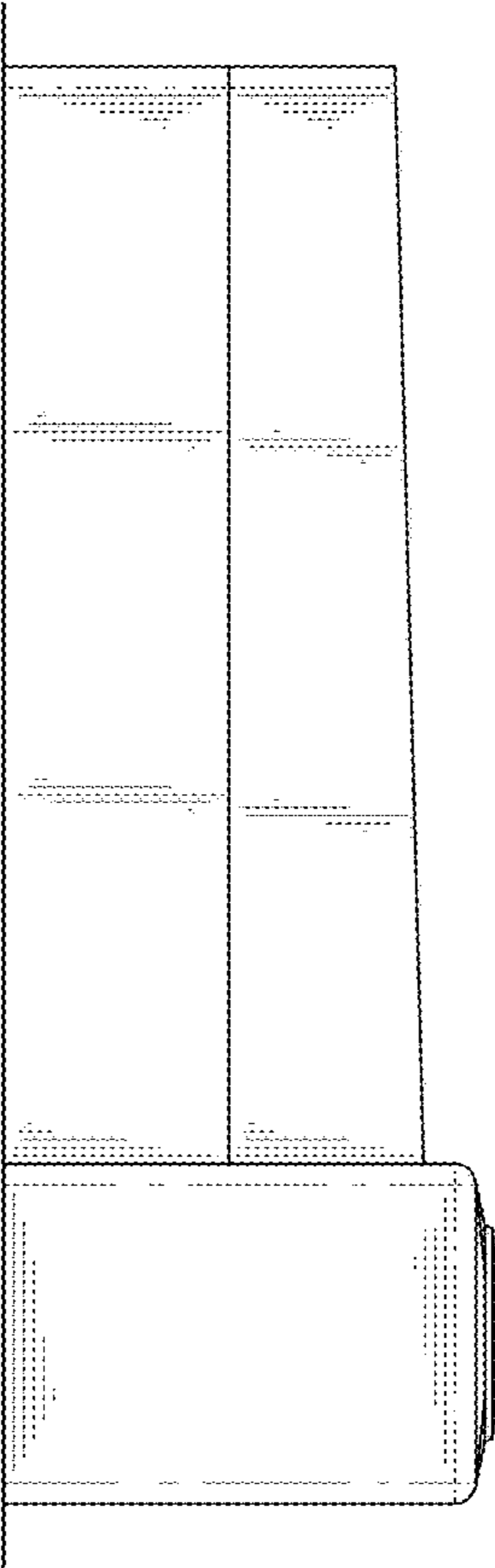


FIG. 9