



US00D849893S

(12) **United States Design Patent** (10) **Patent No.:** **US D849,893 S**  
**Chen et al.** (45) **Date of Patent:** **\*\* May 28, 2019**

(54) **SINK**

(71) Applicant: **Guangdong Yingao Kitchen Utensils Co., Ltd.**, Foshan, Guangdong (CN)

(72) Inventors: **Jiazhi Chen**, Guangdong (CN);  
**Huakun Liang**, Guangdong (CN)

(73) Assignee: **Guangdong Yingao Kitchen Utensils Co., Ltd.**, Foshan (CN)

(\*\*) Term: **15 Years**

(21) Appl. No.: **29/631,153**

(22) Filed: **Dec. 27, 2017**

(30) **Foreign Application Priority Data**

Jul. 25, 2017 (CN) ..... 2017 3 0330568

(51) **LOC (11) Cl.** ..... **23-02**

(52) **U.S. Cl.**  
USPC ..... **D23/287**

(58) **Field of Classification Search**  
USPC ... D23/270, 284, 285, 290, 289, 293.1, 303,  
D23/308, 499, 287; D6/524, 573,  
D6/663-666, 671  
CPC ... E03C 1/12; E03C 1/18; E03C 1/181; A47K  
1/04; A47B 77/06; A47J 47/20  
See application file for complete search history.

(56) **References Cited**

**U.S. PATENT DOCUMENTS**

D463,538 S *	9/2002	Chipperfield	.....	D23/284
D499,468 S *	12/2004	Trepanier	.....	D23/286
D506,245 S *	6/2005	Painter	.....	D23/287
D560,773 S *	1/2008	Kitzmilller	.....	D23/289
D575,379 S *	8/2008	Ziemann	.....	D23/284
D598,082 S *	8/2009	Booth	.....	D23/284
D630,715 S *	1/2011	Thomas	.....	D23/284
D631,143 S *	1/2011	Thomas	.....	D23/284
D725,241 S *	3/2015	Lo	.....	D23/272
D816,197 S *	4/2018	Chong	.....	D23/290

**OTHER PUBLICATIONS**

3D Warehouse, Industrial stainless steel sink, modified Jan. 16, 2017, [online], [site visited Dec. 17, 2018]. Available from Internet, <URL: <https://3dwarehouse.sketchup.com/model/e1cd9097-e816-4af2-a9fa-840910376590/Industrial-stainless-steel-sink?hl=en>> (Year: 2017).\*

\* cited by examiner

*Primary Examiner* — Sheryl Lane

*Assistant Examiner* — Samantha N Wood

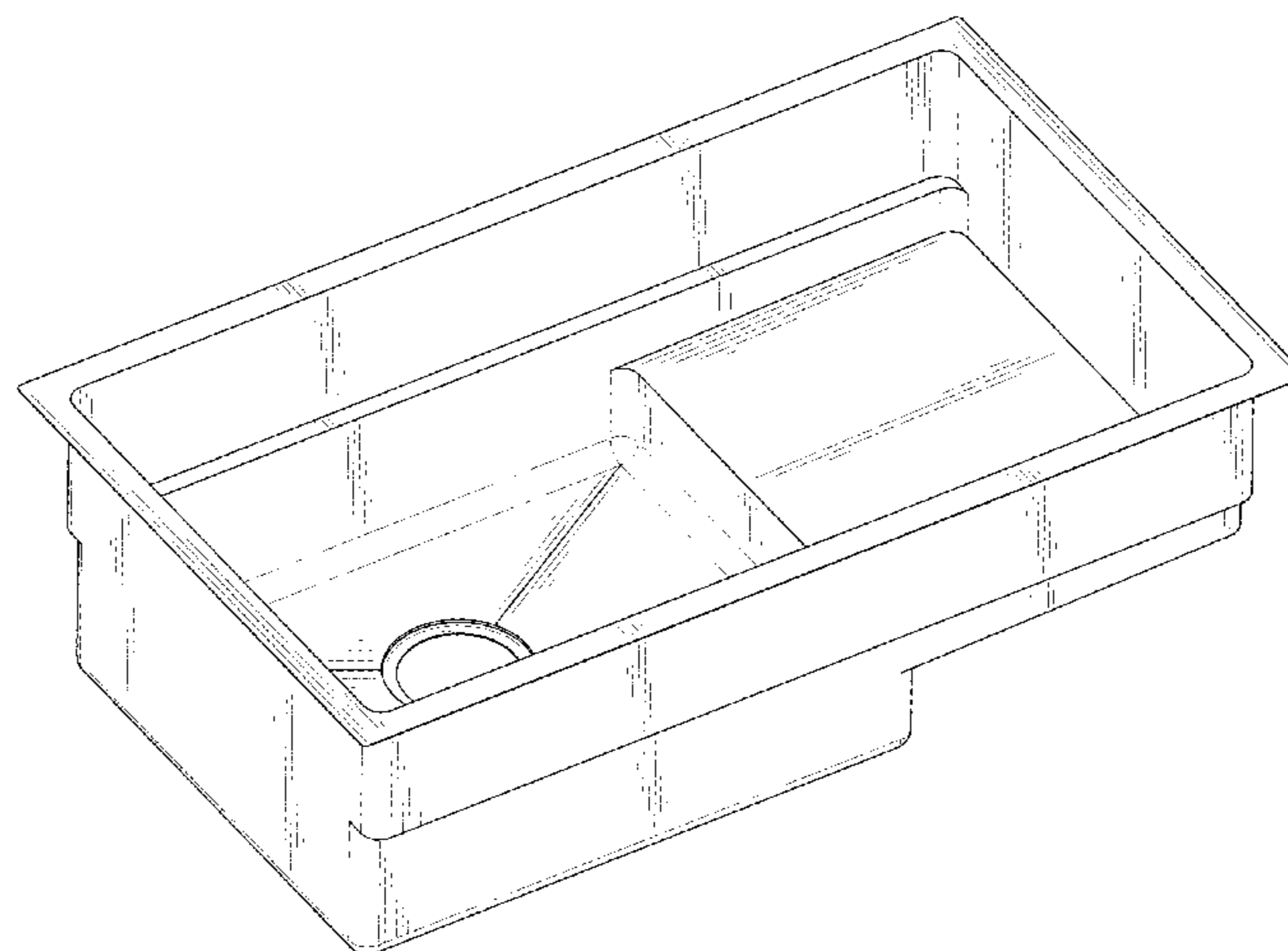
(57) **CLAIM**

The ornamental design for a sink, as shown and described.

**DESCRIPTION**

FIG. 1 is a first perspective view of a first embodiment of a sink showing our new design;  
FIG. 2 is a second perspective view of FIG. 1;  
FIG. 3 is a third perspective view of FIG. 1;  
FIG. 4 is a front elevational view of FIG. 1;  
FIG. 5 is a rear elevational view of FIG. 1;  
FIG. 6 is a left side view of FIG. 1;  
FIG. 7 is a right side view of FIG. 1;  
FIG. 8 is a top plan view of FIG. 1;  
FIG. 9 is a bottom plan view of FIG. 1;  
FIG. 10 is a first perspective view of a second embodiment of the sink;  
FIG. 11 is a second perspective view of FIG. 10;  
FIG. 12 is a third perspective view of FIG. 10;  
FIG. 13 is a front elevational view of FIG. 10;  
FIG. 14 is a rear elevational view of FIG. 10;  
FIG. 15 is a left side view of FIG. 10;  
FIG. 16 is a right side view of FIG. 10;  
FIG. 17 is a top plan view of FIG. 10; and,  
FIG. 18 is a bottom plan view of FIG. 10.

**1 Claim, 18 Drawing Sheets**



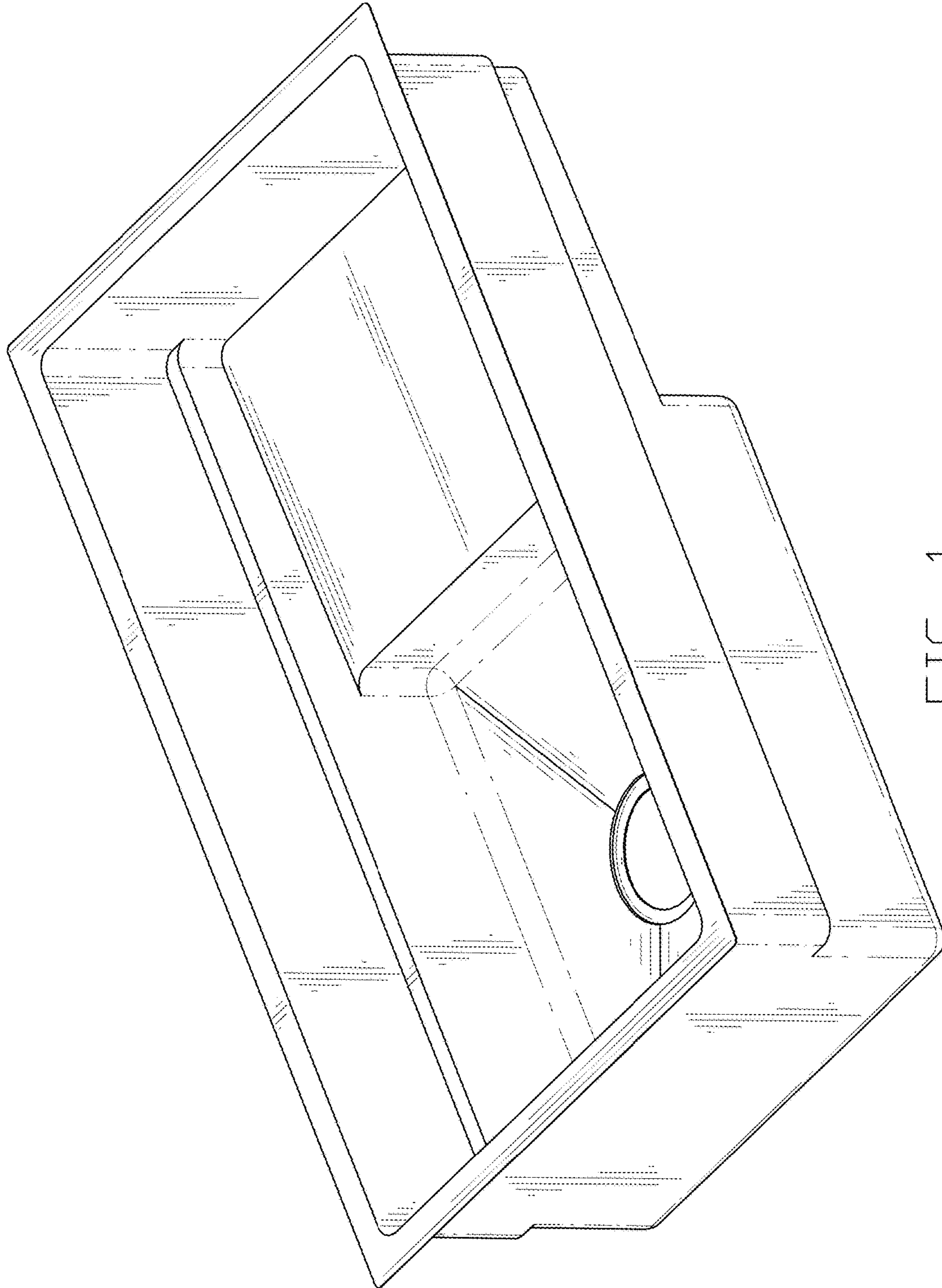


FIG. 1

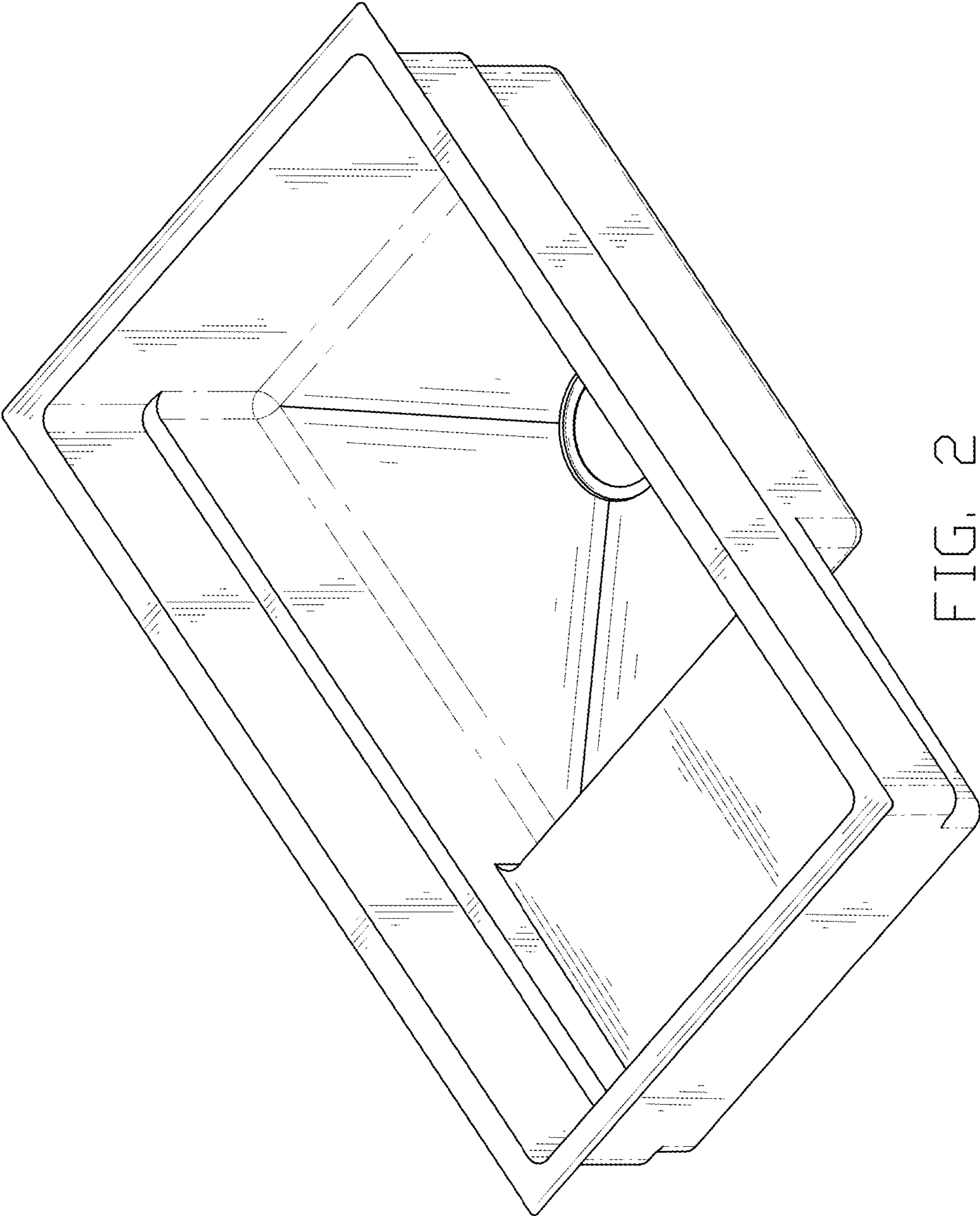


FIG. 2

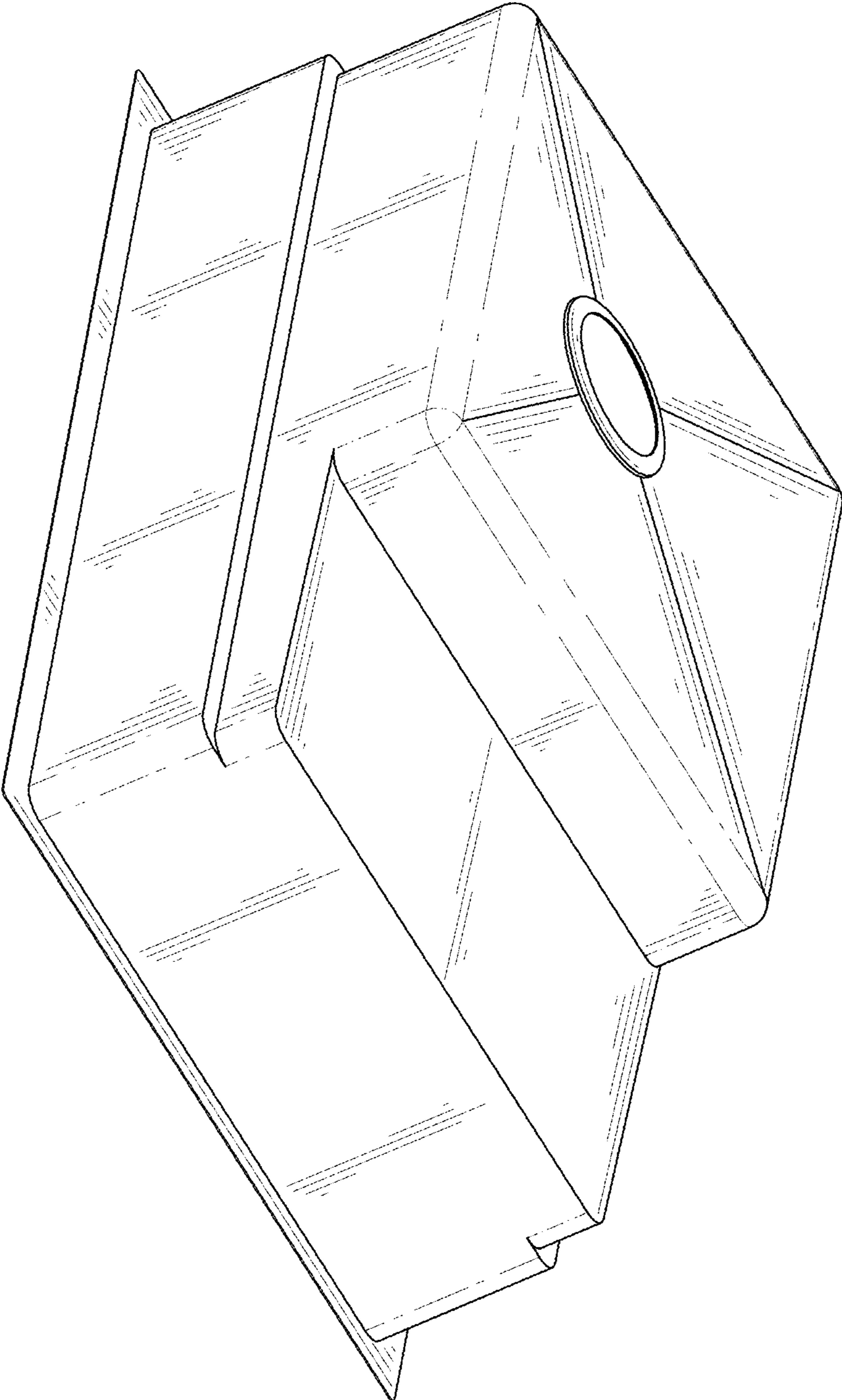


FIG. 3

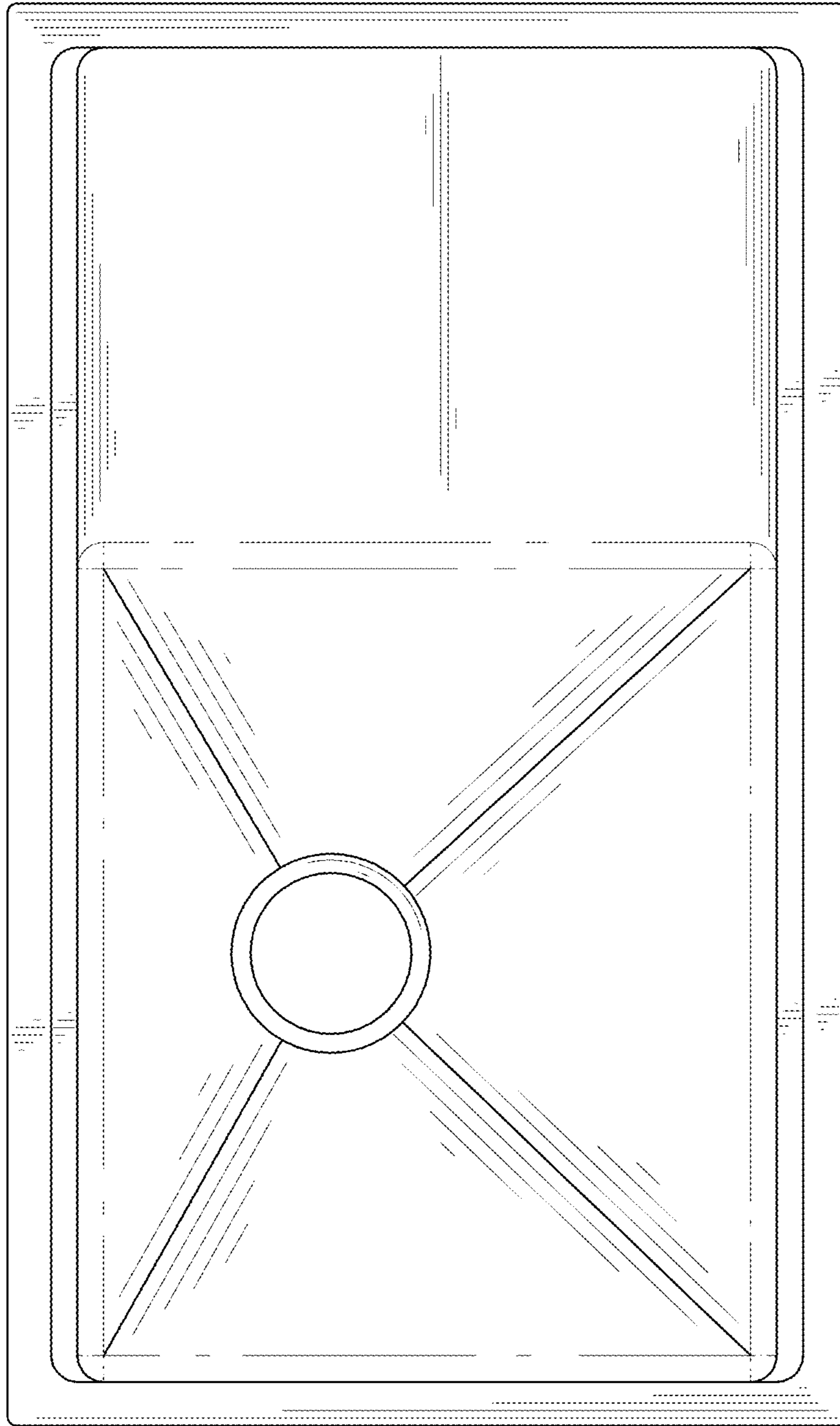


FIG. 4

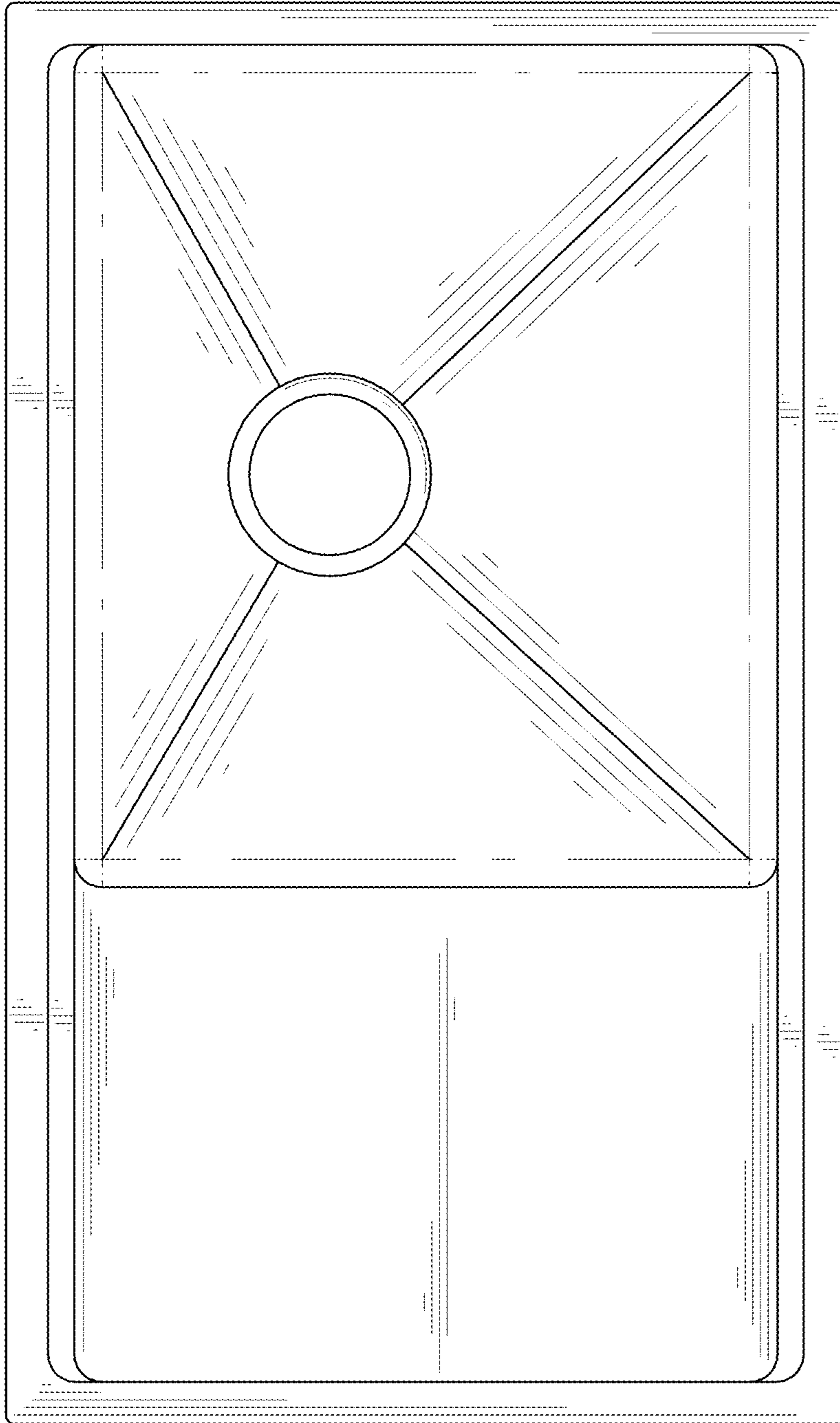


FIG. 5

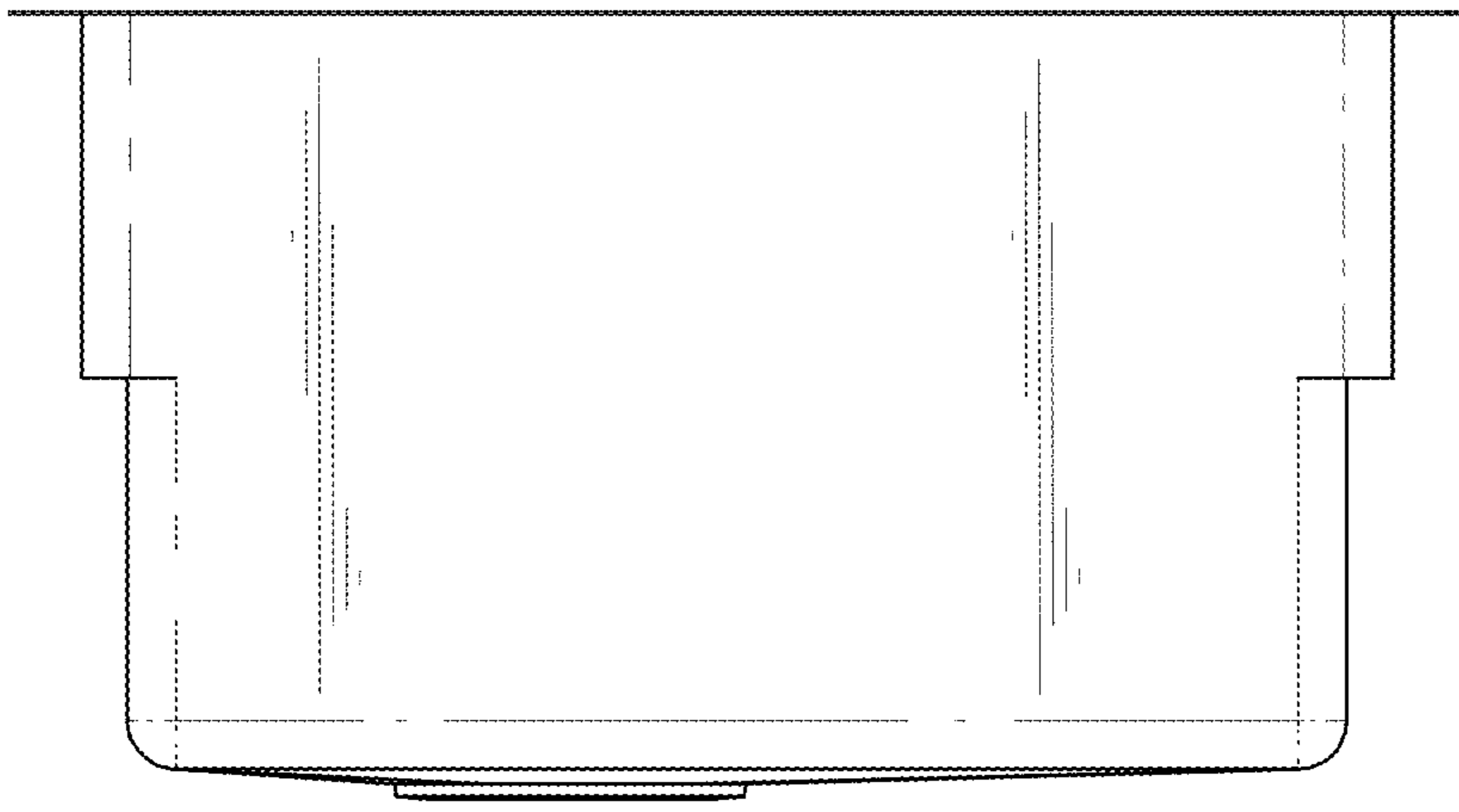


FIG. 6

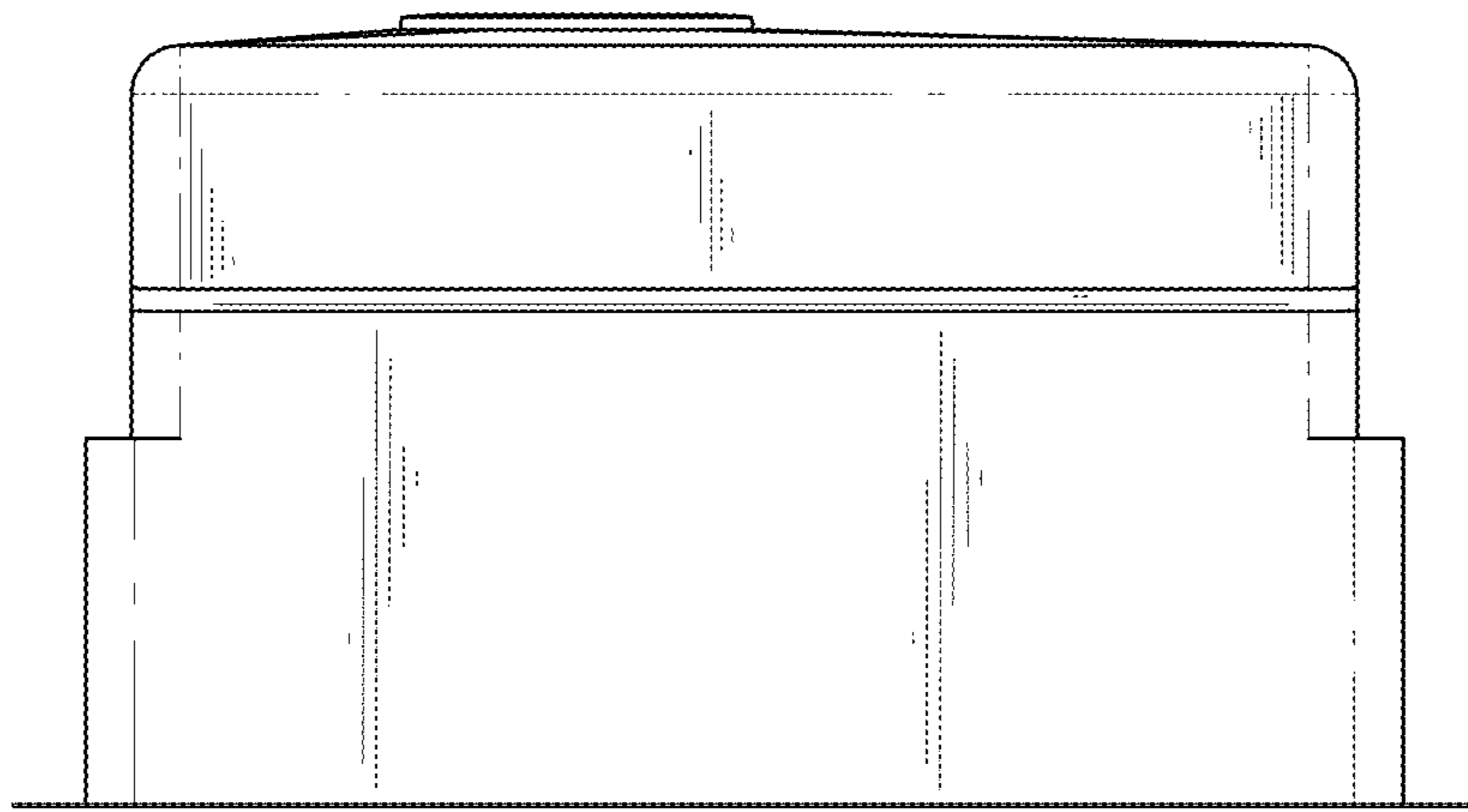


FIG. 7



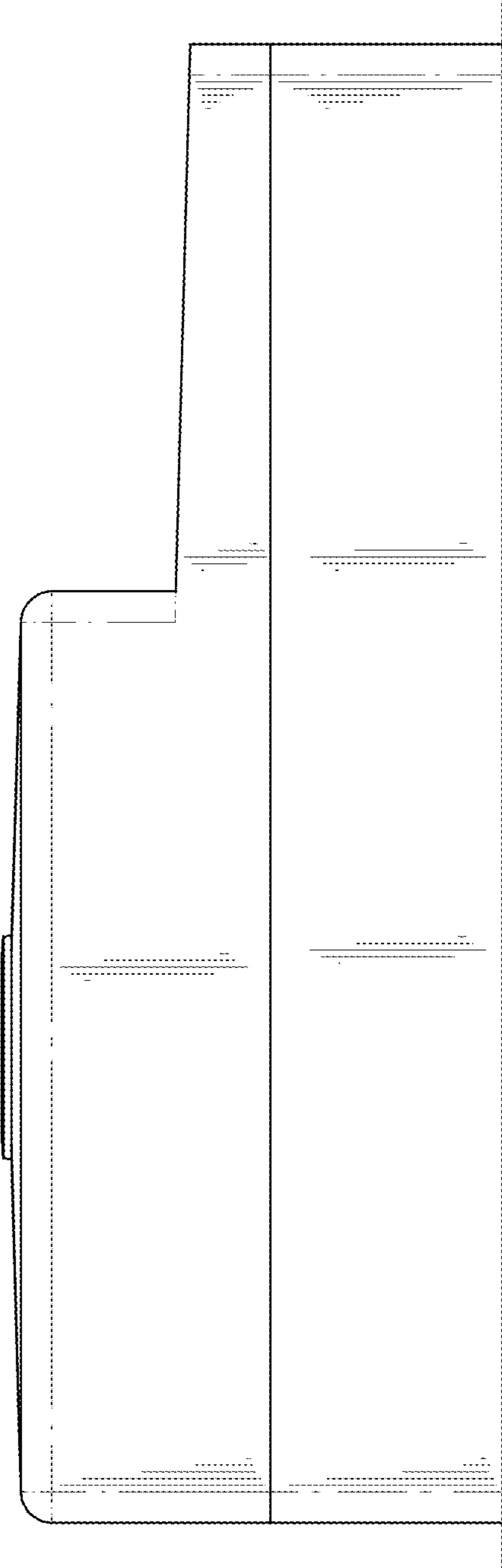


FIG. 8

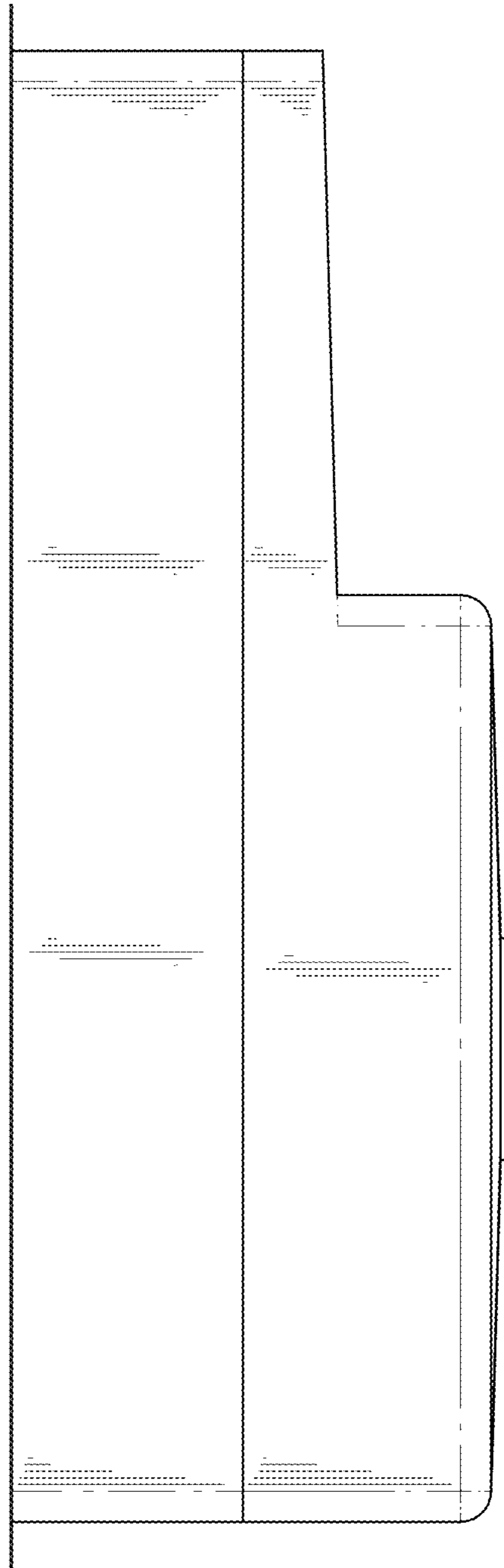


FIG. 9

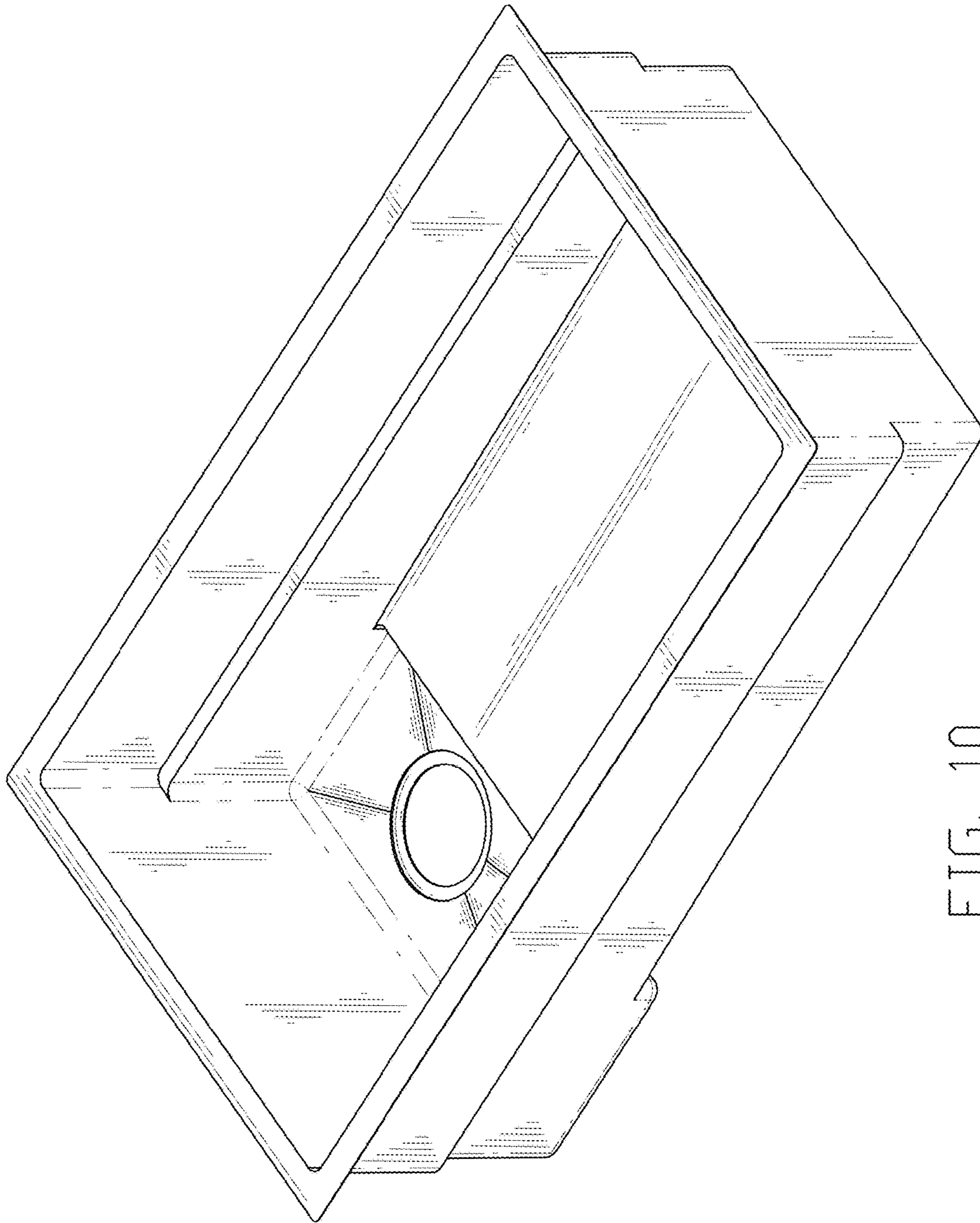


FIG. 10

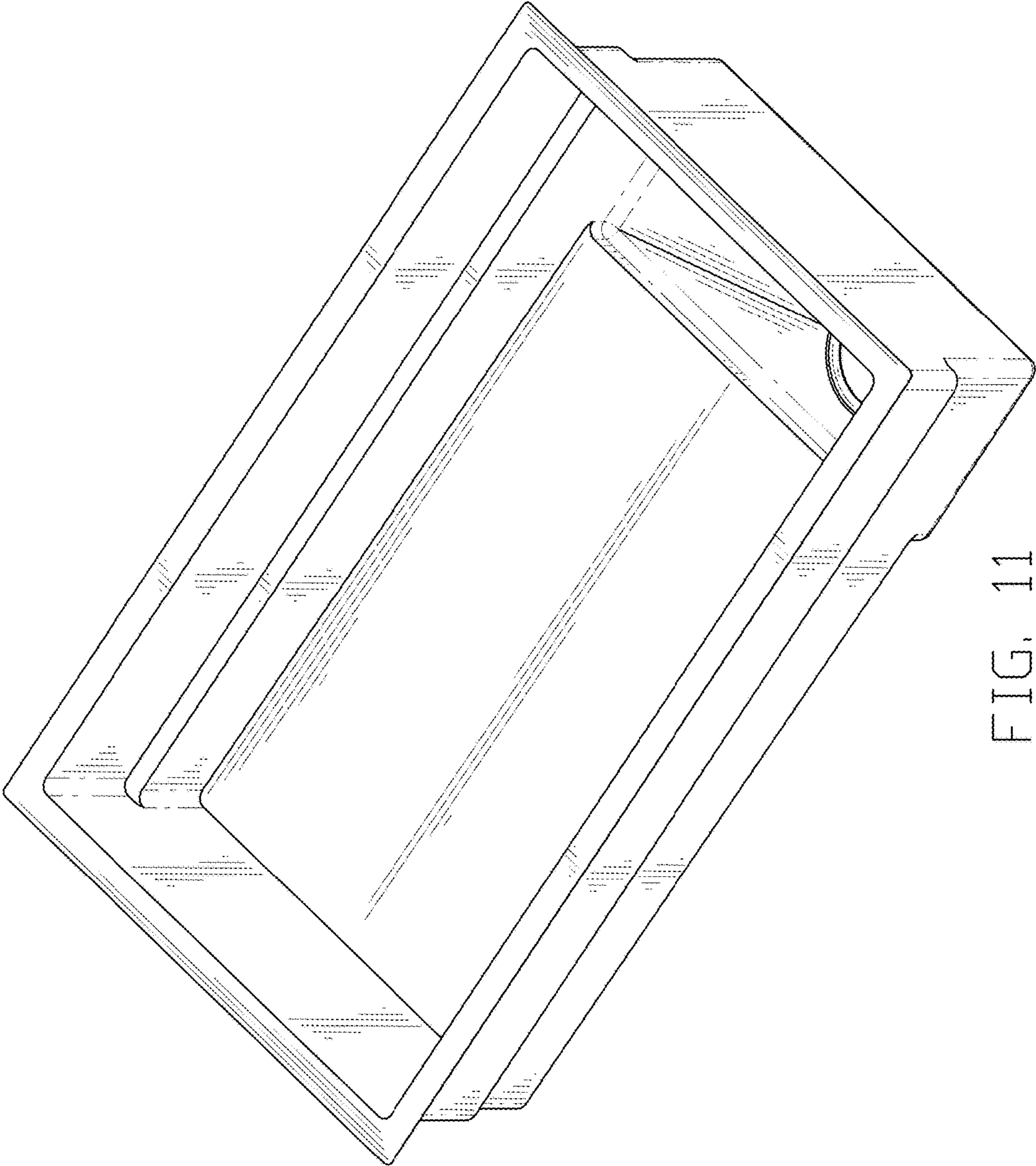


FIG. 11

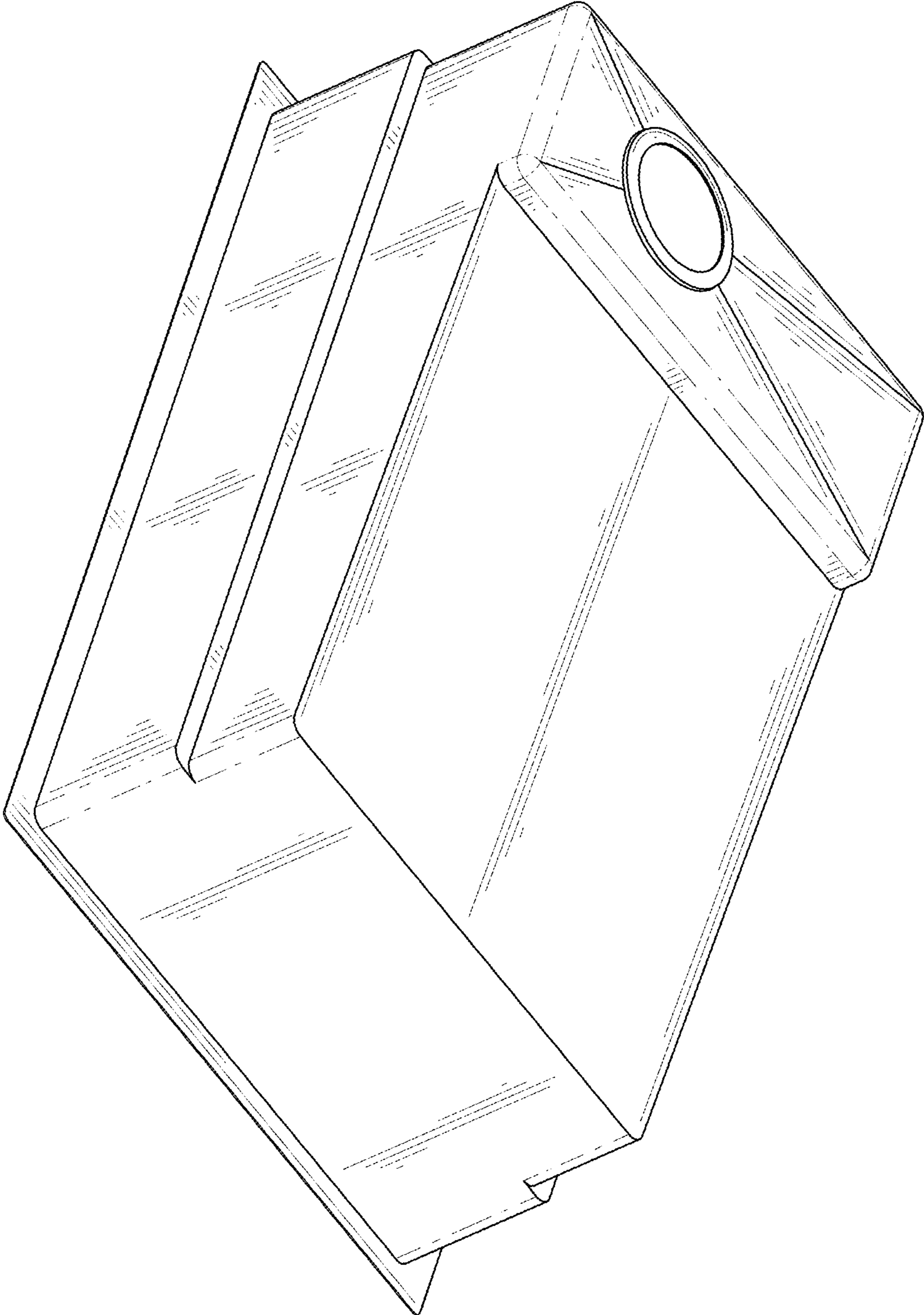


FIG. 12

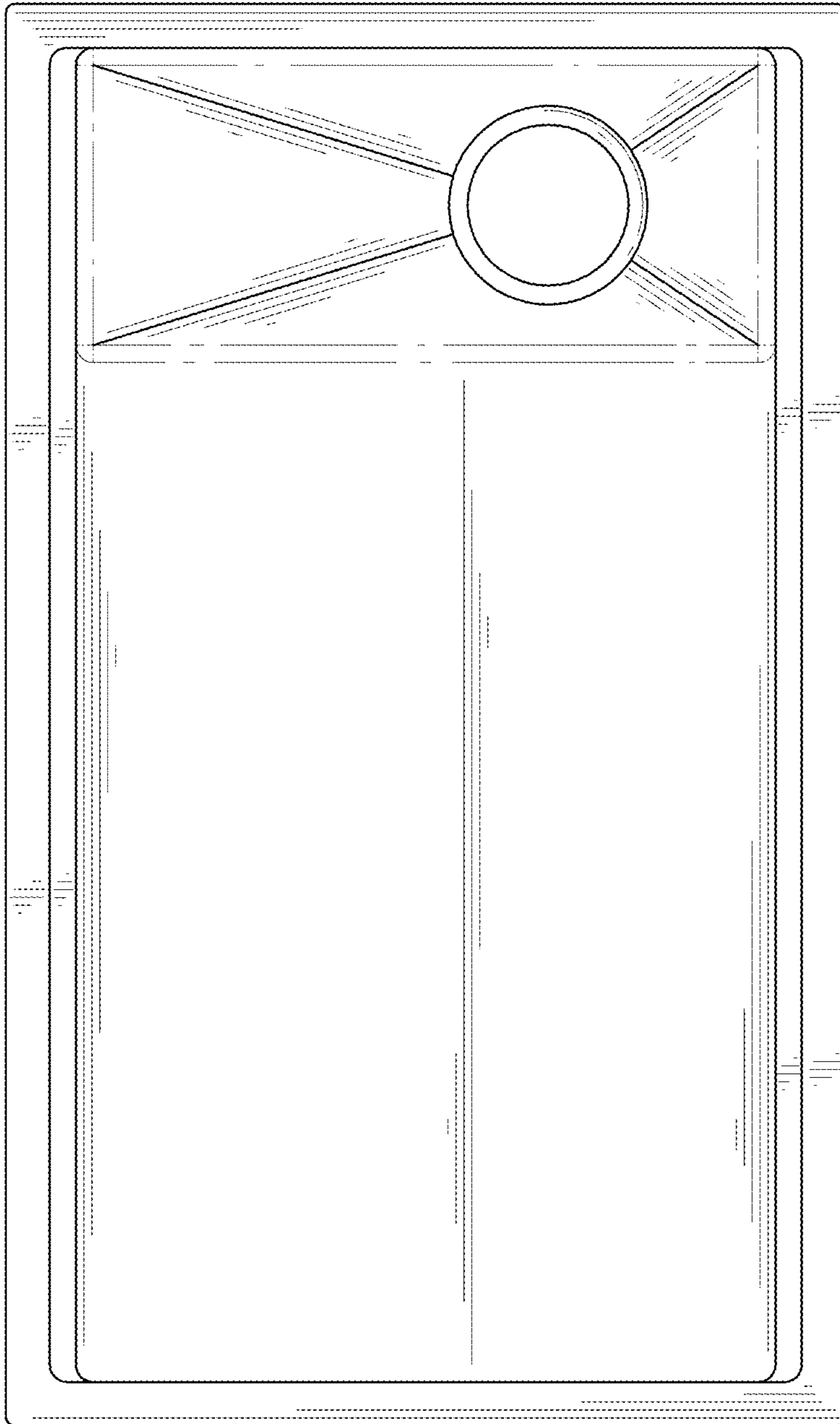


FIG. 13

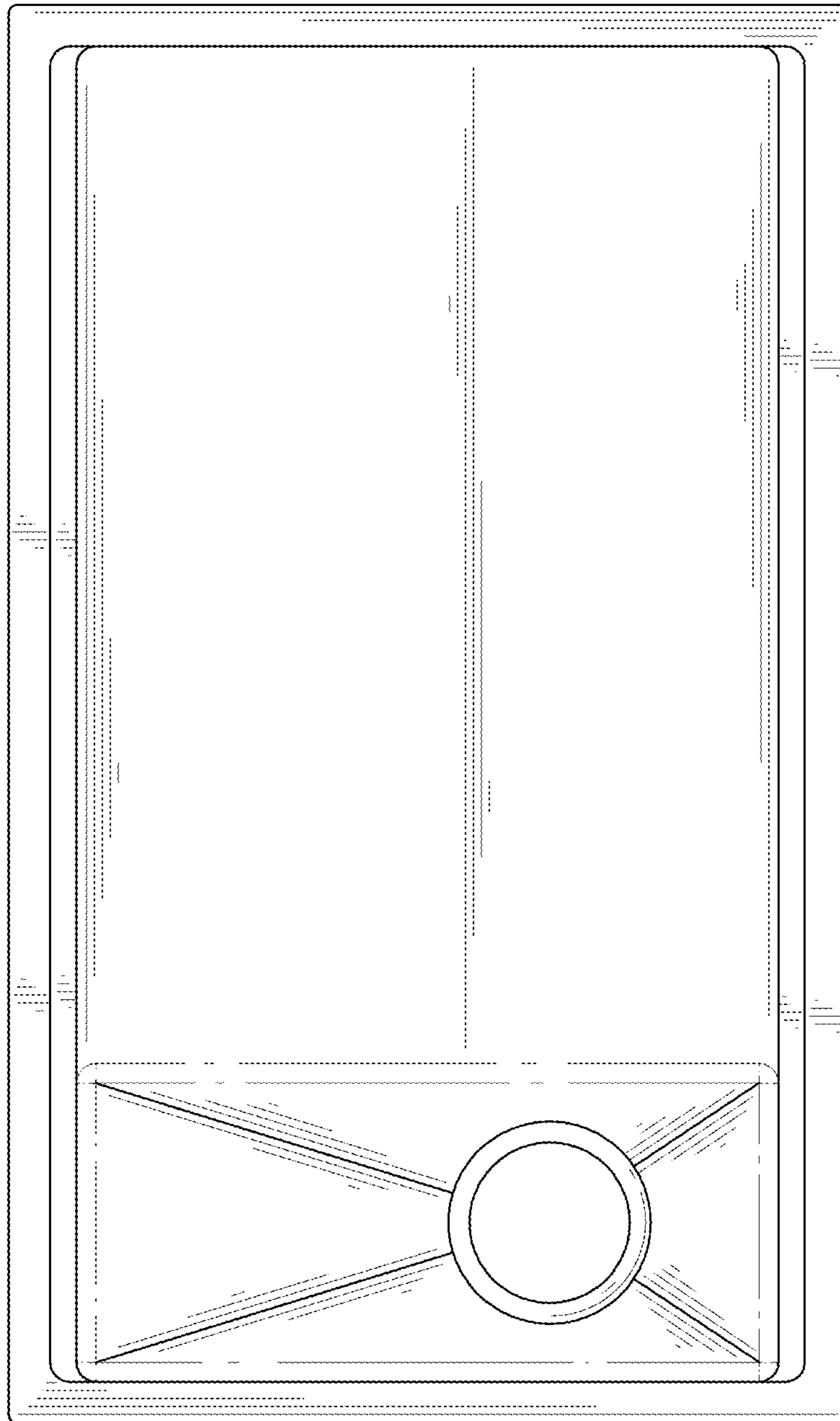


FIG. 14

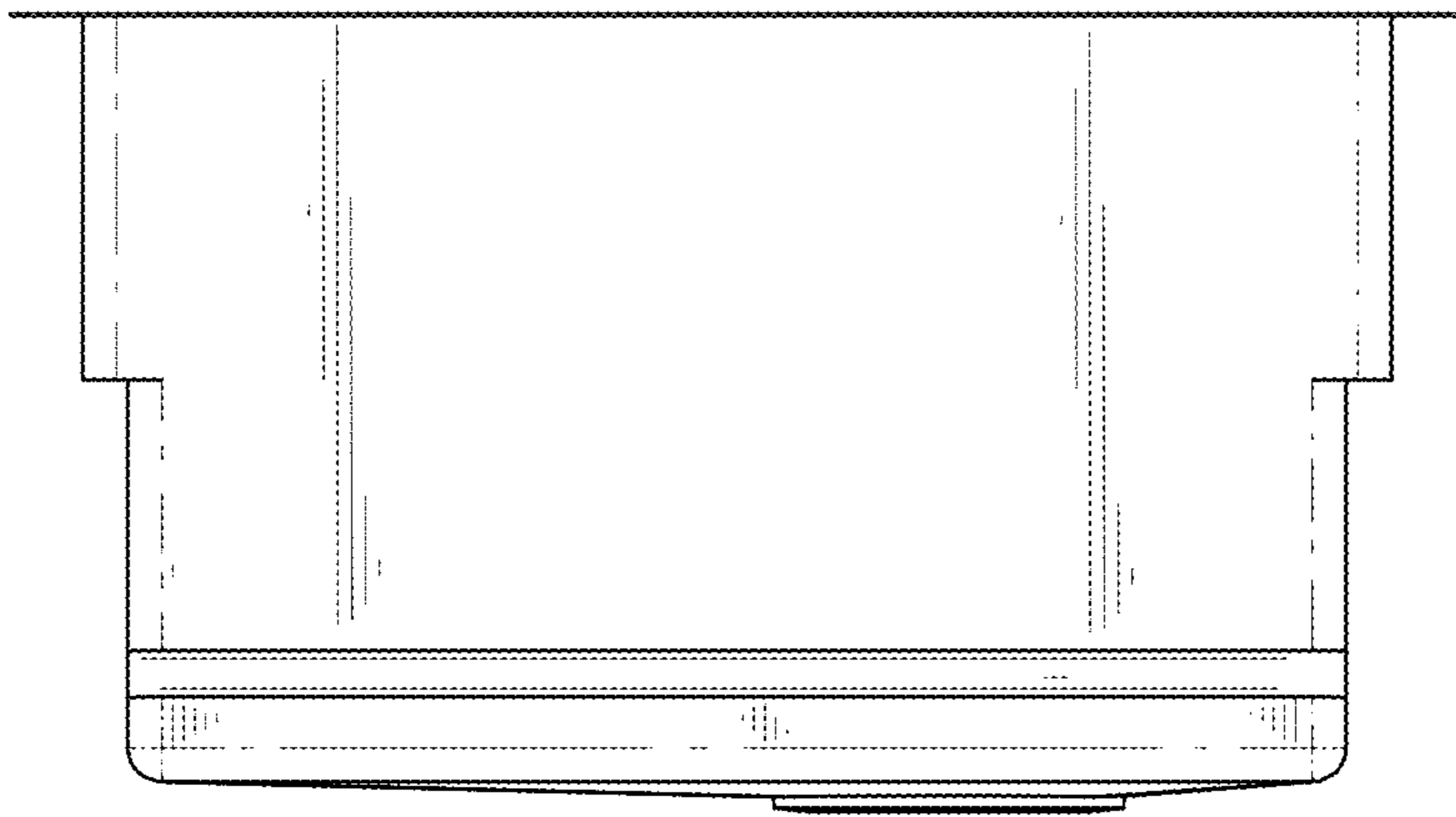


FIG. 15



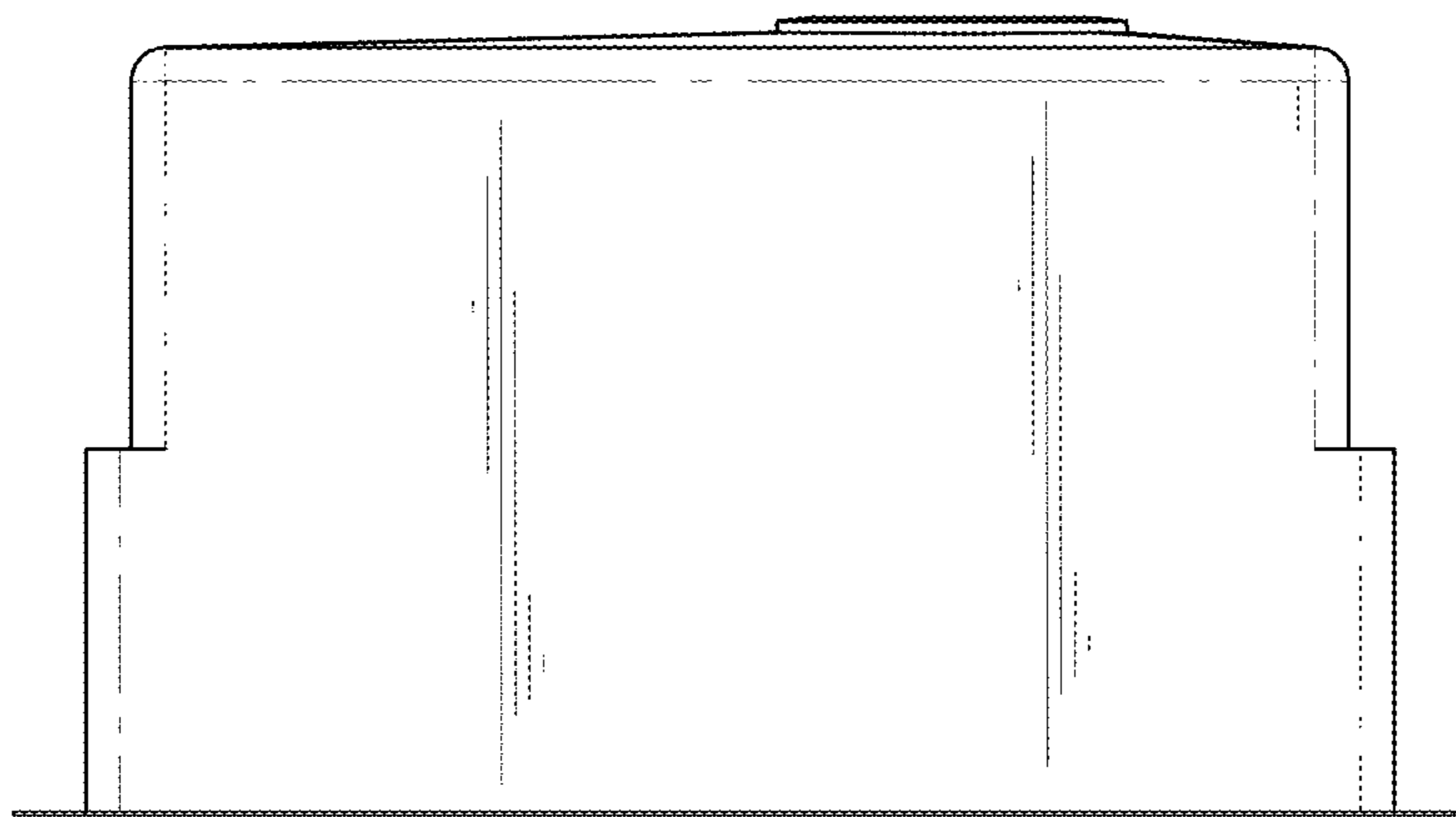


FIG. 16

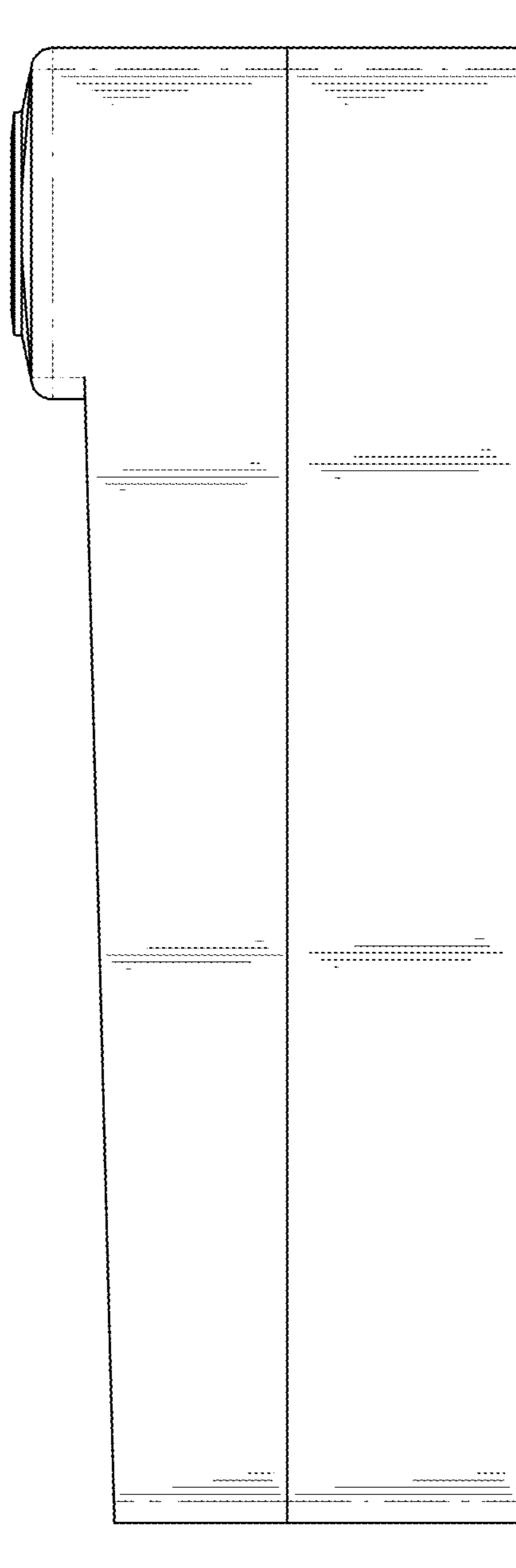


FIG. 17

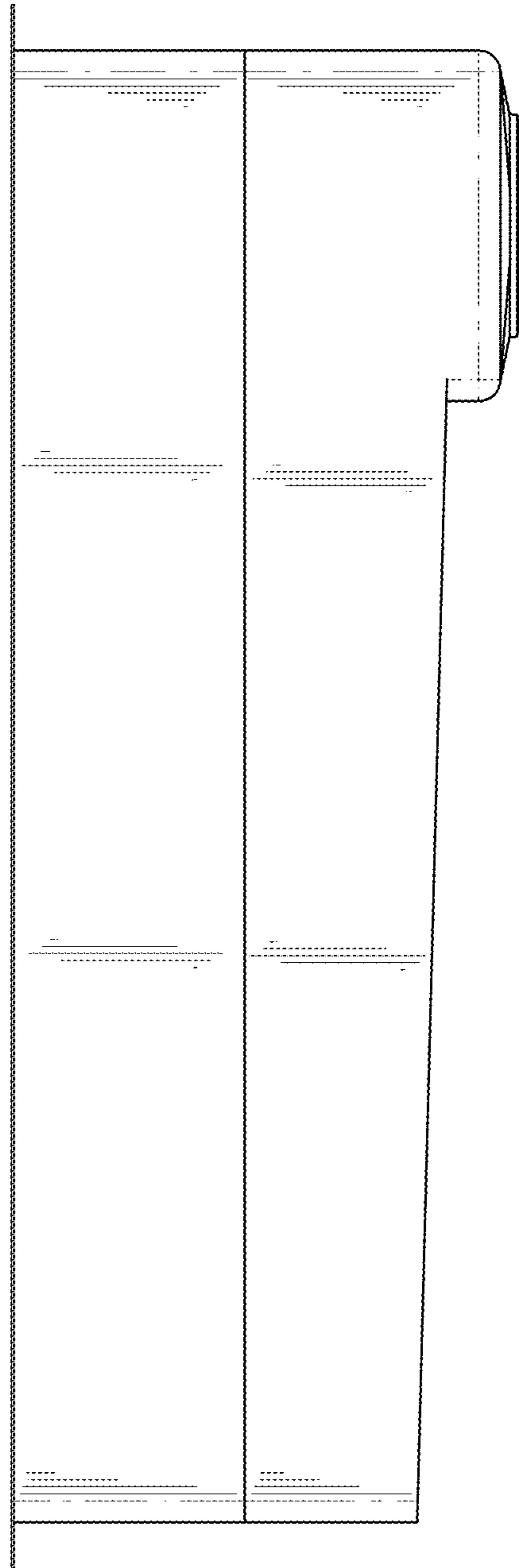


FIG. 18