

US00D849892S

(12) **United States Design Patent**
Lee et al.

(10) **Patent No.:** **US D849,892 S**
(45) **Date of Patent:** **** May 28, 2019**

(54) **PIPE CONNECTING TUBE**

(71) Applicants: **PPI PYUNGWHA CO., LTD.**,
Hwaseong-si, Gyeonggi-do (KR); **PPI AMERICA INC.**, Chicago, IL (US)

(72) Inventors: **Jong-Tae Lee**, Seoul (KR); **Kiwoong Hwang**, Yangju-si (KR)

(73) Assignees: **PPI PYUNGWHA CO., LTD.**,
Hwaseong-si (KR); **PPI AMERICA INC.**, Chicago, IL (US)

(**) Term: **15 Years**

(21) Appl. No.: **29/640,223**

(22) Filed: **Mar. 13, 2018**

(30) **Foreign Application Priority Data**

Oct. 17, 2017 (KR) 30-2017-0048138

(51) **LOC (11) Cl.** **23-01**

(52) **U.S. Cl.**
USPC **D23/263**

(58) **Field of Classification Search**
USPC D23/259, 262–263, 265–266; D24/110.1,
D24/110.4–110.6, 129; 285/132.1,
285/133.11, 179, 179.1, 179.2, 125.1
CPC F16L 43/001; F16L 43/002; F16L 43/008;
F16L 21/005; F16L 21/002; F16L 21/08;
F16L 21/06; F16L 21/04; F16L 9/22
See application file for complete search history.

(56) **References Cited**

U.S. PATENT DOCUMENTS

D291,481 S * 8/1987 Vassallo D23/263
D482,103 S * 11/2003 Snyder, Sr. D23/263

D615,630 S * 5/2010 Price D23/263
D615,631 S * 5/2010 Price D23/263
7,963,568 B2 * 6/2011 Jensen F16L 3/1226
269/45
D681,191 S * 4/2013 Shick D24/110.1
D692,999 S * 11/2013 Huth D24/110
D733,266 S * 6/2015 Bednarz D23/263
D738,472 S * 9/2015 Bednarz D23/263
D739,508 S * 9/2015 Menno D23/263
D739,509 S * 9/2015 Bazemore D23/263
D831,173 S * 10/2018 Lee D23/262
D832,985 S * 11/2018 Lee D23/263

* cited by examiner

Primary Examiner — Karen E Kearney

Assistant Examiner — Amy C Wierenga

(74) *Attorney, Agent, or Firm* — Sughrue Mion, PLLC

(57) **CLAIM**

The ornamental design for a pipe connecting tube, as shown and described.

DESCRIPTION

FIG. 1 is a perspective view of a pipe connecting tube showing our new design;
FIG. 2 is a front view of the pipe connecting tube;
FIG. 3 is a rear view of the pipe connecting tube;
FIG. 4 is a left-side view of the pipe connecting tube;
FIG. 5 is a right-side view of the pipe connecting tube;
FIG. 6 is a top plan view of the pipe connecting tube;
FIG. 7 is a bottom view of the pipe connecting tube; and,
FIG. 8 is an exploded perspective view of the pipe connecting tube which includes a cap, a sealing, and a main body.

1 Claim, 8 Drawing Sheets

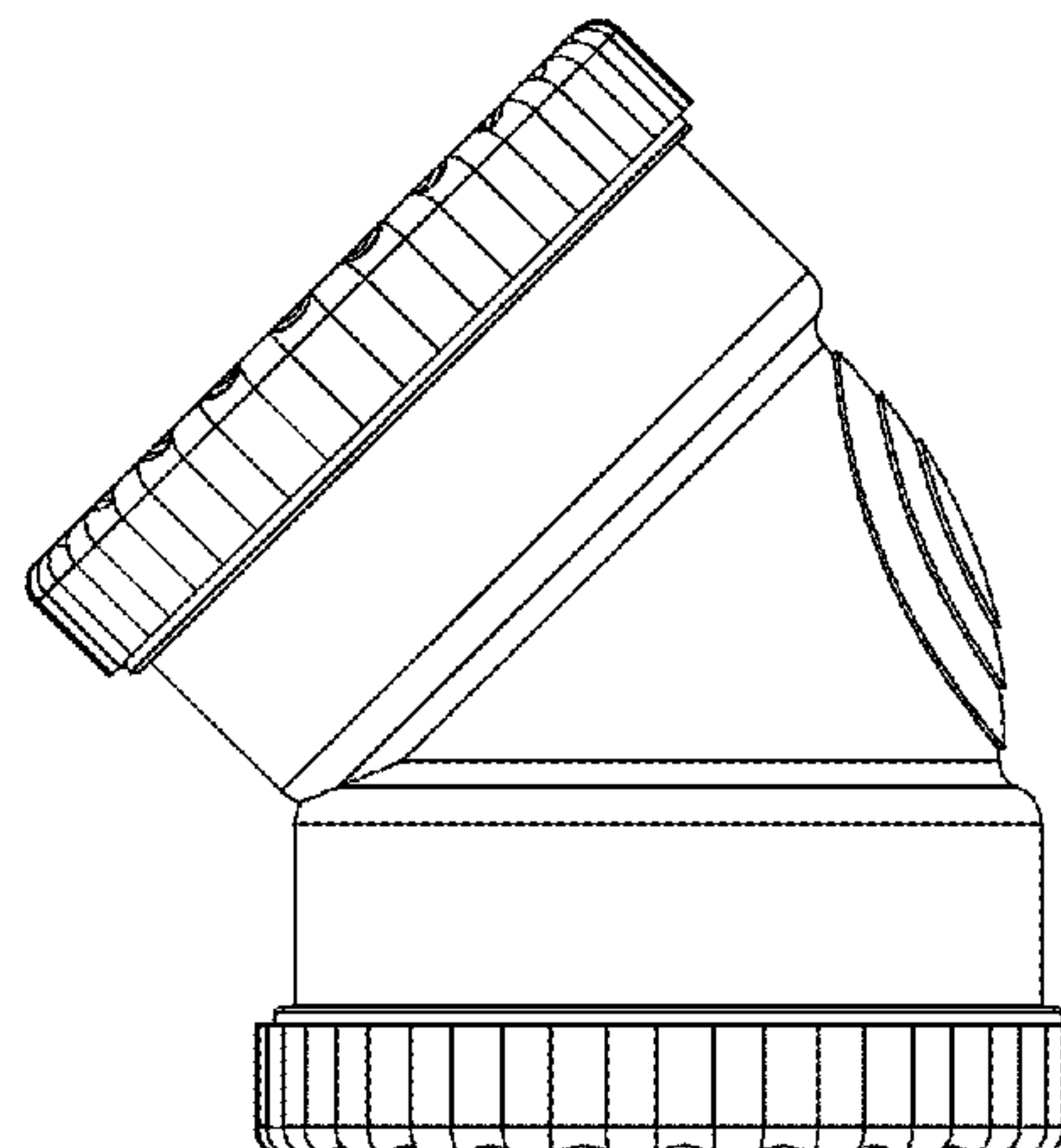
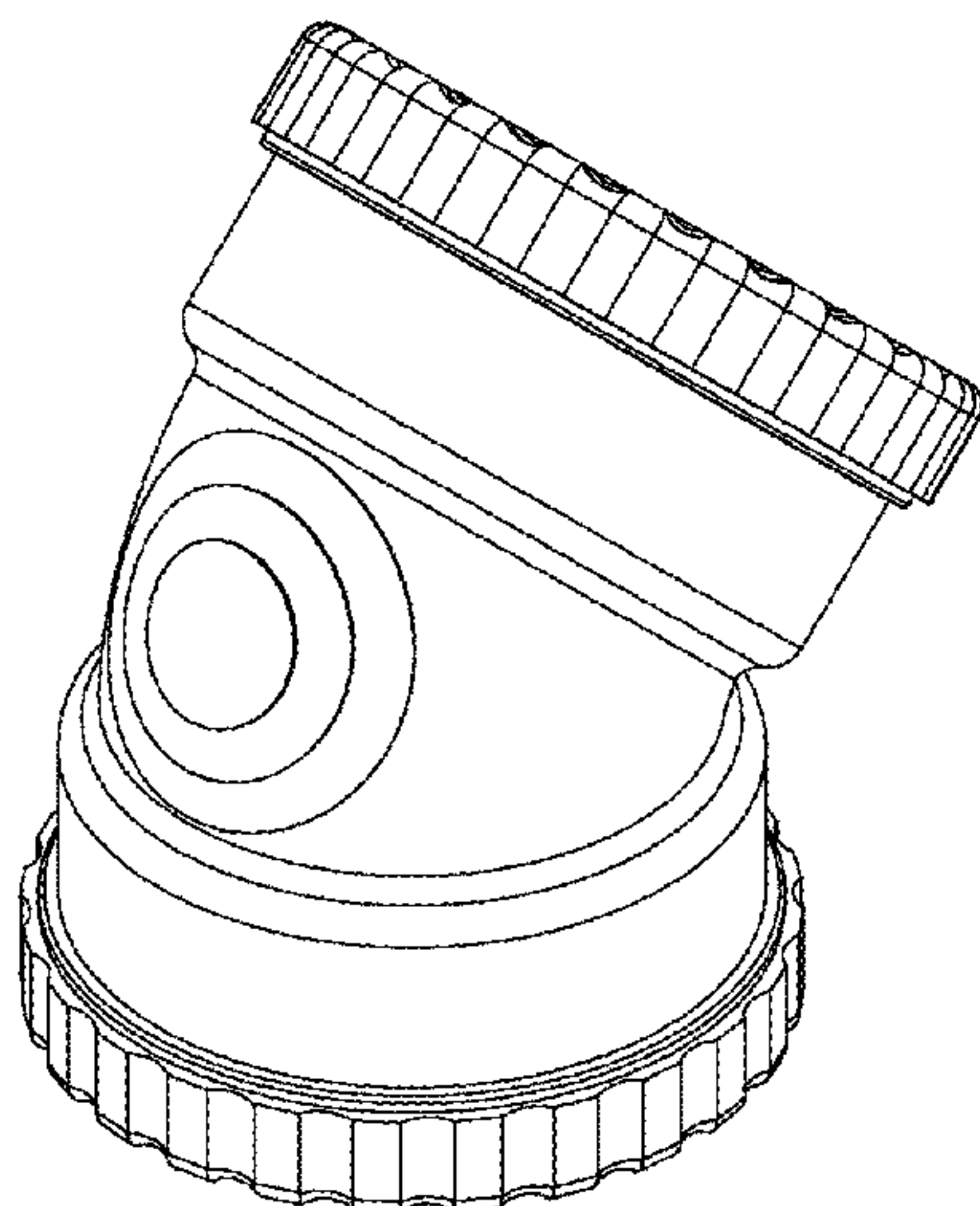


FIG. 1

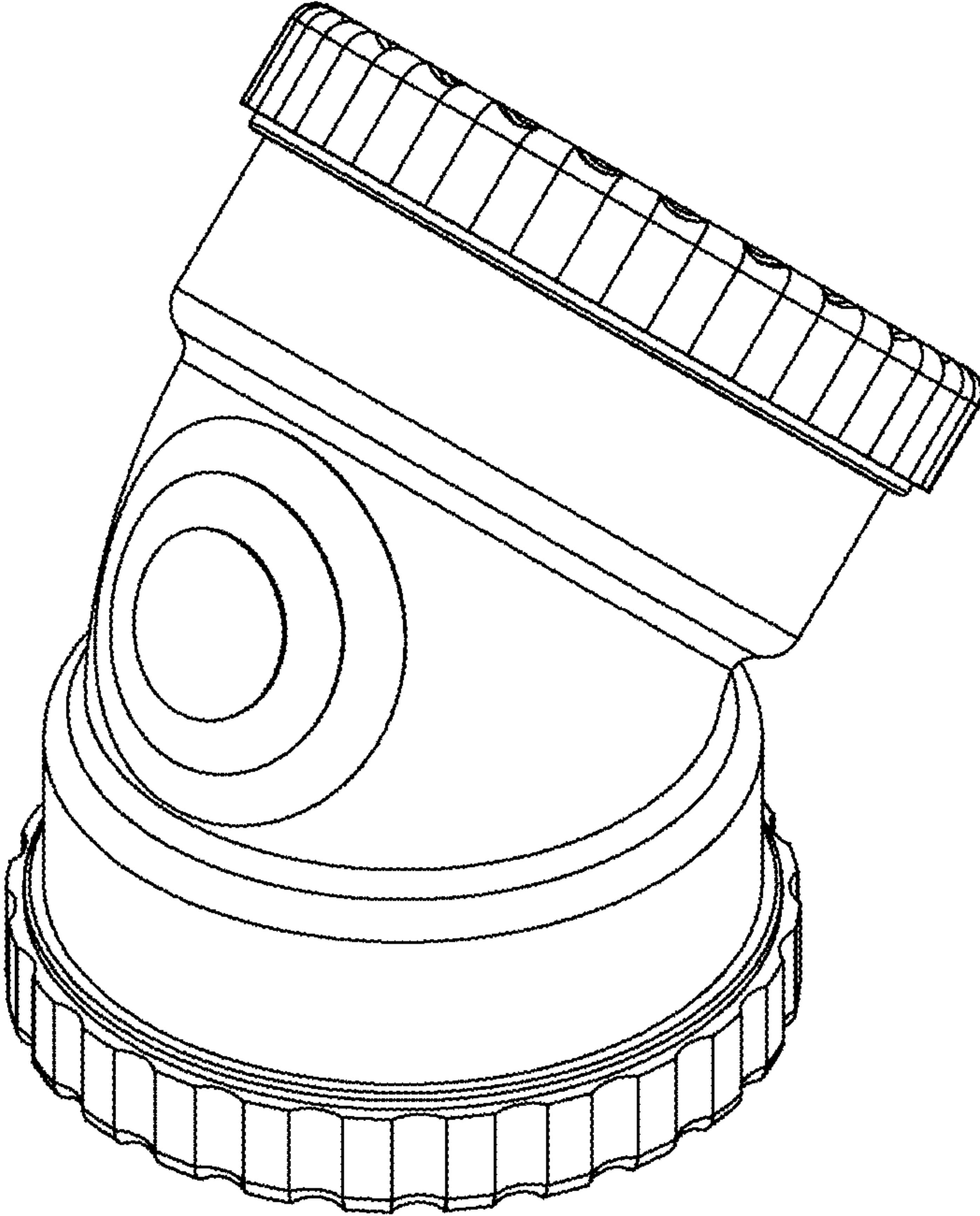


FIG. 2

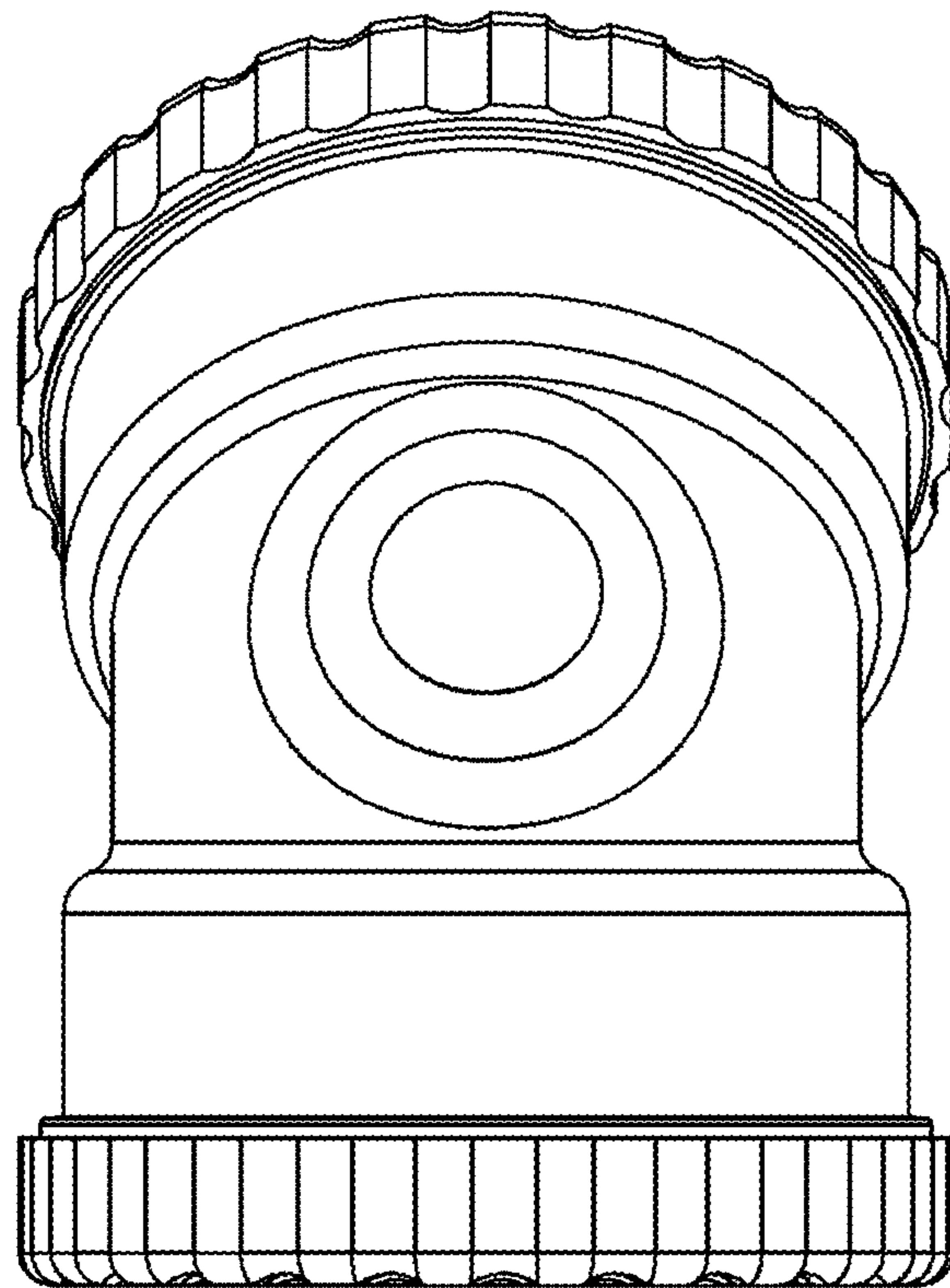


FIG. 3

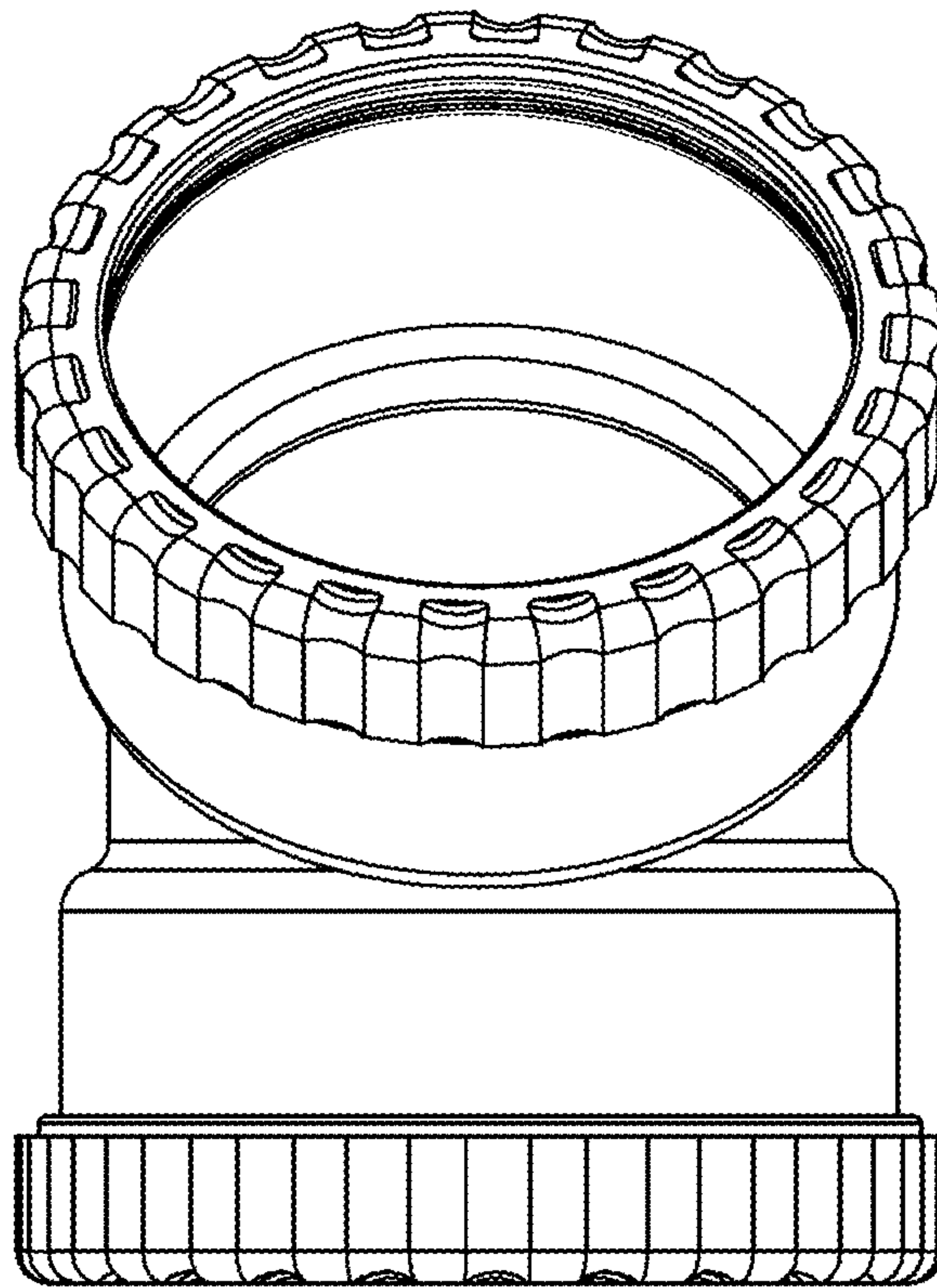


FIG. 4

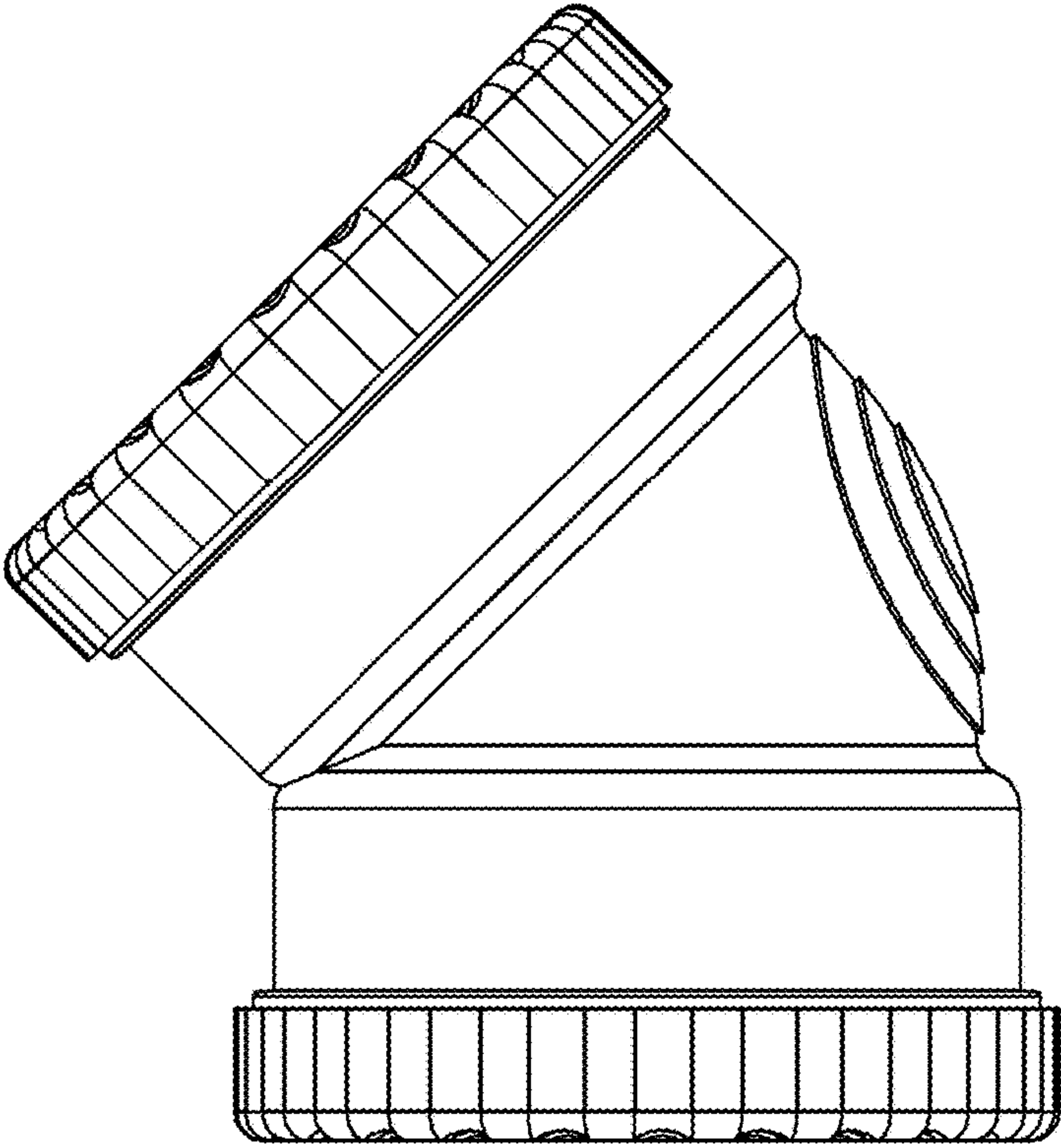


FIG. 5

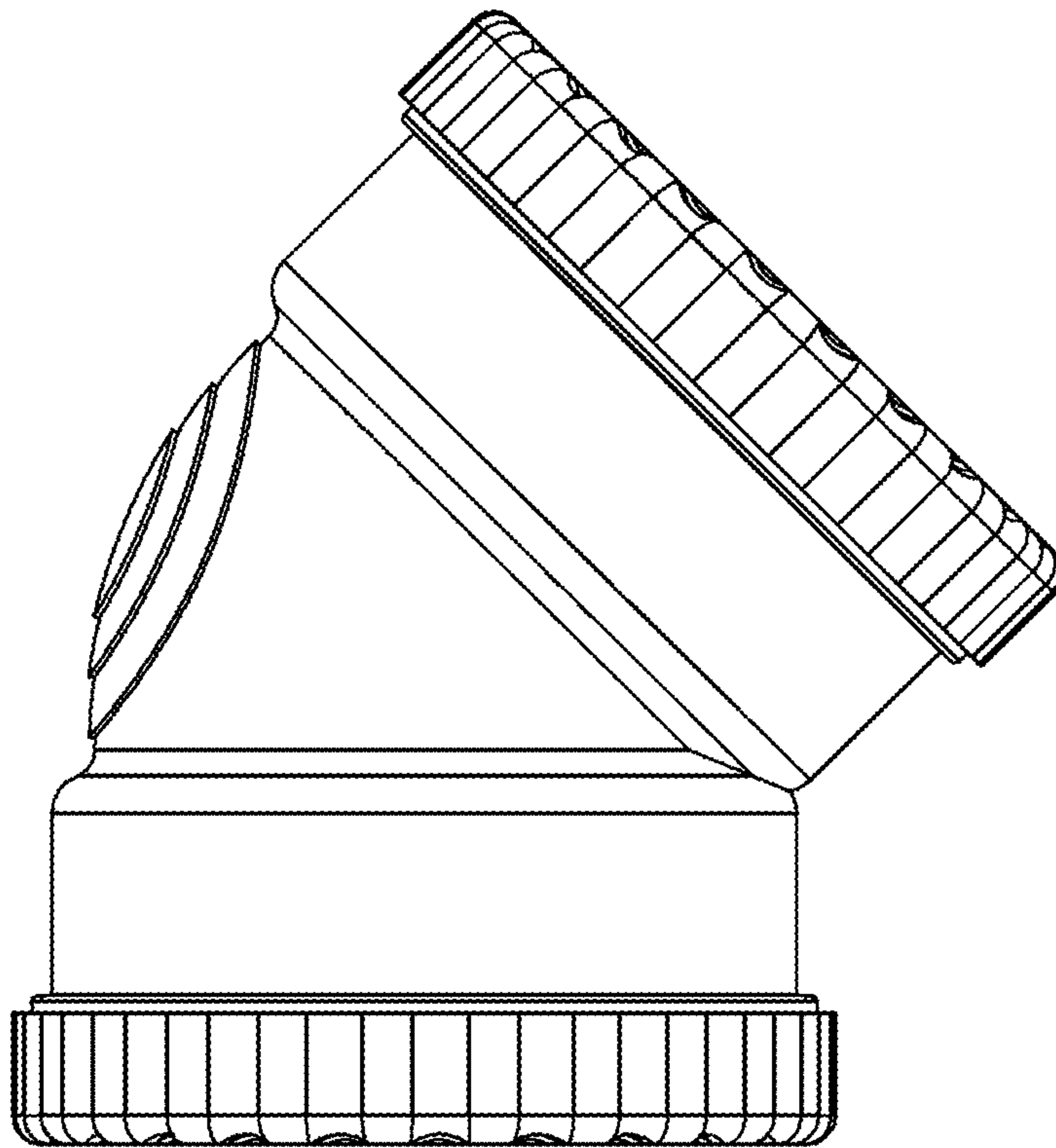


FIG. 6

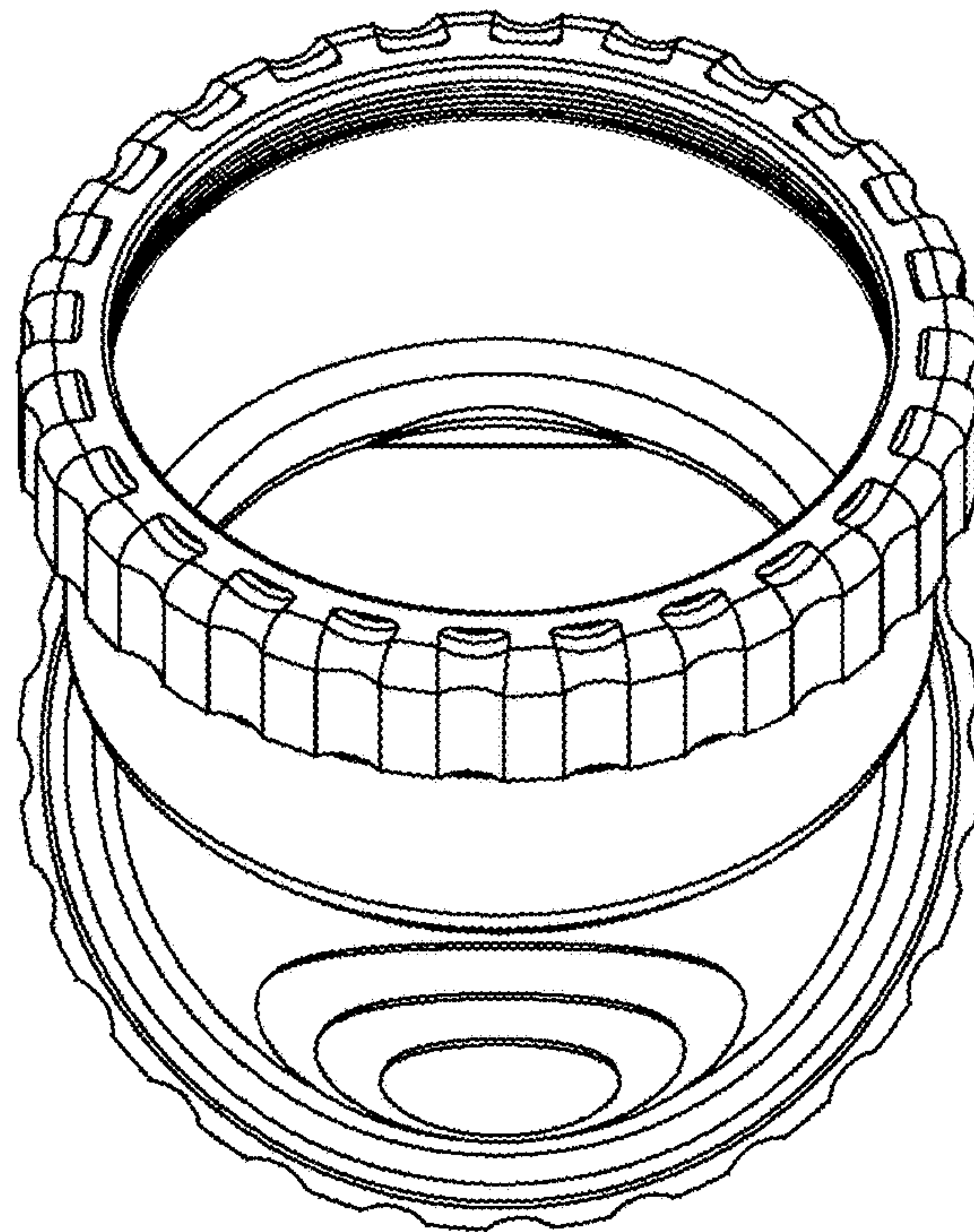


FIG. 7

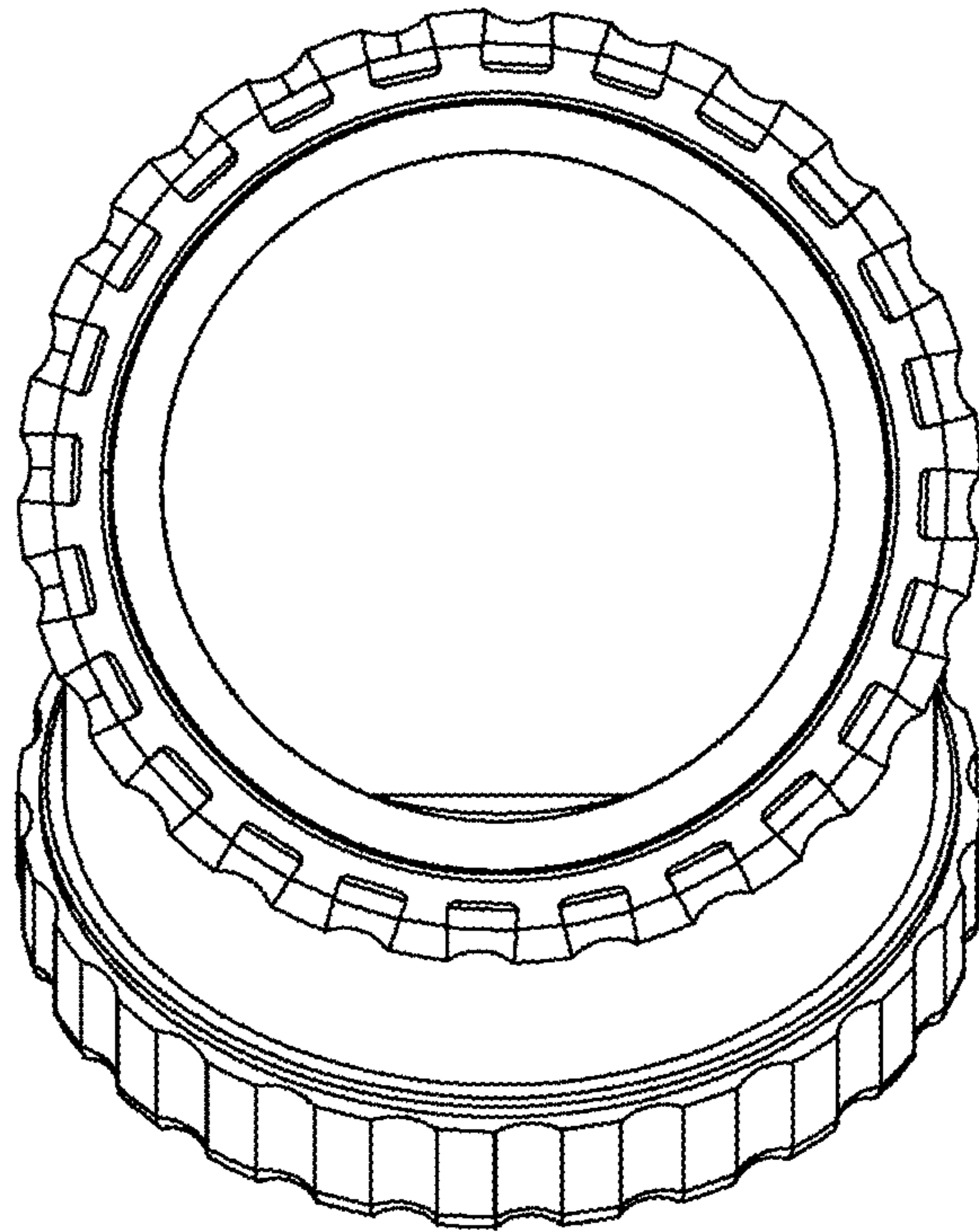


FIG. 8

