



US00D849890S

(12) **United States Design Patent**
Tempel et al.

(10) **Patent No.:** **US D849,890 S**

(45) **Date of Patent:** **** May 28, 2019**

(54) **CONVERTER FOR SANITARY OUTLET VALVES**

(71) Applicant: **NEOPERL GMBH**, Müllheim (DE)

(72) Inventors: **Marc Tempel**, Freiburg i. Br. (DE);
Yichao Bian, Müllheim (DE)

(73) Assignee: **Neoperl GmbH**, Müllheim (DE)

(**) Term: **15 Years**

(21) Appl. No.: **35/502,811**

(22) Filed: **Mar. 22, 2017**

(80) **Hague Agreement Data**

Int. Filing Date: **Mar. 22, 2017**

Int. Reg. No.: **DM/095526**

Int. Reg. Date: **Mar. 22, 2017**

Int. Reg. Pub. Date: **Apr. 14, 2017**

(51) **LOC (11) Cl.** **23-01**

(52) **U.S. Cl.**

USPC **D23/233; D23/235; D23/249**

(58) **Field of Classification Search**

USPC **D23/233, 235, 237, 247-249, 258-260,**
D23/262, 265, 266; D15/5, 7

CPC . **F16K 1/00; F16K 15/00; F16K 15/18; F16K**
15/26; F16K 15/044

See application file for complete search history.

(56) **References Cited**

U.S. PATENT DOCUMENTS

D234,359 S * 2/1975 Holben et al. D23/235

D262,969 S * 2/1982 Howes 239/533.12

D295,674 S *	5/1988	Ogasawara	D23/365
D309,653 S *	7/1990	Kendrick	D23/213
D442,267 S *	5/2001	Kouda	D23/233
D576,704 S *	9/2008	Gilcher	D23/233
D694,370 S *	11/2013	Wilcox	D23/245
D758,544 S *	6/2016	Greenwood	D23/235
D762,819 S *	8/2016	Shishido	D23/235
D779,046 S *	2/2017	Tansey, Jr.	D23/262
D820,956 S *	6/2018	Ito	D23/235
D826,381 S *	8/2018	Bian	D23/233

* cited by examiner

Primary Examiner — Keli L Hill

(74) *Attorney, Agent, or Firm* — Volpe and Koenig, P.C.

(57) **CLAIM**

The ornamental design for converter for sanitary outlet valves, as shown and described.

DESCRIPTION

1. Converter for sanitary outlet valves

1.1 : Top

1.2 : Perspective

1.3 : Bottom

1.4 : Perspective

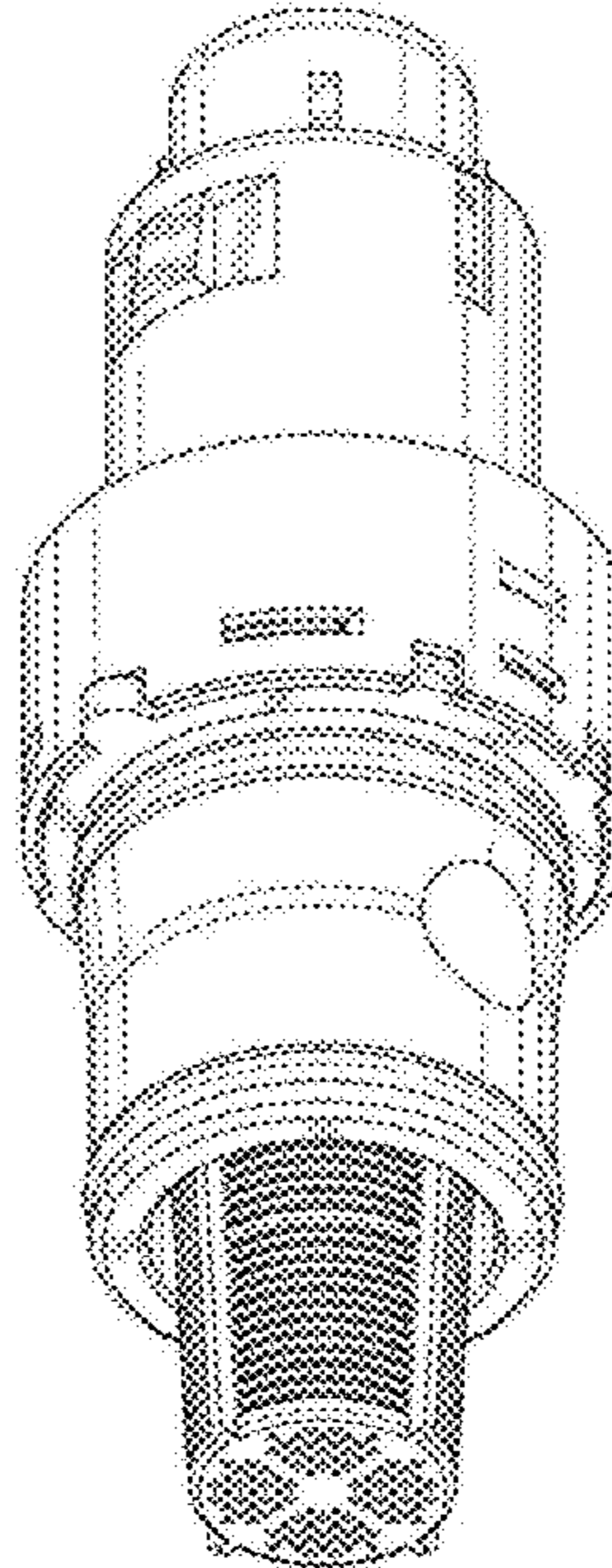
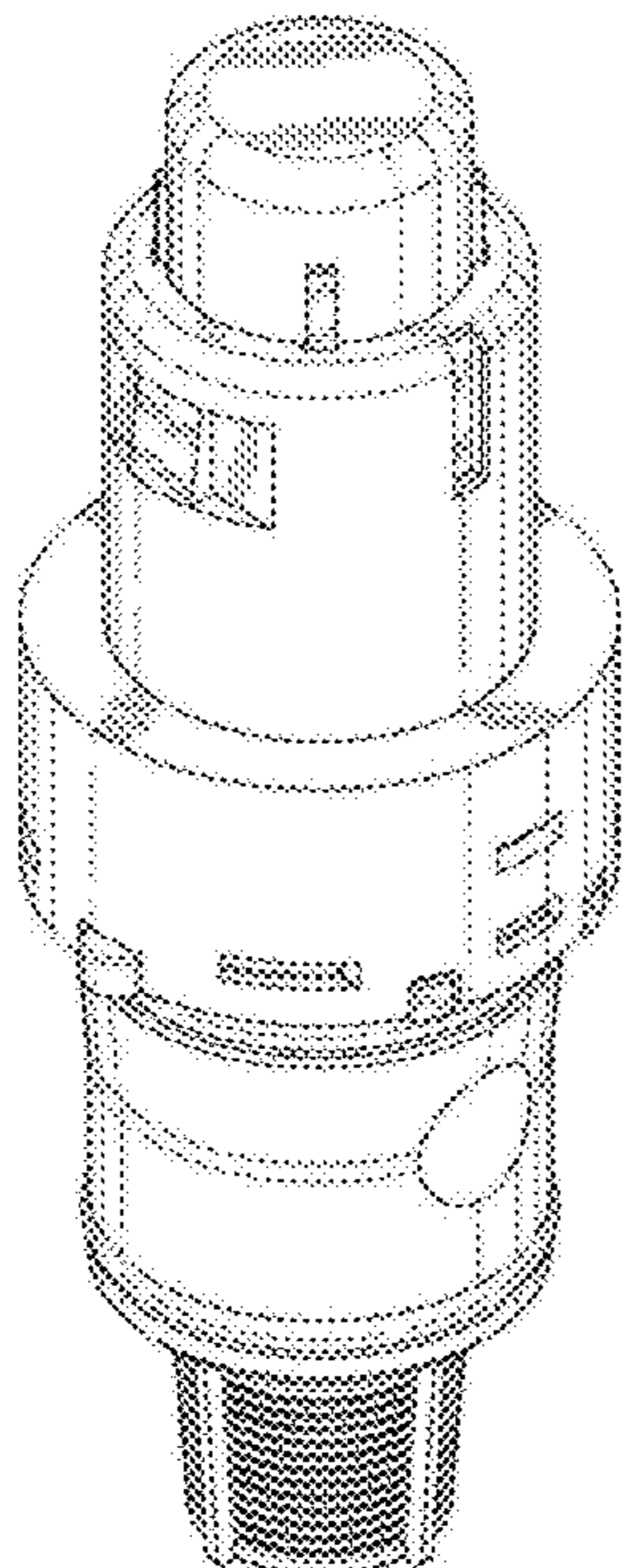
1.5 : Front

1.6 : Right

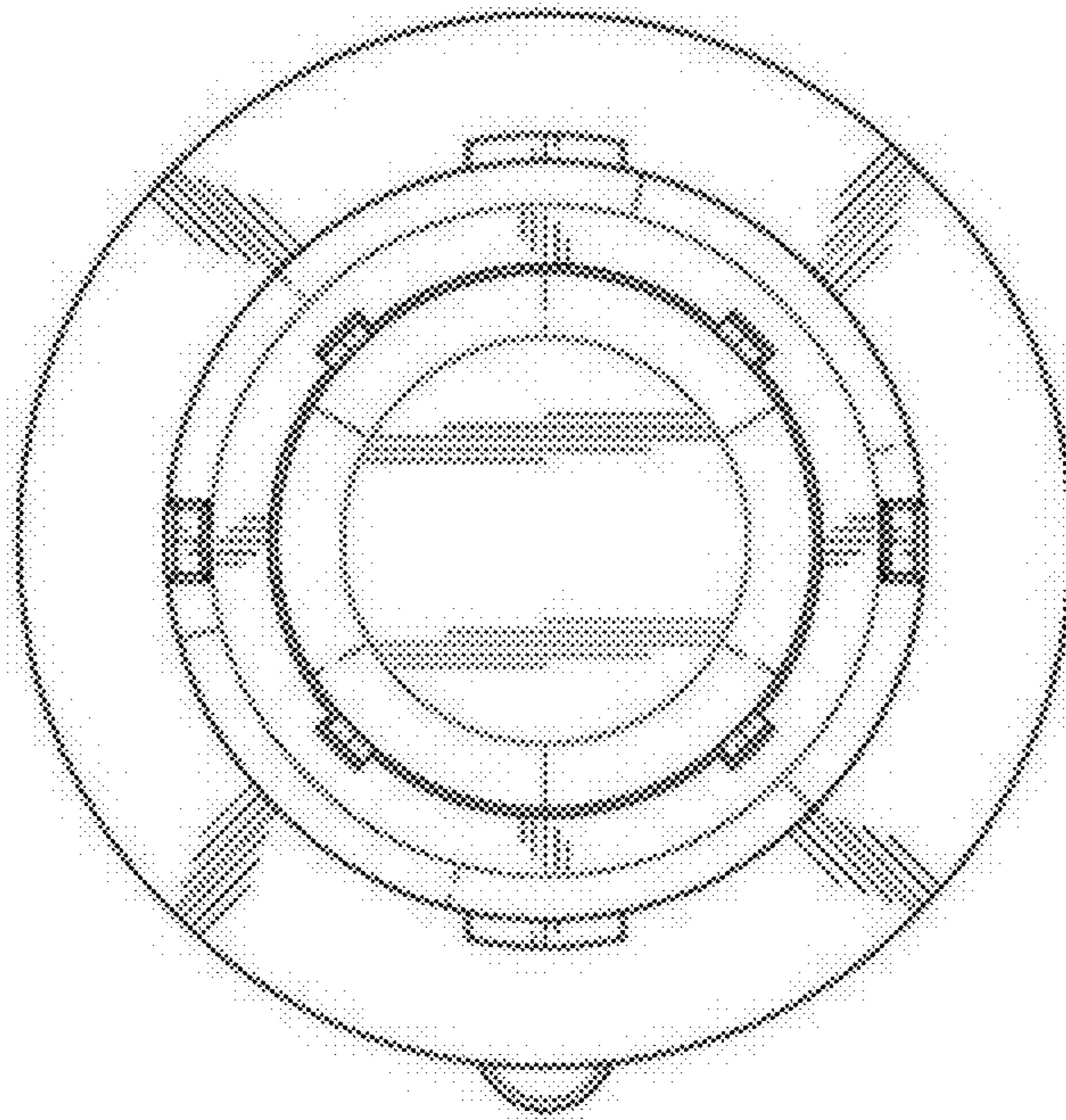
1.7 : Back

1.8 : Left

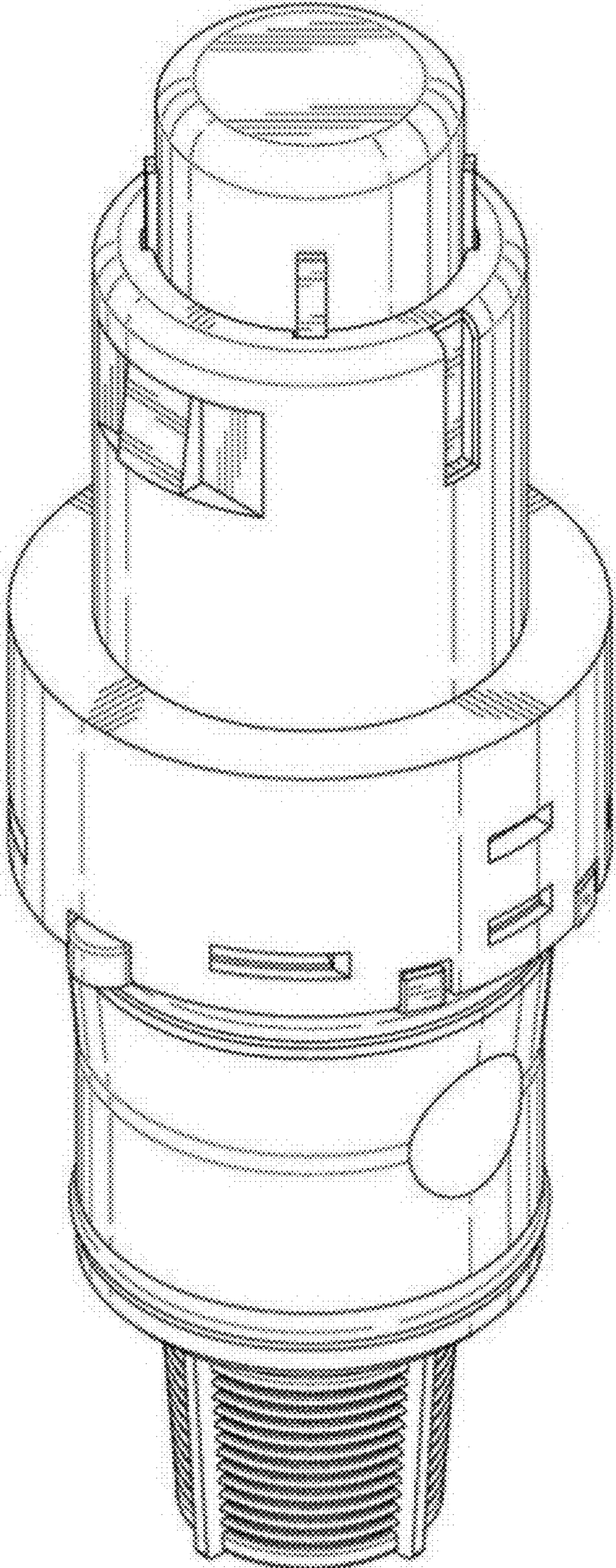
1 Claim, 8 Drawing Sheets



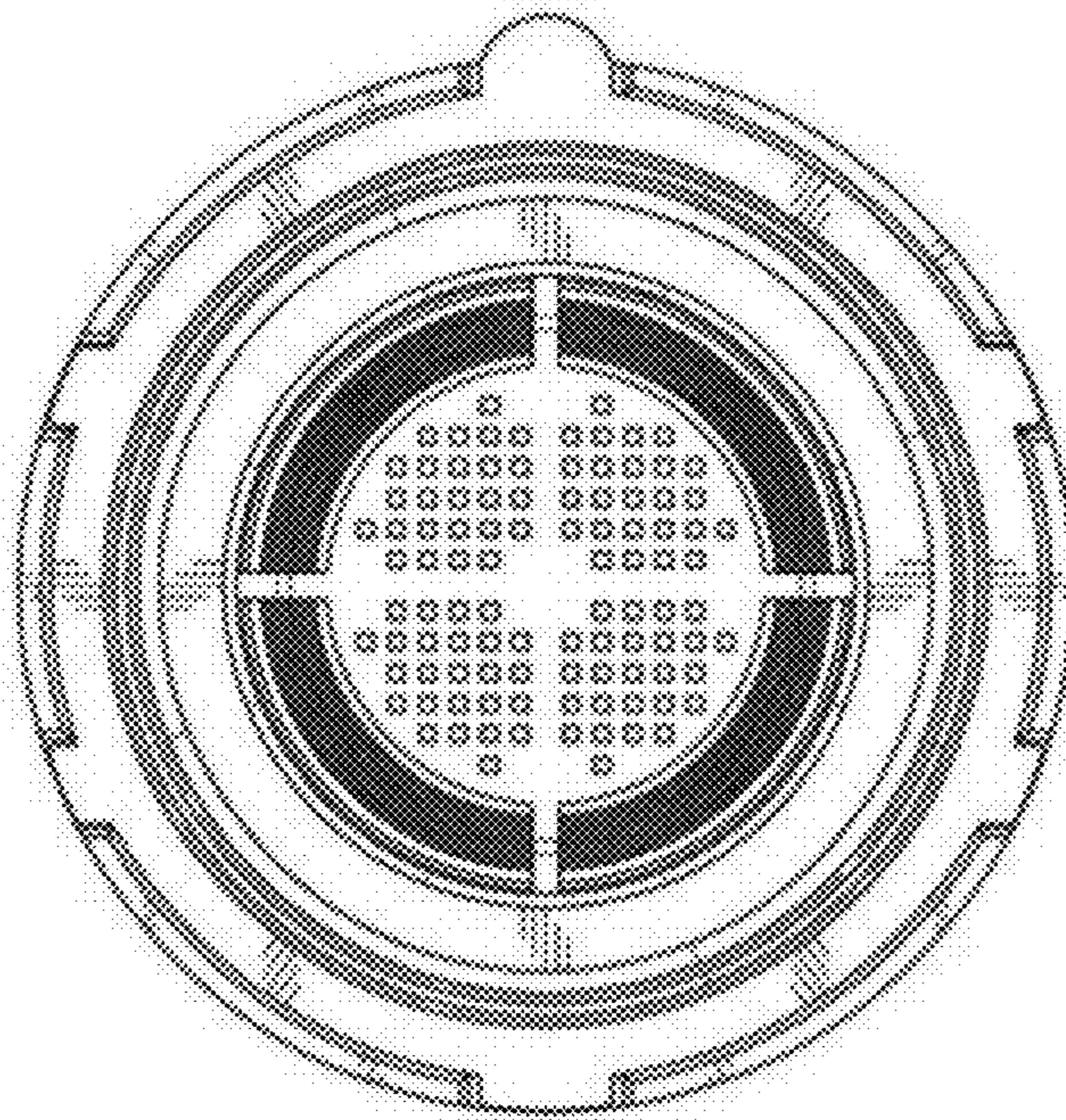
1.1



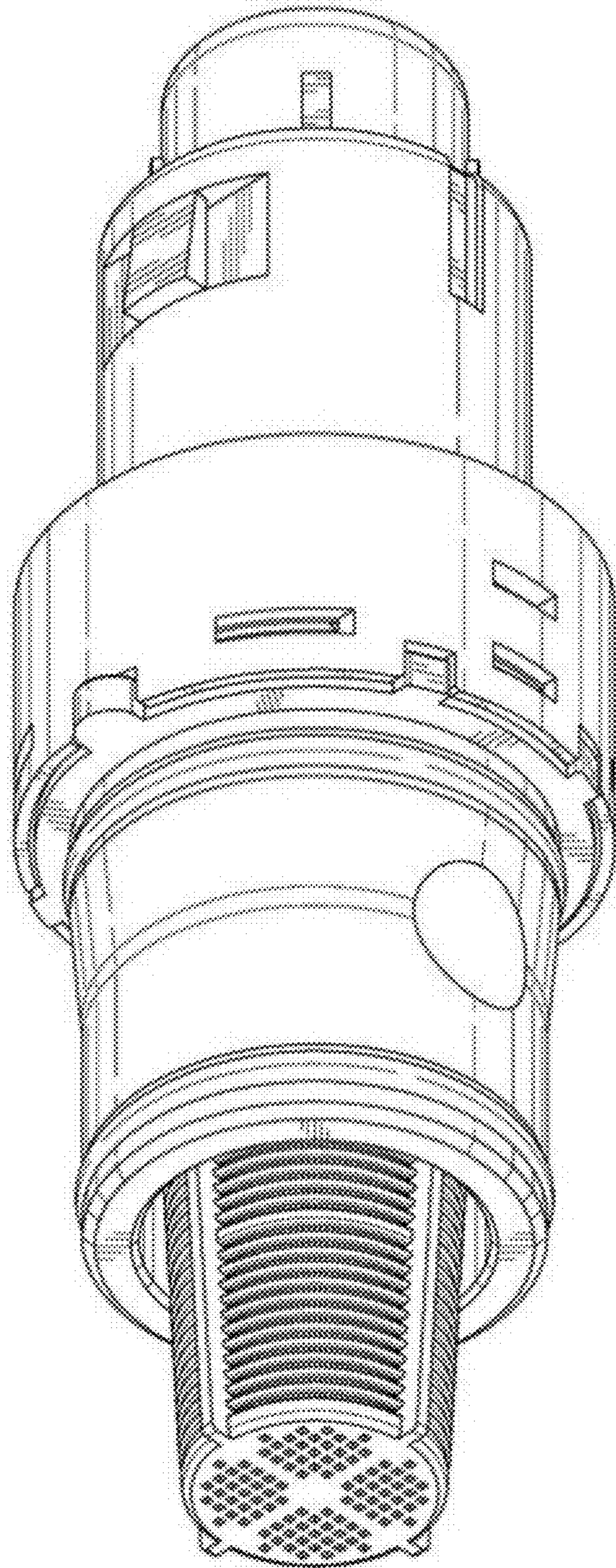
1.2



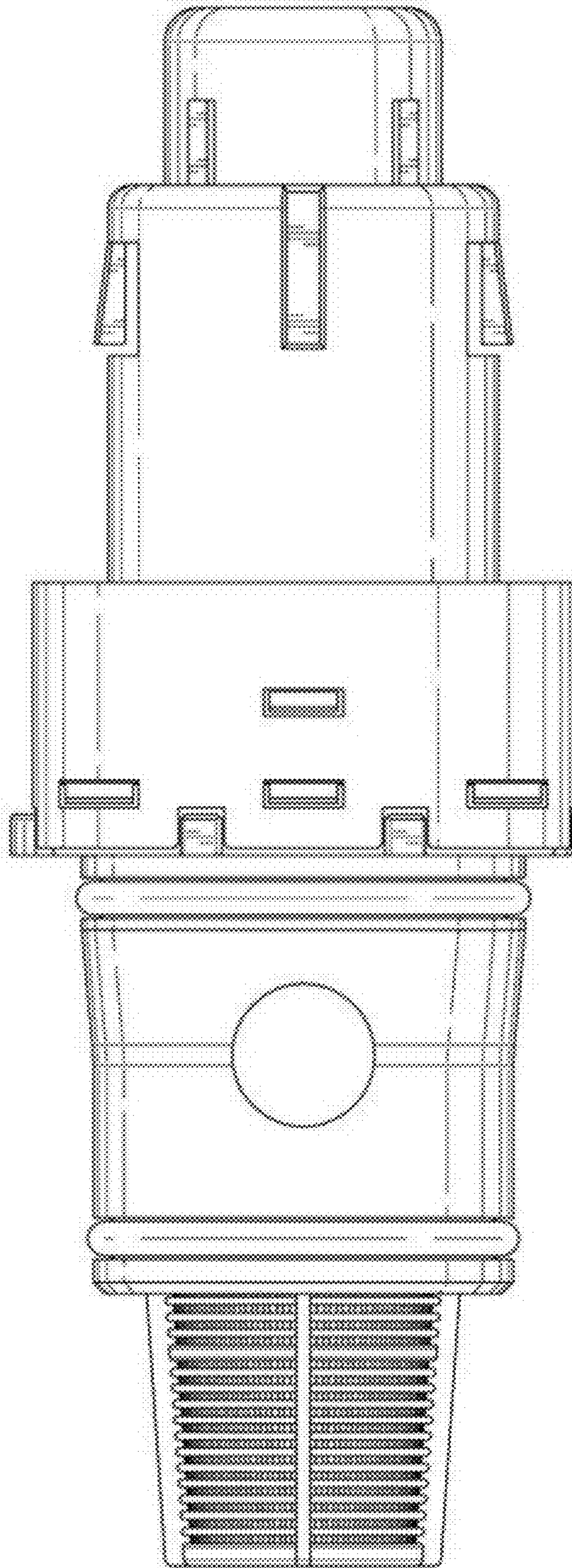
1.3



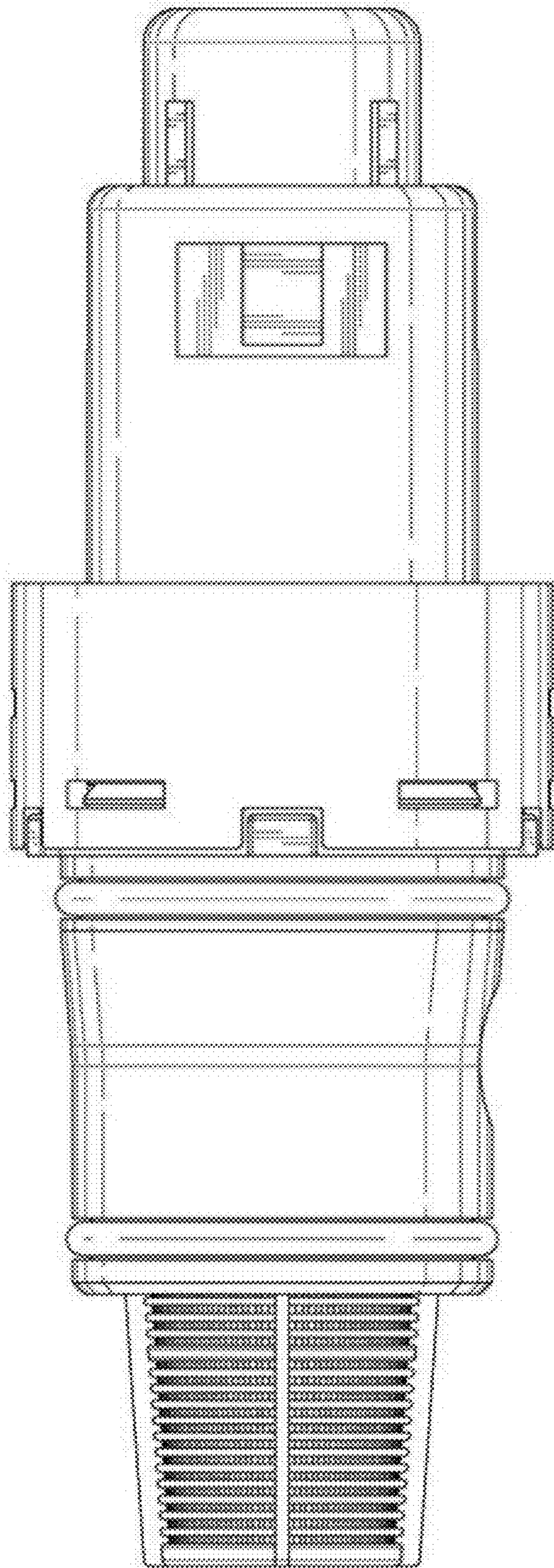
1.4



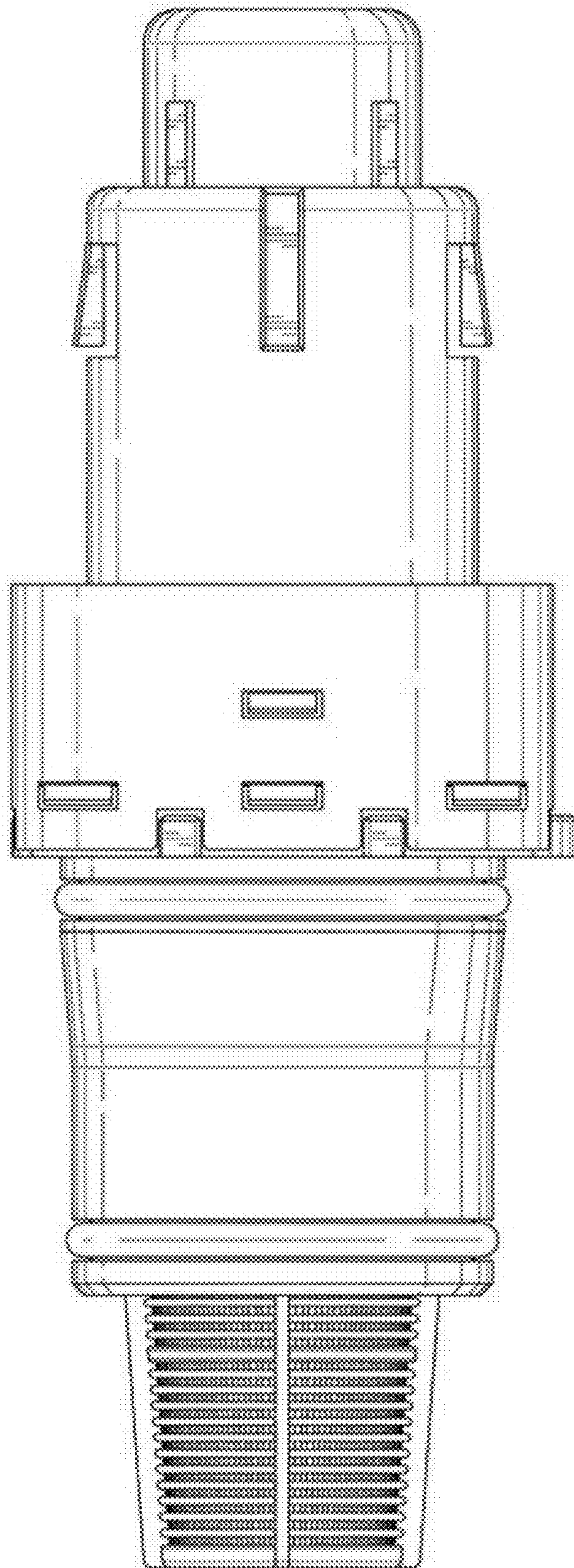
1.5



1.6



1.7



1.8

