



US00D849889S

(12) **United States Design Patent** (10) **Patent No.:** **US D849,889 S**
Pease et al. (45) **Date of Patent:** **** May 28, 2019**

(54) **NOZZLE**
(71) Applicant: **Fiskars Oyj Abp**, Helsinki (FI)
(72) Inventors: **Daniel Michael Pease**, Middleton, WI (US); **Jean Mauricio Uruena Montoya**, Madison, WI (US); **Nicholas Joseph Vallo**, Madison, WI (US)
(73) Assignee: **Fiskars Oyj Abp**, Helsinki (FI)
(**) Term: **15 Years**

D472,959 S 4/2003 Alkalay et al.
6,602,085 B2 8/2003 Young et al.
7,124,965 B1 10/2006 Chen
7,258,285 B1 8/2007 Combs et al.
D603,940 S 11/2009 Jerabek et al.
D604,389 S 11/2009 Cheng
D604,390 S 11/2009 Cheng
D615,615 S 5/2010 Cheng
D619,208 S 7/2010 Jian et al.
D650,042 S 12/2011 Nies et al.
D650,044 S 12/2011 Nies et al.
D650,045 S 12/2011 Nies
D678,980 S 3/2013 Nies et al.

(Continued)

(21) Appl. No.: **29/639,180**
(22) Filed: **Mar. 5, 2018**
(51) **LOC (11) Cl.** **23-01**
(52) **U.S. Cl.**
USPC **D23/226**
(58) **Field of Classification Search**
USPC D23/213, 223, 226
CPC A01M 7/0046; B05B 9/01; B05B 1/30;
B05B 7/08; B05B 5/1691; B05B 5/043;
B05B 5/025; B05B 1/005; B05B 7/083
See application file for complete search history.

OTHER PUBLICATIONS

U.S. Appl. No. 29/600,627, filed Apr. 13, 2017, Fiskars Oyj Abp.
(Continued)

Primary Examiner — Robin V Webster
(74) *Attorney, Agent, or Firm* — Leason Ellis LLP

(57) **CLAIM**

We claim the ornamental design for a nozzle, as shown and described.

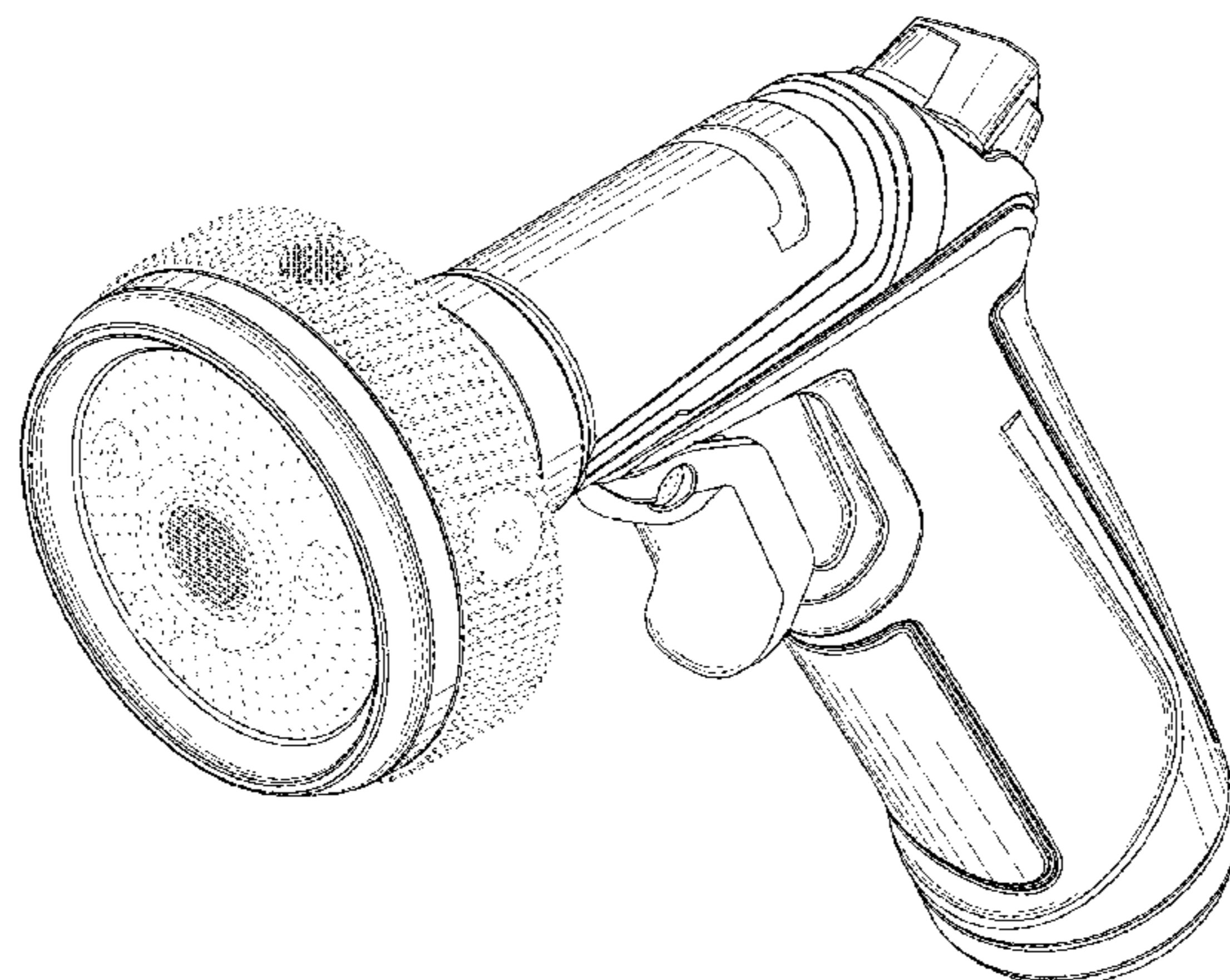
DESCRIPTION

FIG. 1 is a top perspective view of an embodiment of the claimed design;
FIG. 2 is front view thereof;
FIG. 3 is a rear view thereof;
FIG. 4 is a left side view thereof;
FIG. 5 is a right side view thereof;
FIG. 6 is a top view thereof;
FIG. 7 is a bottom view thereof; and,
FIG. 8 is a bottom perspective view thereof.
The broken line showing of portions of the nozzle is included for the purpose of illustrating and forms no part of the claimed design.

1 Claim, 6 Drawing Sheets

(56) **References Cited**
U.S. PATENT DOCUMENTS

646,590 A 4/1900 Williams
1,148,630 A 8/1915 Schmidt
2,364,905 A 12/1944 Lewis
2,376,881 A 5/1945 Nielsen
2,813,730 A 11/1957 Courtot
2,814,862 A 12/1957 Heckethorn
2,985,384 A 5/1961 Martin
3,150,829 A 9/1964 Specht et al.
3,162,470 A 12/1964 Davidson et al.
D296,579 S 7/1988 Hattori
D329,891 S 9/1992 Sievers
5,192,219 A 3/1993 Fowler et al.
5,364,135 A 11/1994 Anderson
5,806,770 A 9/1998 Wang



(56)

References Cited

U.S. PATENT DOCUMENTS

D702,319 S 4/2014 Mammen
D712,512 S 9/2014 Mammen et al.
D713,933 S 9/2014 Mammen
D714,422 S 9/2014 Mammen et al.
D714,423 S 9/2014 Mammen et al.
D714,908 S 10/2014 Mammen et al.
D736,349 S * 8/2015 Wojan D23/223
D736,350 S 8/2015 Cheng
D746,946 S 1/2016 Naslund
D746,947 S 1/2016 Naslund
D748,758 S 2/2016 Duong
9,559,458 B2 1/2017 Zhang et al.
D779,041 S 2/2017 Chen
D782,005 S 3/2017 Naslund et al.
D782,007 S 3/2017 Naslund
D782,008 S 3/2017 Naslund et al.
D783,125 S 4/2017 Chen
D792,947 S 7/2017 Hung
D799,001 S 10/2017 Gooden
D799,002 S 10/2017 Gooden

D802,092 S 11/2017 Naslund et al.
D808,499 S 1/2018 Naslund et al.
D824,485 S * 7/2018 Montoya D23/213
D833,573 S * 11/2018 Blum D23/213

OTHER PUBLICATIONS

U.S. Appl. No. 29/600,628, filed Apr. 13, 2017, Fiskars Oyj Abp.
U.S. Appl. No. 29/600,631, filed Apr. 13, 2017, Fiskars Oyj Abp.
U.S. Appl. No. 29/600,632, filed Apr. 13, 2017, Fiskars Oyj Abp.
U.S. Appl. No. 29/600,633, filed Apr. 13, 2017, Fiskars Oyj Abp.
U.S. Appl. No. 29/600,634, filed Apr. 13, 2017, Fiskars Oyj Abp.
U.S. Appl. No. 29/612,769, filed Aug. 3, 2017, Fiskars Finland OY AB.
U.S. Appl. No. 29/612,771, filed Aug. 3, 2017, Fiskars Finland OY AB.
U.S. Appl. No. 29/612,773, filed Aug. 3, 2017, Fiskars Finland OY AB.
U.S. Appl. No. 29/612,774, filed Aug. 3, 2017, Fiskars Finland OY AB.

* cited by examiner

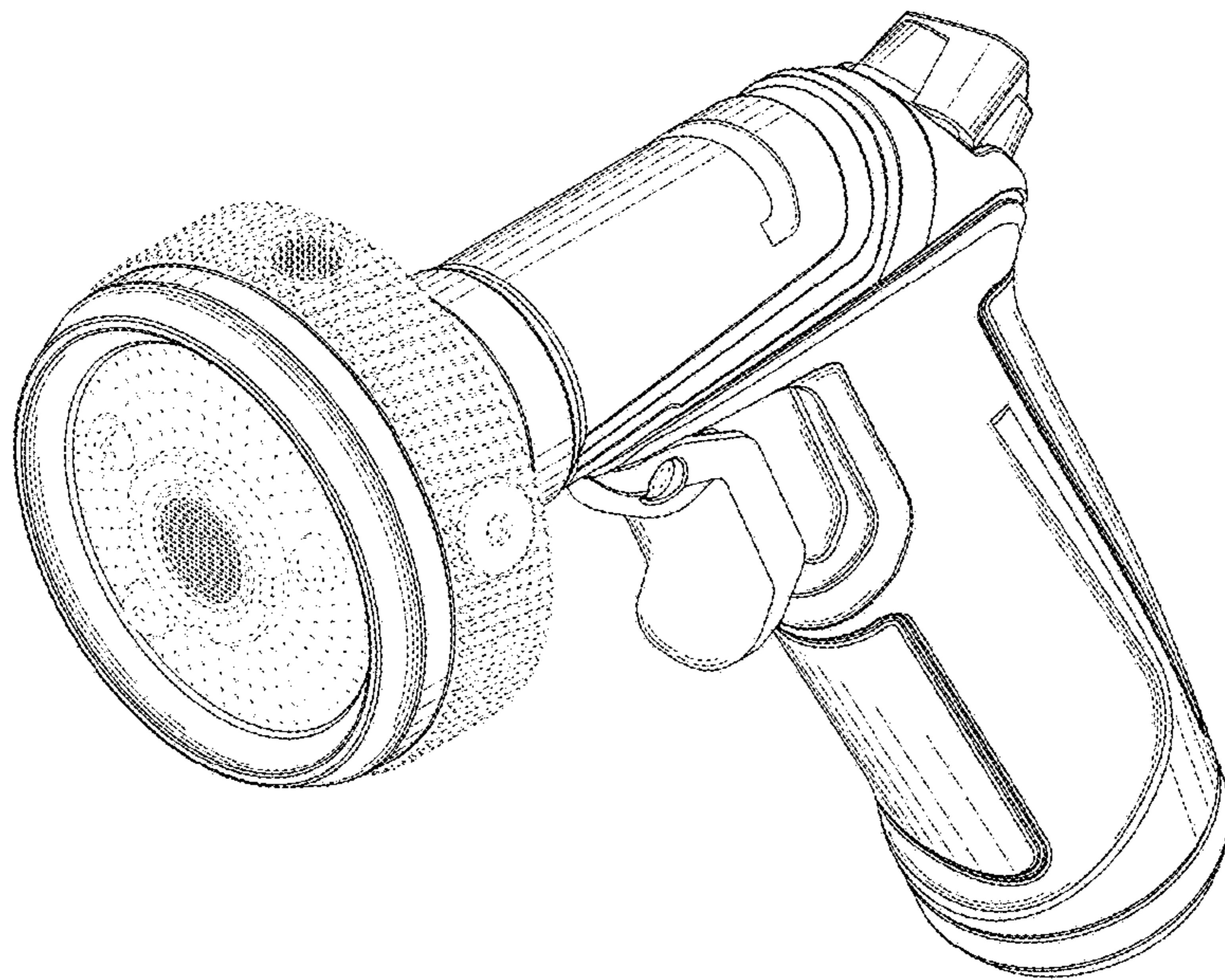


FIG. 1

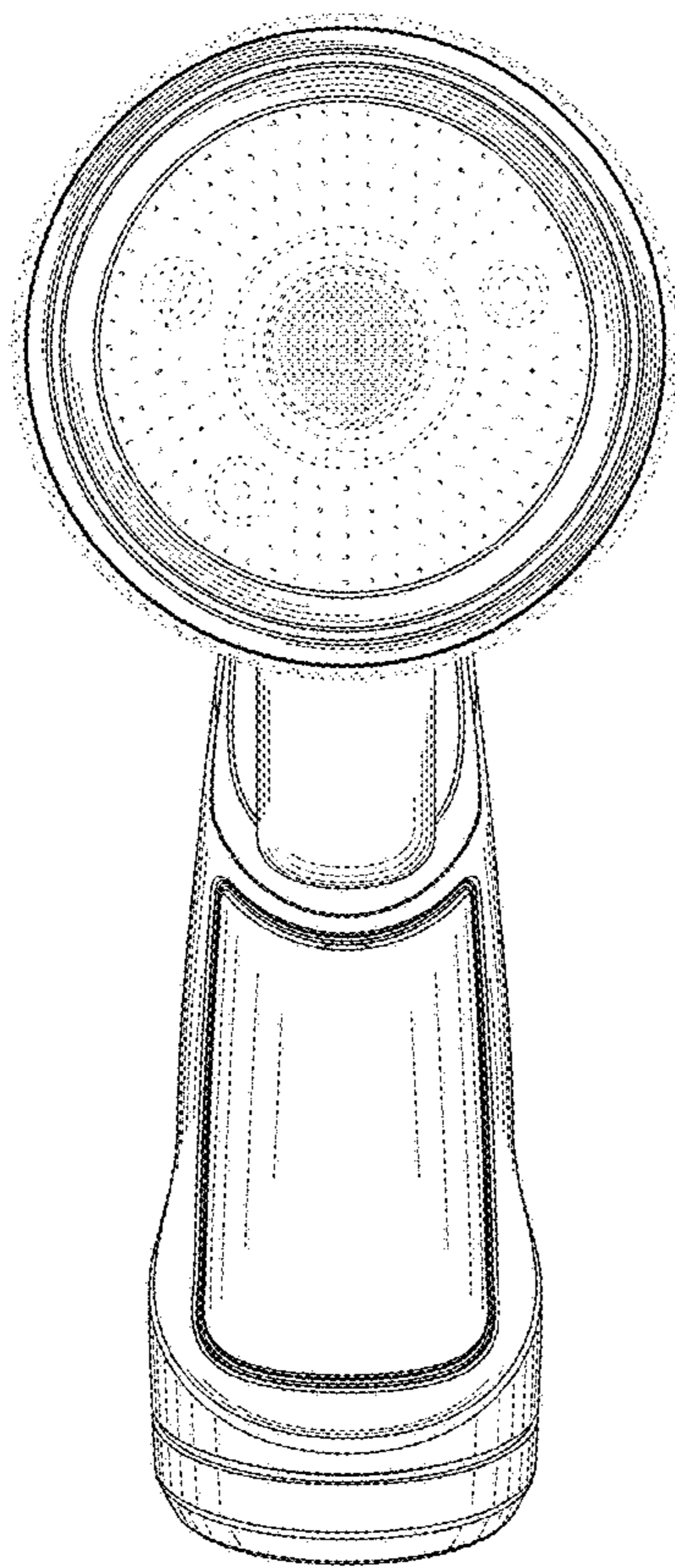


FIG. 2

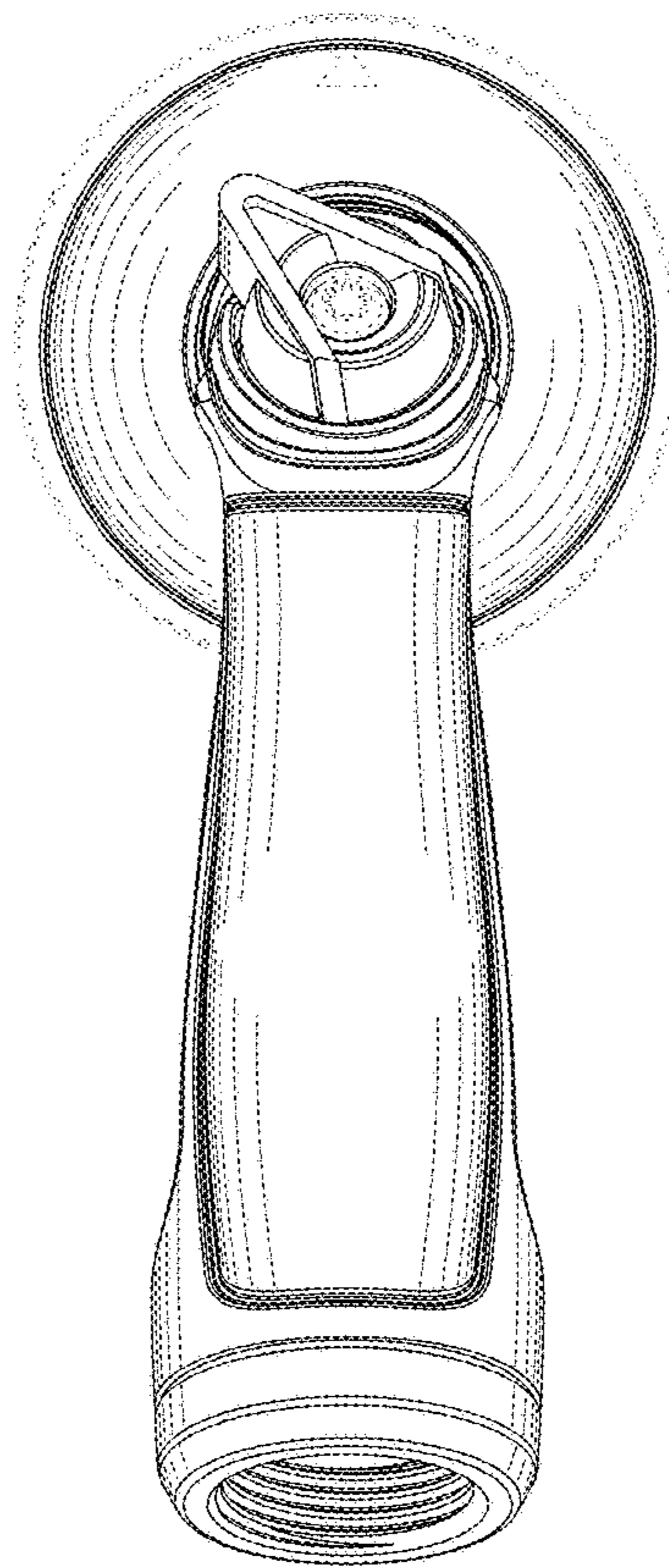


FIG. 3

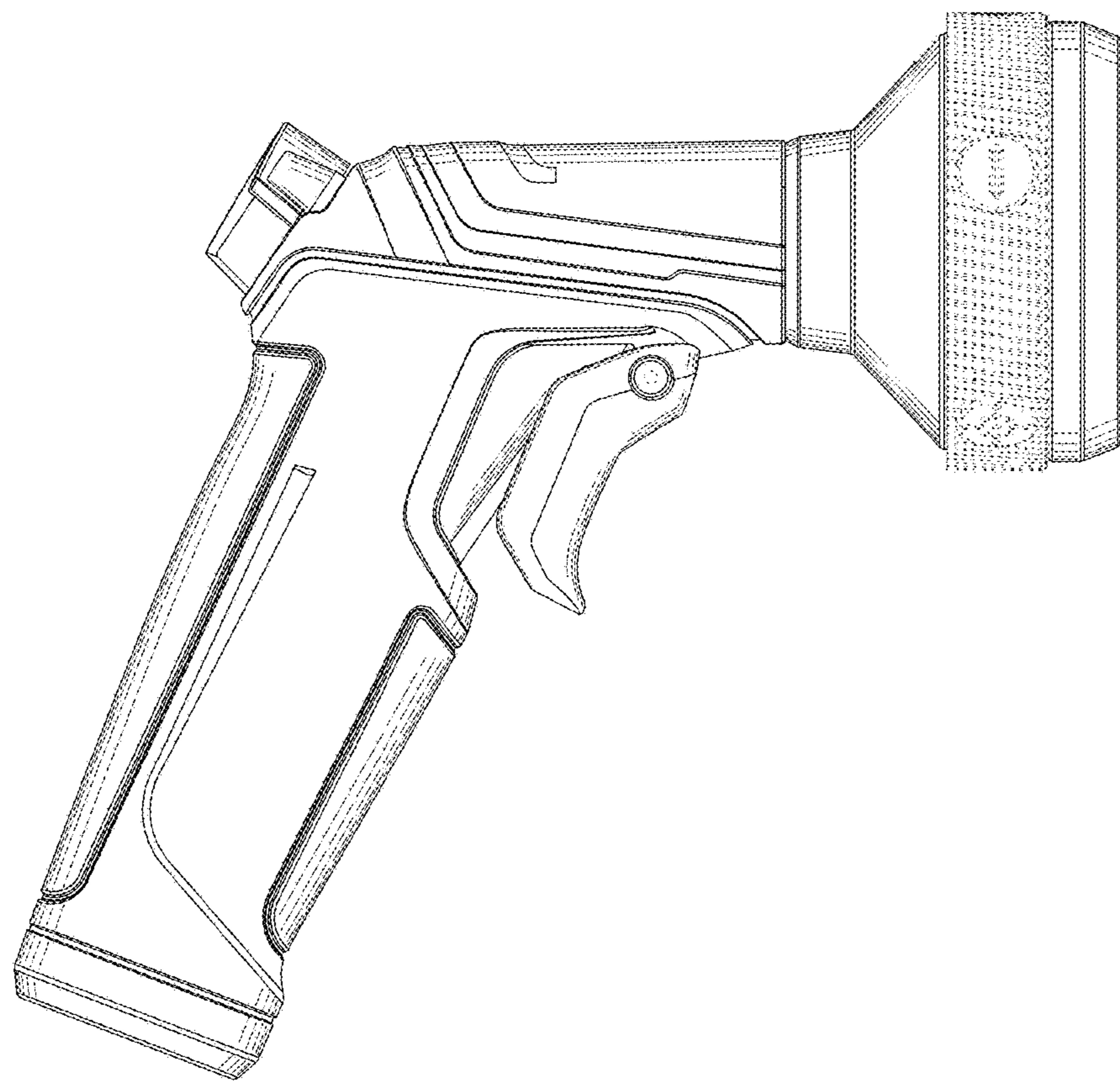


FIG. 4

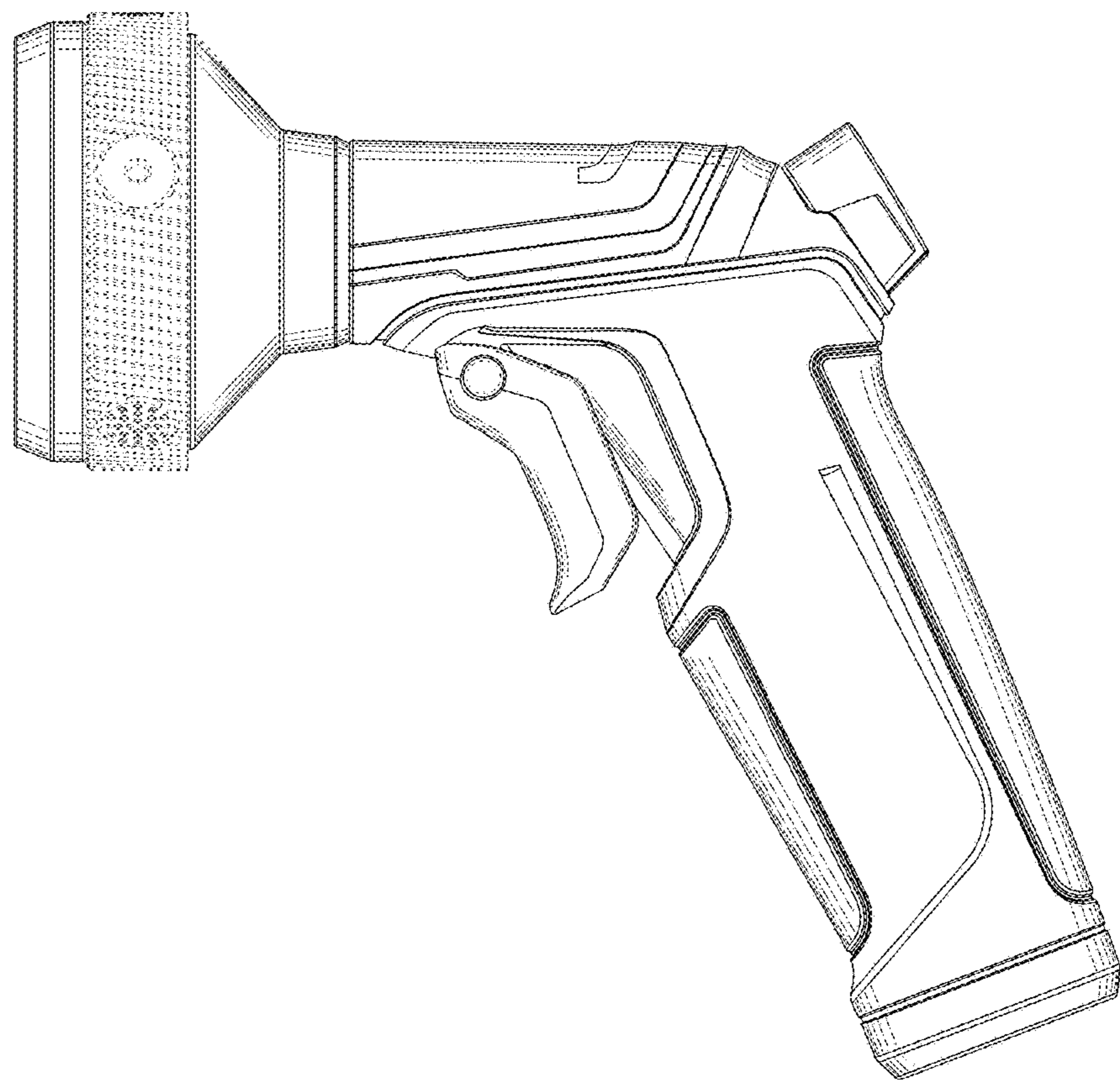


FIG. 5

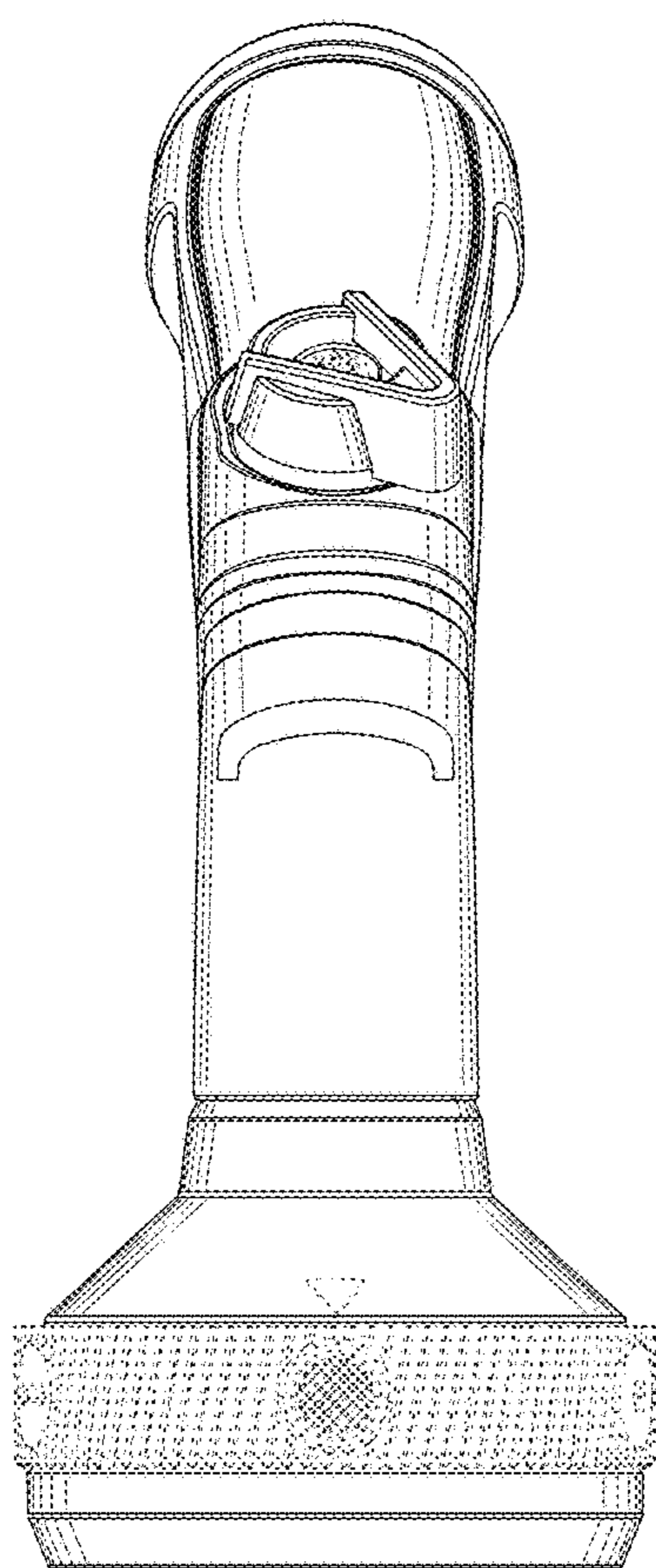


FIG. 6

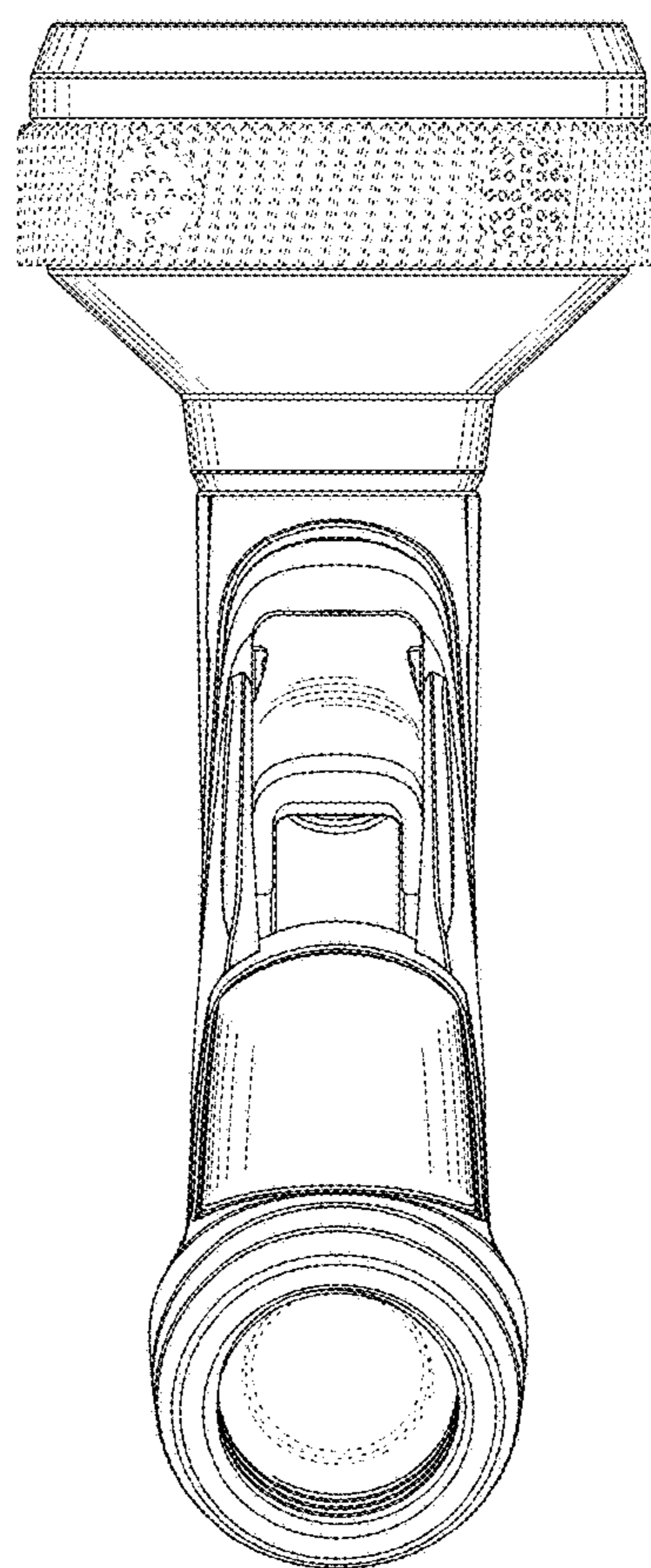


FIG. 7

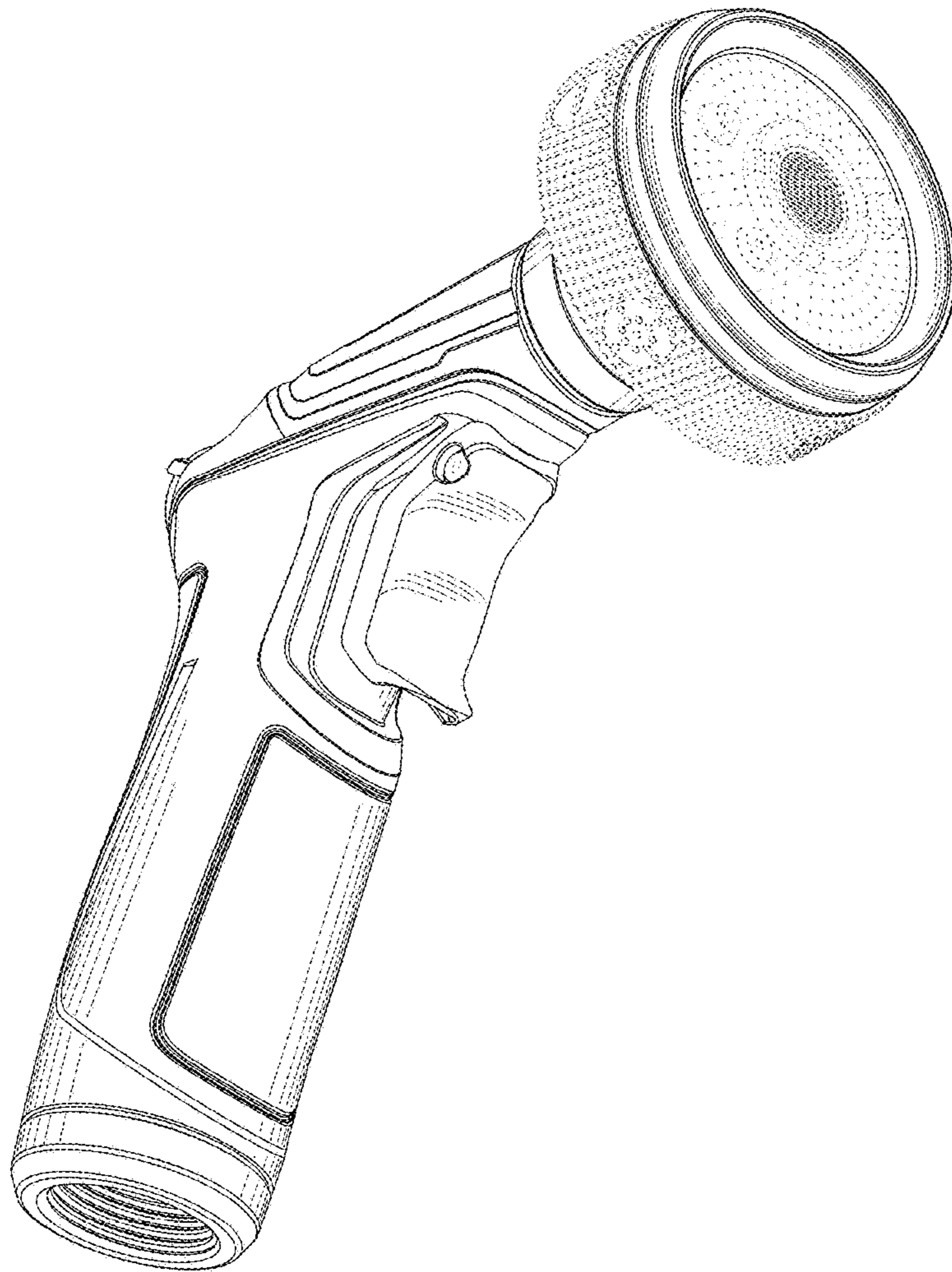


FIG. 8