



US00D849888S

(12) **United States Design Patent**
Schürle

(10) **Patent No.:** **US D849,888 S**

(45) **Date of Patent:** **** May 28, 2019**

(54) **FAUCET STREAM STRAIGHTENER**

(71) Applicant: **NEOPERL GMBH**, Müllheim (DE)

(72) Inventor: **Holger Schürle**, Müllheim-Feldberg (DE)

(73) Assignee: **Neoperl GmbH**, Müllheim (DE)

(**) Term: **15 Years**

(21) Appl. No.: **35/502,777**

(22) Filed: **Mar. 7, 2017**

(80) **Hague Agreement Data**

Int. Filing Date: **Mar. 7, 2017**

Int. Reg. No.: **DM/095439**

Int. Reg. Date: **Mar. 7, 2017**

Int. Reg. Pub. Date: **Apr. 7, 2017**

(51) **LOC (11) Cl.** **23-01**

(52) **U.S. Cl.**
USPC **D23/213**

(58) **Field of Classification Search**
USPC D23/213, 229, 233, 235, 247-249, 264,
D23/260

CPC B05B 7/0425; E03C 1/08; E03C 1/084;
E03C 1/086; E03C 2001/026

See application file for complete search history.

(56) **References Cited**

U.S. PATENT DOCUMENTS

D752,710 S * 3/2016 Tempel D23/213

D753,792 S * 4/2016 Blum D23/213

D776,242 S * 1/2017 Blum D23/213

D788,264 S * 5/2017 Stein D23/213

D797,236 S * 9/2017 Blum D23/213

D828,492 S * 9/2018 Stein D23/213

D834,153 S * 11/2018 Tempel D23/260

* cited by examiner

Primary Examiner — Keli L Hill

(74) *Attorney, Agent, or Firm* — Volpe and Koenig, P.C.

(57) **CLAIM**

The ornamental design for a faucet stream straightener, as shown and described.

DESCRIPTION

1.- 2. Faucet stream straighteners

1.1 : Top

1.2 : Perspective

1.3 : Bottom

1.4 : Perspective

1.5 : Front

1.6 : Right

1.7 : Back

1.8 : Left

2.1 : Top

2.2 : Perspective

2.3 : Bottom

2.4 : Perspective

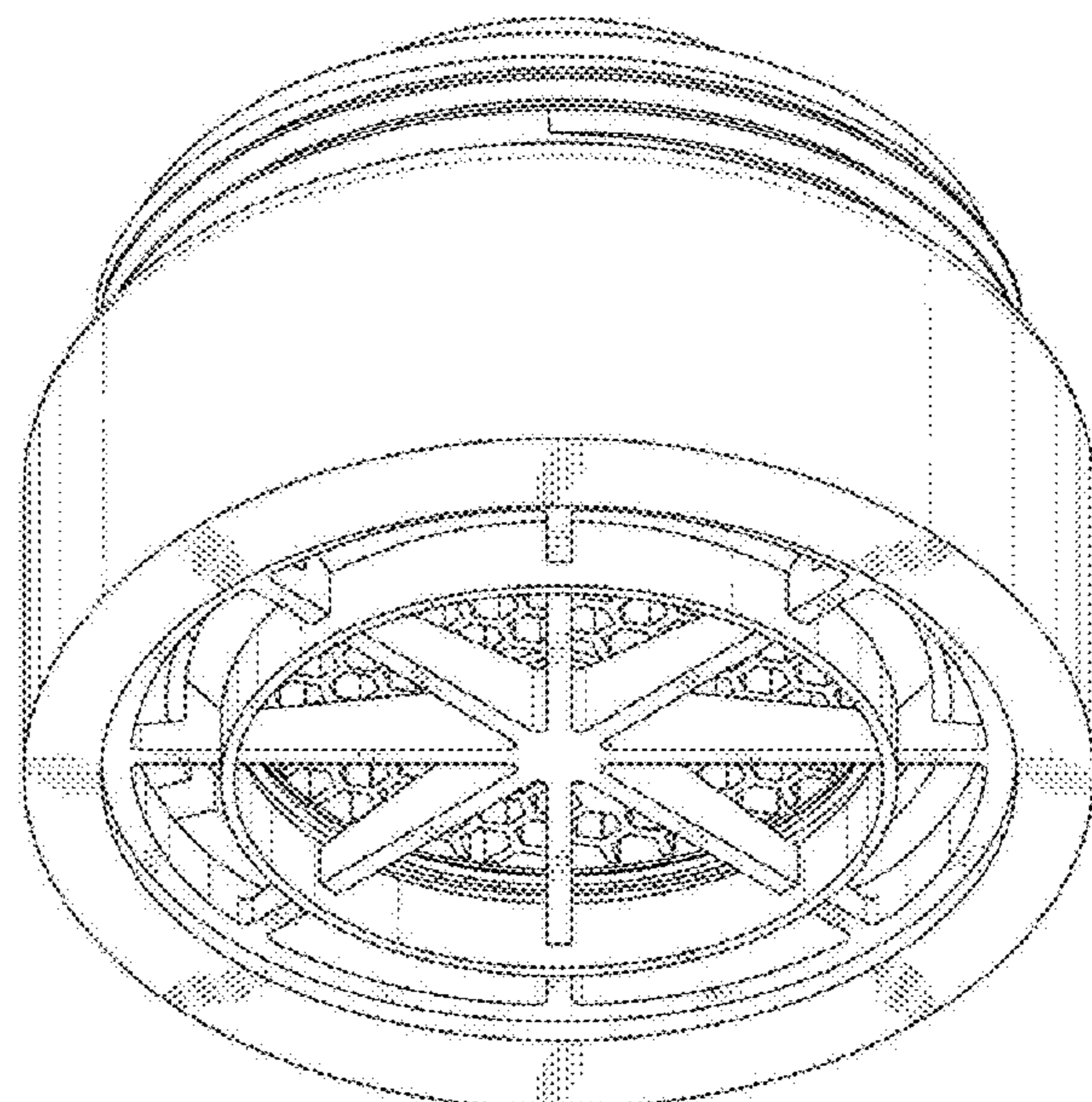
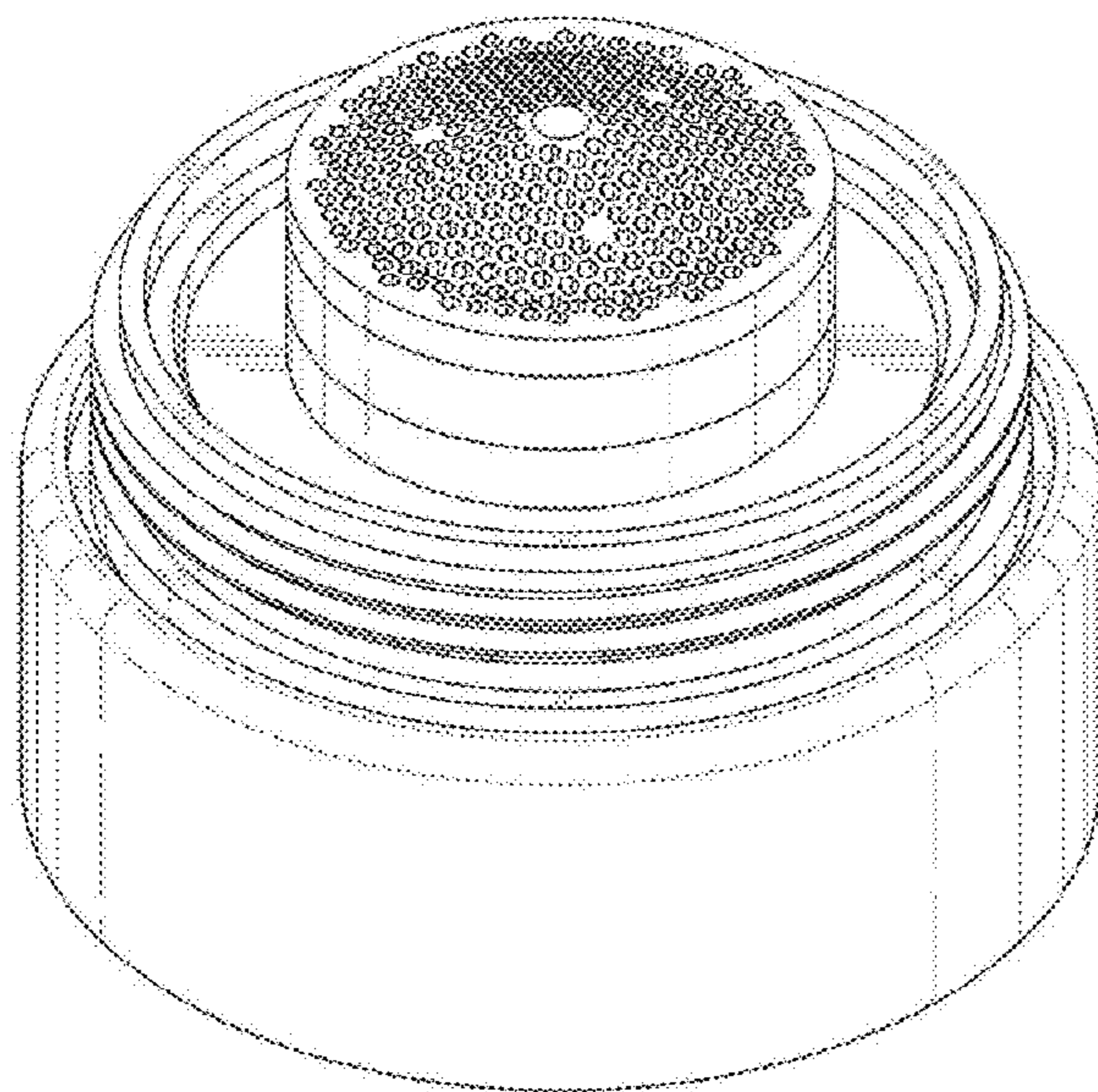
2.5 : Front

2.6 : Right

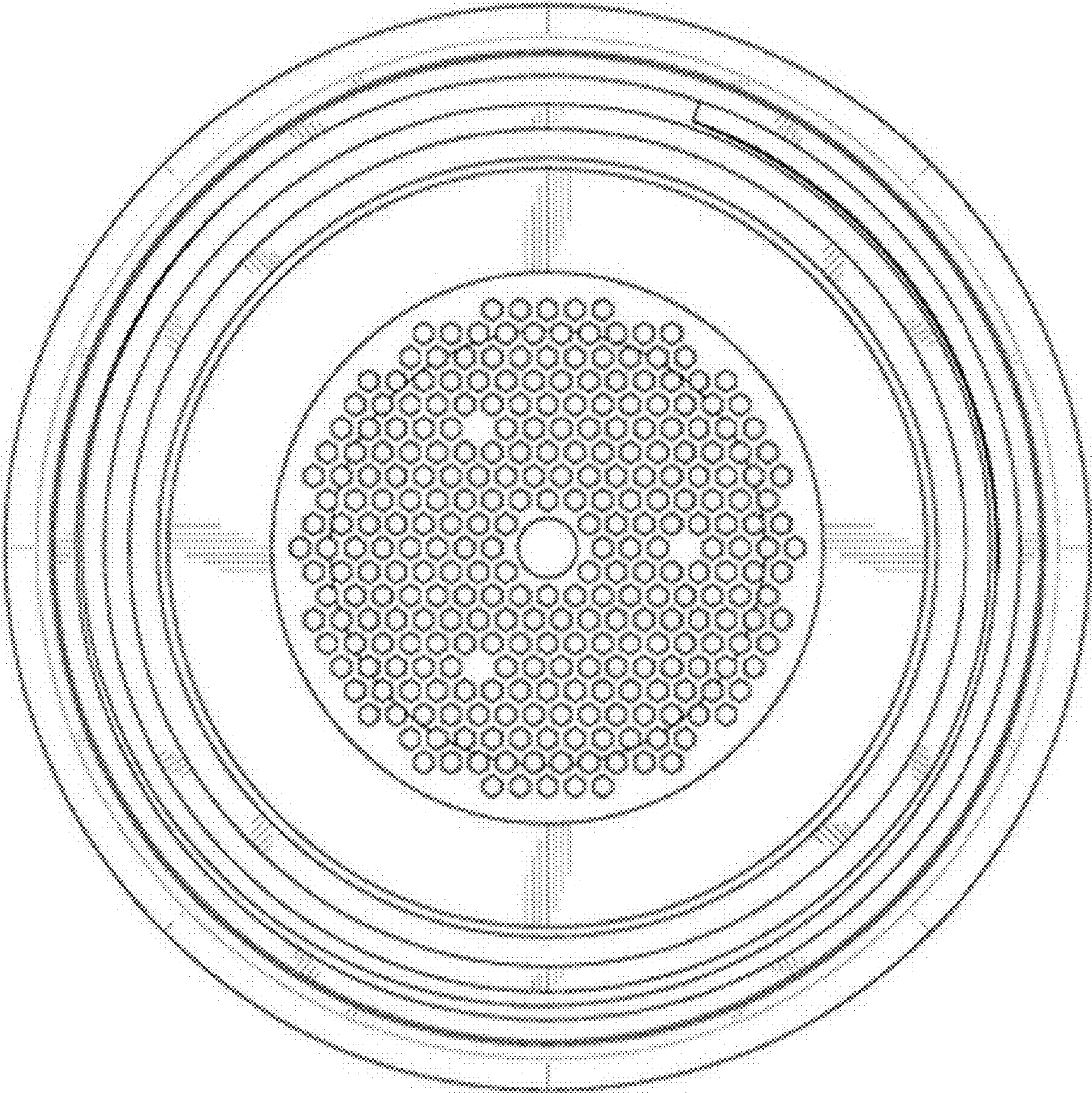
2.7 : Back

2.8 : Left

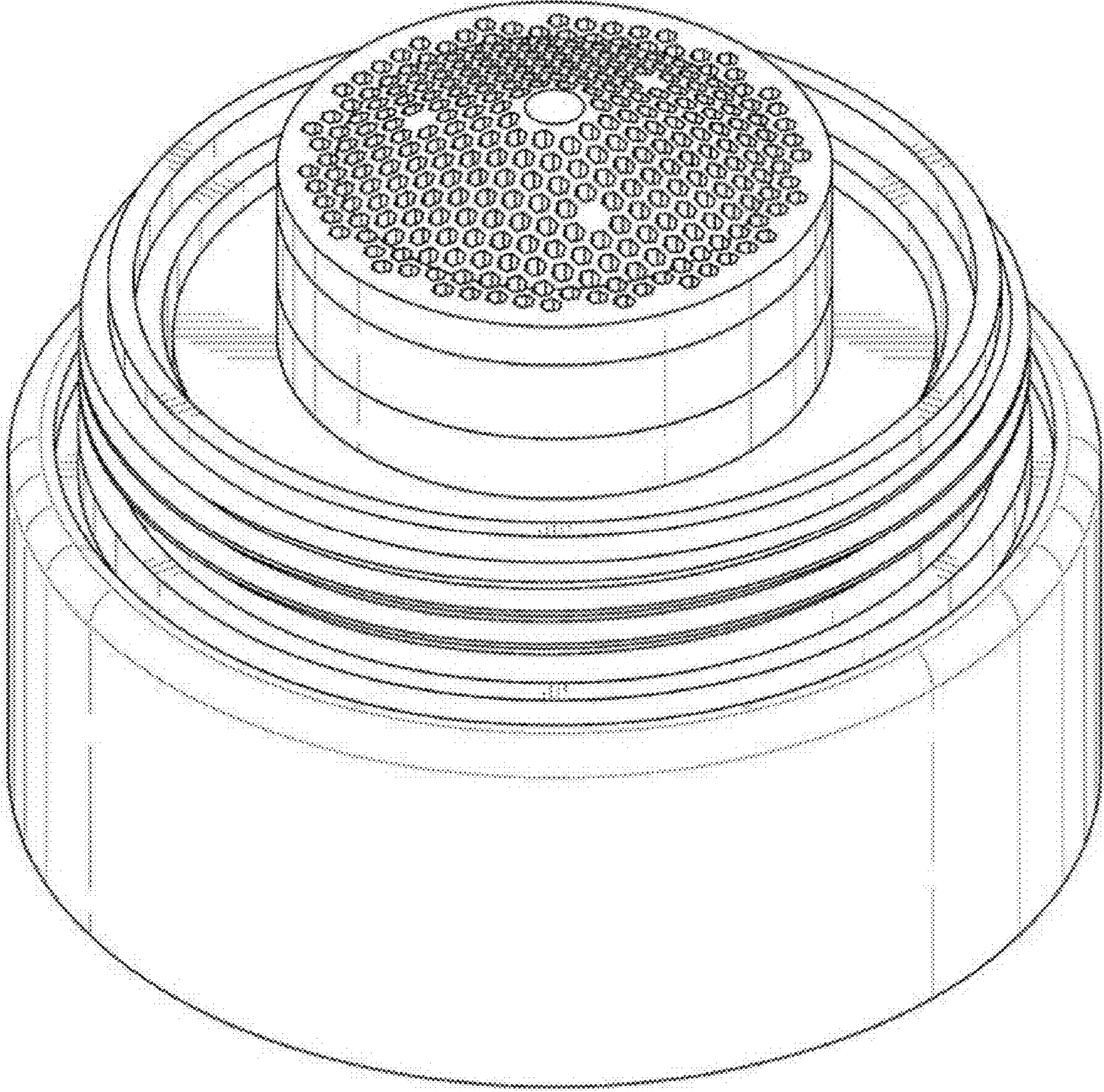
1 Claim, 16 Drawing Sheets



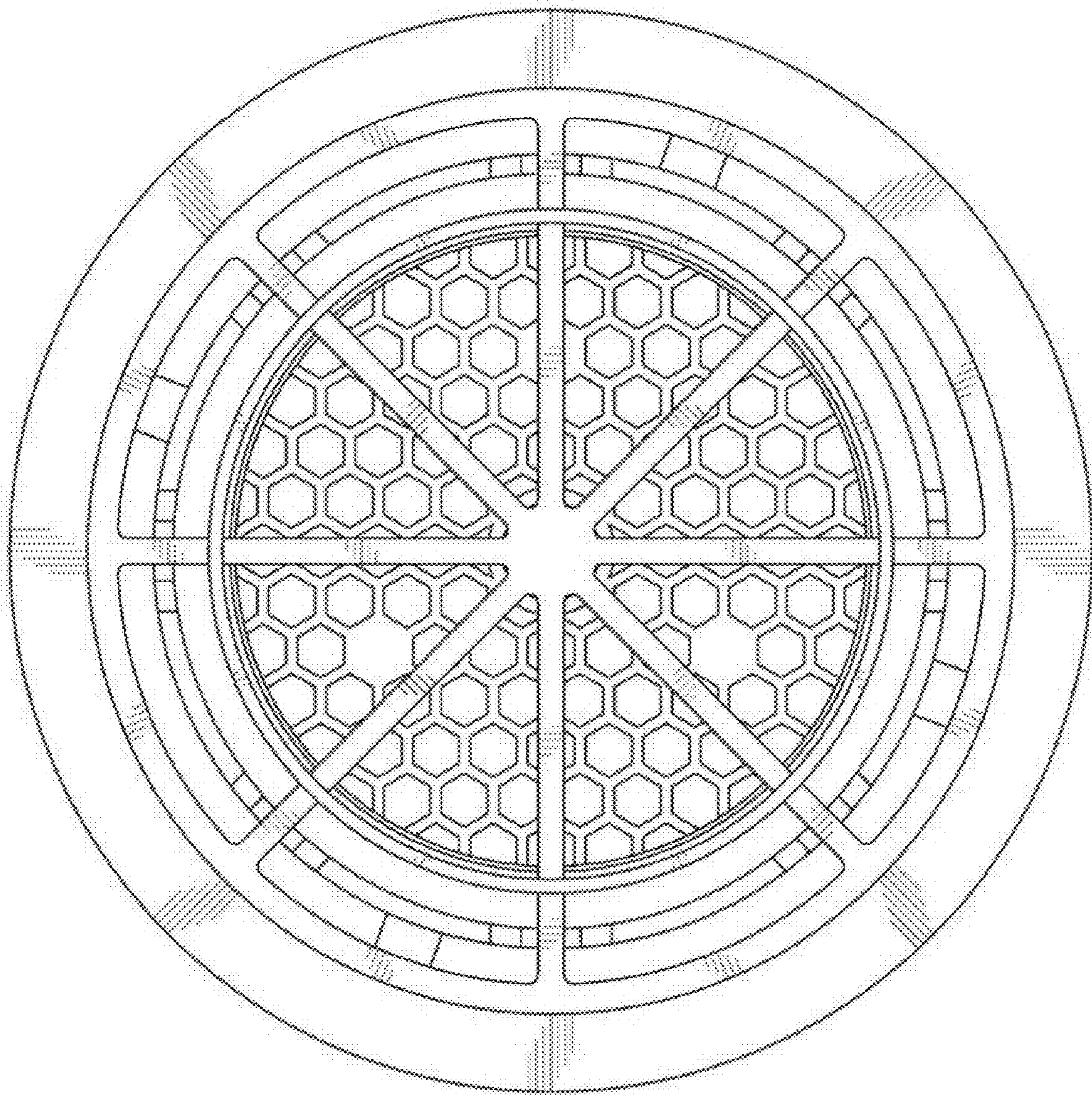
1.1



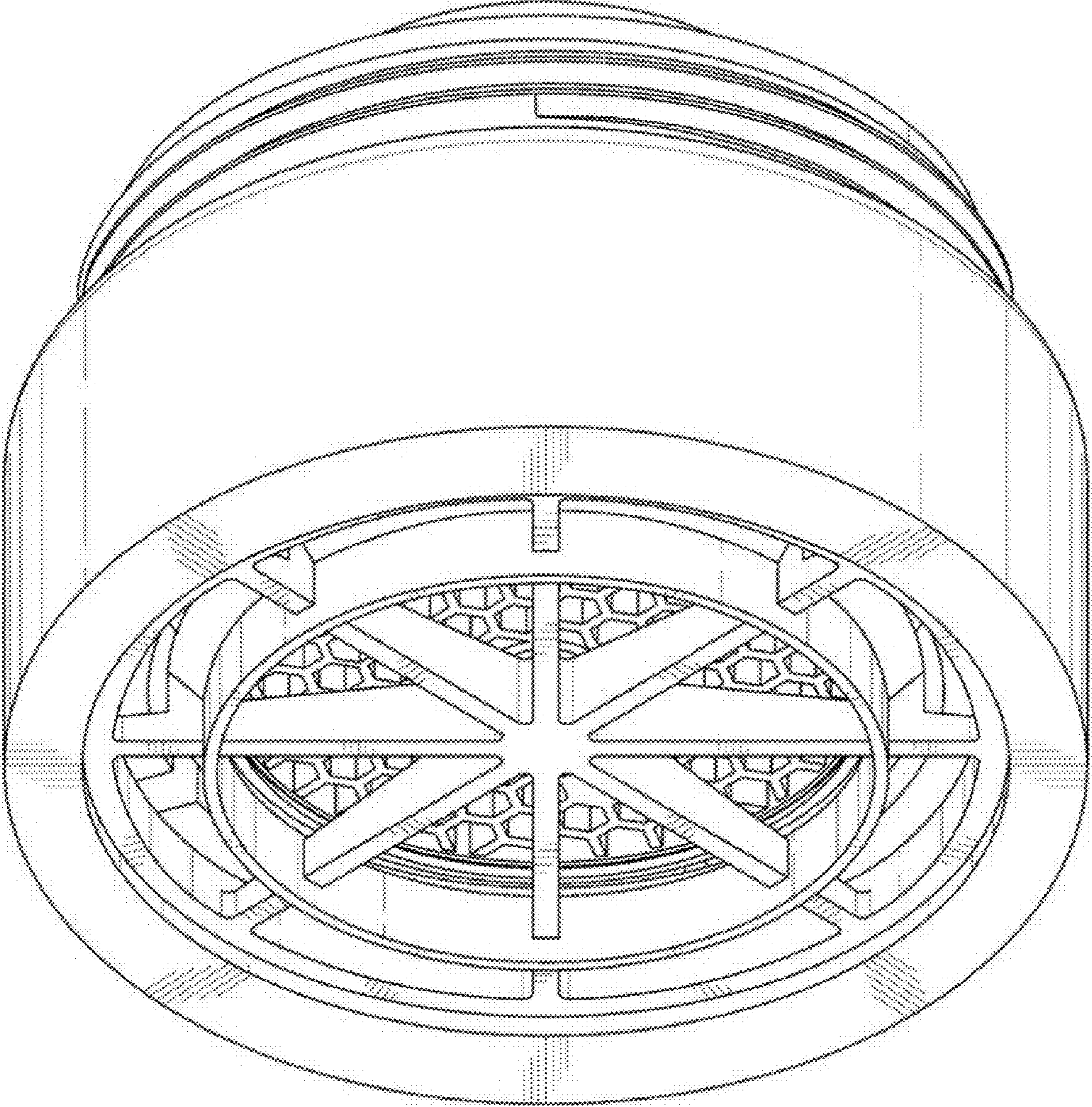
1.2



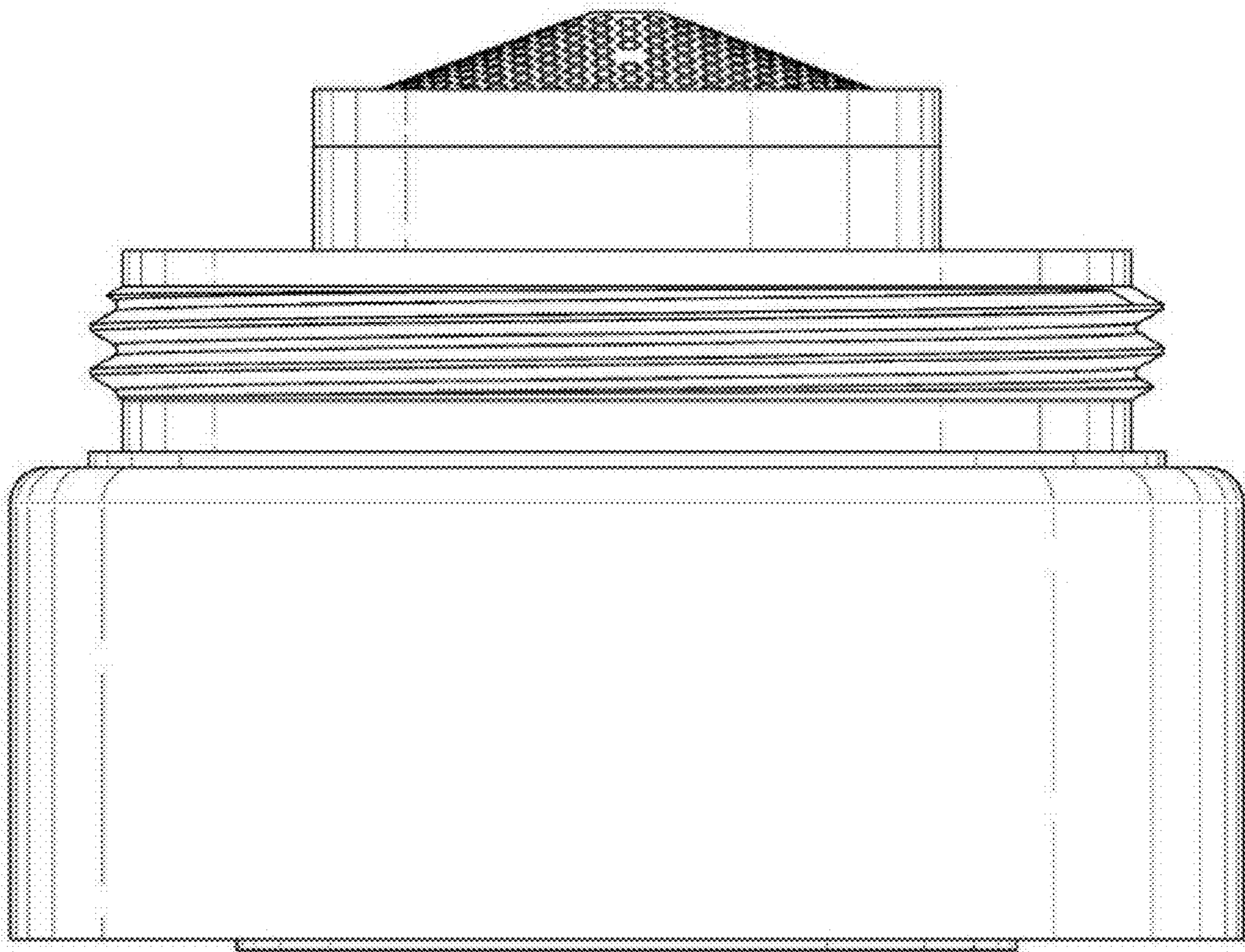
1.3



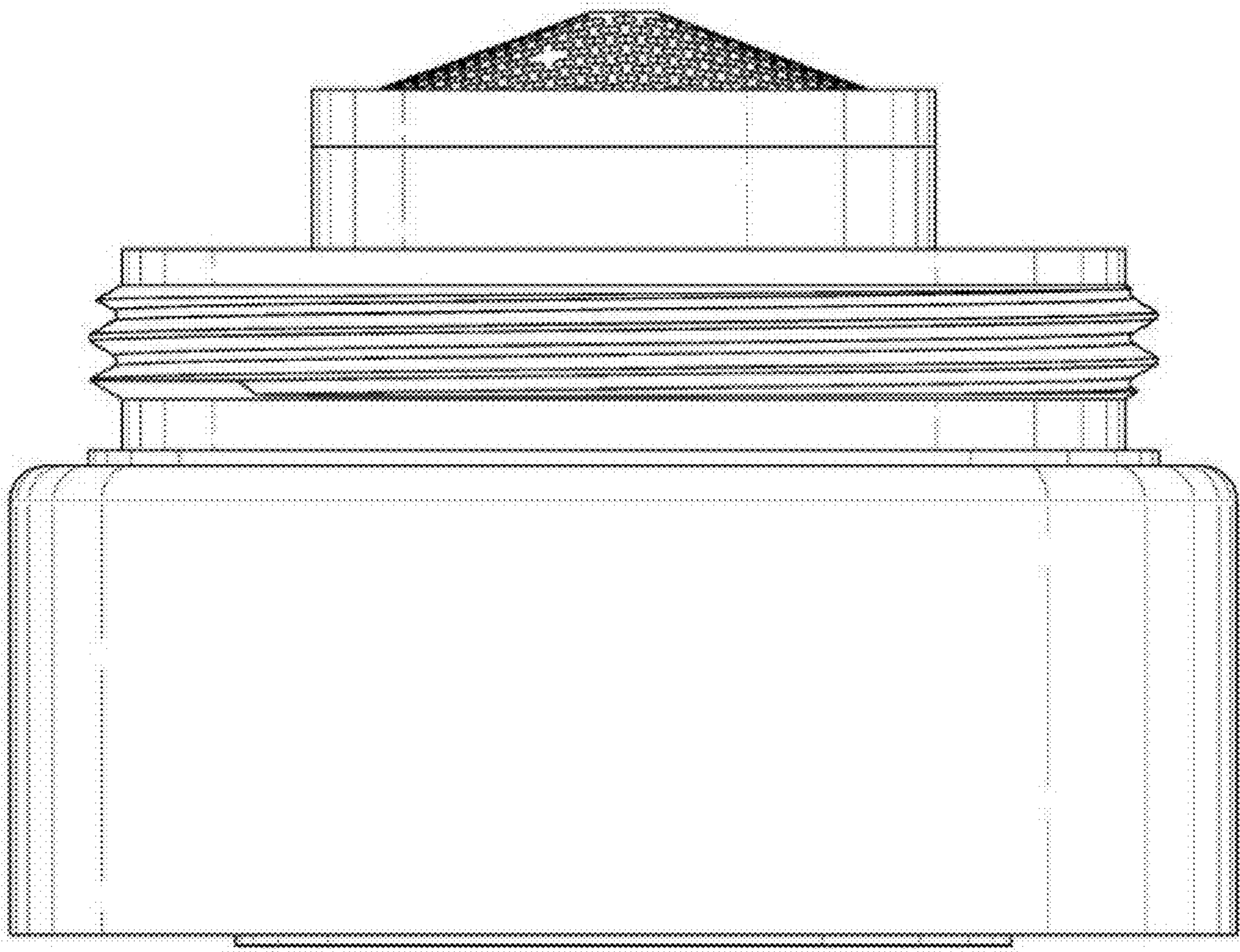
1.4



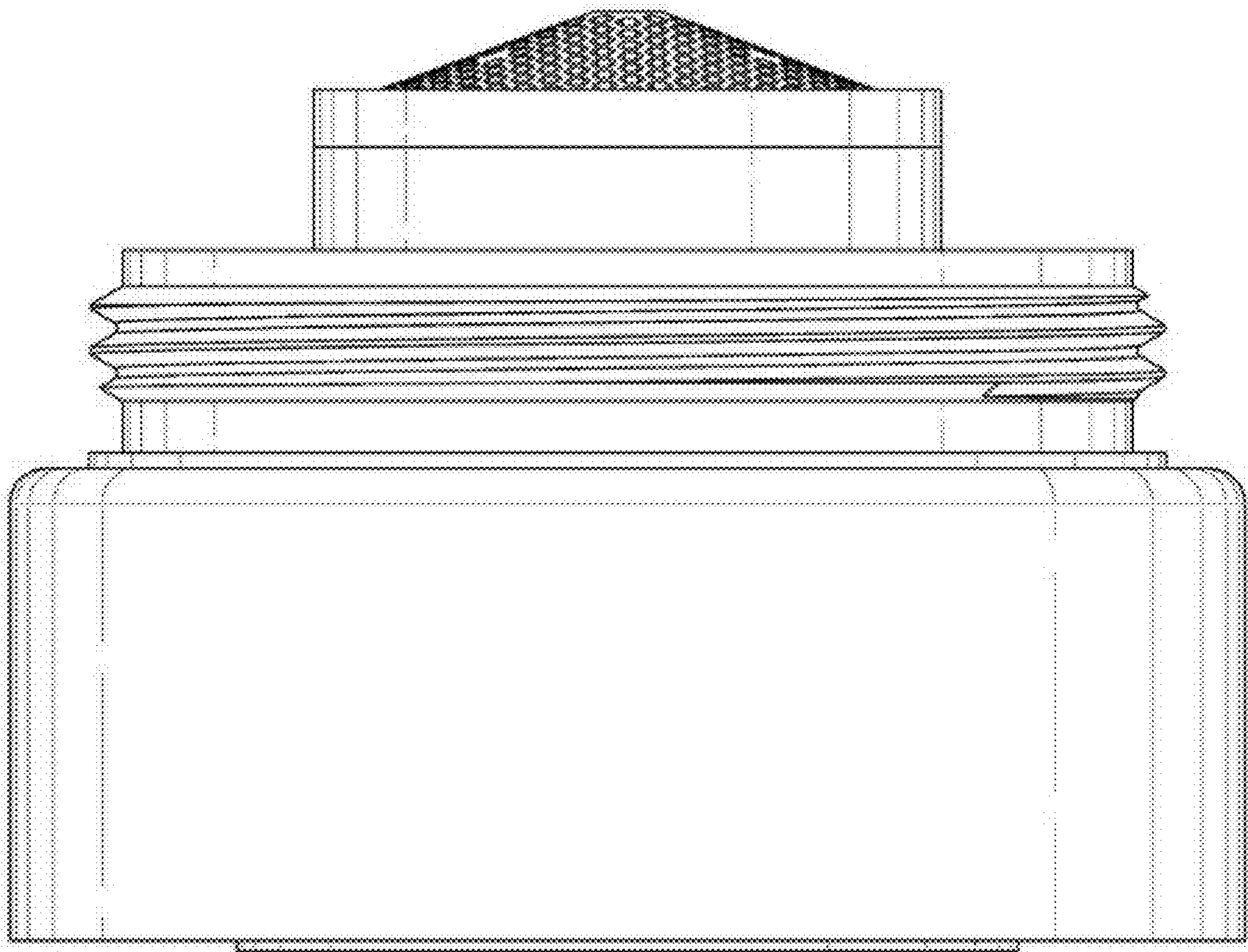
1.5



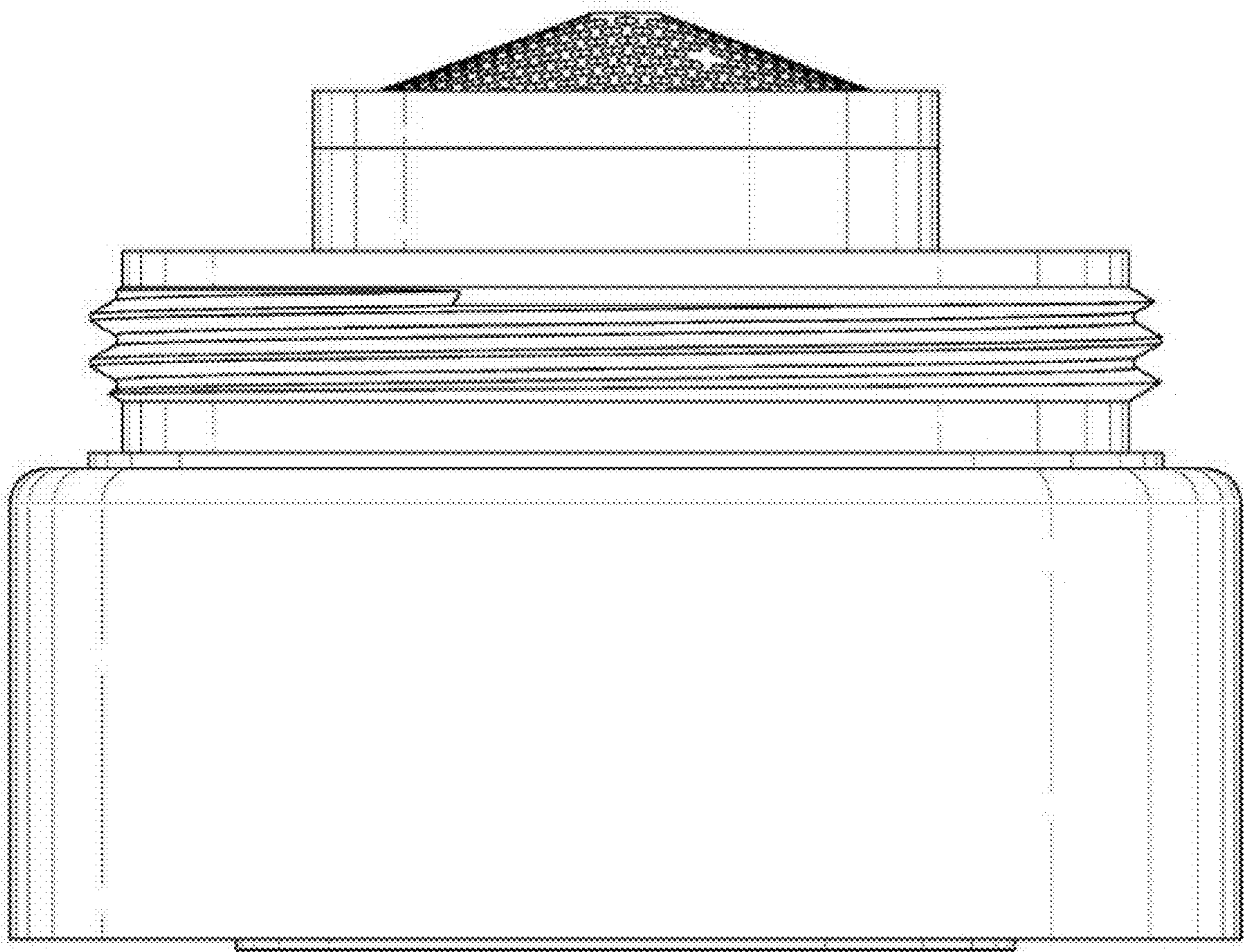
1.6



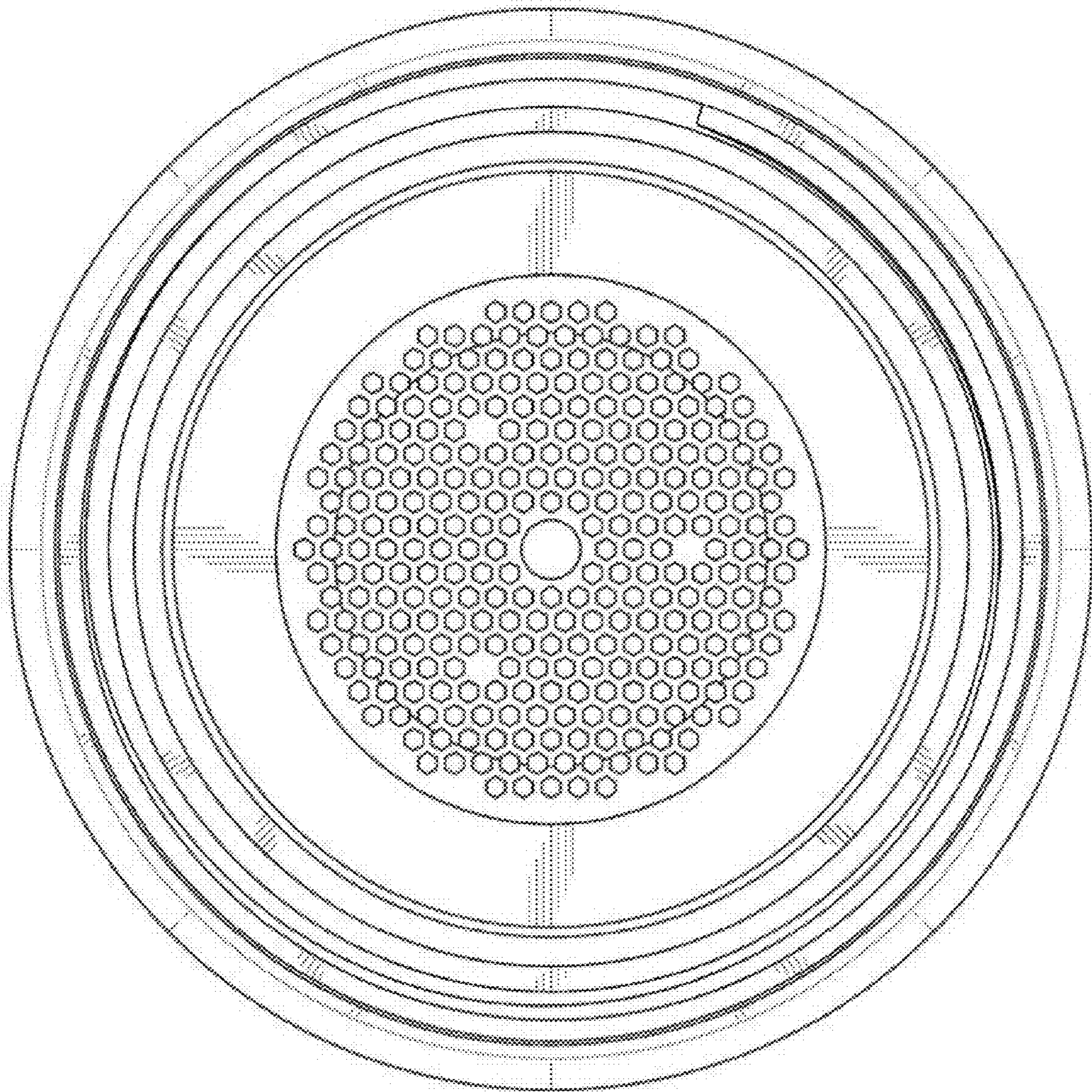
1.7



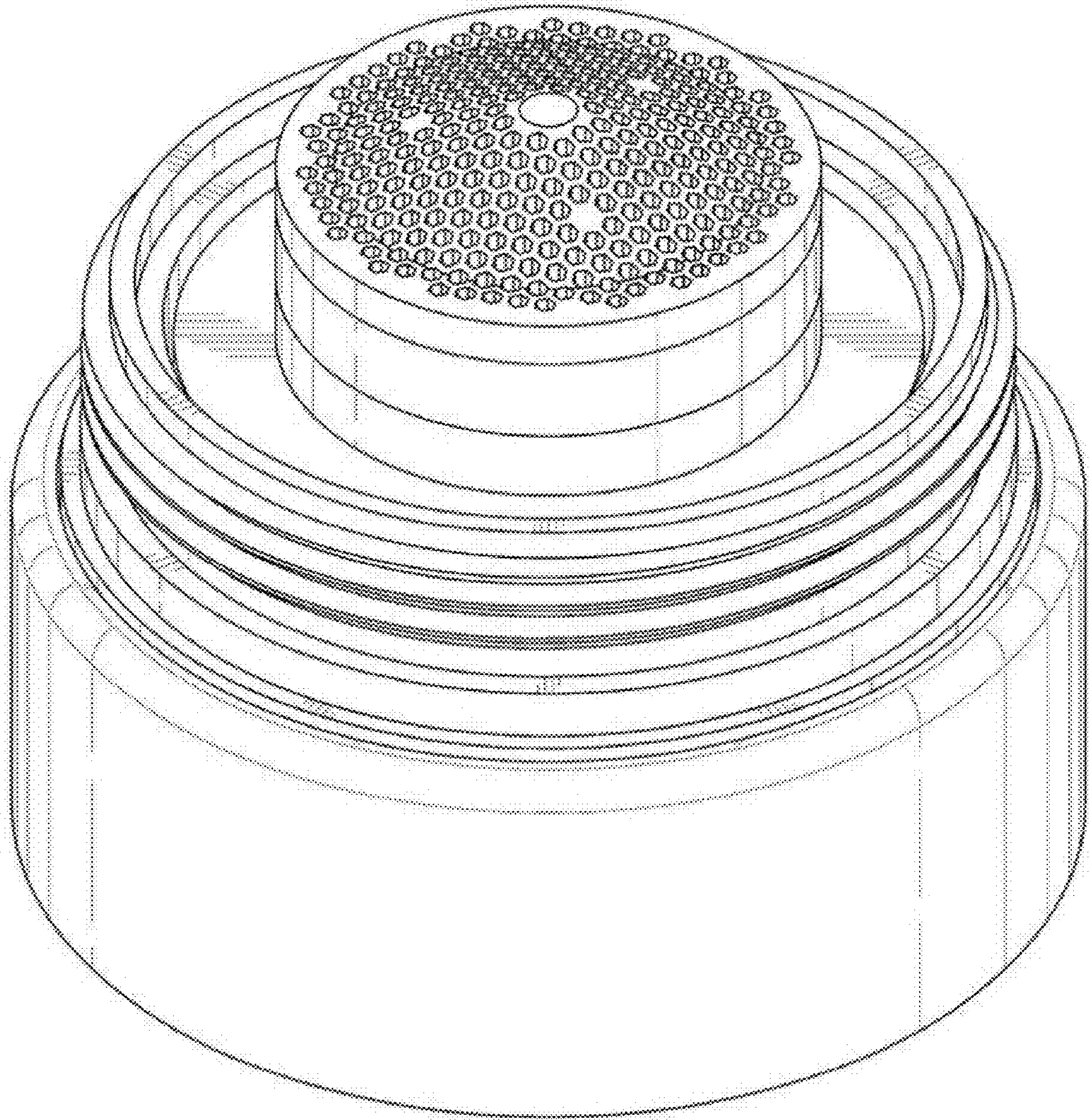
1.8



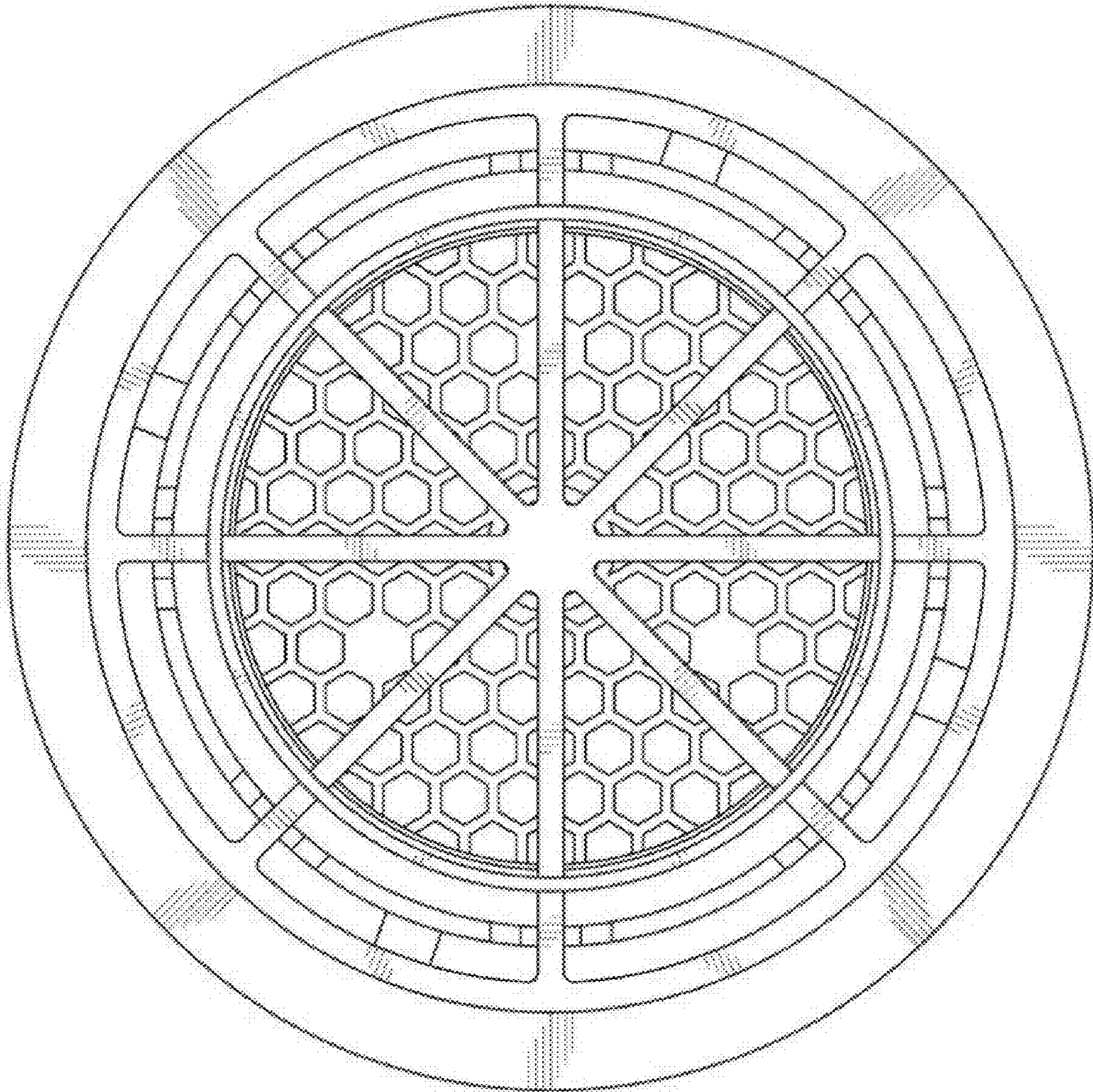
2.1



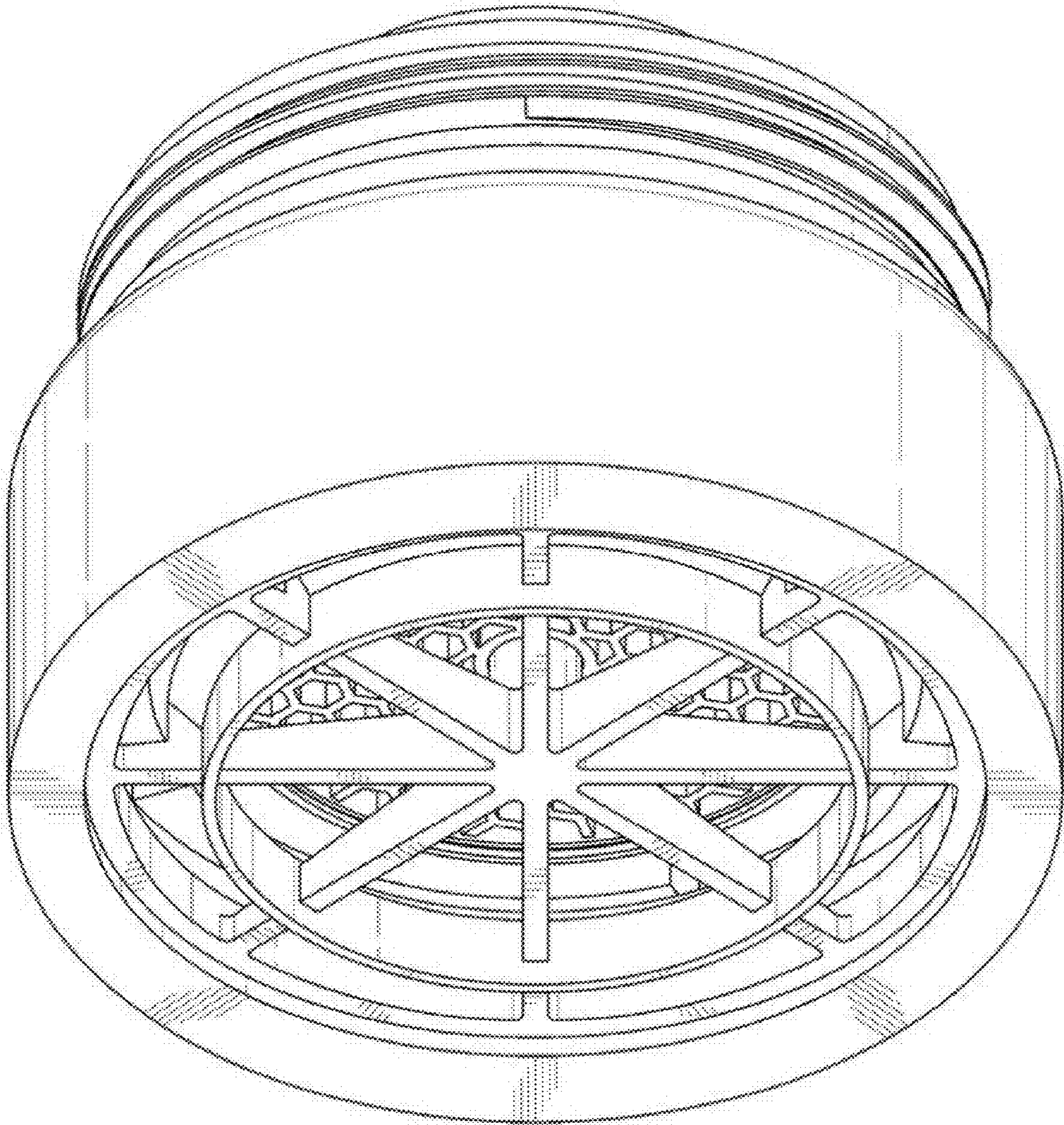
2.2



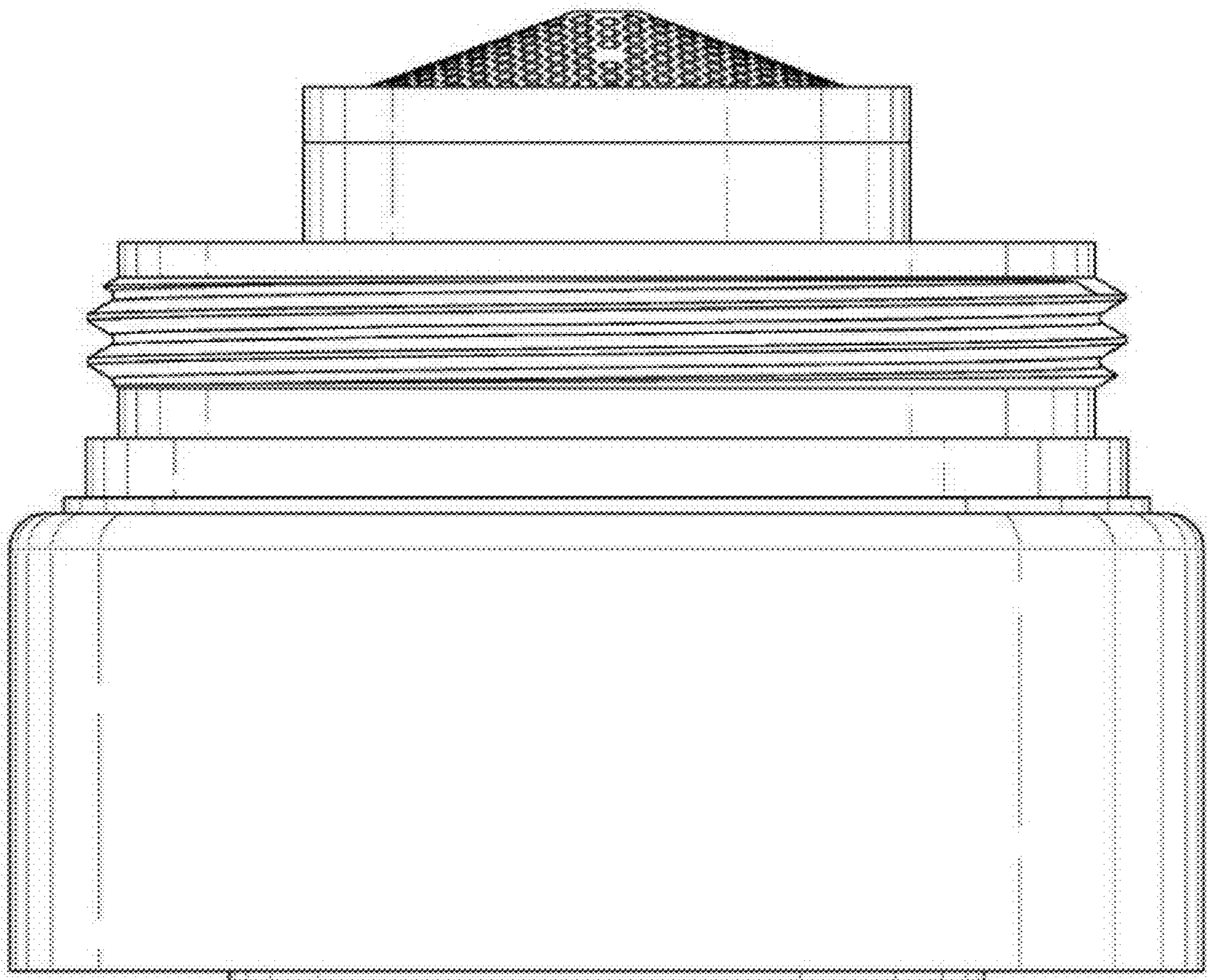
2.3



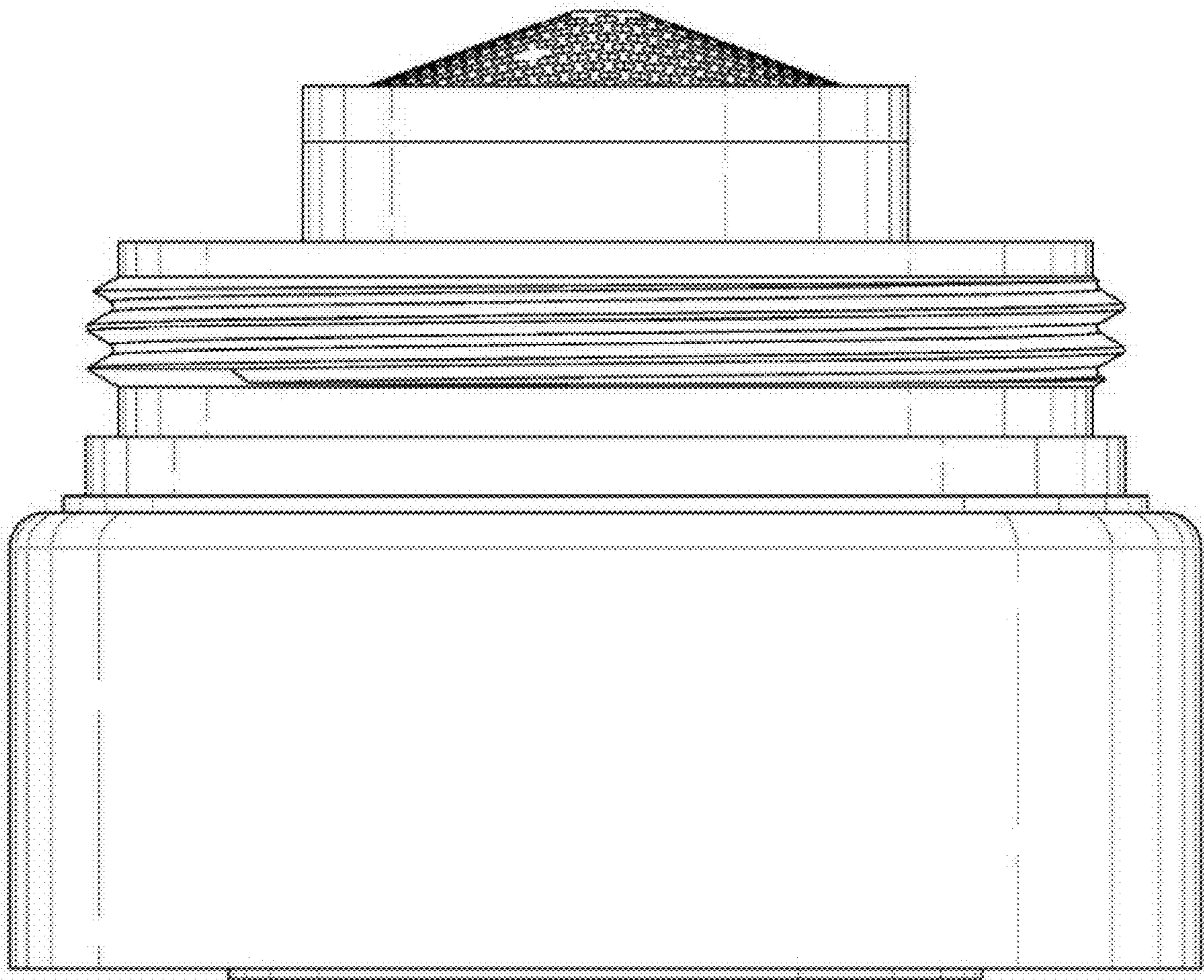
2.4



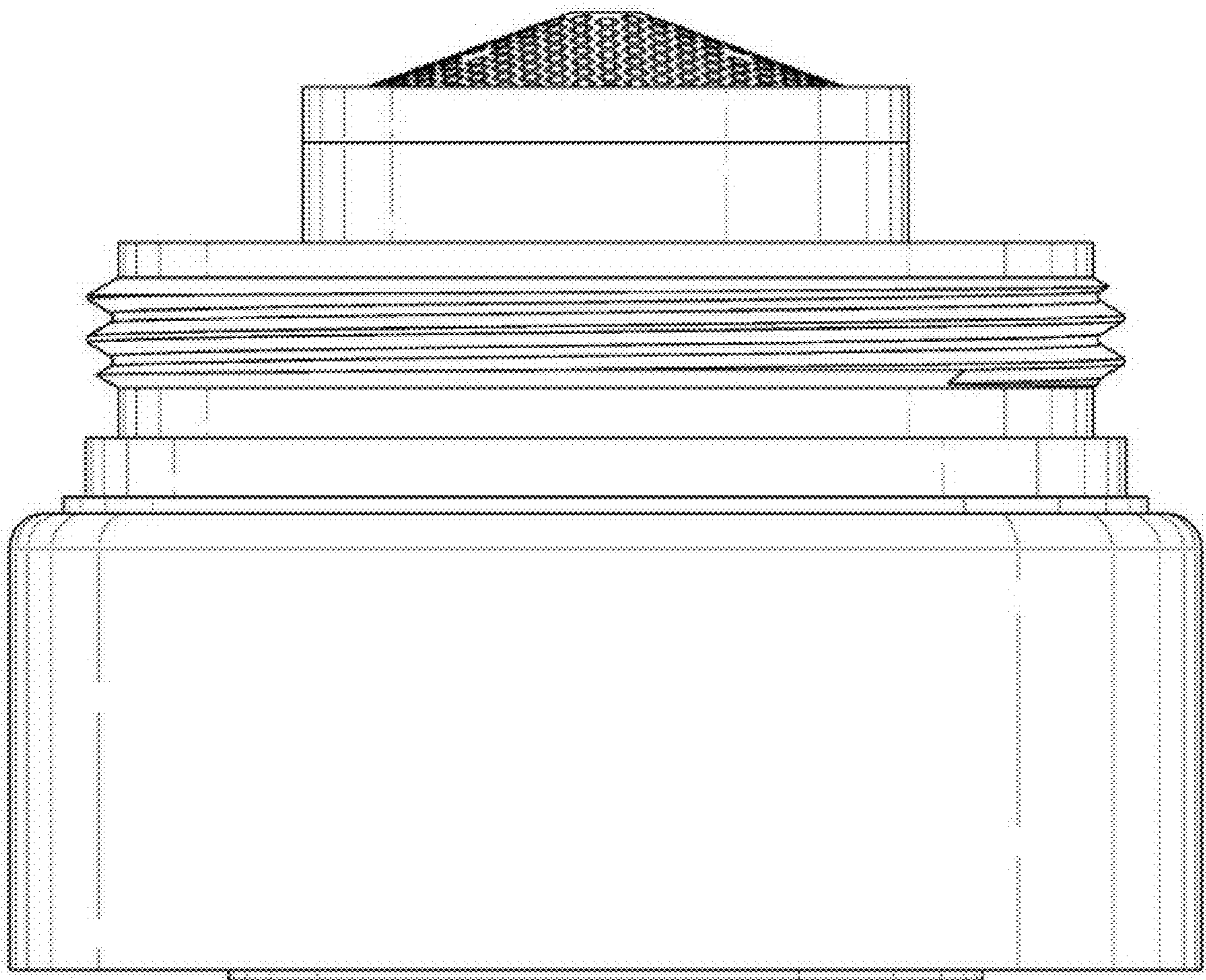
2.5



2.6



2.7



2.8

