



US00D849886S

(12) **United States Design Patent** (10) **Patent No.:** **US D849,886 S**
Buckley et al. (45) **Date of Patent:** **** May 28, 2019**

(54) **WATER PURIFICATION DEVICE**

(71) Applicant: **Unger Marketing International, LLC**,
Bridgeport, CT (US)

(72) Inventors: **James M. Buckley**, New Hartford, CT
(US); **Joseph K. Patterson**, Monroe,
CT (US); **Robert Camp**, Bethany, CT
(US)

(73) Assignee: **UNGER MARKETING
INTERNATIONAL, LLC**, Bridgeport,
CT (US)

(**) Term: **15 Years**

(21) Appl. No.: **29/615,291**

(22) Filed: **Aug. 28, 2017**

(51) **LOC (11) Cl.** **23-01**

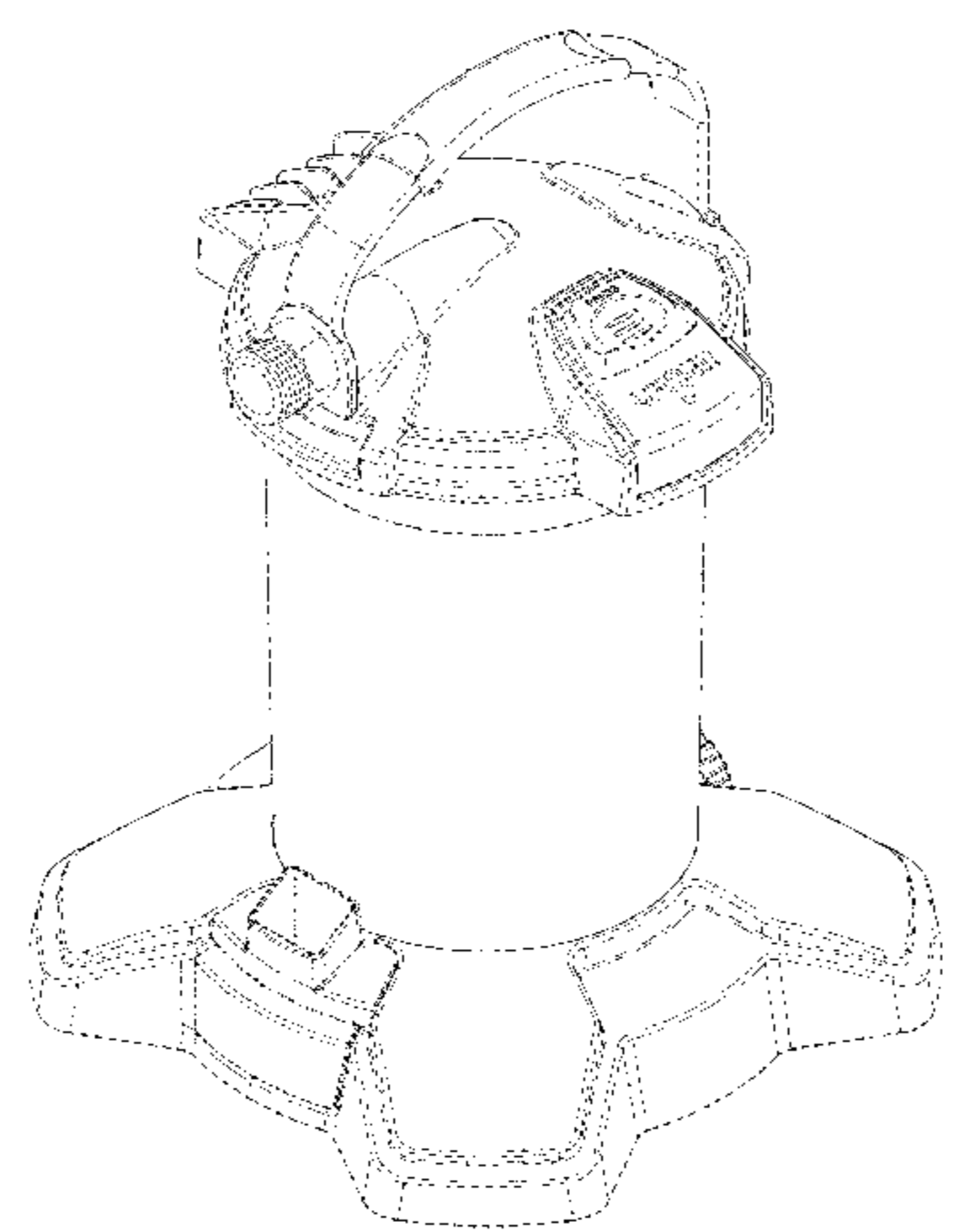
(52) **U.S. Cl.**
USPC **D23/207**

(58) **Field of Classification Search**
USPC D23/207, 209; D7/306, 309; 210/241,
210/435
CPC B01D 35/30; B01D 35/14; B01D 35/0276;
B01D 35/027
See application file for complete search history.

3,283,903 A	11/1966	Muller
3,319,794 A	5/1967	Gross
3,327,859 A	6/1967	Pall
3,342,340 A	9/1967	Shindell
3,371,792 A	3/1968	Weyand et al.
3,402,126 A	9/1968	Cioffi
3,497,069 A	2/1970	Lindenthal et al.
3,517,816 A	6/1970	Hoppen
3,561,602 A	2/1971	Molitor
3,642,213 A	2/1972	Parkison et al.
3,746,171 A	7/1973	Thomsen
3,807,298 A	4/1974	Luke et al.
3,960,092 A	6/1976	Newman, Jr.
4,005,010 A	1/1977	Lunt
4,048,030 A	9/1977	Miller
4,048,064 A	9/1977	Clark, III
4,102,473 A	7/1978	Draxler
4,368,123 A	1/1983	Stanley
4,418,924 A	12/1983	MacK
4,728,422 A	1/1988	Bailey
4,793,922 A	12/1988	Morton
4,795,173 A	1/1989	Osborne
4,877,526 A	10/1989	Johnson et al.
4,882,050 A	11/1989	Kopf
4,885,089 A	12/1989	Hankammer
4,989,636 A	2/1991	Hunter et al.
5,006,238 A	4/1991	Tominaga
D320,273 S	9/1991	Heiden
5,064,534 A	11/1991	Busch
5,087,357 A	2/1992	Villa
5,100,551 A	3/1992	Pall et al.
5,112,503 A	5/1992	Raifman
5,114,572 A	5/1992	Hunter et al.
5,154,823 A	10/1992	Ma et al.
5,236,595 A	8/1993	Wang et al.
5,254,242 A	10/1993	van der Meer
5,288,412 A	2/1994	Voorhees et al.
5,318,703 A	6/1994	Heiligman
5,378,370 A	1/1995	Brane et al.
5,510,027 A	4/1996	Tejeda
D372,760 S *	8/1996	Brancazio D23/209
D374,064 S *	9/1996	Brancazio D23/209
5,558,244 A	9/1996	Akaike et al.
5,566,611 A	10/1996	Scheucher et al.
5,595,652 A	1/1997	Rainer
5,605,624 A	2/1997	Wright
5,605,632 A	2/1997	Jansen
5,624,559 A	4/1997	Levin et al.
5,637,214 A	6/1997	Kahana
5,660,863 A	8/1997	Nakano et al.
5,853,572 A	12/1998	Kuennen et al.
5,876,600 A	3/1999	Matsubara et al.
5,985,139 A	11/1999	Zoeller

(56) **References Cited**
U.S. PATENT DOCUMENTS

661,339 A	11/1900	Grever
2,063,086 A	12/1936	Fitz Gerald
2,073,991 A	3/1937	Koser
2,087,157 A	7/1937	Lind
2,167,225 A	7/1939	Van Eweyk
2,278,488 A	4/1942	Ralston
2,365,221 A	12/1944	Shafor
2,525,497 A	10/1950	Monfried
2,630,227 A	3/1953	Rodwell
2,717,614 A	9/1955	Palvios
2,753,302 A	7/1956	Cioffi
3,094,043 A	6/1963	Powers et al.
3,209,915 A	10/1965	Gutkowski
3,266,628 A	8/1966	Price



5,993,656	A	11/1999	Cordani	
6,068,761	A	5/2000	Yuen	
6,099,728	A	8/2000	Bairischer	
6,120,686	A	9/2000	Bilz	
6,132,612	A	10/2000	Bourgeois	
6,136,183	A	10/2000	Suzuki et al.	
6,197,193	B1	3/2001	Archer	
6,274,055	B1	8/2001	Zuk, Jr.	
6,343,697	B1	2/2002	Hausdorf et al.	
6,391,097	B1	5/2002	Rosenberg	
6,500,335	B2	12/2002	Janik et al.	
6,610,275	B1	8/2003	Owades et al.	
6,622,871	B2	9/2003	Gabele et al.	
D481,442	S *	10/2003	Liu	D23/209
6,649,056	B2	11/2003	Fritze	
6,685,843	B2	2/2004	Leaverton	
6,716,348	B1	4/2004	Morgan	
6,764,595	B1	7/2004	Halemba et al.	
6,773,588	B2	8/2004	Beeman et al.	
D496,984	S	10/2004	Costa	
D506,551	S	6/2005	Booth et al.	
7,014,690	B2	3/2006	Mitsch et al.	
7,147,774	B2	12/2006	Jones, III	
7,156,994	B1	1/2007	Archer	
7,186,338	B2	3/2007	Boisvert	
7,243,728	B2	7/2007	Stoesz et al.	
7,303,605	B2	12/2007	Zia et al.	
D562,431	S	2/2008	Brune	
7,357,337	B2	4/2008	Ferrari	
7,378,019	B1	5/2008	Currier et al.	
7,459,078	B2	12/2008	Klein	
7,566,399	B2	7/2009	Kuo	
7,625,199	B2	12/2009	Jahn et al.	
7,748,755	B2	7/2010	Camp et al.	
7,850,859	B2	12/2010	Tanner et al.	
7,963,400	B2	6/2011	Stolarik et al.	
8,110,103	B2	2/2012	Mormino et al.	
8,182,212	B2	5/2012	Parcell	
8,323,493	B2	12/2012	Quintel et al.	
8,393,262	B1	3/2013	Molayem	
8,464,743	B2	6/2013	King et al.	
D740,915	S	10/2015	Harrington	
D779,629	S *	2/2017	Kemper	D23/207
D797,888	S *	9/2017	Schurmeyer	D23/207
2004/0084361	A1	5/2004	Janik et al.	
2004/0140251	A1	7/2004	Hsiao	
2004/0251191	A1	12/2004	Darmawan	
2005/0199536	A1	9/2005	Koslow	
2006/0086656	A1	4/2006	Morgan	
2007/0235381	A1	10/2007	Tsai	
2008/0000820	A1	1/2008	Mitchell	
2008/0011669	A1	1/2008	Morgan	
2008/0296210	A1	12/2008	Bittner	
2009/0008318	A1	1/2009	Anes et al.	
2009/0045583	A1	2/2009	Ropponen	
2009/0146421	A1	6/2009	Engdahl	
2009/0173284	A1	7/2009	Yoo et al.	
2009/0314703	A1	12/2009	Beach et al.	
2010/0012590	A1	1/2010	Stark	
2010/0126946	A1	5/2010	Morgan	
2010/0314301	A1	12/2010	Sloan et al.	
2011/0062065	A1	3/2011	McCague	
2011/0062066	A1	3/2011	McCague	
2011/0089180	A1	4/2011	Kolbasi	
2011/0303618	A1	12/2011	Cueman et al.	
2012/0085687	A1	4/2012	Simonette	
2012/0261325	A1	10/2012	Brown et al.	
2012/0261329	A1	10/2012	Quintel	
2012/0261359	A1	10/2012	Quintel et al.	
2013/0020246	A1	1/2013	Hoots et al.	
2013/0025447	A1	1/2013	Crowder	
2013/0056406	A1	5/2013	Jacobs et al.	
2013/0277298	A1	10/2013	Sanocki et al.	
2015/0353383	A1	12/2015	Hirsch et al.	
2018/0194646	A1	7/2018	Camp	

FOREIGN PATENT DOCUMENTS

DE	860195	12/1952
DE	2020929	1/1972
DE	2364504	8/1974
DE	2608408	11/1976
DE	2531850	1/1977
DE	3207511	A1 9/1983
DE	3624414	1/1988
DE	4136852	5/1993
DE	4325114	11/1994
DE	M97016860001	8/1997
DE	69411911	2/1999
DE	20022322	7/2001
DE	10305632	11/2003
DE	202006002737	4/2006
EM	0003898380032	10/2005
EP	0676010	10/1995
EP	1221429	7/2002
EP	1626936	2/2006
FR	2636940	A1 3/1990
GB	525643	A 9/1940
GB	1296051	11/1972
GB	1404267	8/1975
GB	1441269	A 6/1976
GB	1543590	4/1979
JP	11090427	4/1999
JP	H1190427	4/1999
JP	2005138064	A 6/2005
NL	8204637	6/1984
WO	03064290	8/2003
WO	03064290	A1 8/2003
WO	2004110938	12/2004
WO	2010010574	1/2010
WO	2010081075	7/2010
WO	2013103765	A1 7/2013

OTHER PUBLICATIONS

Lustiges Taschenbuch No. 210 (front page, pp. 2, 3, 218, 219, 238, 239, 240, 241, published 1995).
 "Componenti Per Addolcitori/Water Softners Components," ITA/NIG-CAT-801, Dated Apr. 2009, 6 Pages.
 Walt Disney's Donald Duck No. 378 (Front page, p. 1; published 1987).
 Walt Disney's Donald Duck No. 379 (Front Page, p. 1 and p. 73; published 1987).

* cited by examiner

Primary Examiner — Robin V Webster
 (74) Attorney, Agent, or Firm — Cantor Colburn LLP

(57) CLAIM

The ornamental design for a water purification device, as shown and described.

DESCRIPTION

FIG. 1 is a top, front perspective view of the water purification device according to a first embodiment;
 FIG. 2 is a front view of the water purification device of FIG. 1;
 FIG. 3 is a first side view of the water purification device of FIG. 1;
 FIG. 4 is a rear view of the water purification device of FIG. 1;
 FIG. 5 is a second side view of the water purification device of FIG. 1;
 FIG. 6 is a top view of the water purification device of FIG. 1;

FIG. 7 is a bottom view of the water purification device of FIG. 1;

FIG. 8 is a top, rear perspective view of the water purification device of FIG. 1;

FIG. 9 is a top, front perspective view of the water purification device according to a second embodiment;

FIG. 10 is a front view of the water purification device of FIG. 9;

FIG. 11 is a first side view of the water purification device of FIG. 9;

FIG. 12 is a rear view of the water purification device of FIG. 9;

FIG. 13 is a second side view of the water purification device of FIG. 9;

FIG. 14 is a top view of the water purification device of FIG. 9;

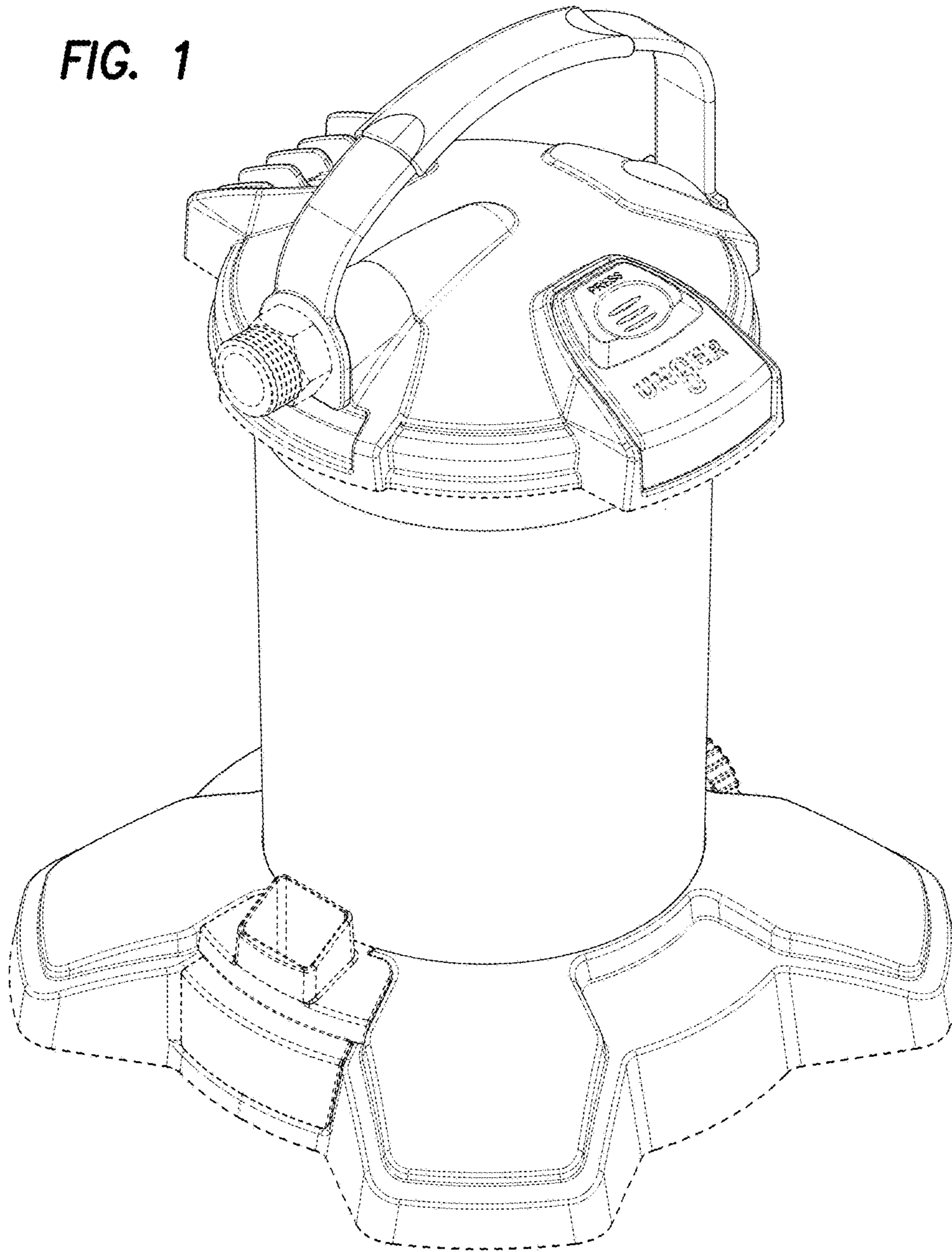
FIG. 15 is a bottom view of the water purification device of FIG. 9; and,

FIG. 16 is a top, rear perspective view of the water purification device of FIG. 9.

The broken line showing of portions of the water purification device is included for the purpose of illustrating and forms no part of the claimed design.

1 Claim, 16 Drawing Sheets

FIG. 1



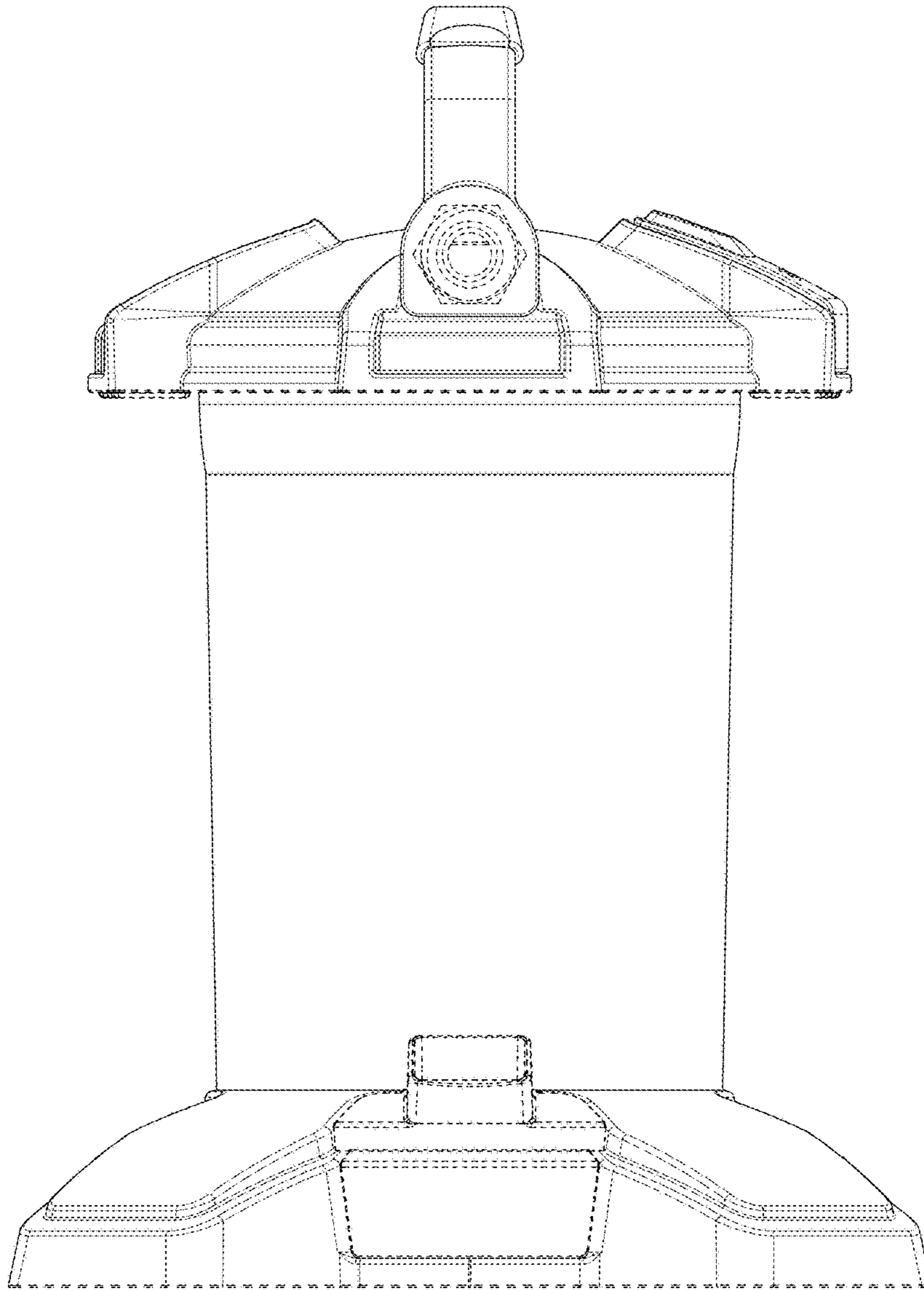


FIG. 2

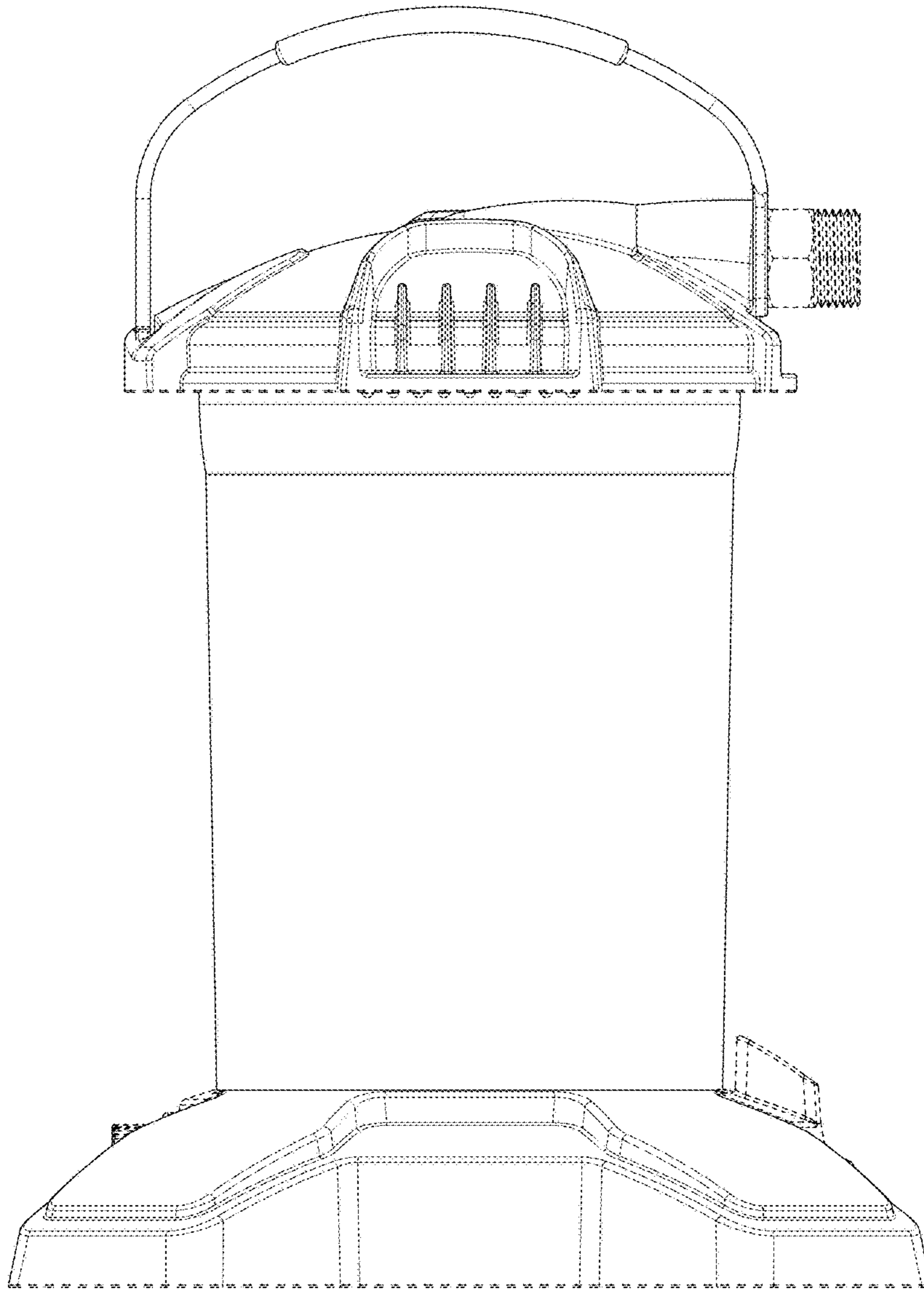


FIG. 3

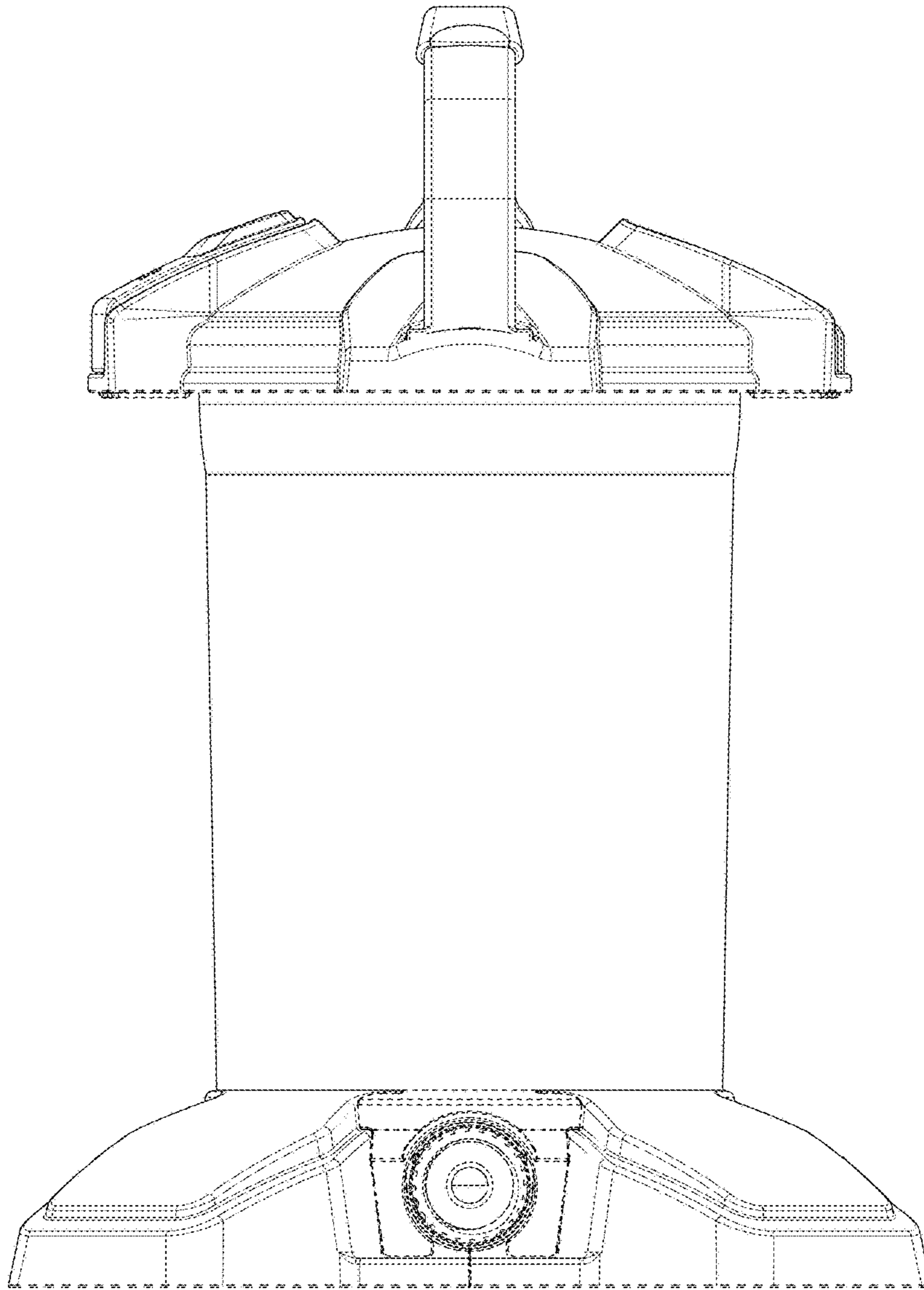


FIG. 4

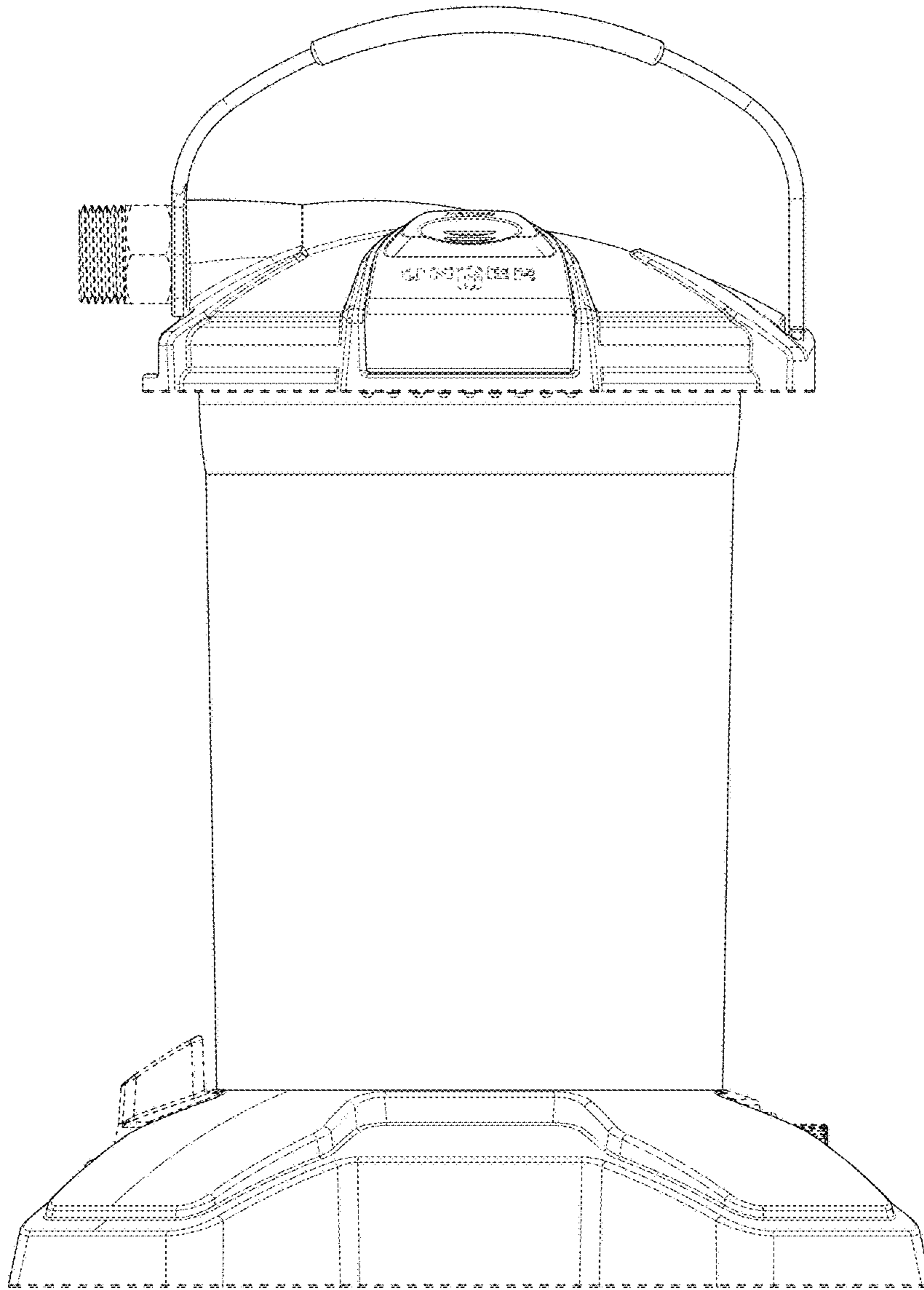


FIG. 5

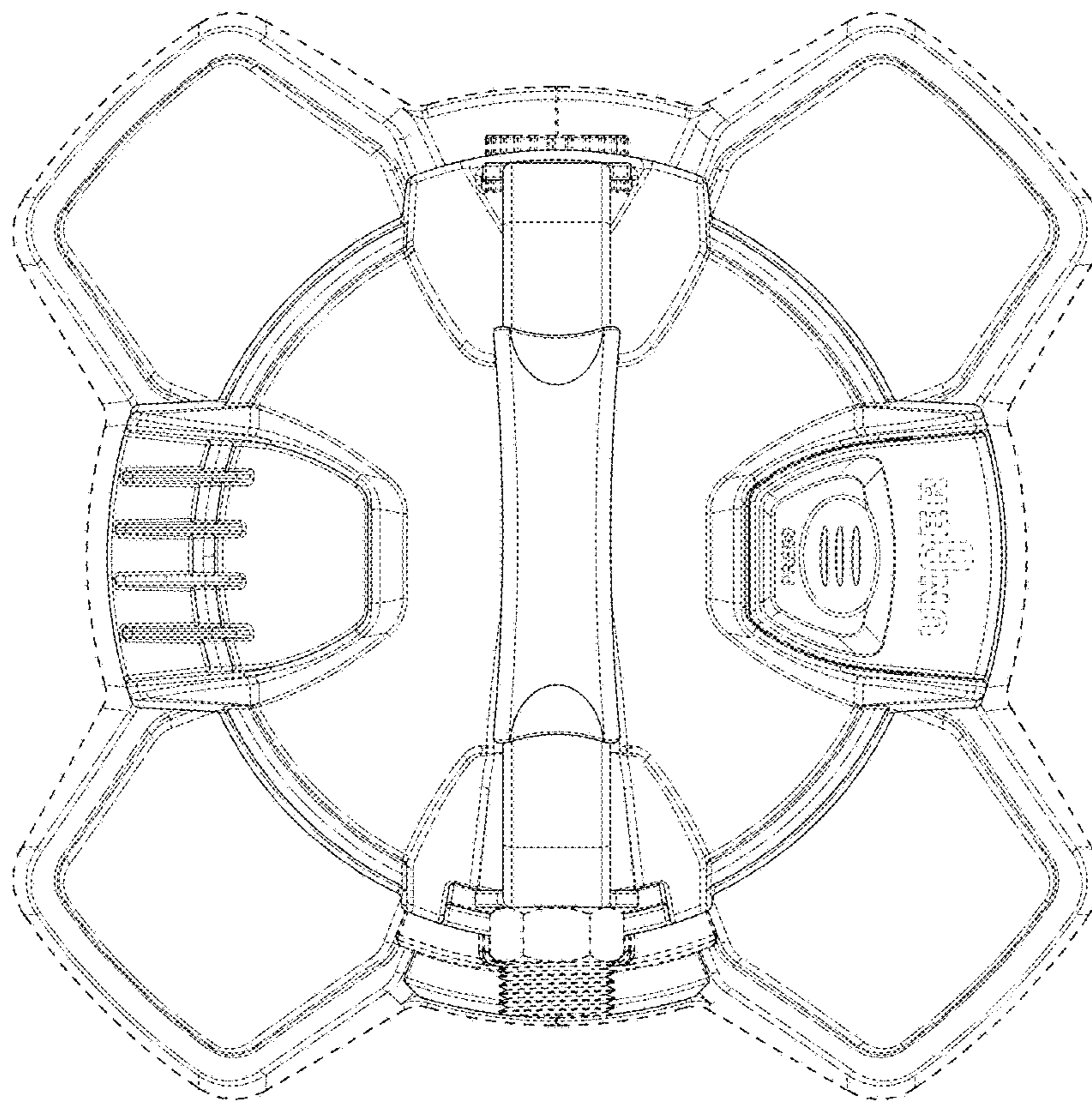


FIG. 6

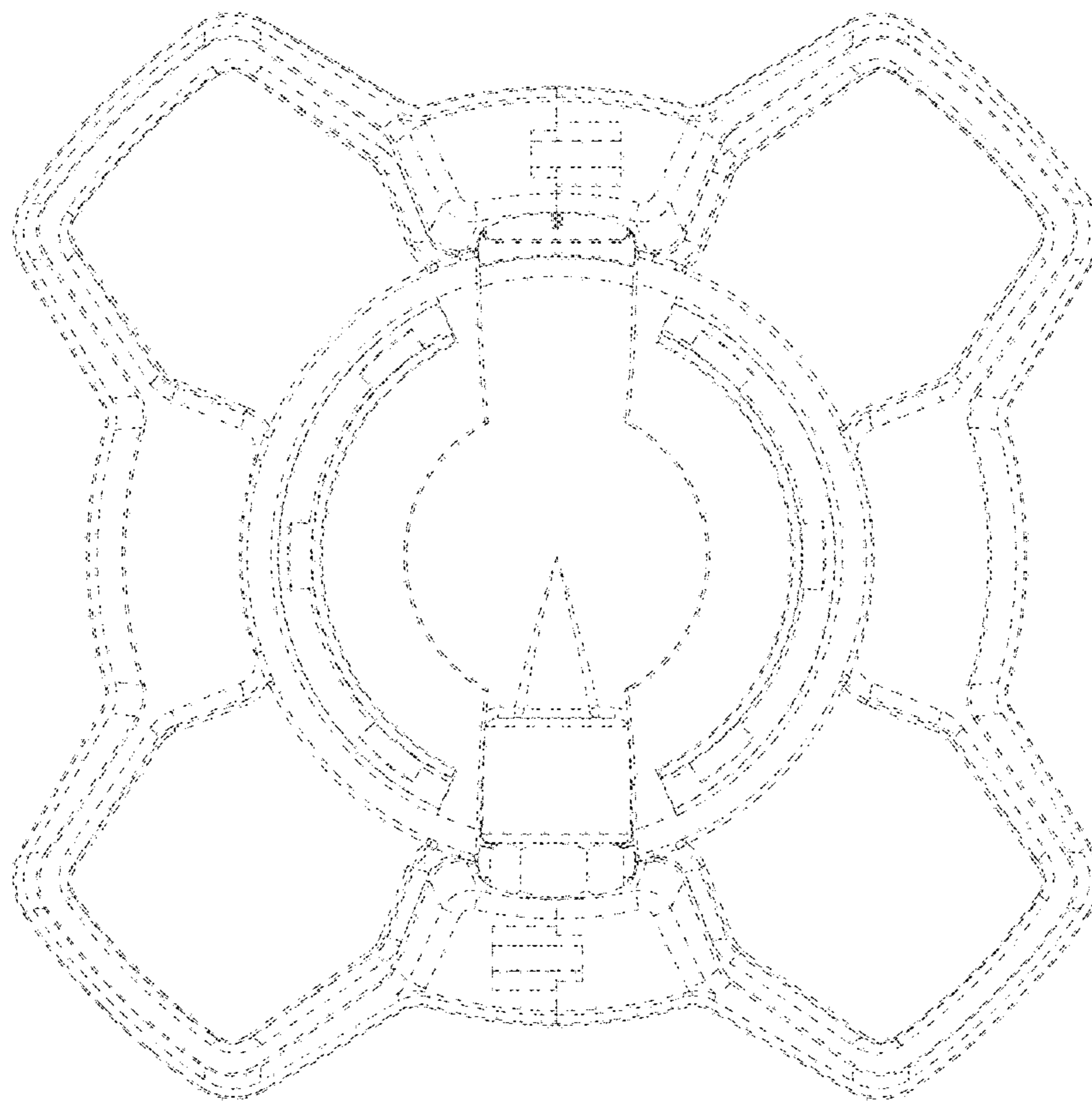


FIG. 7

FIG. 8

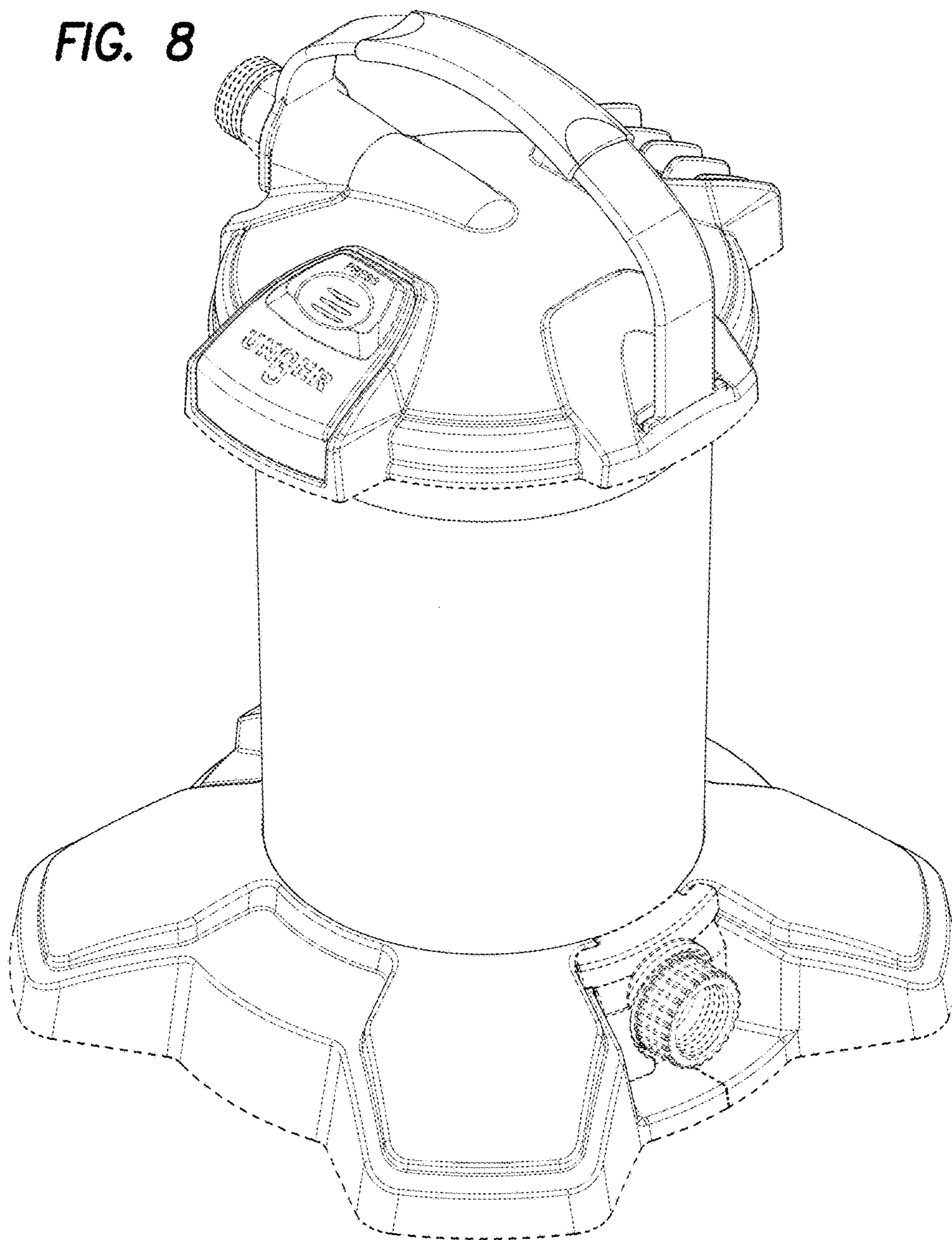
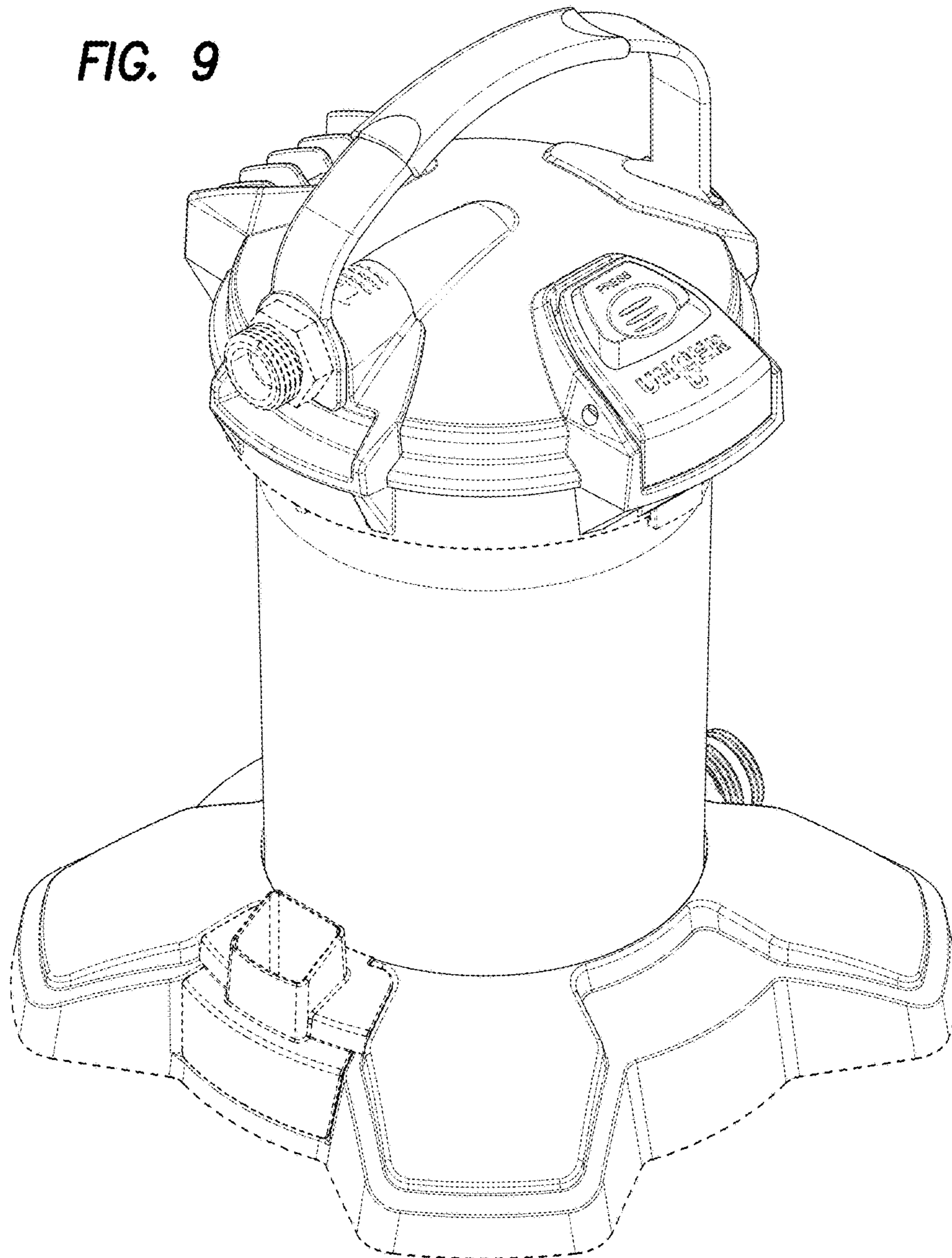


FIG. 9



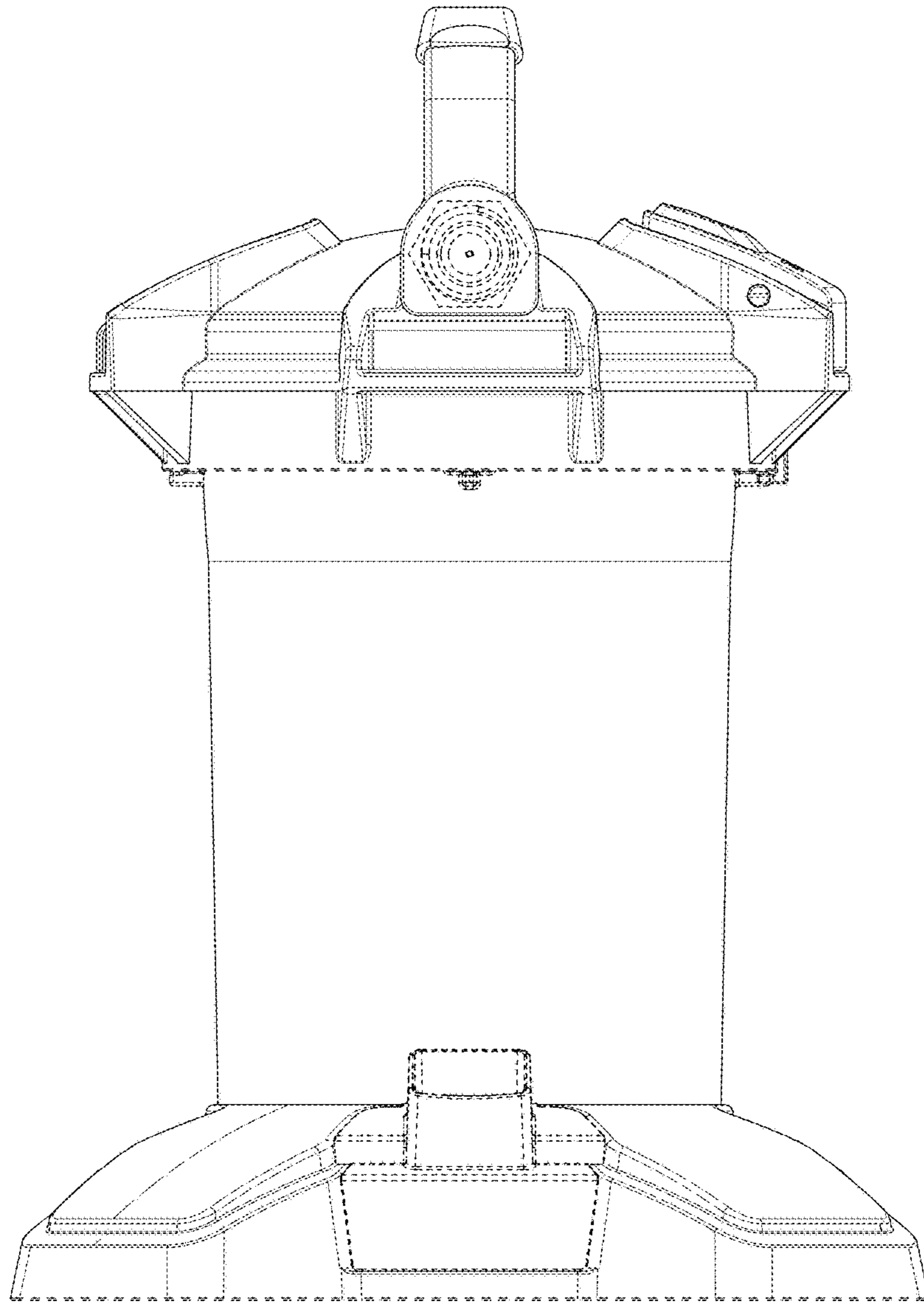


FIG. 10

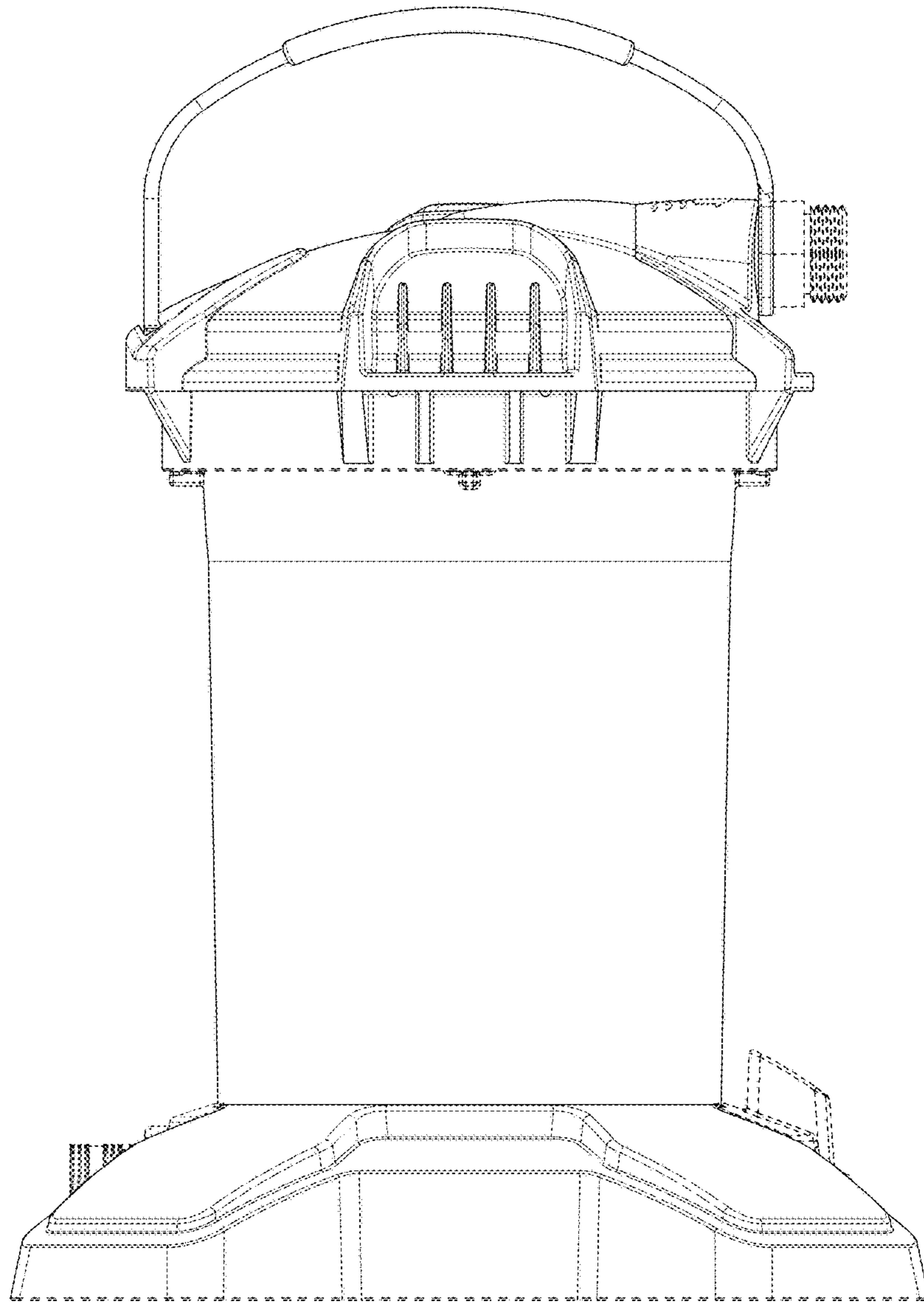


FIG. 11

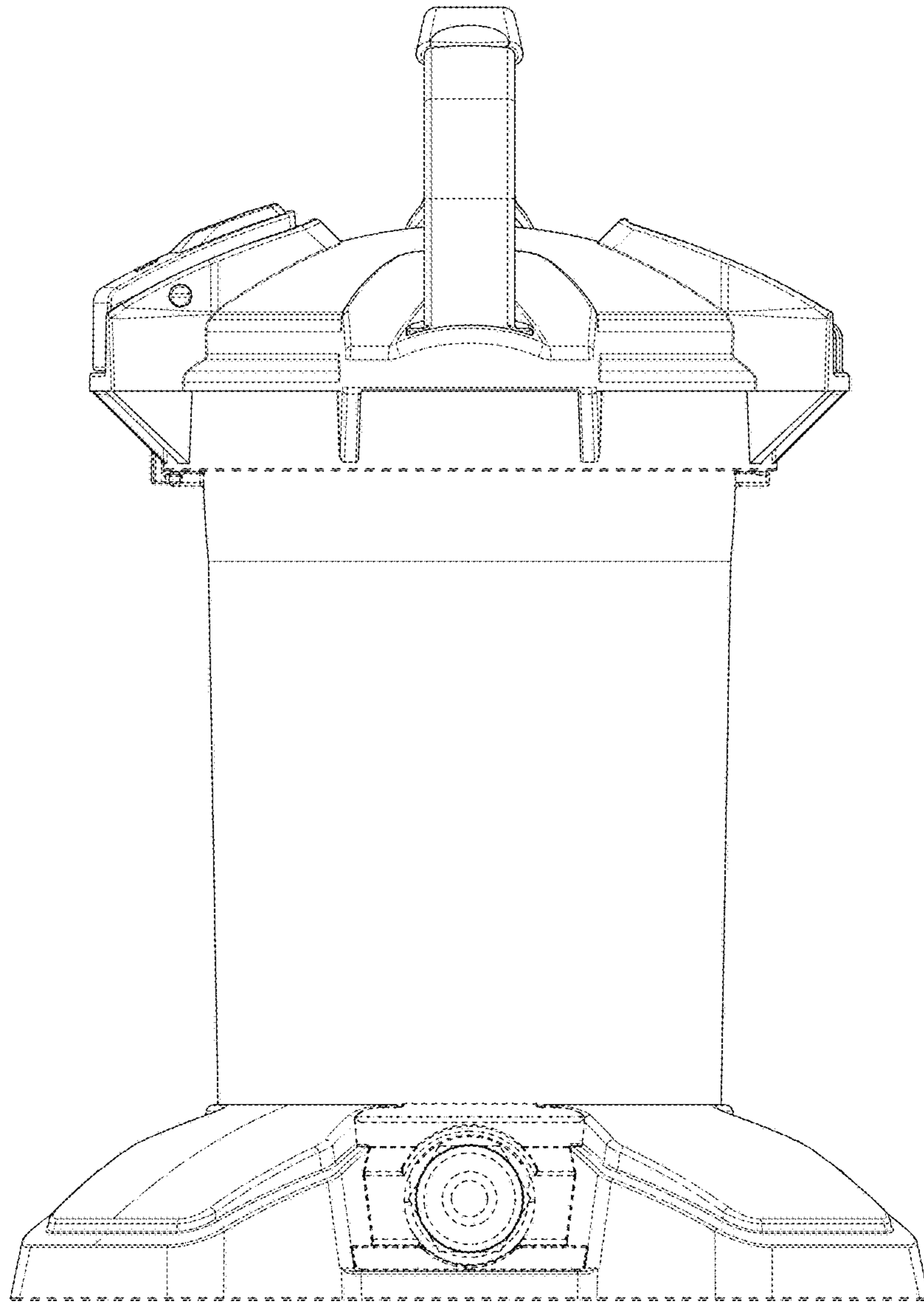


FIG. 12

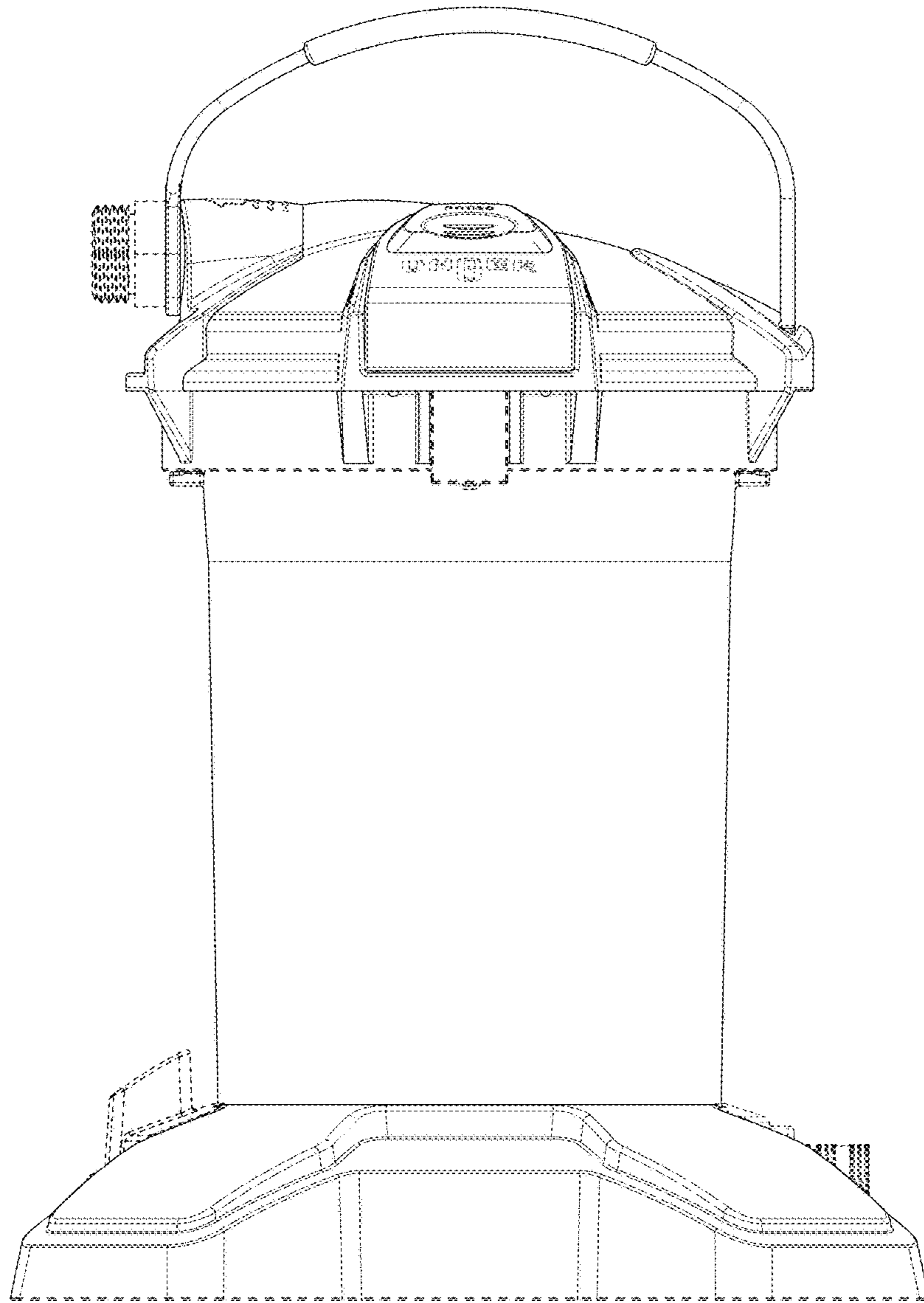


FIG. 13

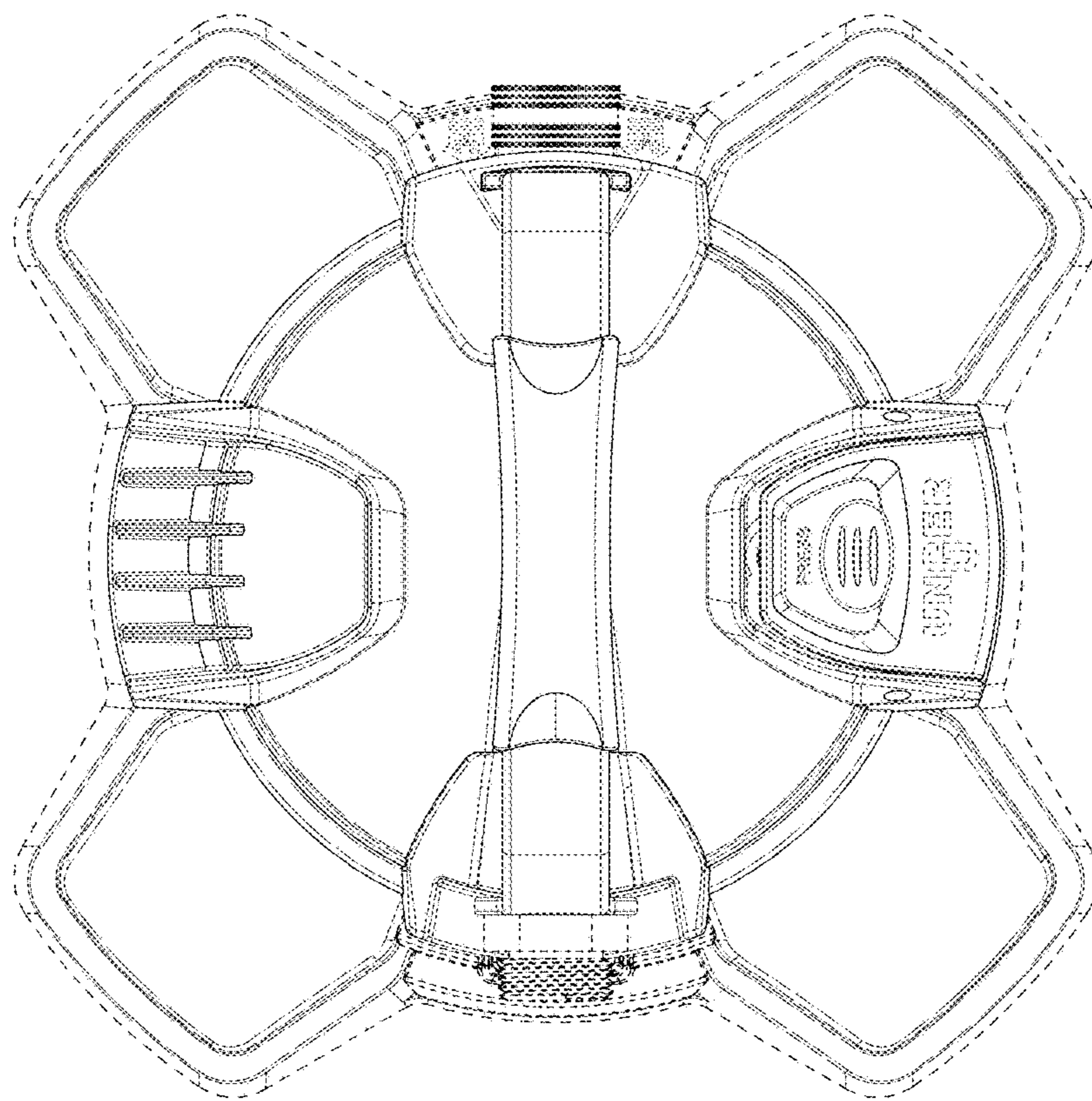


FIG. 14

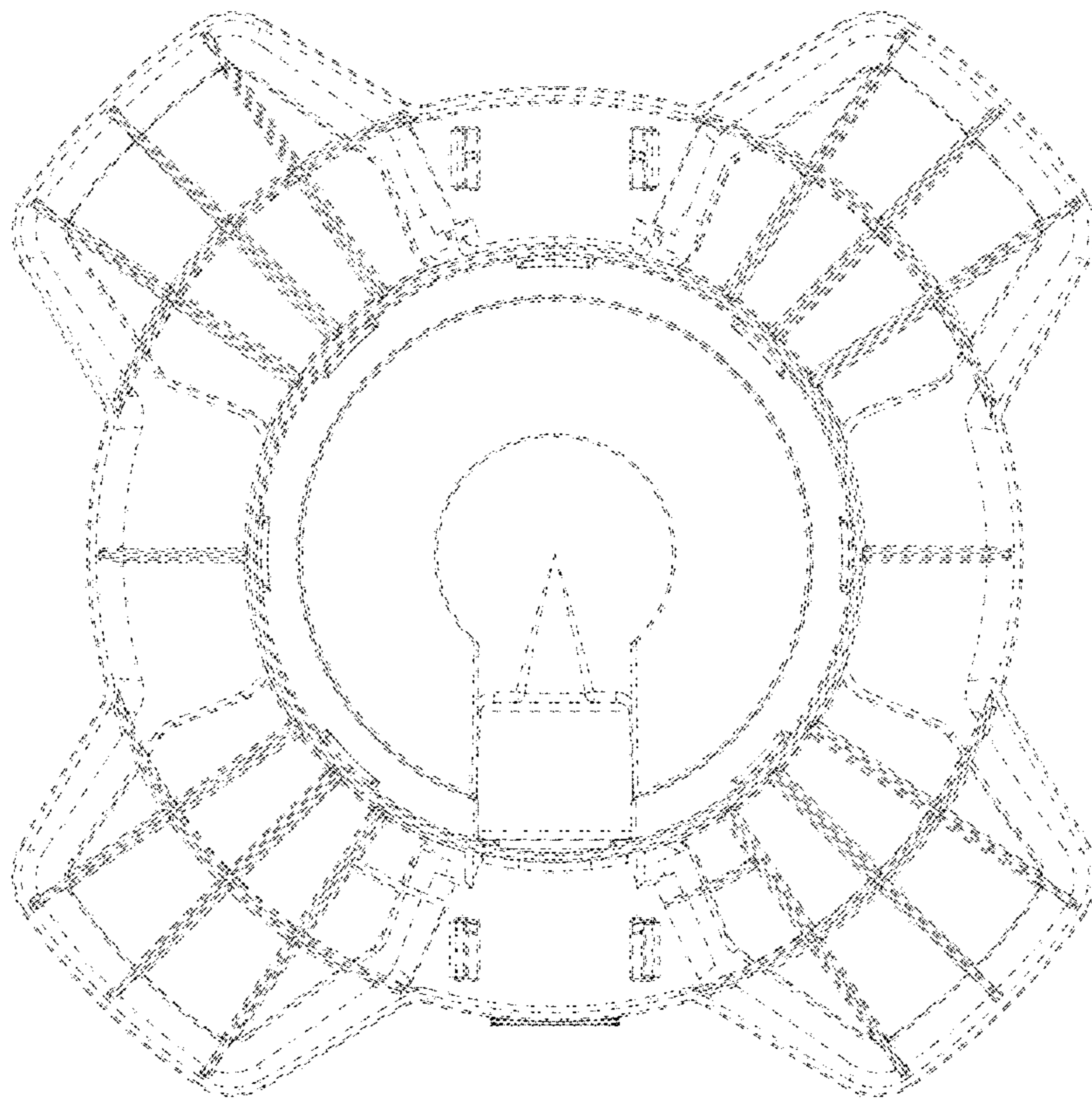


FIG. 15

FIG. 16

