



US00D849883S

(12) **United States Design Patent** (10) **Patent No.:** **US D849,883 S**
Shany et al. (45) **Date of Patent:** **** May 28, 2019**

(54) **CONTAINMENT BOOM CONNECTOR**

(71) Applicant: **HARBO Technologies Ltd.**, Tel-Aviv (IL)

(72) Inventors: **Arnon Shany**, Moshav Neve Yarak (IL); **Boaz Ur**, Tel-Aviv (IL); **Haim Greenberg**, Ramat-Gan (IL)

(73) Assignee: **HARBO Technologies Ltd.**, Tel-Aviv (IL)

(**) Term: **15 Years**

(21) Appl. No.: **29/624,594**

(22) Filed: **Nov. 2, 2017**

(51) **LOC (11) Cl.** **23-01**

(52) **U.S. Cl.**
USPC **D23/200**

(58) **Field of Classification Search**
USPC D23/200, 206, 207, 209
CPC E02B 15/00; E02B 15/06; E02B 15/0871;
E02B 15/08; E02B 15/085; E02B
15/0864

See application file for complete search history.

(56) **References Cited**

U.S. PATENT DOCUMENTS

4,155,664 A * 5/1979 Acheson E02B 15/08
403/317
4,367,979 A * 1/1983 Milligan E02B 15/08
405/70

(Continued)

OTHER PUBLICATIONS

Office Action dated Jun. 28, 2018 From the Norwegian Industrial Property Office Re. Application No. 20180421. (3 Pages).

(Continued)

Primary Examiner — Robin V Webster

(57) **CLAIM**

The ornamental design for a containment boom connector, as shown and described.

DESCRIPTION

FIG. 1 is a top view of a containment boom connector comprised of two identical parts in a connected position, showing our new design;

FIG. 2 is a bottom view of FIG. 1;

FIG. 3 is a left side view of FIG. 1, a right side view being a mirror image;

FIG. 4 is a front view of FIG. 1;

FIG. 5 is a rear view of FIG. 1;

FIG. 6 is a perspective view of FIG. 1;

FIG. 7 is a bottom view of a single part of a containment boom connector in an assembled configuration, the other part being a mirror image;

FIG. 8 is a top view of FIG. 7;

FIG. 9 is a left side view of FIG. 7, a right side view being a mirror image;

FIG. 10 is a rear view of FIG. 7;

FIG. 11 is a front view of FIG. 7;

FIG. 12 is a perspective view of FIG. 7;

FIG. 13 is a top view of a single part of the containment boom connector in an exploded configuration, the other part being a mirror image;

FIG. 14 is a bottom view of FIG. 13;

FIG. 15 is a left side view of FIG. 13, a right side view being a mirror image;

FIG. 16 is a front view of FIG. 13;

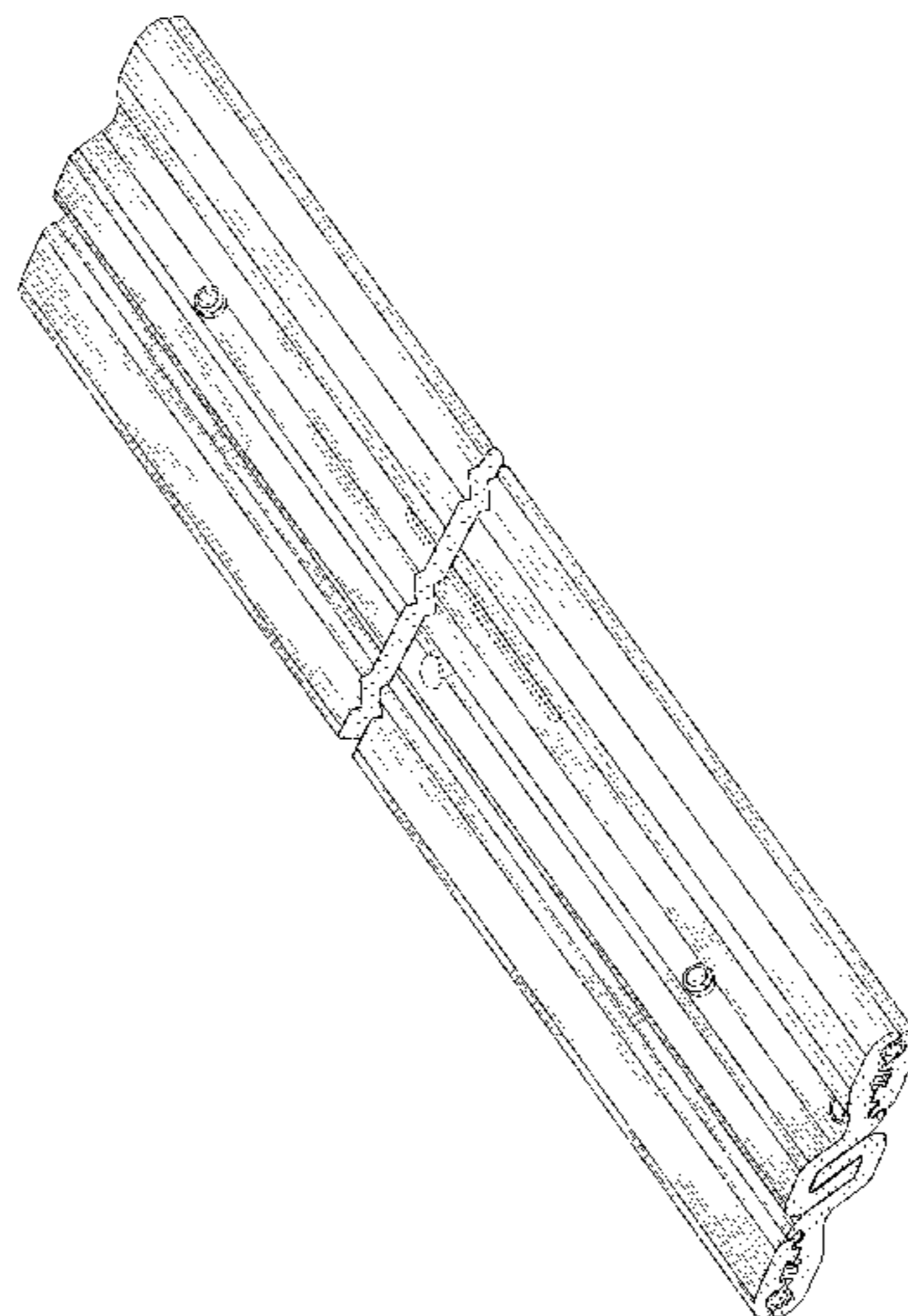
FIG. 17 is a rear view of FIG. 13; and,

FIG. 18 is a perspective view of FIG. 13.

The claimed design is shown in solid lines in the drawings. The portions of the drawings shown in broken lines form no part of the claimed design.

The break lines that separate the parts of the product merchandiser and the portion within the break lines represent indeterminate length and form no part of the claimed design.

1 Claim, 18 Drawing Sheets



(56)

References Cited

U.S. PATENT DOCUMENTS

6,739,801 B2 * 5/2004 Dreyer E02B 15/06
405/63
8,348,549 B2 * 1/2013 Stiles E02B 15/06
405/60
8,721,220 B2 * 5/2014 Fore, III E02B 15/06
405/60

OTHER PUBLICATIONS

Formalities Notice dated May 22, 2018 from the Australian Government IP Australia Re. Design Application No. 201812466. (3 pages).

* cited by examiner

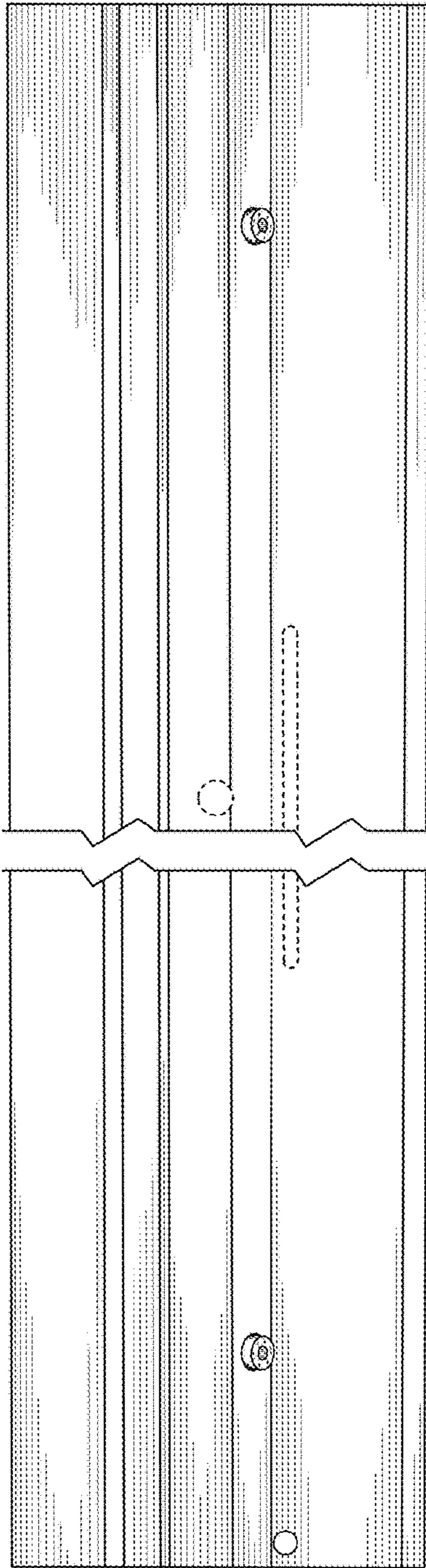


FIG. 1

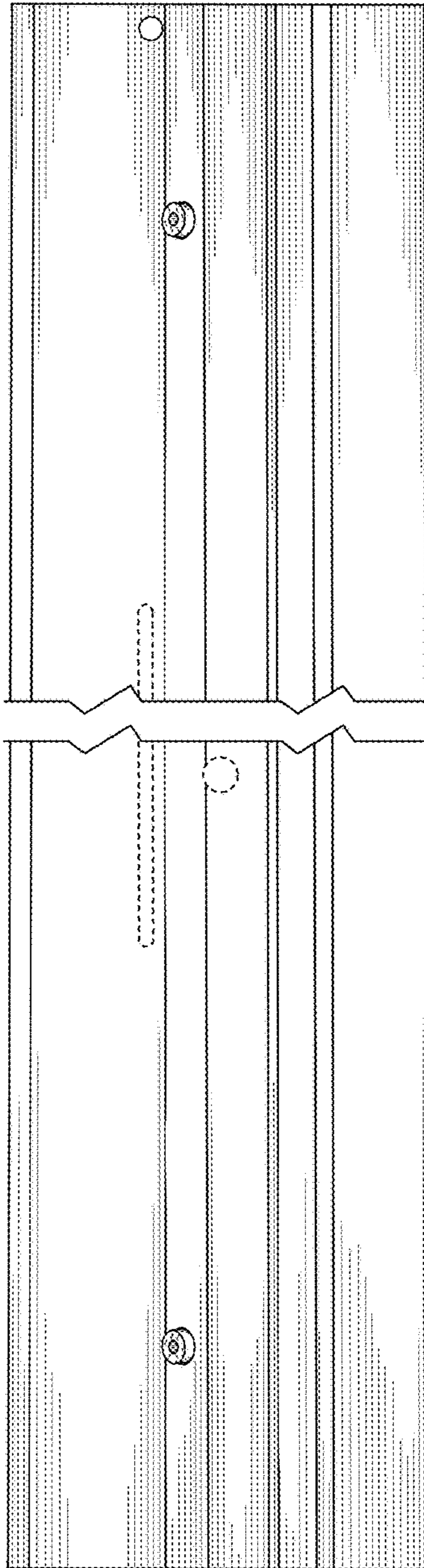


FIG. 2

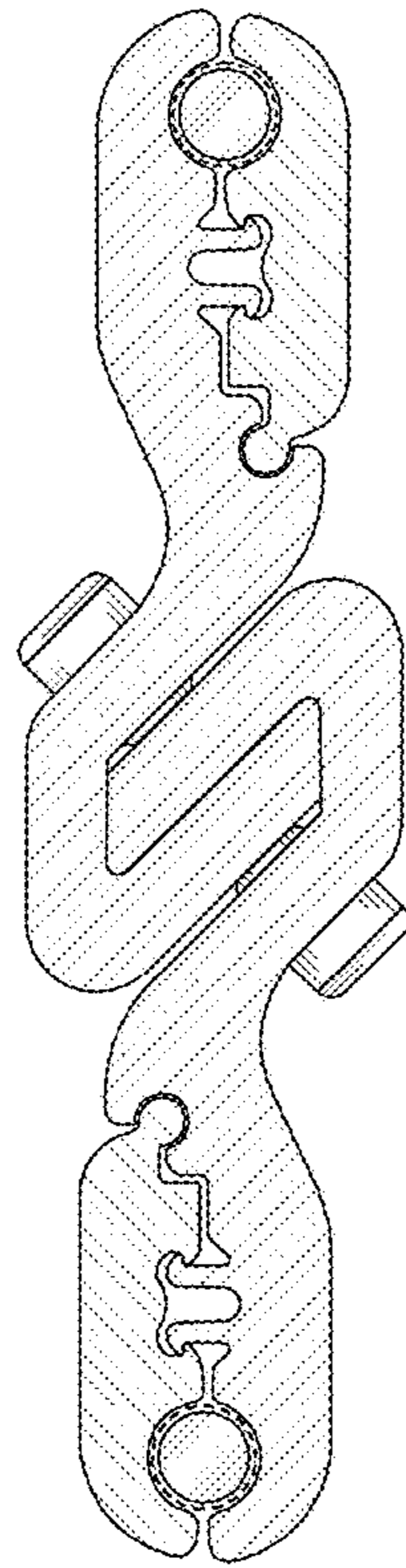


FIG. 3



FIG. 4

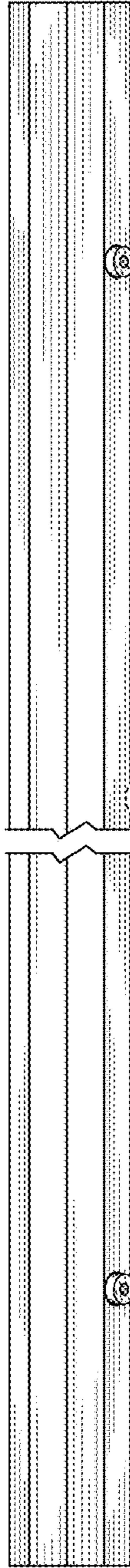


FIG. 5

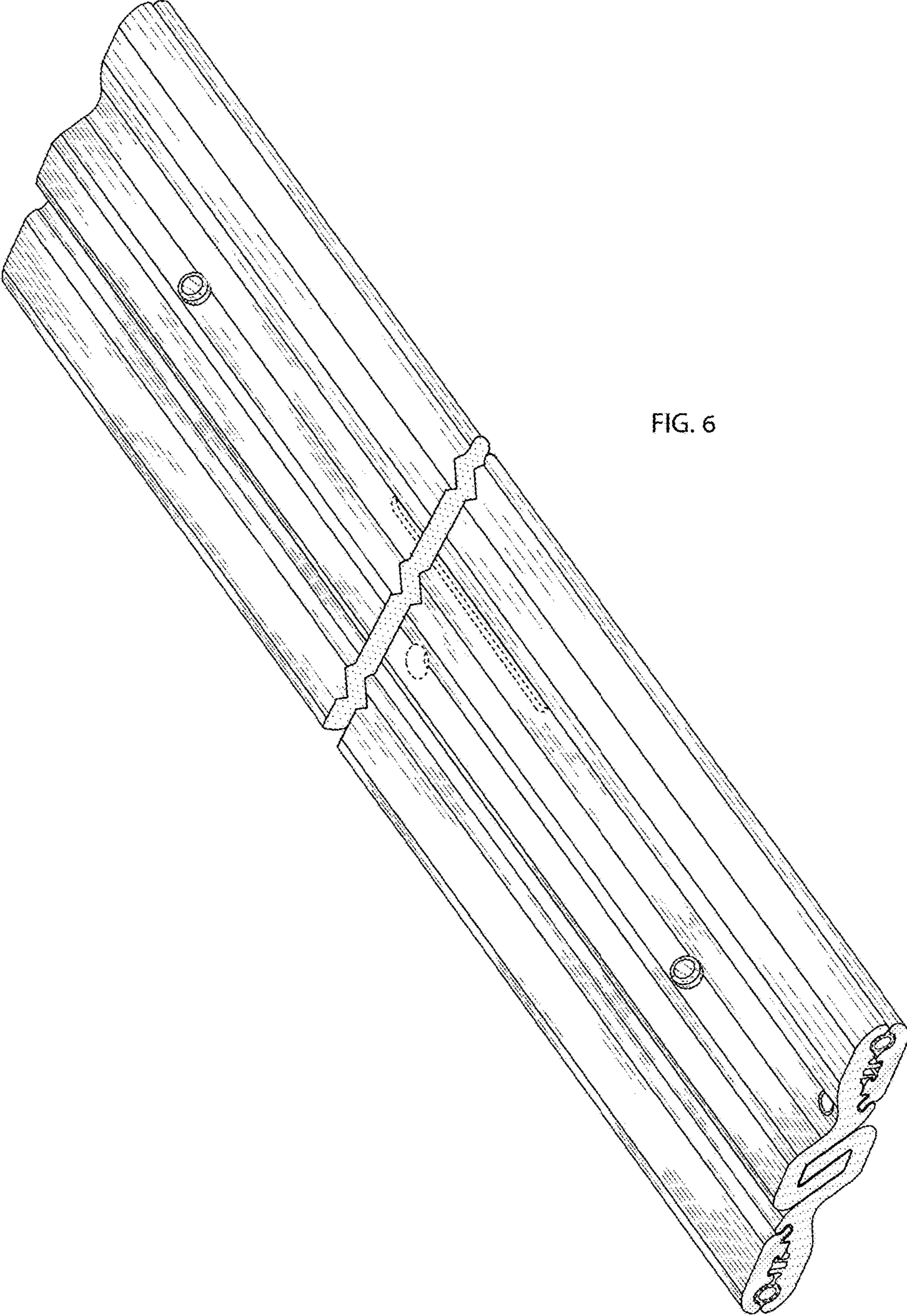


FIG. 6

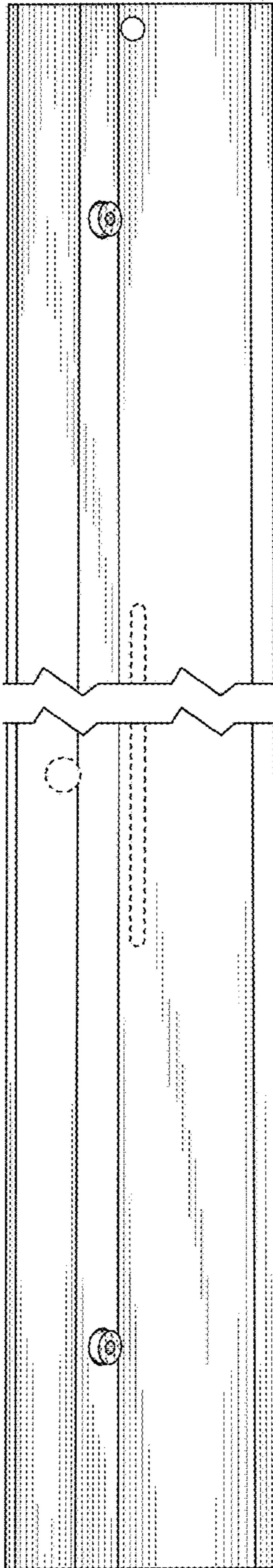


FIG. 7

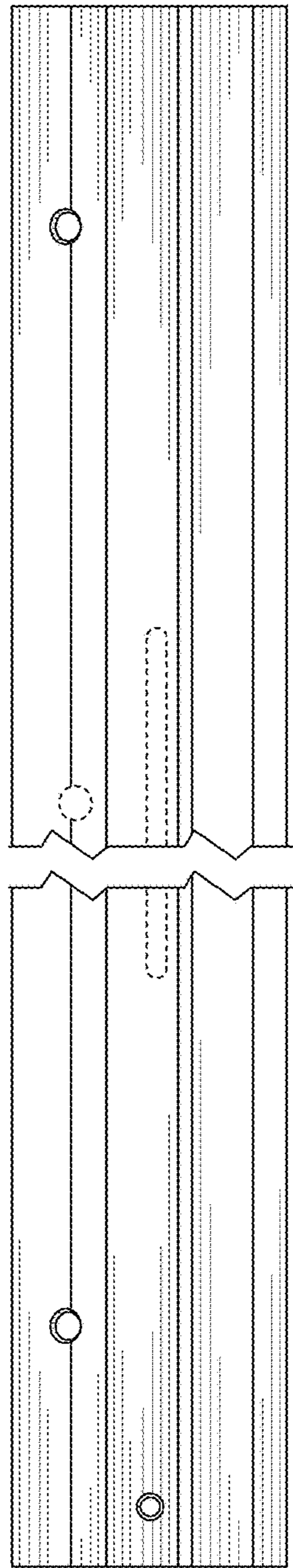


FIG. 8

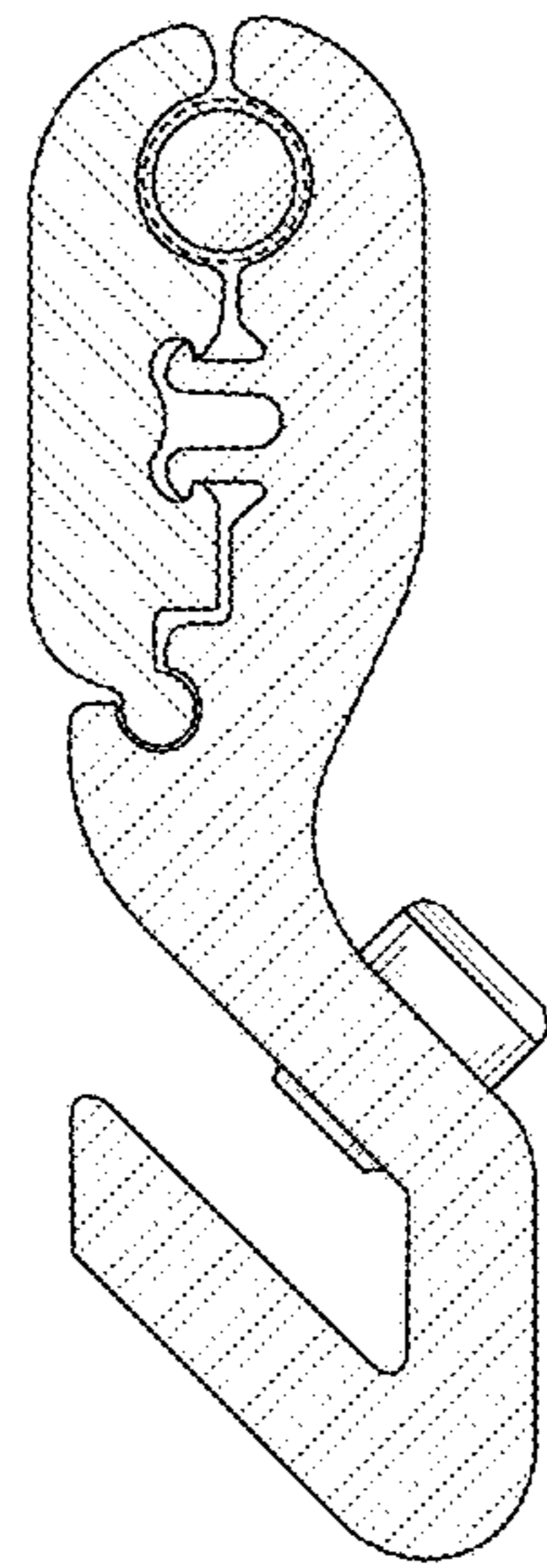


FIG. 9



FIG. 10



FIG. 11

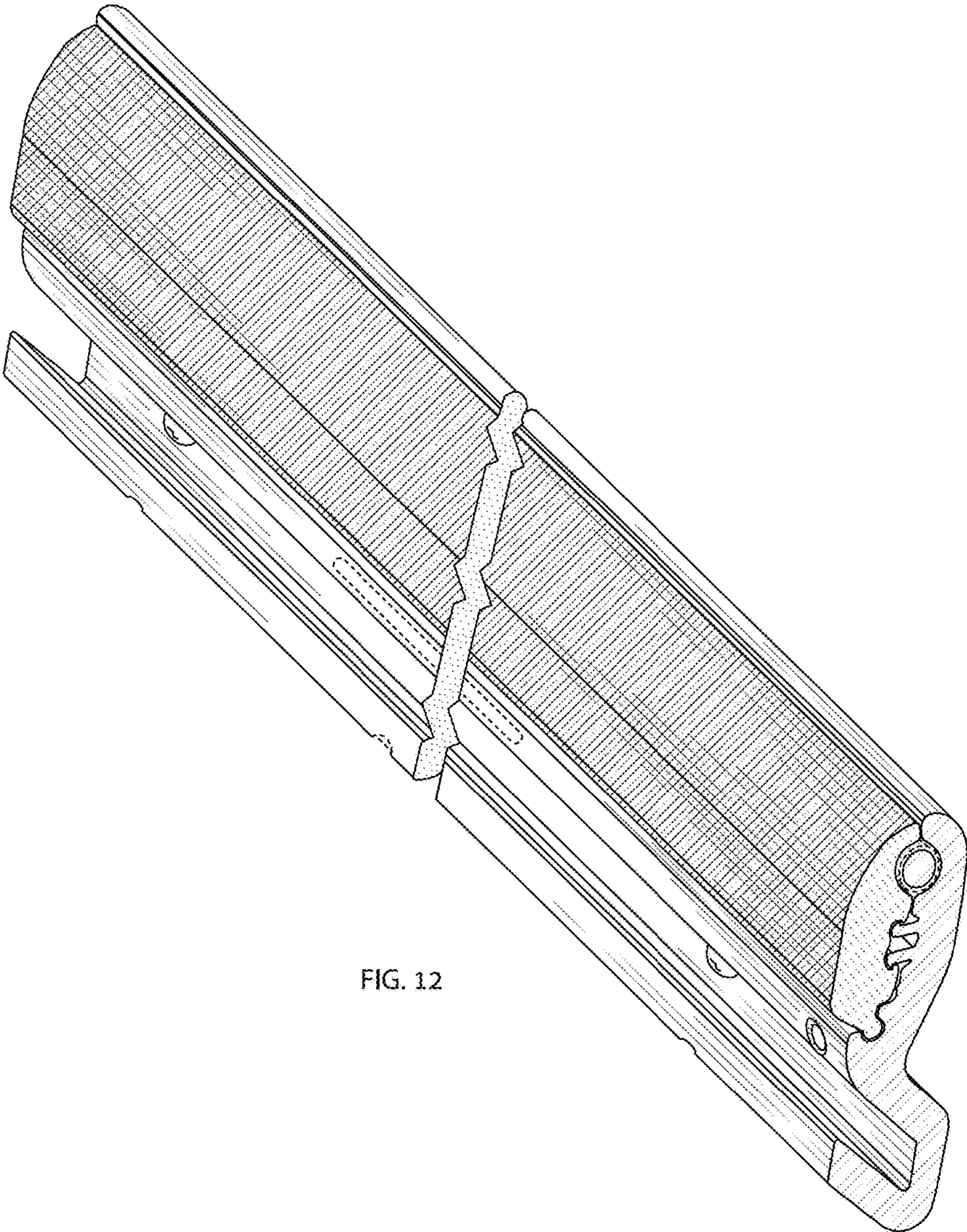


FIG. 12

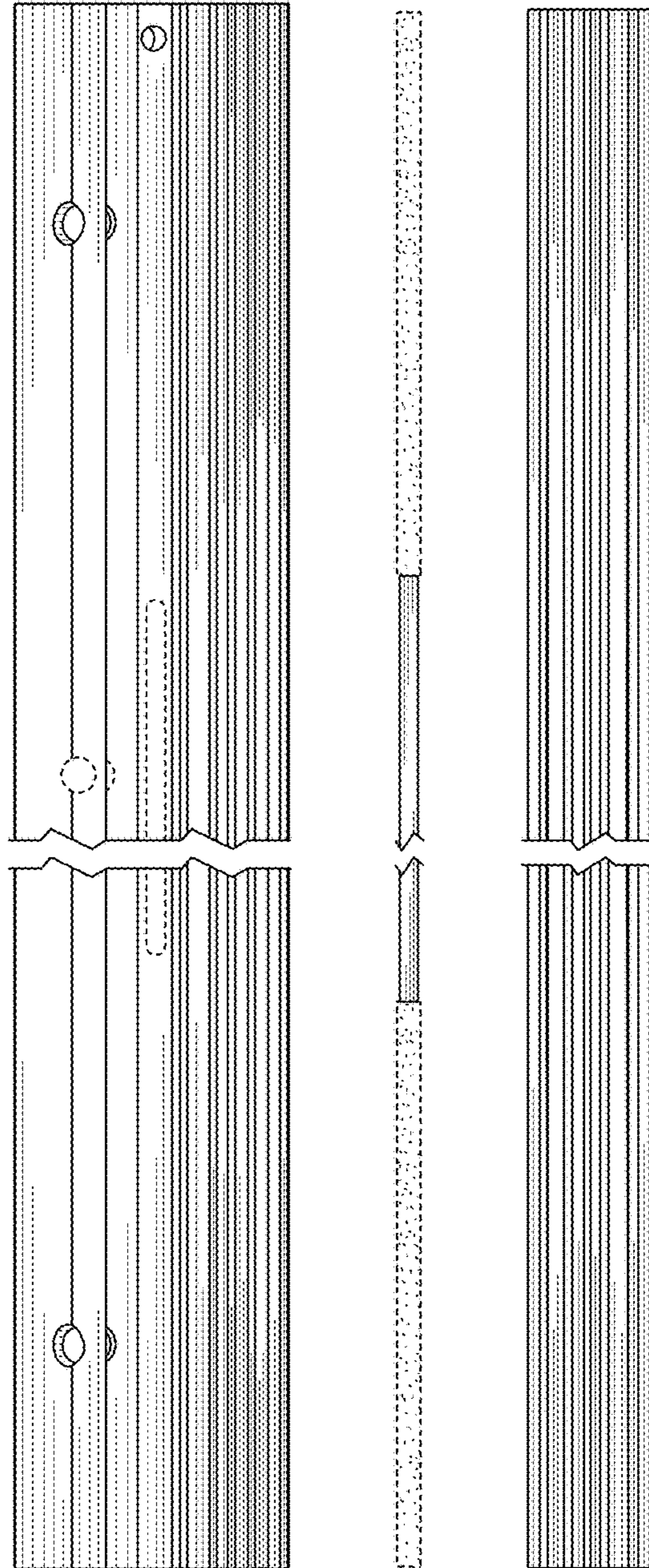


FIG. 13

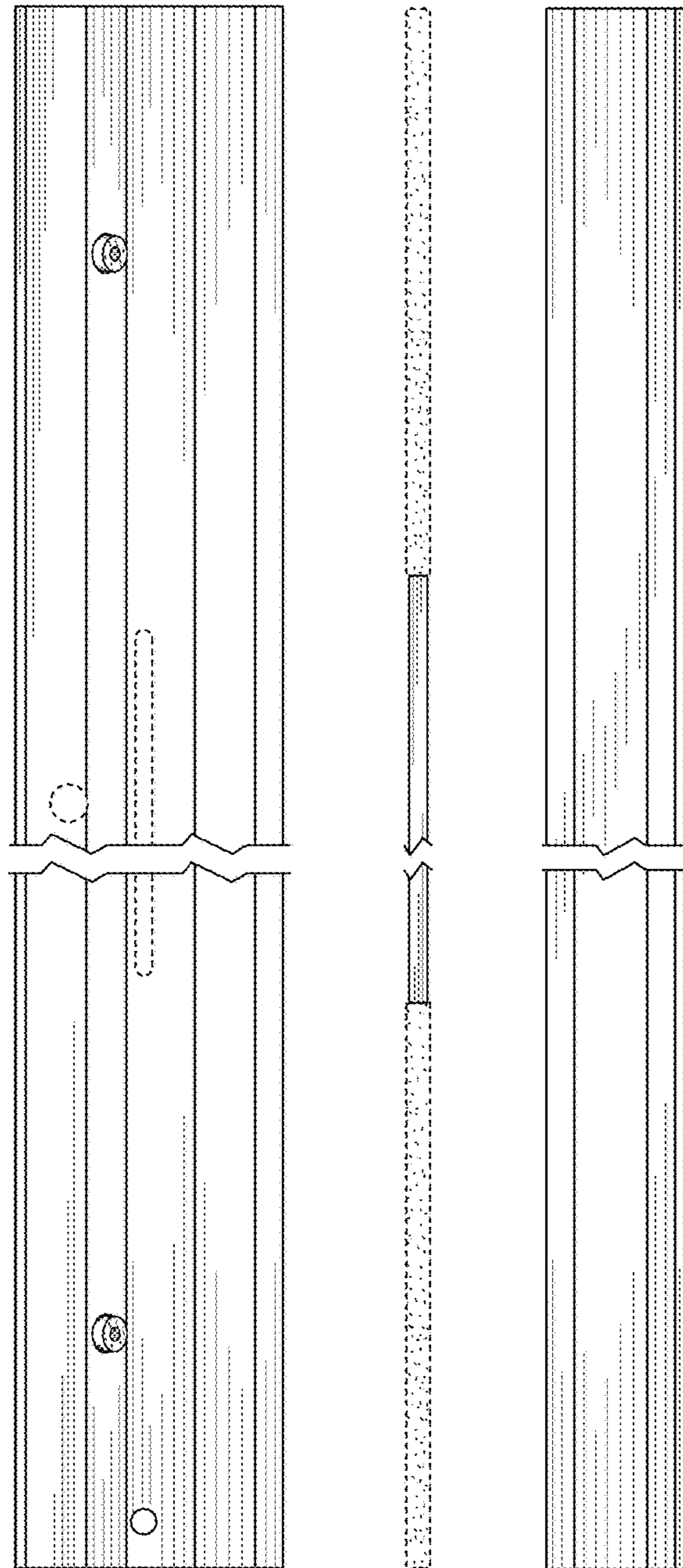


FIG. 14

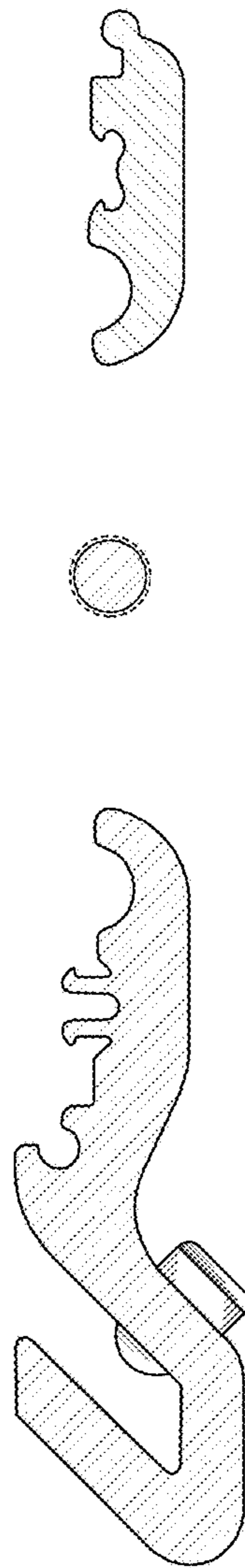


FIG. 15

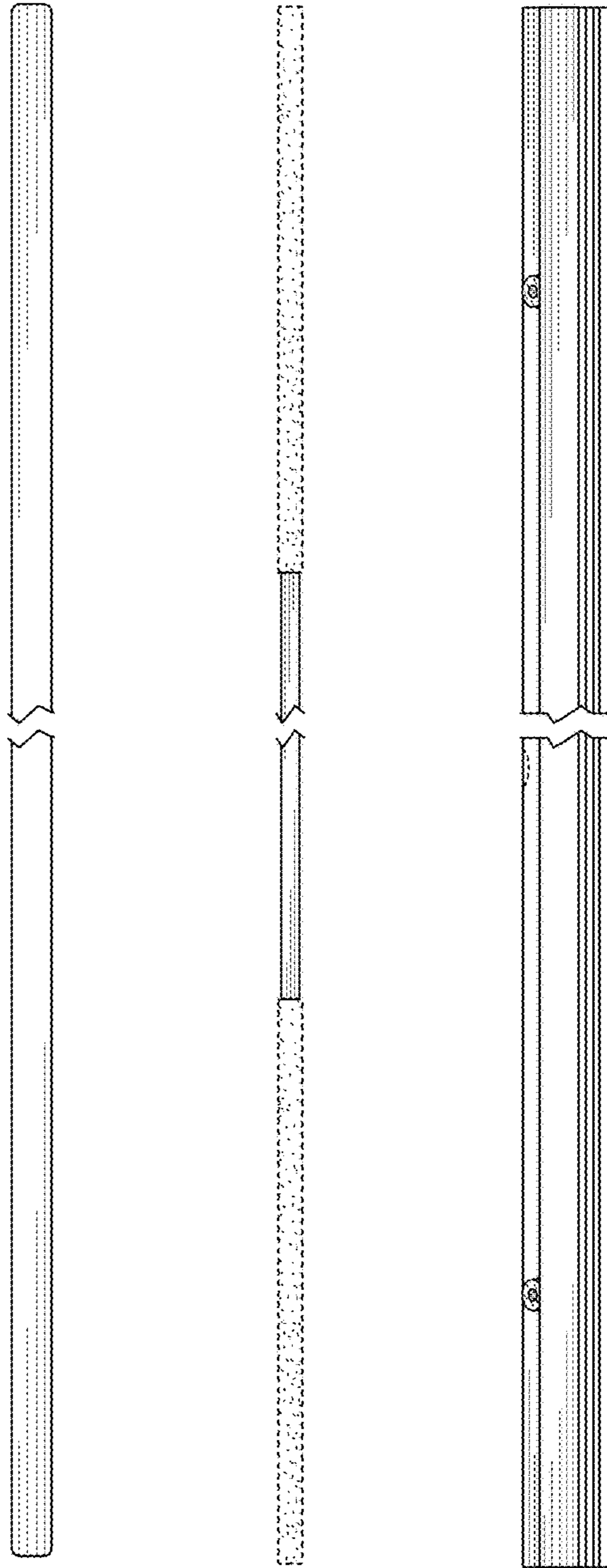


FIG. 16

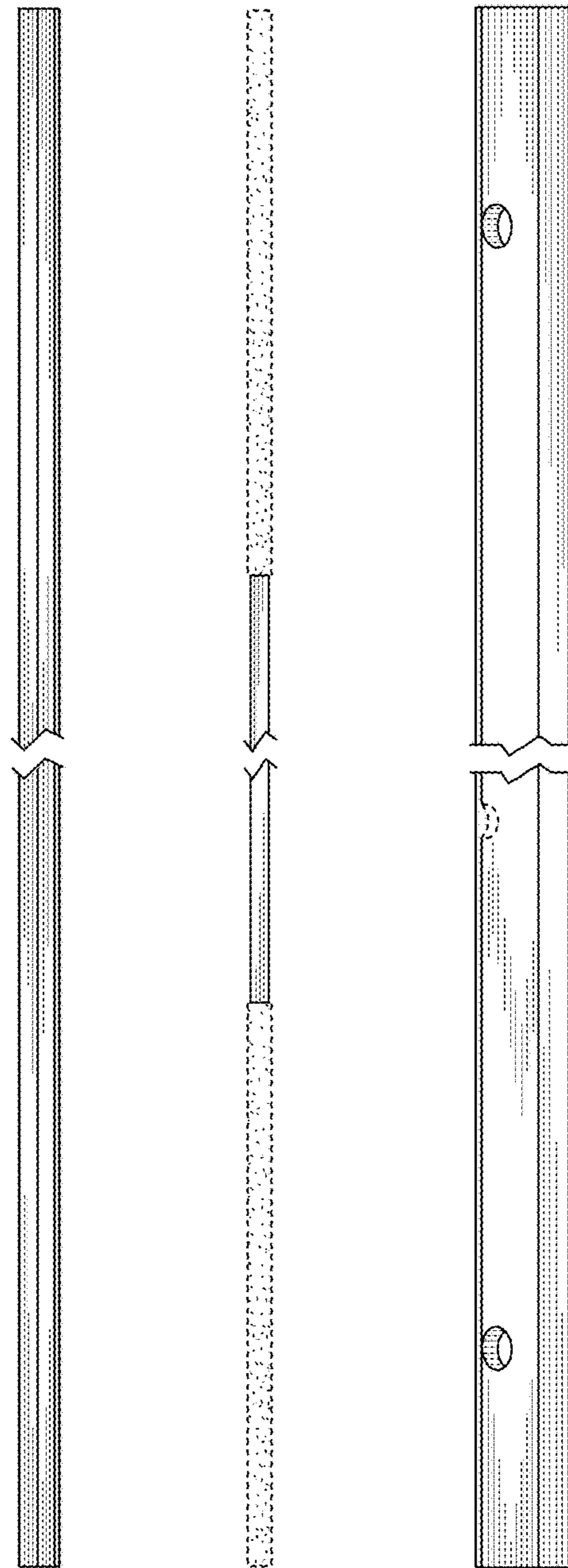


FIG. 17

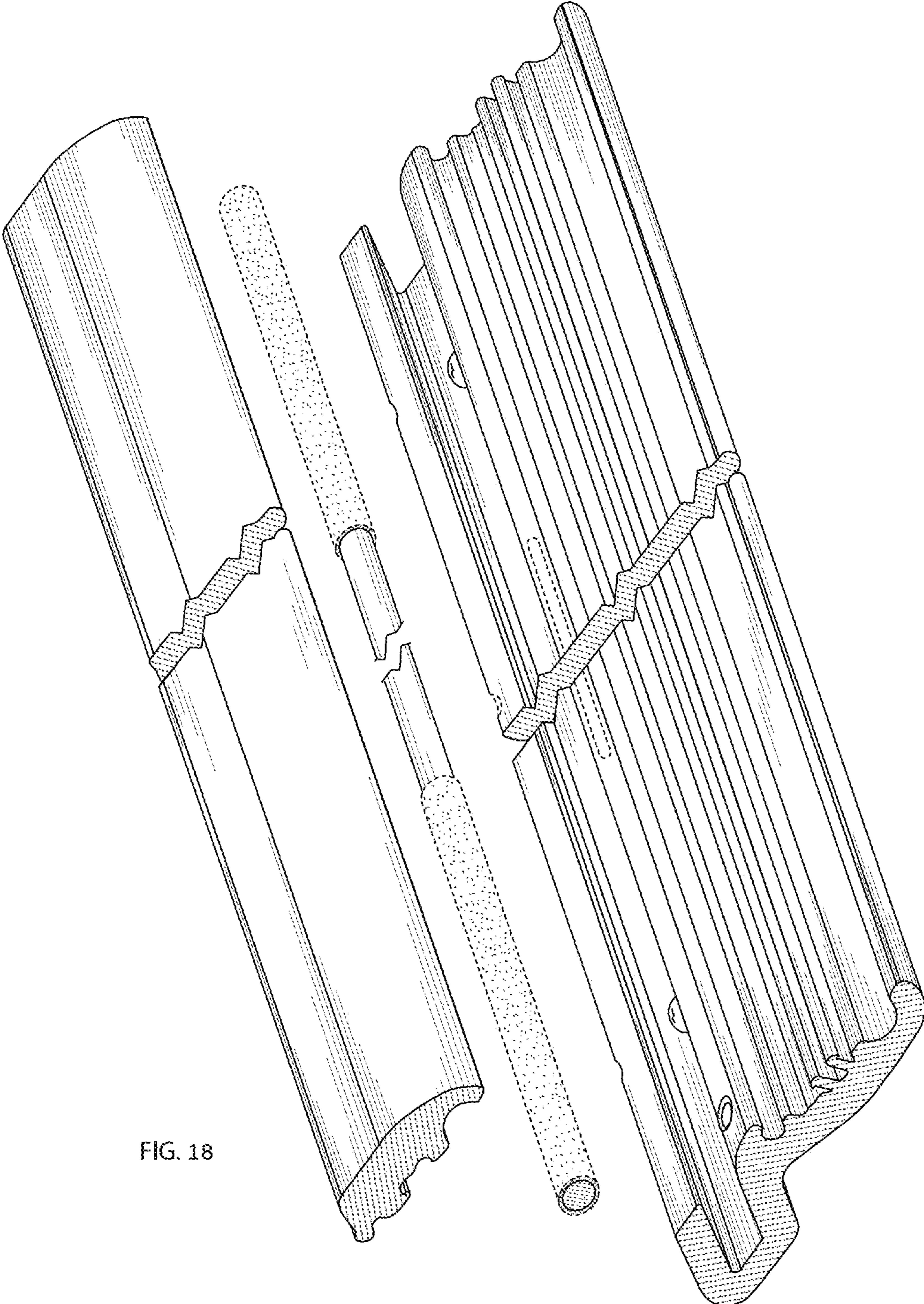


FIG. 18