



US00D849882S

(12) **United States Design Patent**
Simpson

(10) **Patent No.:** **US D849,882 S**

(45) **Date of Patent:** **** May 28, 2019**

(54) **FISH HOOK EXTRACTOR**

(71) Applicant: **Hans-son Simpson**, Ft. Worth, TX (US)

(72) Inventor: **Hans-son Simpson**, Ft. Worth, TX (US)

(**) Term: **15 Years**

(21) Appl. No.: **29/636,387**

(22) Filed: **Feb. 8, 2018**

(51) **LOC (11) Cl.** **22-05**

(52) **U.S. Cl.**
USPC **D22/149**

(58) **Field of Classification Search**
USPC D22/134–150; 43/17.2, 53.5
CPC A01K 97/18
See application file for complete search history.

(56) **References Cited**

U.S. PATENT DOCUMENTS

- D197,775 S 3/1964 Edington
- 3,706,154 A 12/1972 Luebbers et al.
- D310,554 S 9/1990 Smith
- D387,846 S * 12/1997 Brain D22/149

- D407,461 S * 3/1999 Creel D22/149
- D451,167 S 11/2001 Metteer
- D456,484 S * 4/2002 D'Antico D22/149
- 6,397,513 B1 6/2002 Reed
- 6,453,601 B1 9/2002 Duncan
- D518,869 S * 4/2006 Thomley D22/149
- 7,434,350 B1 10/2008 Gomez, Sr. et al.
- D680,615 S * 4/2013 Cornelious D22/149
- D834,142 S * 11/2018 Constantine D22/149

* cited by examiner

Primary Examiner — Catherine R Oliver-Garcia

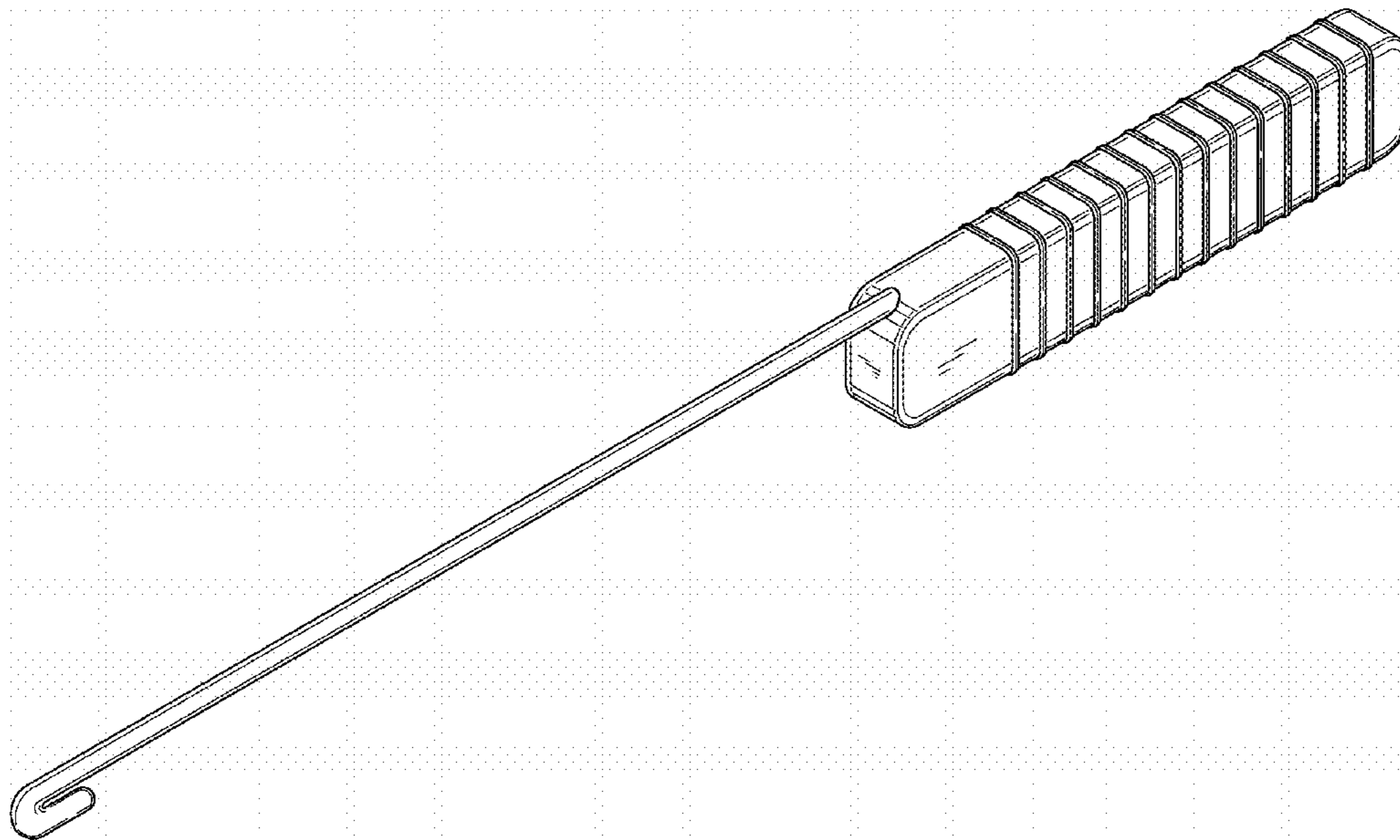
(57) **CLAIM**

The ornamental design for a fish hook extractor, as shown and described.

DESCRIPTION

FIG. 1 is a front view of a fish hook extractor showing my new design, a rear view being a mirror image thereof; FIG. 2 is a left side view of the fish hook extractor; FIG. 3 is a right side view of the fish hook extractor; FIG. 4 is a top view of the fish hook extractor; FIG. 5 is a bottom view of the fish hook extractor; and, FIG. 6 is a top, rear and side perspective view of the fish hook extractor.

1 Claim, 2 Drawing Sheets



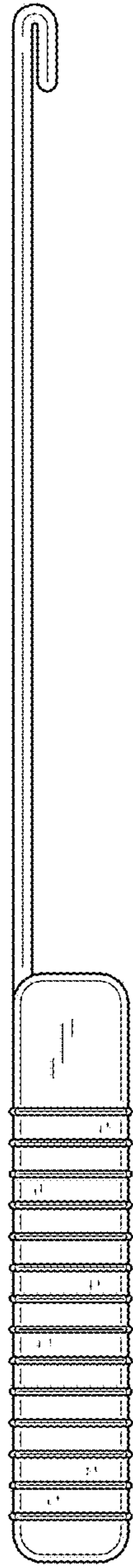


FIG. 1



FIG. 2

FIG. 3

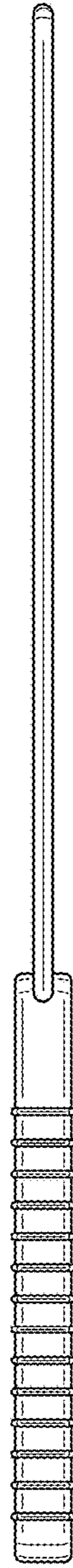


FIG. 4

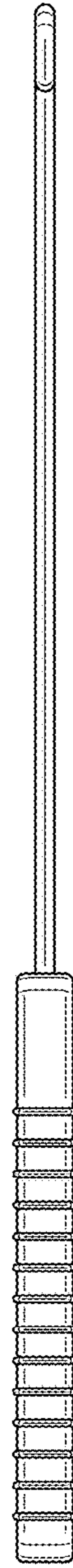


FIG. 5

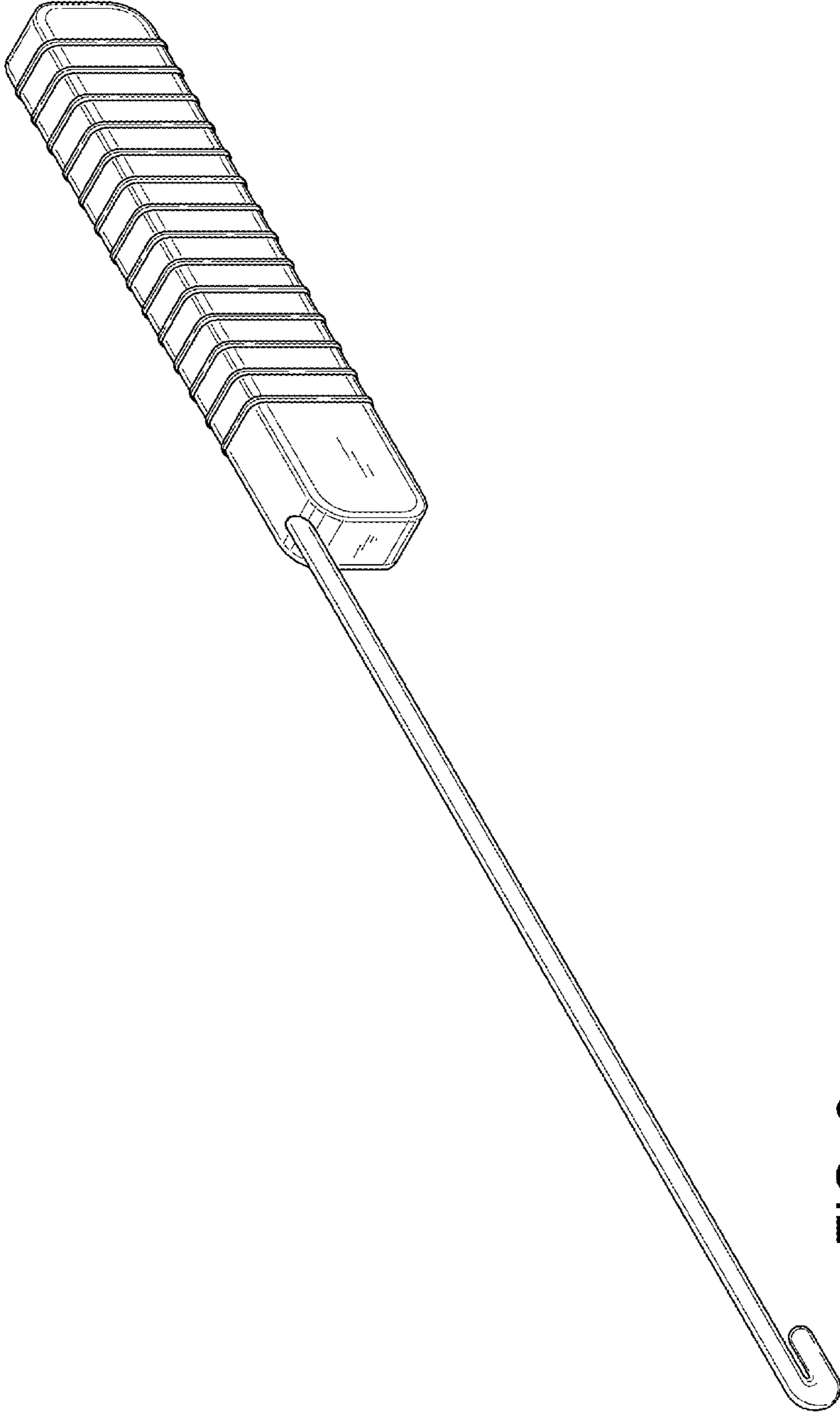


FIG. 6