



US00D849880S

(12) **United States Design Patent** (10) **Patent No.:** **US D849,880 S**
Naig (45) **Date of Patent:** **** May 28, 2019**

(54) **GLOW IN THE DARK SPOON FISHING LURE WITH A SLOT THAT RECEIVES A GLOW IN THE DARK CARTRIDGE**

(71) Applicant: **Eric Naig**, Bemidji, MN (US)

(72) Inventor: **Eric Naig**, Bemidji, MN (US)

(73) Assignee: **Big Fish America LLC**, Bemidji, MN (US)

(**) Term: **15 Years**

(21) Appl. No.: **29/633,577**

(22) Filed: **Jan. 15, 2018**

(51) **LOC (11) Cl.** **22-05**

(52) **U.S. Cl.**
USPC **D22/129**

(58) **Field of Classification Search**
USPC D22/126-133; 43/17.1, 42.41, 42.28, 43/42.09, 42.06, 42.31, 42.5, 42.53
CPC A01K 85/00; A01K 85/01; A01K 85/02; A01K 85/14
See application file for complete search history.

(56) **References Cited**

U.S. PATENT DOCUMENTS

1,450,546	A *	4/1923	Hansen	A01K 85/14
					43/42.5
2,728,160	A *	12/1955	Franklin	A01K 85/14
					43/42.09
3,019,544	A *	2/1962	Hummel	A01K 85/02
					43/42.41
3,221,435	A *	12/1965	St Amant	A01K 85/14
					43/42.06
3,440,755	A *	4/1969	Nahigian	A01K 85/14
					43/42.06
5,062,236	A *	11/1991	Fish	A01K 85/14
					43/42.28

(Continued)

Primary Examiner — Catherine R Oliver-Garcia

(74) *Attorney, Agent, or Firm* — Christopher A. Proskey; BrownWinick Law Firm

(57) **CLAIM**

The ornamental design for a glow in the dark spoon fishing lure with a slot that receives a glow in the dark cartridge, as shown and described.

DESCRIPTION

FIG. 1 is a top perspective view of the glow in the dark spoon fishing lure with a slot that receives a glow in the dark cartridge;

FIG. 2 is a bottom perspective view thereof;

FIG. 3 is a top plan view thereof;

FIG. 4 is a bottom plan view thereof;

FIG. 5 is a side elevation view thereof;

FIG. 6 is an opposite side elevation view thereof;

FIG. 7 is a front elevation view thereof;

FIG. 8 is a rear elevation view thereof;

FIG. 9 is a cross sectional view shown along line 9-9 of FIG. 4;

FIG. 10 is a cross sectional view shown along line 10-10 of FIG. 6;

FIG. 11 is a top perspective view of the glow in the dark spoon fishing lure with a slot that receives a glow in the dark cartridge, showing the cartridge positioned within the slot of the main body;

FIG. 12 is a bottom perspective view thereof;

FIG. 13 is a top plan view thereof;

FIG. 14 is a bottom plan view thereof;

FIG. 15 is a side elevation view thereof;

FIG. 16 is an opposite side elevation view thereof;

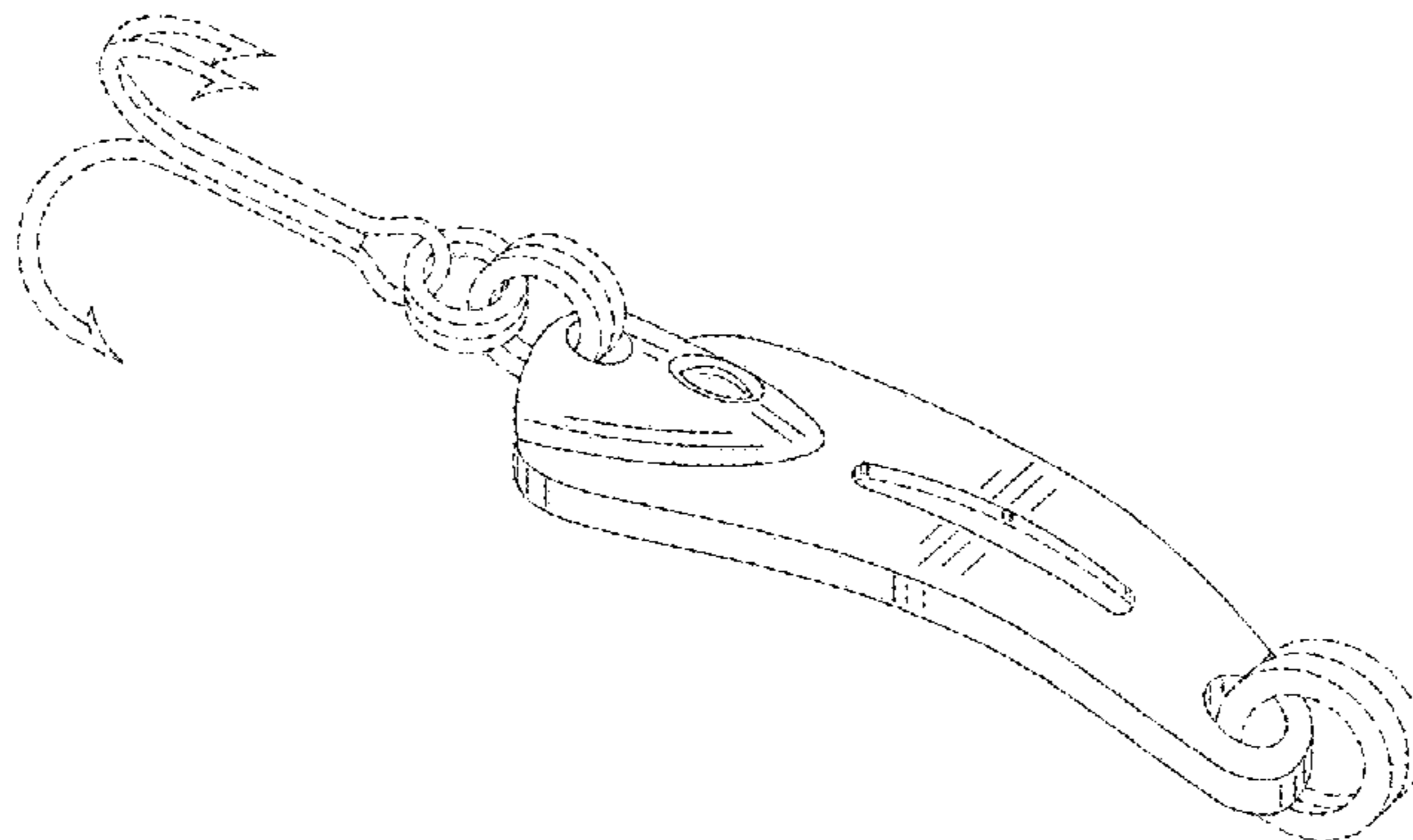
FIG. 17 is a front elevation view thereof;

FIG. 18 is a rear elevation view thereof; and,

FIG. 19 is a cross sectional view shown along line 19-19 of FIG. 16.

The broken lines shown represent the environment and represent unclaimed subject matter and form no part of the claimed design.

1 Claim, 15 Drawing Sheets



(56)

References Cited

U.S. PATENT DOCUMENTS

D374,907 S * 10/1996 Ketchum D22/129
D447,211 S * 8/2001 Kysilka D22/129
6,457,275 B1 * 10/2002 Spurgeon A01K 85/01
43/17.1
D581,007 S * 11/2008 Meade D22/129
D658,739 S * 5/2012 Thomson D22/129
D746,939 S * 1/2016 Thomson D22/129

* cited by examiner

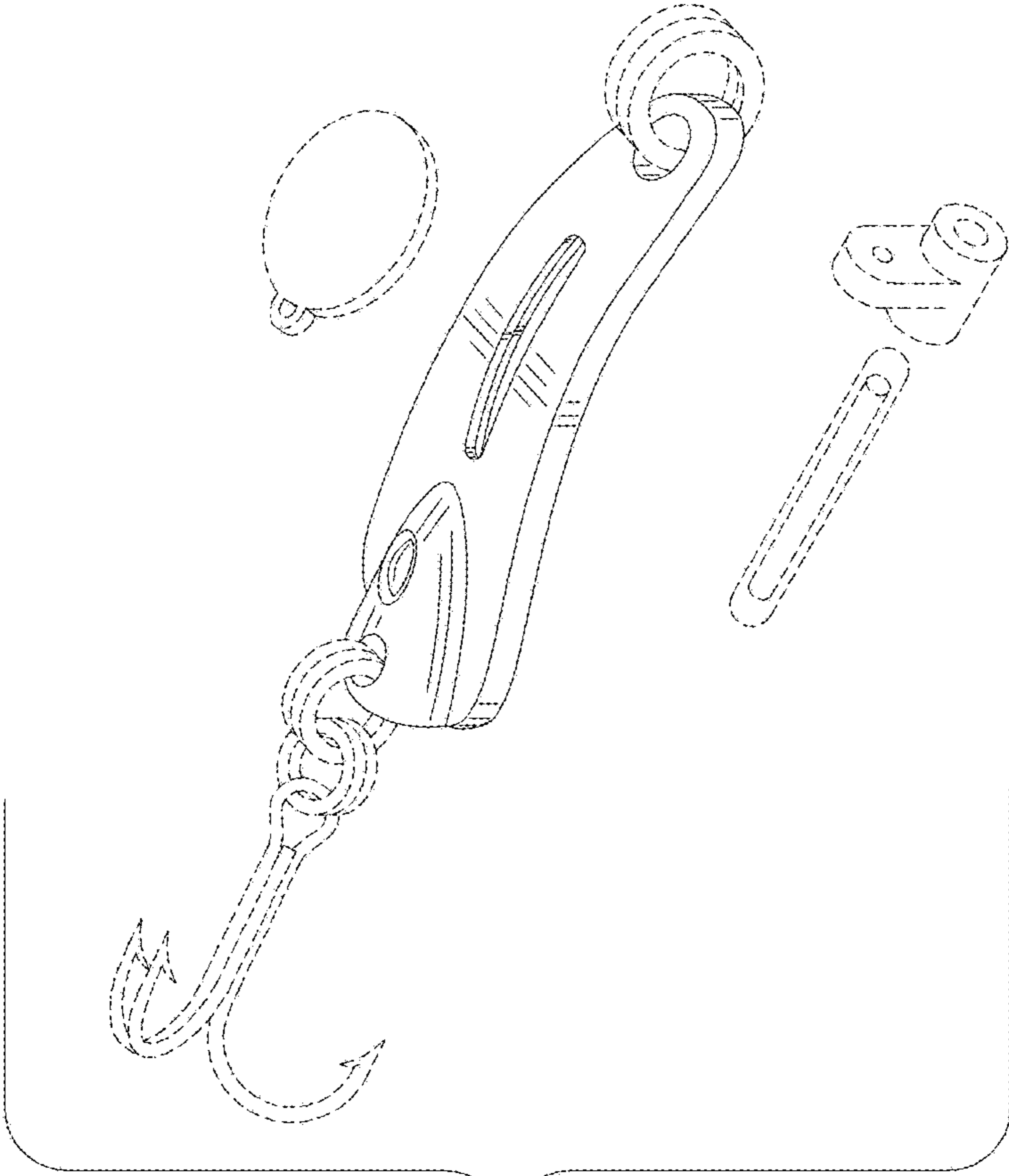


Fig. 1

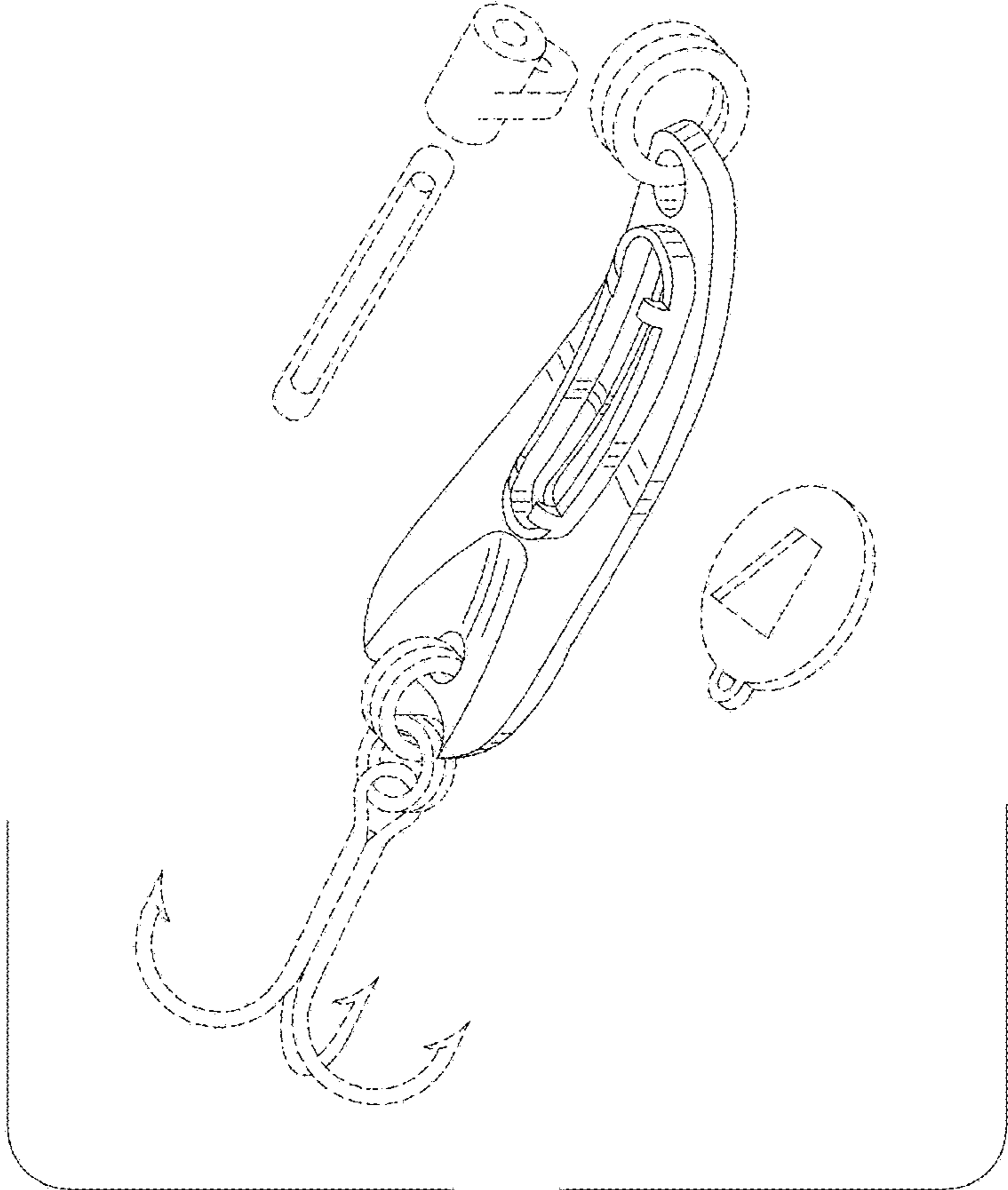


Fig. 2

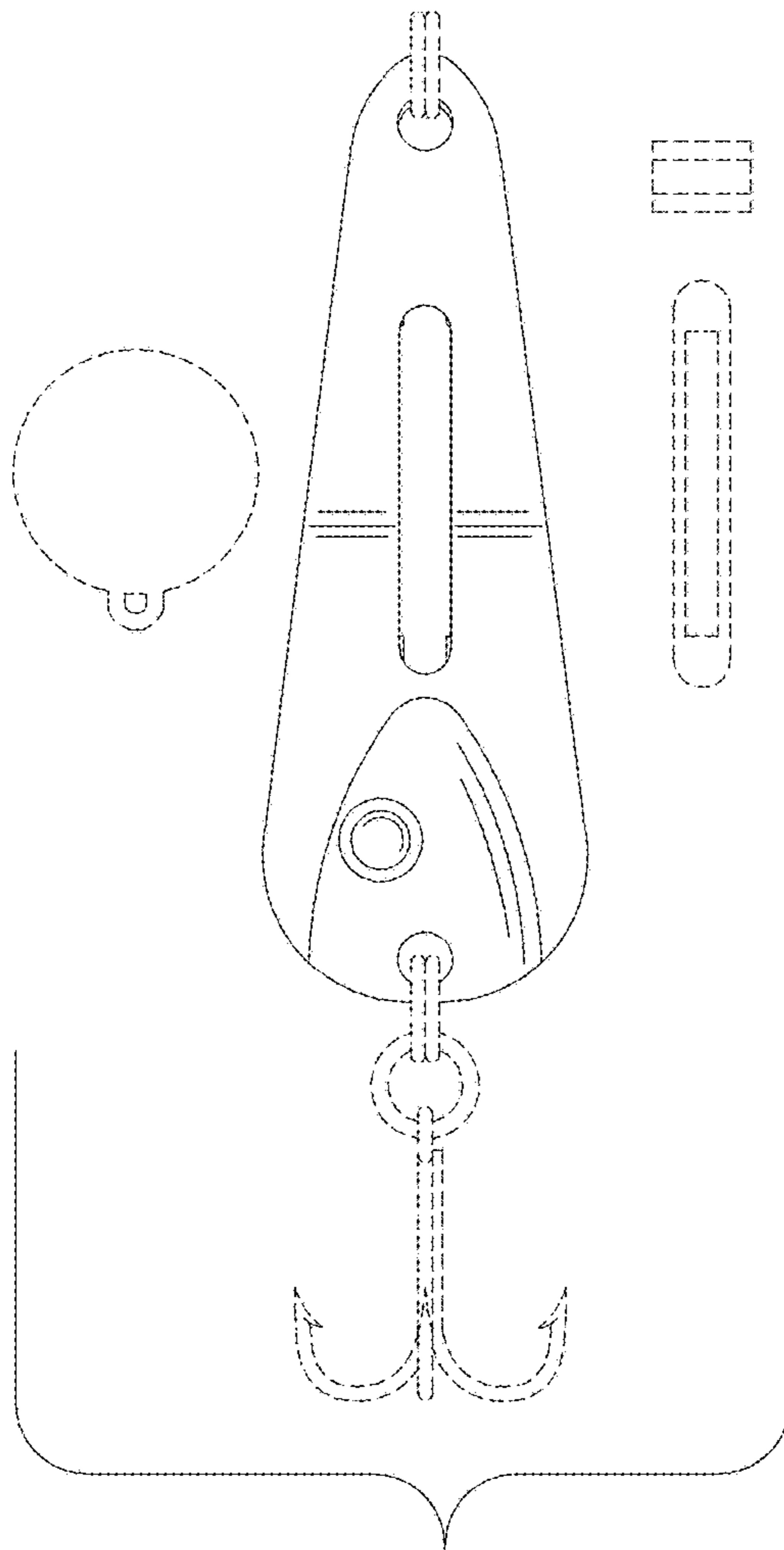


Fig. 3

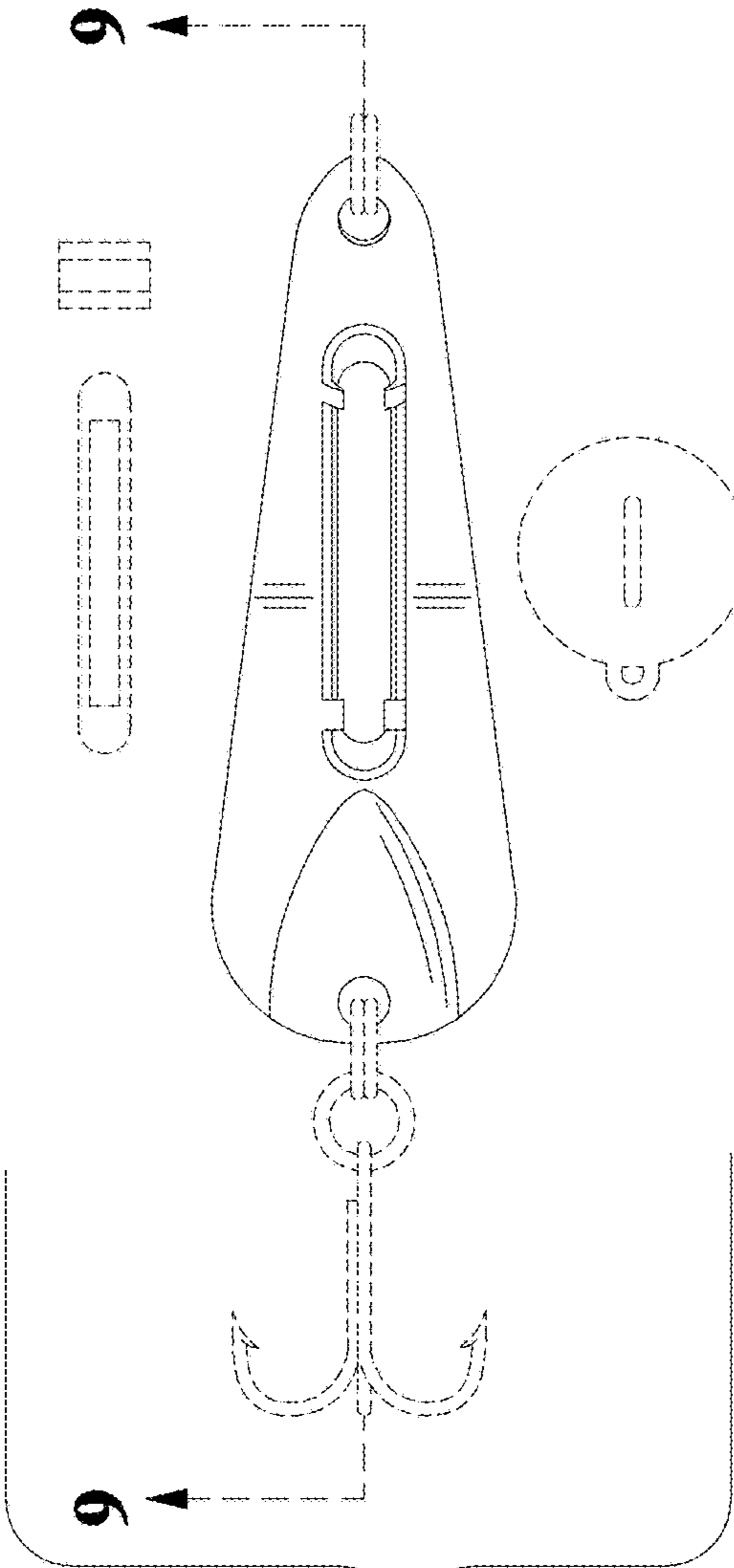


Fig. 4

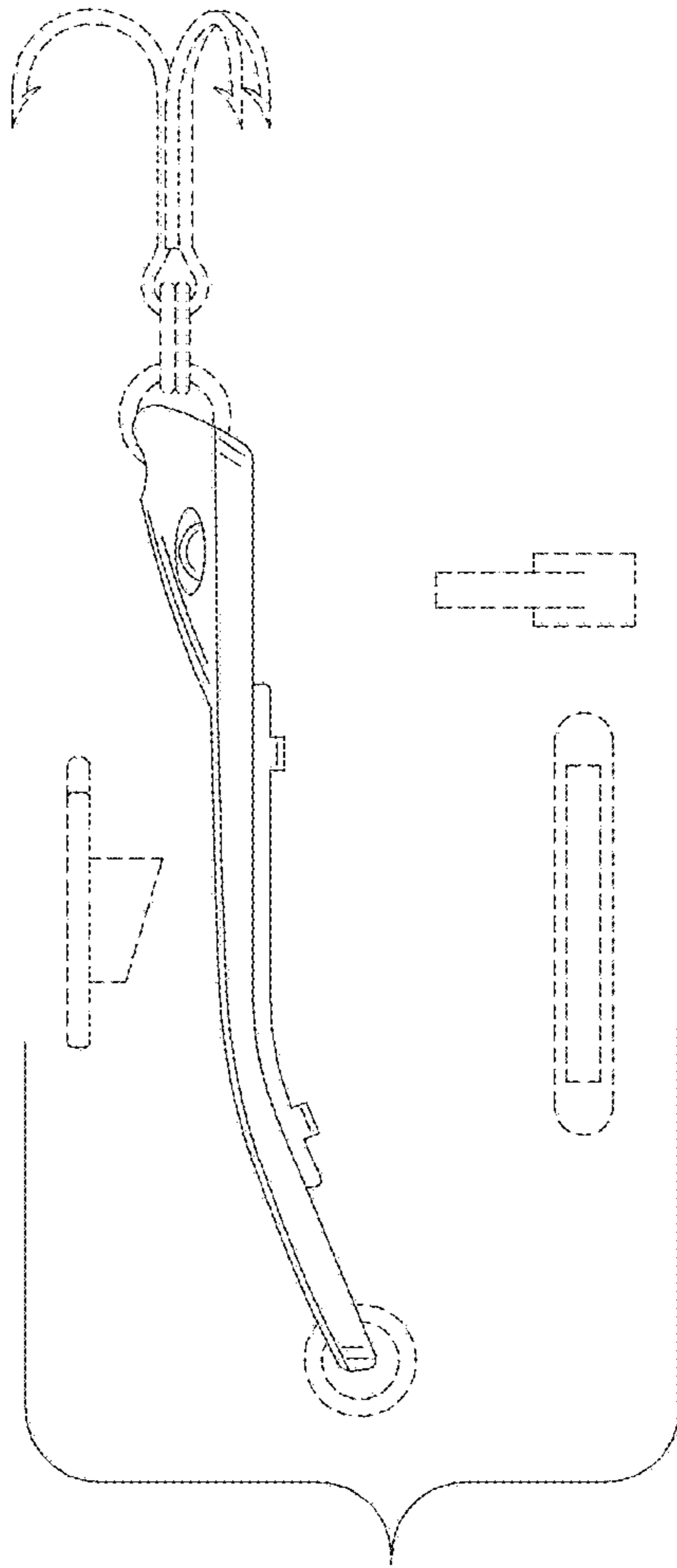


Fig. 5

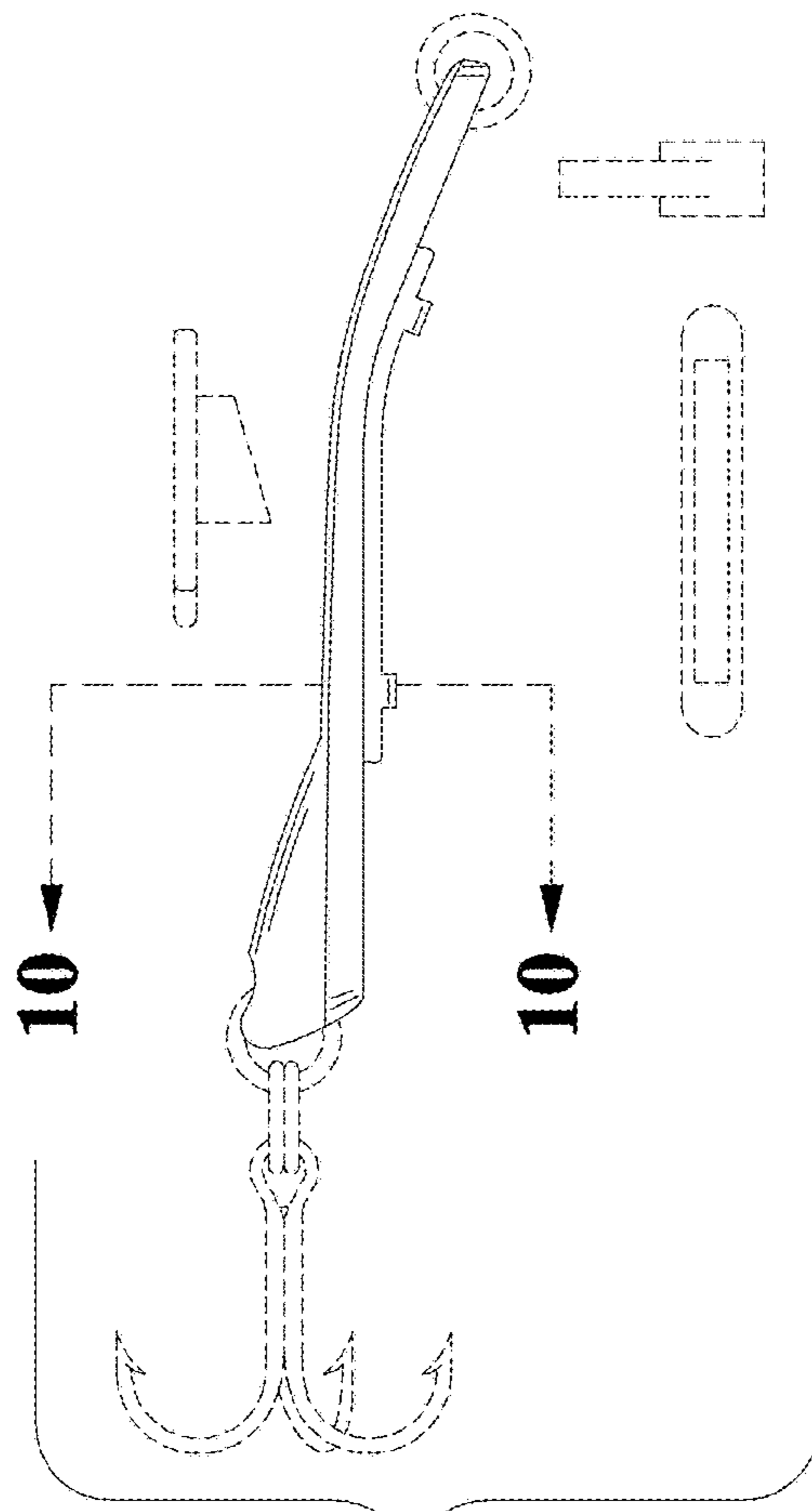


Fig. 6

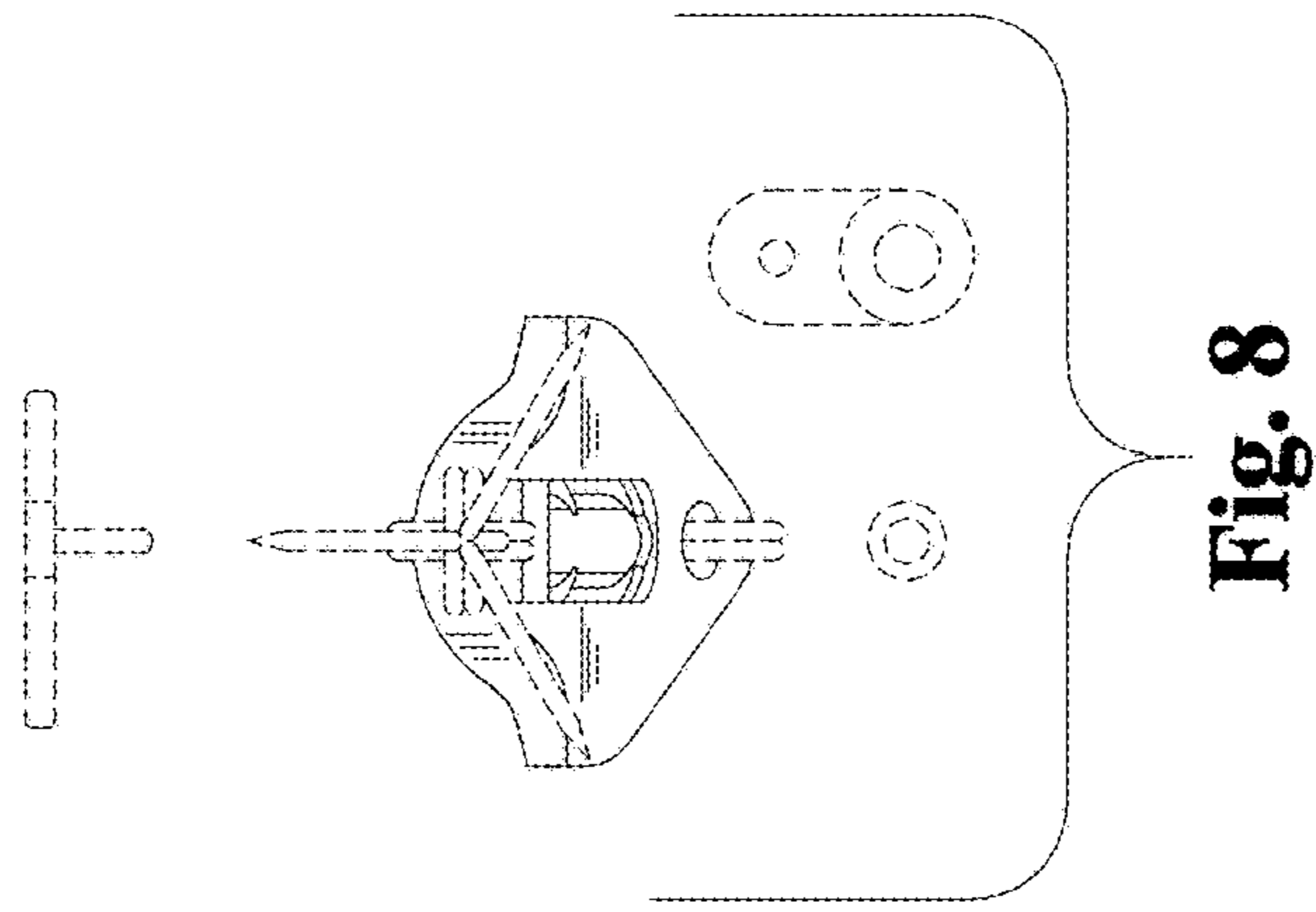


Fig. 8

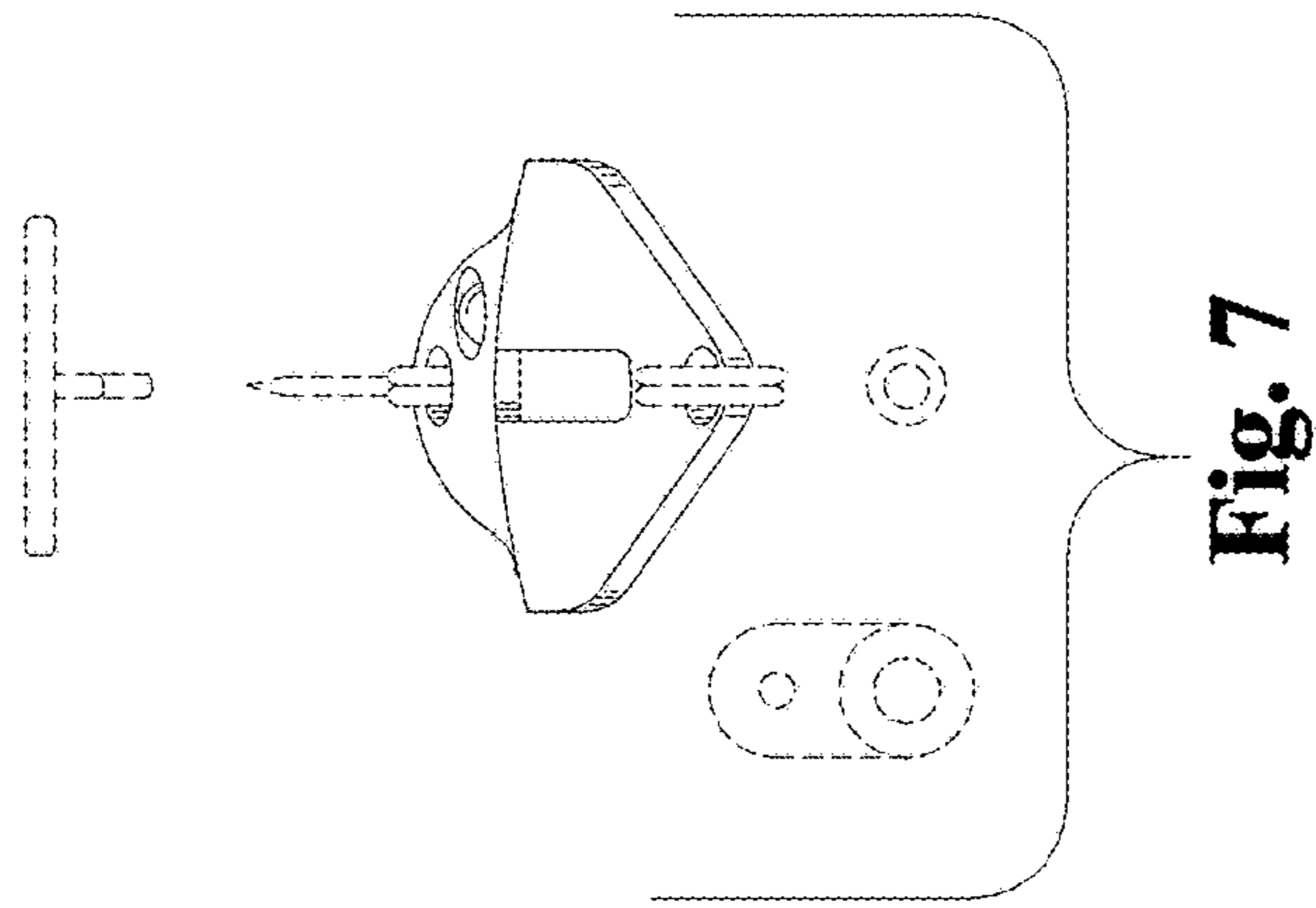


Fig. 7

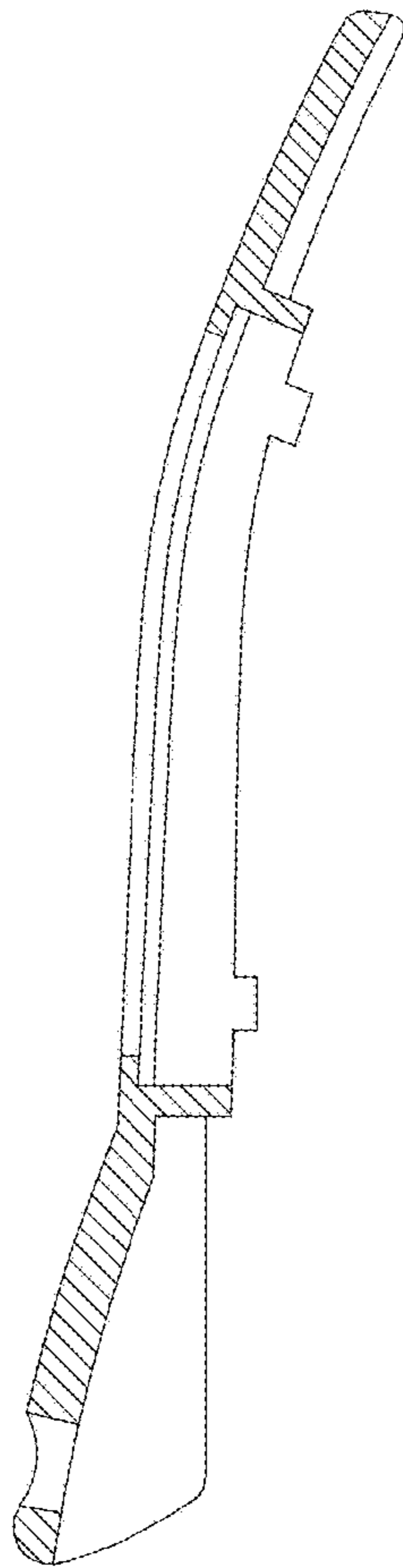


Fig. 9

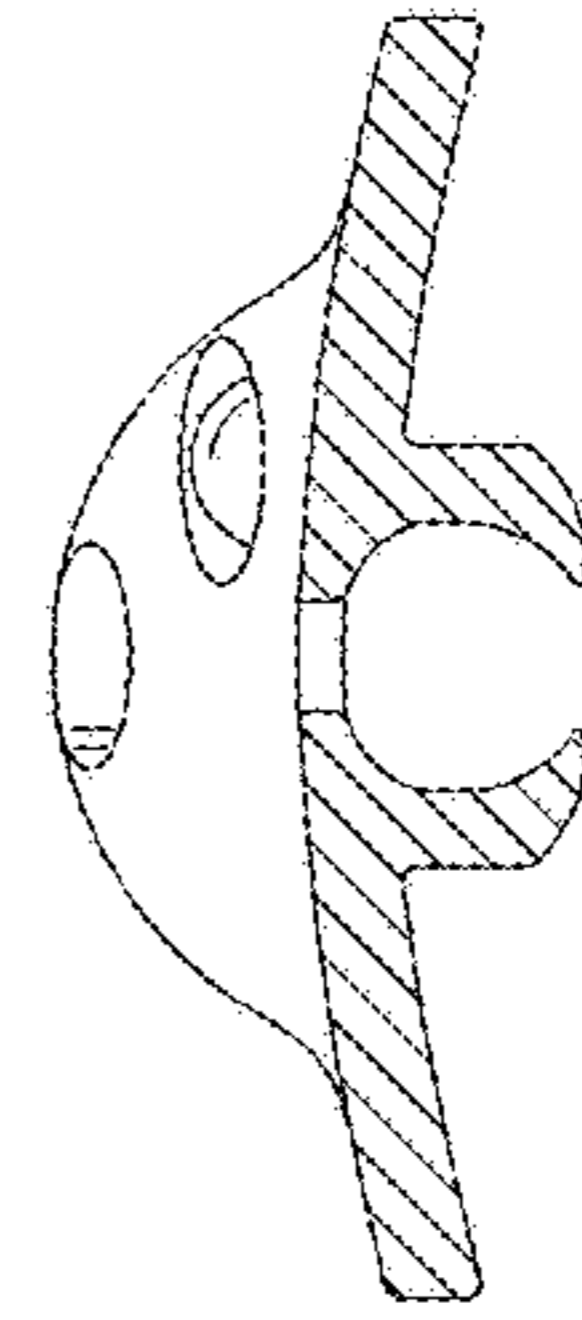


Fig. 10

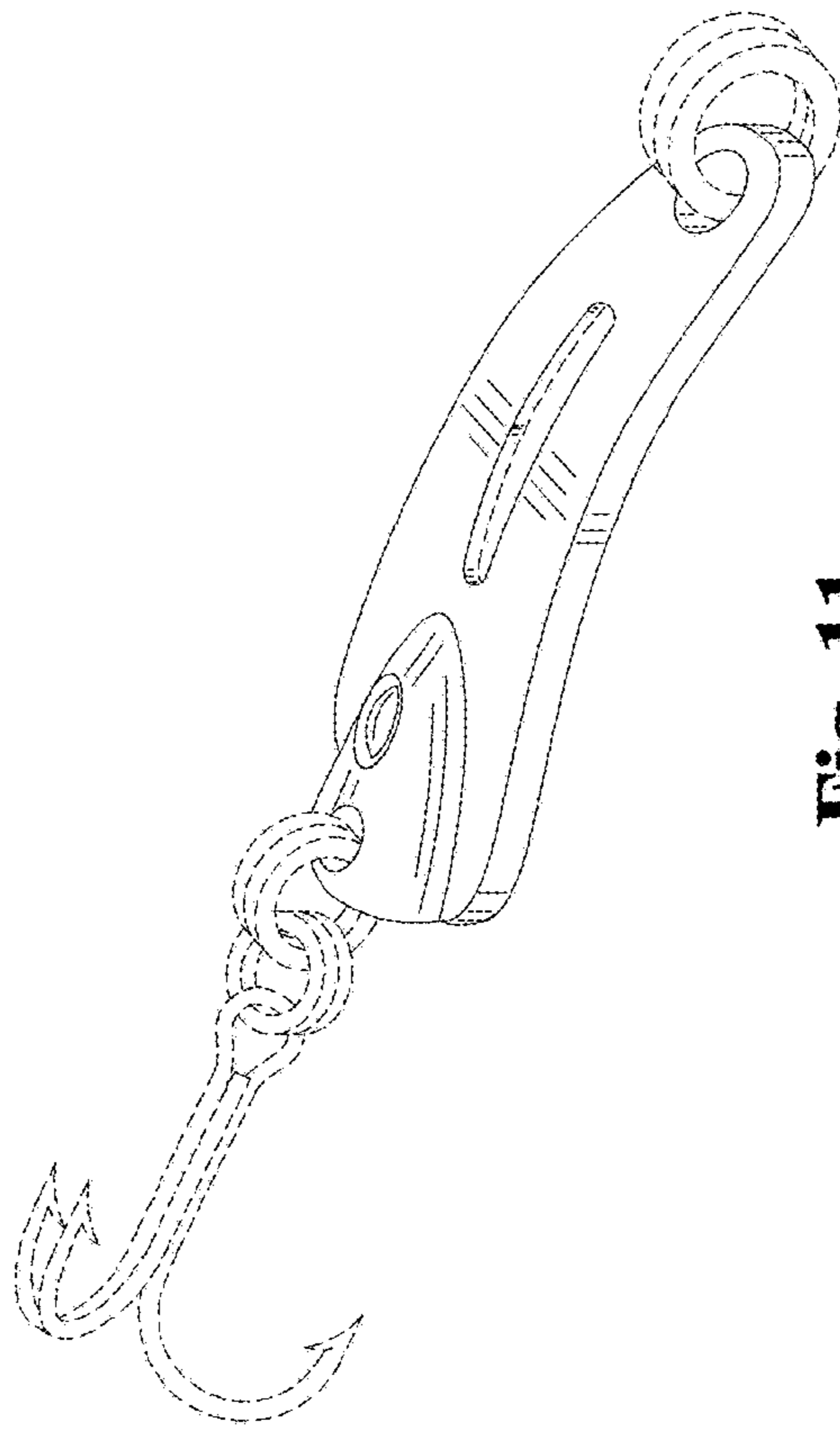


Fig. 11

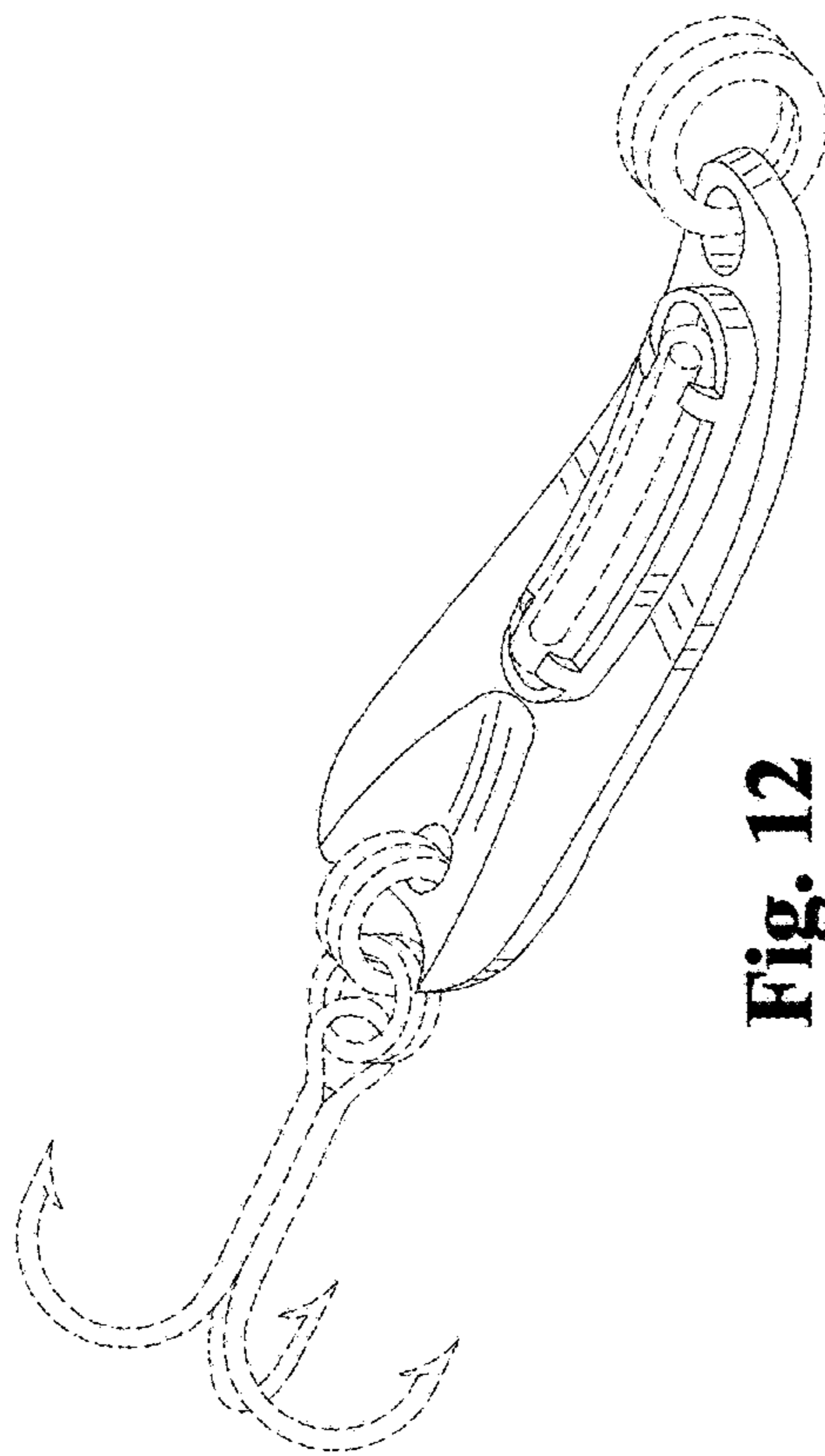


Fig. 12

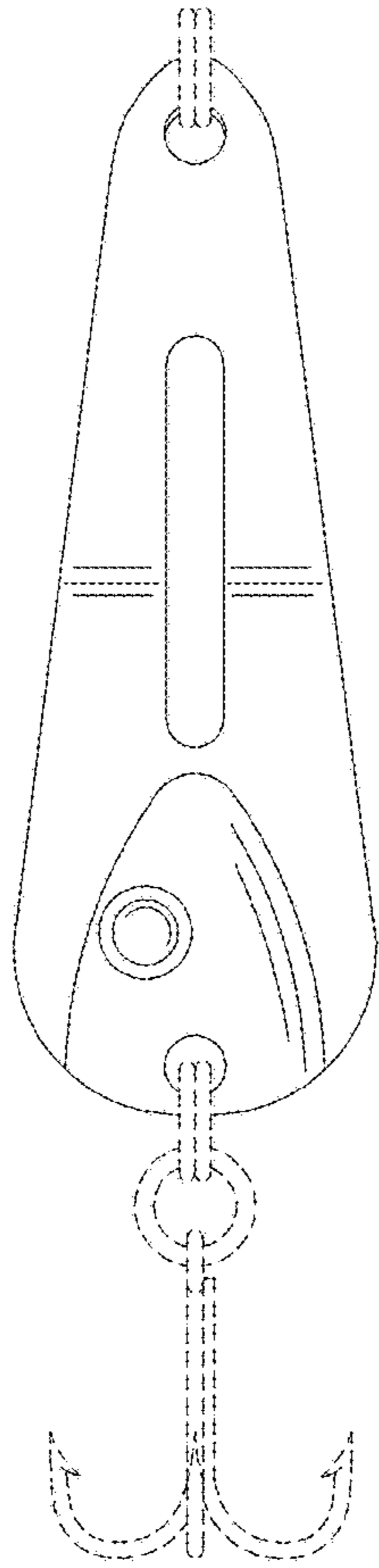


Fig. 13

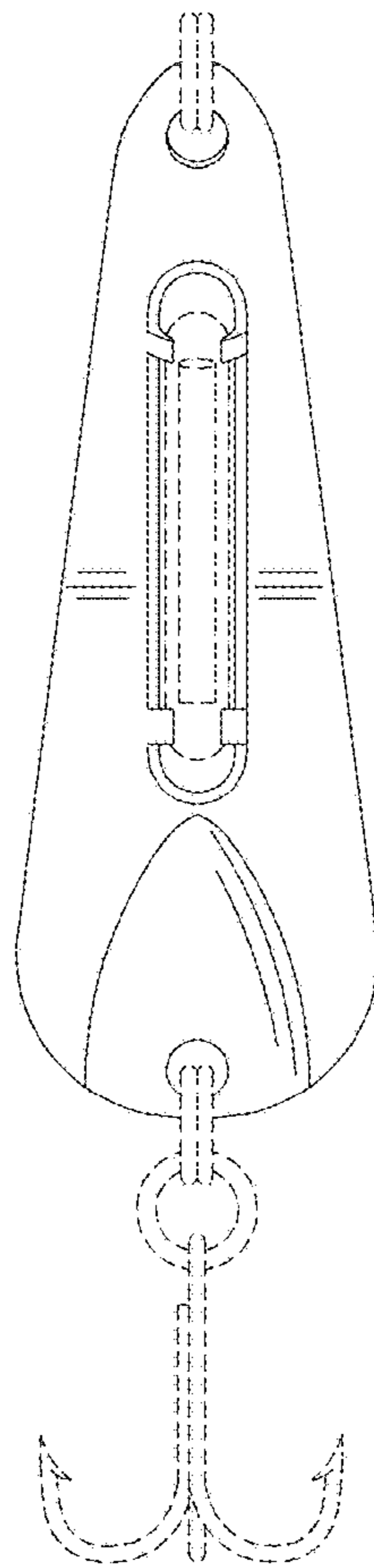


Fig. 14

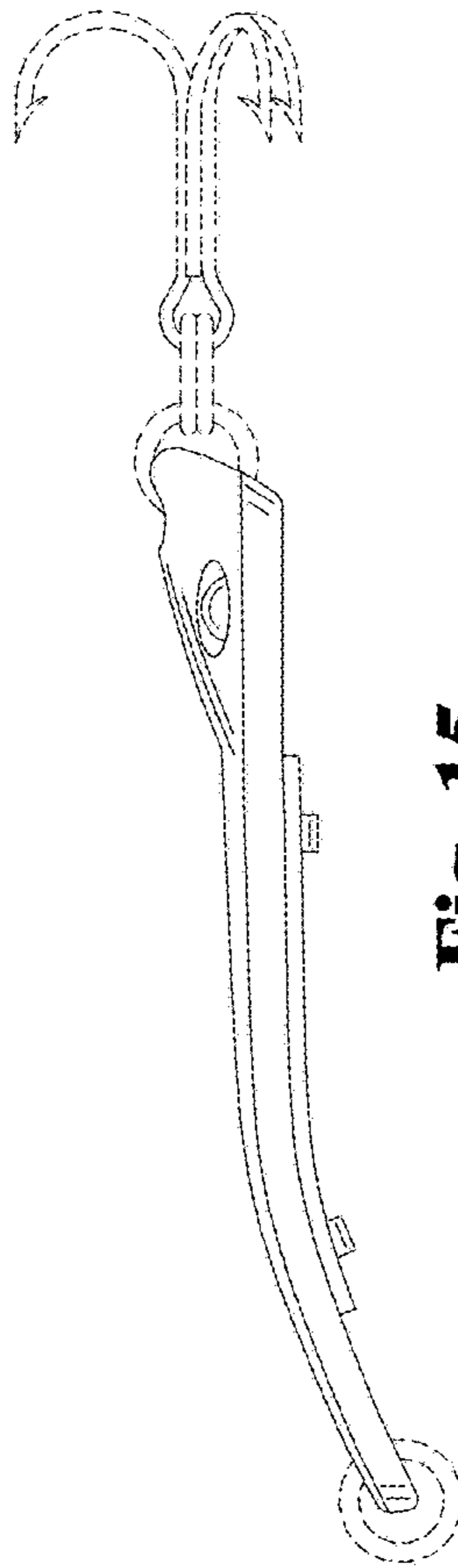


Fig. 15

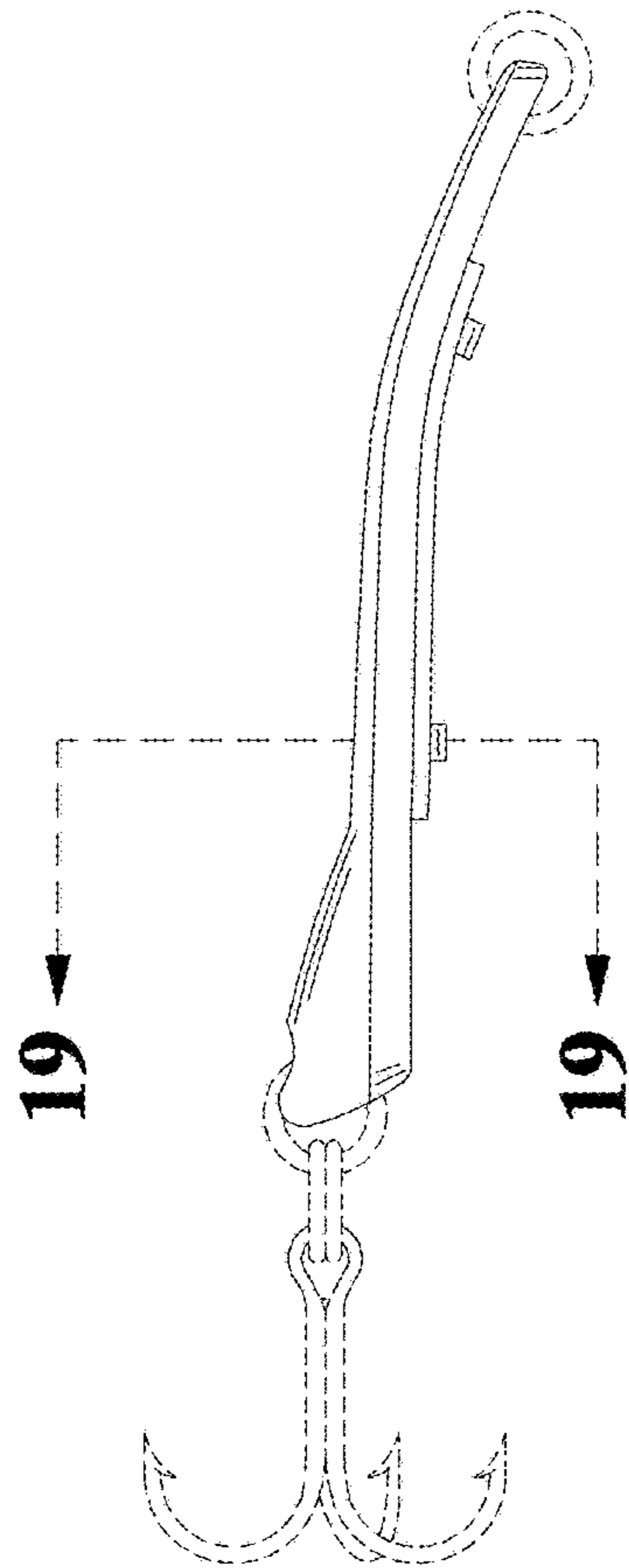


Fig. 16

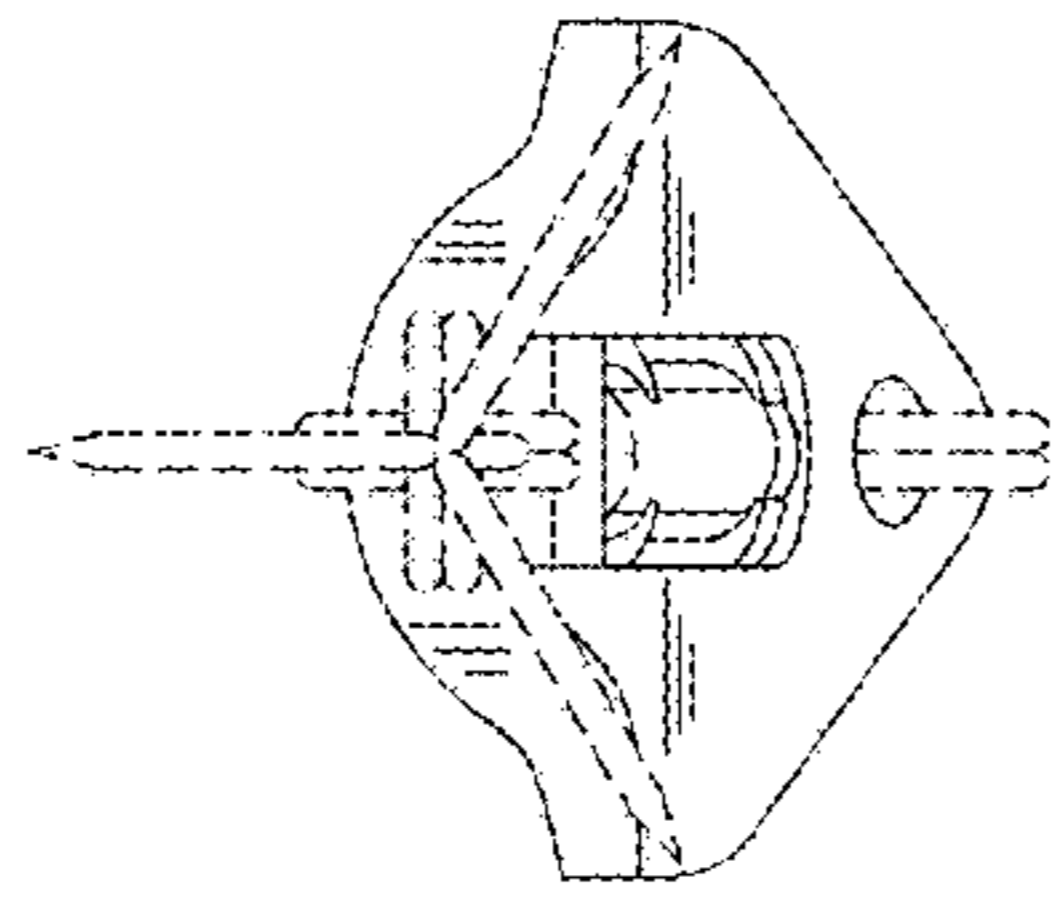


Fig. 18

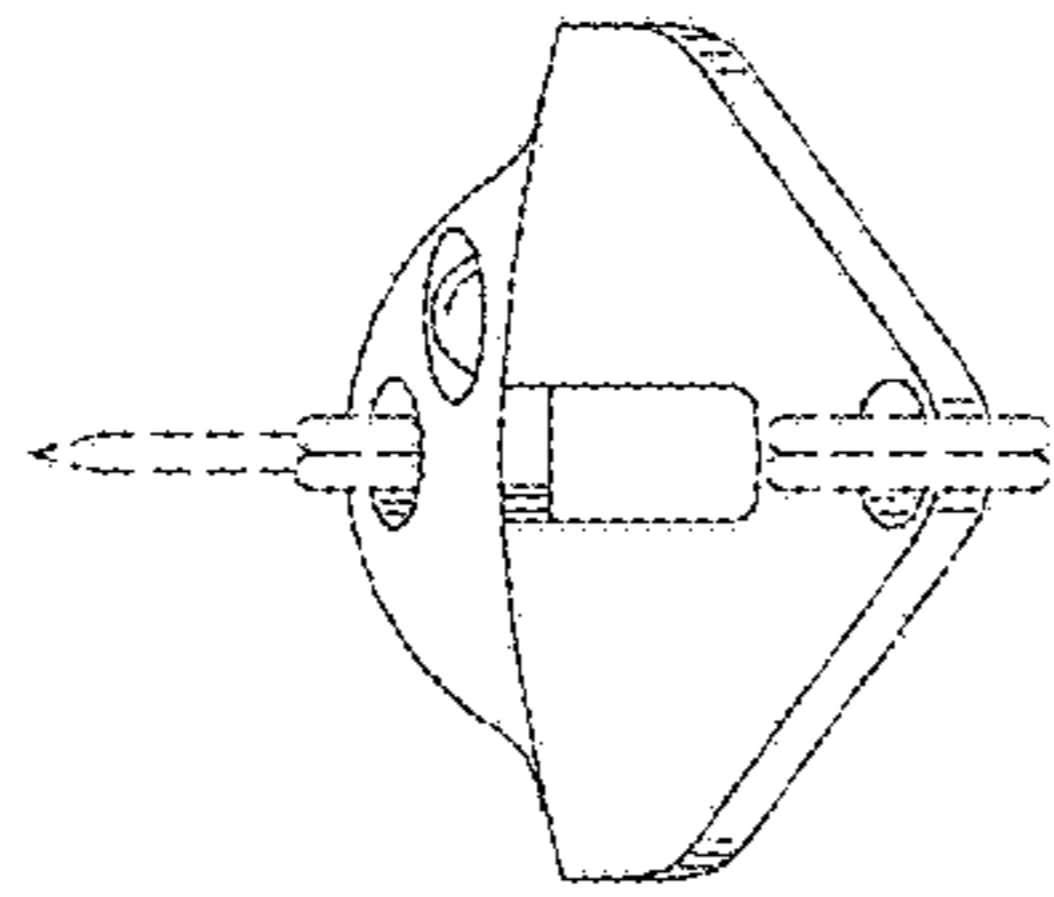


Fig. 17

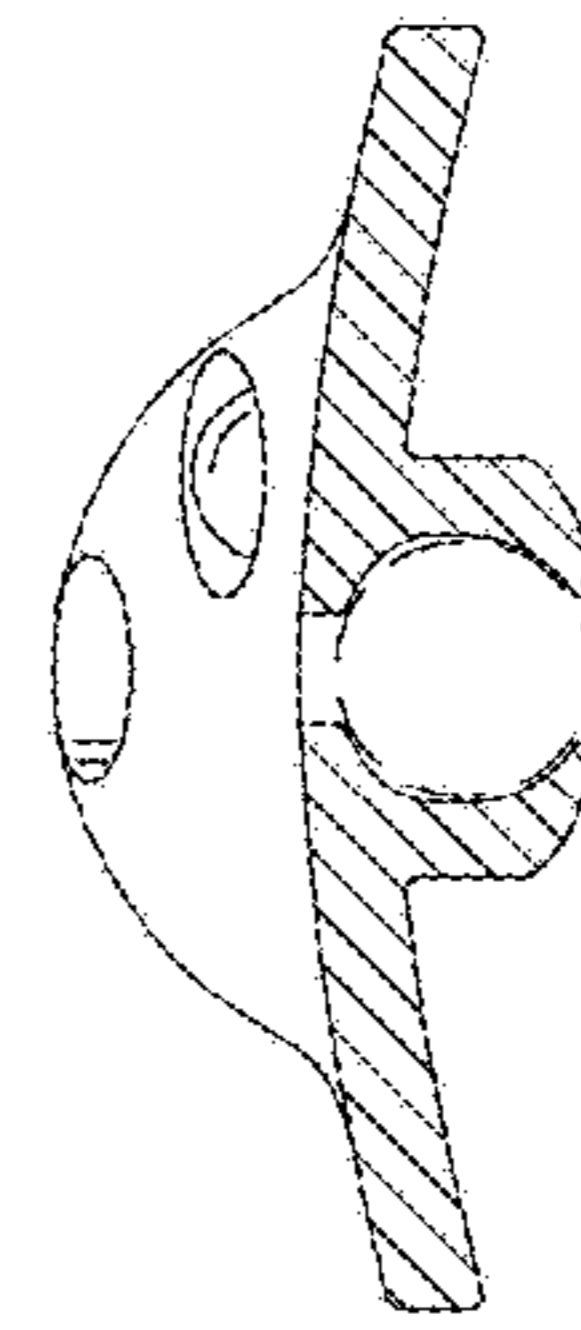


Fig. 19