



US00D849879S

(12) **United States Design Patent** (10) **Patent No.:** **US D849,879 S**  
**Embury** (45) **Date of Patent:** **\*\* May 28, 2019**

(54) **TURKEY DECOY**  
(71) Applicant: **Jody Embury**, Durand, MI (US)  
(72) Inventor: **Jody Embury**, Durand, MI (US)  
(\*\*) Term: **15 Years**  
(21) Appl. No.: **29/615,493**  
(22) Filed: **Aug. 29, 2017**  
(51) **LOC (11) Cl.** ..... **22-05**  
(52) **U.S. Cl.**  
USPC ..... **D22/125**  
(58) **Field of Classification Search**  
USPC ..... D22/119, 125, 130, 199; D3/2, 3;  
D6/552; D11/121, 127, 137; D12/400;  
D20/10  
CPC .... A01M 31/06; B44C 5/06; A45B 2025/003;  
A45B 2200/1009; A63H 33/42  
See application file for complete search history.

(56) **References Cited**

**U.S. PATENT DOCUMENTS**

D24,903 S \* 11/1895 Elmore ..... D3/3  
1,678,226 A \* 7/1928 Itura ..... A63H 3/00  
428/16  
4,590,699 A \* 5/1986 Nicks ..... A01M 31/06  
43/2  
5,064,725 A \* 11/1991 Acker ..... B44C 5/02  
428/16  
D334,951 S \* 4/1993 Mills ..... D20/10  
D338,778 S \* 8/1993 Routt ..... D3/3  
5,515,637 A \* 5/1996 Johnson  
D390,070 S \* 2/1998 Henry ..... D11/162  
D398,697 S \* 9/1998 Scordo  
D423,575 S \* 4/2000 Lowe ..... D19/123  
6,070,356 A \* 6/2000 Brint ..... A01M 31/06  
43/2  
D437,382 S \* 2/2001 Krise ..... D22/125  
6,519,891 B2 \* 2/2003 Fulcher ..... A01M 31/06  
43/2  
6,684,552 B1 \* 2/2004 Anders, III ..... A01M 31/04  
43/2

6,708,440 B2 \* 3/2004 Summers ..... A01M 31/06  
43/2  
D491,007 S \* 6/2004 Erneston ..... D6/552  
6,775,943 B2 8/2004 Loughman  
D557,371 S 12/2007 Wyant  
D560,745 S 1/2008 Bulger  
D560,746 S 1/2008 Bulger  
D566,614 S \* 4/2008 Chase ..... D11/132  
D596,696 S \* 7/2009 Cain ..... D22/125  
D605,727 S 12/2009 Anderson  
(Continued)

**OTHER PUBLICATIONS**

“Trans Fan Turkey Decoy.” Found online Jan. 22, 2019 at www.amazon.com. Page dated Apr. 4, 2014. Retrieved from URL: [https://www.amazon.com/Hunters-Edge-TRANS-TURKEY-DECOY/dp/B0016OPMNY/ref=sr\\_1\\_2\\_ssapa?ie=UTF8&qid=1548180628&sr=8-2-spons&keywords=turkey+decoy&psc=1](https://www.amazon.com/Hunters-Edge-TRANS-TURKEY-DECOY/dp/B0016OPMNY/ref=sr_1_2_ssapa?ie=UTF8&qid=1548180628&sr=8-2-spons&keywords=turkey+decoy&psc=1) (Year: 2014).\*  
(Continued)

*Primary Examiner* — Garth Rademaker  
*Assistant Examiner* — Katelin G Kloberg  
(74) *Attorney, Agent, or Firm* — Lorenz & Kopf, LLP

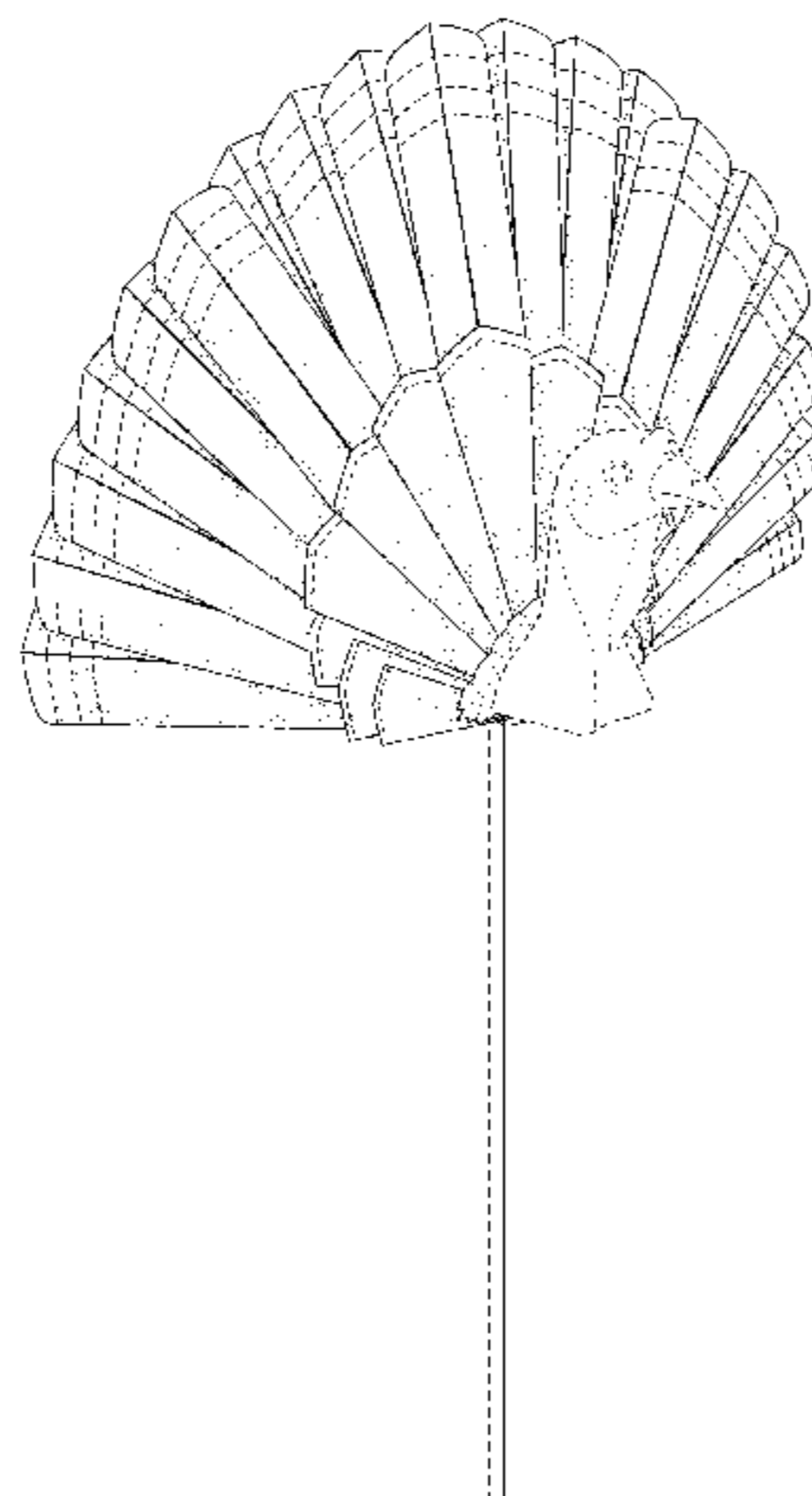
(57) **CLAIM**

The ornamental design for a turkey decoy, as shown and described.

**DESCRIPTION**

FIG. 1 is a perspective view of a turkey decoy;  
FIG. 2 is a front elevation view of the turkey decoy;  
FIG. 3 is a rear elevation view of the turkey decoy;  
FIG. 4 is a right side view of the turkey decoy;  
FIG. 5 is a left side view of the turkey decoy;  
FIG. 6 is a top plan view of the turkey decoy; and,  
FIG. 7 is a bottom plan view of the turkey decoy.  
The broken lines depict portions of the article that form no part of the claimed design.

**1 Claim, 5 Drawing Sheets**



(56)

References Cited

U.S. PATENT DOCUMENTS

7,784,213 B1 \* 8/2010 Primos ..... A01M 31/06  
43/2  
D628,264 S \* 11/2010 Hale ..... D22/125  
D645,931 S \* 9/2011 Samaras ..... D22/125  
8,168,305 B1 \* 5/2012 Peterson ..... B44C 5/02  
211/168  
8,191,304 B2 \* 6/2012 Poorman ..... A01M 31/06  
43/2  
8,627,592 B2 \* 1/2014 Sloop ..... A01M 31/06  
43/2  
8,793,922 B2 \* 8/2014 Roe ..... A01M 31/06  
43/2  
D721,157 S \* 1/2015 Boeckmann ..... D22/125  
9,474,267 B2 \* 10/2016 Rutledge ..... A01M 31/06  
9,622,468 B2 \* 4/2017 Downard ..... A01M 31/06  
D803,761 S \* 11/2017 Greif ..... D12/400  
9,826,731 B2 \* 11/2017 Cagle ..... A01M 31/06  
9,877,473 B2 \* 1/2018 Bartel ..... A01M 31/06  
2004/0250461 A1 \* 12/2004 Dryer ..... A01M 31/06  
43/2  
2005/0204604 A1 \* 9/2005 Noles ..... A01M 31/06  
43/2

2007/0151139 A1 \* 7/2007 O'Dell ..... A01M 31/06  
43/2  
2009/0107026 A1 \* 4/2009 Wyant ..... A01M 31/06  
43/2  
2012/0042561 A1 2/2012 Bain

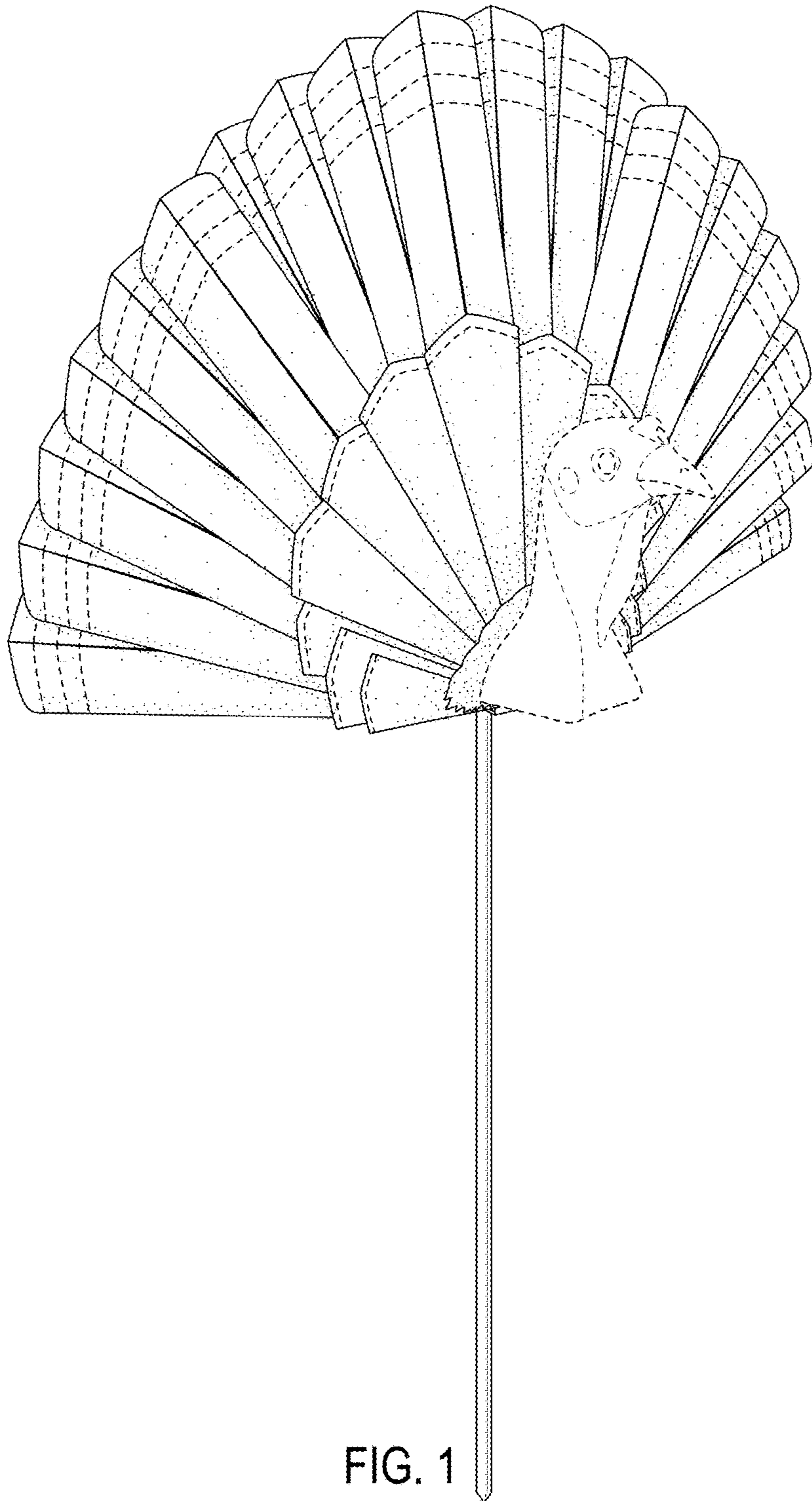
OTHER PUBLICATIONS

“Primos Chicken on a Stick Jake Turkey Decoy.” Found online Jan. 22, 2019 at [www.amazon.com/Primos-Chicken-Stick-Turkey-Decoy/dp/B00SAW6JHS/ref=sr\\_1\\_13?ie=UTF8&qid=1548180628&sr=8-13&keywords=turkey+decoy](https://www.amazon.com/Primos-Chicken-Stick-Turkey-Decoy/dp/B00SAW6JHS/ref=sr_1_13?ie=UTF8&qid=1548180628&sr=8-13&keywords=turkey+decoy) (Year: 2016).\*

“Flextone Thunder Creeper Struter Decoy.” Found online Jan. 22, 2019 at [www.amazon.com/Flextone-Thunder-Creeper-Strutter-Decoy/dp/B01N25YOQR/ref=sr\\_1\\_16?ie=UTF8&qid=1548180628&sr=8-16&keywords=turkey+decoy](https://www.amazon.com/Flextone-Thunder-Creeper-Strutter-Decoy/dp/B01N25YOQR/ref=sr_1_16?ie=UTF8&qid=1548180628&sr=8-16&keywords=turkey+decoy) (Year: 2017).\*

“Mojo Outdoors HW2453 Tail Chaser Max Turkey Hunting Decoy.” Found online Jan. 22, 2019 at [www.amazon.com/MOJO-Outdoors-HW2453-Chaser-Hunting/dp/B01N7Y5IW1/ref=sr\\_1\\_21?ie=UTF8&qid=1548180628&sr=8-21&keywords=turkey+decoy](https://www.amazon.com/MOJO-Outdoors-HW2453-Chaser-Hunting/dp/B01N7Y5IW1/ref=sr_1_21?ie=UTF8&qid=1548180628&sr=8-21&keywords=turkey+decoy) (Year: 2017).\*

\* cited by examiner



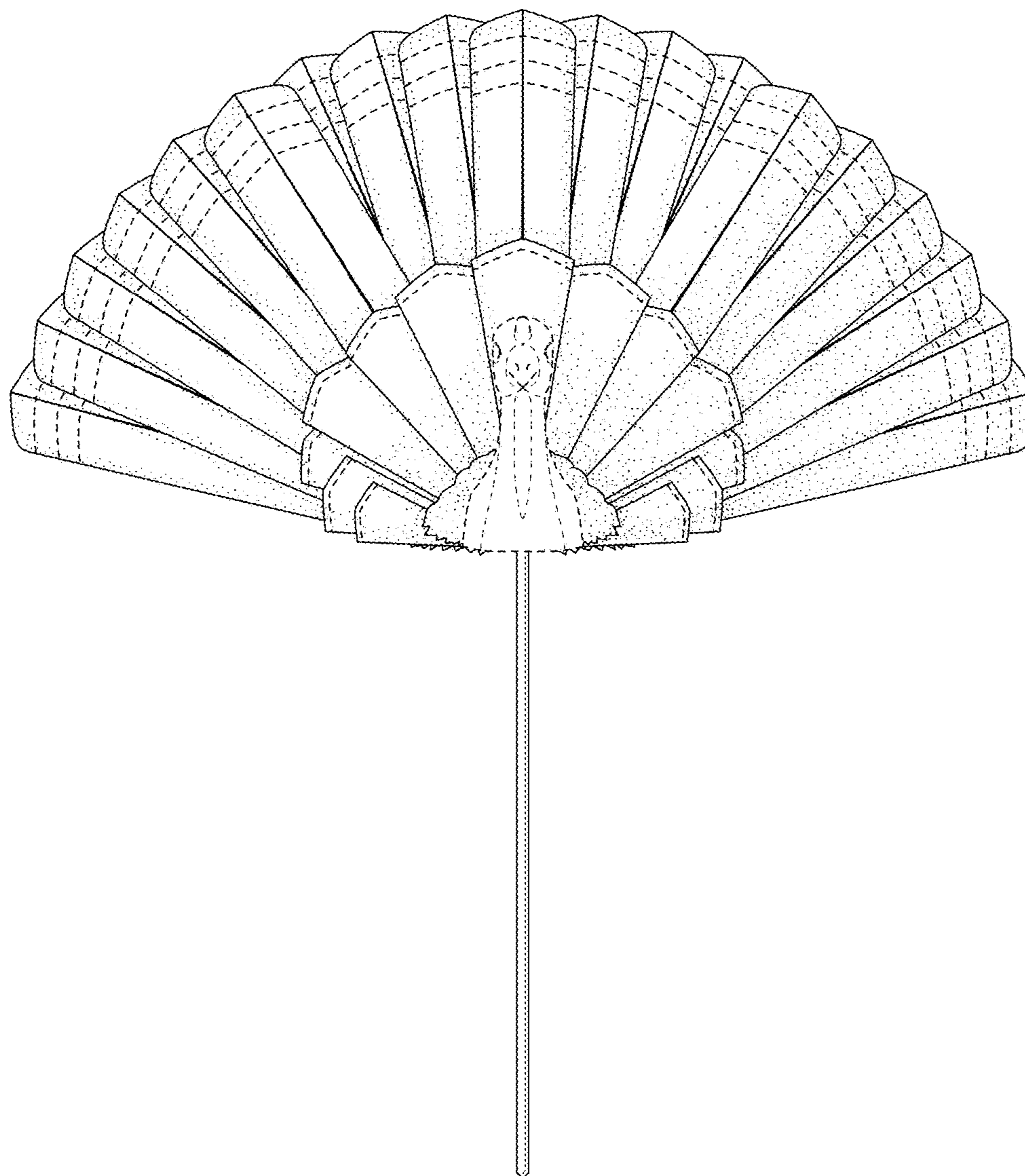


FIG. 2

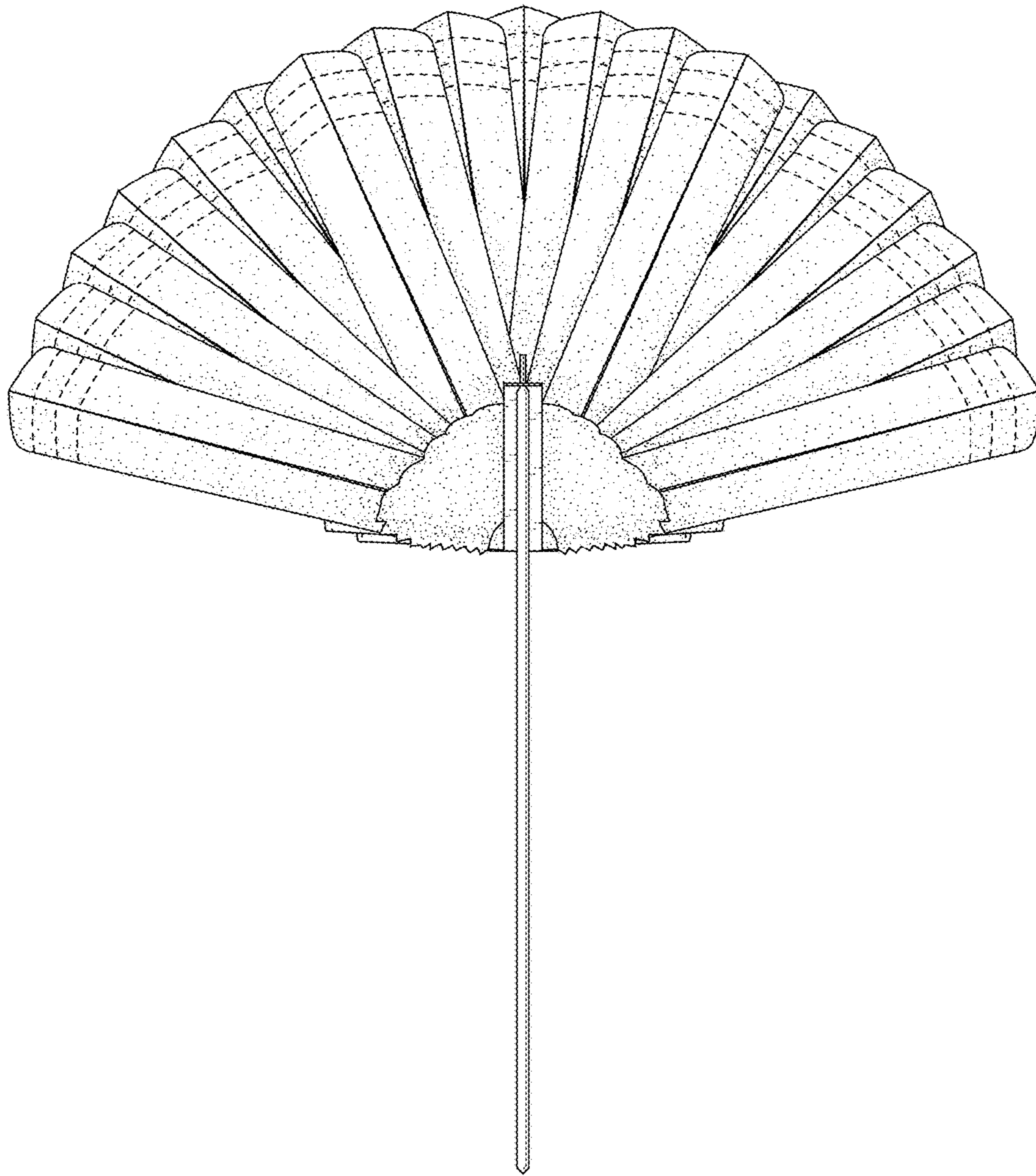


FIG. 3

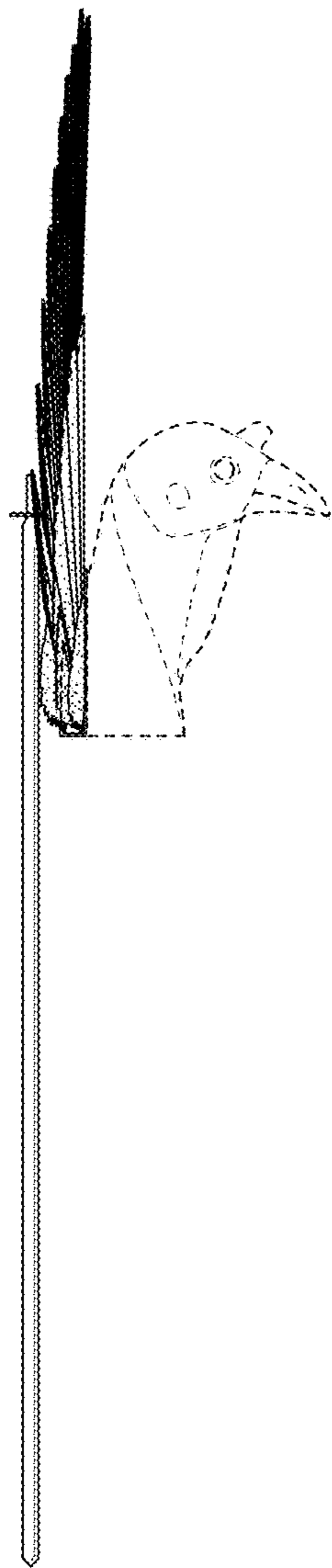


FIG. 4

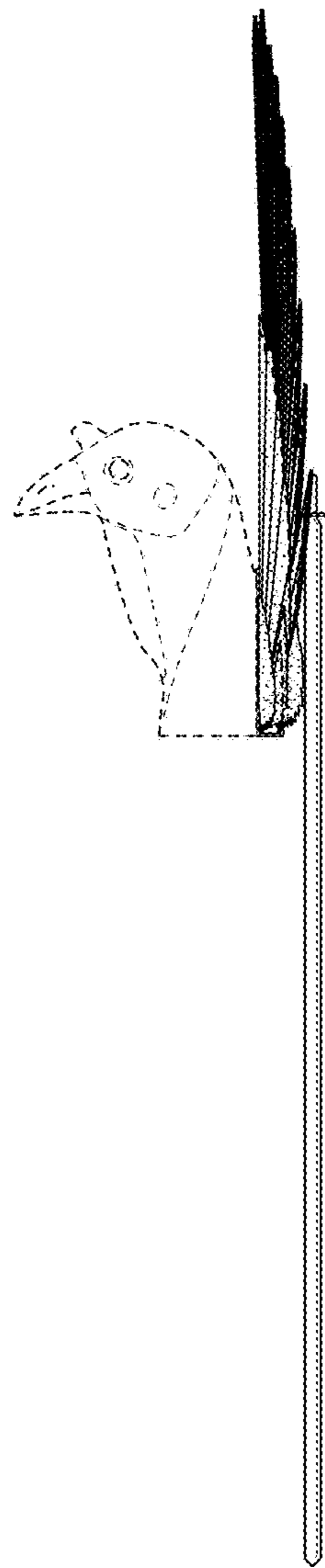


FIG. 5

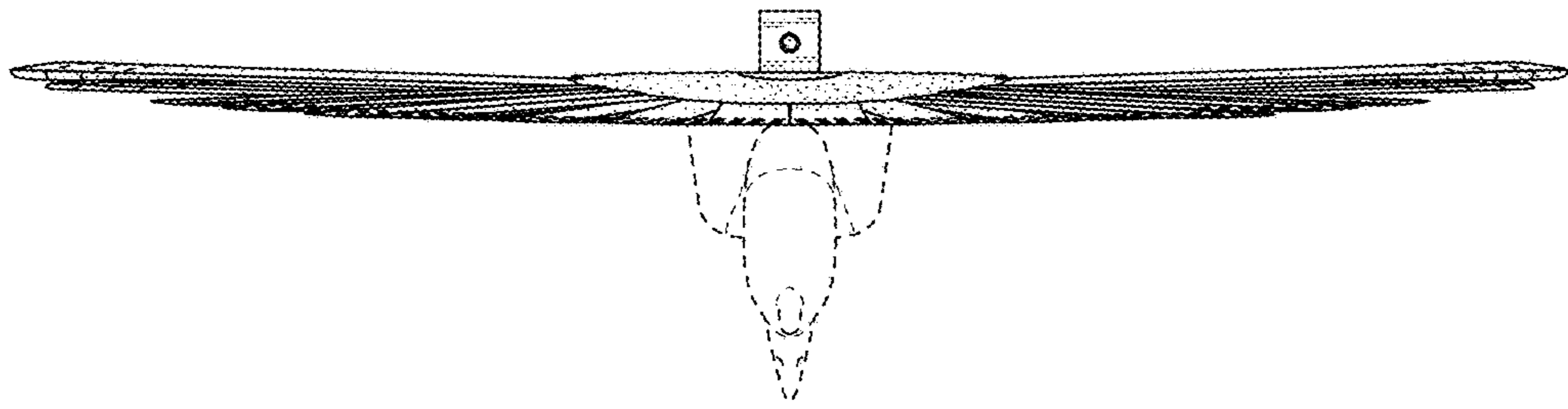


FIG. 6

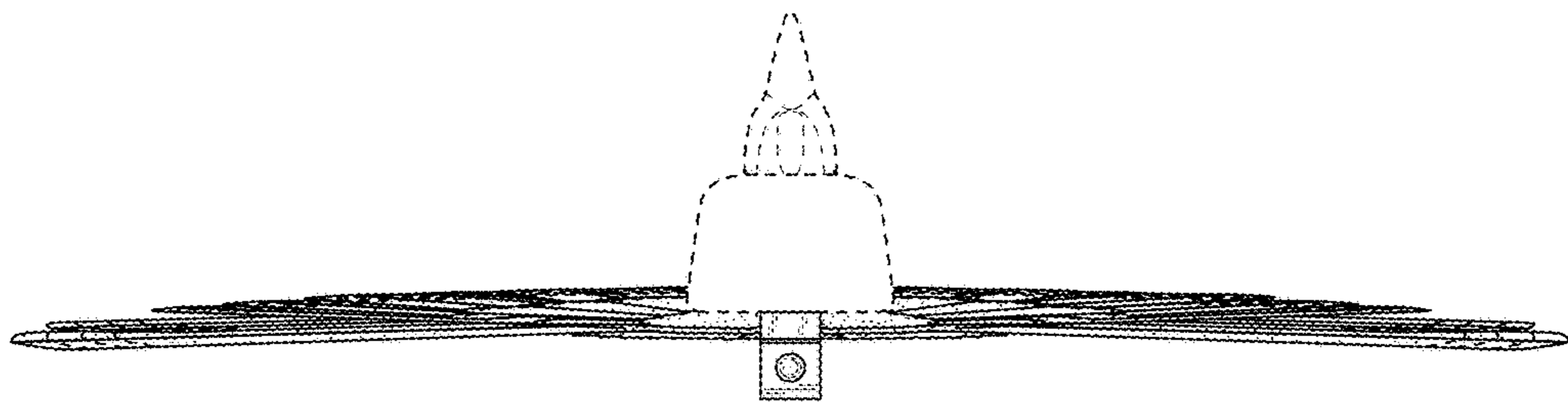


FIG. 7