



US00D849876S

(12) **United States Design Patent** (10) **Patent No.:** **US D849,876 S**
Heine et al. (45) **Date of Patent:** **** May 28, 2019**

(54) **SHEATH**

(71) Applicant: **Fiskars Finland Oy Ab**, Helsinki (FI)

(72) Inventors: **Mikko Heine**, Helsinki (FI); **Teemu Sandelin**, Helsinki (FI); **Petteri Masalin**, Helsinki (FI)

(73) Assignee: **Fiskars Finland Oy Ab**, Helsinki (FI)

(**) Term: **15 Years**

(21) Appl. No.: **29/574,399**

(22) Filed: **Aug. 15, 2016**

(30) **Foreign Application Priority Data**

Feb. 29, 2016 (EM) 003006550

(51) **LOC (11) Cl.** **22-02**

(52) **U.S. Cl.**
USPC **D22/118**

(58) **Field of Classification Search**

USPC D22/118; D3/220; D8/71, 95, 96, 97,
D8/98, 99, 107

CPC B24D 15/08; B24B 15/08; B26B 29/02;
B26B 3/06

See application file for complete search history.

(56) **References Cited**

U.S. PATENT DOCUMENTS

1,754,543 A	4/1930	Callum	
D141,363 S *	5/1945	Fairbairn D22/118
4,428,515 A	1/1984	Mayer	

(Continued)

OTHER PUBLICATIONS

Fiskars Website, Utility Knives, Publication Date Unknown, [Site Visited Apr. 19, 2018], Available on the Internet URL <http://www.fiskars.eu/products/gardening/utility-knives>.*

Primary Examiner — Karen S Acker
Assistant Examiner — Steven Reinholdt, Jr.

(74) *Attorney, Agent, or Firm* — Leason Ellis LLP

(57) **CLAIM**

We claim the ornamental design for sheath, as shown and described.

DESCRIPTION

The patent or application file contains at least one drawing executed in color. Copies of this patent or patent application publication with color drawing(s) will be provided by the Office upon request and payment of the necessary fee.

FIG. 1 is a rear perspective view of an embodiment of the claimed design;

FIG. 2 is a rear view thereof;

FIG. 3 is a left side view thereof;

FIG. 4 is a right side view thereof;

FIG. 5 is a front view thereof;

FIG. 6 is a bottom view thereof;

FIG. 7 is a top view thereof;

FIG. 8 is a rear perspective view of another embodiment of the claimed design;

FIG. 9 is a rear view thereof;

FIG. 10 is a left side view thereof;

FIG. 11 is a right side view thereof;

FIG. 12 is a front view thereof;

FIG. 13 is a bottom view thereof;

FIG. 14 is a top view thereof;

FIG. 15 is a rear perspective view of another embodiment of the claimed design;

FIG. 16 is a rear view thereof;

FIG. 17 is a left side view thereof;

FIG. 18 is a right side view thereof;

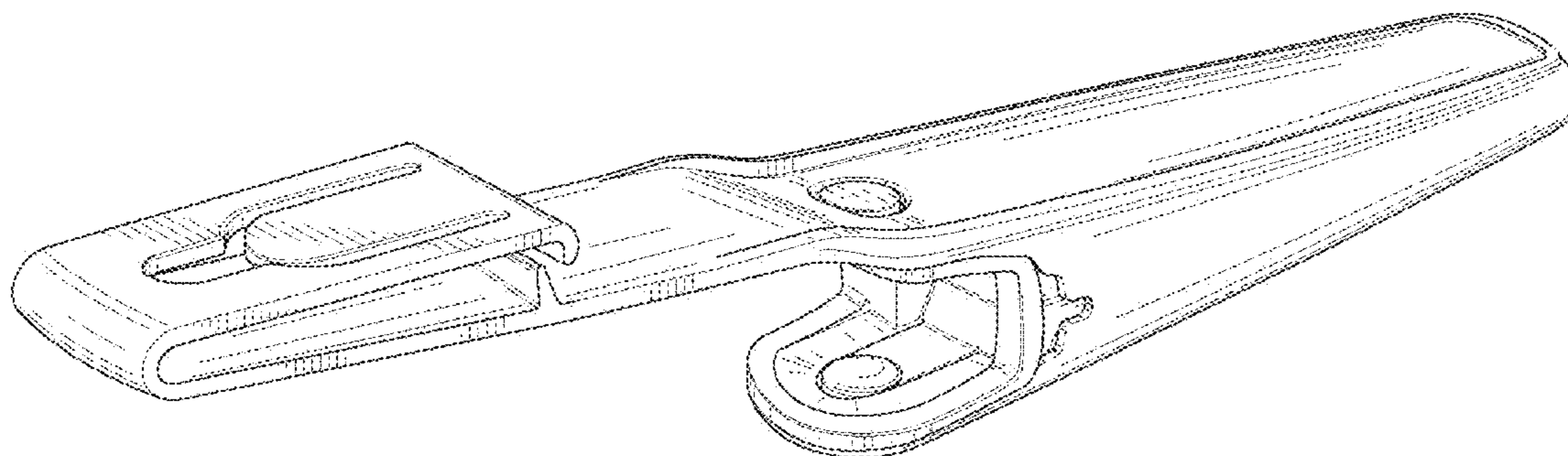
FIG. 19 is a front view thereof;

FIG. 20 is a bottom view thereof; and,

FIG. 21 is a top view thereof.

The broken lines and the areas within them depict portions of the sheath that form no part of the claimed design.

1 Claim, 15 Drawing Sheets
(10 of 15 Drawing Sheet(s) Filed in Color)



(56)

References Cited

U.S. PATENT DOCUMENTS

4,573,268 A	3/1986	Call		8,046,922 B2	11/2011	Eby et al.	
4,825,552 A	5/1989	Bendickson et al.		D661,169 S *	6/2012	Tinius	D3/220
D305,257 S	12/1989	Bendickson et al.		D661,367 S	6/2012	Seeds et al.	
D359,789 S *	6/1995	Seber	D22/118	D696,567 S	12/2013	Leh et al.	
D366,408 S	1/1996	Sessions et al.		D696,919 S	1/2014	Leh et al.	
5,495,670 A	3/1996	Quinn		D696,920 S	1/2014	Cagampang et al.	
D368,951 S *	4/1996	Buck	D22/118	D699,315 S	2/2014	Seeds et al.	
5,511,310 A	4/1996	Sessions et al.		D700,675 S	3/2014	Seeds et al.	
5,528,834 A *	6/1996	Seber	B25G 1/102 30/340	D704,009 S	5/2014	Wandrup	
				D708,476 S	7/2014	Wandrup	
D374,597 S	10/1996	Birkholz et al.		D708,477 S	7/2014	Wandrup	
5,575,070 A	11/1996	Anderson		D708,488 S	7/2014	Wandrup	
D383,370 S	9/1997	Chen et al.		D709,982 S	7/2014	Freeman et al.	
D410,189 S	5/1999	Wehrs et al.		D709,983 S	7/2014	Cagampang	
D413,503 S	9/1999	Dugdale		D716,127 S	10/2014	Leh et al.	
D416,973 S	11/1999	Ahlund		8,893,389 B2	11/2014	Freeman	
D439,495 S *	3/2001	McCalla	D22/118	D720,969 S	1/2015	Lipscomb et al.	
D519,798 S	5/2006	Dallas		8,959,780 B2	2/2015	Masalin et al.	
D519,818 S	5/2006	Knopow et al.		D724,312 S *	3/2015	Wikstrom	D3/220
D553,468 S	10/2007	Freeman		D737,110 S	8/2015	Schuft	
D567,033 S	4/2008	Seidenfaden		9,144,201 B2	9/2015	Vanttila et al.	
D568,695 S	5/2008	Seidenfaden		D741,680 S	10/2015	Hunter et al.	
D581,241 S	11/2008	Freeman		9,174,348 B2	11/2015	Savolainen et al.	
D582,243 S	12/2008	Freeman et al.		D744,299 S	12/2015	Lipscomb et al.	
D582,747 S	12/2008	Freeman et al.		D744,793 S	12/2015	Lipscomb et al.	
D610,646 S	2/2010	Harsey, Jr. et al.		D746,585 S	1/2016	Burge et al.	
D614,933 S	5/2010	Freeman et al.		D747,160 S	1/2016	Makela	
D631,292 S	1/2011	Bodum		D747,161 S	1/2016	Makela	
D636,051 S	4/2011	Freeman et al.		D749,392 S	2/2016	Salojarvi et al.	
D636,052 S	4/2011	Freeman et al.		D749,917 S	2/2016	Roberts et al.	
D636,053 S	4/2011	Freeman et al.		9,296,116 B2	3/2016	Descombes et al.	
D638,903 S *	5/2011	Norling	D22/118	D784,007 S *	4/2017	Sokka	D3/220
D638,904 S	5/2011	Freeman et al.		9,770,837 B2 *	9/2017	Heine	B26B 29/025
D639,632 S	6/2011	Freeman et al.		D809,863 S	2/2018	Yamada	
				D814,886 S	4/2018	McMahon	
				2006/0080840 A1	4/2006	Freeman	

* cited by examiner

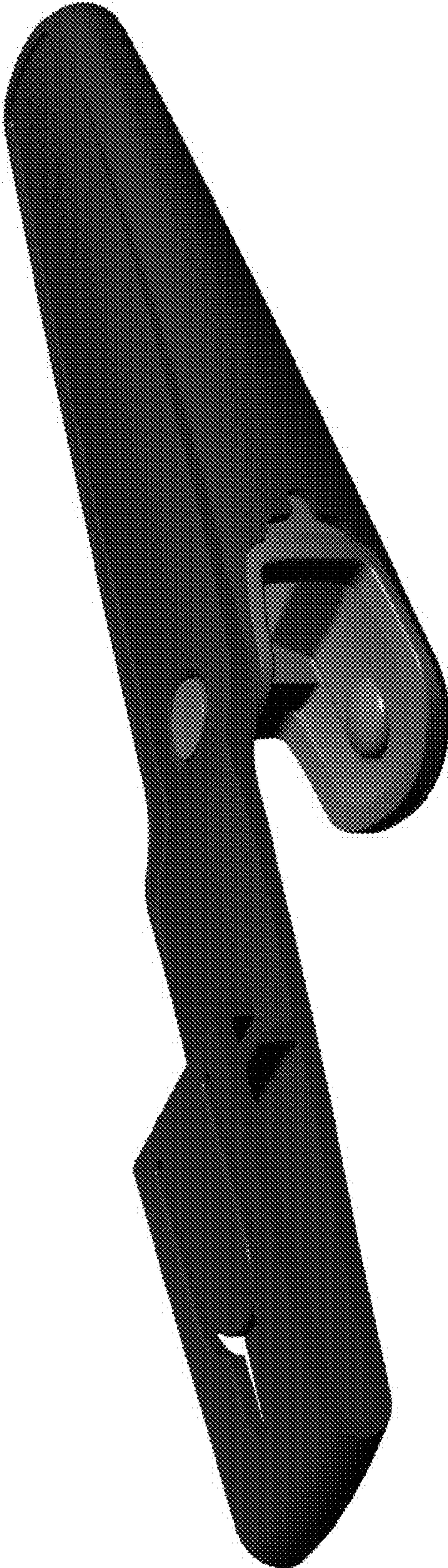


FIG. 1

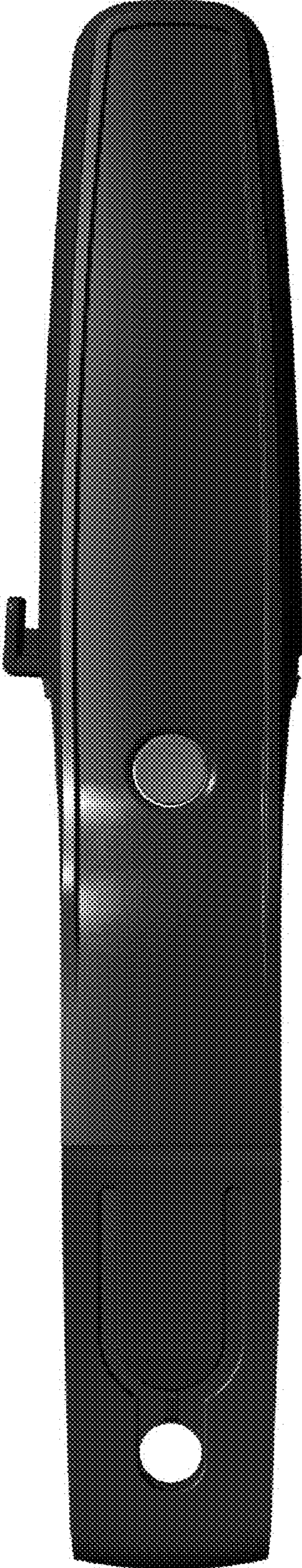


FIG. 2



FIG. 3

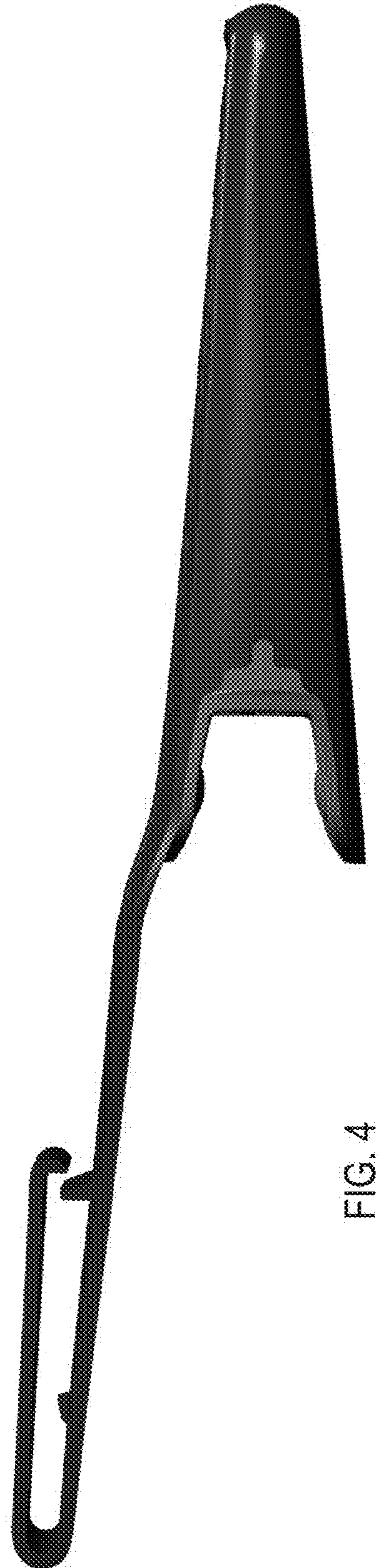


FIG. 4



FIG. 5



FIG. 6

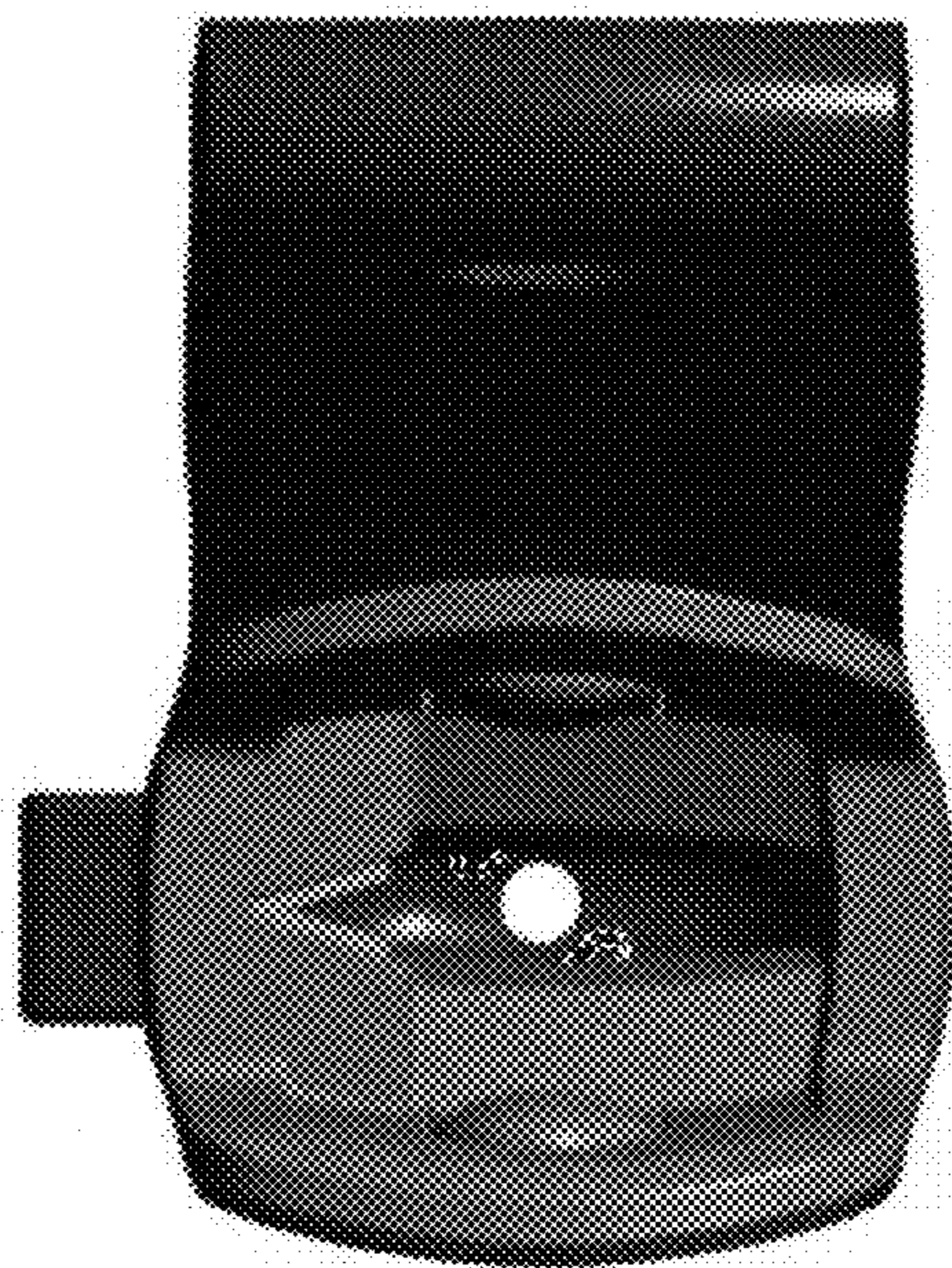


FIG. 7

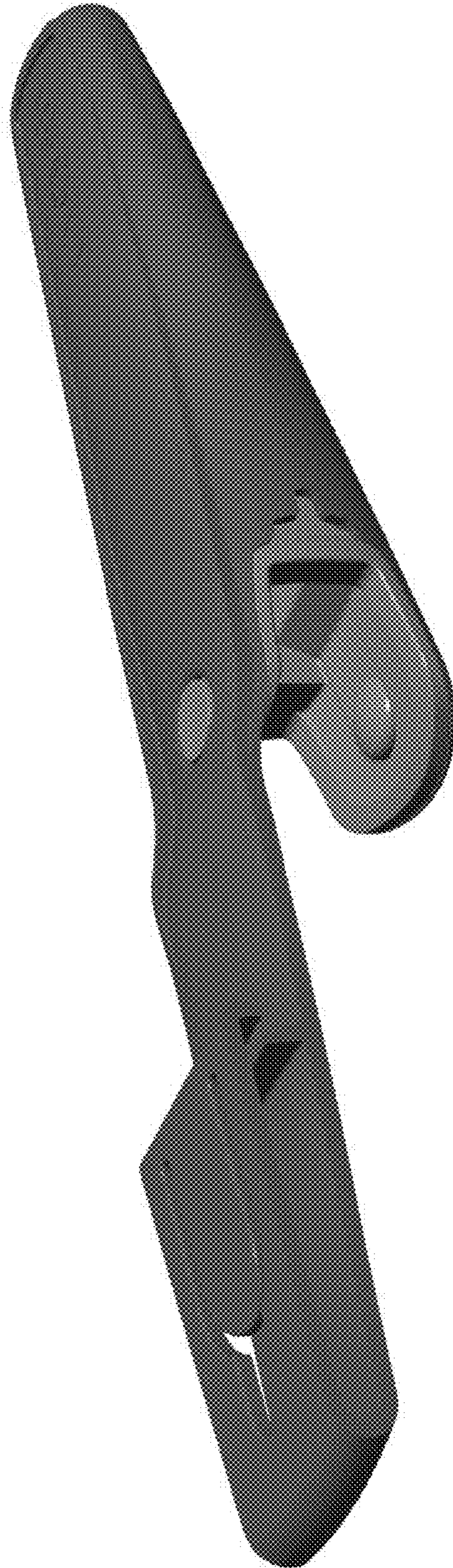


FIG. 8

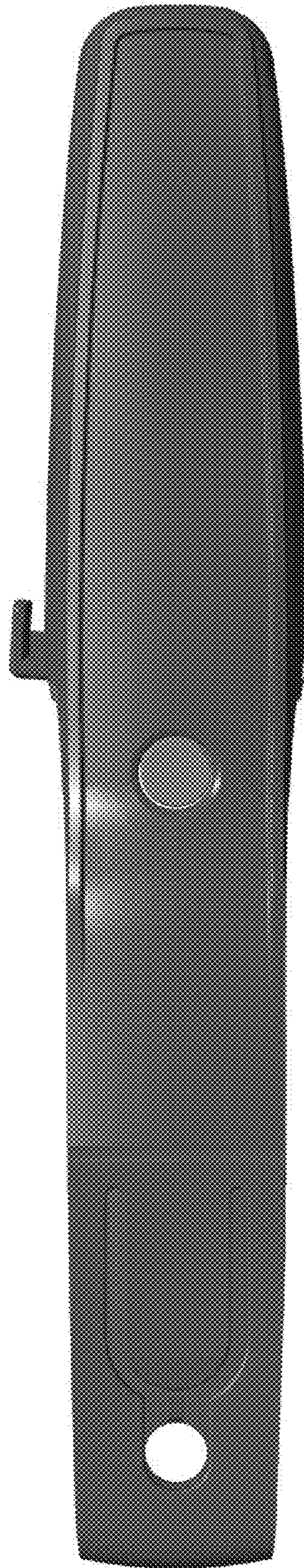


FIG. 9



FIG. 10

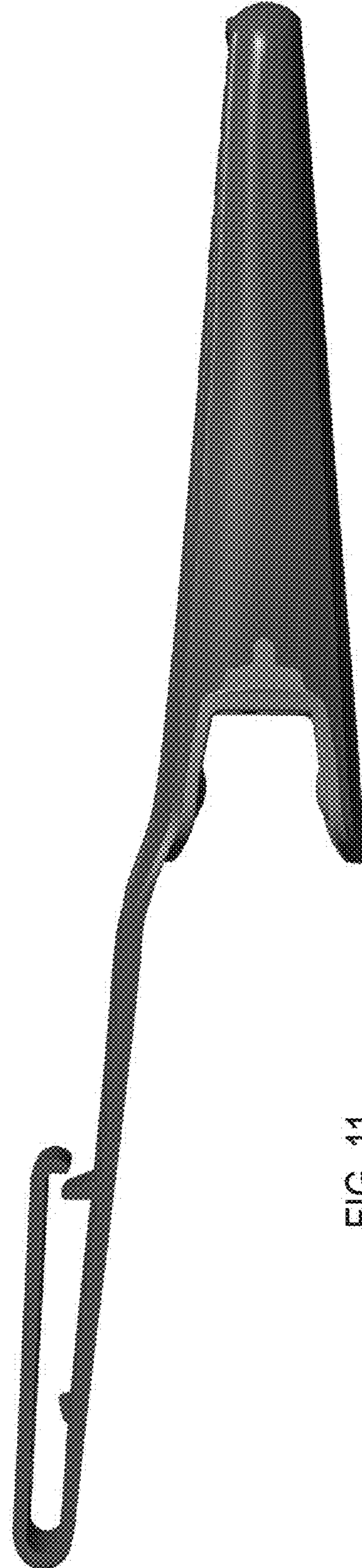


FIG. 11

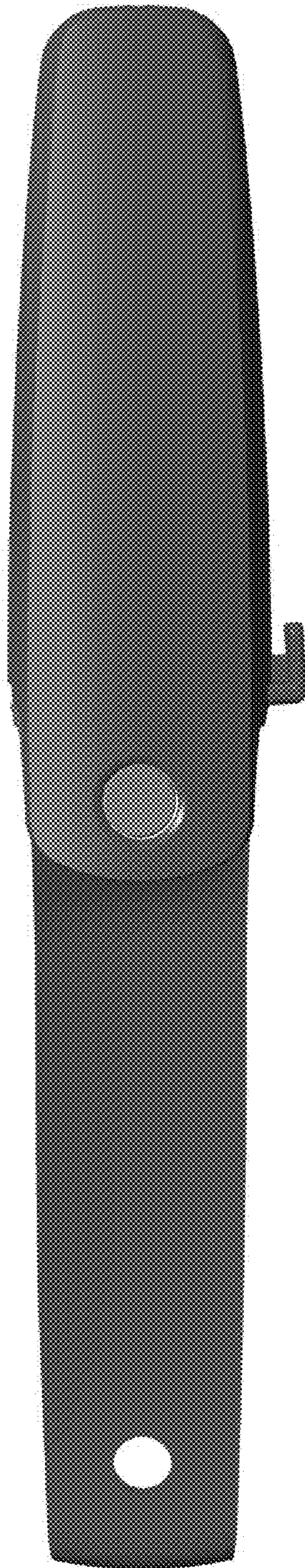


FIG. 12



FIG. 13

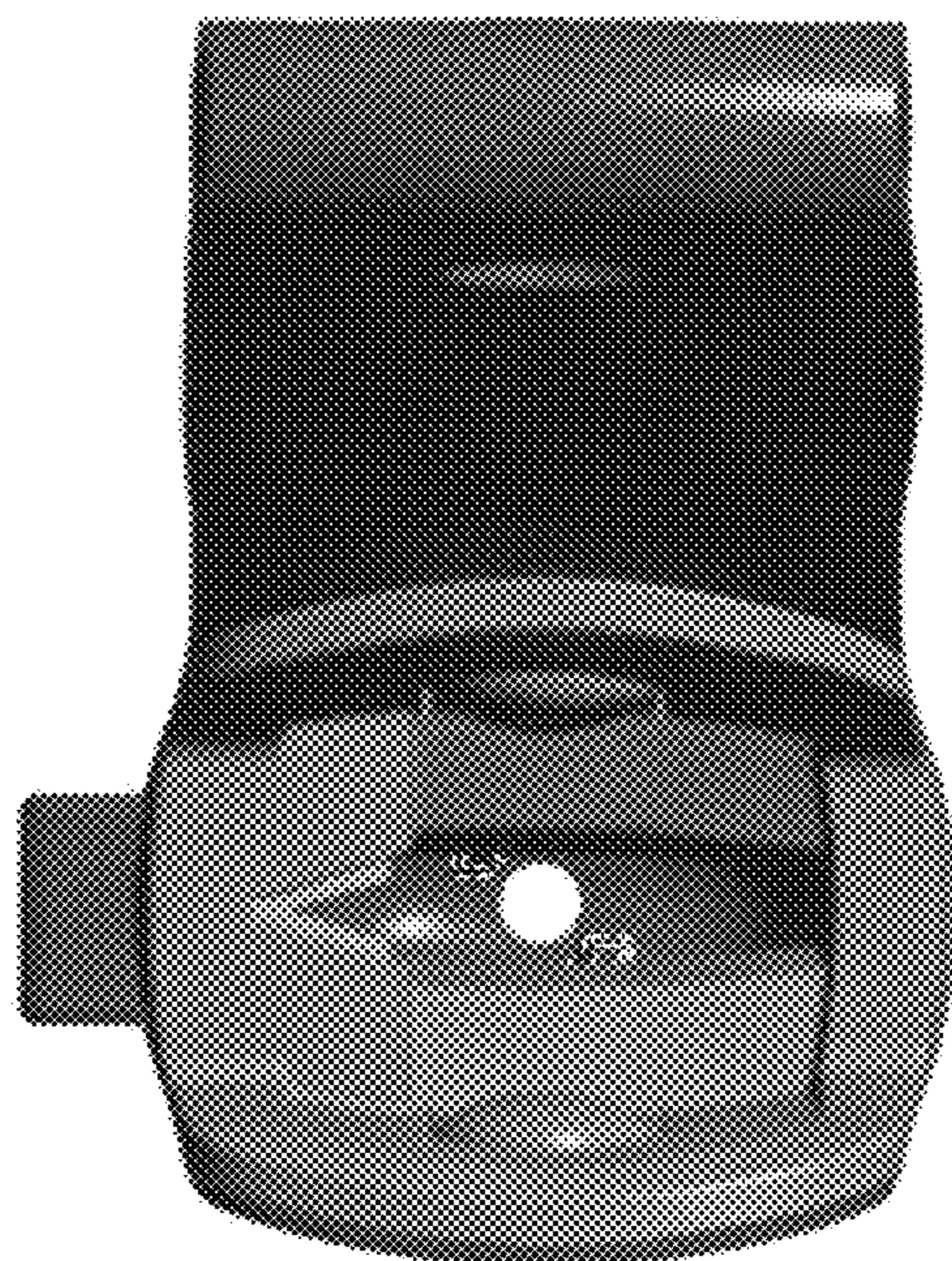


FIG. 14

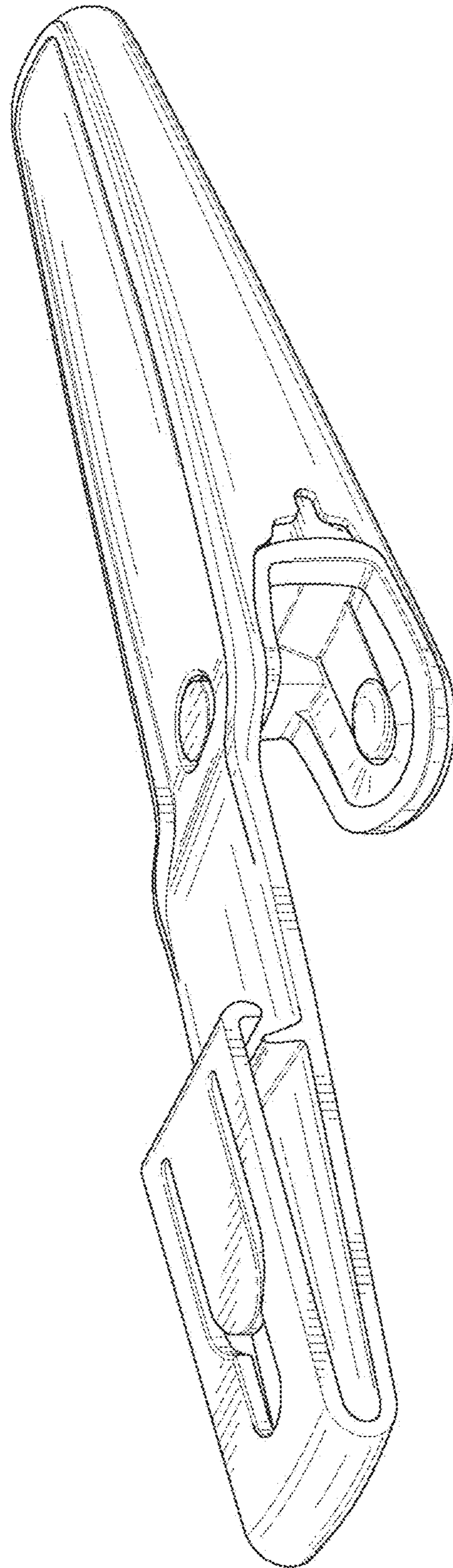


FIG. 15

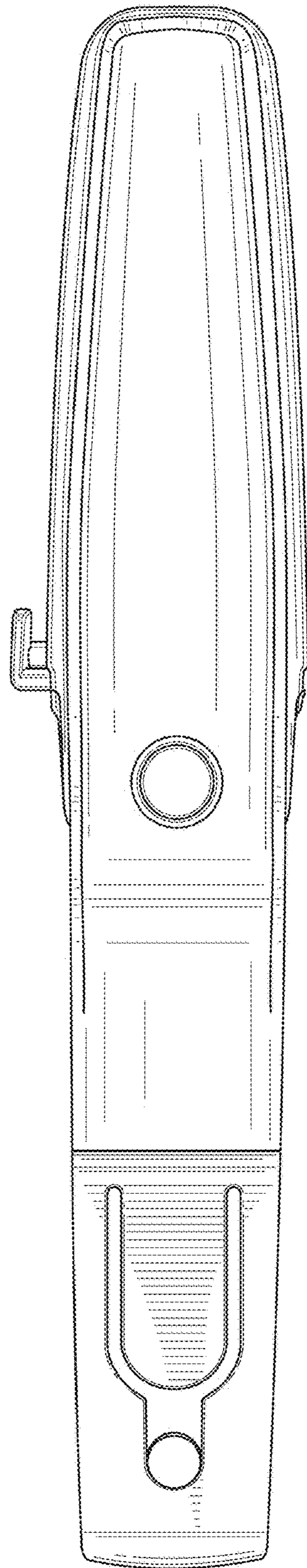
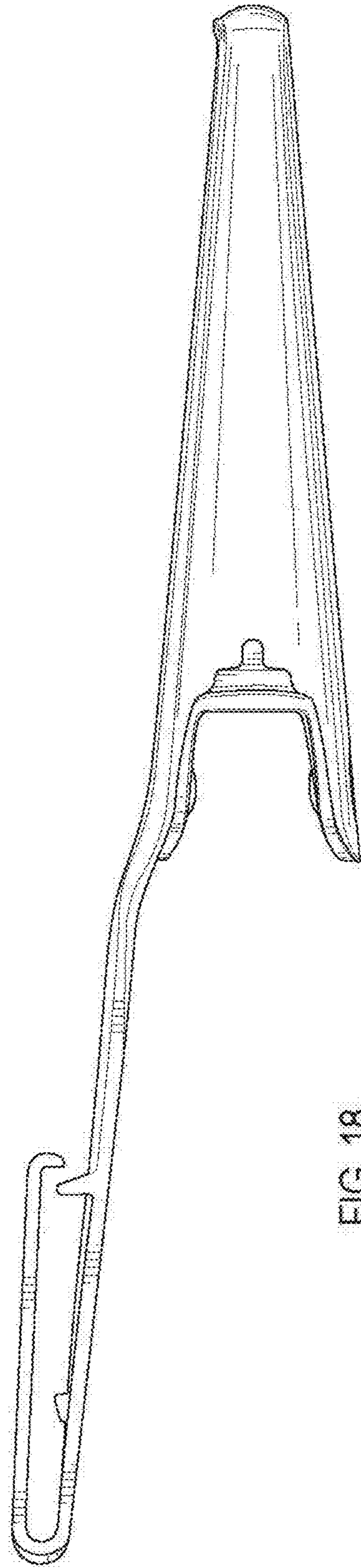
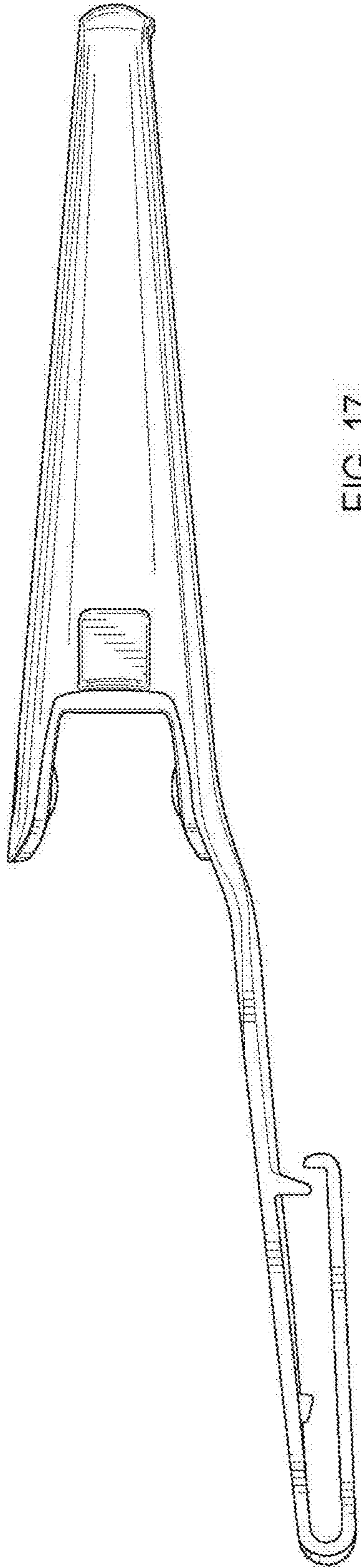


FIG. 16



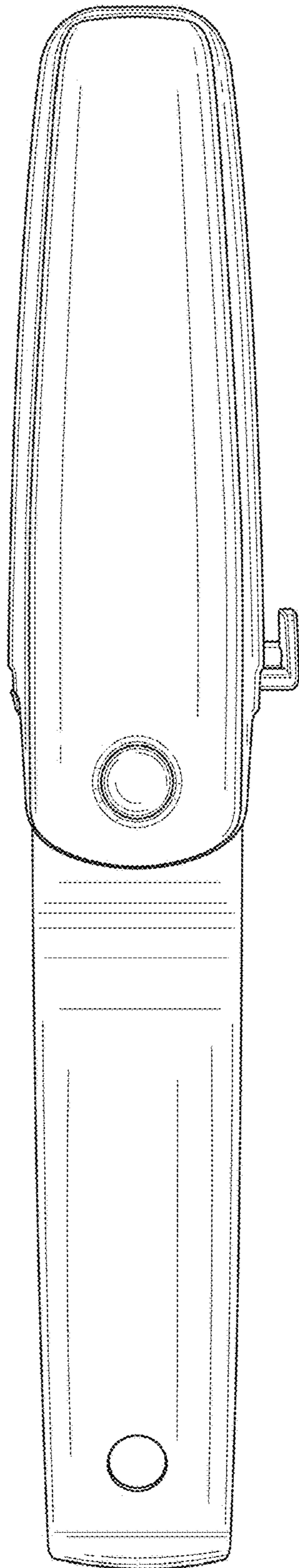


FIG. 19

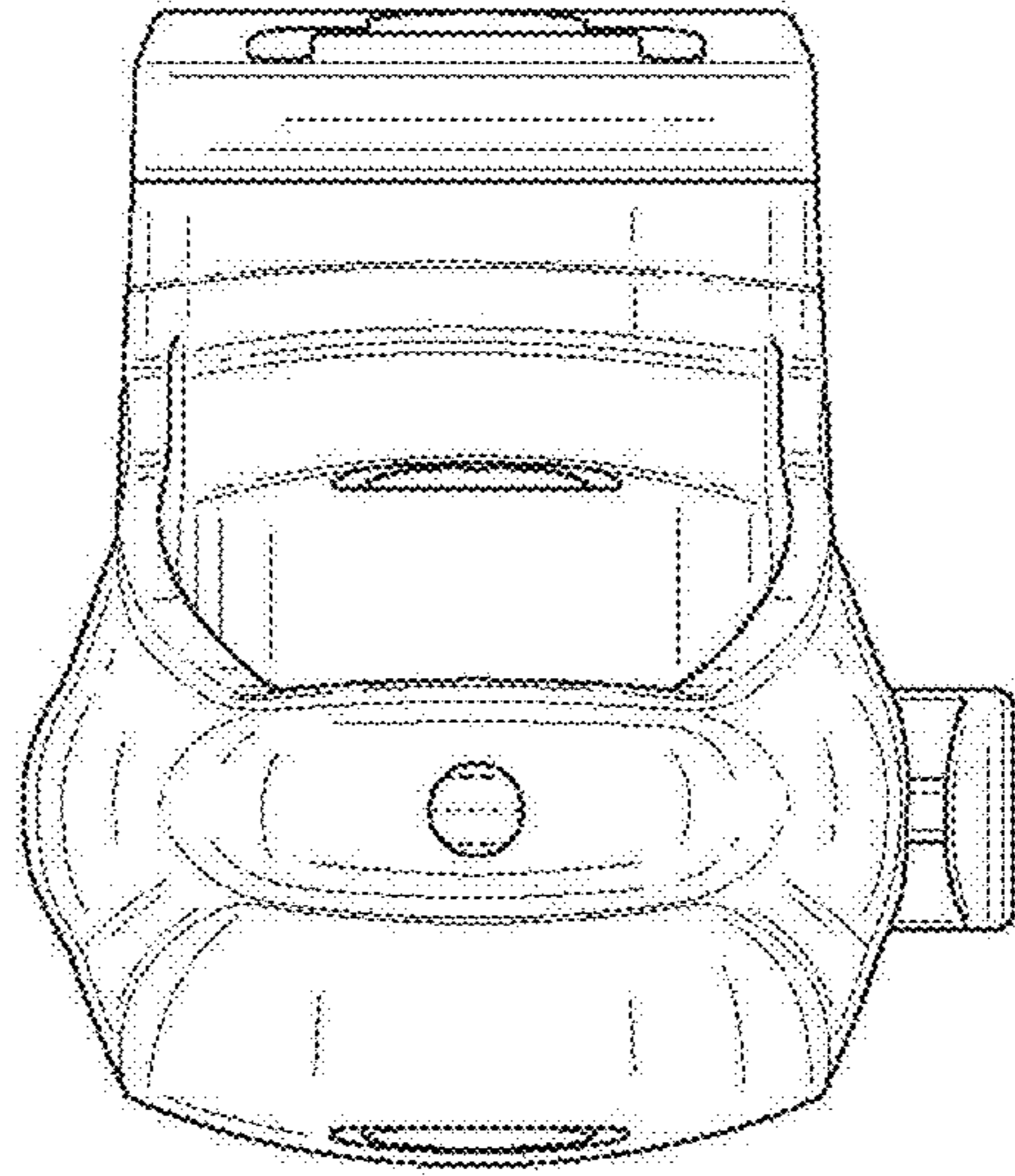


FIG. 20

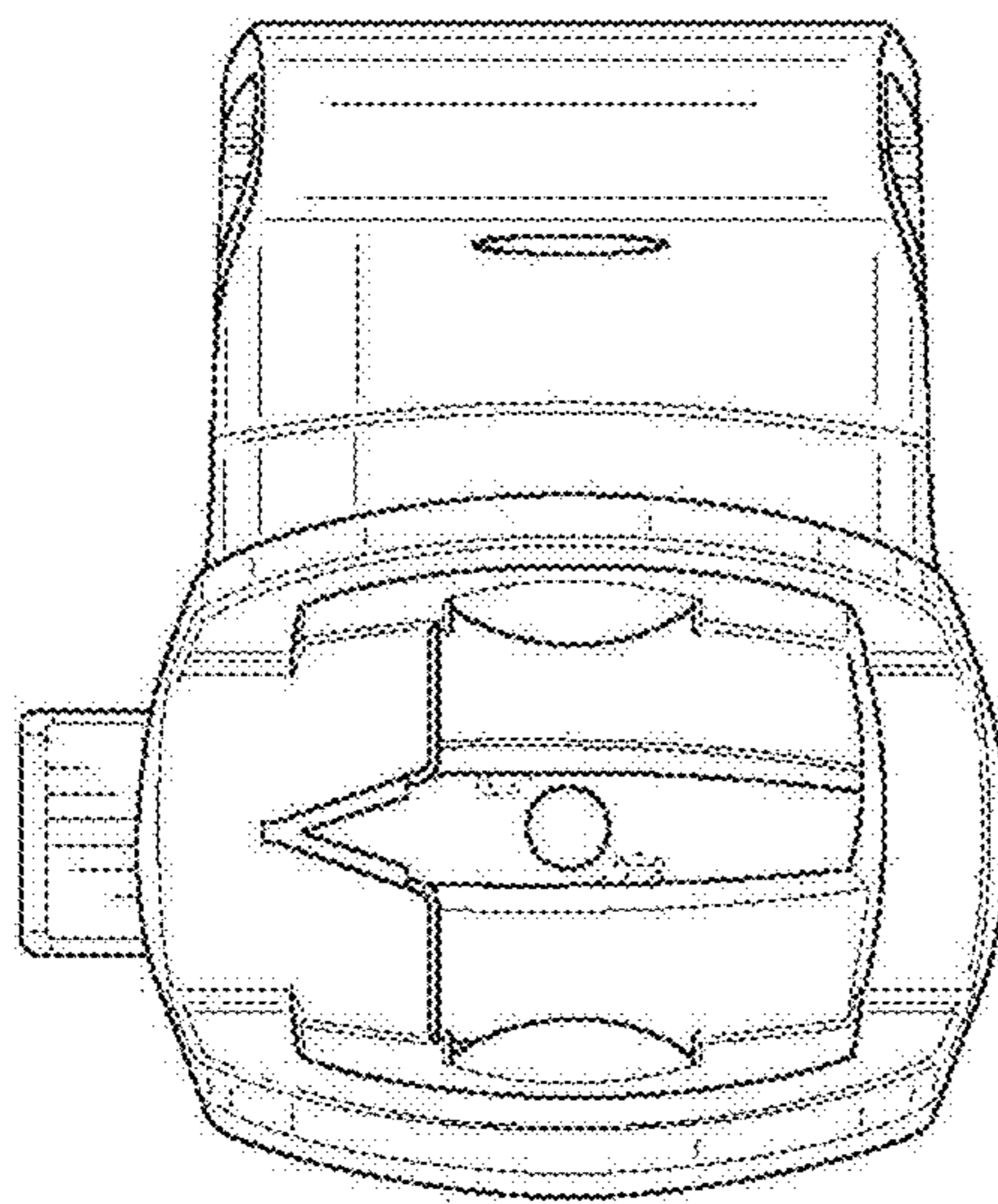


FIG. 21