



US00D849874S

(12) **United States Design Patent** (10) **Patent No.:** **US D849,874 S**  
**Peterson et al.** (45) **Date of Patent:** **\*\* May 28, 2019**

(54) **MUZZLELOADER PROPELLANT CARTRIDGE**  
(71) Applicant: **Vista Outdoor Operations LLC**, Anoka, MN (US)  
(72) Inventors: **Bryan P. Peterson**, Isanti, MN (US); **David M. Laska**, Andover, MN (US); **Matthew S. Schroeder**, Princeton, MN (US); **Adam J. Moser**, Big Lake, MN (US); **Erik K. Carlson**, Oak Grove, MN (US)

1,528,101 A 3/1925 Davison et al.  
1,559,183 A 10/1925 Rimailho  
1,850,034 A 3/1932 Samaia  
1,944,884 A 1/1934 Gerlich  
1,944,885 A 1/1934 Gerlich  
2,041,253 A \* 5/1936 Leussler ..... F42B 5/26  
102/464  
2,336,065 A \* 12/1943 Cadham ..... F42B 7/12  
102/463  
D138,288 S 7/1944 Clair  
2,383,053 A 8/1945 Fanger et al.  
2,389,846 A 11/1945 Ericson  
2,424,934 A 7/1947 Kasper  
(Continued)

(73) Assignee: **Vista Outdoor Operations LLC**, Anoka, MN (US)

(\*\*) Term: **15 Years**

(21) Appl. No.: **29/634,368**

(22) Filed: **Jan. 21, 2018**

(51) **LOC (11) Cl.** ..... **22-03**

(52) **U.S. Cl.**  
USPC ..... **D22/116; D22/112**

(58) **Field of Classification Search**  
USPC ..... D21/301, 304, 567, 570, 571, 573, 574, D21/575, 746; D22/100, 101, 102, 103, D22/106, 107, 108, 109, 110, 111, 112, D22/115, 116, 199  
CPC ..... F41A 3/26; F41A 3/12; F41A 5/02; F41A 17/22; F41B 5/143; F41B 5/14; F41B 5/066; F41B 7/08; F41B 5/1446; F41B 5/148; F41B 5/1465; F42B 6/04; F42B 6/08; F42B 6/02; F42B 6/06; F42B 12/362; F41C 23/16; F41C 27/00; F41C 7/00; F41G 11/003; F41G 11/001; F41G 11/004; F41G 11/005; A63H 5/04  
See application file for complete search history.

(56) **References Cited**

**U.S. PATENT DOCUMENTS**

123,352 A 2/1872 Milbank  
1,074,201 A 9/1913 Quisling

**OTHER PUBLICATIONS**

“Golden Bear Shotgun Ammunition .410 Bore, 3”, #4 Buck” [online]. cheaperthandirt.com. [Retrieved on Dec. 17, 2018]. Retrieved from the Internet: <<https://www.cheaperthandirt.com/product/golden-bear-shotshell-ammunition-410-bore-3-4-shot-5-8-ounce-shot-brass-plated-steel-case-5-round-box-4607094861164.do>>.\*

*Primary Examiner* — Khawaja Anwar

*Assistant Examiner* — Mojtaba Tehrani

(74) *Attorney, Agent, or Firm* — Christensen, Fonder, Dardi & Herbert PLLC

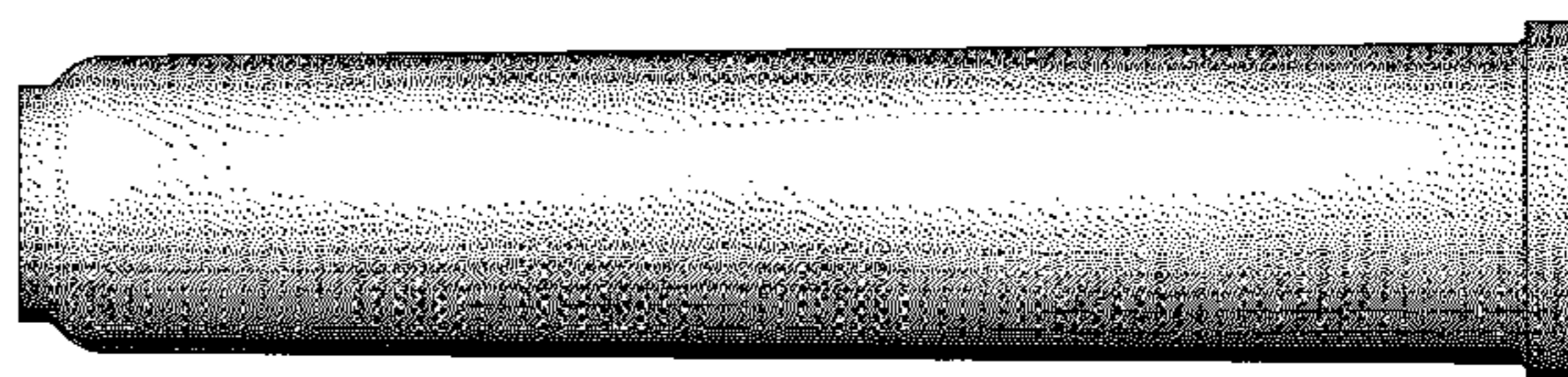
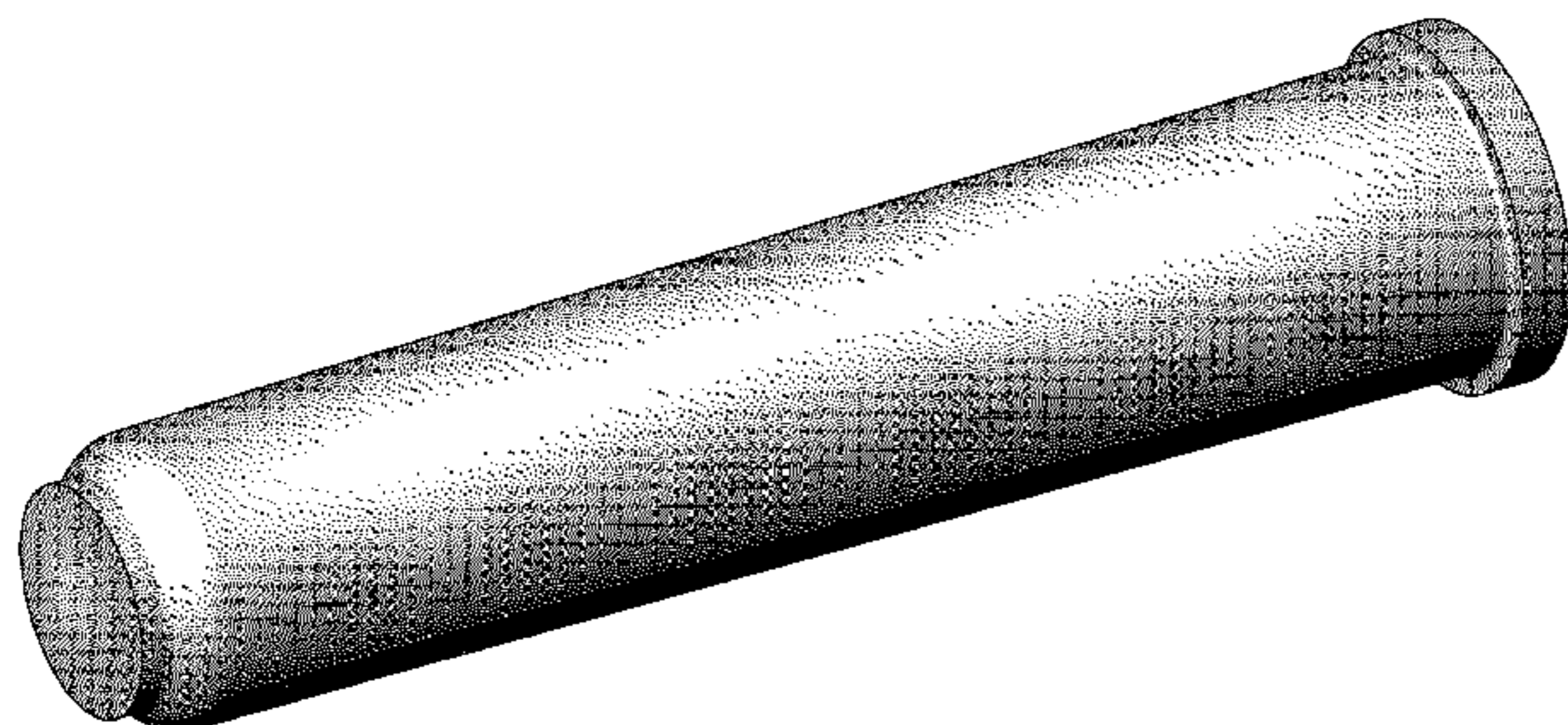
(57) **CLAIM**

The ornamental design for a muzzleloader propellant cartridge, as shown and described.

**DESCRIPTION**

FIG. 1 is a perspective view of a muzzleloader propellant cartridge, showing our new design; FIG. 2 is a perspective view thereof; and, FIG. 3 is a front side view thereof; the rear side view, the right side view, and the left side view being identical thereto. Subject matter indicated with broken lines forms no part of the claimed design.

**1 Claim, 3 Drawing Sheets**





(56)

References Cited

U.S. PATENT DOCUMENTS

2,654,319 A	10/1953	Roske		D271,609 S	11/1983	Brown	
2,683,416 A	7/1954	Keller et al.		4,437,249 A	3/1984	Brown et al.	
2,862,446 A	12/1958	Ringdal		4,503,777 A	3/1985	Young	
2,911,911 A	11/1959	White		4,517,897 A	5/1985	Kneubühl	
2,983,224 A	5/1961	Prosen et al.		4,644,930 A	2/1987	Mainhardt	
2,987,775 A	6/1961	Albrecht et al.		4,672,076 A	6/1987	Pittz et al.	
3,026,802 A	3/1962	Barnet et al.		4,700,499 A	10/1987	Knight	
3,031,966 A	5/1962	Metzger		4,709,636 A *	12/1987	Mueller	C06B 45/12 102/282
3,098,444 A	7/1963	Walkey et al.		4,726,296 A	2/1988	Leshner et al.	
3,099,958 A	8/1963	Daubenspeck et al.		4,742,776 A	5/1988	Scuto	
3,138,102 A	6/1964	Meyer et al.		4,759,885 A	7/1988	Kurtz	
3,144,827 A	8/1964	Boutwell		4,811,666 A	3/1989	Lutfy	
3,164,092 A	1/1965	Reed et al.		4,815,682 A	3/1989	Feldmann et al.	
3,187,633 A	6/1965	Tanabe		4,918,849 A	4/1990	Spota	
3,212,440 A	10/1965	Quinlan et al.		4,991,512 A *	2/1991	Van Wyk	F42B 7/12 102/462
3,235,996 A	2/1966	Maillard		5,033,386 A *	7/1991	Vatsvog	F42B 5/307 102/430
3,311,057 A	3/1967	Quinlan et al.		5,121,692 A	6/1992	DiCarlo	
3,336,871 A	8/1967	Quinlan		5,127,179 A	7/1992	Marsh	
3,348,445 A	10/1967	Nadel		5,151,555 A	9/1992	Vatsvog	
3,349,711 A	10/1967	Darigo et al.		5,165,040 A *	11/1992	Andersson	F42B 5/29 102/430
3,396,658 A	8/1968	Scanlon, Jr. et al.		5,206,445 A	4/1993	Cornley et al.	
3,424,089 A	1/1969	Humpherson		5,221,809 A	6/1993	Cuadros	
3,482,516 A	12/1969	Farmer et al.		5,259,288 A *	11/1993	Vatsvog	F42B 5/307 102/430
3,553,804 A	1/1971	Kopsch et al.		5,307,583 A	5/1994	Mahn et al.	
3,559,581 A *	2/1971	Kriz	B29C 45/26 102/467	5,313,732 A	5/1994	Peifer	
3,583,087 A	6/1971	Huebner		5,323,707 A	6/1994	Norton et al.	
3,598,052 A	8/1971	Schwartz et al.		5,333,403 A	8/1994	Peifer	
3,628,225 A	12/1971	Parker		5,339,743 A	8/1994	Scarlata	
3,641,936 A	2/1972	Barnett		5,375,358 A	12/1994	Riness et al.	
3,658,008 A	4/1972	Larson		5,388,522 A	2/1995	Martwick et al.	
3,726,231 A	4/1973	Kelly et al.		5,404,815 A	4/1995	Reed	
3,732,819 A	5/1973	Quinlan et al.		5,408,776 A	4/1995	Mahn et al.	
3,745,924 A *	7/1973	Scanlon	F42B 5/36 102/467	5,449,423 A	9/1995	Cioffe	
3,762,332 A	10/1973	Witherspoon et al.		5,454,182 A	10/1995	Lewis et al.	
3,780,464 A	12/1973	Anderson		5,458,064 A	10/1995	Kearns	
3,782,286 A	1/1974	Jones et al.		5,465,665 A	11/1995	Diehl	
3,786,755 A *	1/1974	Eckstein	B29C 33/0033 102/467	5,487,232 A	1/1996	Osborne et al.	
3,820,465 A	6/1974	Delphia		5,511,334 A	4/1996	Ball et al.	
3,842,739 A	10/1974	Scanlon et al.		5,544,441 A	8/1996	Mahn et al.	
3,874,294 A	4/1975	Hale		5,557,151 A	9/1996	Epstein et al.	
3,897,527 A	7/1975	Ringdal		5,561,934 A	10/1996	Knight	
3,901,153 A	8/1975	Brabets et al.		5,621,187 A	4/1997	Kearns	
3,911,824 A	10/1975	Barr et al.		5,623,779 A	4/1997	Rainey, III	
3,935,816 A	2/1976	Boquette, Jr.		5,633,476 A	5/1997	Cioffe	
3,955,506 A	5/1976	Luther et al.		5,639,981 A	6/1997	French	
3,972,286 A *	8/1976	Canon	F42B 7/04 102/438	5,642,583 A	7/1997	Ball et al.	
3,977,326 A *	8/1976	Anderson	F42B 5/307 102/467	5,651,203 A	7/1997	Knight	
3,983,817 A	10/1976	Tucker		5,654,524 A	8/1997	Saxby	
3,987,731 A	10/1976	Brzuskiwicz		5,706,598 A	1/1998	Johnston	
3,990,366 A *	11/1976	Scanlon	F42B 5/26 102/467	5,718,073 A	2/1998	Sachse et al.	
4,020,763 A	5/1977	Iruretagoyena		5,726,378 A	3/1998	Barrett	
4,054,637 A	10/1977	Gruaz		5,737,863 A	4/1998	Rainey, III	
4,065,866 A	1/1978	Eguizabal		5,755,053 A	5/1998	Oakley	
4,114,303 A	9/1978	Vaughn		5,777,256 A	7/1998	Simon et al.	
4,123,866 A	11/1978	Wiethoff		5,822,904 A	10/1998	Beal	
4,126,954 A	11/1978	Plummer		5,831,204 A	11/1998	Lübben et al.	
4,136,616 A	1/1979	Schirneker		5,844,162 A	12/1998	Renner	
4,137,663 A	2/1979	Farber		5,913,256 A	6/1999	Lowden et al.	
4,140,058 A	2/1979	Ballreich et al.		6,012,394 A	1/2000	Dion et al.	
4,147,107 A	4/1979	Ringdal		6,085,454 A	7/2000	Caudle	
4,207,698 A	6/1980	Burson		6,105,506 A	8/2000	Gangale	
4,215,502 A	8/1980	Loven		6,145,235 A	11/2000	Emerson et al.	
4,227,330 A *	10/1980	Chapin	F41A 21/12 42/51	6,176,030 B1	1/2001	Ball	
4,232,468 A	11/1980	Chapin		6,186,072 B1	2/2001	Hickerson, Jr. et al.	
4,239,006 A	12/1980	Kelson		6,189,253 B1	2/2001	Knight et al.	
4,338,862 A	7/1982	Kwatnoski et al.		6,216,380 B1	4/2001	McGrity, Jr. et al.	
4,356,769 A	11/1982	Galluzzi		6,314,670 B1	11/2001	Rodney, Jr.	
				6,334,394 B1	1/2002	Zimmermann et al.	
				6,385,887 B1	5/2002	Johnston	
				6,405,654 B1	6/2002	Smith	
				6,688,232 B2	2/2004	Griesbach et al.	
				6,752,084 B1	6/2004	Husseini et al.	
				6,782,830 B1	8/2004	Candland et al.	
				6,796,068 B2	9/2004	Crowson et al.	

(56)

References Cited

U.S. PATENT DOCUMENTS

6,845,716 B2	1/2005	Husseini et al.		2002/0121211 A1*	9/2002	Smalley, Jr. ....	F41A 21/12 102/430
6,877,415 B2	4/2005	Griesbach et al.		2002/0129531 A1	9/2002	Camp	
6,895,865 B2	5/2005	Bond		2002/0134273 A1	9/2002	Mihaylov et al.	
7,059,074 B1	6/2006	Calvete Zumalde		2004/0144457 A1	7/2004	Barrett et al.	
7,059,234 B2*	6/2006	Husseini .....	F42B 5/02 86/55	2005/0005807 A1	1/2005	Wiley et al.	
7,137,218 B1	11/2006	Adkins, Jr.		2005/0016050 A1	1/2005	Howell, Jr.	
7,201,104 B2	4/2007	McMurray et al.		2005/0183318 A1	8/2005	McGivern	
7,219,607 B2	5/2007	Oertwig		2005/0257711 A1*	11/2005	Husseini .....	F42B 5/30 102/466
D566,805 S	4/2008	Earl		2006/0011086 A1	1/2006	Rose et al.	
7,380,505 B1	6/2008	Shiery		2006/0027128 A1	2/2006	Hober	
7,402,336 B2	7/2008	Yokoyama et al.		2006/0027130 A1	2/2006	Parker	
7,451,705 B2	11/2008	Fry		2006/0027131 A1	2/2006	Byer	
7,621,064 B2	11/2009	Laney et al.		2006/0086029 A1	4/2006	Kirkpatrick	
7,726,245 B2	6/2010	Quesenberry et al.		2006/0169164 A1	8/2006	Brus et al.	
D625,380 S	10/2010	Walter et al.		2006/0230971 A1	10/2006	Harrison	
7,877,919 B2	2/2011	Richards		2007/0044644 A1	3/2007	Husseini	
8,132,348 B1	3/2012	Post		2008/0282596 A1	11/2008	Deleeuw	
D664,042 S *	7/2012	Kurpis .....	D22/116	2010/0126370 A1	5/2010	O'Dwyer	
D723,653 S *	3/2015	Peterson .....	D22/112	2010/0275487 A1	11/2010	Quesenberry et al.	
9,146,086 B2	9/2015	Peterson et al.		2011/0296729 A1	12/2011	Overstreet	
D754,223 S *	4/2016	Pederson .....	D15/90	2012/0090492 A1	4/2012	Rebar	
9,329,003 B2	5/2016	Peterson et al.		2012/0180687 A1*	7/2012	Padgett .....	F42B 5/313 102/466
9,562,754 B2	2/2017	Peterson et al.		2012/0260814 A1	10/2012	Worrell et al.	
D813,975 S *	3/2018	White .....	D22/116	2014/0090284 A1	4/2014	Peterson et al.	
D829,994 S *	10/2018	Liu .....	D28/54.1	2014/0090285 A1	4/2014	Peterson et al.	
2001/0013299 A1*	8/2001	Husseini .....	F42B 5/307 102/466	2014/0130699 A1	5/2014	Peterson et al.	
2002/0035800 A1	3/2002	Lewis		2014/0190364 A1*	7/2014	Peterson .....	F42B 7/08 102/439
2002/0073595 A1	6/2002	Di Pietro		2014/0318402 A1	10/2014	Carlson et al.	
				2017/0108318 A1*	4/2017	Moser .....	F42B 7/08

\* cited by examiner



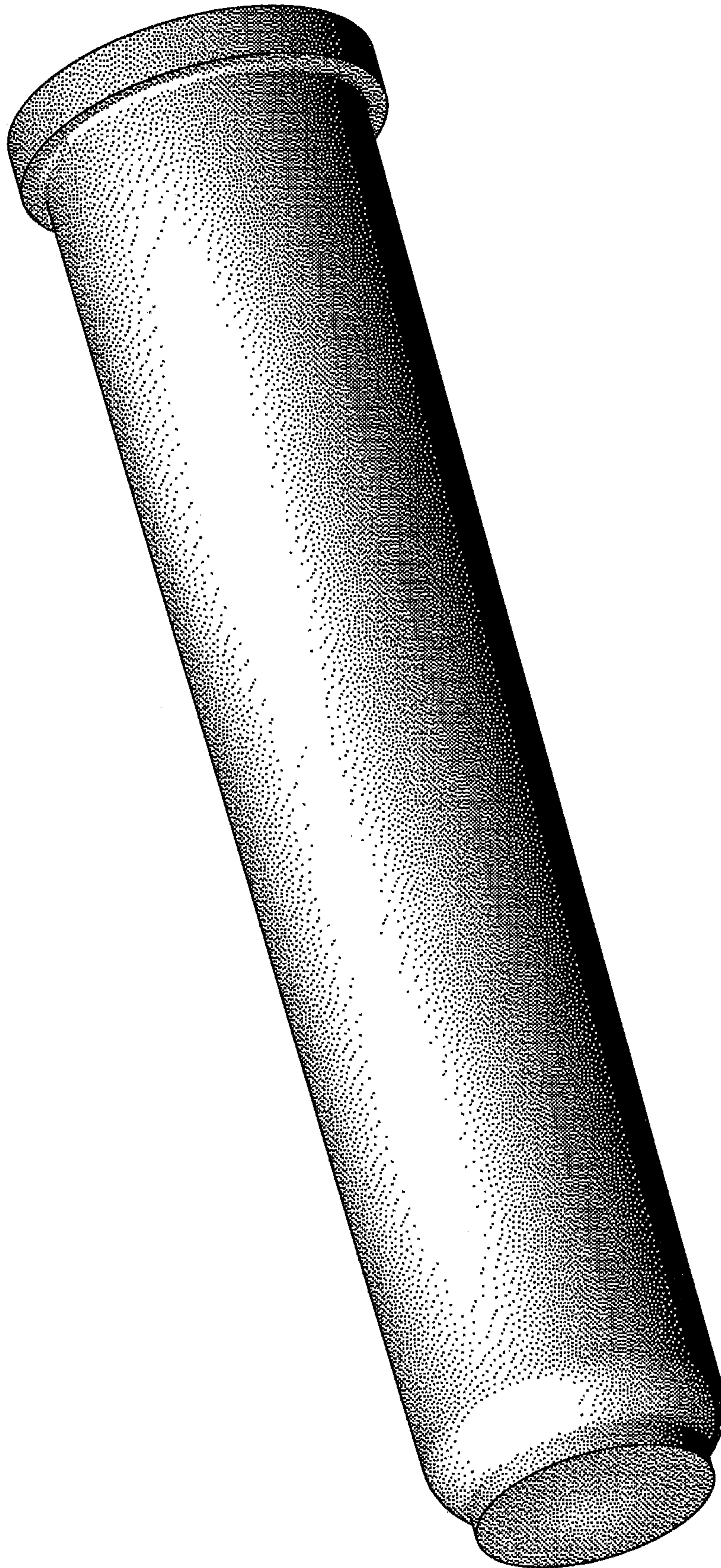


FIG. 1



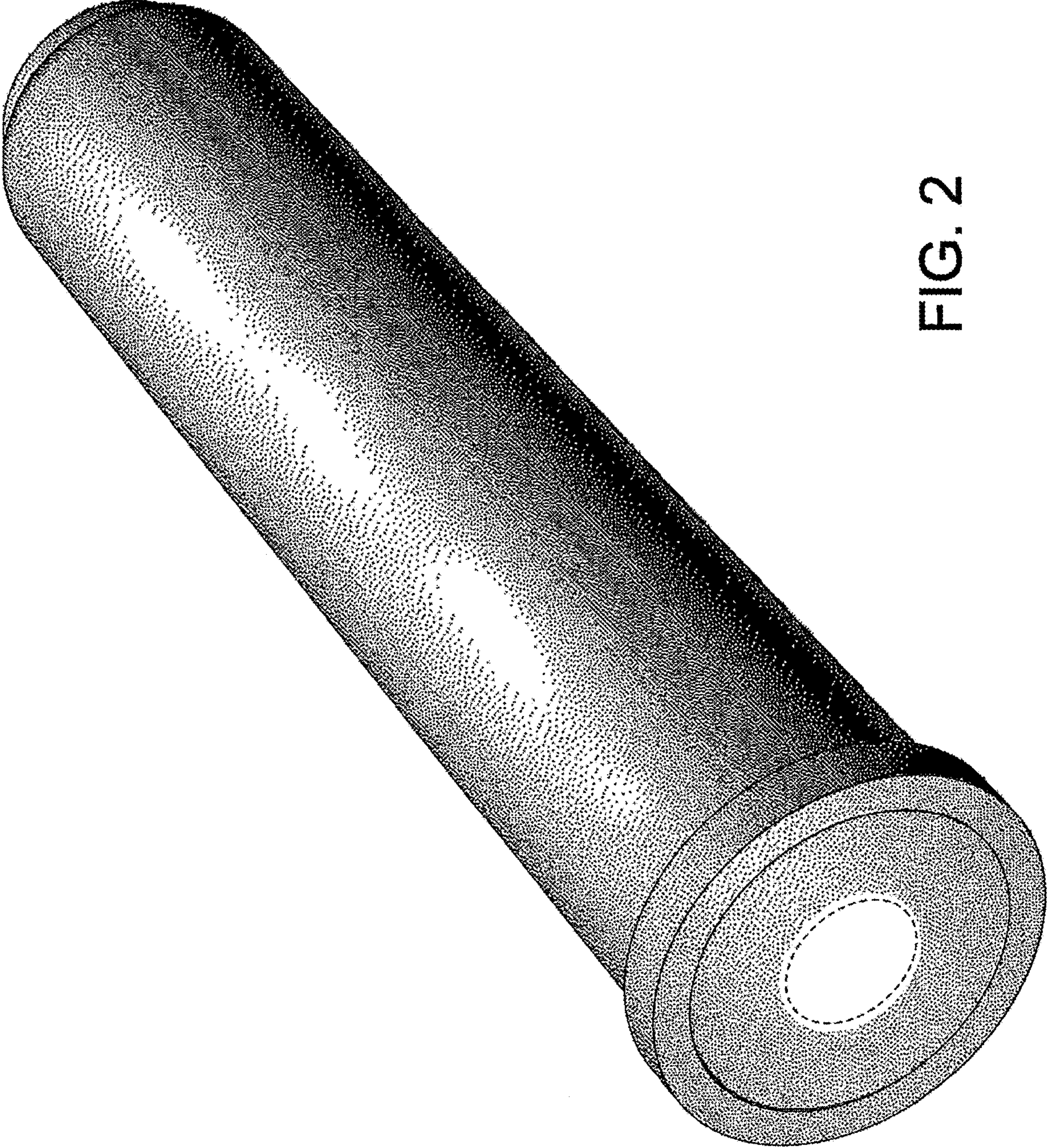


FIG. 2



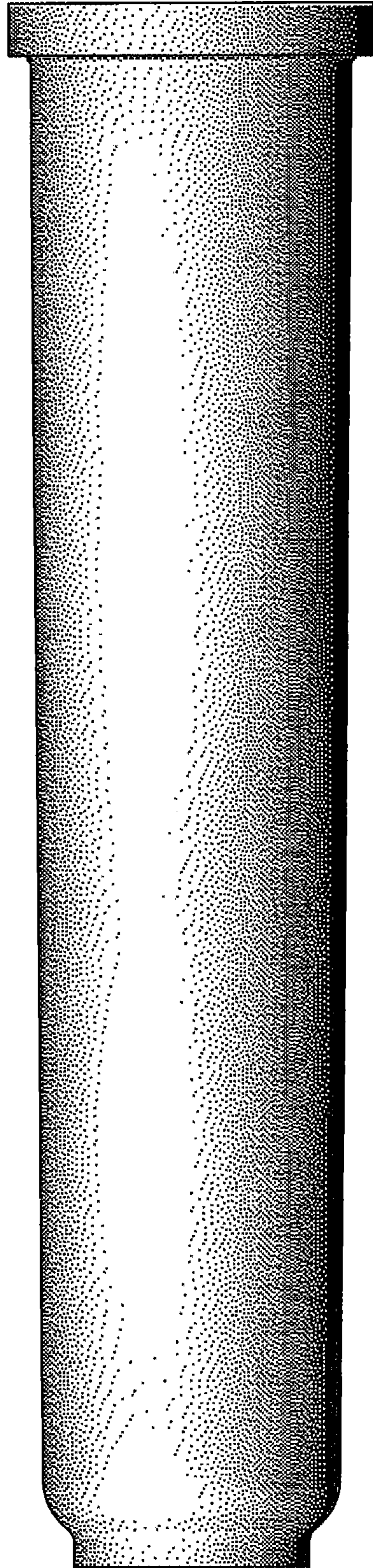


FIG. 3