



US00D849873S

(12) **United States Design Patent**  
**Betty**

(10) **Patent No.:** **US D849,873 S**

(45) **Date of Patent:** **\*\* May 28, 2019**

(54) **EXPANDABLE BROADHEAD**

(71) Applicant: **Lee Betty**, Broomfield, CO (US)

(72) Inventor: **Lee Betty**, Broomfield, CO (US)

(73) Assignee: **The Allen Company, Inc.**, Broomfield, CO (US)

(\*\*) Term: **15 Years**

(21) Appl. No.: **29/627,611**

(22) Filed: **Nov. 28, 2017**

(51) **LOC (11) Cl.** ..... **22-03**

(52) **U.S. Cl.**  
USPC ..... **D22/115; D22/107**

(58) **Field of Classification Search**

USPC ..... D21/300, 301, 304, 387, 567, 570, 571, D21/573, 574, 575, 746; D22/100, 101, D22/102, 103, 106, 107, 108, 109, 110, D22/111, 112, 199, 115

CPC ..... F41A 3/26; F41A 3/12; F41A 5/02; F41A 17/22; F41B 5/143; F41B 5/14; F41B 5/066; F41B 7/08; F41B 5/1446; F41B 5/148; F41B 5/1465; F42B 6/04; F42B 6/08; F42B 6/02; F42B 6/06; F42B 12/362; F41C 23/16; F41C 27/00; F41C 7/00; F41G 11/003; F41G 11/001; F41G 11/004; F41G 11/005; A63H 5/04

See application file for complete search history.

(56) **References Cited**

**U.S. PATENT DOCUMENTS**

5,820,498 A *	10/1998	Maleski	.....	F42B 6/08	473/584
5,871,410 A	2/1999	Simo et al.			
6,077,179 A	6/2000	Liechty, II			
6,258,000 B1	7/2001	Liechty, II			
6,283,880 B1 *	9/2001	Barrie	.....	F42B 6/08	473/584
6,306,053 B1	10/2001	Liechty, II			
6,530,853 B1 *	3/2003	Giannetti	.....	F42B 6/08	473/584

(Continued)

**OTHER PUBLICATIONS**

<https://www.amazon.com/dp/B076DPJZJR/>—Retrieved on Sep. 11, 2018.\*

(Continued)

*Primary Examiner* — Khawaja Anwar

*Assistant Examiner* — Mojtaba Tehrani

(74) *Attorney, Agent, or Firm* — Boyd D. Cox

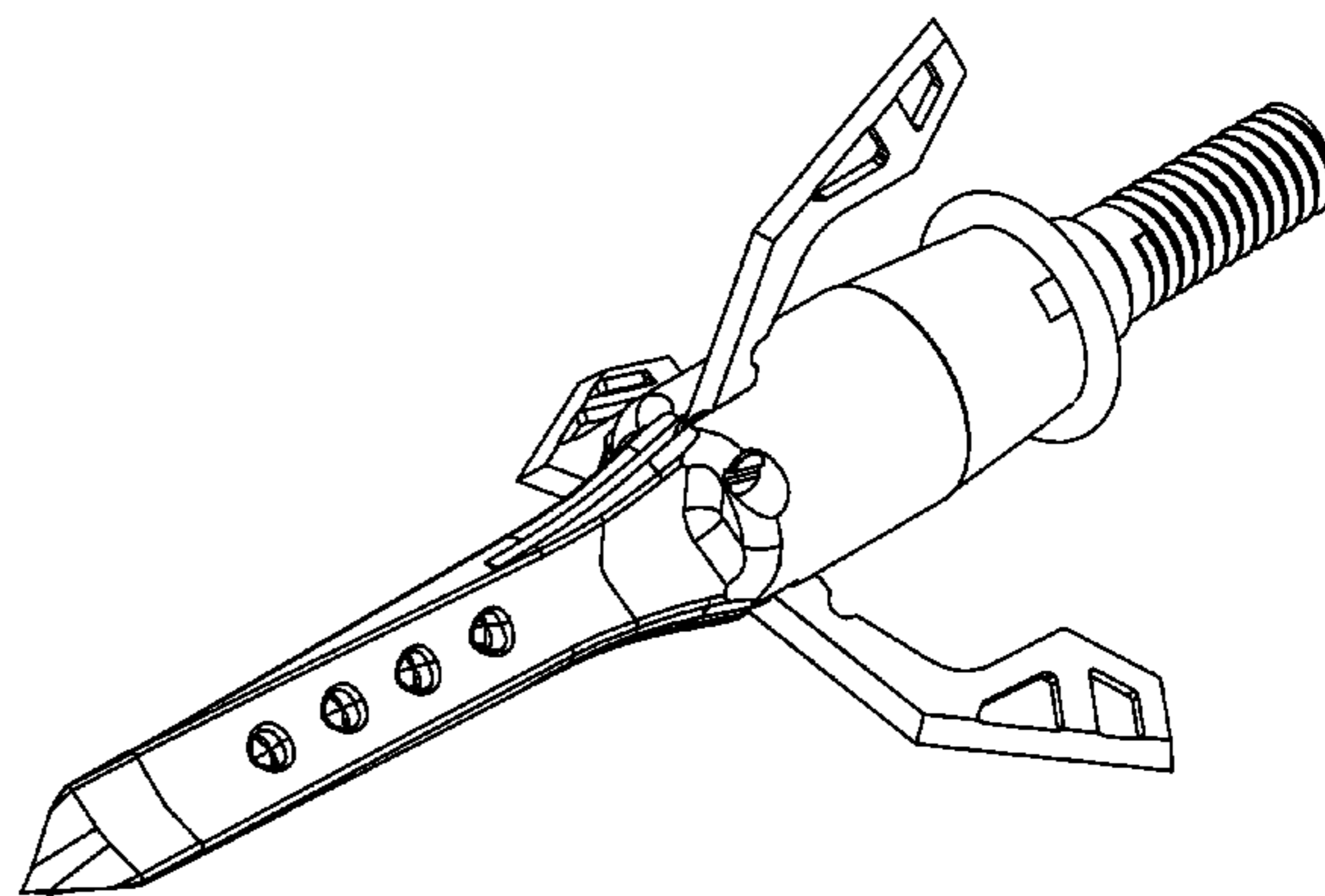
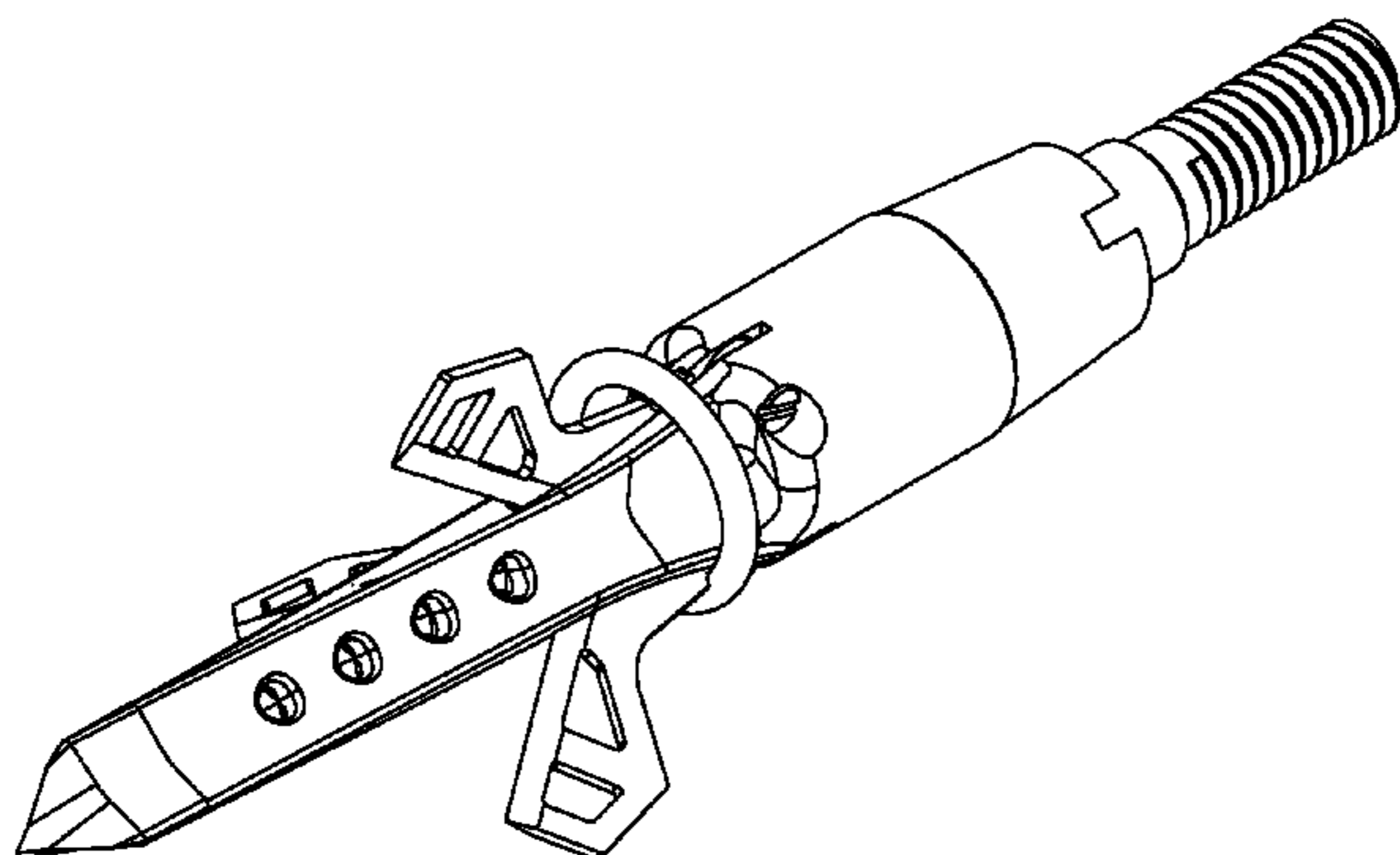
(57) **CLAIM**

The ornamental design for an expandable broadhead, as shown and described.

**DESCRIPTION**

FIG. 1 is a perspective view of an expandable broadhead in the closed position, showing my new design;  
 FIG. 2 is front view thereof;  
 FIG. 3 is a back view thereof;  
 FIG. 4 is a left view thereof;  
 FIG. 5 is a right view thereof;  
 FIG. 6 is a top view thereof;  
 FIG. 7 is a bottom view thereof;  
 FIG. 8 is an exploded perspective view thereof;  
 FIG. 9 is a perspective view of an expandable broadhead in the opened position;  
 FIG. 10 is a front view thereof;  
 FIG. 11 is a left view thereof;  
 FIG. 12 is a back view thereof;  
 FIG. 13 is a right view thereof;  
 FIG. 14 is a top view thereof;  
 FIG. 15 is a bottom view thereof; and,  
 FIG. 16 is an exploded perspective view thereof.  
 The dash-dot broke lines in the drawings depict projection lines and form no part of the claimed design.

**1 Claim, 10 Drawing Sheets**



(56)

References Cited

U.S. PATENT DOCUMENTS

6,605,012 B2 \* 8/2003 Muller ..... F42B 6/08  
473/584  
6,793,596 B1 \* 9/2004 Sullivan ..... F42B 6/08  
473/583  
6,863,630 B1 3/2005 Watkins et al.  
6,918,848 B2 7/2005 Kuhn  
6,966,856 B1 11/2005 Hajek  
6,997,827 B1 2/2006 Grace, Jr. et al.  
7,037,223 B2 5/2006 Kuhn  
7,179,182 B2 2/2007 Summers  
7,234,220 B1 \* 6/2007 Grace, Jr. .... F42B 6/08  
29/428  
7,311,622 B1 12/2007 Futtere  
7,338,397 B2 3/2008 Mizsek et al.  
7,422,533 B1 9/2008 Johnson  
7,682,271 B2 \* 3/2010 Rager ..... F42B 6/08  
473/583  
7,771,297 B2 8/2010 Kuhn  
7,803,073 B2 \* 9/2010 Sullivan ..... F42B 6/08  
473/583  
7,871,345 B2 1/2011 Cooper  
7,942,765 B2 \* 5/2011 Odabachian ..... F42B 6/08  
473/583  
7,955,201 B2 6/2011 Harwath et al.  
8,100,788 B2 \* 1/2012 Sanford ..... F42B 6/08  
473/582  
8,105,187 B1 \* 1/2012 Sanford ..... F42B 6/08  
473/583  
8,113,974 B1 \* 2/2012 Ward, Jr. .... F42B 6/08  
473/583  
8,147,360 B2 \* 4/2012 Simo ..... F42B 6/08  
30/355  
8,147,362 B2 4/2012 Muntanion et al.  
8,313,398 B2 11/2012 Baker  
D672,836 S \* 12/2012 Butcher ..... F42B 6/08  
D22/107  
8,398,510 B1 \* 3/2013 Mizsek ..... F42B 6/08  
473/583  
8,449,416 B2 5/2013 Grace et al.  
8,469,842 B2 \* 6/2013 Mizsek ..... F42B 6/08  
473/583  
8,469,843 B2 \* 6/2013 Mizsek ..... F42B 6/04  
473/583  
8,657,709 B2 2/2014 Bay  
D710,962 S \* 8/2014 Pedersen ..... D22/107  
D711,489 S \* 8/2014 Pedersen ..... D22/107  
8,801,552 B2 \* 8/2014 Miles ..... F42B 6/08  
473/583  
8,905,874 B2 \* 12/2014 Sullivan ..... F42B 12/34  
473/583  
8,911,311 B1 12/2014 Mizsek et al.  
8,920,269 B2 12/2014 Rager

8,926,457 B2 \* 1/2015 Treto ..... F42B 6/08  
473/583  
8,974,327 B2 \* 3/2015 Priore ..... F42B 6/08  
473/583  
8,986,141 B2 \* 3/2015 Pedersen ..... F42B 12/34  
473/583  
D730,471 S \* 5/2015 Pedersen ..... D22/107  
9,028,349 B2 \* 5/2015 Budris ..... F42B 6/08  
473/583  
9,052,170 B1 \* 6/2015 Campbell ..... F42B 12/34  
9,062,944 B1 \* 6/2015 Dupuis ..... F42B 6/08  
9,068,806 B2 \* 6/2015 Pedersen ..... F42B 12/34  
9,091,515 B1 \* 7/2015 Lee ..... F42B 6/08  
9,157,710 B1 10/2015 Huntsman  
D743,500 S \* 11/2015 Pedersen ..... D22/107  
D743,501 S \* 11/2015 Pedersen ..... D22/107  
D745,619 S \* 12/2015 Pedersen ..... D22/107  
9,239,216 B2 1/2016 Hartcraft  
9,310,173 B2 4/2016 Bay  
9,329,006 B1 \* 5/2016 Hansen ..... F42B 6/08  
9,335,135 B2 5/2016 Powell  
9,341,451 B1 \* 5/2016 Campbell ..... F42B 12/34  
9,372,056 B2 \* 6/2016 Sullivan ..... F42B 6/08  
D765,208 S \* 8/2016 Loa ..... D22/107  
9,404,722 B2 8/2016 Pedersen  
9,410,778 B2 8/2016 Pedersen  
D768,798 S \* 10/2016 Loa ..... D22/107  
D774,615 S \* 12/2016 Pedersen ..... D22/107  
D776,782 S \* 1/2017 Pedersen ..... D22/107  
10,030,949 B1 \* 7/2018 Grace ..... F42B 6/08  
2007/0161438 A1 \* 7/2007 Fulton ..... F42B 6/08  
473/583  
2008/0234079 A1 \* 9/2008 Butcher ..... F42B 6/08  
473/584  
2008/0254925 A1 \* 10/2008 Odabachian ..... F42B 6/08  
473/584  
2009/0111621 A1 \* 4/2009 Mizsek ..... F42B 6/08  
473/584  
2010/0173734 A1 \* 7/2010 Robbins ..... F42B 6/08  
473/584  
2012/0165142 A1 \* 6/2012 Grace ..... F42B 6/08  
473/582  
2013/0316861 A1 \* 11/2013 Lee ..... F42B 6/08  
473/583  
2014/0128186 A1 \* 5/2014 Treto ..... F42B 6/08  
473/583  
2014/0194234 A1 \* 7/2014 Miles ..... F42B 6/08  
473/583  
2016/0047637 A1 \* 2/2016 Salvino ..... F42B 6/08  
473/583

OTHER PUBLICATIONS

<https://datafortress2020.com/ab/ammo.html>—Retrieved on Sep. 11, 2018.\*

\* cited by examiner

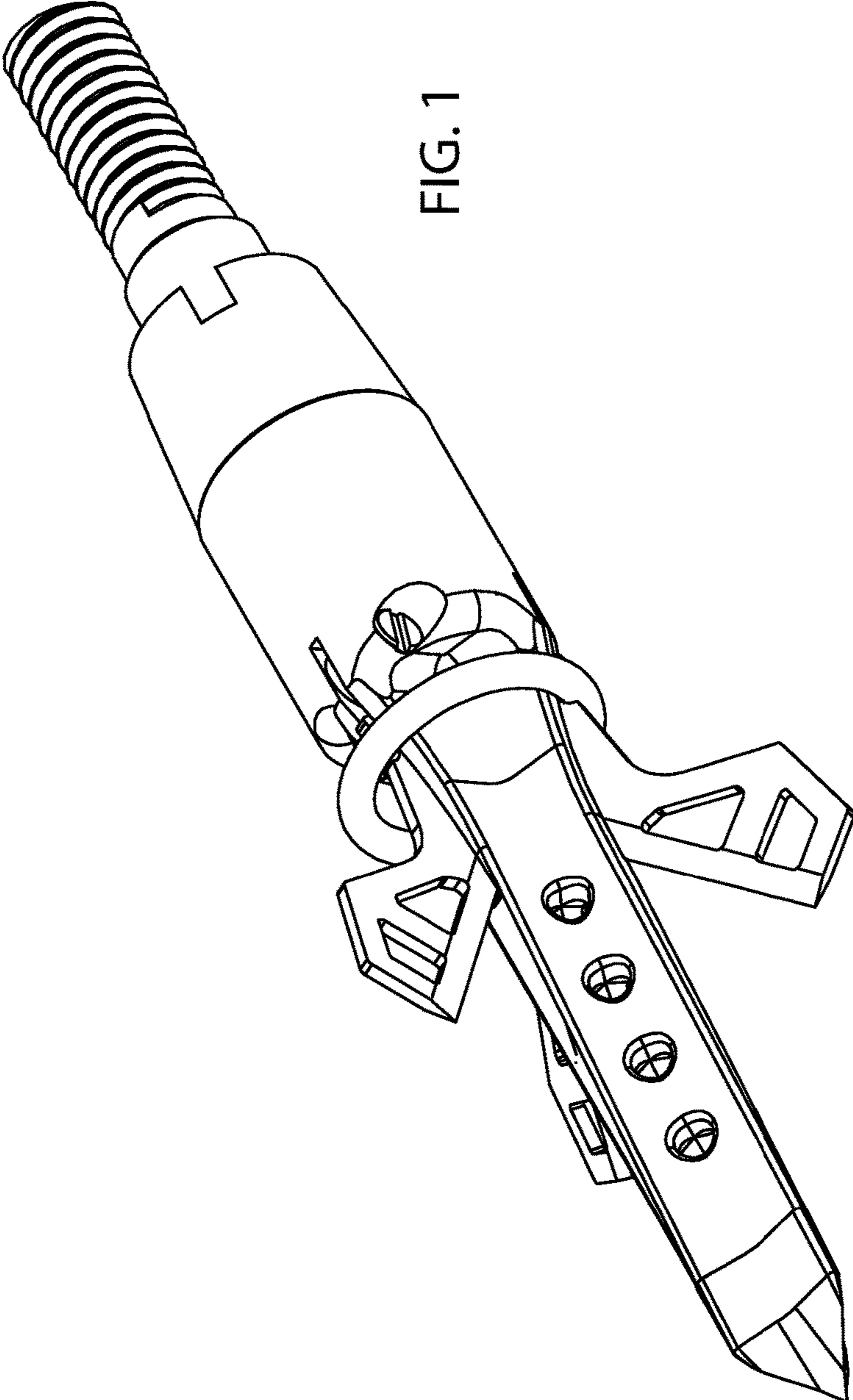
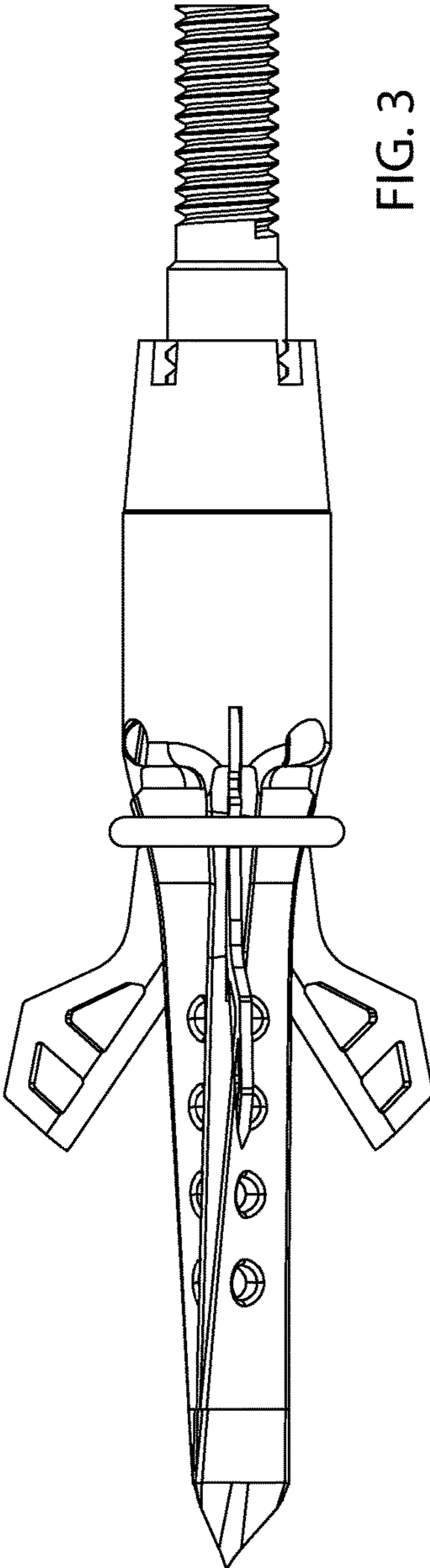
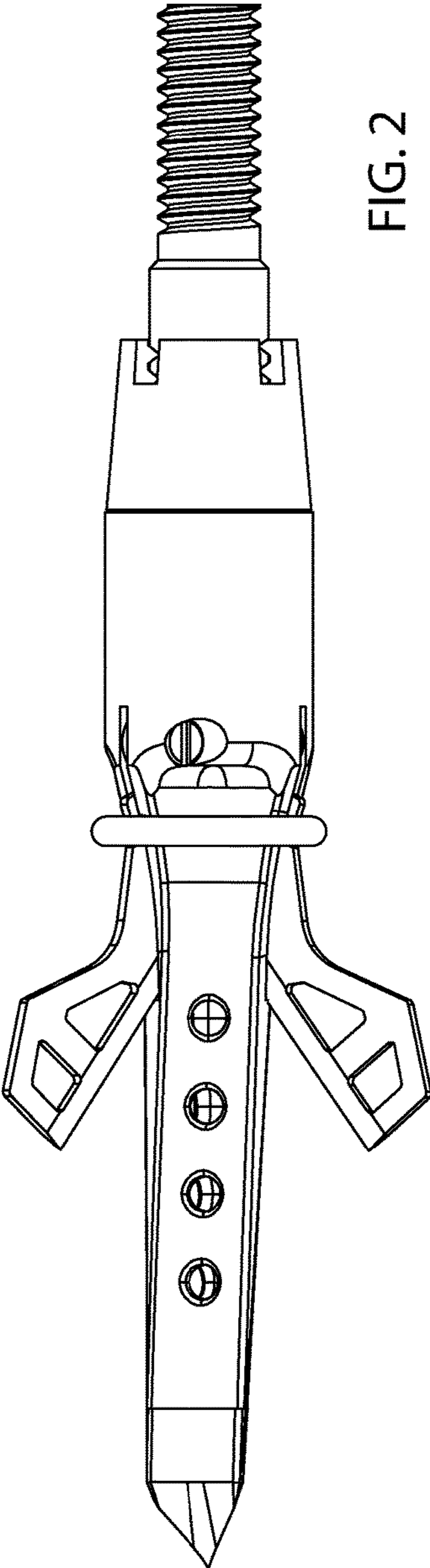
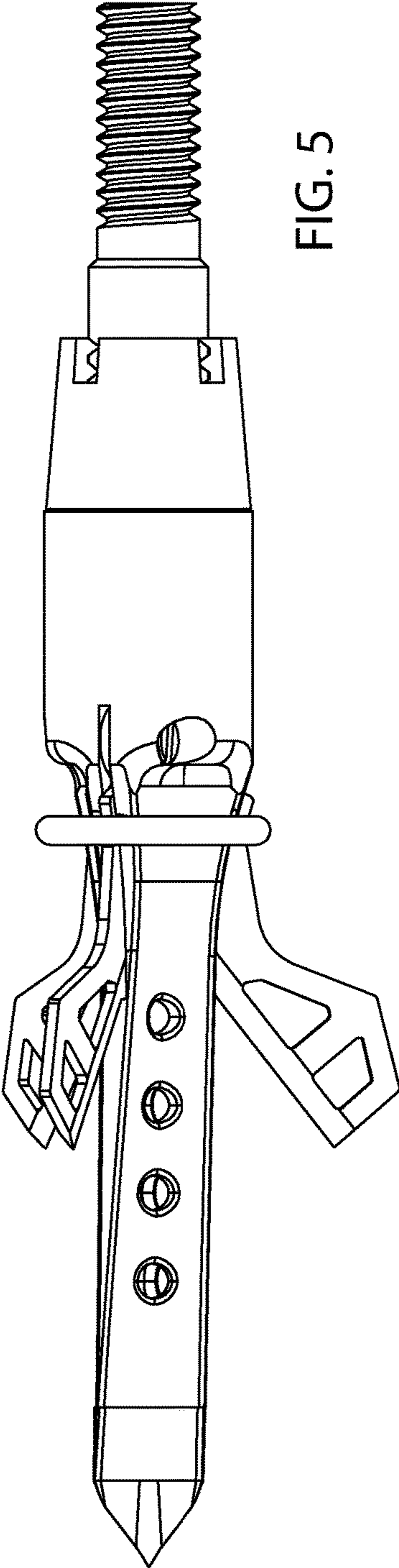
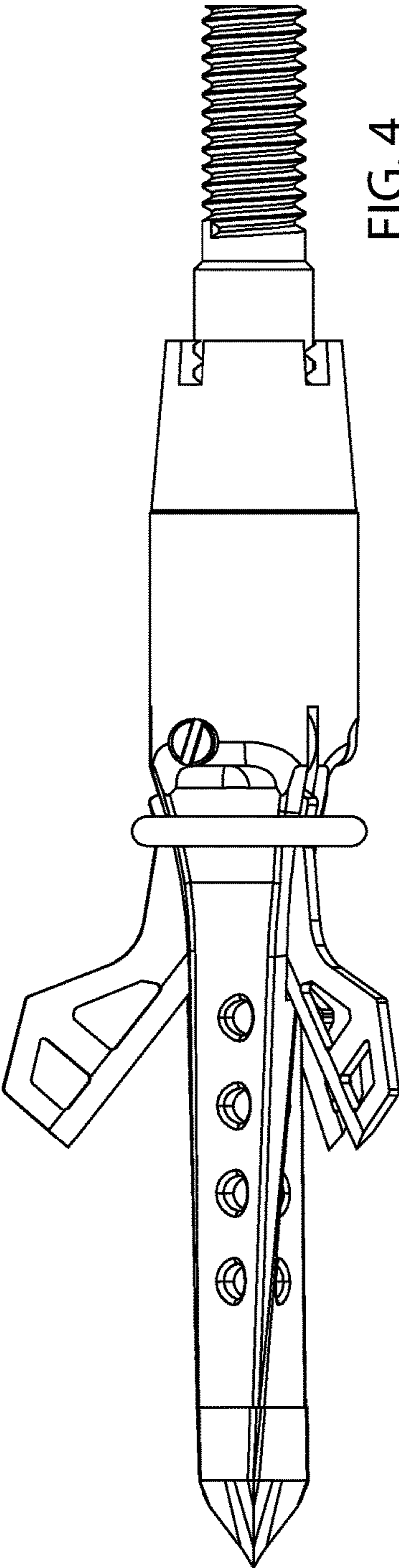


FIG. 1





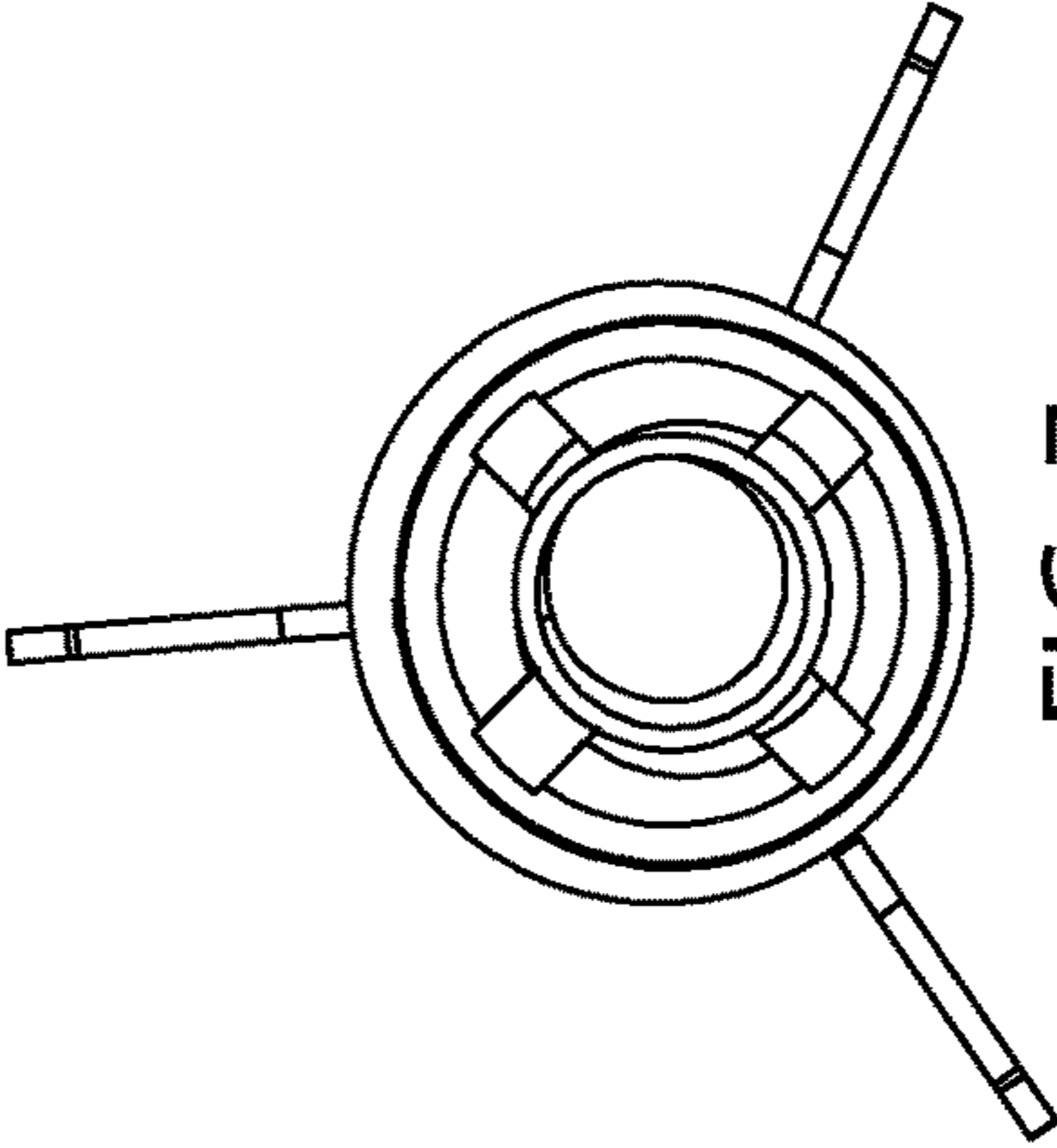


FIG. 7

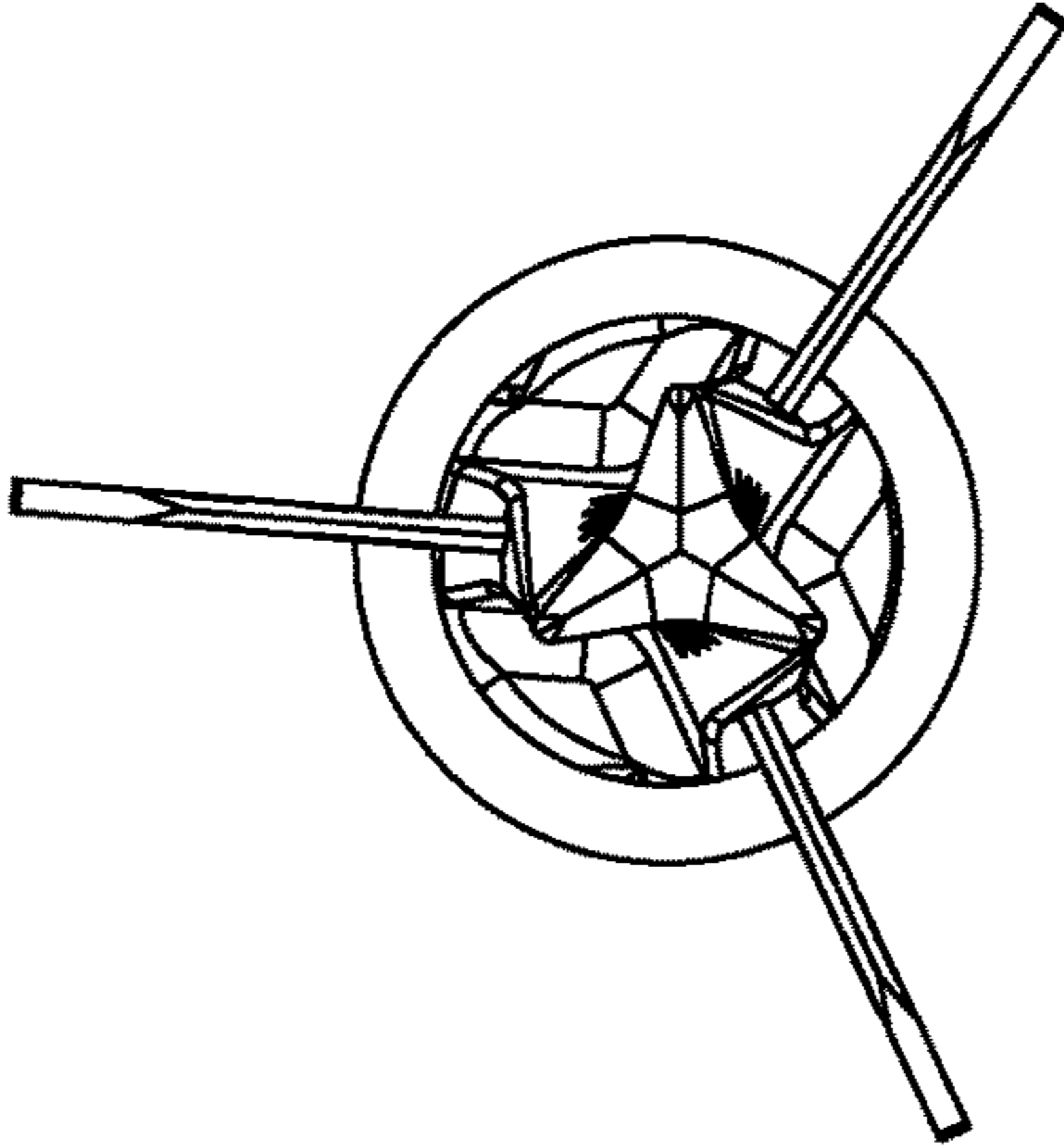
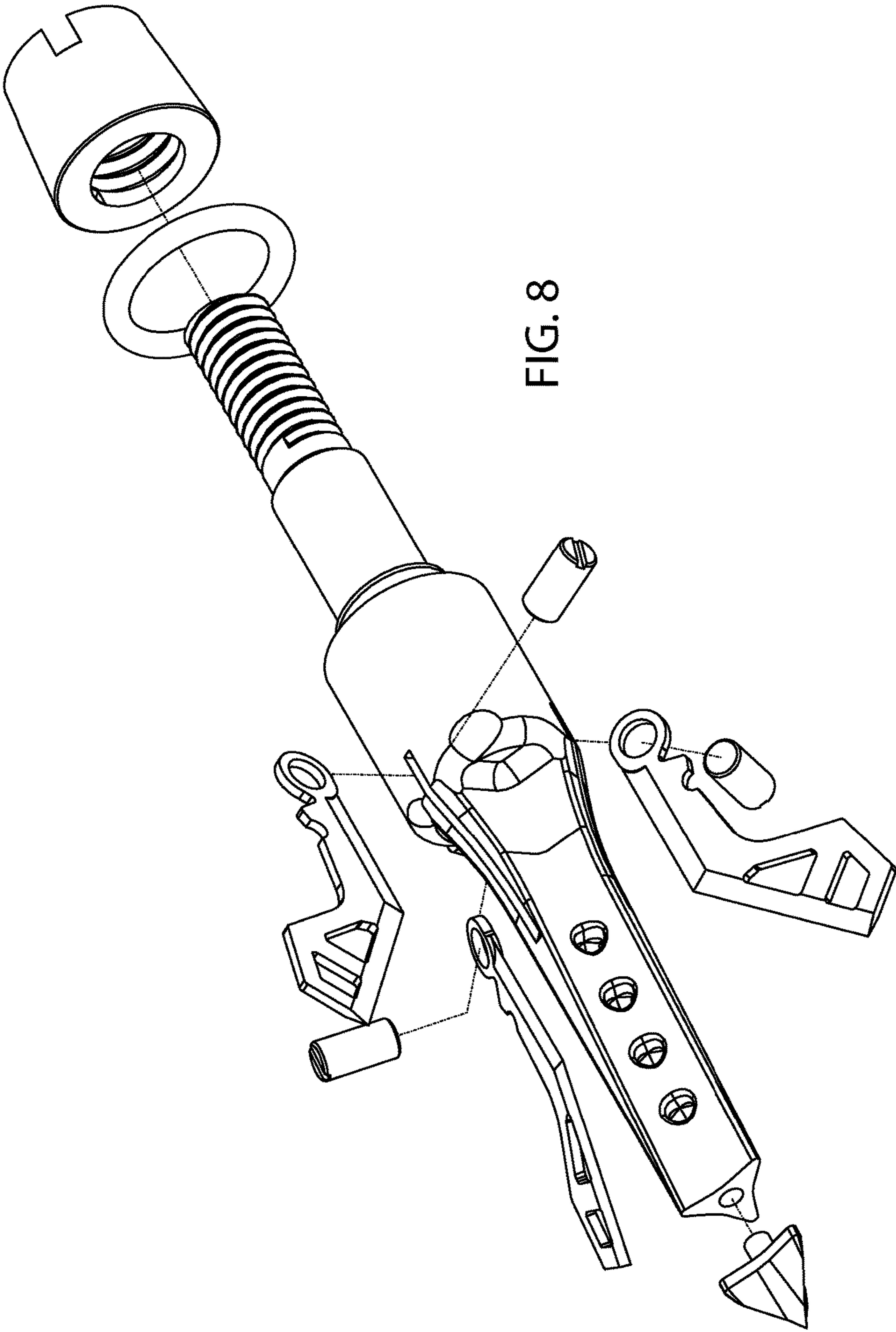


FIG. 6



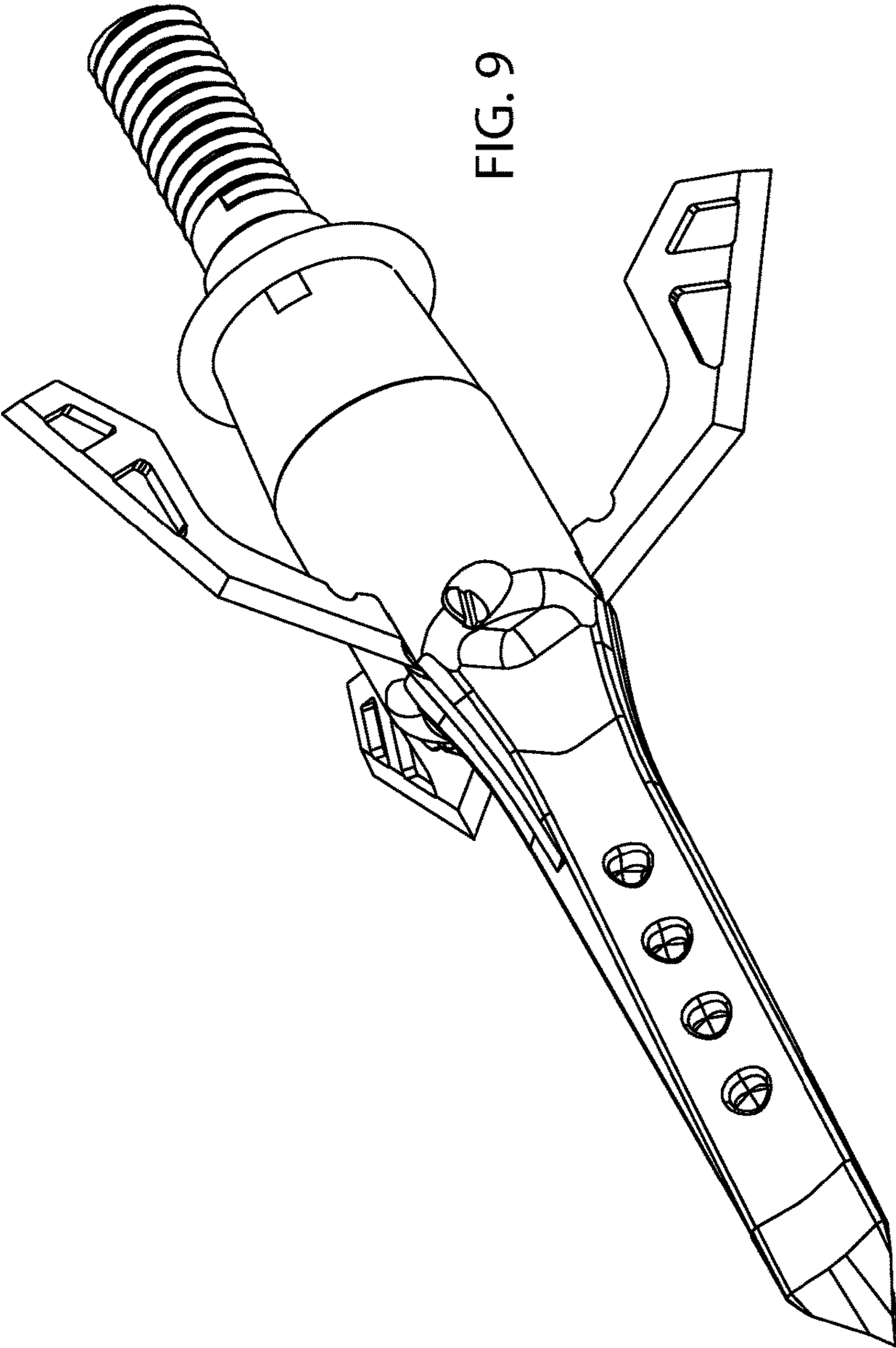
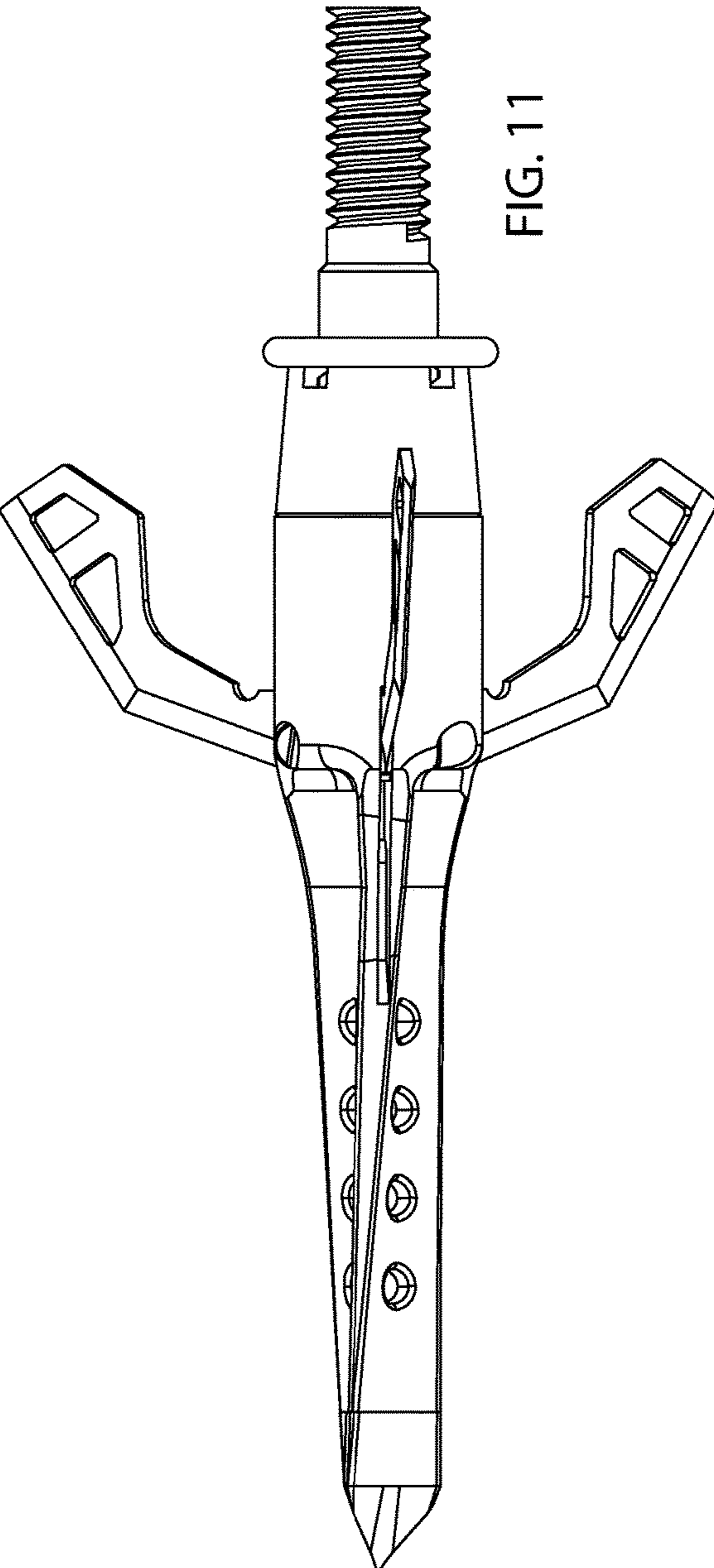
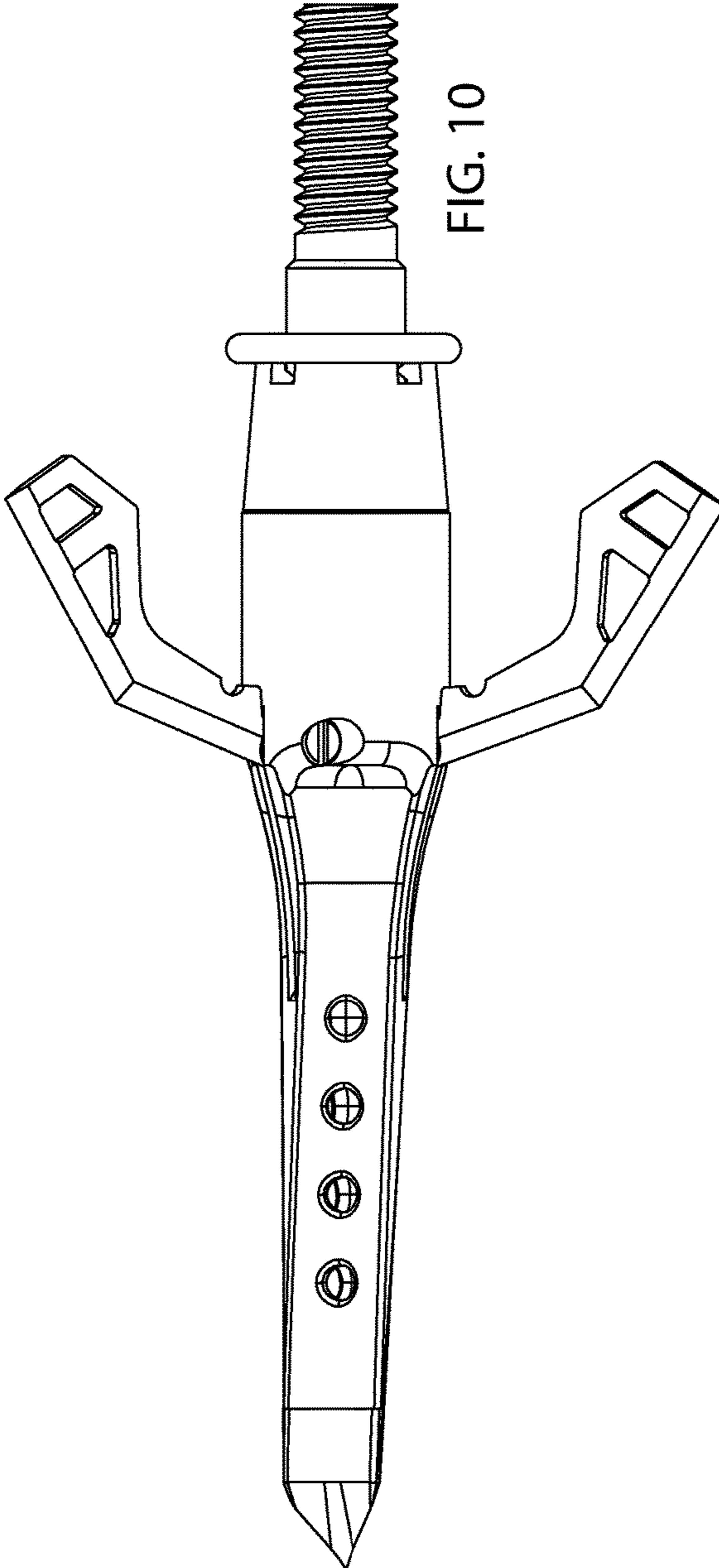


FIG. 9





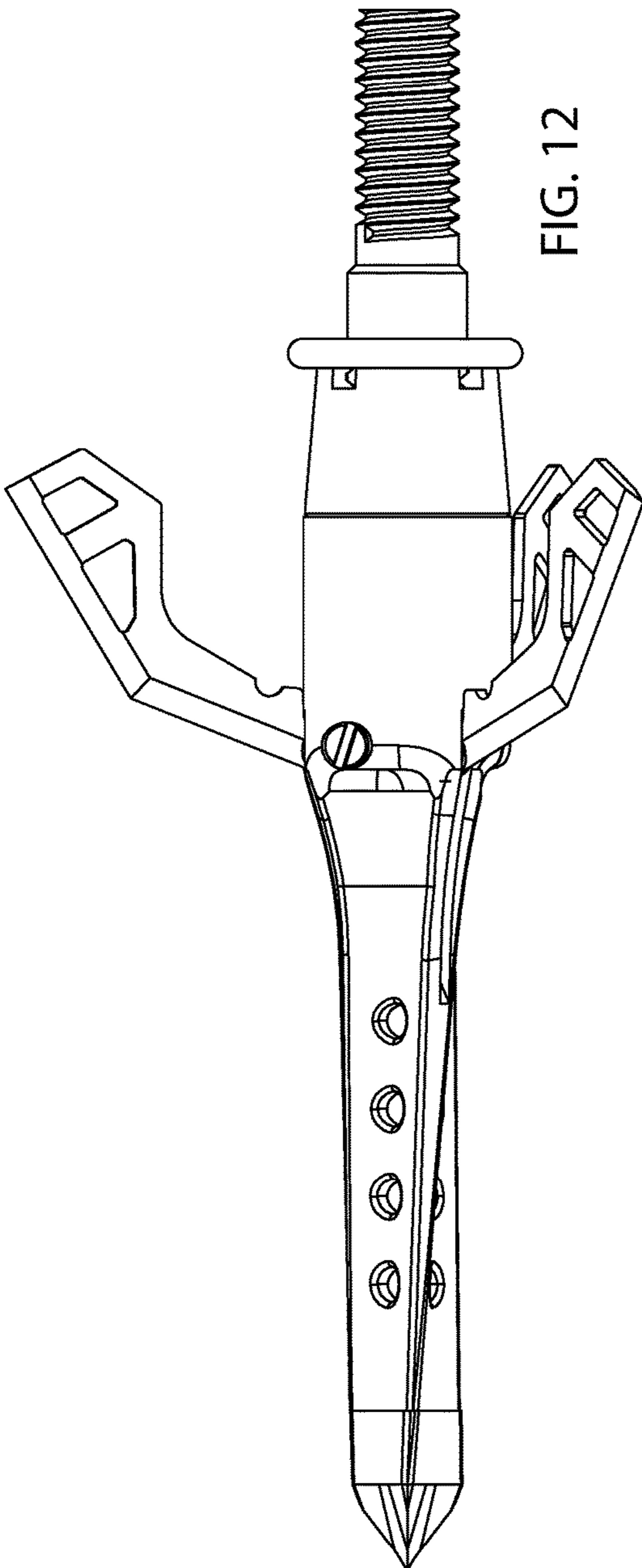


FIG. 12

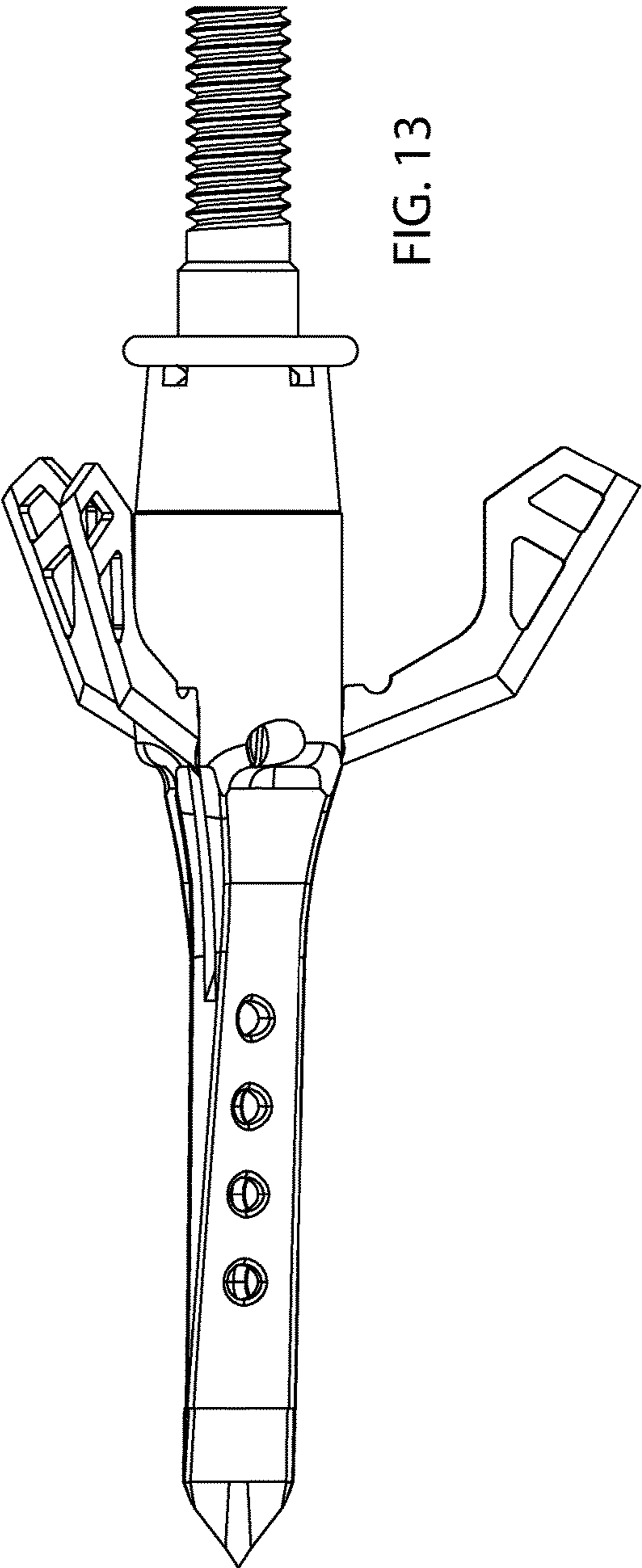


FIG. 13

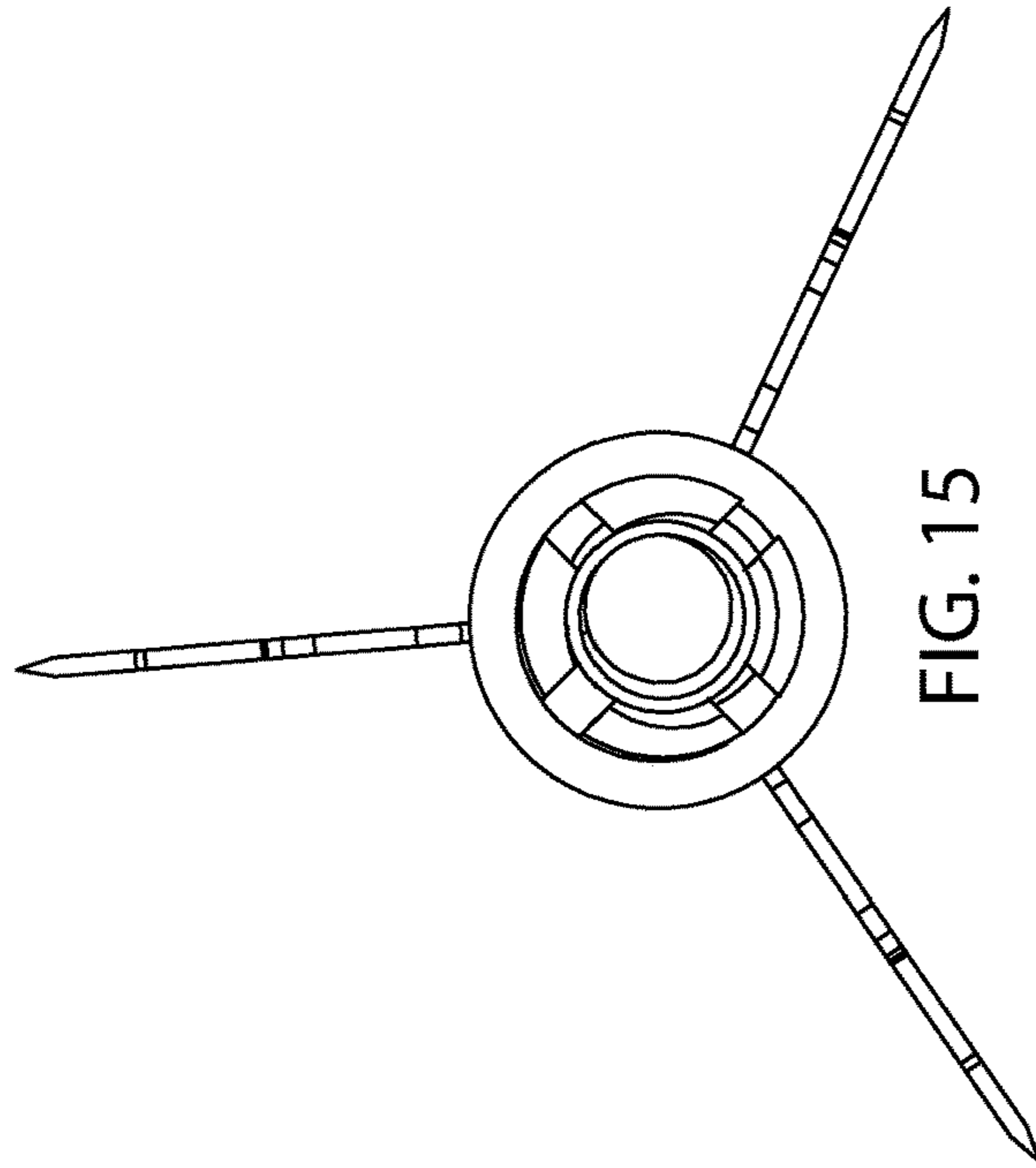


FIG. 15

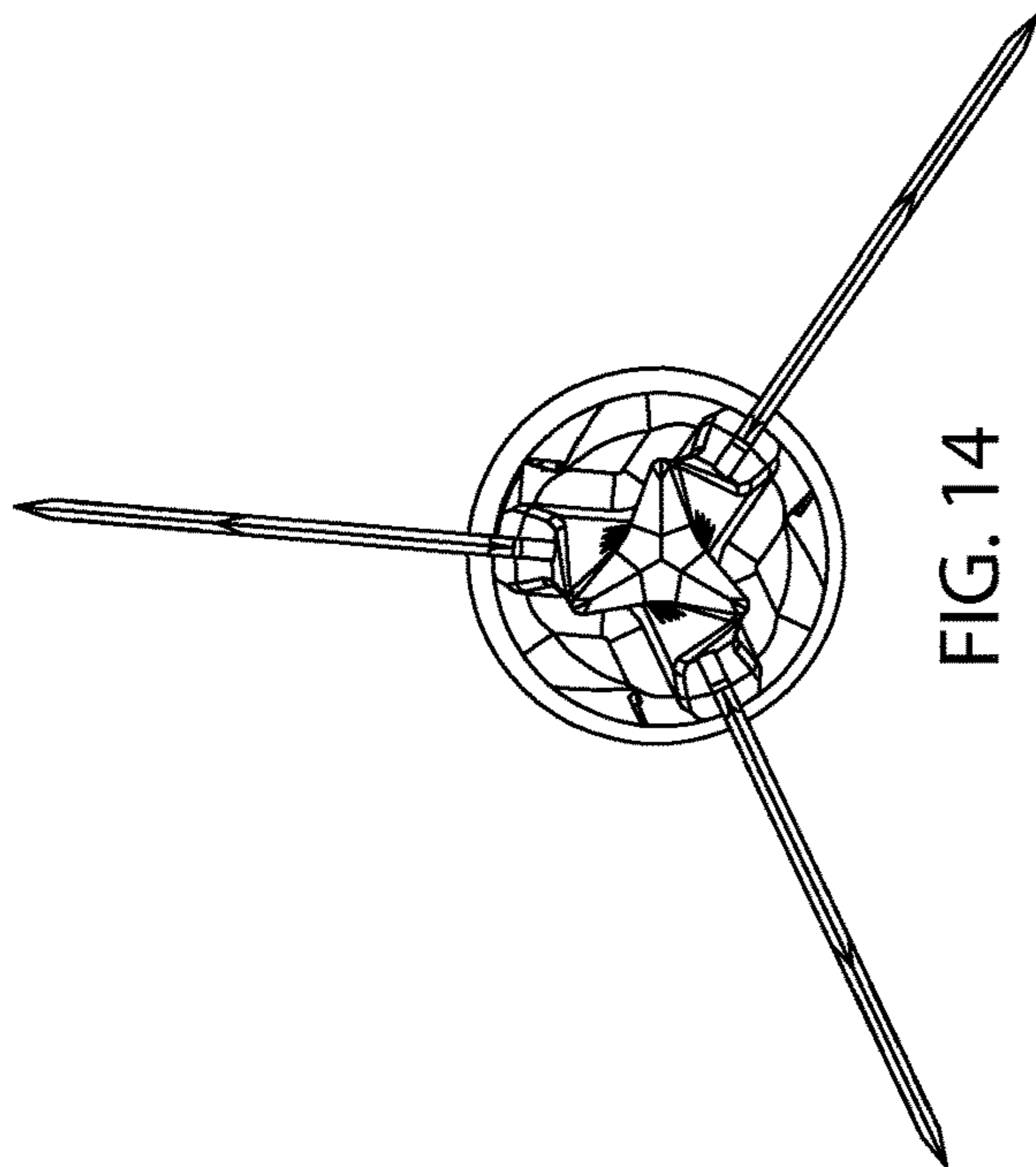


FIG. 14

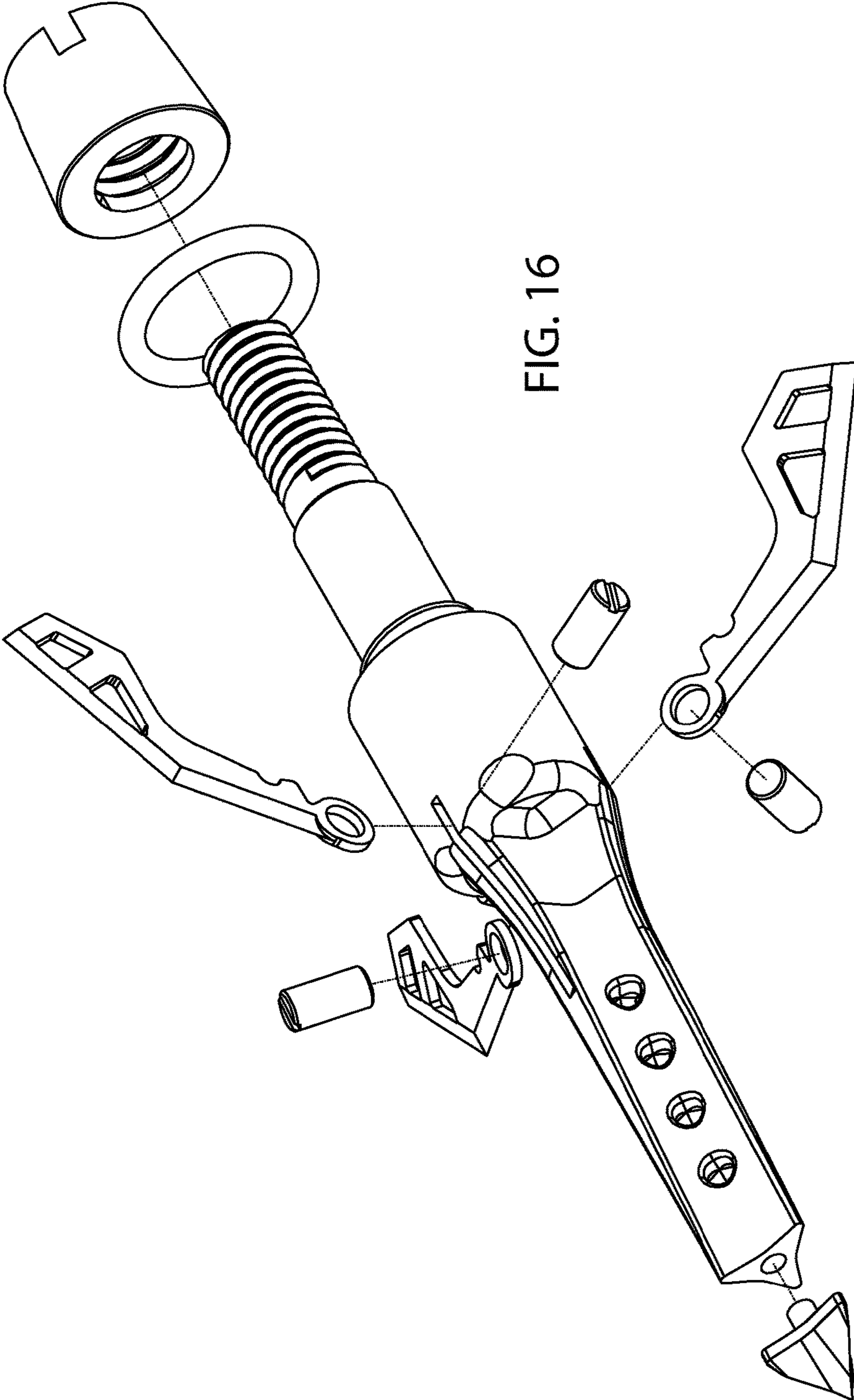


FIG. 16