

US00D849870S

(12) **United States Design Patent** (10) **Patent No.:** **US D849,870 S**
Cluff et al. (45) **Date of Patent:** **** May 28, 2019**

- (54) **BUMPER FOR GUN**
- (71) Applicants: **Matthew Roy Cluff**, Kanab, UT (US);
Alan Dugger, Leander, TX (US);
Kenneth D. Lewis, St. George, UT (US)
- (72) Inventors: **Matthew Roy Cluff**, Kanab, UT (US);
Alan Dugger, Leander, TX (US);
Kenneth D. Lewis, St. George, UT (US)

(**) Term: **15 Years**

(21) Appl. No.: **29/634,335**

(22) Filed: **Jan. 19, 2018**

(51) **LOC (11) Cl.** **22-01**

(52) **U.S. Cl.**
USPC **D22/108**

(58) **Field of Classification Search**
USPC D22/108, 199; D21/572-575
CPC F41A 21/34; F41A 21/325; F41A 21/32;
F41A 21/28; F41A 3/14; F41A 3/30;
F41A 17/44

See application file for complete search history.

(56) **References Cited**

U.S. PATENT DOCUMENTS

D195,627 S *	7/1963	Ashbrook	89/14.3
3,492,912 A *	2/1970	Ashbrook	F41A 21/36 181/223
D280,655 S *	9/1985	Cellini	89/14.3
D436,643 S *	1/2001	Sims	D22/107
D532,804 S *	11/2006	Ono	D16/135
D555,749 S *	11/2007	Epp	D22/108
D715,378 S *	10/2014	Coulter	D21/573

D726,276 S *	4/2015	Pagac	D22/108
D773,003 S *	11/2016	Meister	D22/108
9,500,427 B1 *	11/2016	Larue	F41A 21/30
D789,480 S *	6/2017	Olsen	D22/108
9,921,013 B1 *	3/2018	Oglesby	F41A 3/80
9,927,201 B2 *	3/2018	Penchuk	F41A 21/325
9,995,553 B1 *	6/2018	Oglesby	F41C 23/06
D837,924 S *	1/2019	Kunau	D22/108
2012/0272818 A1 *	11/2012	Dueck	F41A 21/30 89/14.4

OTHER PUBLICATIONS

1022 Race Rifle, posted at R&S Precision Sports, posting date Jul. 6, 2017. Site visited Jan. 19, 2019. URL: <<https://web.archive.org/web/20170706185149/https://1022racerifle.com/buffer-technologies-ar-15-recoil-buffer-polyurethane/>> (Year: 2017).*

(Continued)

Primary Examiner — Kevin K Rudzinski

Assistant Examiner — Kathleen L Jones

(74) *Attorney, Agent, or Firm* — Gurr Brande & Spendlove, PLLC; Robert A. Gurr

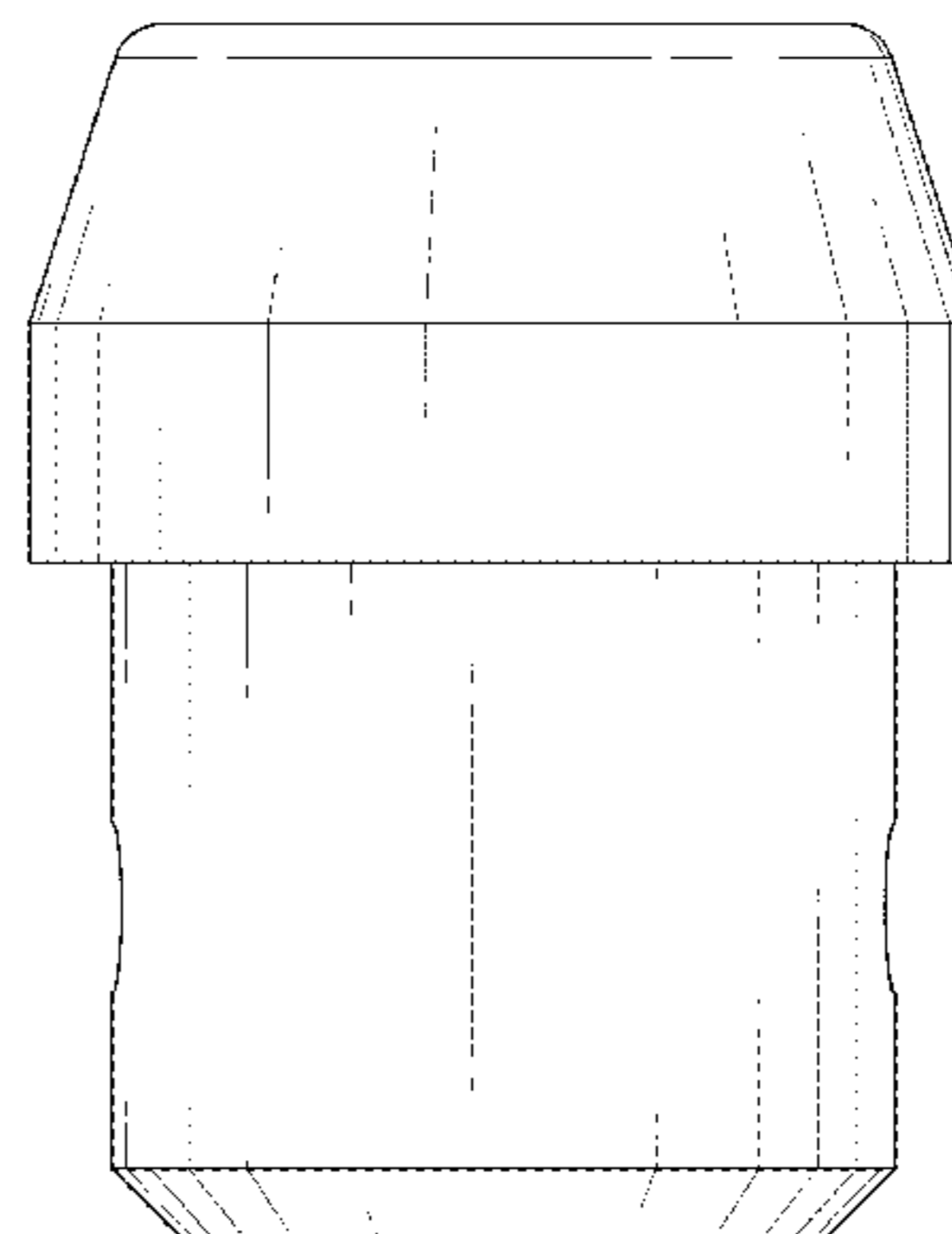
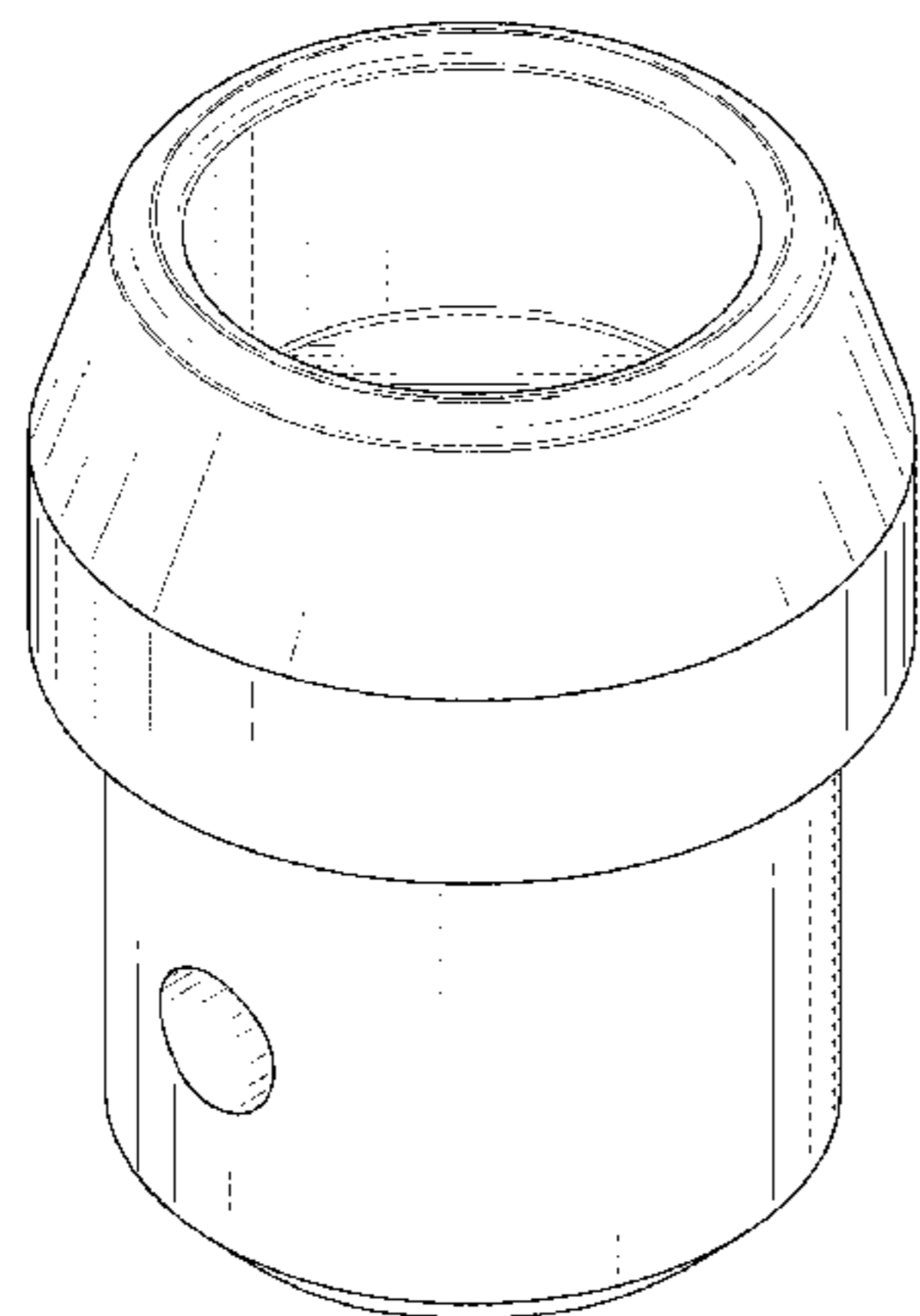
(57) **CLAIM**

The ornamental design for a bumper for gun, as shown and described.

DESCRIPTION

FIG. 1 is a perspective view of the bumper for gun; FIG. 2 is a left side elevation view of the bumper for gun; FIG. 3 is a front elevation view of the bumper for gun; FIG. 4 is a top plan view of the bumper for gun; and, FIG. 5 is a bottom plan view of the bumper for gun. The right side elevation view is a mirror image of the left side elevation view; and The back elevation view is a mirror image of the front elevation view.

1 Claim, 4 Drawing Sheets



(56)

References Cited

OTHER PUBLICATIONS

Hrachya H, Quarter Circle 10 Weight Adjustable Pistol Caliber Carbine Buffer, posted at The Firearm Blog, posting date Sep. 13, 2017. Site visited Jan. 19, 2019. URL: <<https://www.thefirearmblog.com/blog/2017/09/13/quarter-circle-10-weight-adjustable-pistol-caliber-carbine-buffer/>> (Year: 2017).*

Nathan S, Taccom's Heavy PCC Carbine Recoil System, posted at the Firearm Blog, posting date Jan. 5, 2017. Site visited Jan. 19, 2019. URL: <<https://www.thefirearmblog.com/blog/2017/01/05/taccoms-heavy-pcc-carbine-recoil-system/>> (Year: 2017).*

* cited by examiner

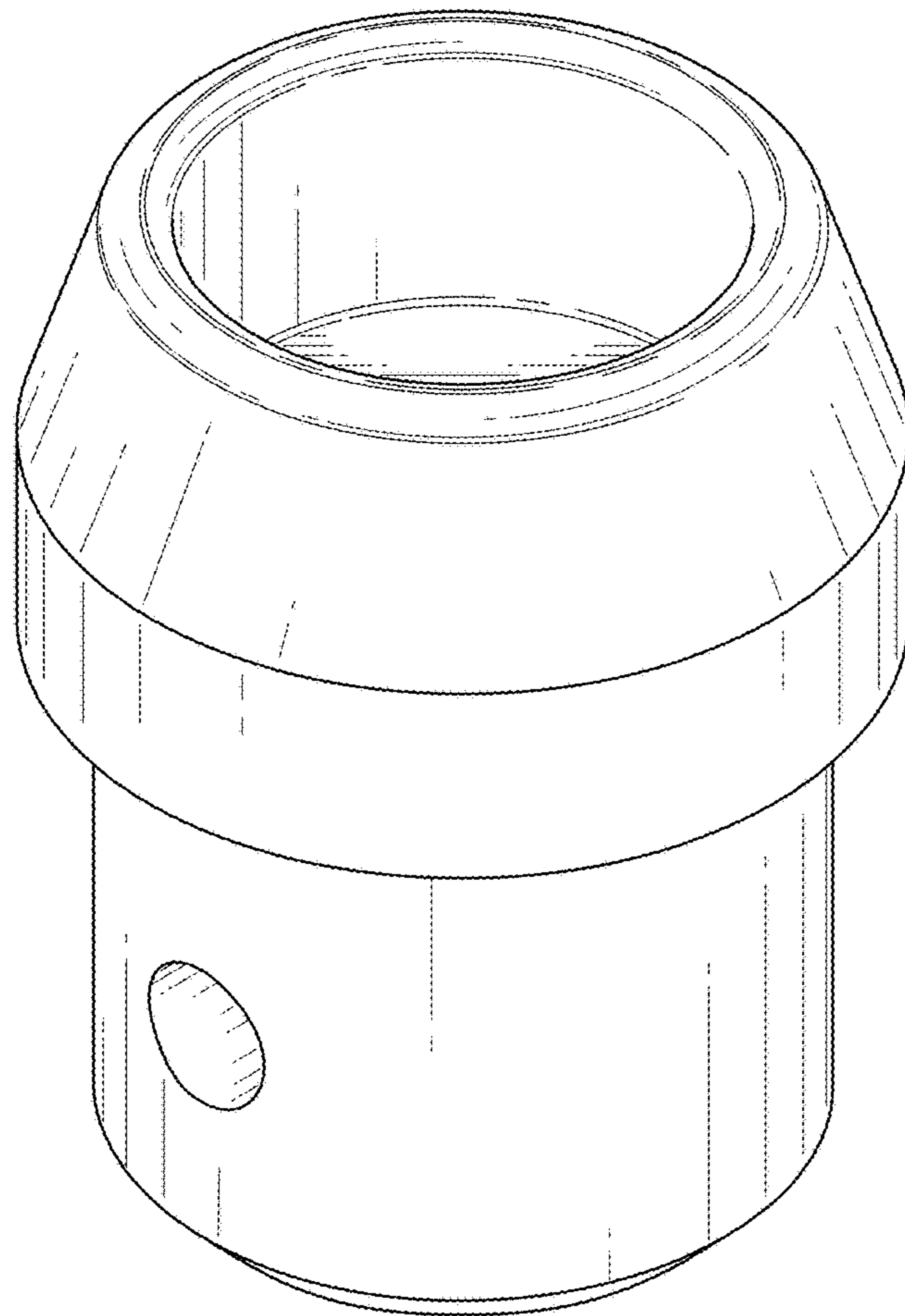


FIG. 1

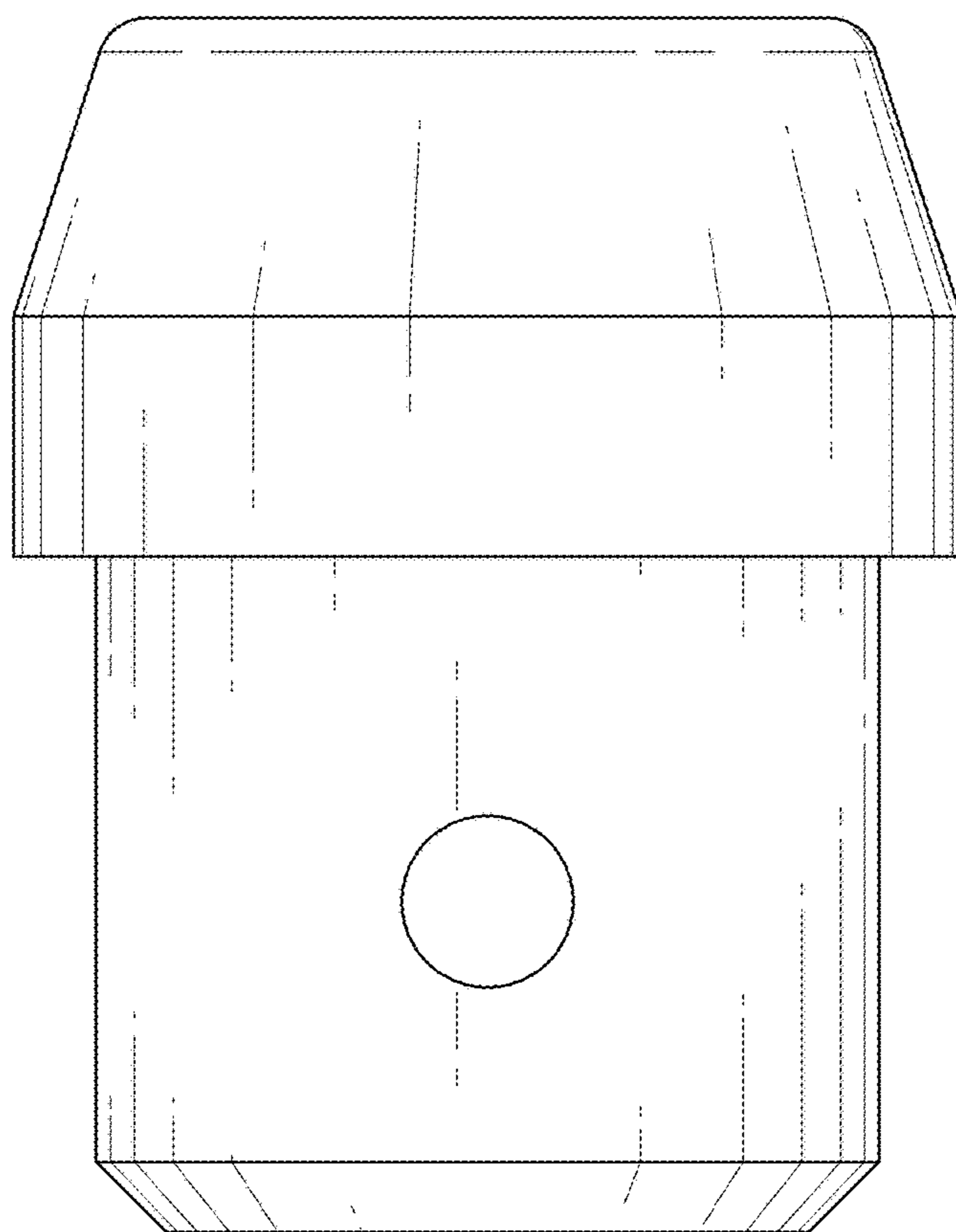


FIG. 2

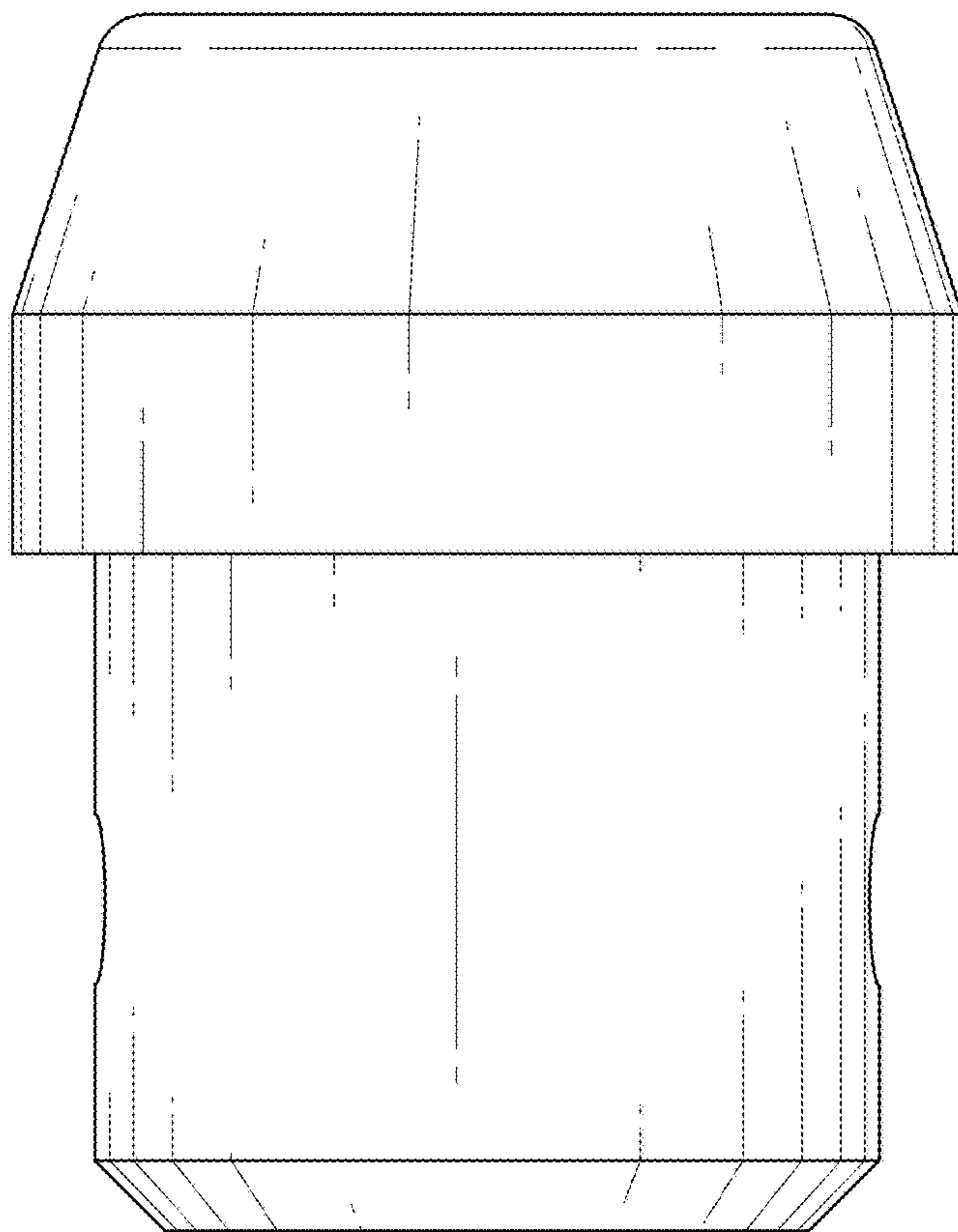


FIG. 3

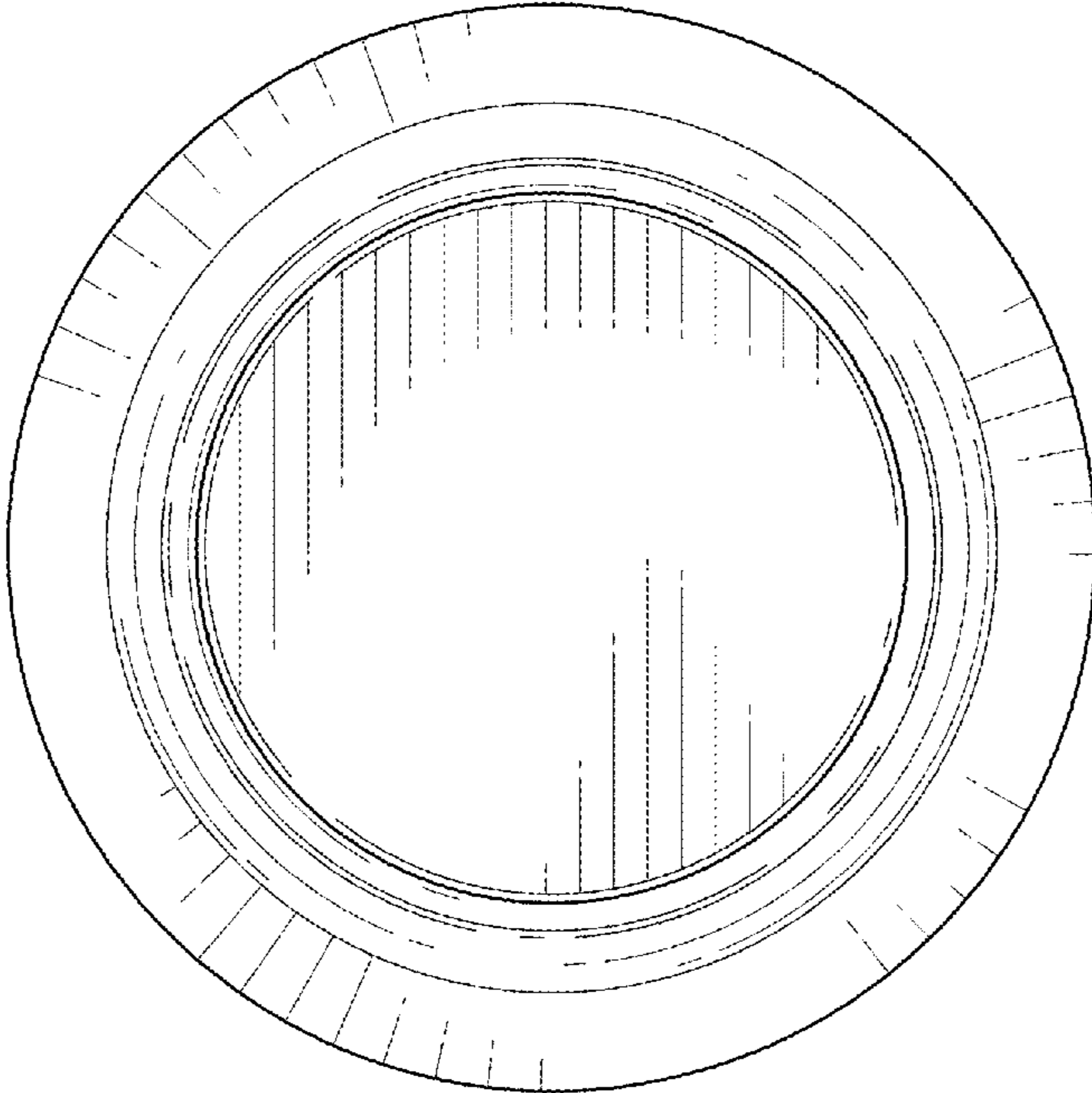


FIG. 4

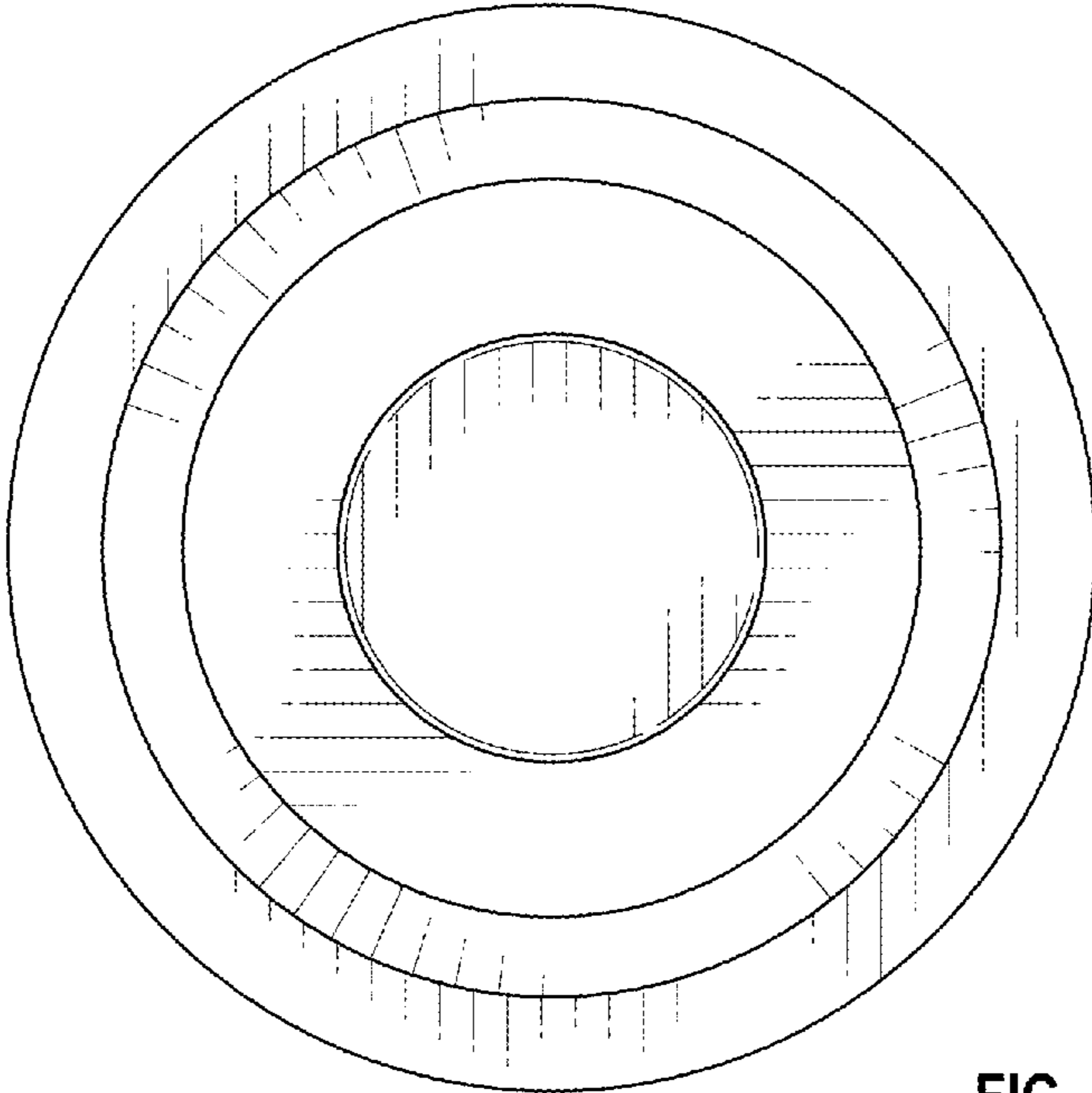


FIG. 5