



US00D849869S

(12) **United States Design Patent** (10) **Patent No.:** **US D849,869 S**  
**Kielsmeier et al.** (45) **Date of Patent:** **\*\* May 28, 2019**

(54) **FOLDING GUN**

(71) Applicant: **Magpul Industries Corp.**, Austin, TX (US)

(72) Inventors: **Nicholas Kielsmeier**, Denver, CO (US);  
**Brian L. Nakayama**, Arvada, CO (US);  
**Jeremy Fiester**, Lafayette, CO (US);  
**Michael T. Mayberry**, Denver, CO (US)

(73) Assignee: **Magpul Industries Corp.**, Austin, TX (US)

(\*\*) Term: **15 Years**

(21) Appl. No.: **29/631,921**

(22) Filed: **Jan. 3, 2018**

(51) **LOC (11) Cl.** ..... **22-01**

(52) **U.S. Cl.**  
USPC ..... **D22/104; D22/103**

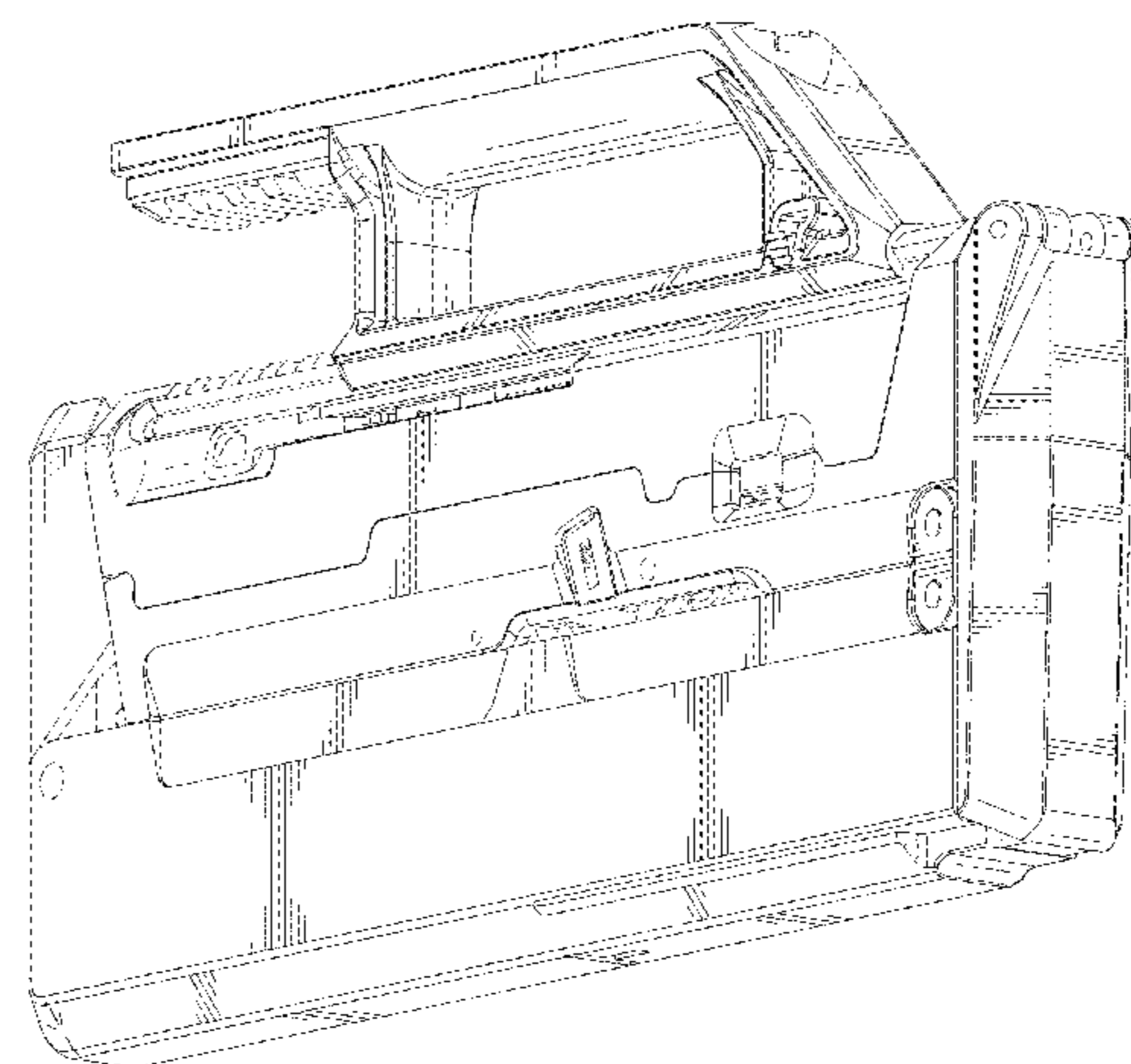
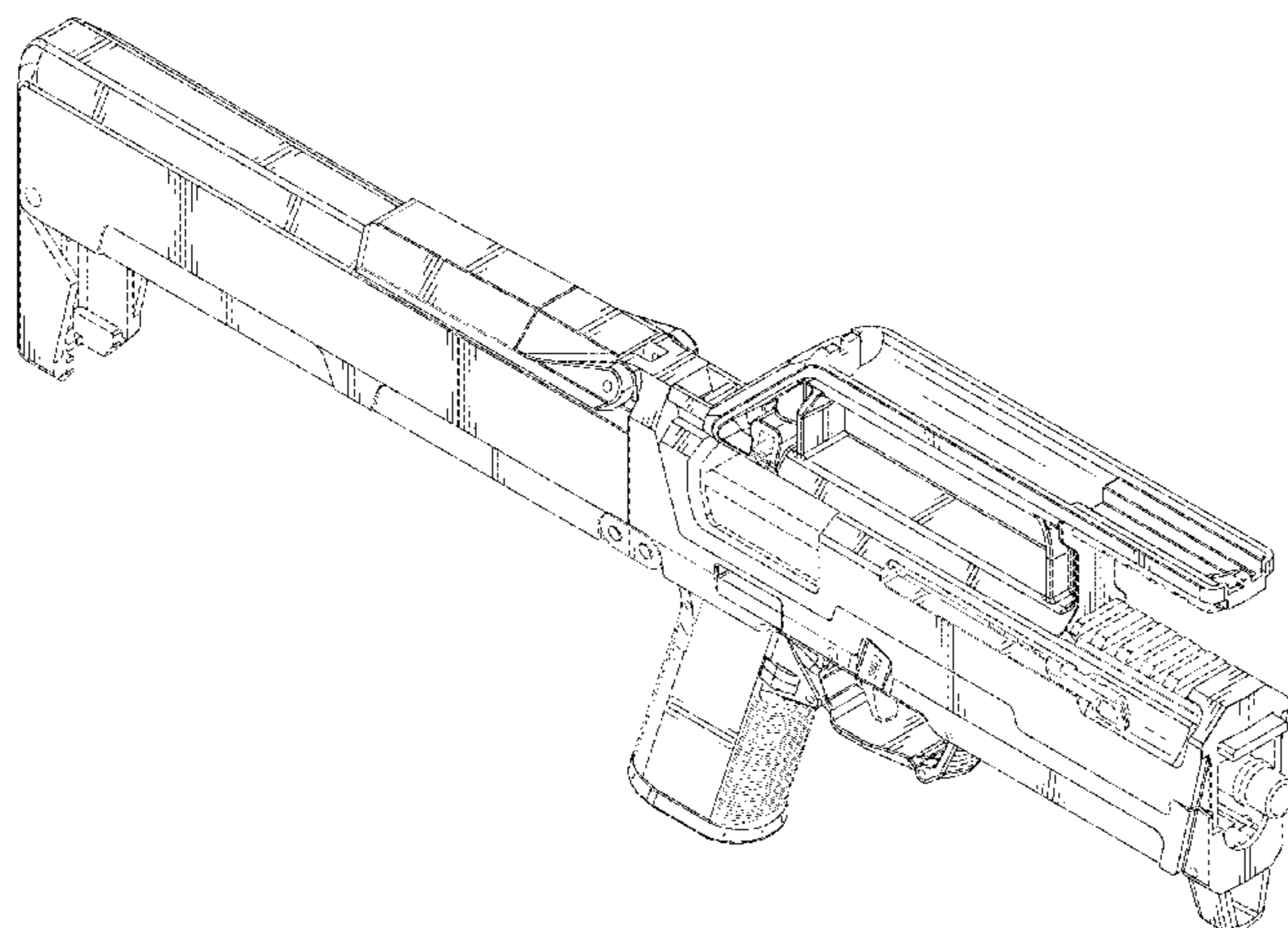
(58) **Field of Classification Search**  
USPC ..... D21/301, 304, 567, 570, 571, 573, 574,  
D21/575, 746; D22/100, 101, 102, 103,  
D22/106, 107, 108, 109, 110, 111, 112,  
D22/115, 116, 199  
CPC ..... F41A 3/26; F41A 3/12; F41A 5/02; F41A  
17/22; F41B 5/143; F41B 5/14; F41B  
5/066; F41B 7/08; F41B 5/1446; F41B  
5/148; F41B 5/1465; F42B 6/04; F42B  
6/08; F42B 6/02; F42B 6/06; F42B  
12/362; F41C 23/16; F41C 27/00; F41C  
7/00; F41G 11/003; F41G 11/001; F41G  
11/004; F41G 11/005; A63H 5/04  
See application file for complete search history.

5,671,560 A 9/1997 Meller  
5,758,524 A 6/1998 Yu  
6,212,812 B1 4/2001 Aigner  
6,253,479 B1 7/2001 Fuchs et al.  
6,257,116 B1 7/2001 Moczjdlower et al.  
6,357,157 B1 3/2002 Constant et al.  
6,421,944 B1 7/2002 Klebes et al.  
6,560,909 B2 5/2003 Cominolli  
6,718,680 B2 4/2004 Roca et al.  
6,865,979 B1 3/2005 Vaid  
7,234,261 B2 6/2007 McGarry  
7,243,453 B2 7/2007 McGarry  
7,357,058 B1 4/2008 Olcott  
7,726,059 B2 6/2010 Pikielny  
D622,802 S \* 8/2010 Fitzpatrick ..... D22/103  
D636,834 S \* 4/2011 Mayberry ..... F41C 23/04  
D22/108  
D641,062 S \* 7/2011 Faifer ..... D22/103  
8,033,043 B2 10/2011 McGarry  
D658,260 S \* 4/2012 Huang ..... D14/418  
D666,268 S \* 8/2012 Huang ..... D14/418  
8,276,302 B2 10/2012 Zukowski  
8,333,028 B1 12/2012 Karfiol et al.  
8,448,366 B2 \* 5/2013 Faifer ..... F41C 23/04  
42/71.01  
8,464,455 B2 6/2013 Kallio  
8,468,732 B2 6/2013 Young  
D693,420 S \* 11/2013 Abbott ..... D22/103  
D696,374 S \* 12/2013 Faifer ..... D22/104  
8,650,789 B2 2/2014 Dionne et al.  
8,650,790 B2 2/2014 Dionne et al.  
D701,272 S \* 3/2014 Lee ..... D21/573  
8,661,722 B2 3/2014 Dionne et al.  
D702,797 S \* 4/2014 Donnelly ..... D22/108  
D714,413 S \* 9/2014 Kerbrat ..... D22/104  
D723,128 S \* 2/2015 Hu ..... D22/103  
D730,999 S \* 6/2015 Stevens ..... D21/573  
D745,102 S \* 12/2015 Young ..... D22/103  
D745,103 S \* 12/2015 Corsi ..... D22/103  
D745,626 S \* 12/2015 Arnedo Vera ..... D22/108  
9,291,416 B2 3/2016 Wirkner  
9,377,260 B2 6/2016 Locher et al.  
9,383,153 B2 7/2016 Nebeker et al.  
9,448,023 B2 9/2016 Sheets, Jr. et al.  
D769,394 S \* 10/2016 Young ..... D22/103  
D773,592 S \* 12/2016 Jones ..... D22/108  
D773,593 S \* 12/2016 Hopkins ..... D22/108  
D814,596 S \* 4/2018 Curry ..... D22/108  
D814,598 S \* 4/2018 Monti ..... D22/108  
2009/0277066 A1 \* 11/2009 Burt ..... F41A 3/66  
42/6  
2009/0282718 A1 \* 11/2009 Bartley ..... F41C 23/12  
42/75.03

(56) **References Cited**

**U.S. PATENT DOCUMENTS**

4,513,523 A \* 4/1985 Gal ..... F41C 23/04  
42/72  
4,735,007 A \* 4/1988 Gal ..... F41C 23/04  
42/7





2011/0107644	A1 *	5/2011	Faifer .....	F41C 23/04 42/75.02
2012/0174454	A1	7/2012	Kallio	
2013/0111795	A1	5/2013	Dionne et al.	
2013/0111796	A1	5/2013	Dionne et al.	
2014/0150316	A1	6/2014	Acarreta	
2016/0187090	A1	6/2016	Mather et al.	
2017/0097203	A1	4/2017	Locher et al.	

FOREIGN PATENT DOCUMENTS

EP	2950033	A1	12/2015
EP	2950033	B1	11/2016
WO	2009051872	A2	4/2009
WO	2012018316	A1	2/2012
WO	2012094493	A1	7/2012

OTHER PUBLICATIONS

“Homebuilt Magpul Folding PDW—FMG9” [online]. Pete. [Published on Apr. 28, 2017]. Retrieved from the Internet: <<https://www.thefirearmblog.com/blog/2017/04/28/homebuilt-magpul-fmg9>>.\*

“Stealth & Folding Subguns” [online]. Utah Connor. [Published on Apr. 2000]. Retrieved from the Internet: <[http://www.fullautoclassics.com/ucsar\\_artical.pdf](http://www.fullautoclassics.com/ucsar_artical.pdf)>.\*

Eger, Chris, “4 Folding Submachine Guns Wed Love to Get Our Hands On”, Retrieved from <http://www.guns.com/2017/08/08/foldable-submachine-guns/>, Aug. 8, 2017, p. 9.

Full Conceal, Inc., “Meet the M3D Folding Semi-Auto Pistol”, Retrieved from <https://www.fullconceal.com/>, Known to exist as early as Mar. 5, 2018, p. 4.

KAK Industry, LLC, “Press Release: KAK and Shockwave Team Up to Create a Superior Pistol Stabilizing System”, Retrieved from <https://www.kakindustry.com/shockwave>, Known to exist as early as Mar. 5, 2018, p. 11.

Wikipedia, “Magpul FMG-9”, Retrieved from [https://en.wikipedia.org/wiki/Magpul\\_FMG-9](https://en.wikipedia.org/wiki/Magpul_FMG-9), Known to exist as early as Mar. 5, 2018, p. 2.

Evike.com, “Limited Edition PTS FPG Complete Airsoft Sub-Machine Gun—Black”, Retrieved from <https://www.evike.com/products/33426/>, Known to exist as early as Mar. 5, 2018, p. 3.

SB Tactical, “Pistol Stabilizing Braces”, Retrieved from <https://www.sb-tactical.com/product-category/brace/>, Known to exist as early as Mar. 5, 2018, p. 8.

Gear Head Works, “Tailhook Pistol Brace”, Retrieved from [http://www.gearheadworks.com/index.php?main\\_page=index&cPath=1](http://www.gearheadworks.com/index.php?main_page=index&cPath=1), Known to exist as early as Mar. 5, 2018, p. 10.

Kato, Shinju, “Office Action Regarding Japanese Design Application No. 2018-014703”, Aug. 23, 2018, p. 2 Published in: JP.

\* cited by examiner

*Primary Examiner* — Khawaja Anwar

*Assistant Examiner* — Mojtaba Tehrani

(74) *Attorney, Agent, or Firm* — Neugeboren O’Dowd PC

(57) **CLAIM**

The ornamental design for a folding gun, as shown.

**DESCRIPTION**

FIG. 1 is a front left top perspective view of the folding gun in a deployed configuration;

FIG. 2 is a front left top perspective view of the folding gun in FIG. 1 in a folded configuration;

FIG. 3 is a back right bottom perspective view of the folding gun in FIG. 1 in the folded configuration;

FIG. 4 is a back right bottom perspective view of the folding gun in FIG. 1 in the deployed configuration;

FIG. 5 is a left side elevation view of the folding gun in FIG. 1;

FIG. 6 is a right side elevation view of the folding gun in FIG. 1;

FIG. 7 is a rear elevation view of the folding gun in FIG. 1;

FIG. 8 is a front elevation view of the folding gun in FIG. 1;

FIG. 9 is a top view of the folding gun in FIG. 1;

FIG. 10 is a bottom view of the folding gun in FIG. 1;

FIG. 11 is a left front top perspective view of a variation of the folding gun in FIG. 1 in a folded configuration;

FIG. 12 is a back right bottom perspective view of the folding gun in FIG. 11 in a deployed configuration;

FIG. 13 is a front left top perspective view of another variation of the folding gun in FIG. 1 in a folded configuration;

FIG. 14 is a back right bottom perspective view of the folding gun in FIG. 13 in a deployed configuration;

FIG. 15 is a front left top perspective view of another embodiment of a folding gun in a deployed configuration;

FIG. 16 is a front left top perspective view of the folding gun in FIG. 15 in a folded configuration;

FIG. 17 is a back right bottom perspective view of the folding gun in FIG. 15 in the folded configuration;

FIG. 18 is a back right bottom perspective view of the folding gun in FIG. 15 in the deployed configuration;

FIG. 19 is a left side elevation view of the folding gun in FIG. 15;

FIG. 20 is a right side elevation view of the folding gun in FIG. 15;

FIG. 21 is a rear elevation view of the folding gun in FIG. 15;

FIG. 22 is a front elevation view of the folding gun in FIG. 15;

FIG. 23 is a top view of the folding gun in FIG. 15;

FIG. 24 is a bottom view of the folding gun in FIG. 15;

FIG. 25 is a left front top perspective view of a variation of the folding gun in FIG. 15 in a folded configuration;

FIG. 26 is a back right bottom perspective view of the folding gun in FIG. 25 in a deployed configuration;

FIG. 27 is a front left top perspective view of another variation of the folding gun in FIG. 15 in a folded configuration; and,

FIG. 28 is a back right bottom perspective view of the folding gun in FIG. 27 in a deployed configuration.

The shade lines in the Figures show contour and not surface ornamentation.

The broken lines showing portions of the design in all figures are included for the purpose of illustrating environment and do not form a part of the claimed design.

**1 Claim, 24 Drawing Sheets**

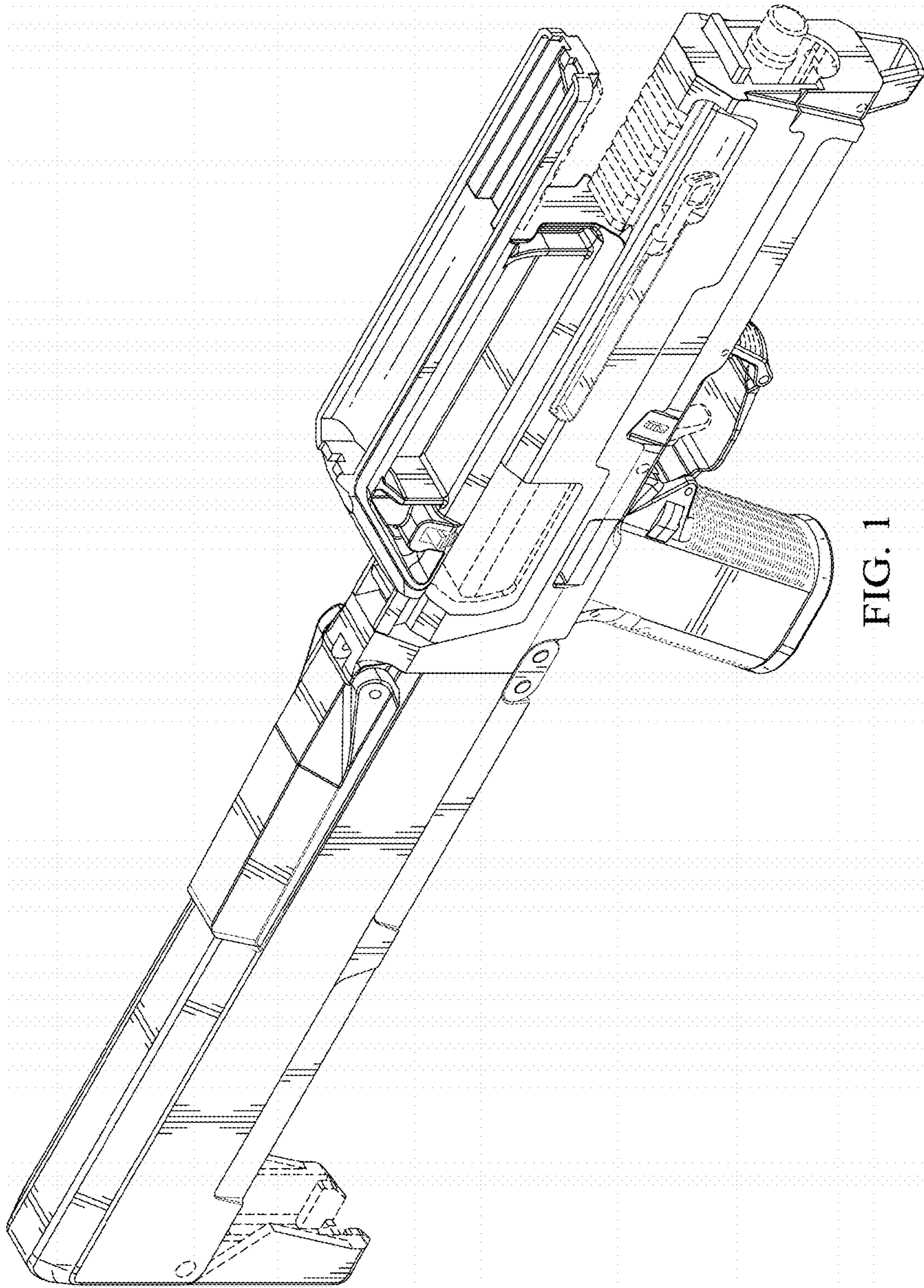


FIG. 1



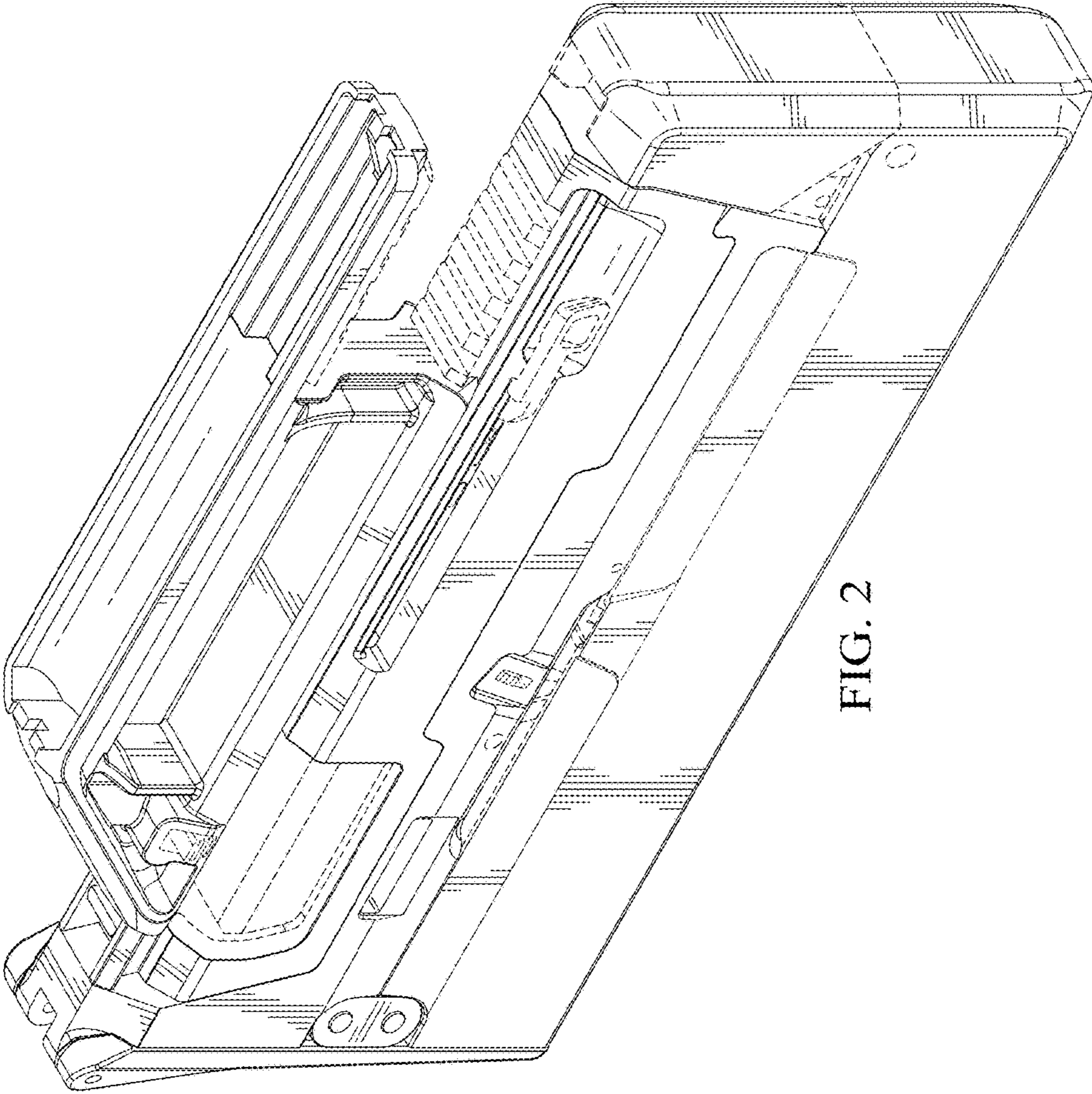


FIG. 2

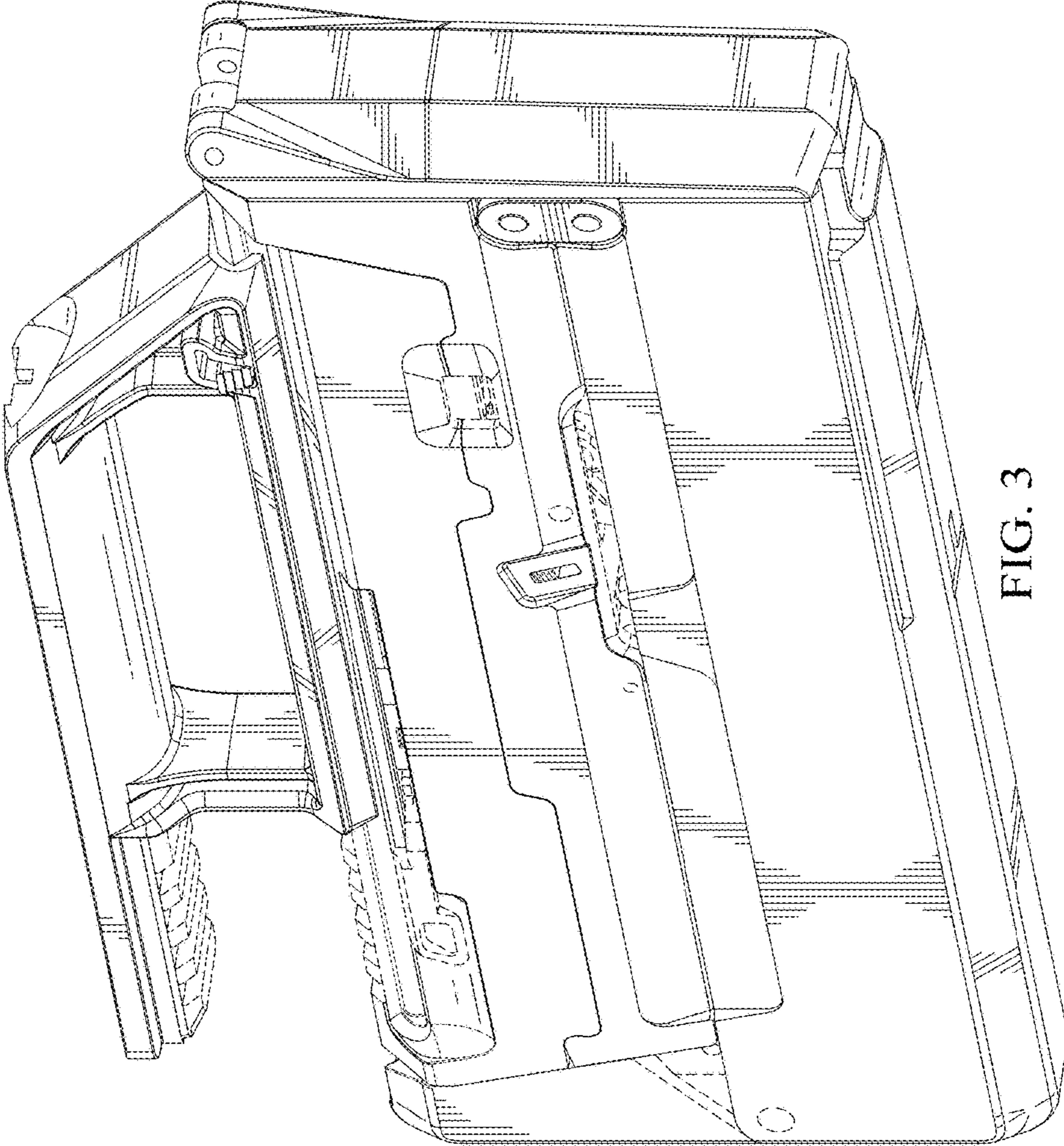


FIG. 3

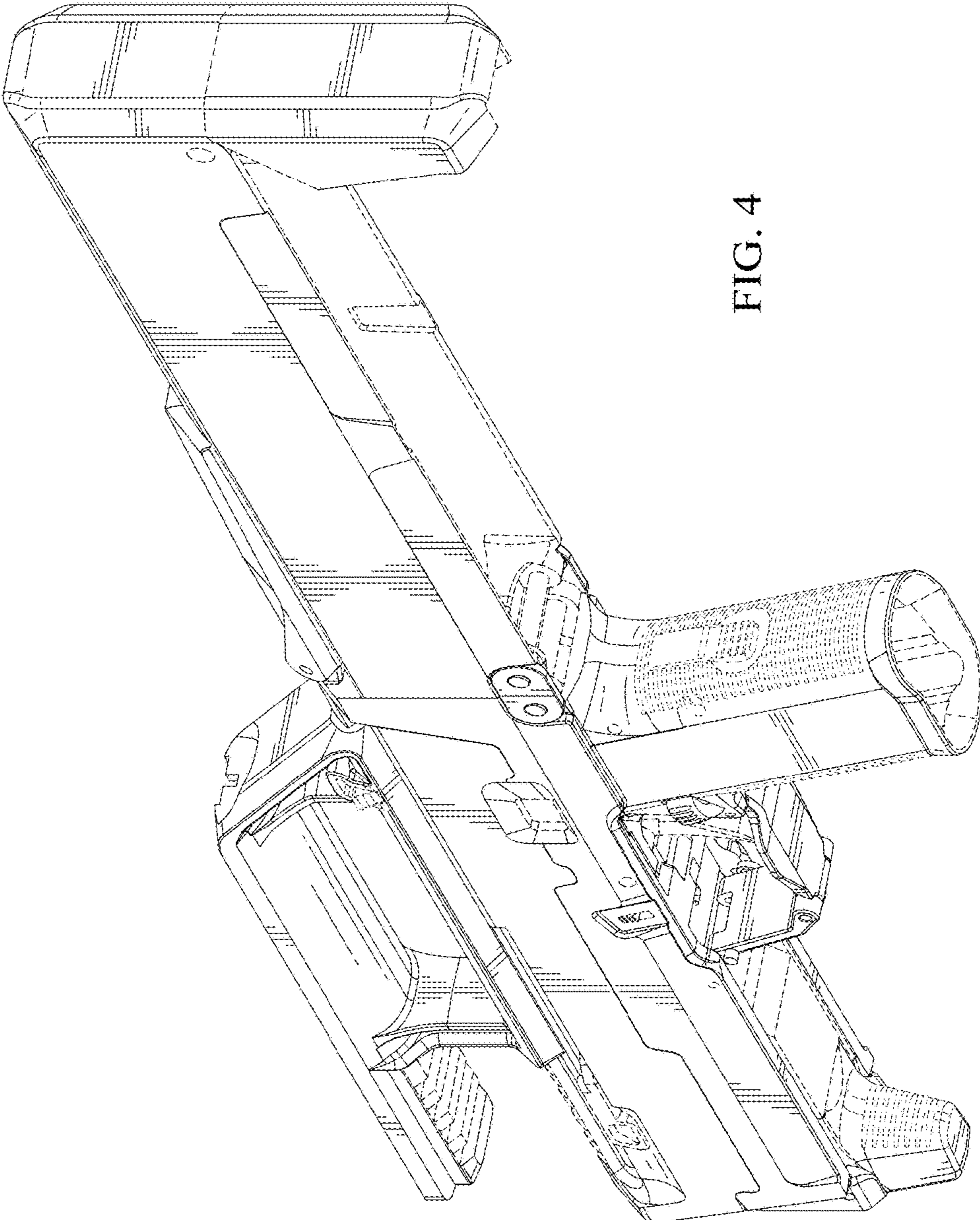


FIG. 4



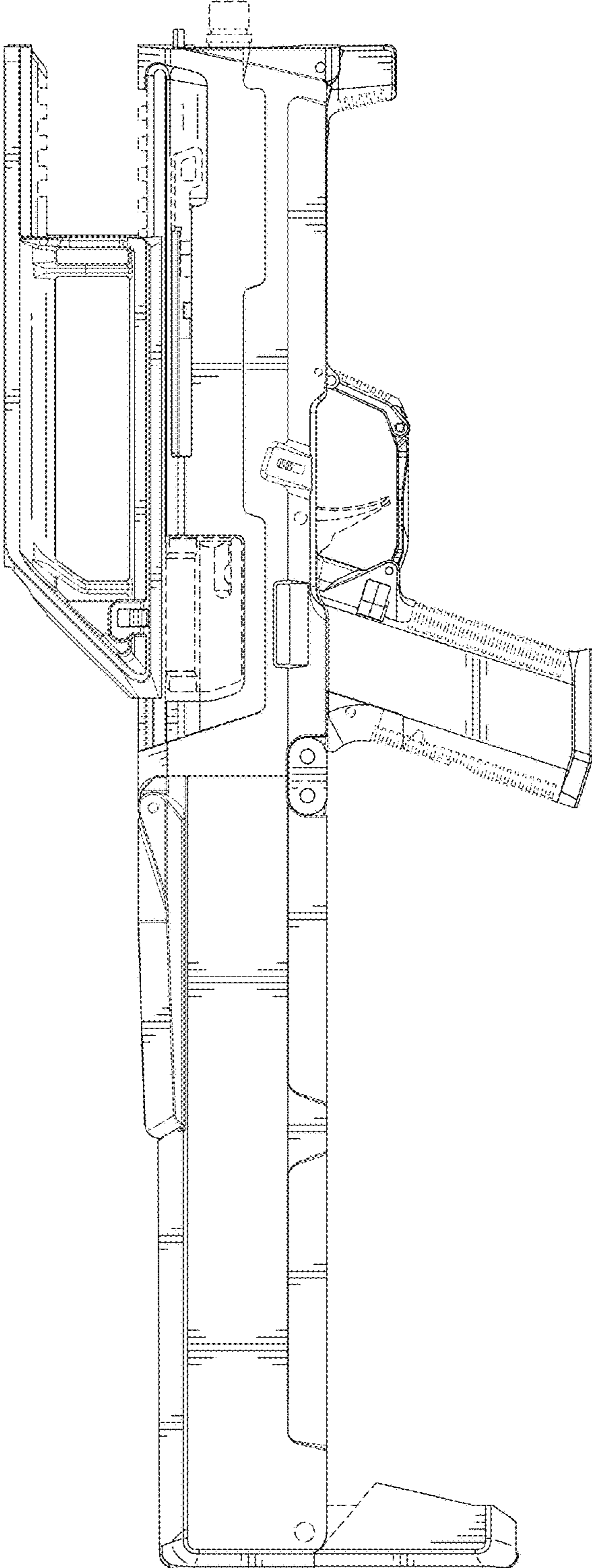


FIG. 5

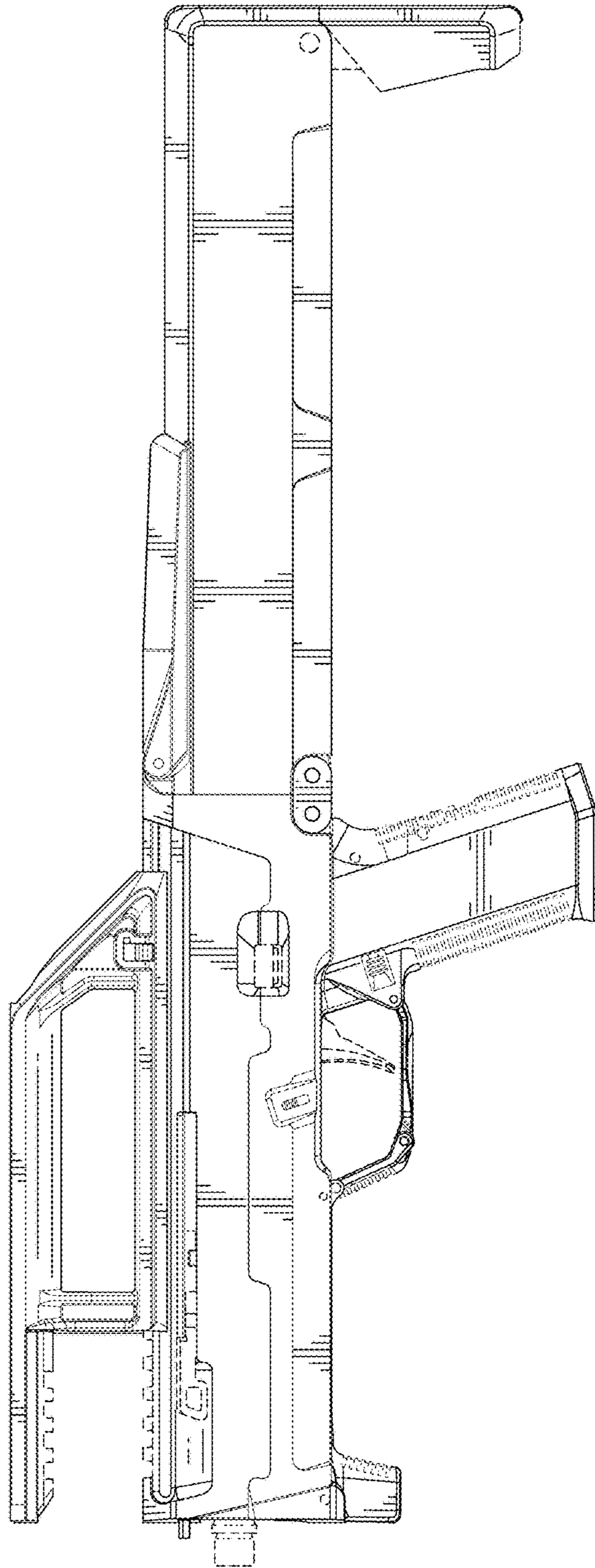


FIG. 6



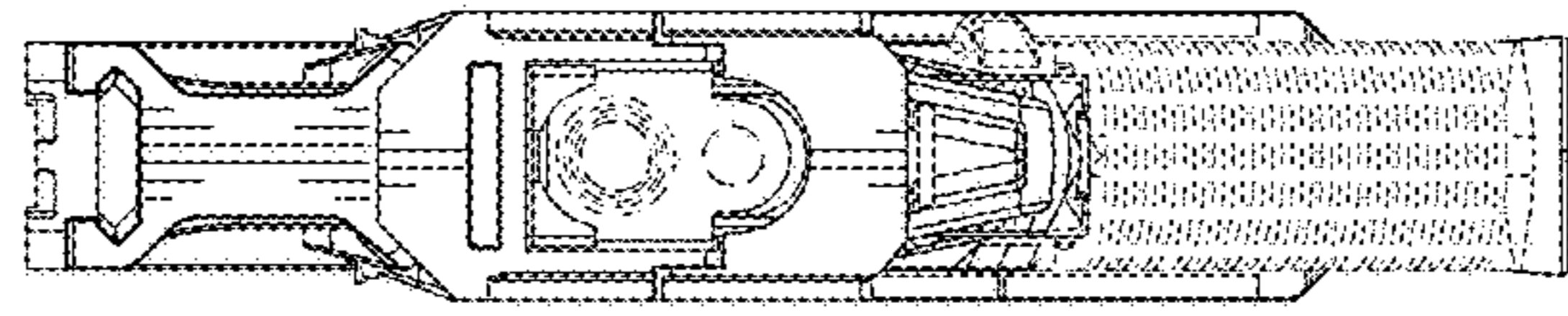


FIG. 8

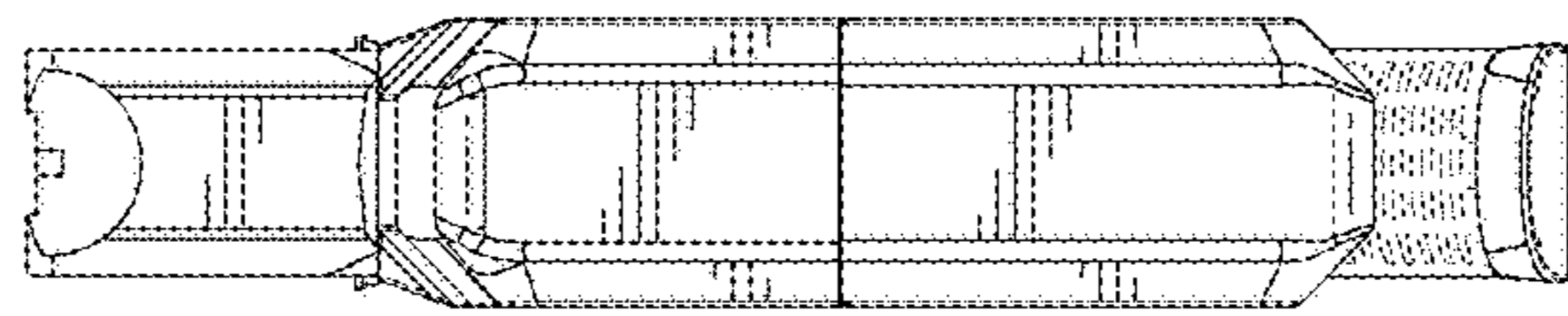


FIG. 7

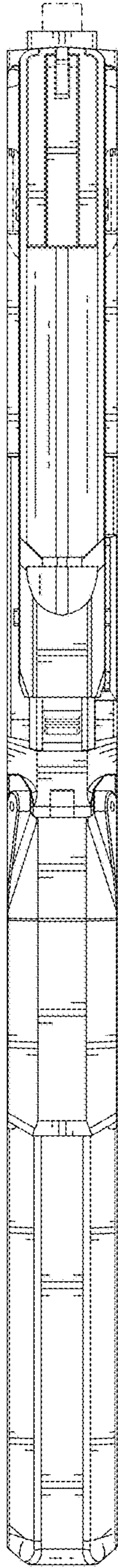


FIG. 9

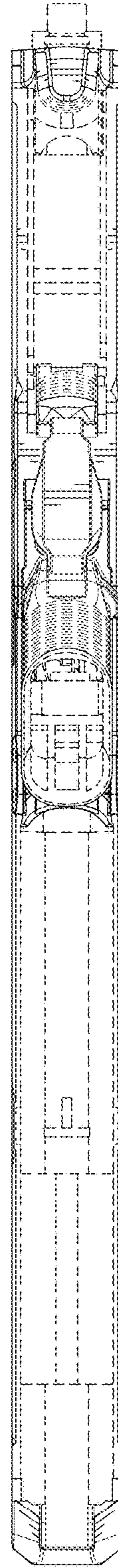


FIG. 10



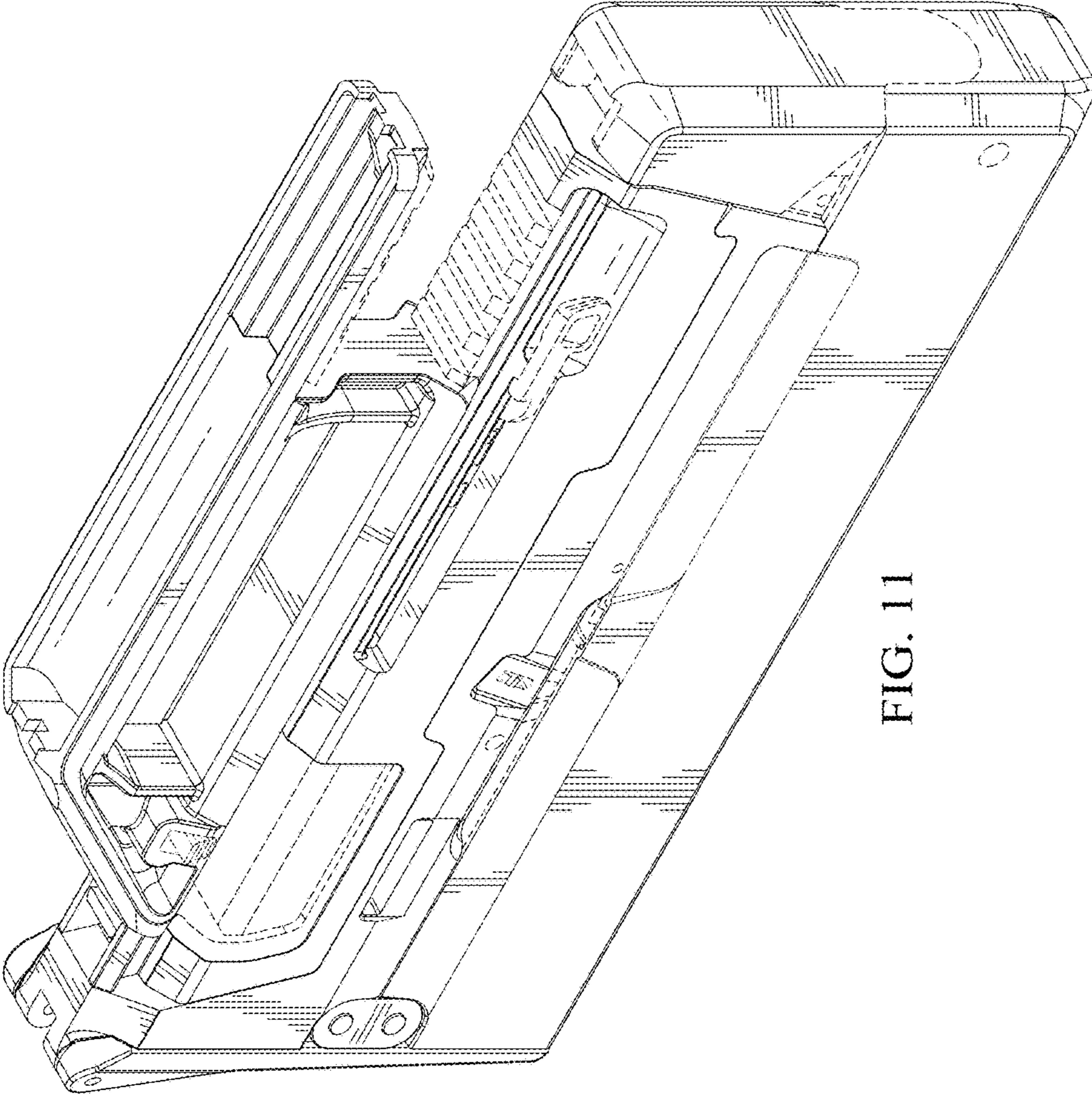


FIG. 11

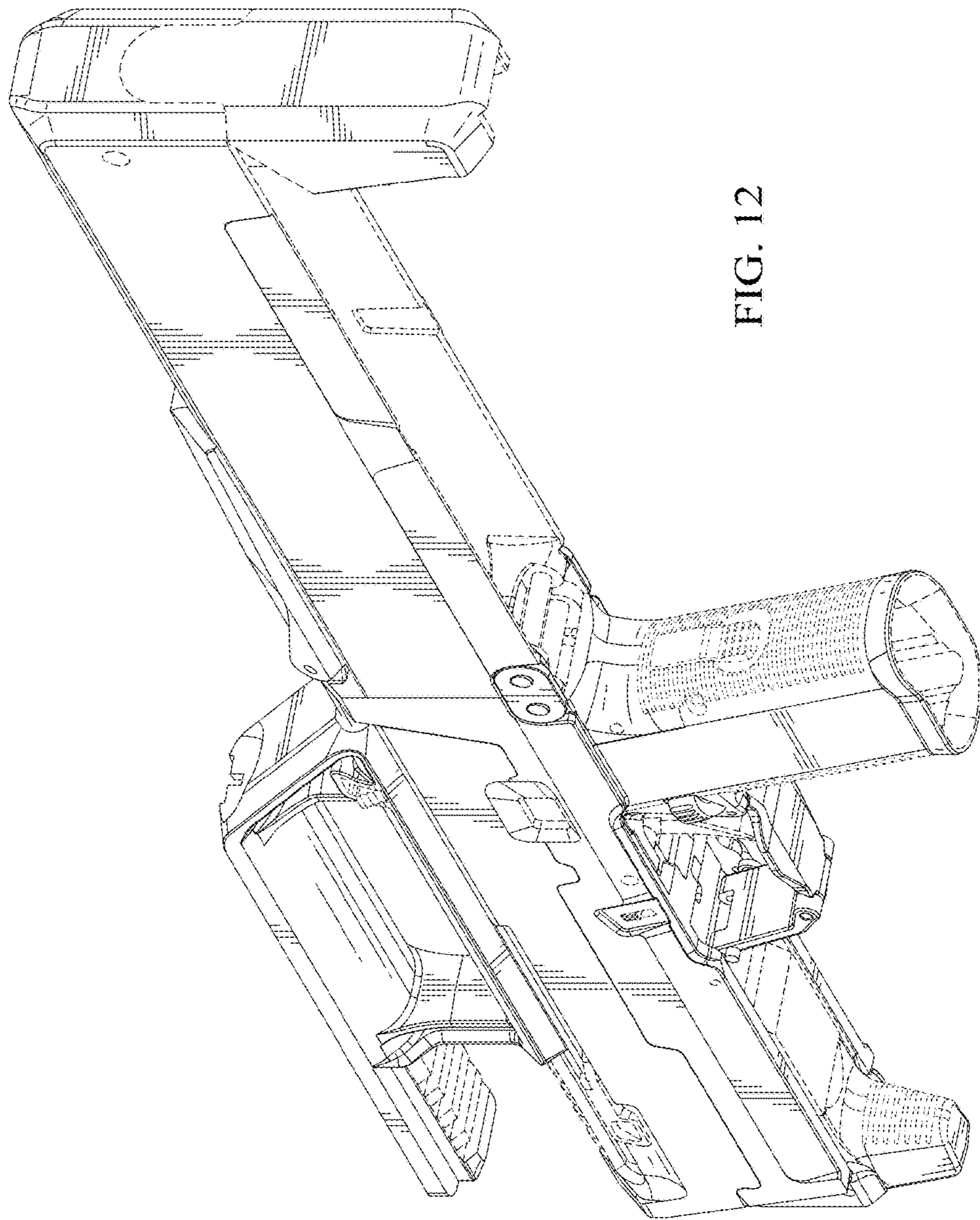


FIG. 12



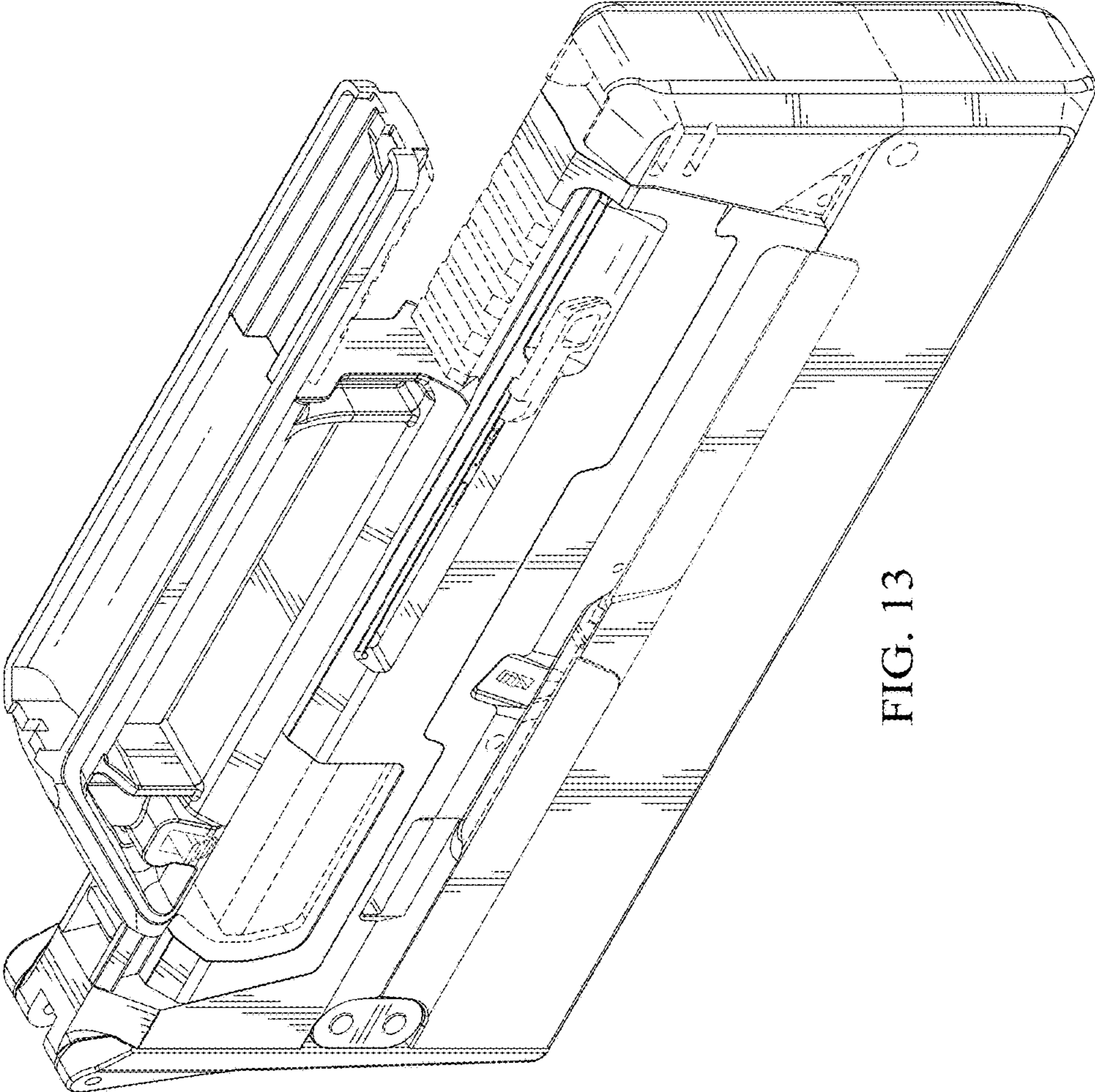


FIG. 13

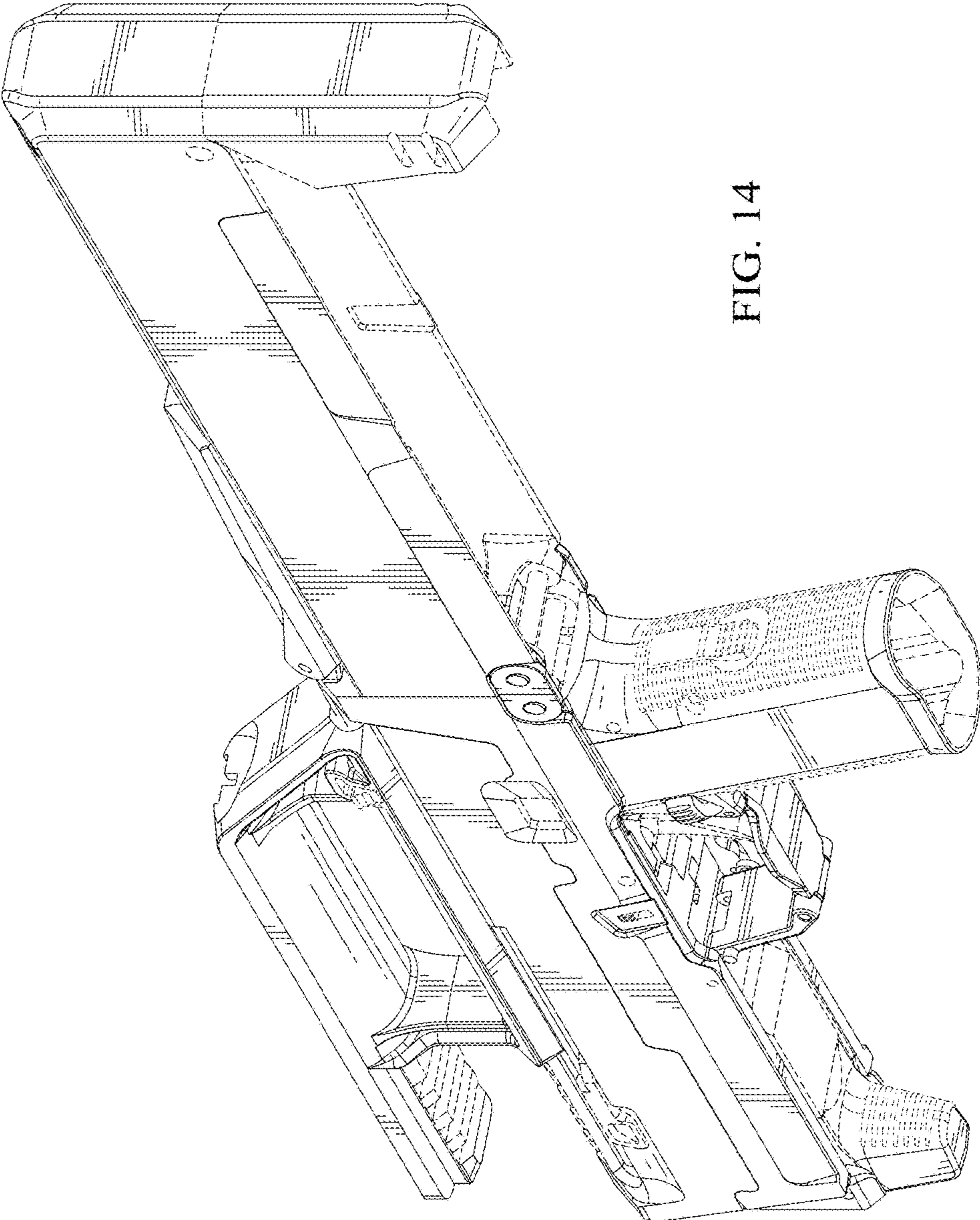


FIG. 14



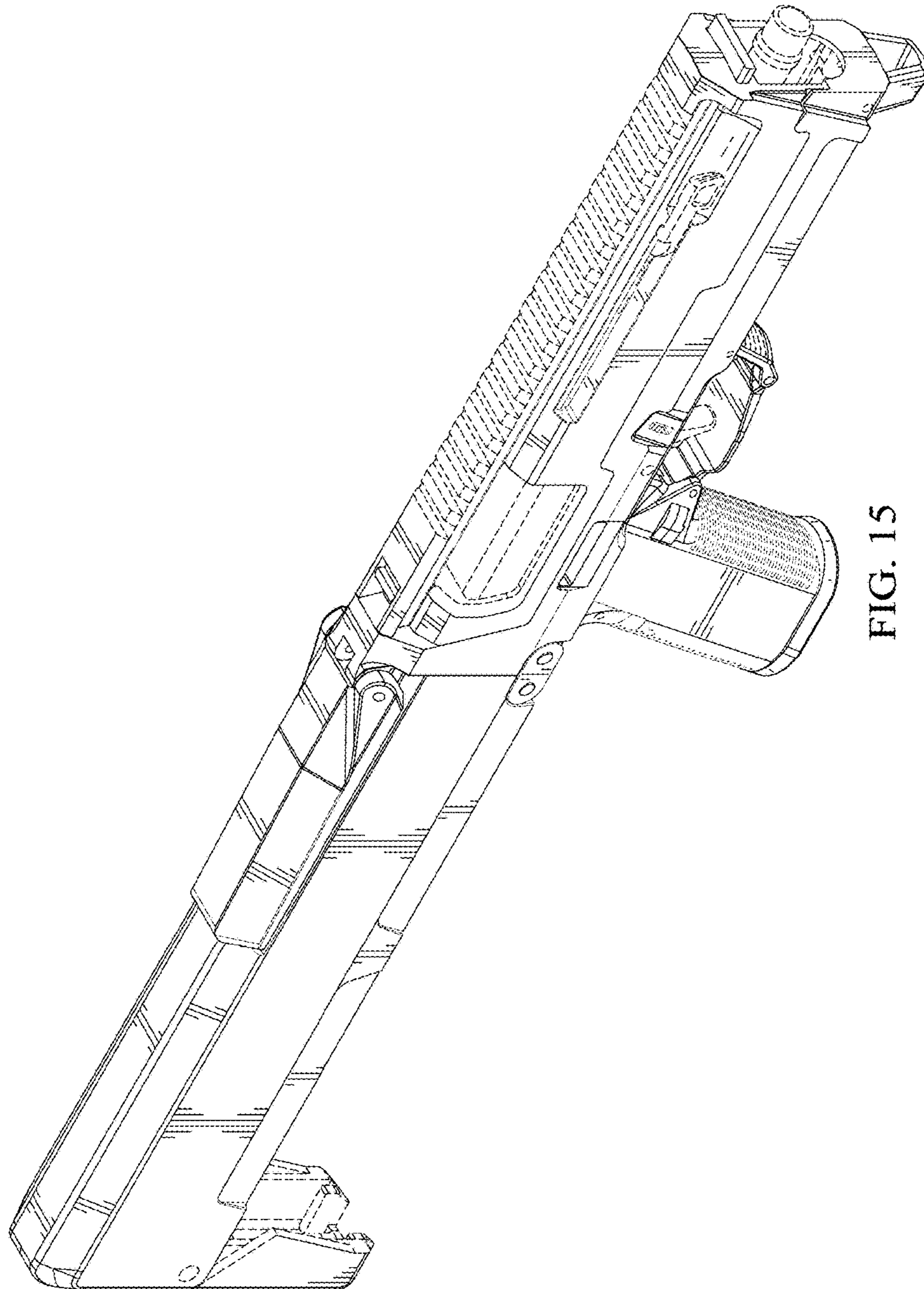


FIG. 15

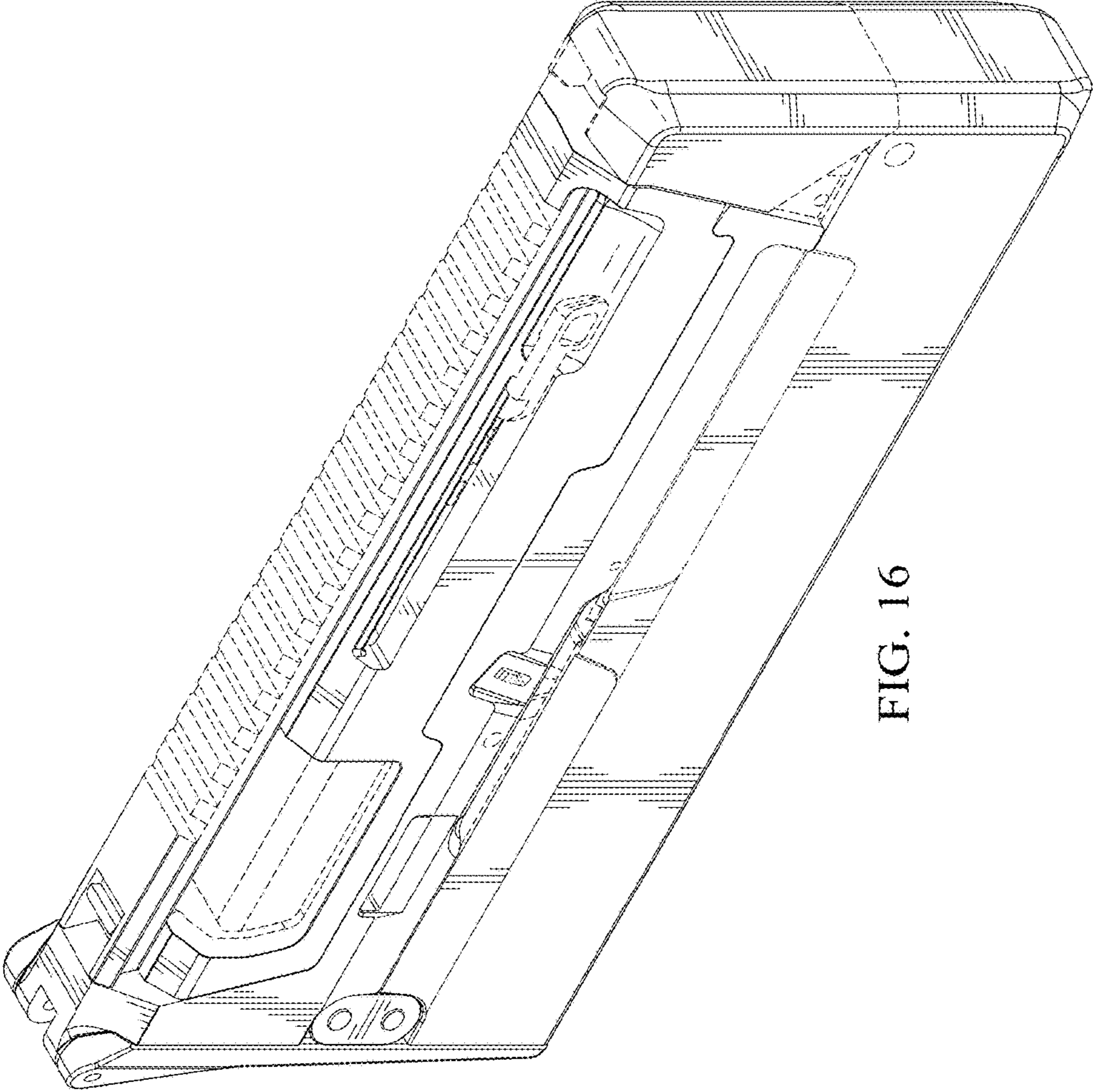


FIG. 16

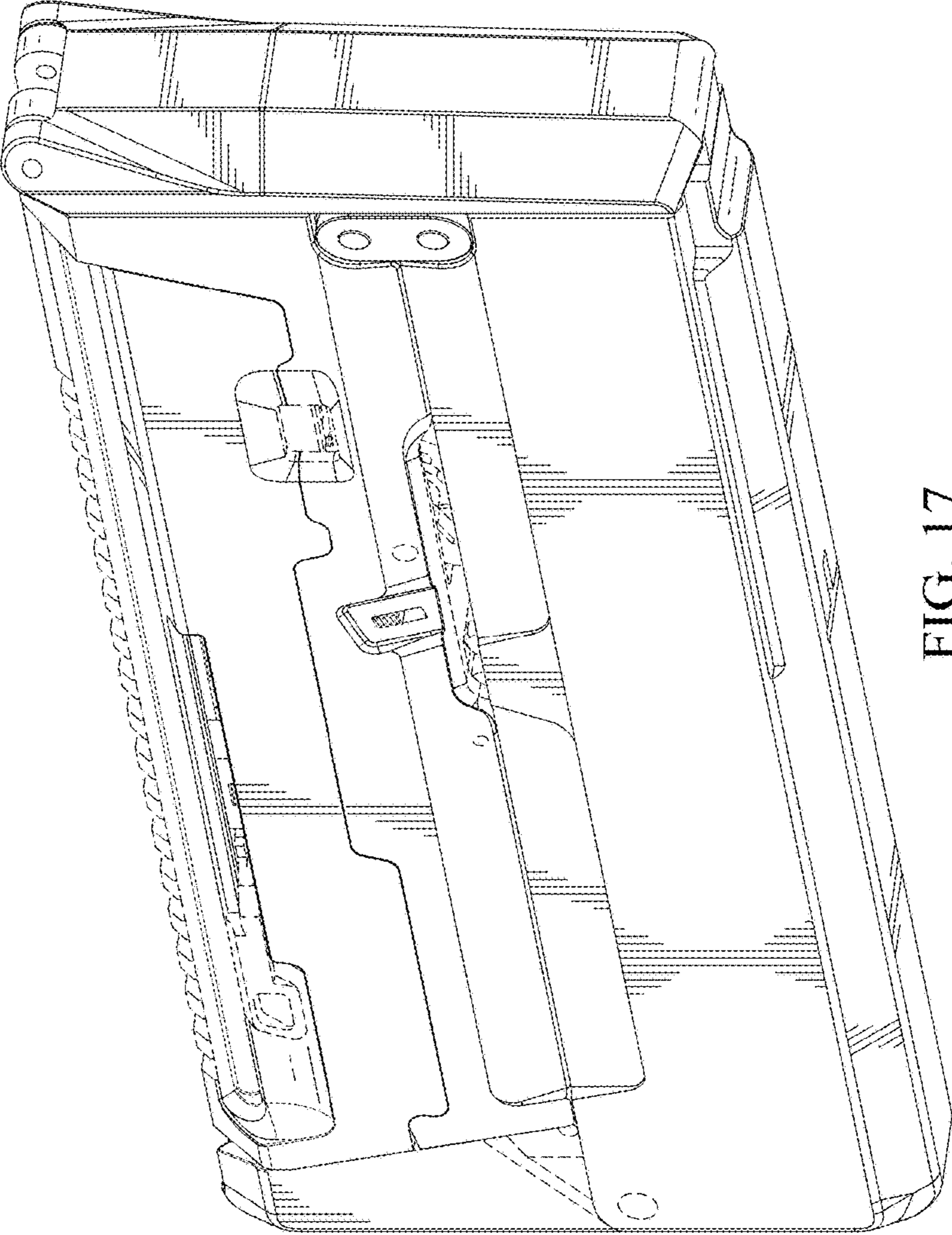


FIG. 17



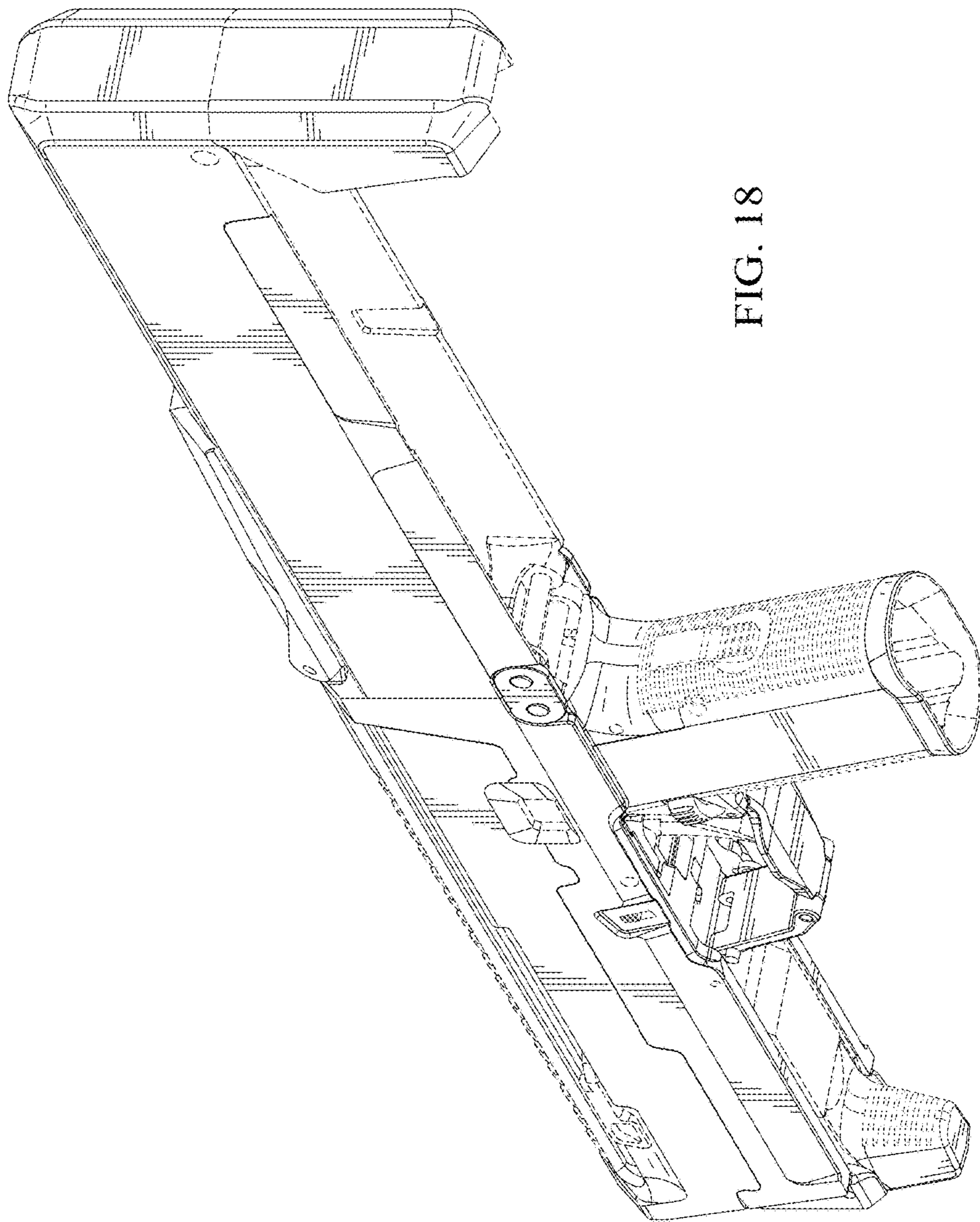


FIG. 18

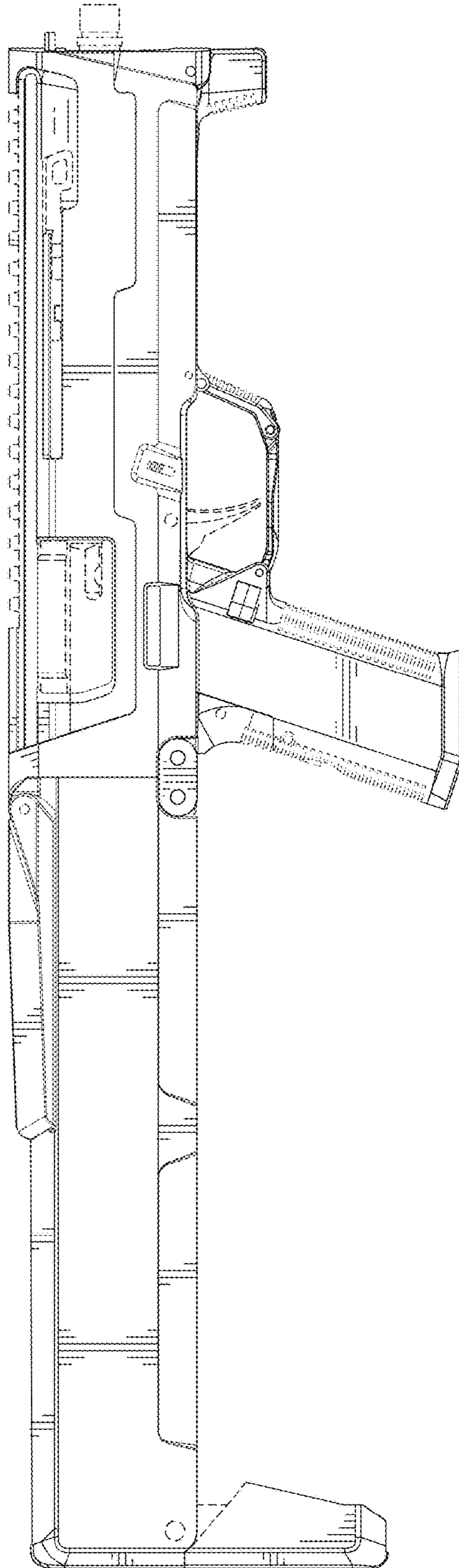


FIG. 19

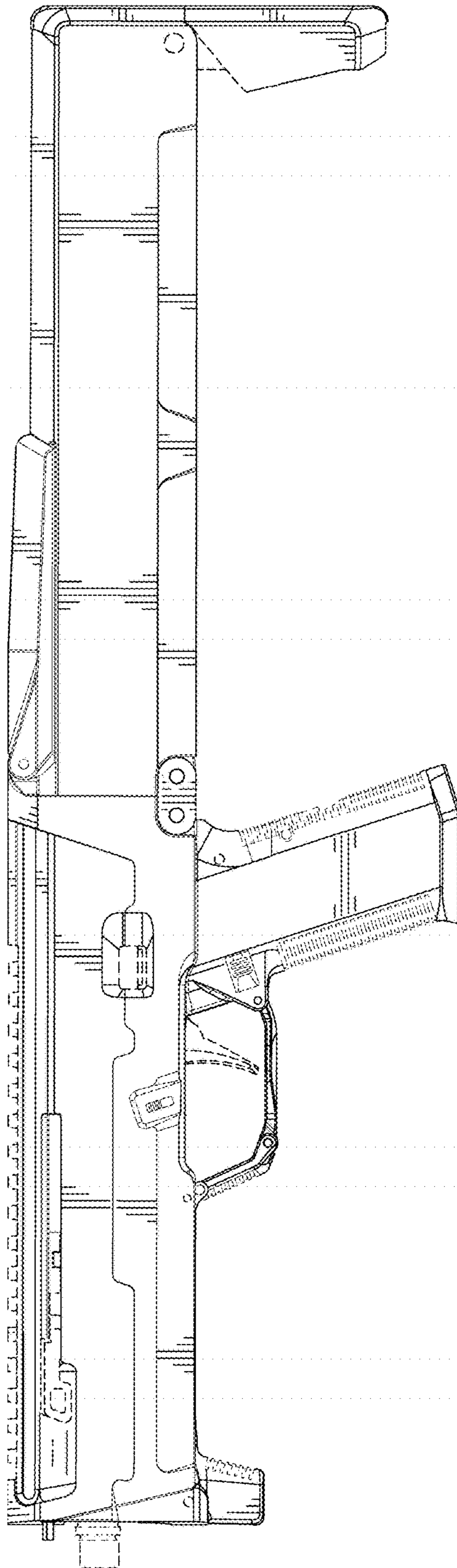


FIG. 20



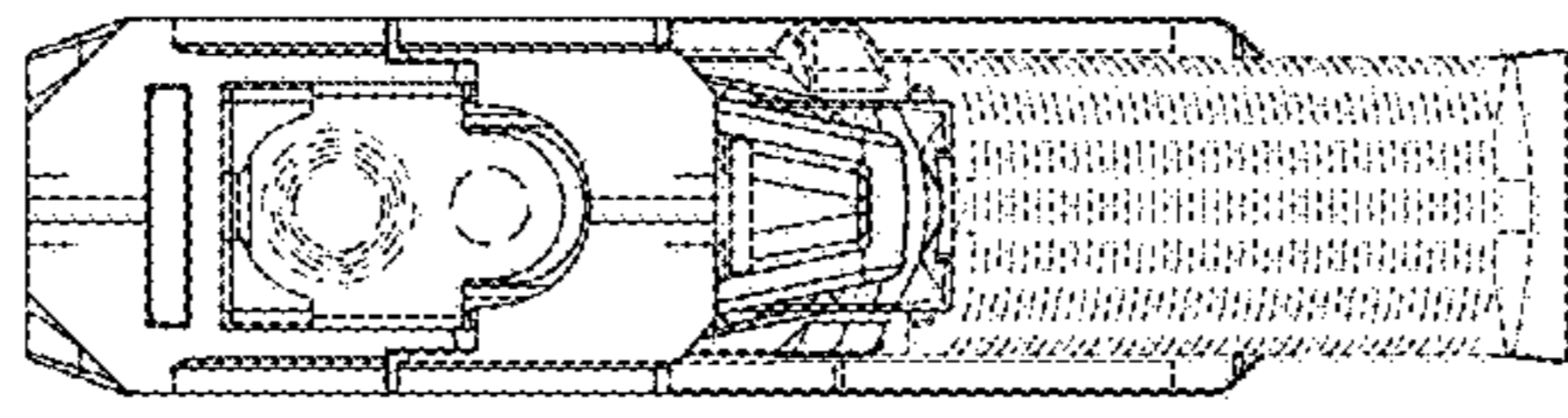


FIG. 22

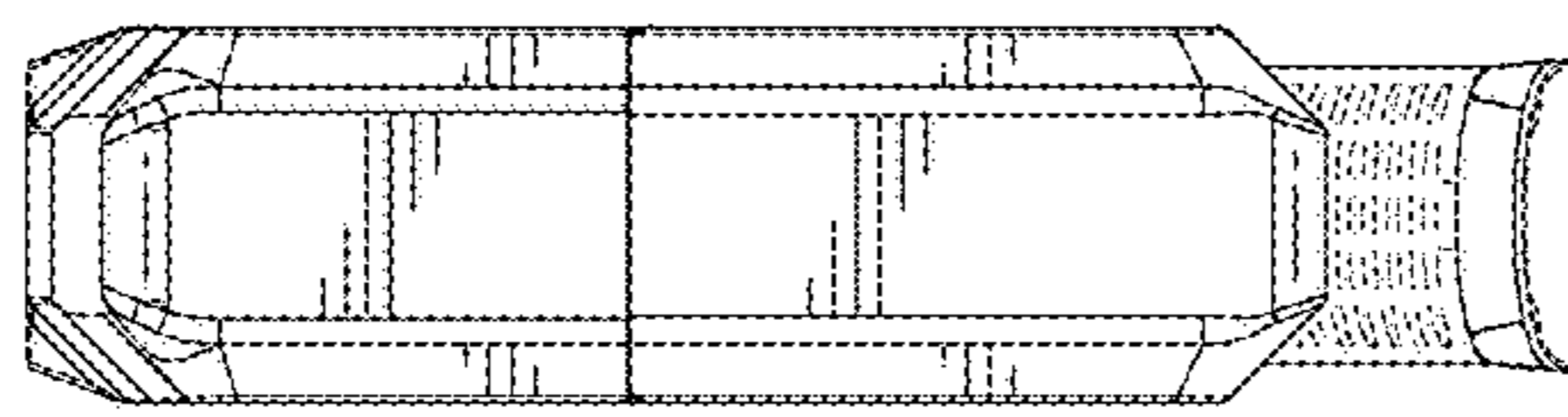


FIG. 21

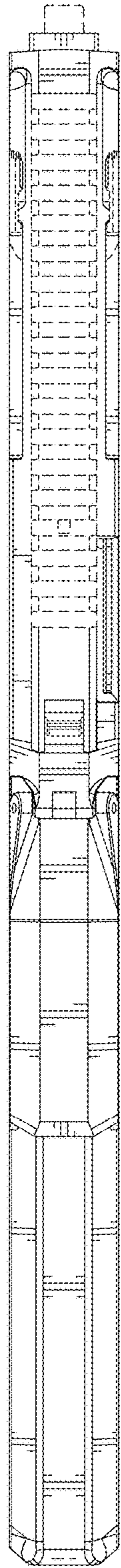


FIG. 23

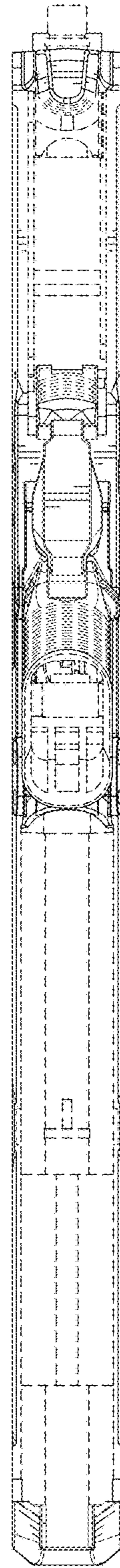


FIG. 24

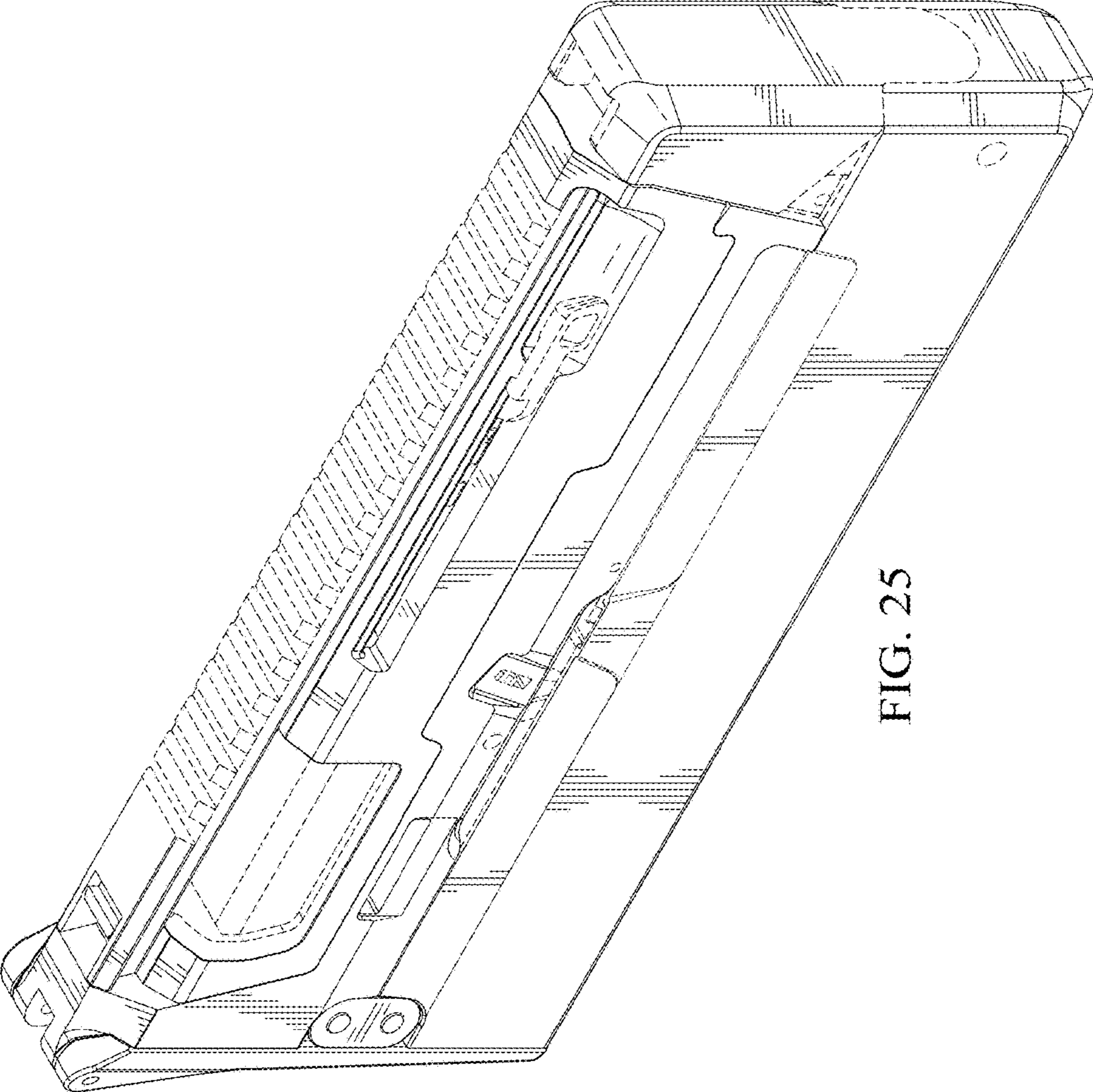


FIG. 25



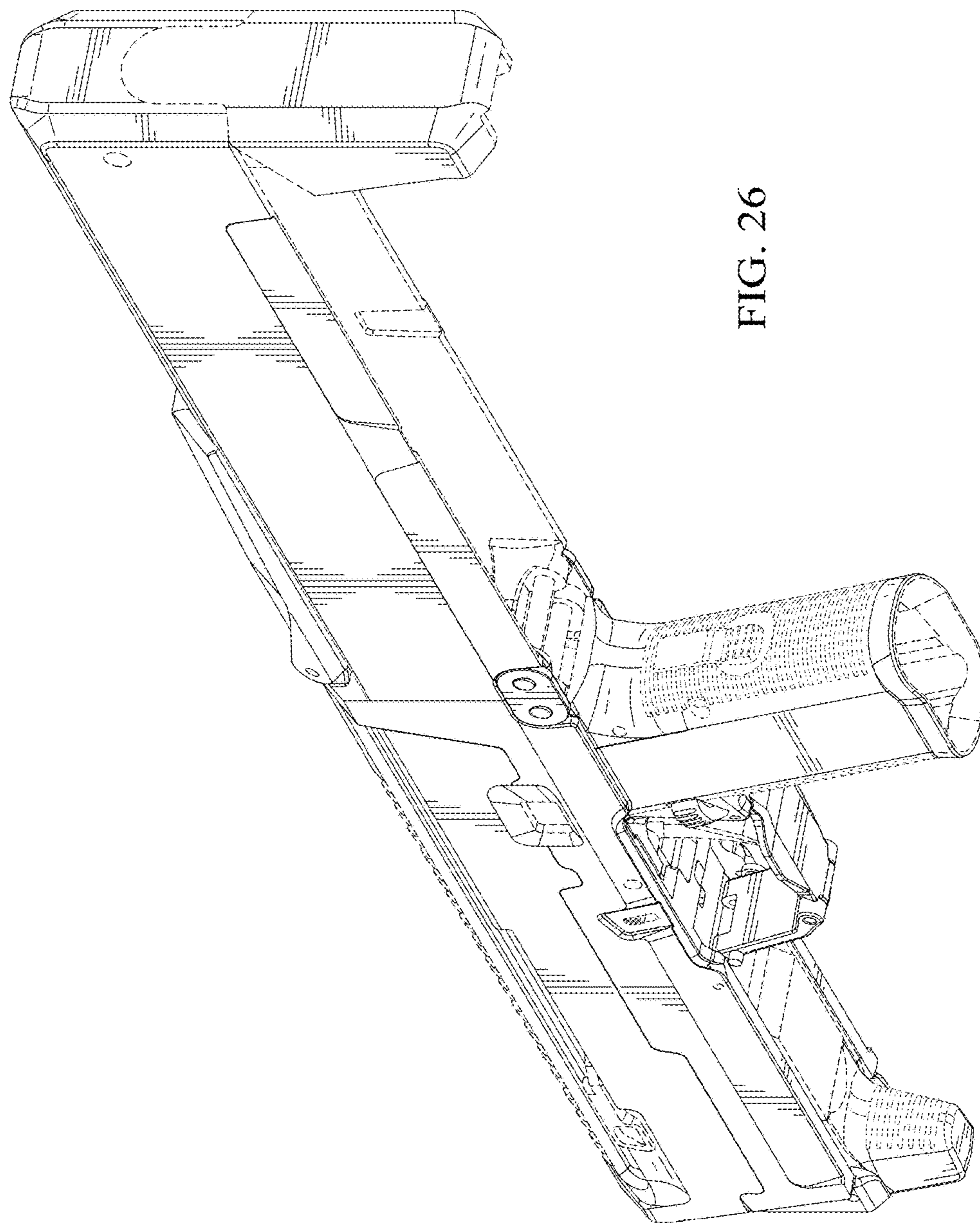


FIG. 26

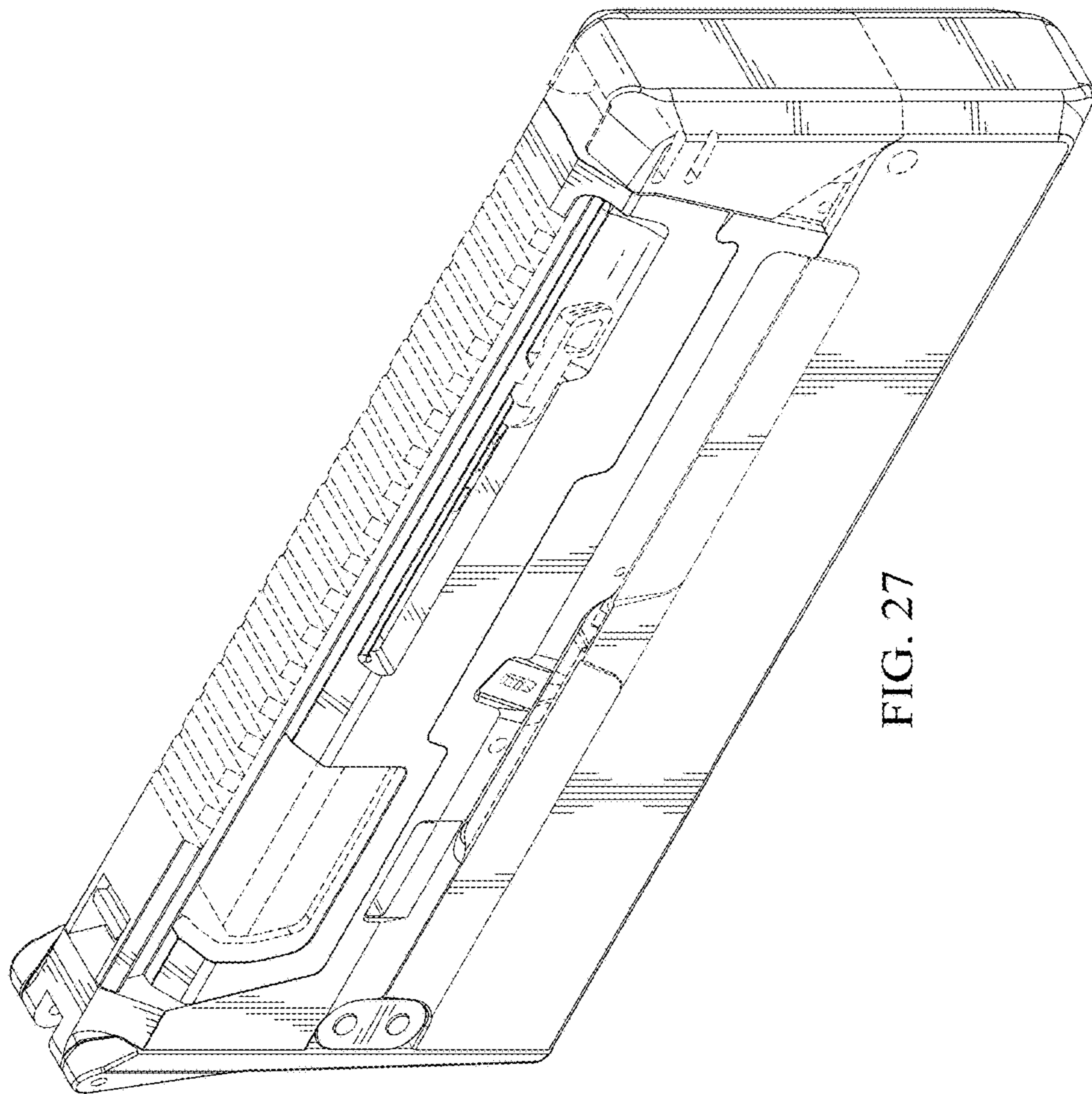


FIG. 27

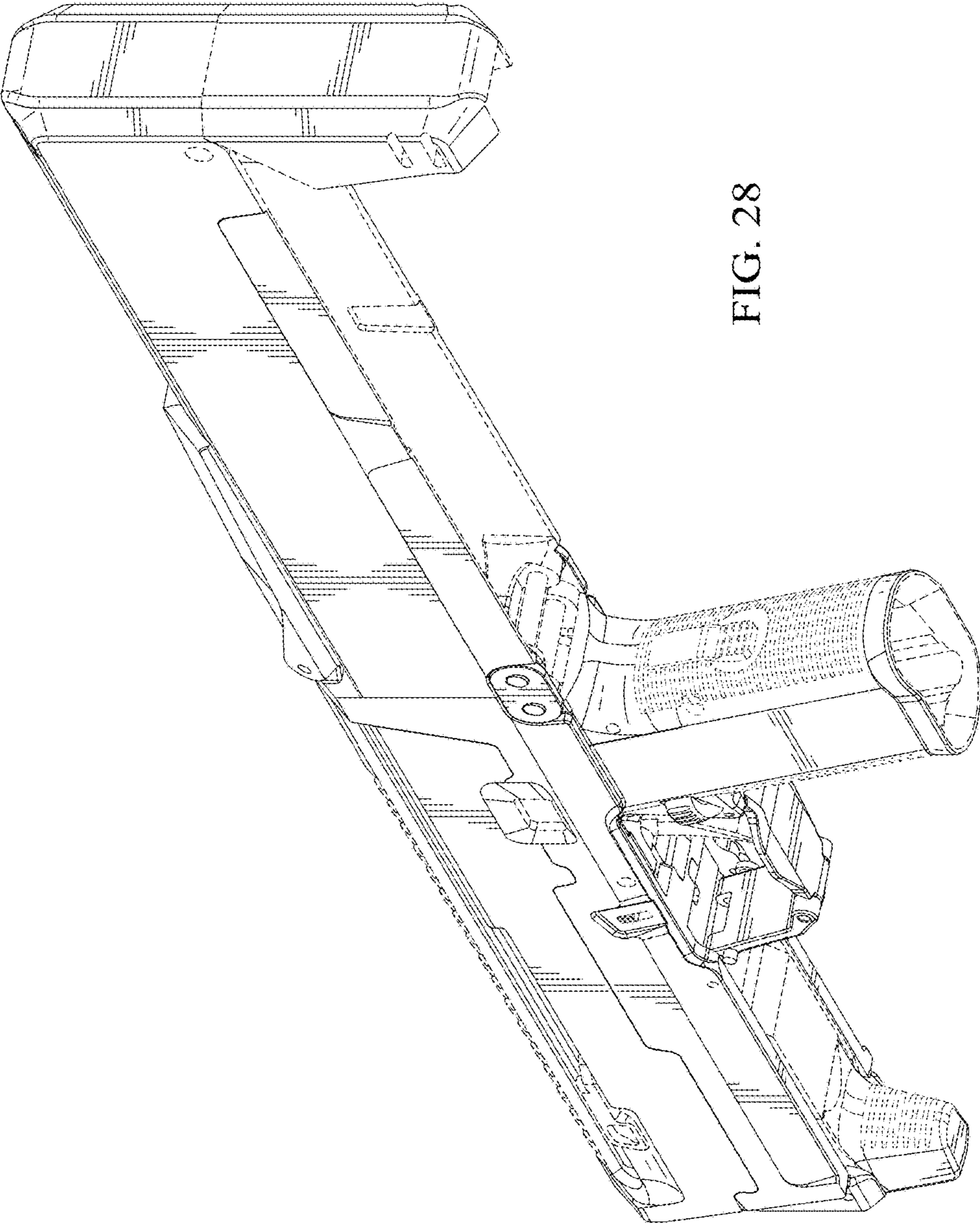


FIG. 28