

US00D849867S

(12) **United States Design Patent** (10) **Patent No.:** **US D849,867 S**  
**Barrett et al.** (45) **Date of Patent:** **\*\* May 28, 2019**

(54) **INFLATABLE DEVICE**  
(71) Applicant: **FUNBOY, LLC**, Seattle, WA (US)  
(72) Inventors: **Blake Miller Barrett**, Seattle, WA (US); **Maxwell Page Barrett**, Seattle, WA (US)  
(73) Assignee: **FUNBOY, LLC**, Seattle, WA (US)  
(\*\*) Term: **15 Years**  
(21) Appl. No.: **29/597,904**  
(22) Filed: **Mar. 21, 2017**  
(51) **LOC (11) Cl.** ..... **21-02**  
(52) **U.S. Cl.**  
USPC ..... **D21/808**  
(58) **Field of Classification Search**  
USPC ..... D21/769, 770, 801, 803, 804, 805, 806, D21/807, 808, 809; D12/5, 6, 316; D6/392, 395, 596, 601, 604, 605  
CPC ..... B63B 35/79; B63B 35/73; B63B 1/00; B63B 35/76  
See application file for complete search history.

D783,370 S \* 4/2017 Su ..... D21/808  
D785,119 S \* 4/2017 Hempton ..... D21/808  
D787,617 S \* 5/2017 Krepack ..... D21/808  
D799,627 S \* 10/2017 de Grasse ..... D21/808  
D800,861 S \* 10/2017 Hsu ..... D21/808  
2012/0228175 A1\* 9/2012 Ressel ..... E04H 4/14  
206/457

**OTHER PUBLICATIONS**

<http://www.instyle.com/lifestyle/home-decorating/donald-robertson-pool-float>—Published Jun. 6, 2017.\*  
<http://observer.com/2017/07/how-funboy-floats-became-the-ultimate-status-symbol-on-instagram-thanks-to-taylor-swift/>—Published Jul. 4, 2017.\*

\* cited by examiner

*Primary Examiner* — Khawaja Anwar  
*Assistant Examiner* — Mojtaba Tehrani  
(74) *Attorney, Agent, or Firm* — Lee & Hayes, P.C.

(57) **CLAIM**

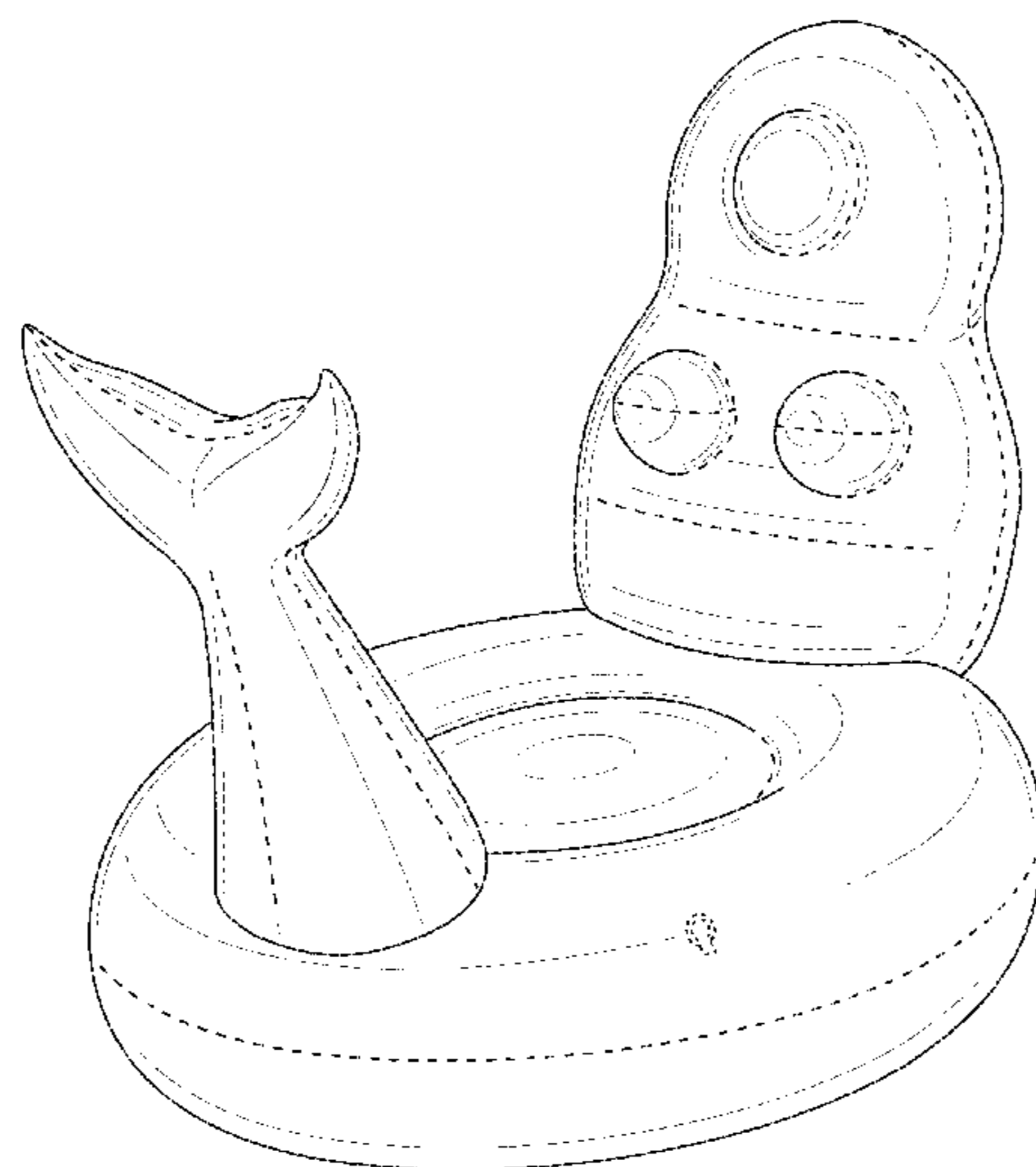
The ornamental design for an inflatable device, as shown and described.

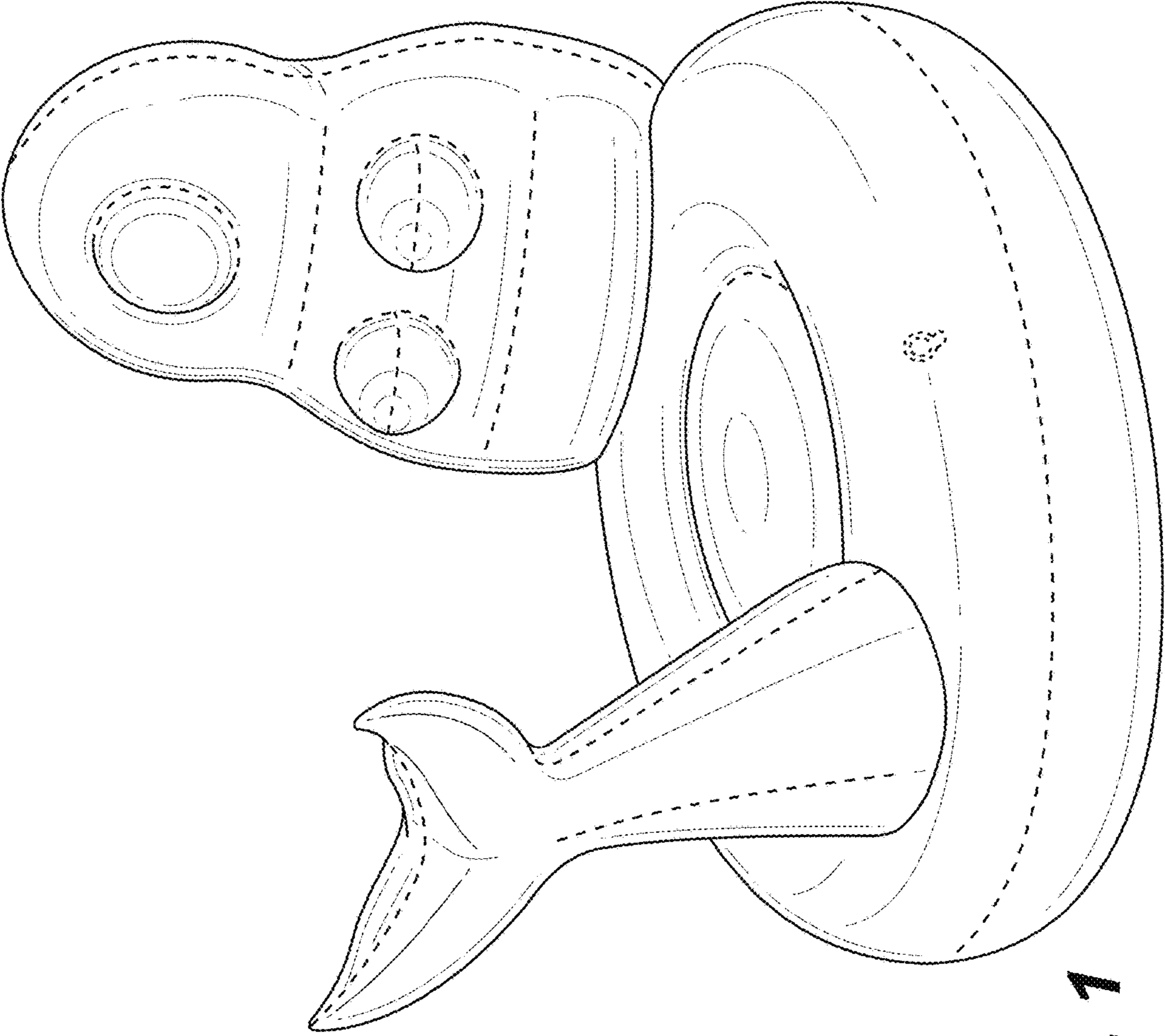
**DESCRIPTION**

FIG. 1 is a front perspective view of an inflatable device, showing our new design.  
FIG. 2 is a back perspective view thereof;  
FIG. 3 is a front view thereof;  
FIG. 4 is a back view thereof;  
FIG. 5 is a left-side view thereof;  
FIG. 6 is a right-side view thereof;  
FIG. 7 is a top view thereof; and,  
FIG. 8 is a bottom view thereof.  
The dashed broken lines depict portions of the inflatable device which form no part of the claimed design. The dot-dashed broken lines represent boundaries of the claimed inflatable device and form no part of the claimed design.

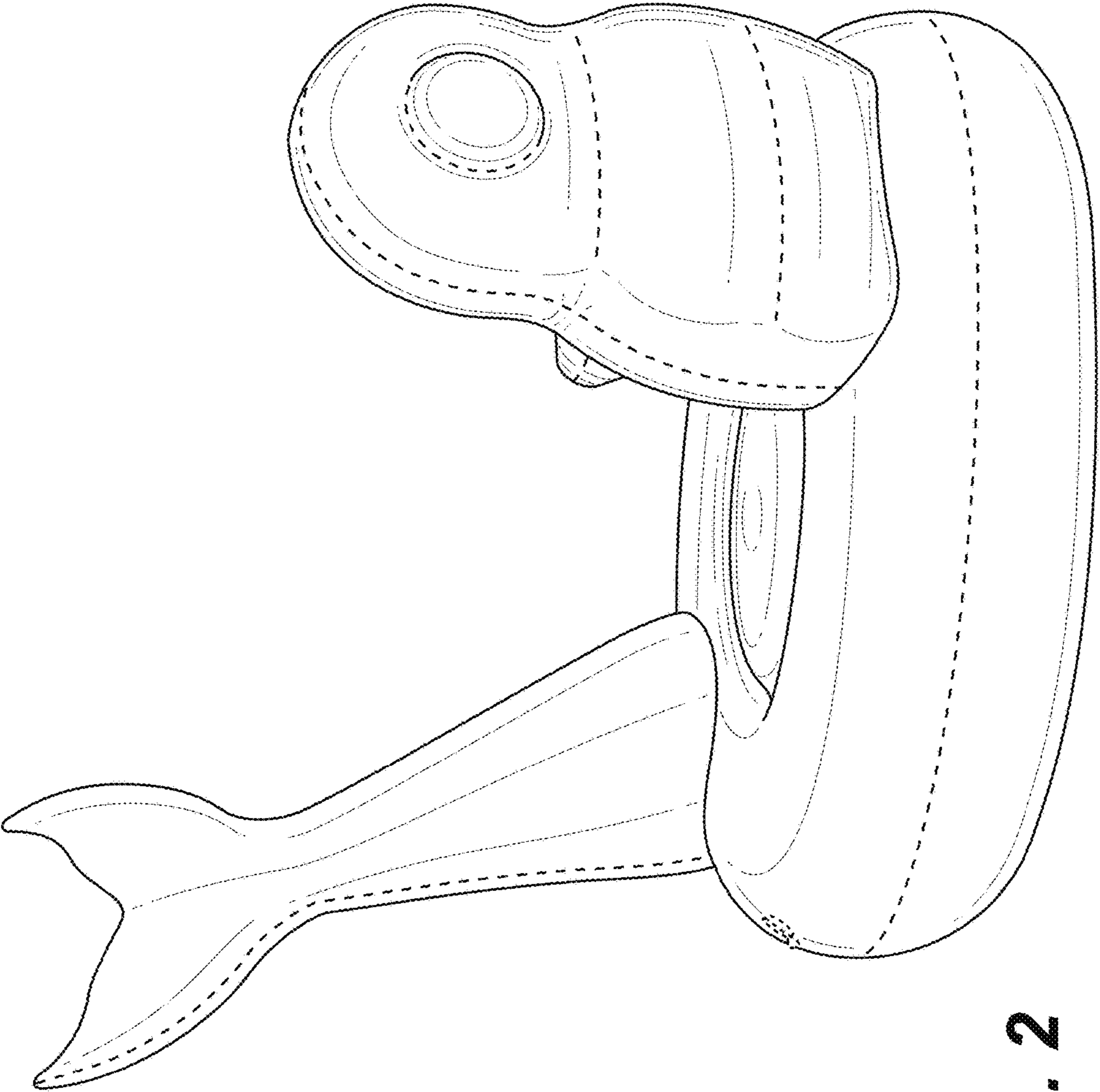
**1 Claim, 8 Drawing Sheets**

(56) **References Cited**  
**U.S. PATENT DOCUMENTS**  
1,566,858 A \* 12/1925 Guinzburg ..... B63C 9/08  
43/3  
D161,906 S \* 2/1951 Cohen ..... D21/608  
D162,126 S \* 2/1951 Burkes ..... D21/620  
D162,333 S \* 3/1951 Moore ..... 446/153  
D163,061 S \* 4/1951 Meyer et al. .... D21/620  
D301,910 S \* 6/1989 Wolfe ..... D21/808  
D302,718 S \* 8/1989 Wolfe ..... D21/620  
D302,995 S \* 8/1989 Wolfe ..... D21/808  
D302,996 S \* 8/1989 Wolfe ..... D21/808  
D347,329 S \* 5/1994 Wilkins ..... D21/808  
D445,285 S \* 7/2001 Kwapis ..... D21/808  
D446,568 S \* 8/2001 Peterson ..... D21/803  
D525,065 S \* 7/2006 Coppola ..... 6/601  
D759,182 S \* 6/2016 Wampold ..... D21/808

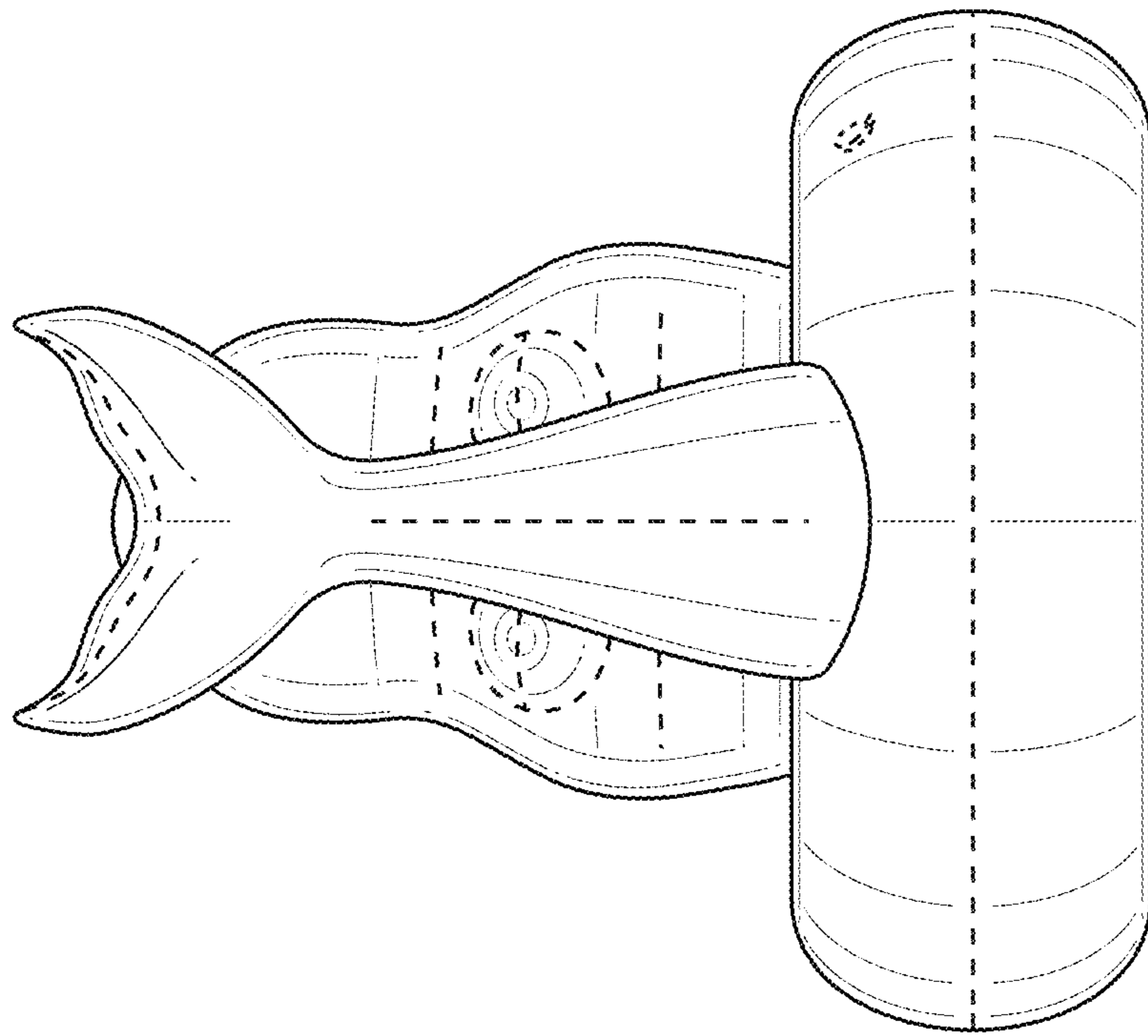




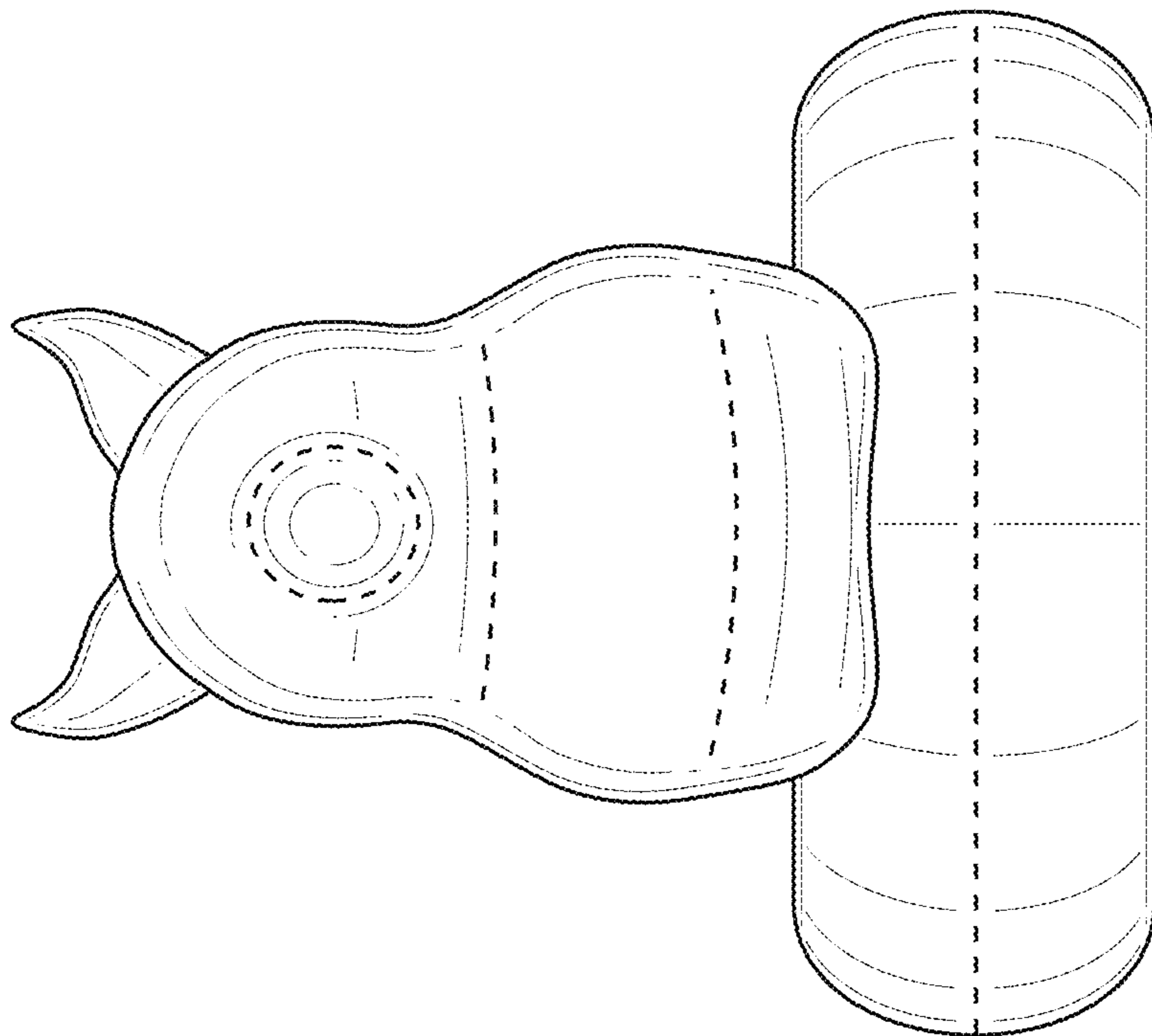
**FIG. 1**



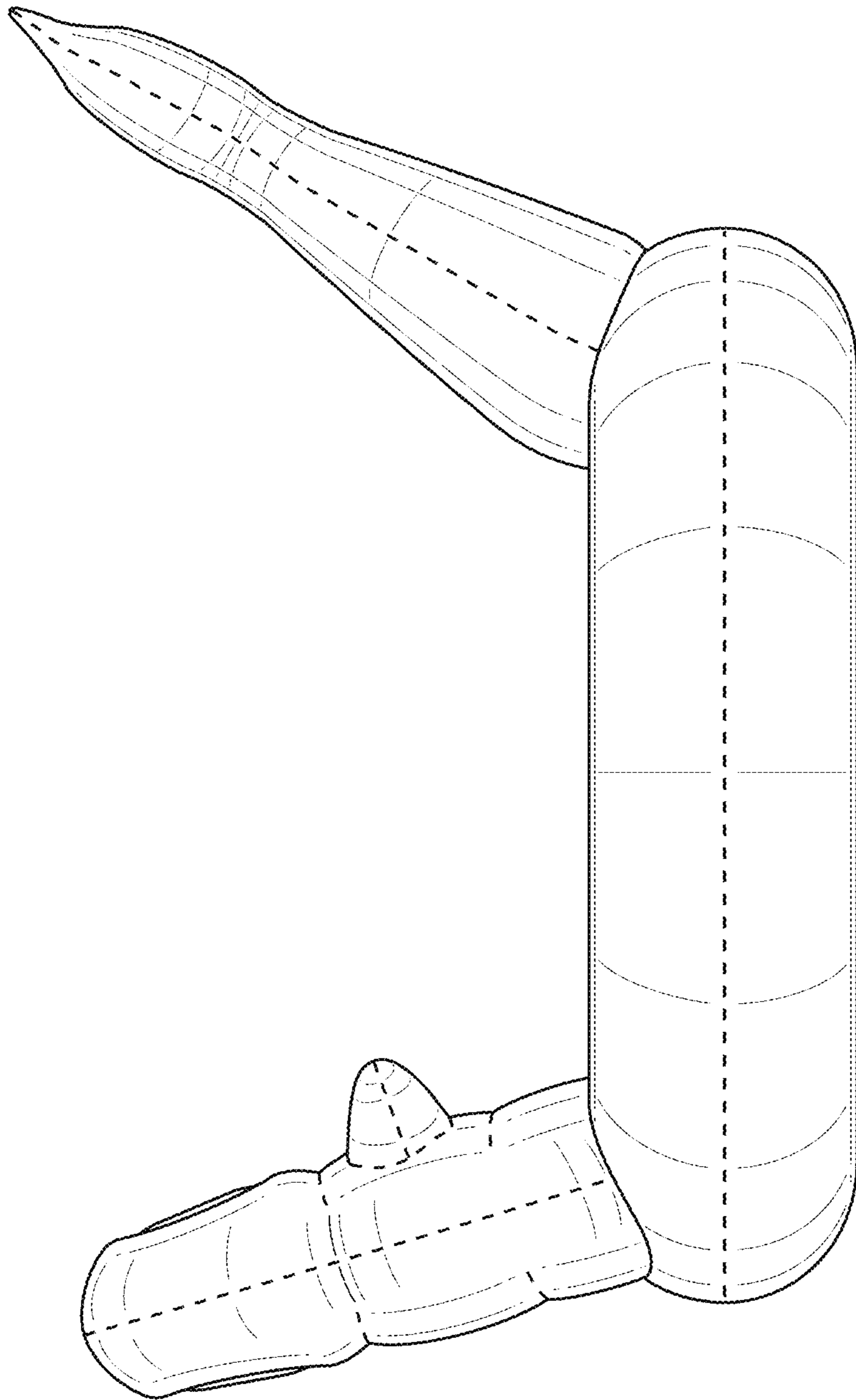
**FIG. 2**



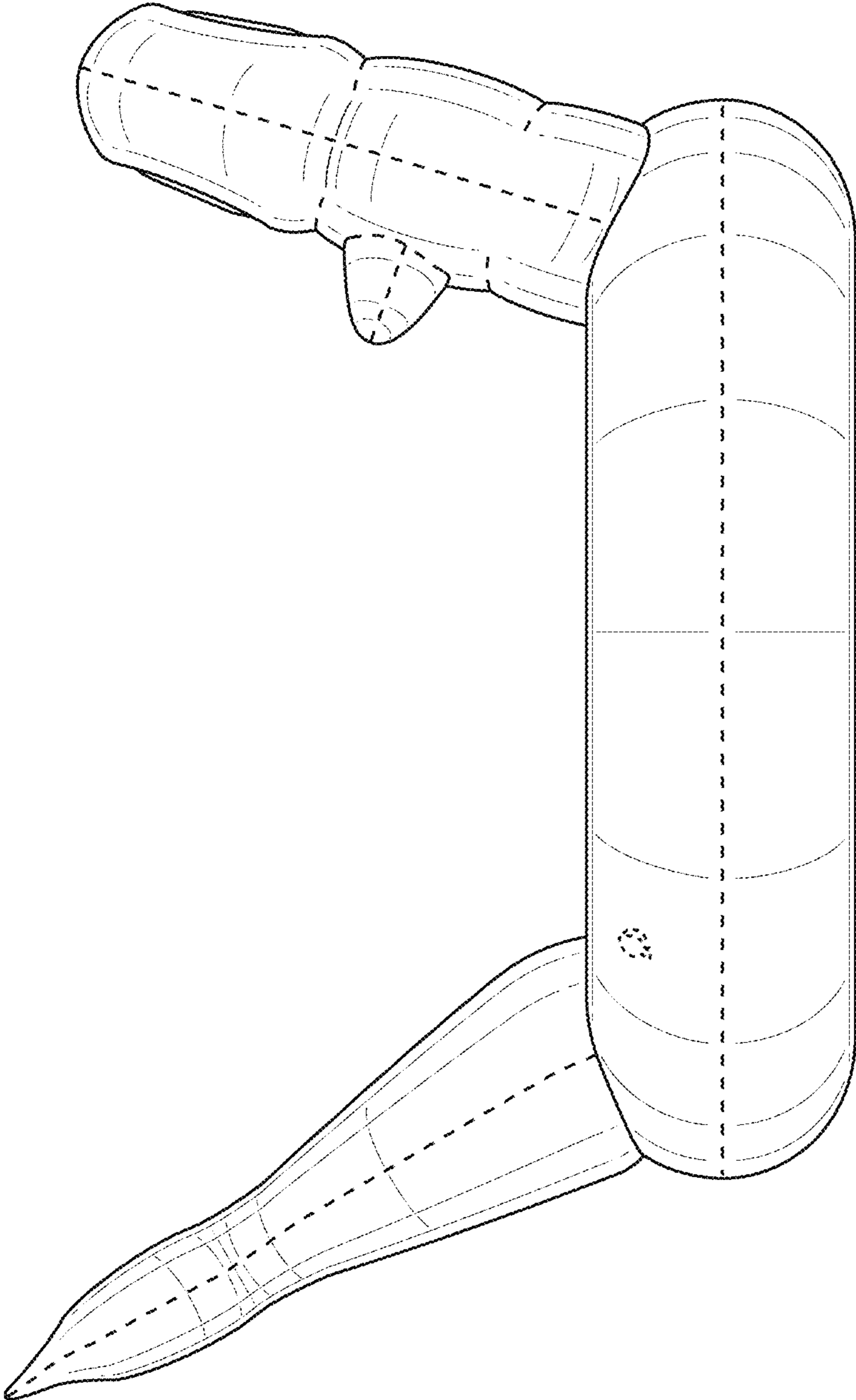
**FIG. 3**



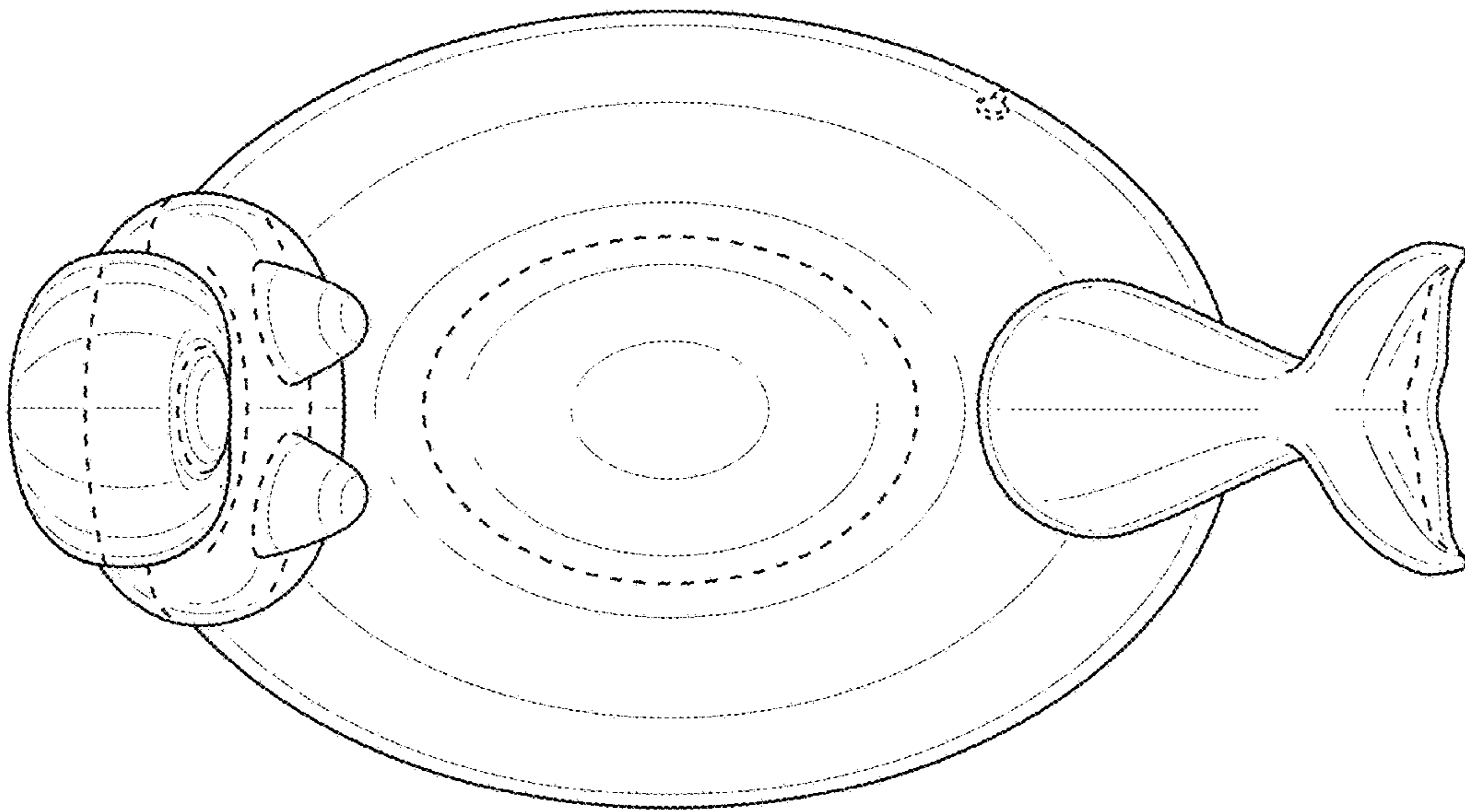
**FIG. 4**



**FIG. 5**

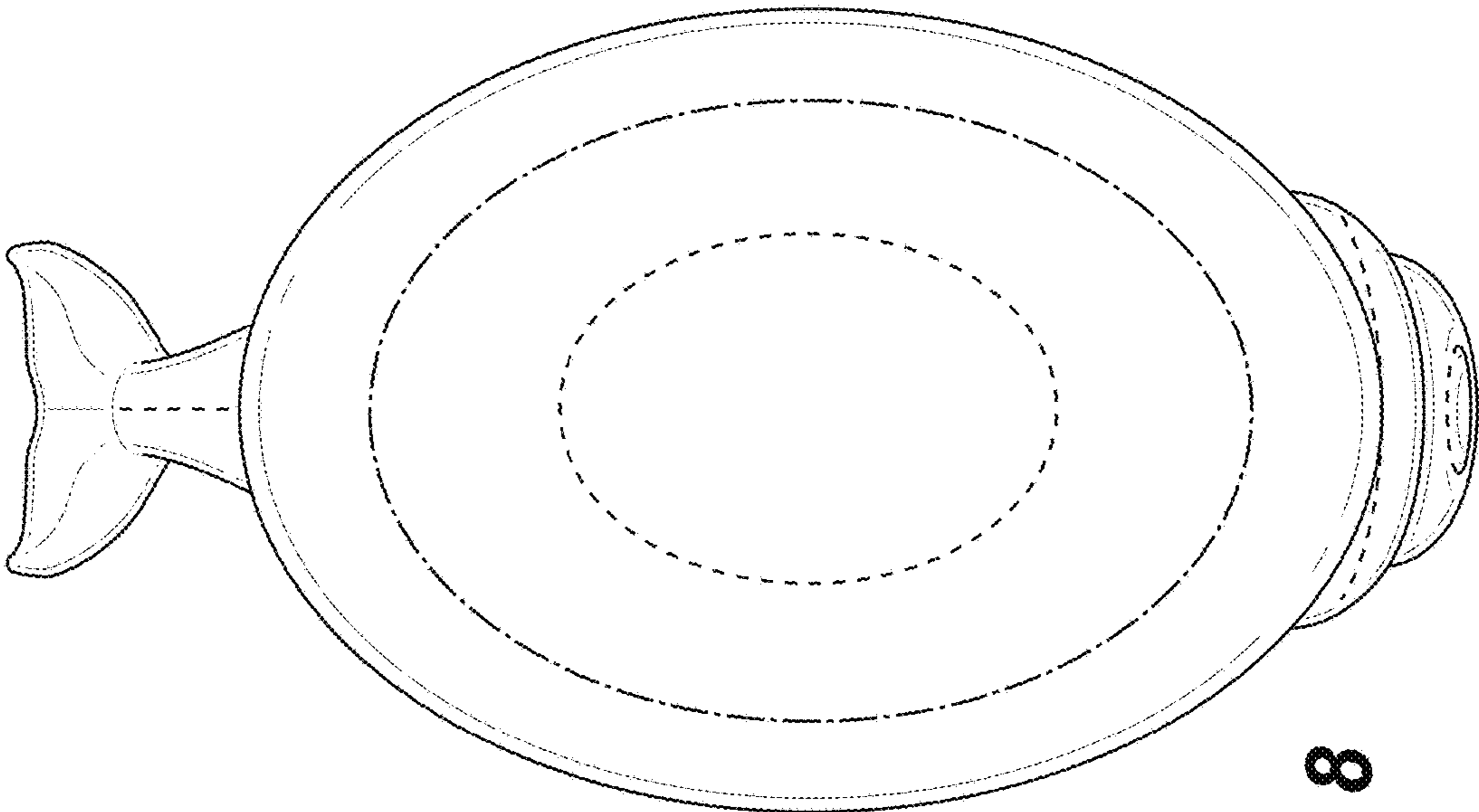


**FIG. 6**



**FIG. 7**





**FIG. 8**