



US00D849864S

(12) **United States Design Patent**
Hsiang

(10) **Patent No.:** **US D849,864 S**

(45) **Date of Patent:** **** May 28, 2019**

- (54) **TRAMPOLINE SUPPORT PIPE**
- (71) Applicant: **Crowntec (Jiang Xi) Sports Technology Co. Ltd.**, Jiujiang, Jiangxi Province (CN)
- (72) Inventor: **Hua-Lu Hsiang**, Taoyuan (TW)
- (73) Assignee: **CROWNTEC (JIANG XI) SPORTS TECHNOLOGY CO., LTD.**, Jiujiang, Jiangxi Province (CN)
- (**) Term: **15 Years**

- 3,677,368 A * 7/1972 Green A63B 5/11
482/27
- 3,948,515 A * 4/1976 McNeil A63B 5/11
482/27
- 4,119,311 A * 10/1978 Jenkins A63B 5/11
482/27
- RE30,344 E * 7/1980 McNeil A63B 5/11
482/27
- D258,008 S * 1/1981 Ross D25/1
- 5,647,829 A * 7/1997 Rivas A63B 23/0211
482/148
- 5,711,743 A * 1/1998 Nichols, Jr. A63B 5/11
482/27
- 6,053,845 A * 4/2000 Publicover A63B 5/11
482/27
- 7,220,218 B1 * 5/2007 Chu A63B 5/11
482/27

(21) Appl. No.: **29/630,065**

(22) Filed: **Dec. 19, 2017**

(51) **LOC (11) Cl.** **21-02**

(52) **U.S. Cl.**
USPC **D21/797**

(58) **Field of Classification Search**
USPC 135/96, 97, 117, 121; 182/139, 224;
446/220; 463/7; 473/469, 482; 482/28,
482/77, 147, 148, 27, 29, 36; D21/668,
D21/669, 797, 826, 834, 836, 839;
D25/1, 22, 61, 66, 68, 43, 38.1;
D30/112, 119; D6/329, 702; 160/135;
D8/14, 74, 303, 308, 309; D23/266
CPC A63B 5/11; A63B 71/023; A63B 21/026;
A63B 9/00; F16B 7/182; F16L 41/021
See application file for complete search history.

(56) **References Cited**

U.S. PATENT DOCUMENTS

- 3,004,623 A * 10/1961 Nissen A63B 5/11
D21/797
- 3,050,746 A * 8/1962 Mikesell A63B 5/11
182/139
- 3,116,809 A * 1/1964 Nissen A63B 5/11
482/28

(Continued)

Primary Examiner — Cynthia Ramirez

Assistant Examiner — Michael A Maharajh

(74) *Attorney, Agent, or Firm* — Muncy, Geissler, Olds & Lowe, P.C.

(57) **CLAIM**

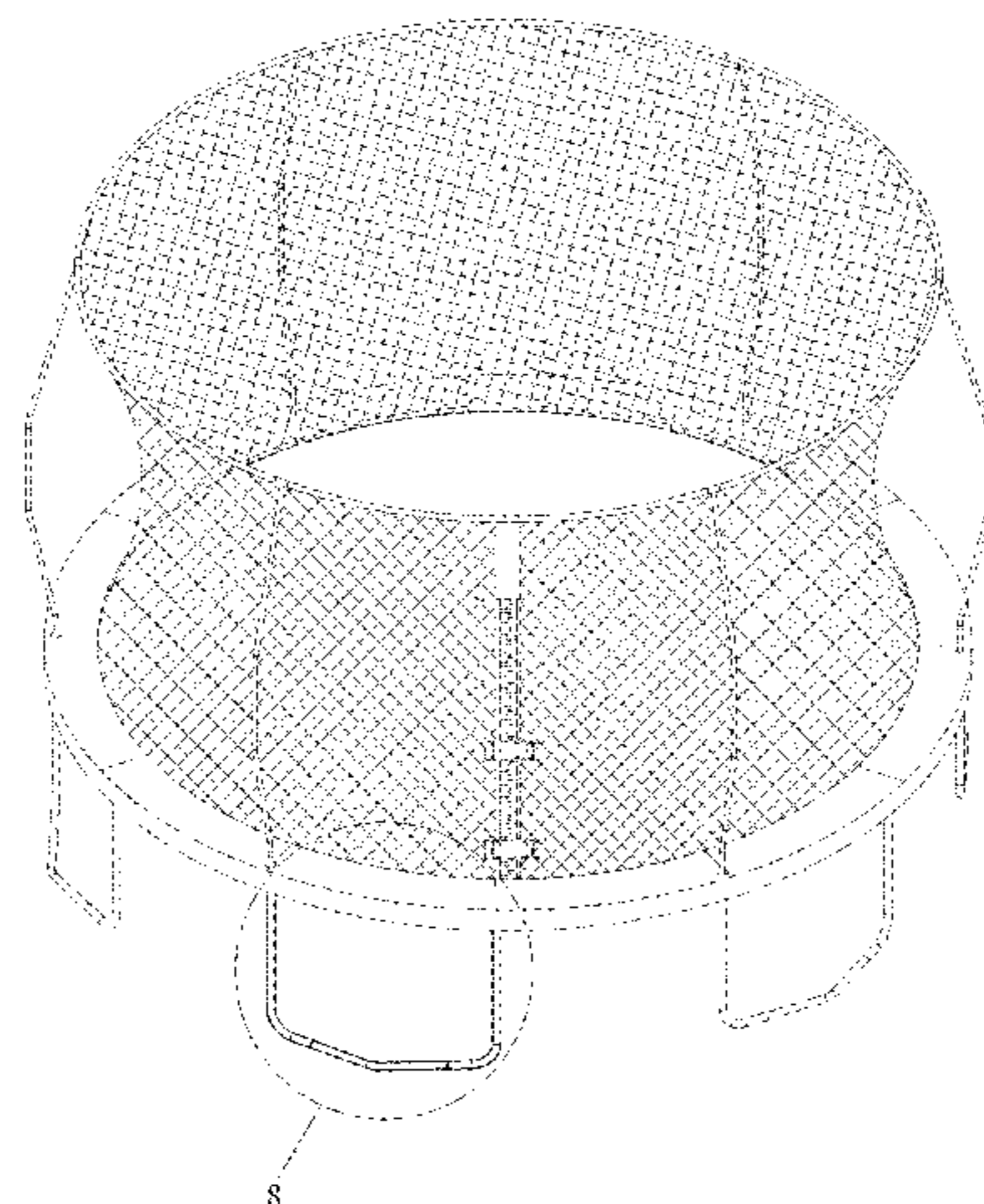
The ornamental design for a trampoline support pipe, as shown and described.

DESCRIPTION

FIG. 1 is a perspective view of a trampoline support pipe showing my new design;
FIG. 2 is a front elevational view thereof;
FIG. 3 is a rear elevational view thereof;
FIG. 4 is a left side elevational view thereof;
FIG. 5 is a right side elevational view thereof;
FIG. 6 is a top plan view thereof;
FIG. 7 is a bottom plan view thereof; and,
FIG. 8 is an enlarged view thereof.

The broken lines shown in the figures are for the purpose of illustrating portions of the trampoline support pipe, which form no part of the claimed design.

1 Claim, 8 Drawing Sheets



(56)

References Cited

U.S. PATENT DOCUMENTS

7,481,740 B2 *	1/2009	Colling	A63B 5/11	9,084,908 B1 *	7/2015	Chen	A63B 5/11
				482/27	9,301,562 B1 *	4/2016	Chen	A41D 19/0027
7,611,443 B2 *	11/2009	Publicover	A63B 5/11	D755,914 S *	5/2016	Andon	D21/797
				482/27	D760,877 S *	7/2016	Drake	D23/266
7,691,032 B2 *	4/2010	Burnham	A63B 5/11	D785,117 S *	4/2017	Chen	D21/797
				482/27	D786,997 S *	5/2017	Gaut	D21/797
7,708,667 B2 *	5/2010	Alexander	A63B 5/11	9,682,264 B1 *	6/2017	Chen	A63B 5/11
				482/27	D792,934 S *	7/2017	Gaut	D21/797
D630,285 S *	1/2011	Hsiang	D21/797	9,707,426 B2 *	7/2017	Tsai	A63B 5/11
7,883,446 B2 *	2/2011	Lovley, II	A63B 5/11	D794,150 S *	8/2017	Ji	D21/797
				482/27	D794,151 S *	8/2017	Ji	D21/797
8,012,066 B1 *	9/2011	Hsiang	A63B 71/022	D799,625 S *	10/2017	Chen	D21/797
D653,299 S *	1/2012	Samuel	D21/797	D799,626 S *	10/2017	Chen	D21/797
D664,228 S *	7/2012	Hsiang	D21/797	D803,338 S *	11/2017	Hsiang	D21/797
8,241,185 B2 *	8/2012	Ikegami	A63B 5/11	D813,968 S *	3/2018	Chen	D21/797
				482/27	D817,432 S *	5/2018	Hsiang	D21/797
8,371,991 B2 *	2/2013	Chen	A63B 5/11	D817,433 S *	5/2018	Hsiang	D21/797
				482/27	D817,434 S *	5/2018	Hsiang	D21/797
8,430,795 B2 *	4/2013	Publicover	A63B 5/11	D818,071 S *	5/2018	Chen	D21/797
				482/27	D822,781 S *	7/2018	Chen	D21/797
8,585,557 B2 *	11/2013	Ikegami	A63B 71/022	2013/0005537 A1 *	1/2013	Chen	A63B 5/11
				482/27					482/27
8,585,558 B2 *	11/2013	Chen	A63B 5/11	2013/0072269 A1 *	3/2013	Chen	A63B 5/11
				482/27					463/7
8,764,611 B2 *	7/2014	Chen	A63B 69/0053	2014/0221162 A1 *	8/2014	Chen	A63B 43/005
				482/27					482/27
8,920,290 B2 *	12/2014	Stokes	A63B 5/11	2015/0080186 A1 *	3/2015	Carlin	A63B 5/11
				482/27					482/27
					2017/0173437 A1 *	6/2017	Chen	A63B 5/11
					2018/0093119 A1 *	4/2018	Hsiang	A63B 5/11
					2018/0147434 A1 *	5/2018	Ji	A63B 71/04

* cited by examiner

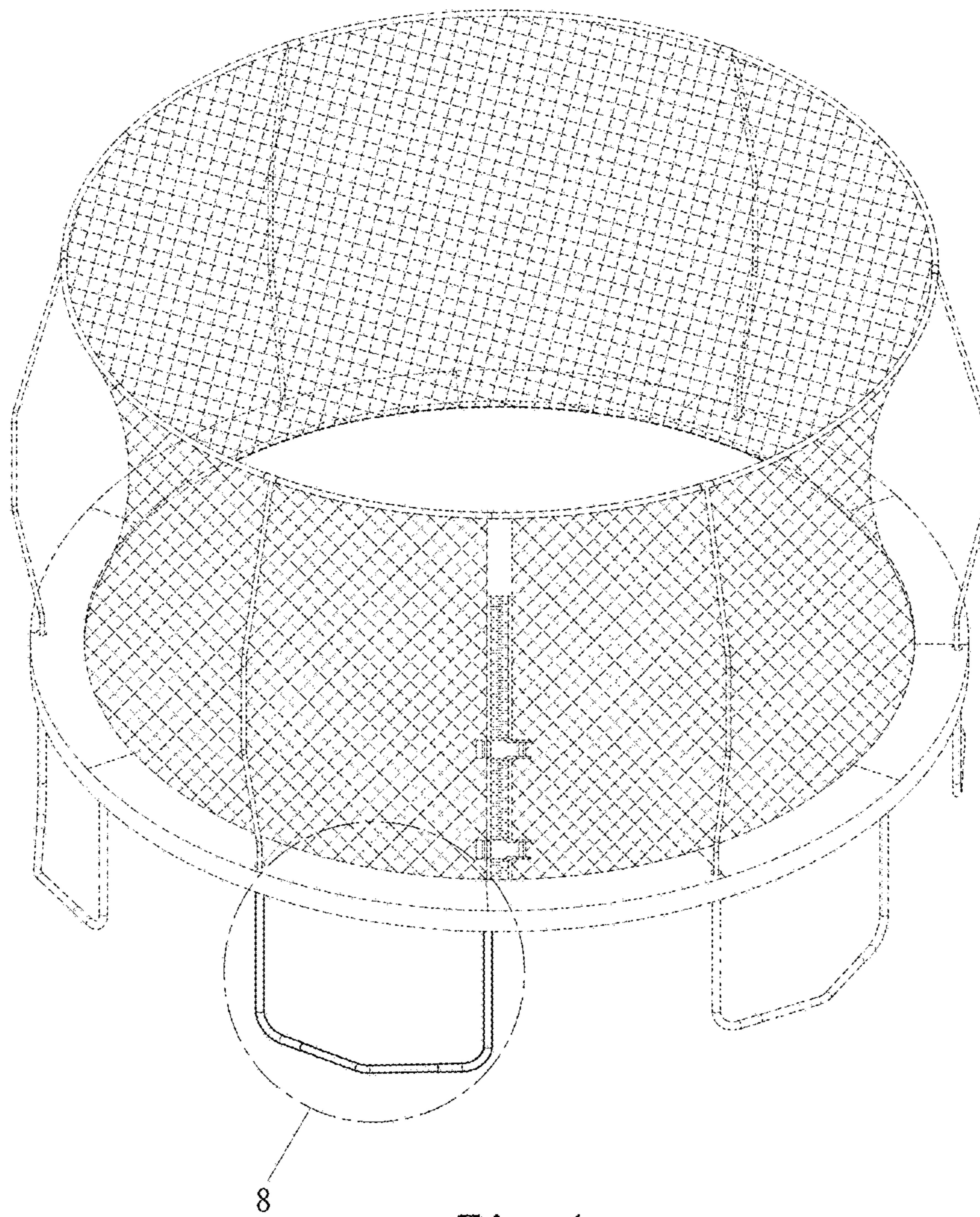


Fig. 1

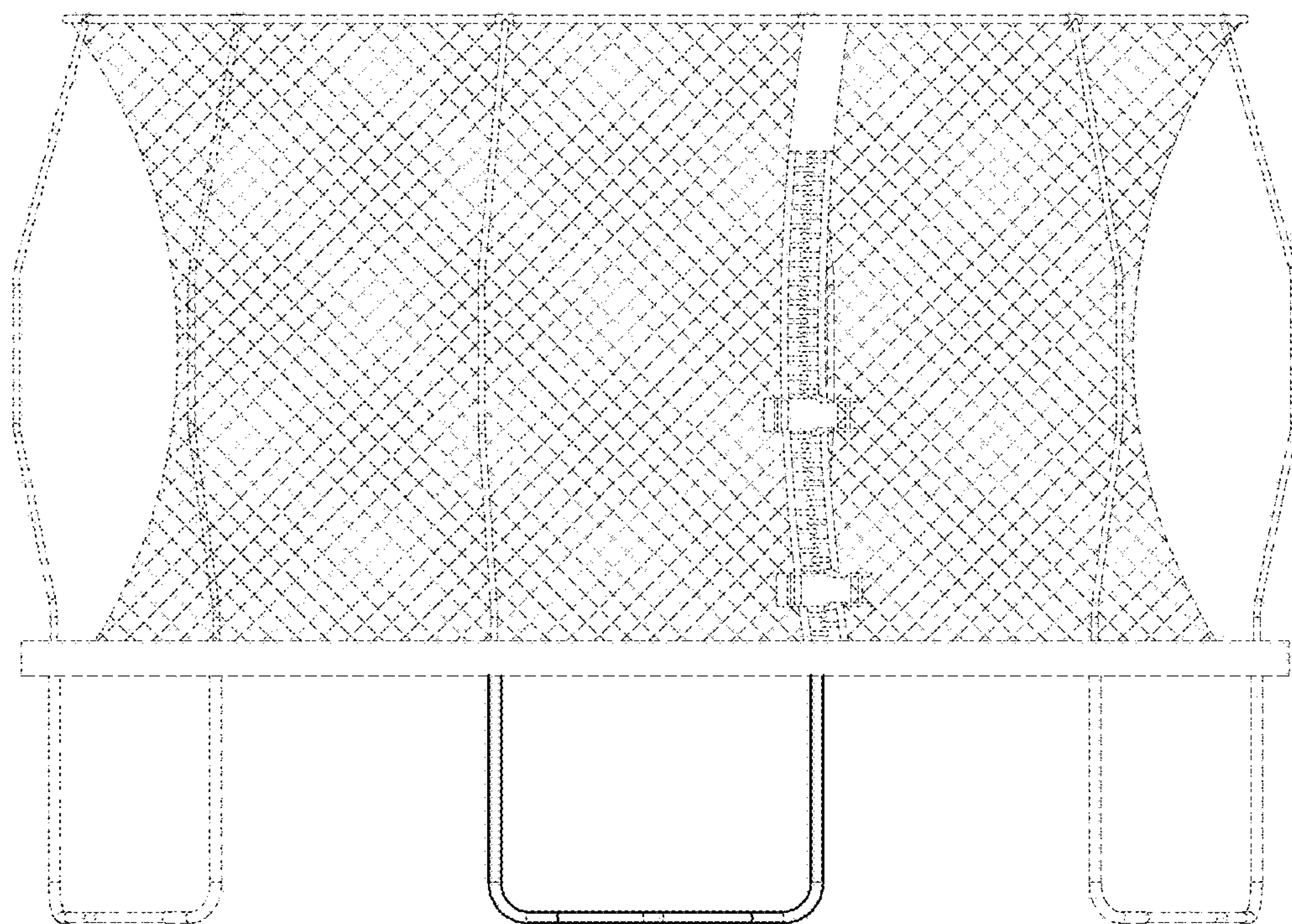


Fig. 2

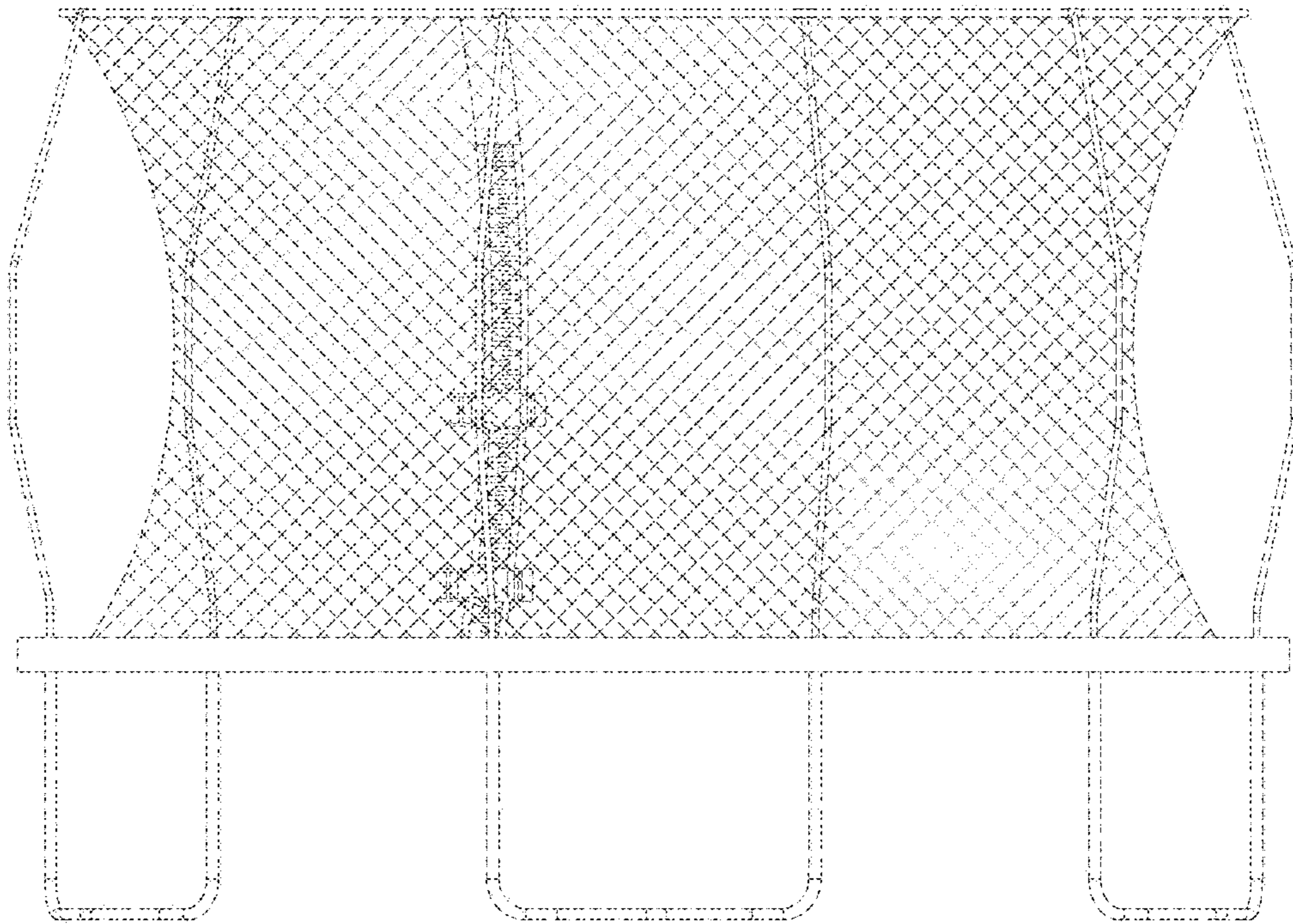


Fig. 3

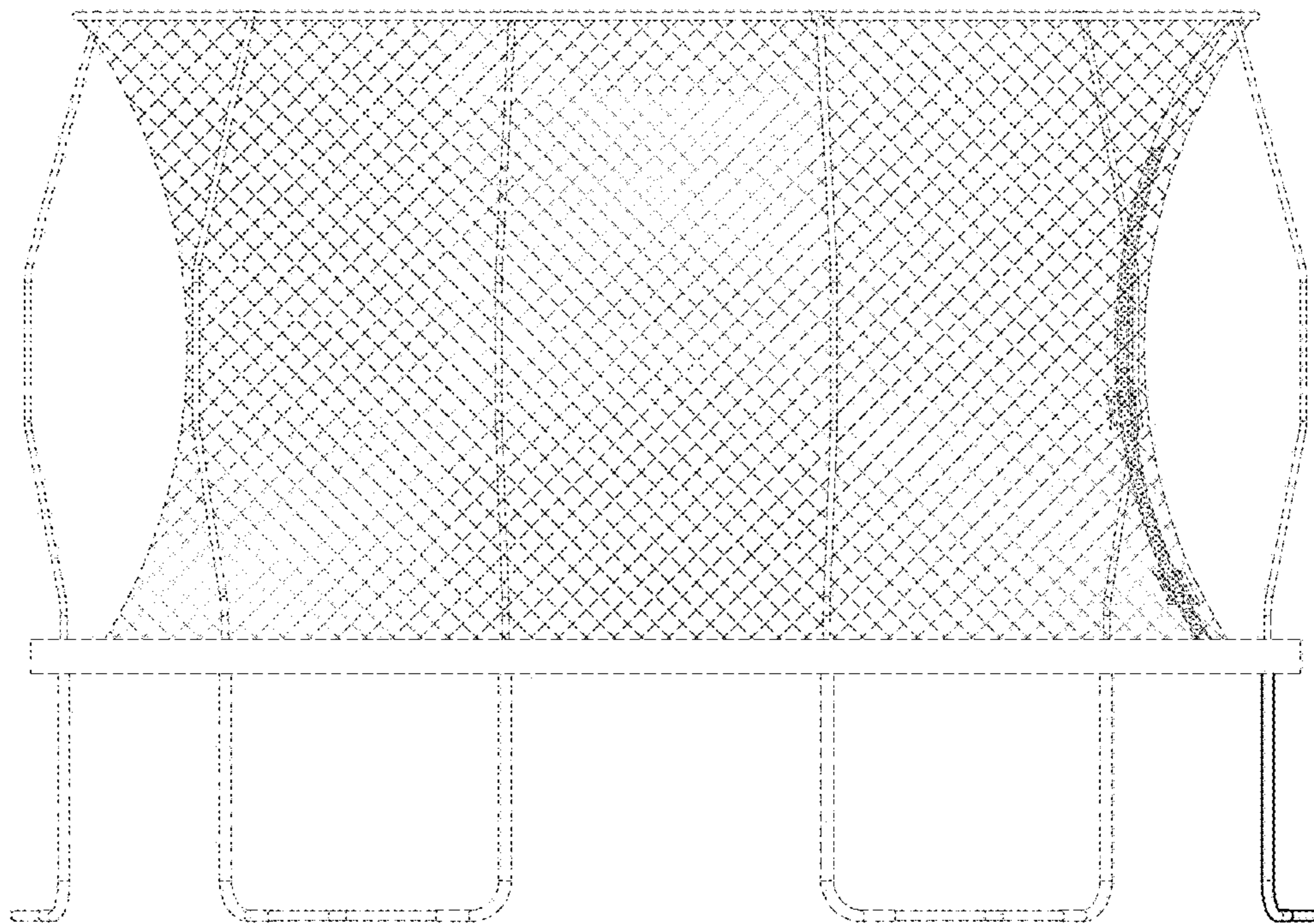


Fig. 4

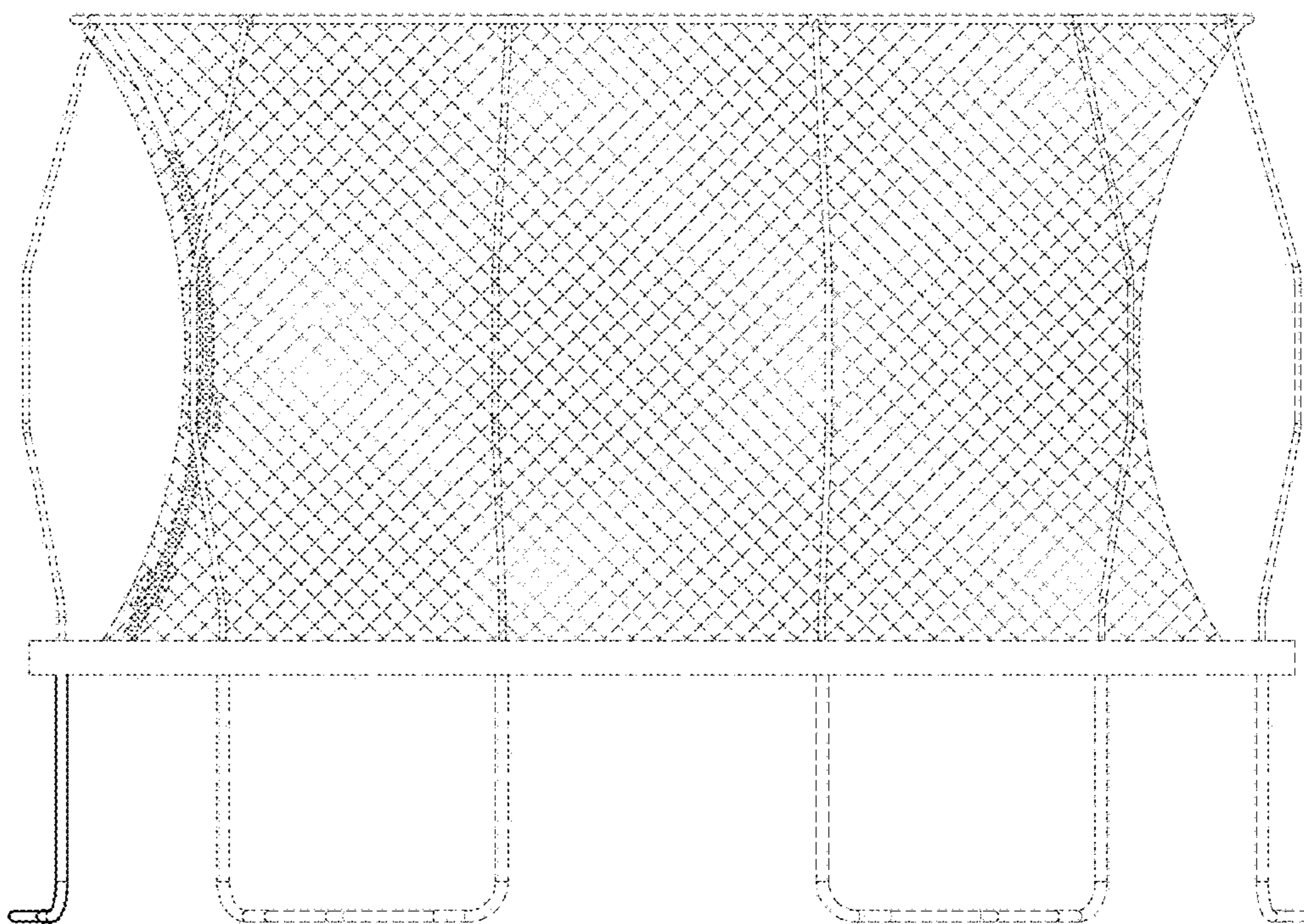


Fig. 5

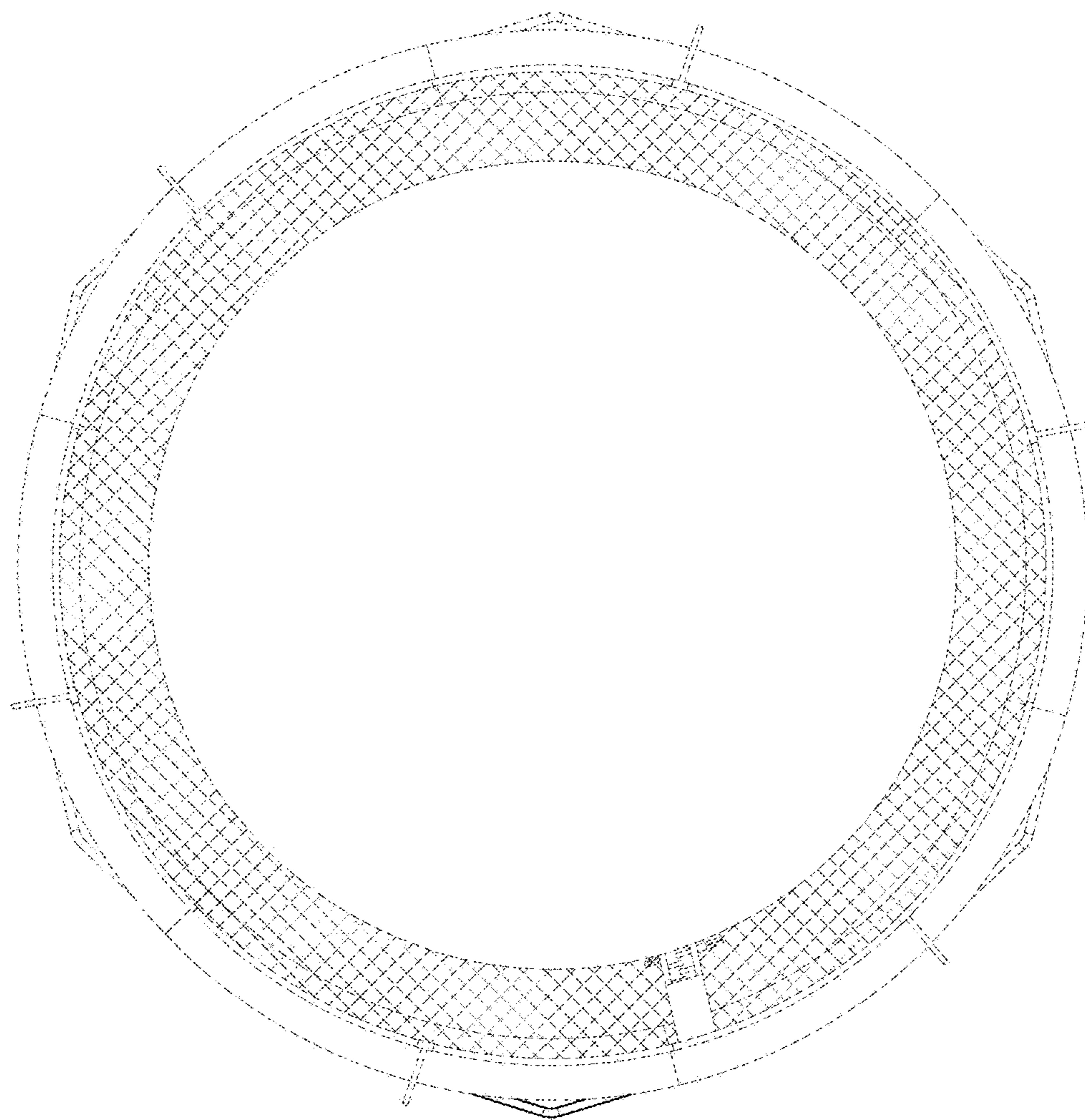


Fig. 6

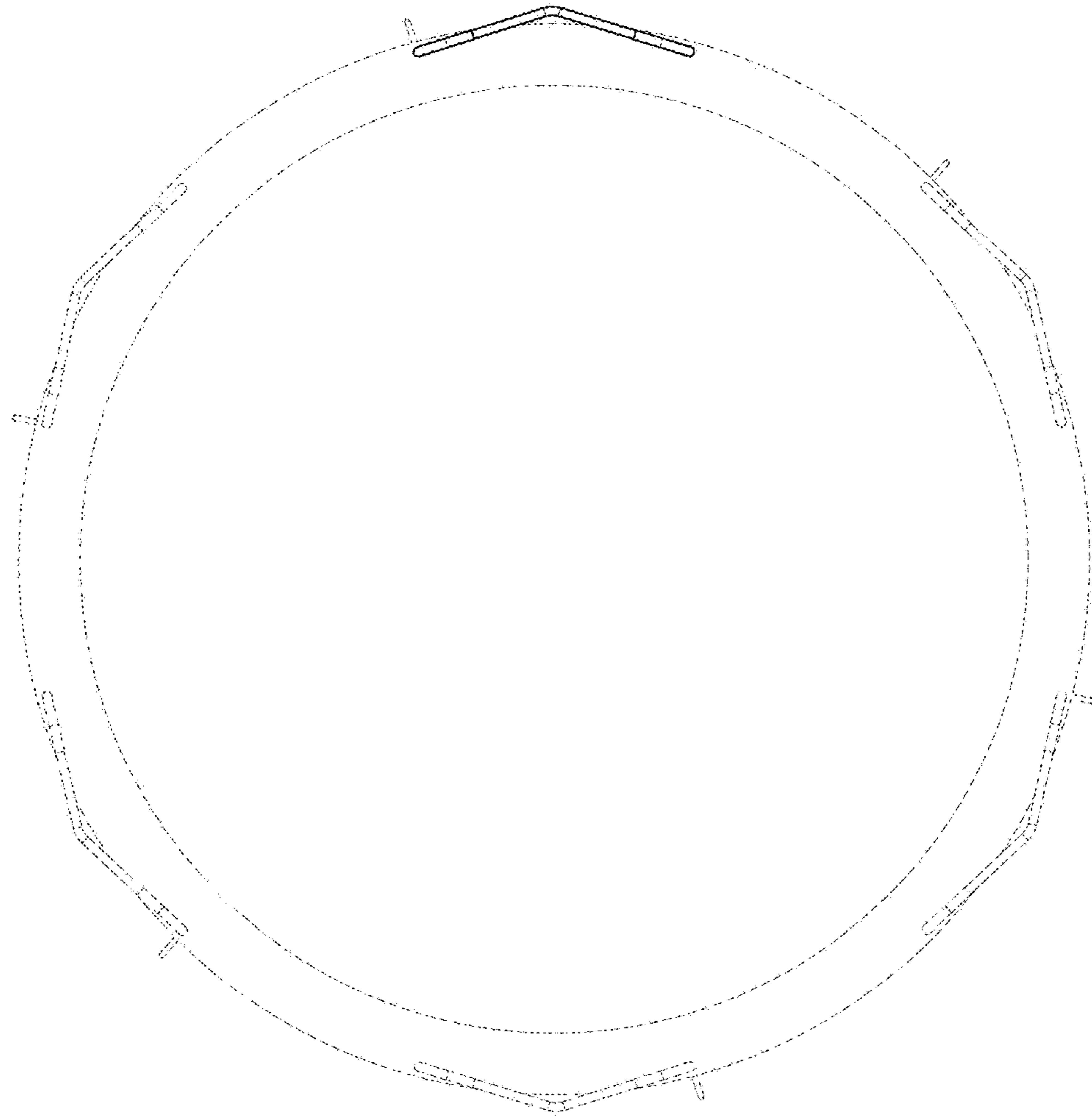


Fig. 7

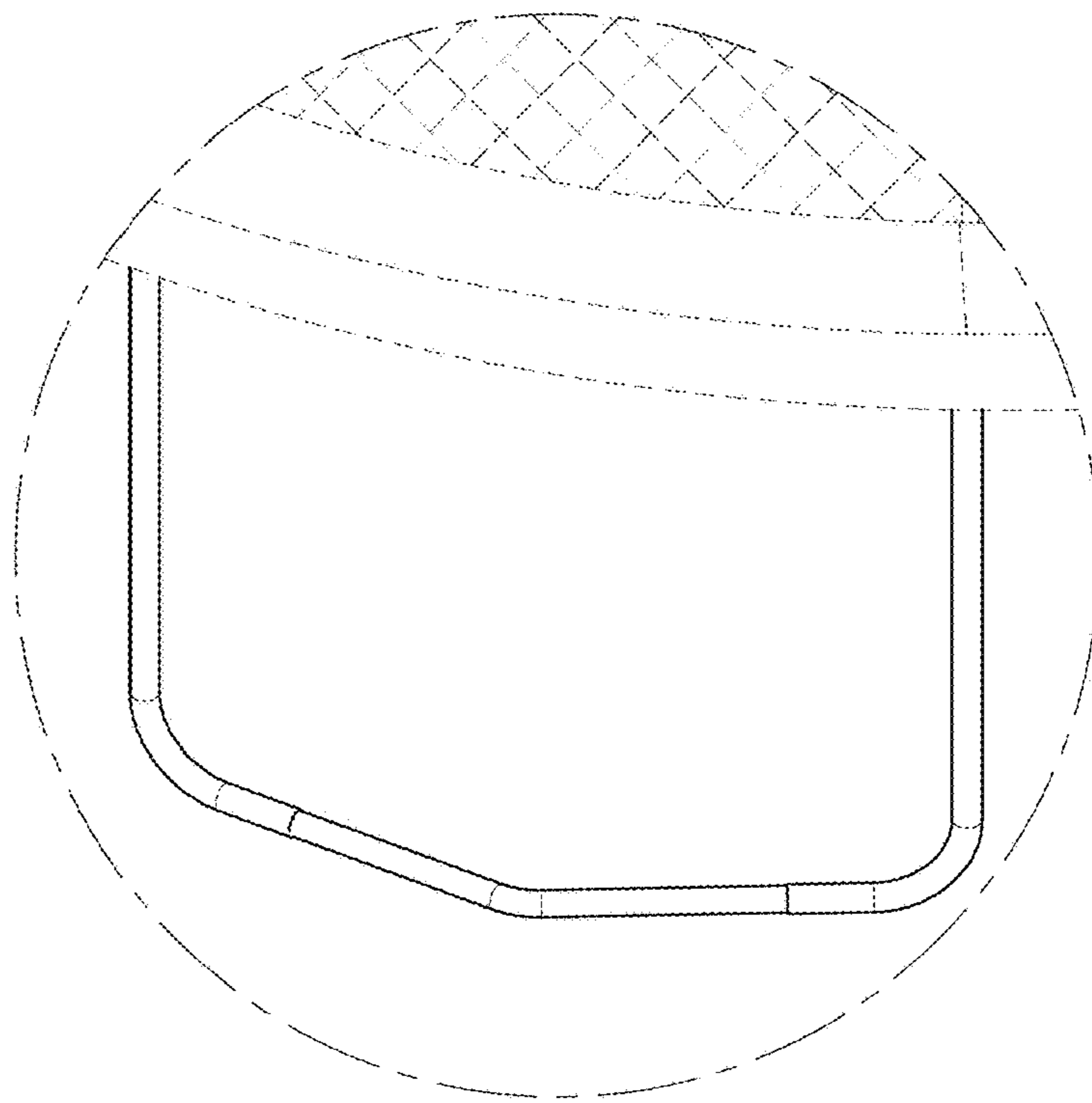


Fig. 8

UNITED STATES PATENT AND TRADEMARK OFFICE
CERTIFICATE OF CORRECTION

PATENT NO. : D849,864 S
APPLICATION NO. : 29/630065
DATED : May 28, 2019
INVENTOR(S) : Hua-Lu Hsiang

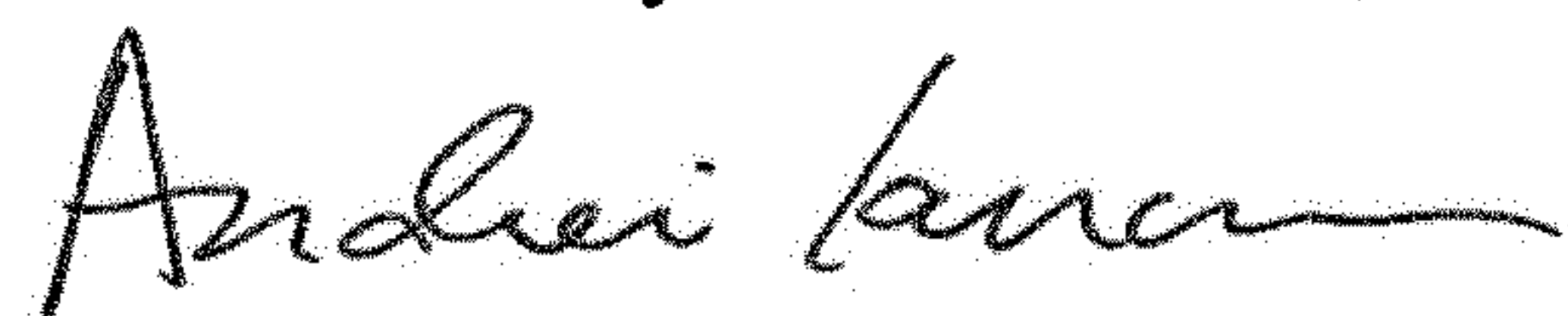
Page 1 of 1

It is certified that error appears in the above-identified patent and that said Letters Patent is hereby corrected as shown below:

On the Title Page

(73) Assignee should be changed from "CROWNTEC (JIANG XI) SPORTS TECHNOLOGY CO., LTD." to --CROWNTEC (JIANG XI) SPORTS TECHNOLOGY CO. LTD.--

Signed and Sealed this
Nineteenth Day of November, 2019



Andrei Iancu
Director of the United States Patent and Trademark Office