



US00D849863S

(12) **United States Design Patent**
Kragerud

(10) **Patent No.:** **US D849,863 S**

(45) **Date of Patent:** **** *May 28, 2019**

(54) **GOLF MARKER**

(71) Applicant: **Bret Kragerud**, Kent, WA (US)

(72) Inventor: **Bret Kragerud**, Kent, WA (US)

(*) Notice: This patent is subject to a terminal disclaimer.

(**) Term: **15 Years**

(21) Appl. No.: **29/621,251**

(22) Filed: **Oct. 5, 2017**

Related U.S. Application Data

(63) Continuation-in-part of application No. 29/511,314, filed on Dec. 9, 2014, now Pat. No. Des. 802,694.

(51) **LOC (11) Cl.** **21-02**

(52) **U.S. Cl.**
USPC **D21/794**

(58) **Field of Classification Search**
USPC D21/789, 793, 794, 386, 390
CPC A63B 57/353; A63B 57/207; A63B 57/00;
A63B 57/30; A63B 57/35; A63B 57/50
See application file for complete search history.

(56) **References Cited**

U.S. PATENT DOCUMENTS

- 3,041,071 A * 6/1962 Fialon A63B 57/353
473/406
- 3,347,551 A * 10/1967 Dreyfus A63B 57/19
473/257
- 3,715,781 A * 2/1973 Salvatori A44B 1/28
24/113 MP
- D293,261 S * 12/1987 Sadowski D21/794
- 5,356,133 A * 10/1994 Bellagamba A63B 57/353
473/406
- 5,437,446 A * 8/1995 Youngkin A63B 69/3676
473/409

- D365,133 S * 12/1995 Belmont D21/794
- D411,276 S * 6/1999 Rosenfeld D21/718
- 6,077,174 A * 6/2000 Noritake A63B 57/353
473/406
- D428,954 S * 8/2000 Tate D21/793
- D446,837 S * 8/2001 Tate D21/794
- D462,102 S * 8/2002 Urbik D21/794
- D472,290 S * 3/2003 Kristoffersen D21/794
- D480,444 S * 10/2003 Marchessault D21/794
- D516,657 S * 3/2006 Caramico D21/793
- D520,588 S * 5/2006 Morgan D21/794
- D530,767 S * 10/2006 Davis D21/794
- D540,902 S * 4/2007 Regalado D21/794
- D583,893 S * 12/2008 Ruff D21/794
- D588,226 S * 3/2009 Brown D21/794
- D588,670 S * 3/2009 Walz D21/794
- D606,149 S * 12/2009 Regalado D21/793
- D616,953 S * 6/2010 Shinki D21/794
- D624,142 S * 9/2010 Weber D21/794
- D627,021 S * 11/2010 Savarese D21/753
- D630,284 S * 1/2011 Desrosiers D21/794
- 8,016,698 B2 * 9/2011 Cameron A63B 57/50
473/406
- D662,165 S * 6/2012 Kragerud D21/794
- 8,388,469 B1 * 3/2013 Hawthorn A63B 57/353
473/406

(Continued)

Primary Examiner — Mitchell I. Siegel

(74) *Attorney, Agent, or Firm* — George A. Leone;
Citadel Patent Law

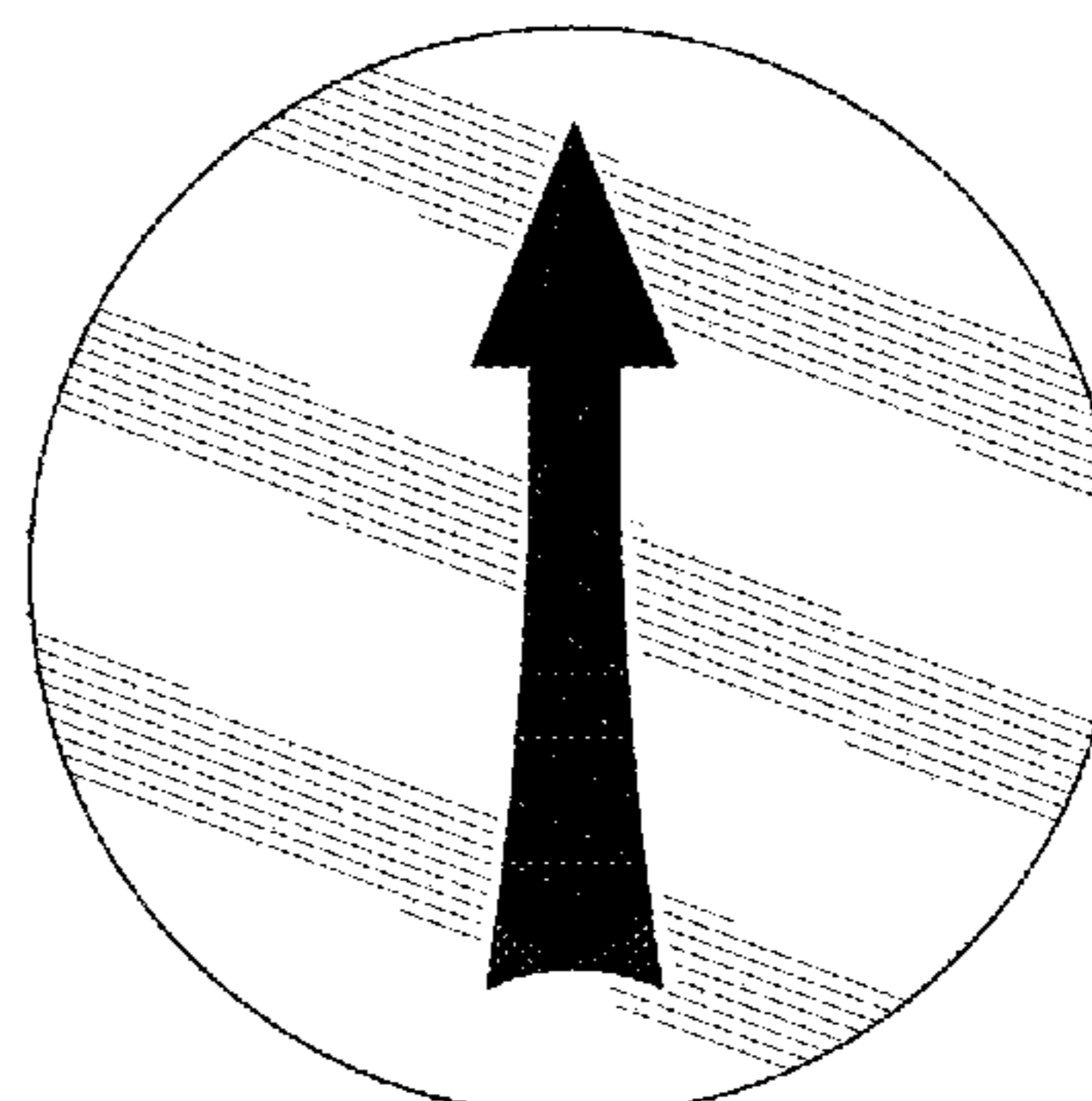
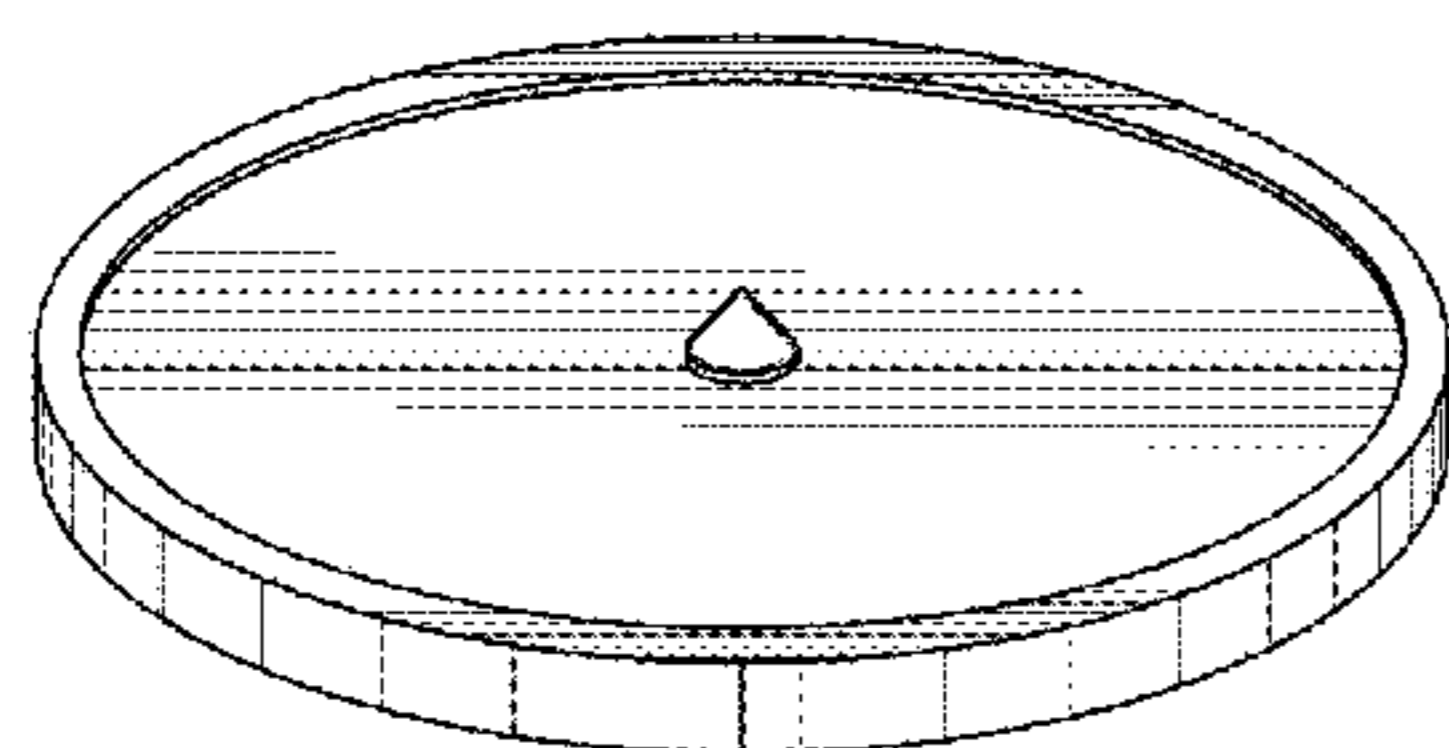
(57) **CLAIM**

The ornamental design for a golf marker, as shown and described.

DESCRIPTION

FIG. 1 is a bottom perspective view of a golf marker showing my new design;
FIG. 2 is a bottom plan view thereof;
FIG. 3 is a side elevational view thereof; and,
FIG. 4 is a top plan view thereof.

1 Claim, 3 Drawing Sheets



(56)

References Cited

U.S. PATENT DOCUMENTS

D689,973 S *	9/2013	Smith	D21/794
D704,291 S *	5/2014	Snyder	D21/794
D710,473 S *	8/2014	Kragerud	D21/794
D721,152 S *	1/2015	Kokoska	D21/794
D762,799 S *	8/2016	Polete	D21/794
D802,694 S *	11/2017	Kragerud	D21/794
D803,337 S *	11/2017	Kragerud	D21/794
2005/0026727 A1 *	2/2005	Barouh	A63B 57/353 473/406
2008/0207356 A1 *	8/2008	Pekrol	A63B 69/3676 473/406
2010/0151972 A1 *	6/2010	Lim	A63B 57/353 473/406

* cited by examiner

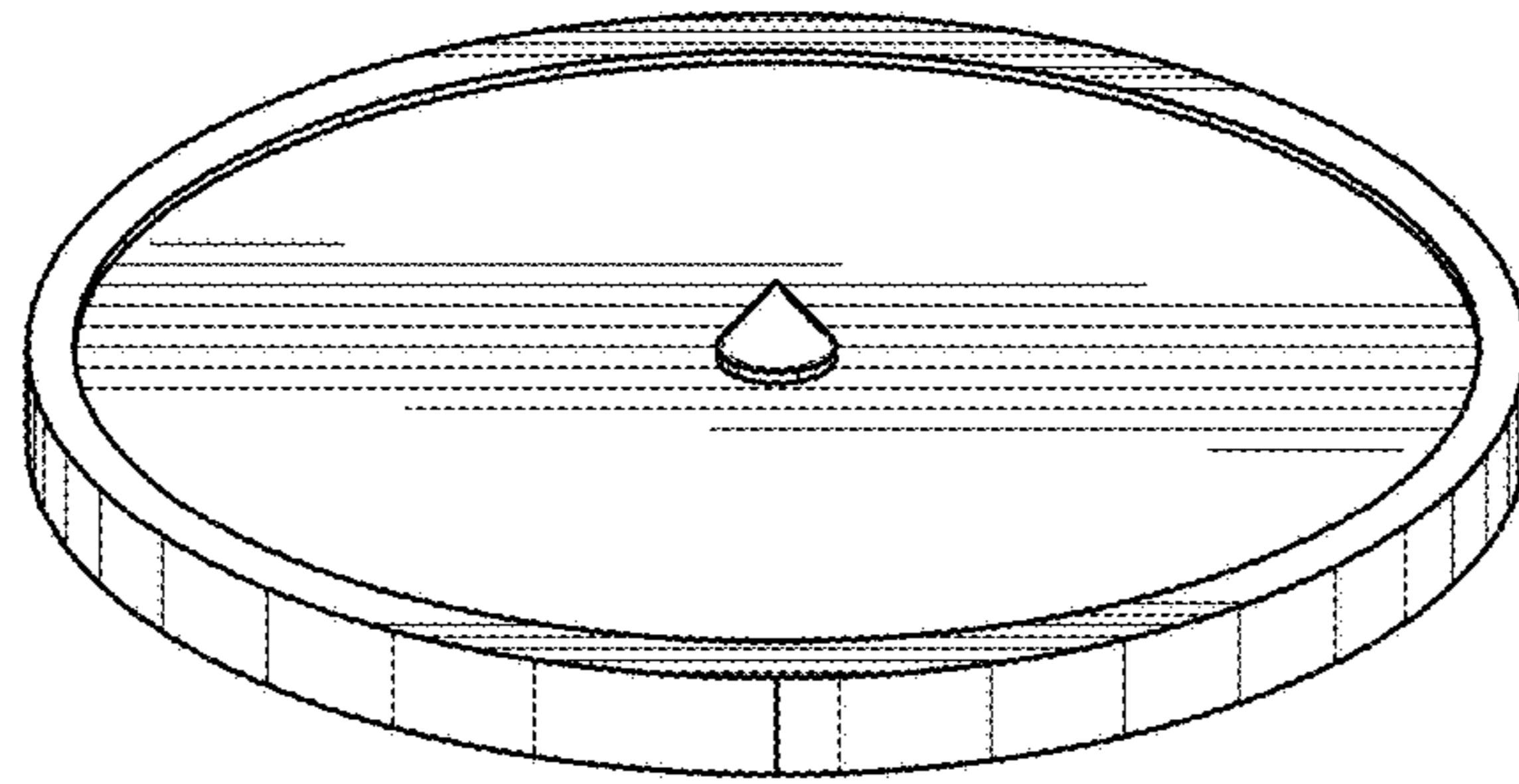


Fig. 1

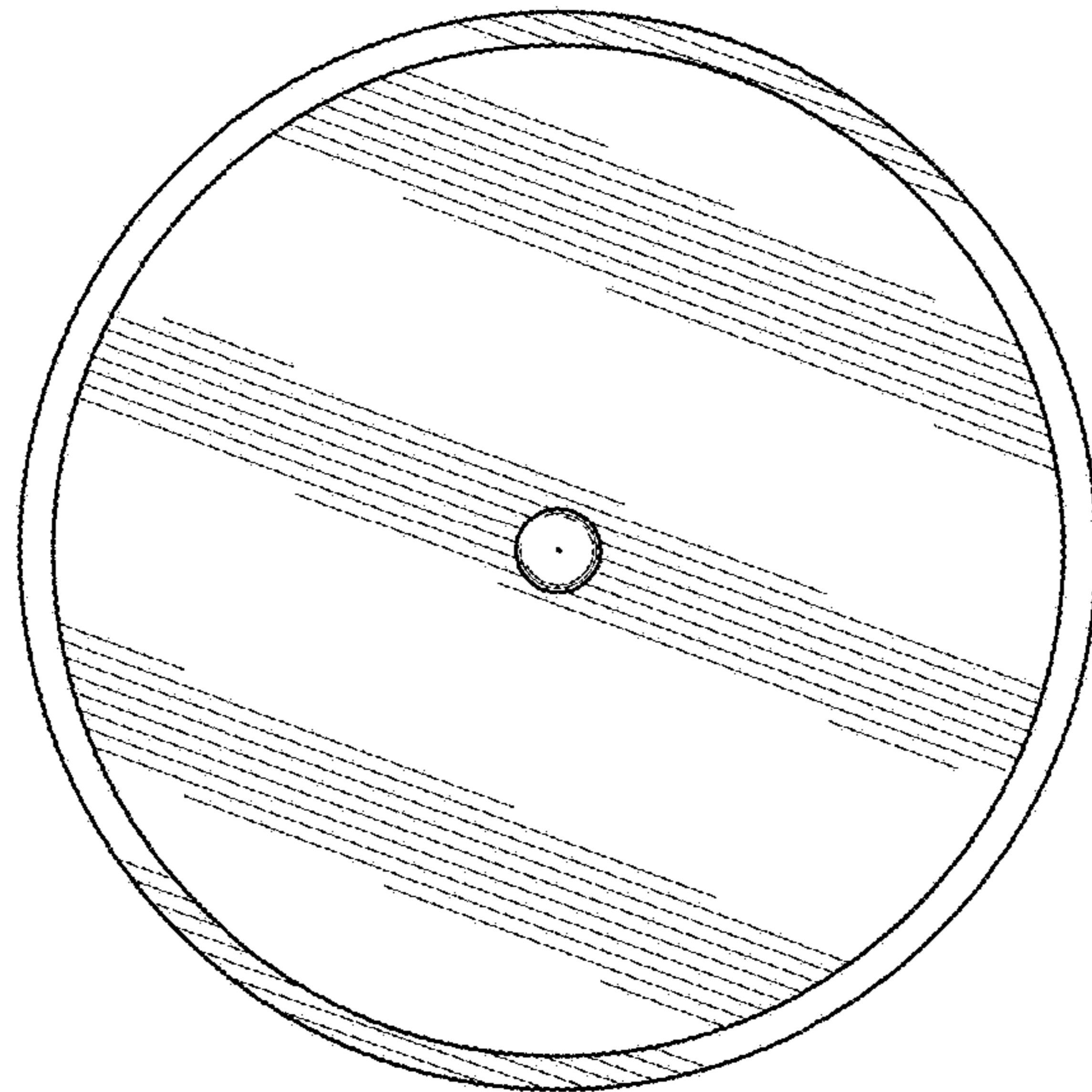


Fig. 2



Fig. 3

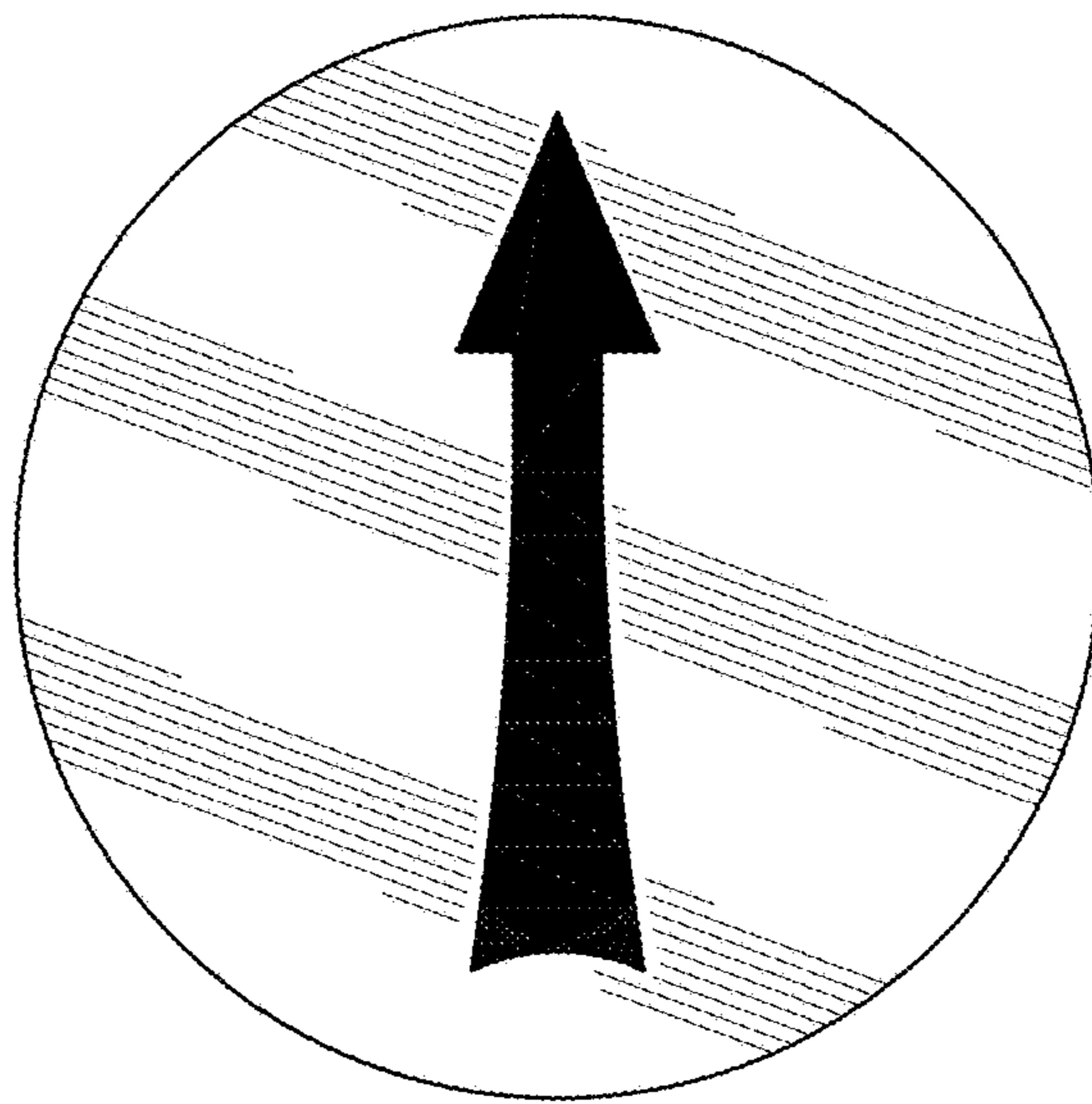


Fig. 4