

US00D849862S

(12) **United States Design Patent**
Qiao

(10) **Patent No.:** **US D849,862 S**

(45) **Date of Patent:** **** May 28, 2019**

(54) **BILLIARD TABLE**

(71) Applicant: **Bing Qiao**, Hangzhou (CN)

(72) Inventor: **Bing Qiao**, Hangzhou (CN)

(**) Term: **15 Years**

(21) Appl. No.: **29/588,826**

(22) Filed: **Dec. 23, 2016**

(51) **LOC (11) Cl.** **21-01**

(52) **U.S. Cl.**
USPC **D21/784**

(58) **Field of Classification Search**
USPC D21/782-784; 273/118 R; 473/1, 2, 6,
473/8, 10, 18, 29, 31, 33; D6/492-597,
D6/685, 688, 688.1, 688.27, 691,
D6/691.3-691.5

CPC A63D 15/00; A63D 15/20; A63D 15/04;
A63D 15/003; A63F 9/24; A63F 1/00;
A63F 7/0628; A47B 3/087; A47B 5/06
See application file for complete search history.

(56) **References Cited**

U.S. PATENT DOCUMENTS

D184,329 S * 2/1959 Anderson et al. D21/784
D192,086 S * 1/1962 Reineman et al. D21/784
4,875,680 A * 10/1989 Gross A63F 7/0628
273/108.21
5,020,799 A * 6/1991 Chang A47B 3/087
108/115

D448,058 S * 9/2001 Baker D21/784
D507,322 S * 7/2005 Hobbs D21/784
7,168,371 B1 * 1/2007 Ruff A47B 5/06
108/20
7,220,185 B2 * 5/2007 Chen A63D 15/04
473/12
7,377,857 B2 * 5/2008 Nottage A63D 15/00
473/29
D599,426 S * 9/2009 Blair D21/784
7,749,090 B2 * 7/2010 Caron A63D 15/003
473/1
8,998,735 B2 * 4/2015 Tsai A63D 15/00
473/31

* cited by examiner

Primary Examiner — Keli L Hill

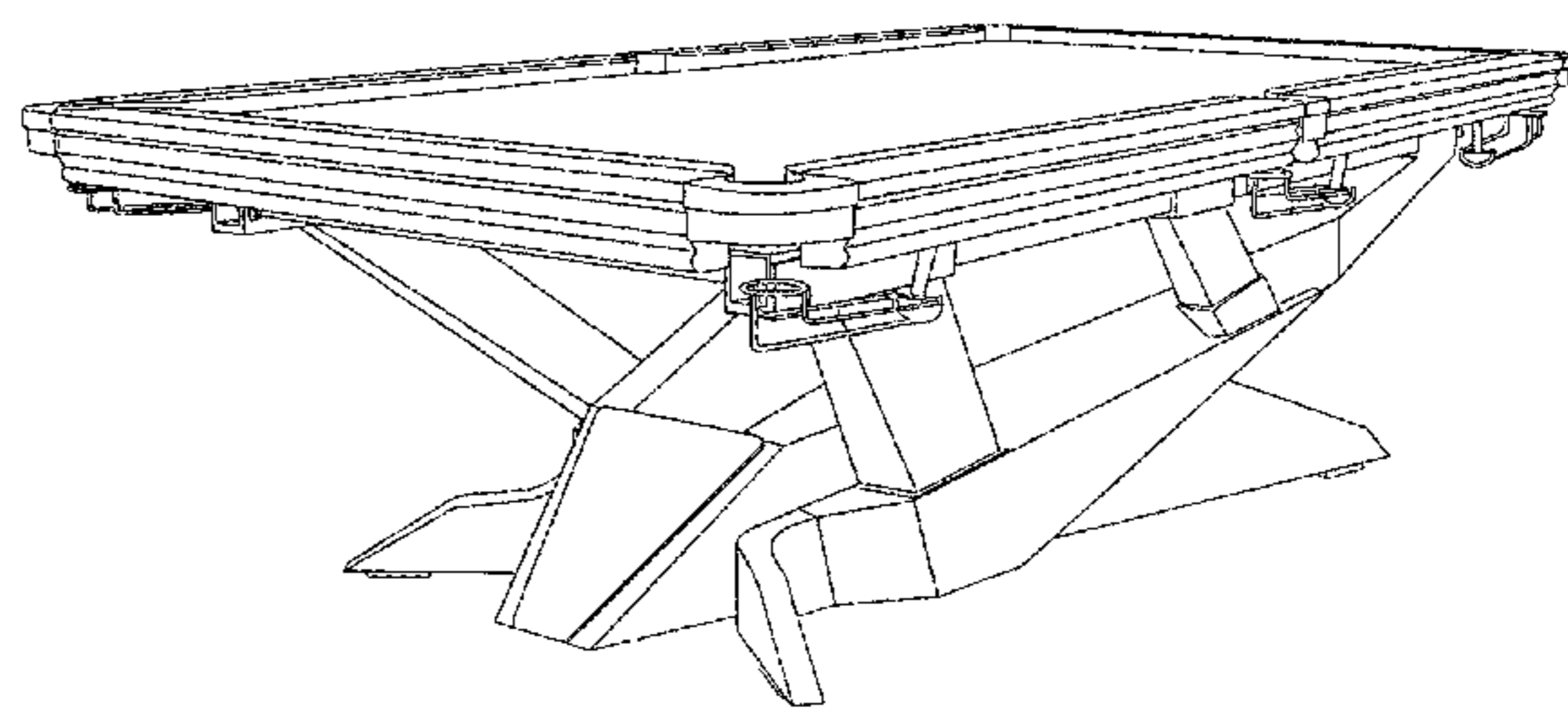
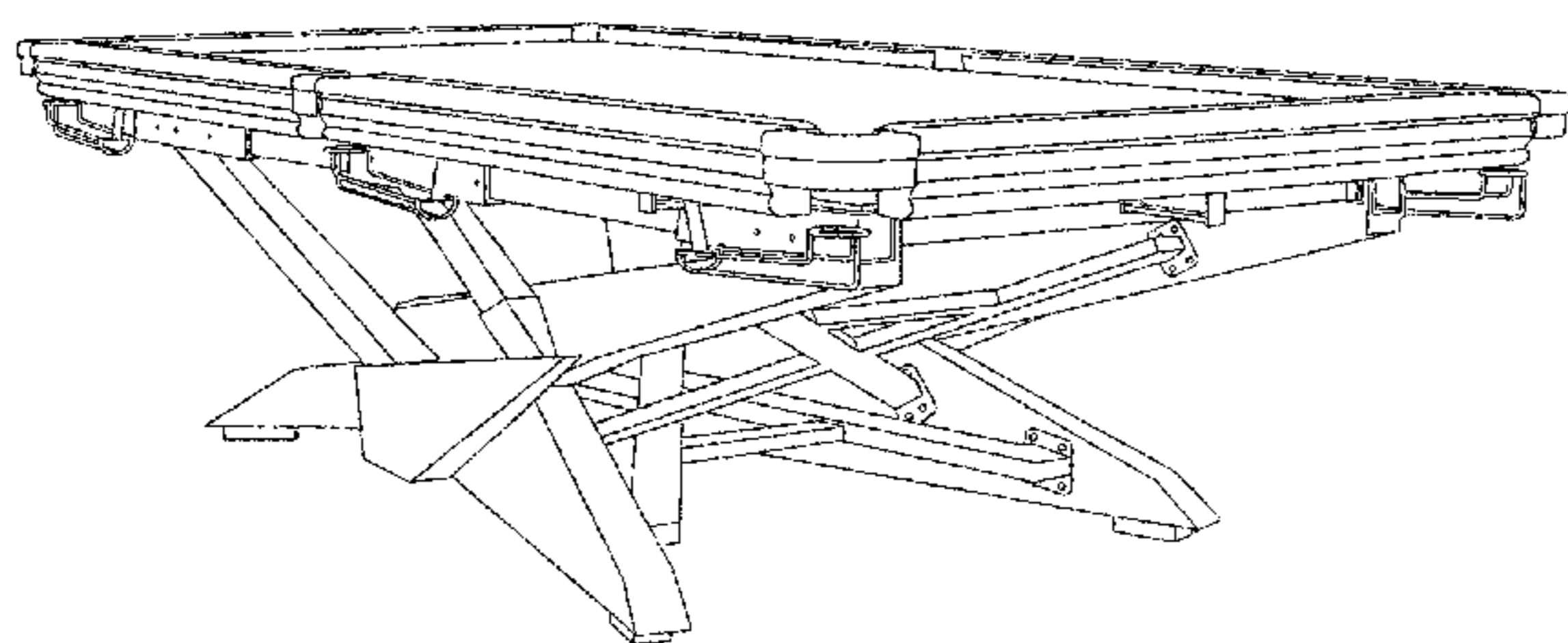
(57) **CLAIM**

The ornamental design for billiard table, as shown and described.

DESCRIPTION

FIG. 1 is a perspective view thereof;
FIG. 2 is another perspective view thereof;
FIG. 3 is a front plan view thereof;
FIG. 4 is a back plan view thereof;
FIG. 5 is a left plan view thereof;
FIG. 6 is a right plan view thereof;
FIG. 7 is a top plan view thereof; and,
FIG. 8 is a bottom plan view thereof.
The broken lines depict environment that forms no part of the claimed design.

1 Claim, 8 Drawing Sheets



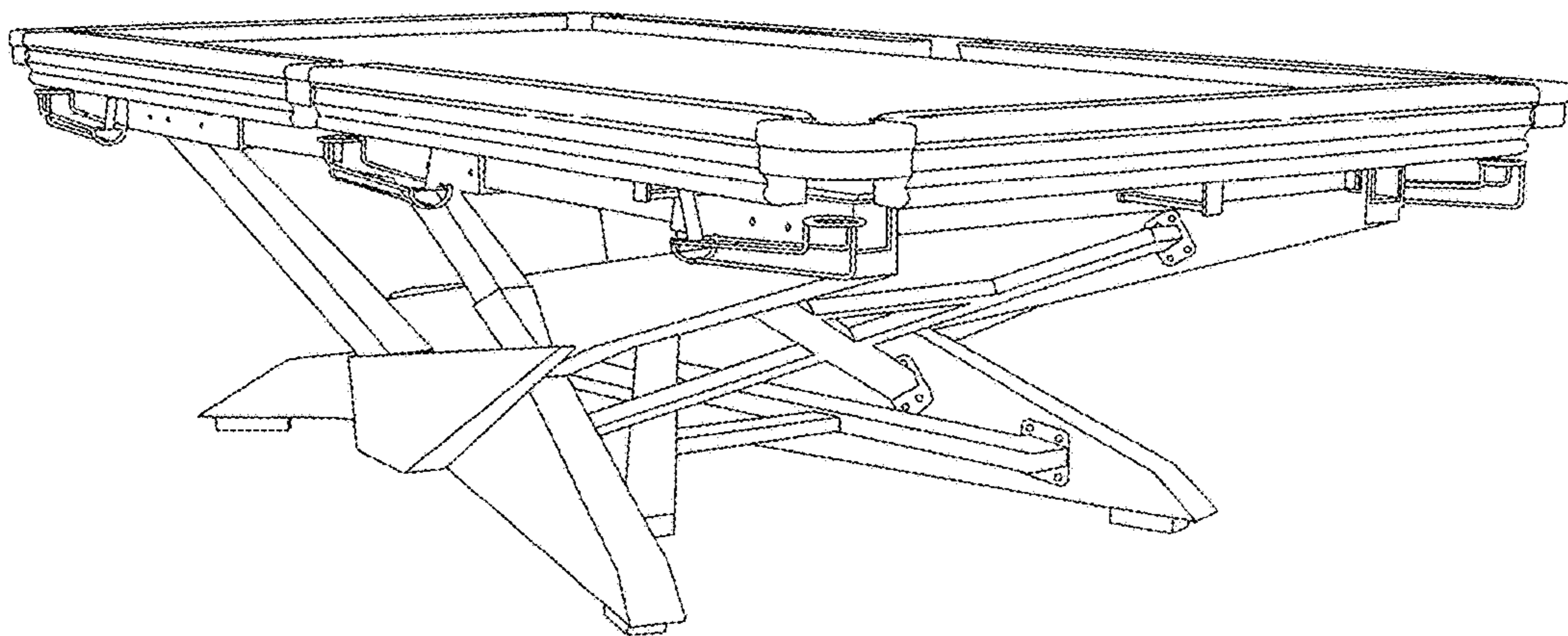


FIG. 1

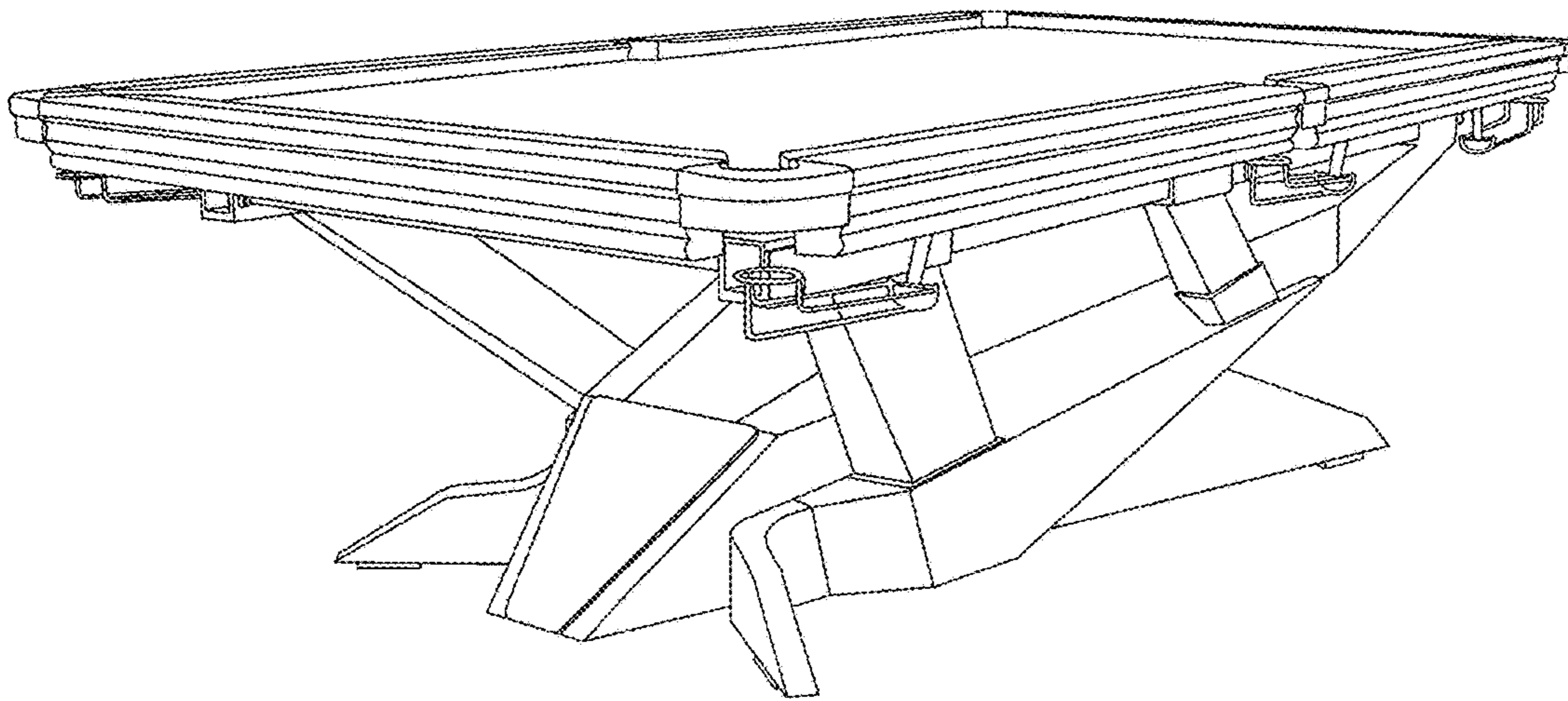


FIG.2

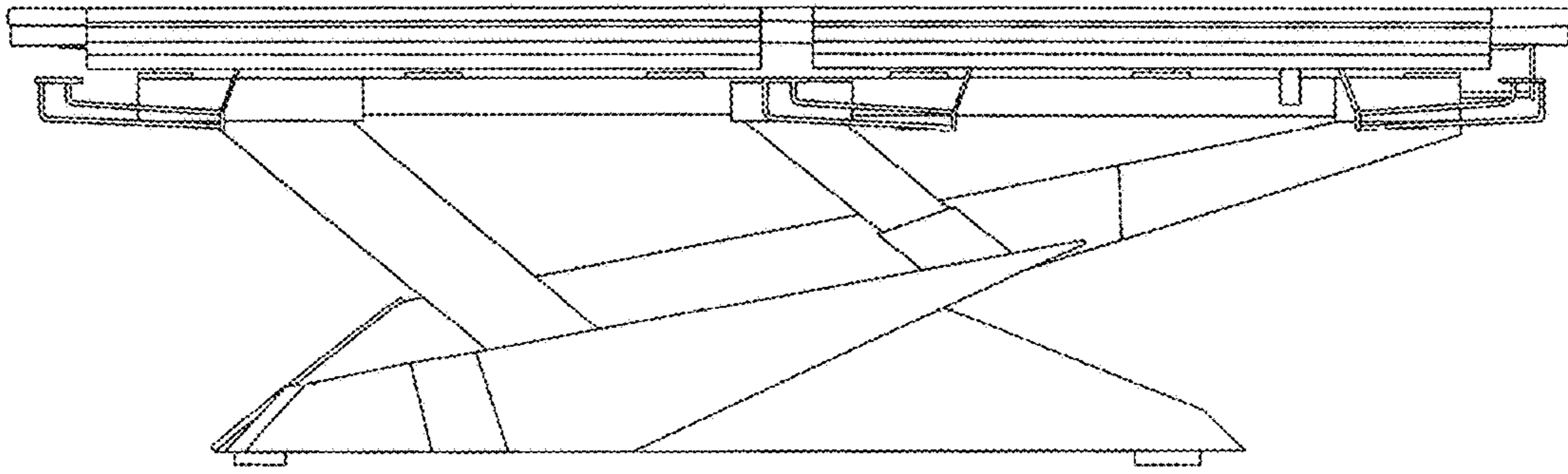


FIG.3

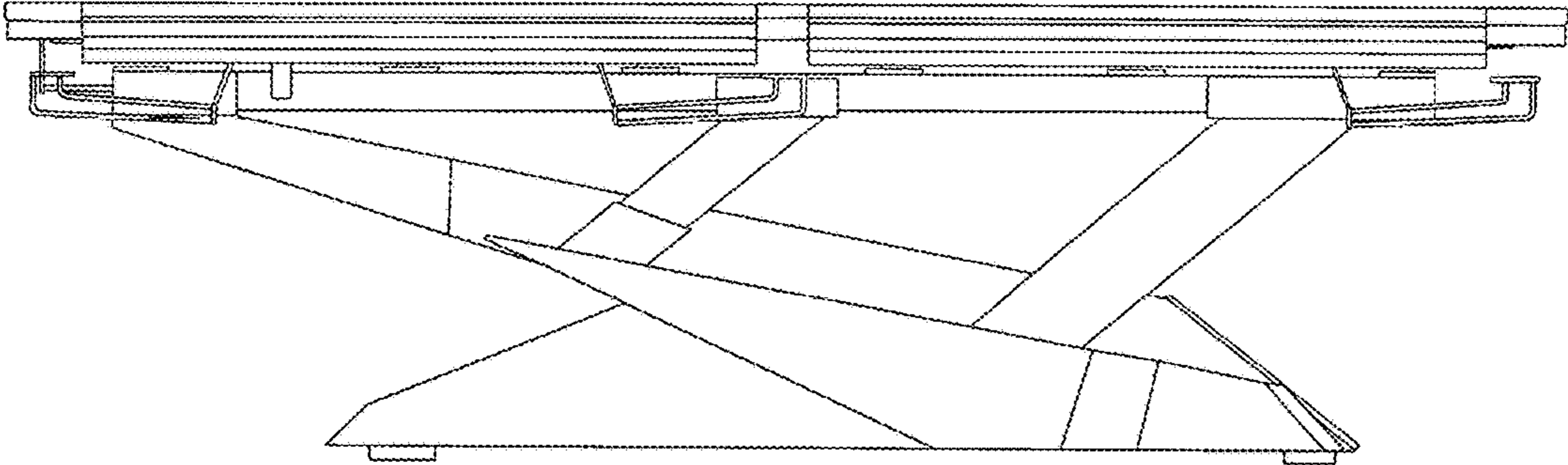


FIG.4

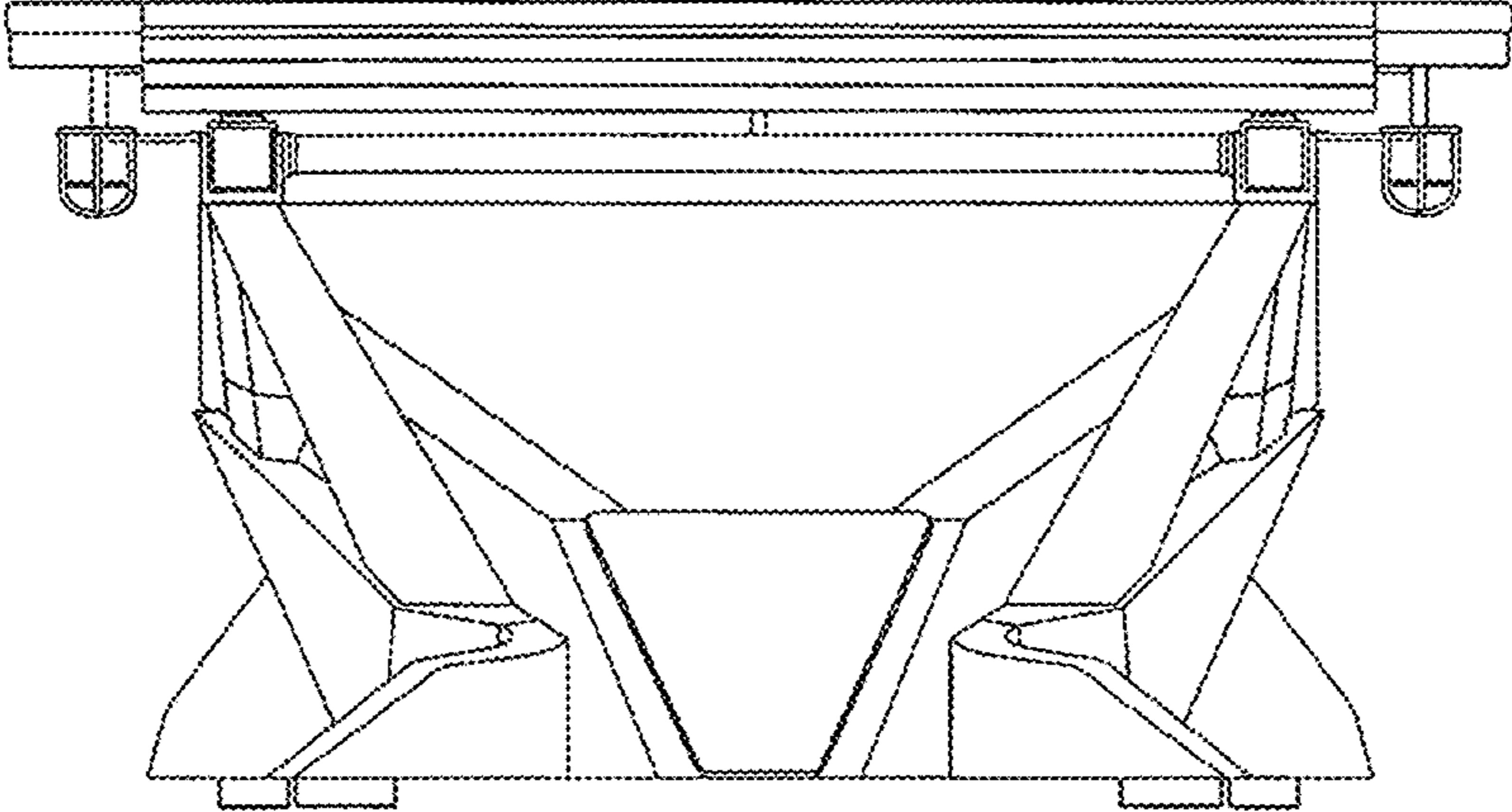


FIG.5

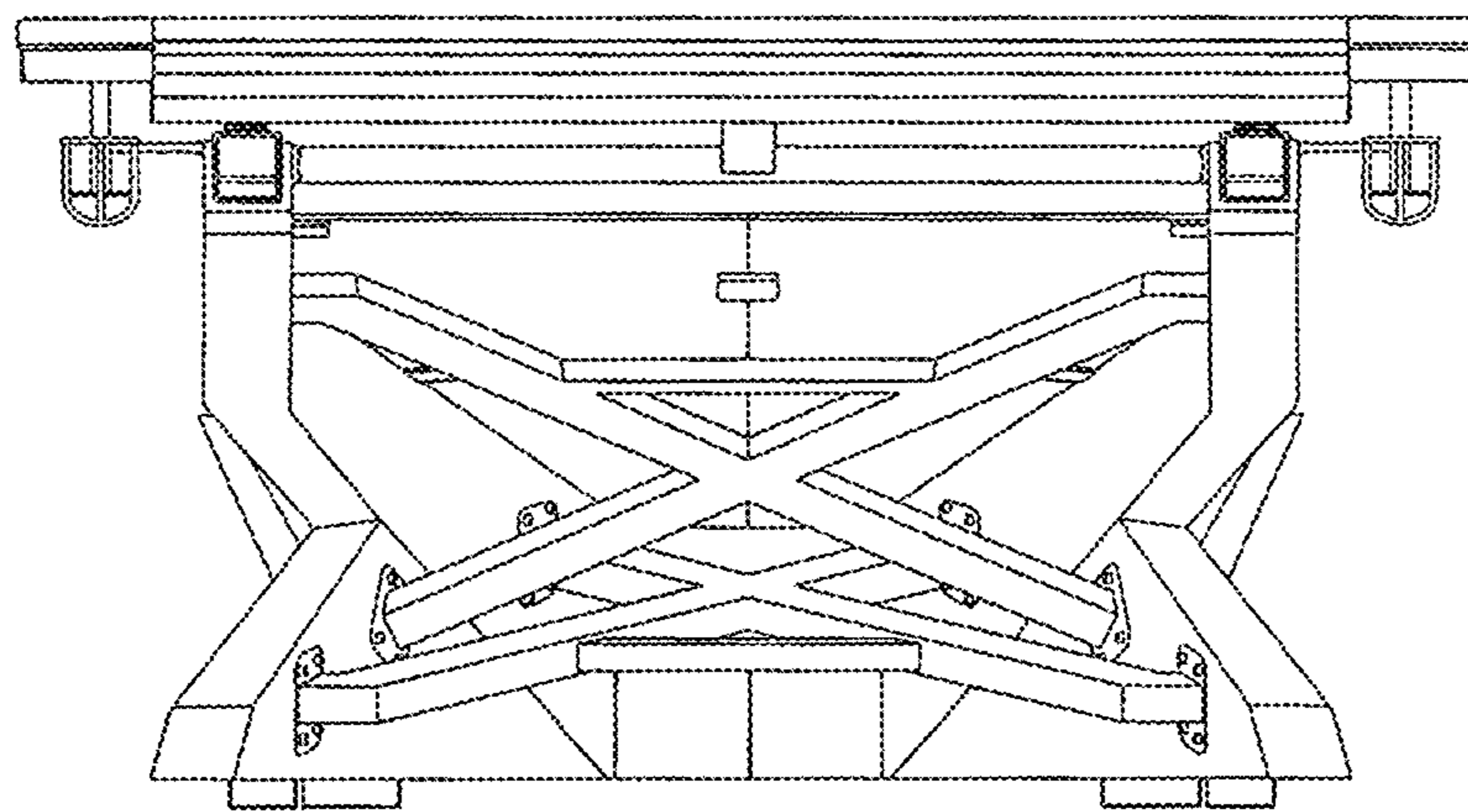


FIG.6

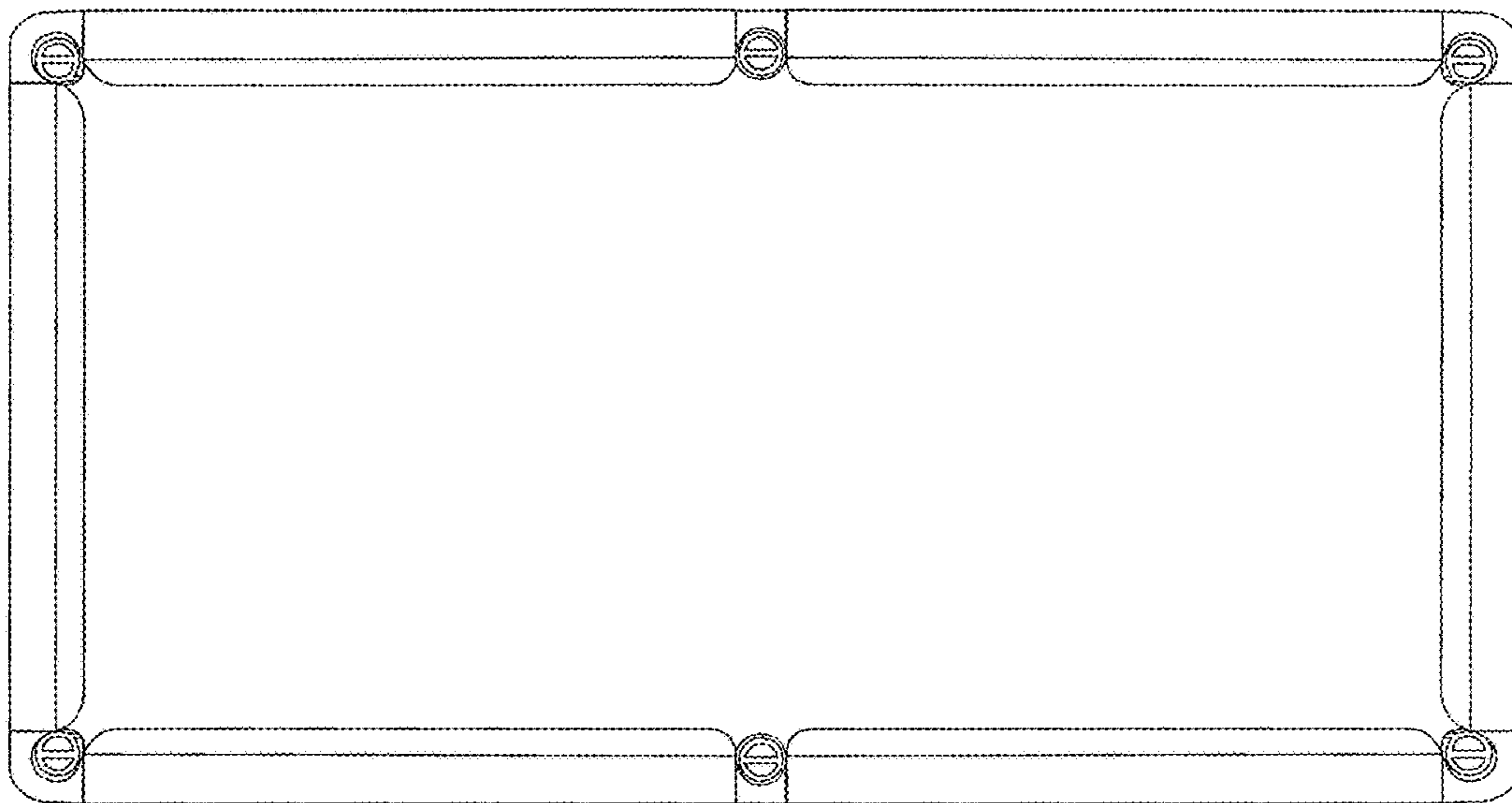


FIG. 7

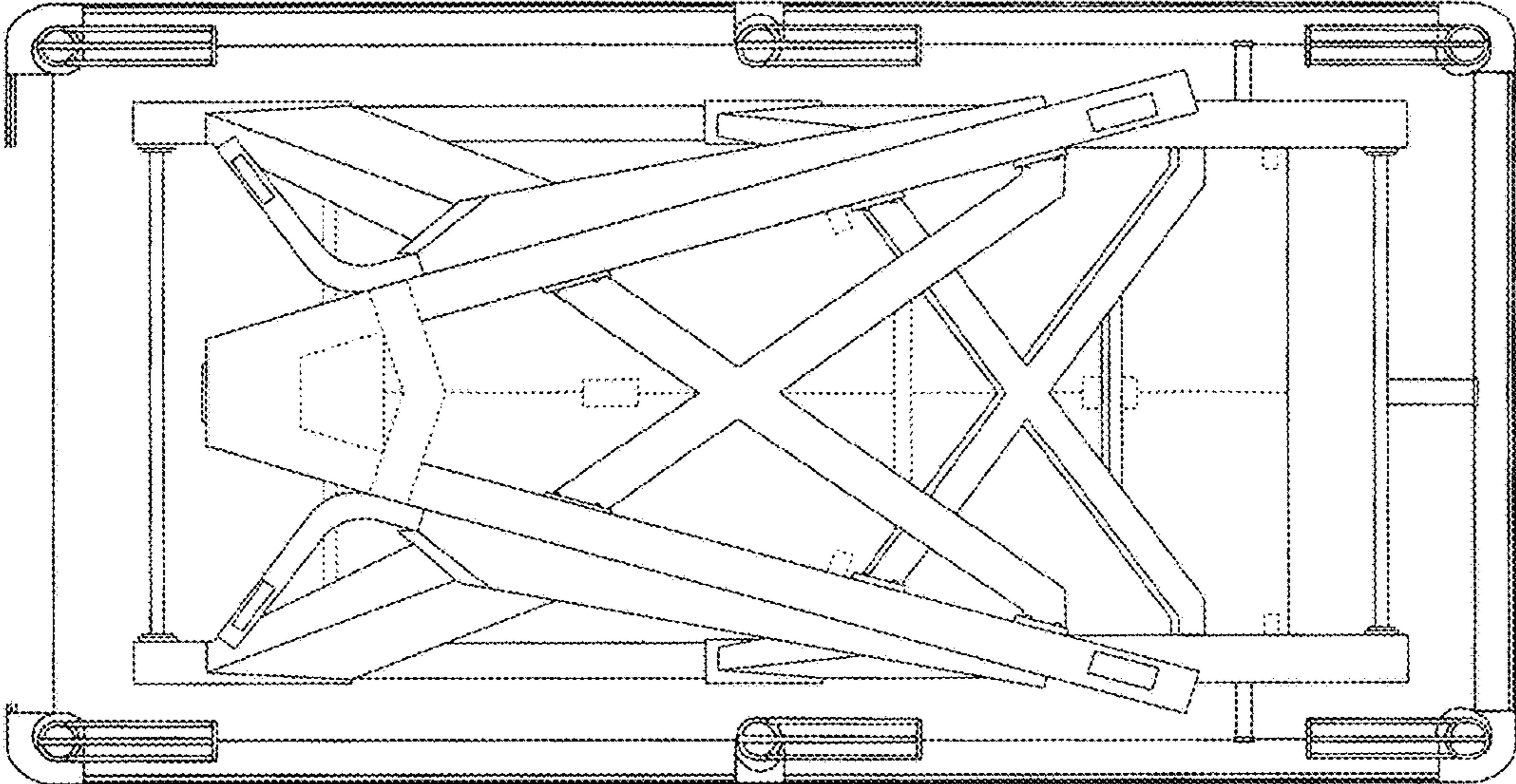


FIG. 8