



US00D849859S

(12) **United States Design Patent** (10) **Patent No.:** **US D849,859 S**
Deis (45) **Date of Patent:** **** May 28, 2019**

(54) **EXERCISE APPARATUS WITH SIDE RAILS**
 (71) Applicant: **Dale Deis**, Medicine Hat (CA)
 (72) Inventor: **Dale Deis**, Medicine Hat (CA)
 (73) Assignee: **Perfect Balance Rehabilitation** (CA)
 (**) Term: **15 Years**
 (21) Appl. No.: **29/626,254**
 (22) Filed: **Nov. 15, 2017**
 (51) **LOC (11) Cl.** **21-02**
 (52) **U.S. Cl.**
 USPC **D21/691**
 (58) **Field of Classification Search**
 USPC 482/5, 38, 41, 51, 92, 99, 121, 130, 133,
 482/138; 601/23; D21/23, 662, 673,
 D21/676, 686, 687, 690, 691, 694, 695,
 D21/698, 797
 CPC . A63B 21/0414; A63B 1/00; A63B 21/00047;
 A63B 9/00; A61H 1/0281
 See application file for complete search history.

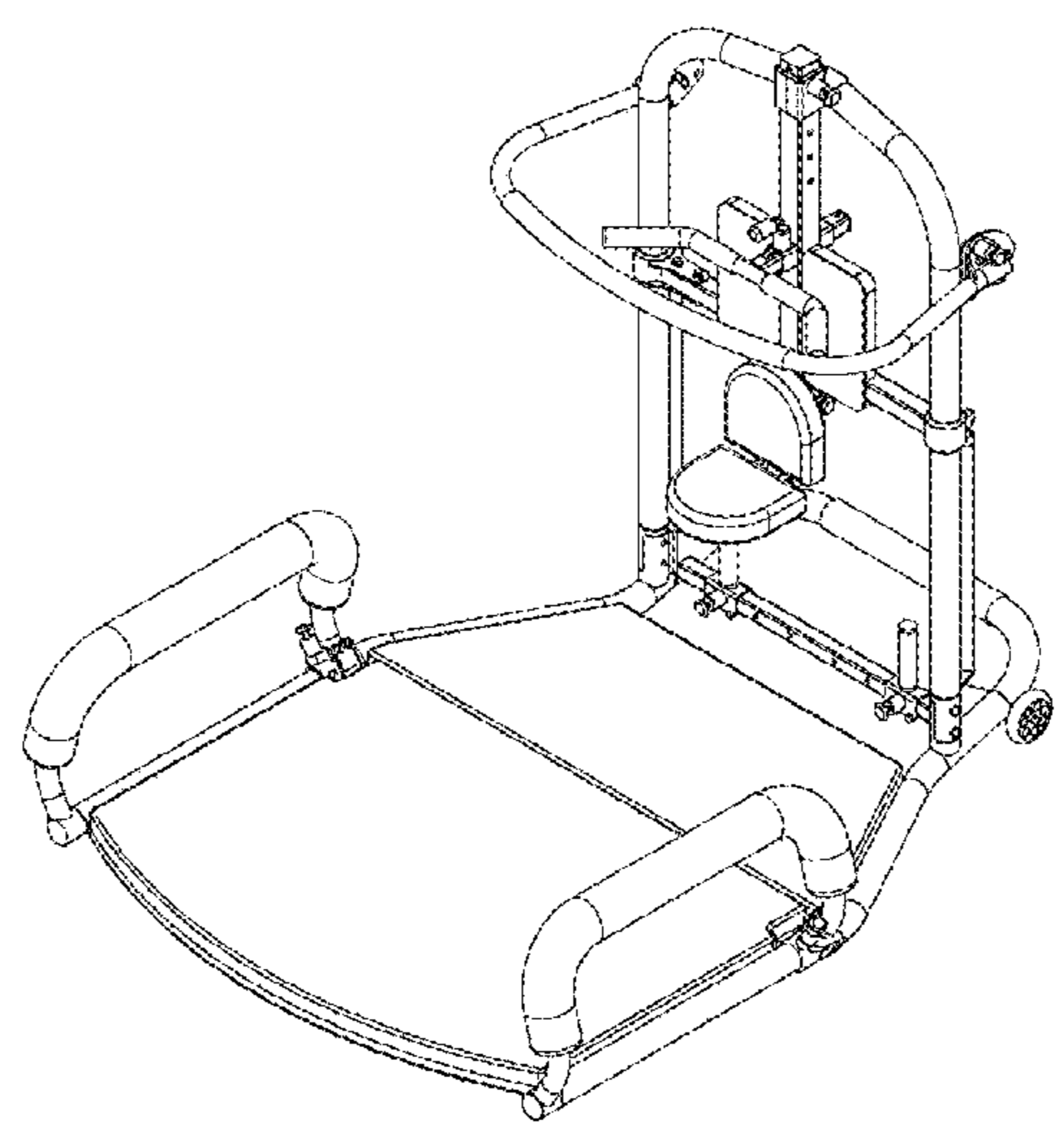
(56) **References Cited**
 U.S. PATENT DOCUMENTS
 5,135,458 A * 8/1992 Huang A63B 22/02
 482/138
 5,586,961 A * 12/1996 Quint A63B 22/02
 482/138
 D380,024 S * 6/1997 Novak D21/690
 5,702,332 A * 12/1997 Hsieh A63B 21/04
 482/130
 5,749,668 A * 5/1998 McIlvain A63B 21/154
 482/79
 6,589,142 B2 * 7/2003 McAfee, Jr. A63B 21/023
 482/133
 D493,853 S * 8/2004 Campanaro D21/676
 7,137,934 B2 * 11/2006 Paramater A63B 21/068
 482/123

D550,791 S * 9/2007 Rogers D21/694
 7,857,739 B2 * 12/2010 Caldwell A63B 21/00047
 482/130
 7,867,153 B2 * 1/2011 Roman A63B 21/068
 482/133
 7,955,238 B2 * 6/2011 Dokshutsky A63B 21/0552
 482/121
 8,083,654 B1 * 12/2011 MacDonald A63B 21/04
 482/121
 8,216,116 B2 * 7/2012 Canali A61H 1/0281
 482/130
 8,602,953 B2 * 12/2013 Jordan A63B 21/055
 482/121
 8,641,585 B2 * 2/2014 LaGree A63B 21/023
 482/92
 8,777,817 B2 * 7/2014 Finestein A63B 21/012
 482/93

* cited by examiner
Primary Examiner — Cynthia Ramirez
Assistant Examiner — Michael A Maharajh
 (74) *Attorney, Agent, or Firm* — Haynes and Boone, LLP

(57) **CLAIM**
 The ornamental design for the exercise apparatus with side rails, as shown and described.

DESCRIPTION
 FIG. 1 shows a front perspective view of an exercise apparatus with side rails;
 FIG. 2 shows a side view of the exercise apparatus with side rails of FIG. 1;
 FIG. 3 shows a front view of the exercise apparatus with side rails of FIG. 1;
 FIG. 4 shows a rear view of the exercise apparatus with side rails of FIG. 1; and,
 FIG. 5 shows a top view of the exercise apparatus with side rails of FIG. 1.
1 Claim, 5 Drawing Sheets



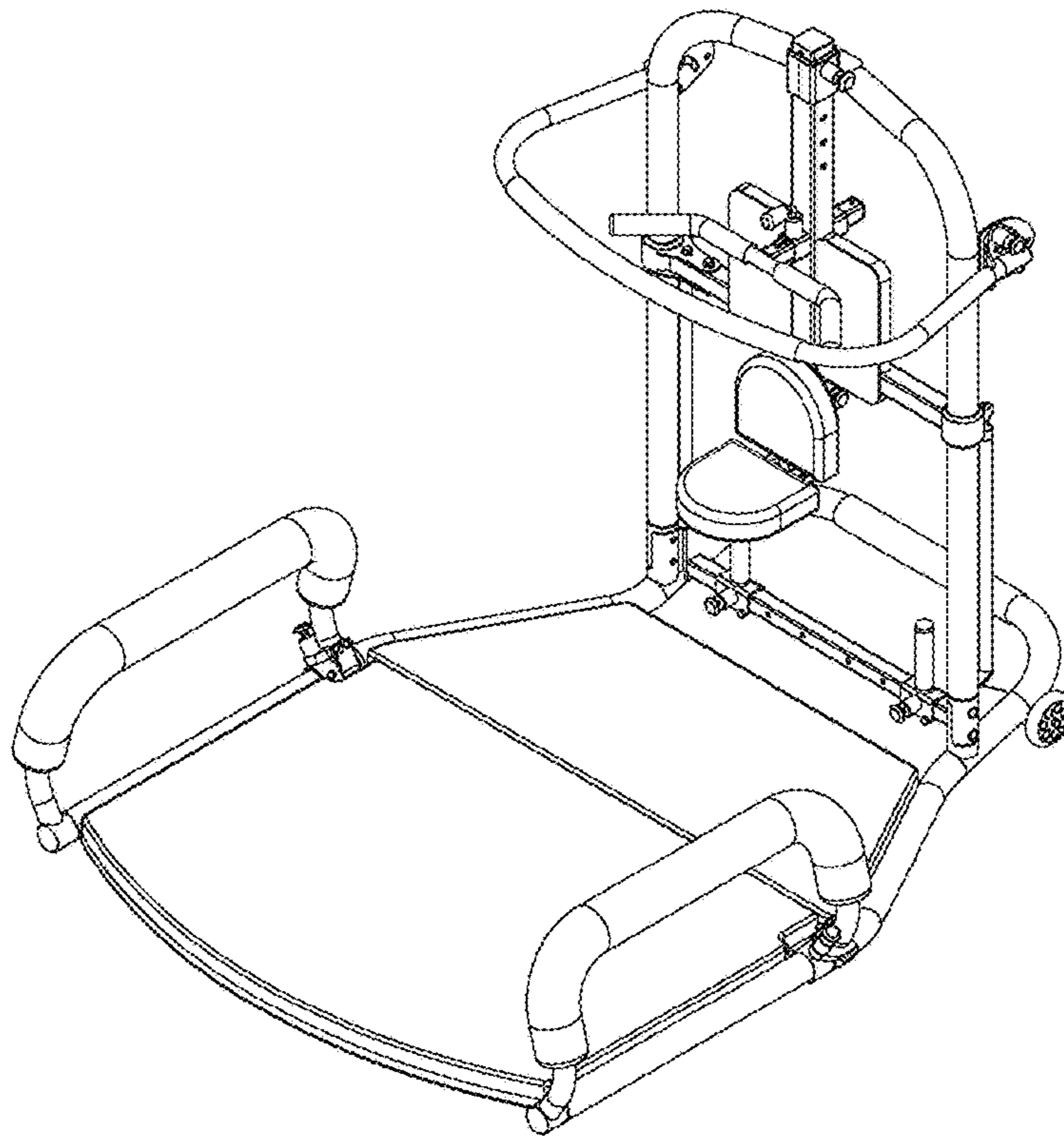


FIG. 1

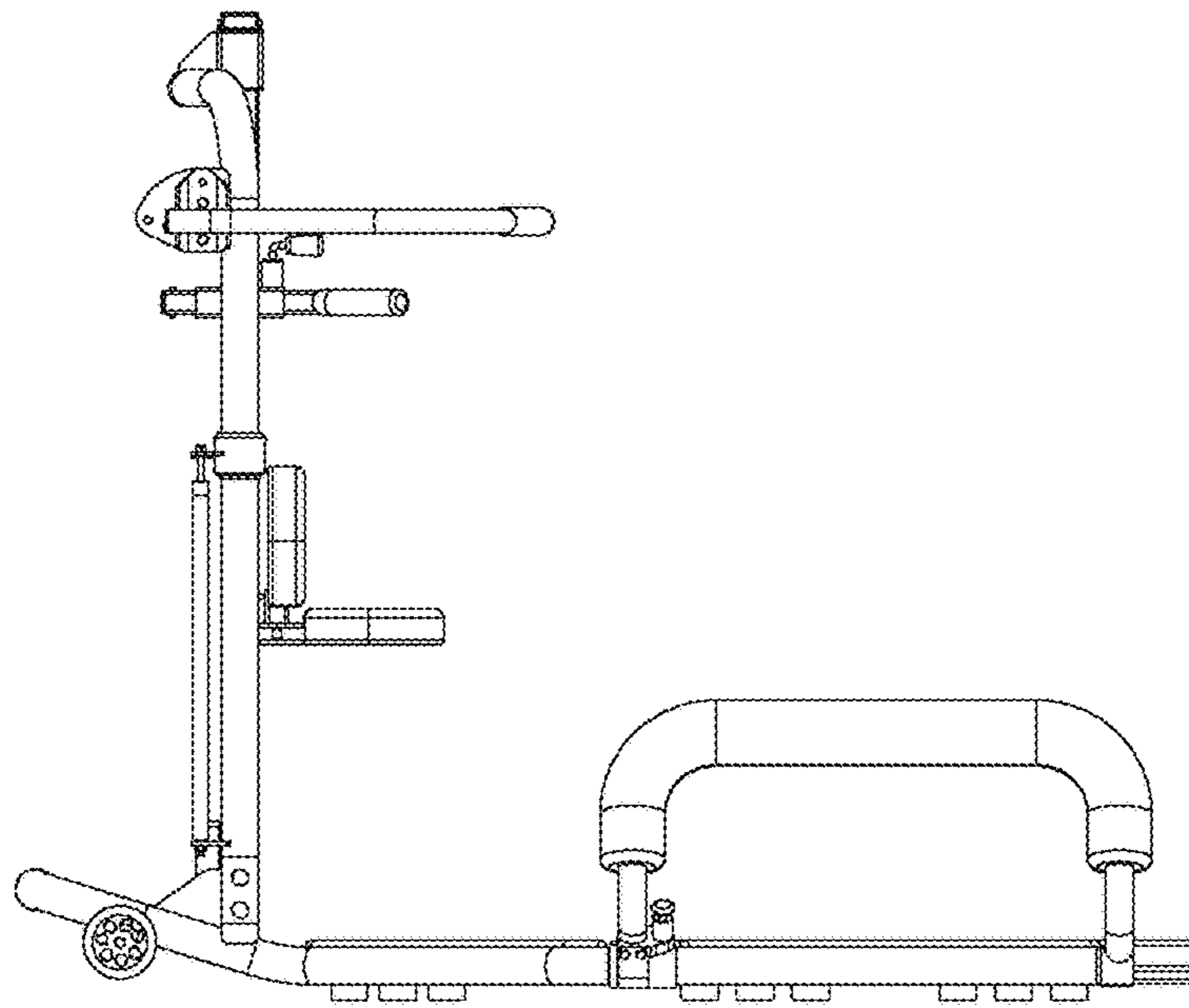


FIG. 2

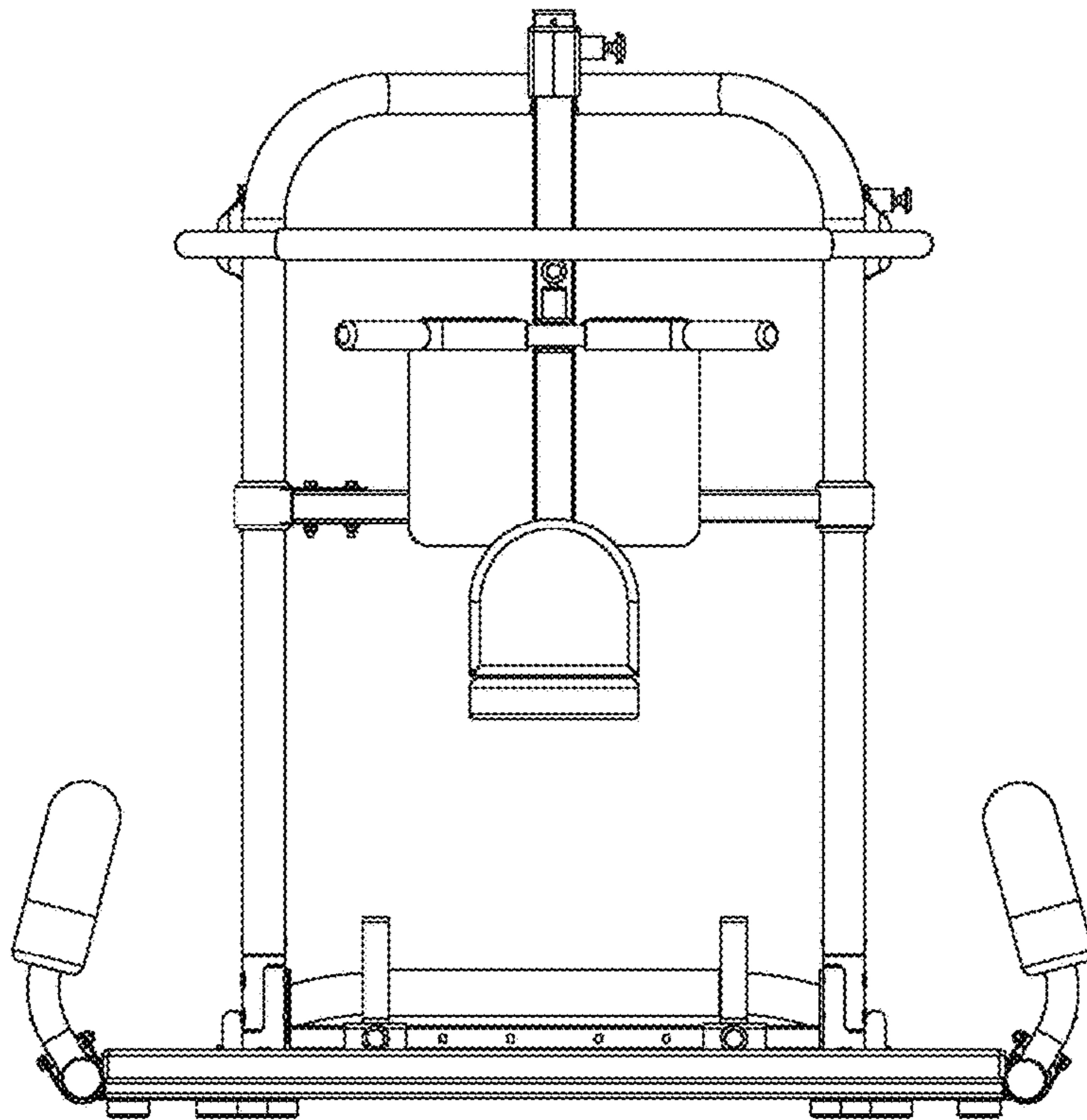


FIG. 3

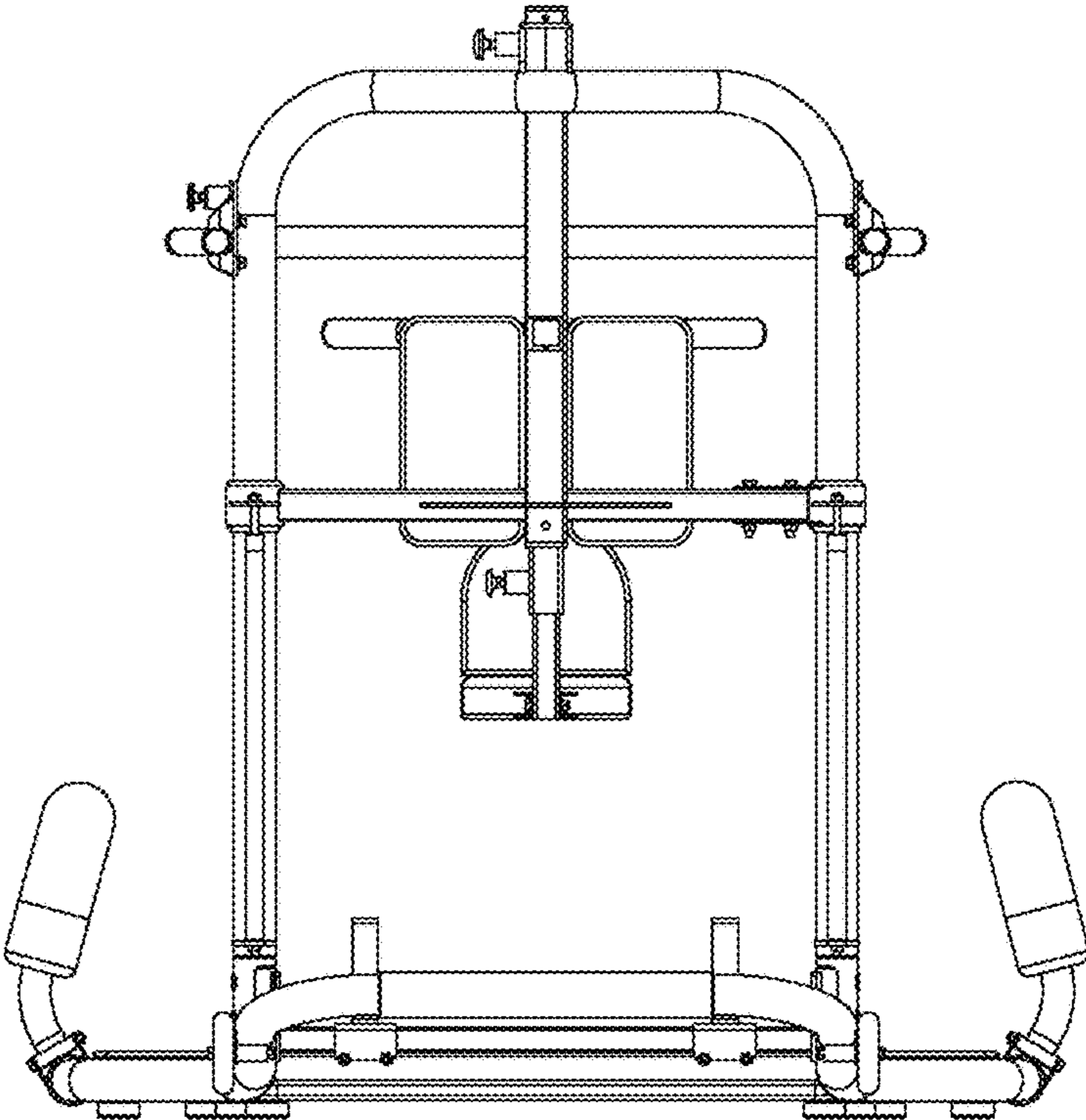


FIG. 4

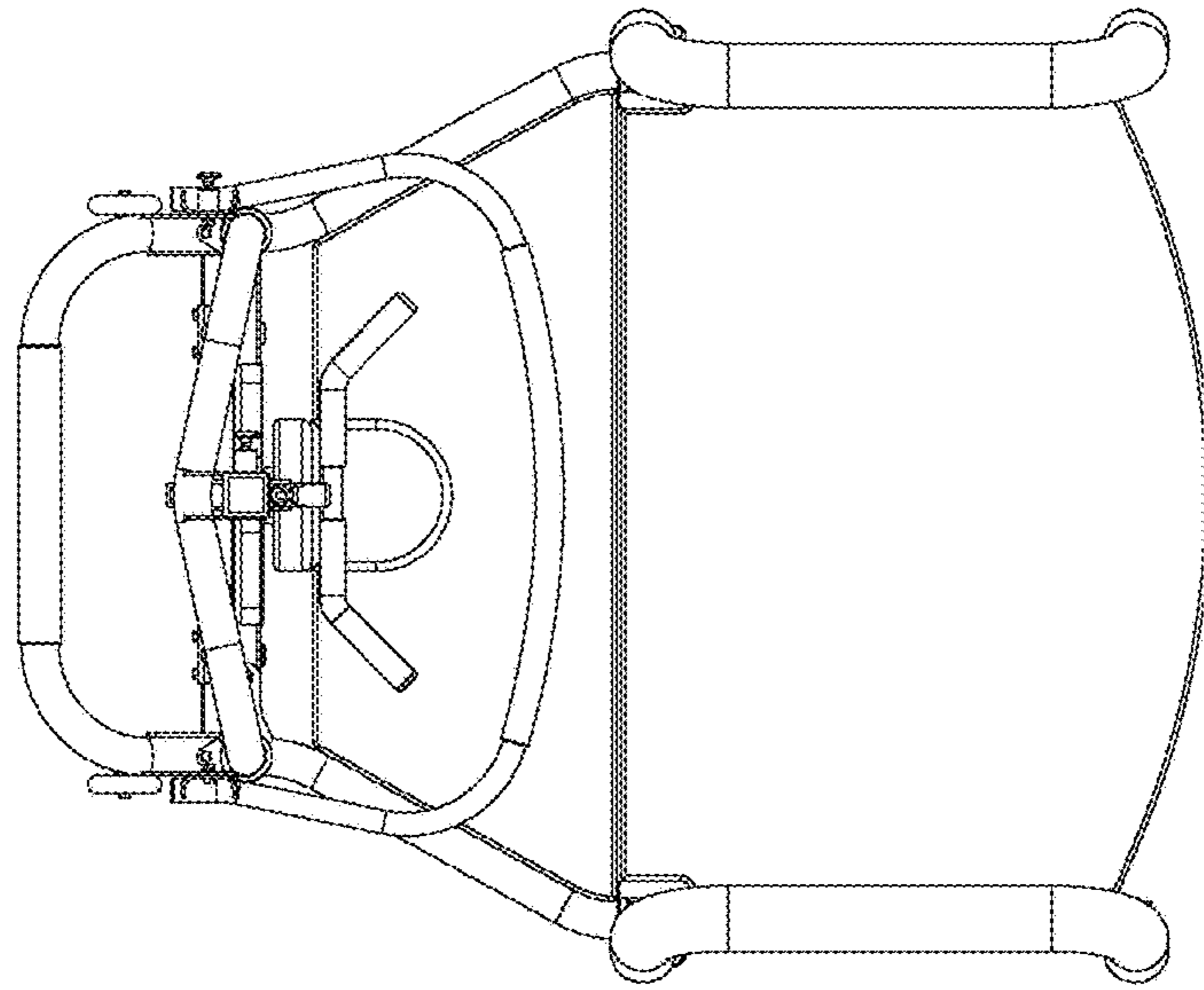


FIG. 5