



US00D849858S

(12) **United States Design Patent**
Deis

(10) **Patent No.:** **US D849,858 S**

(45) **Date of Patent:** **** May 28, 2019**

- (54) **EXERCISE APPARATUS**
- (71) Applicant: **Perfect Balance Rehabilitation,**
Medicine Hat (CA)
- (72) Inventor: **Dale Deis, Medicine Hat (CA)**
- (73) Assignee: **Perfect Balance Rehabilitation (CA)**
- (**) Term: **15 Years**
- (21) Appl. No.: **29/626,250**
- (22) Filed: **Nov. 15, 2017**
- (51) **LOC (11) Cl.** **21-02**
- (52) **U.S. Cl.**
USPC **D21/691**
- (58) **Field of Classification Search**
USPC 482/5, 38, 41, 51, 92, 99, 121, 130, 133,
482/138; 601/23; D21/23, 662, 673,
D21/676, 686, 687, 690, 691, 694, 695,
D21/698, 797
CPC . A63B 21/0414; A63B 1/00; A63B 21/00047;
A63B 9/00; A61H 1/0281
See application file for complete search history.

- 7,137,934 B2 * 11/2006 Paramater A63B 21/068
482/123
- D550,791 S * 9/2007 Rogers D21/694
- 7,857,739 B2 * 12/2010 Caldwell A63B 21/00047
482/130
- 7,867,153 B2 * 1/2011 Roman A63B 21/068
482/133
- 7,955,238 B2 * 6/2011 Dokshutsky A63B 21/0552
482/121
- 8,083,654 B1 * 12/2011 MacDonald A63B 21/04
482/121
- 8,216,116 B2 * 7/2012 Canali A61H 1/0281
482/130
- 8,602,953 B2 * 12/2013 Jordan A63B 21/055
482/121
- 8,641,585 B2 * 2/2014 LaGree A63B 21/023
482/92
- 8,777,817 B2 * 7/2014 Finestein A63B 21/012
482/93

* cited by examiner

Primary Examiner — Cynthia Ramirez
Assistant Examiner — Michael A Maharajh
(74) *Attorney, Agent, or Firm* — Haynes and Boone, LLP

(57) **CLAIM**

The ornamental design for the exercise apparatus, as shown and described.

(56) **References Cited**

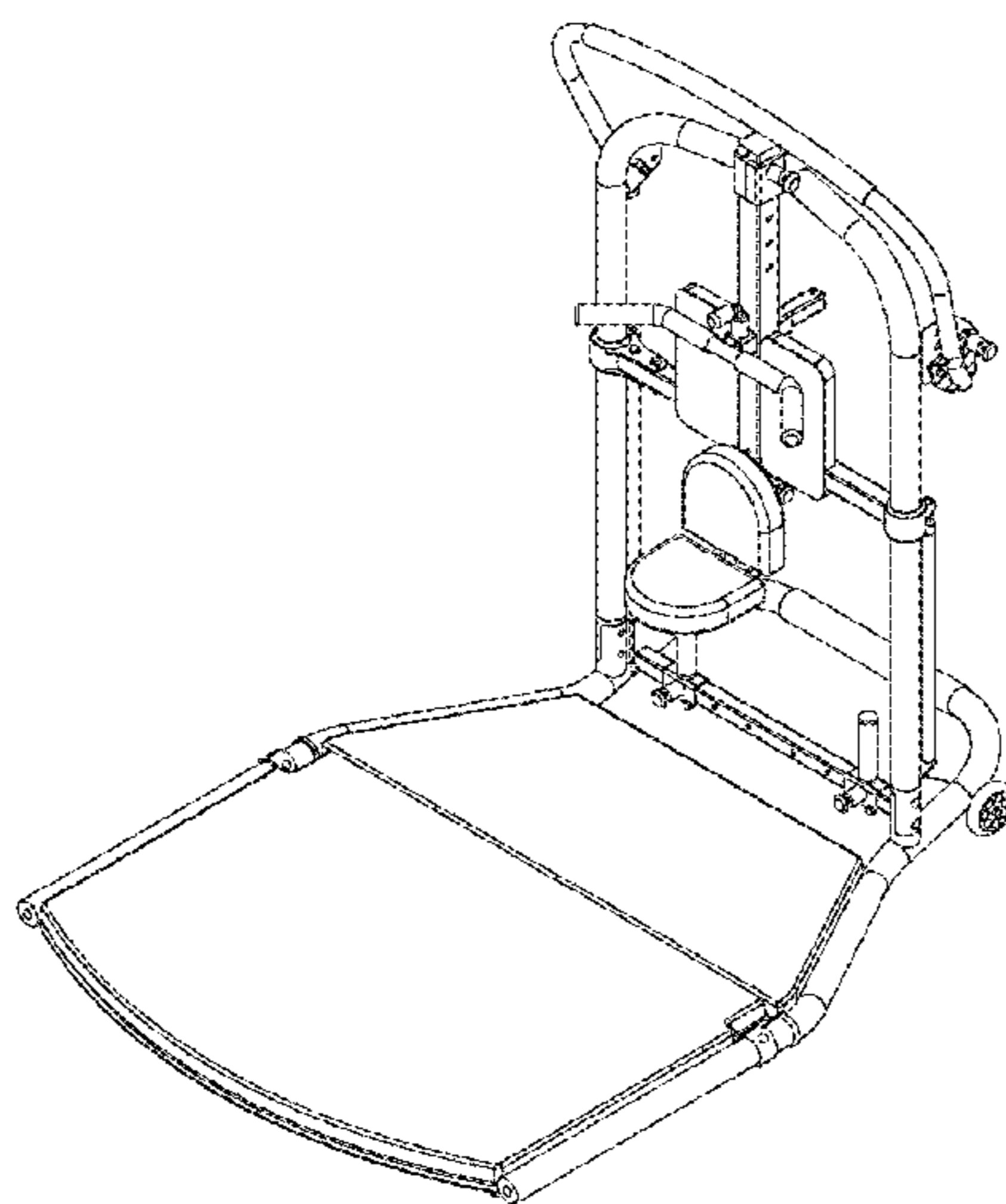
U.S. PATENT DOCUMENTS

- 5,135,458 A * 8/1992 Huang A63B 22/02
482/138
- 5,586,961 A * 12/1996 Quint A63B 22/02
482/138
- D380,024 S * 6/1997 Novak D21/690
- 5,702,332 A * 12/1997 Hsieh A63B 21/04
482/130
- 5,749,668 A * 5/1998 McIlvain A63B 21/154
482/79
- 6,589,142 B2 * 7/2003 McAfee, Jr. A63B 21/023
482/133
- D493,853 S * 8/2004 Campanaro D21/676

DESCRIPTION

FIG. 1 shows a front perspective view of an exercise apparatus;
FIG. 2 shows a side view of the exercise apparatus of FIG. 1;
FIG. 3 shows a front view of the exercise apparatus of FIG. 1;
FIG. 4 shows a rear view of the exercise apparatus of FIG. 1; and,
FIG. 5 shows a top view of the exercise apparatus of FIG. 1.

1 Claim, 5 Drawing Sheets



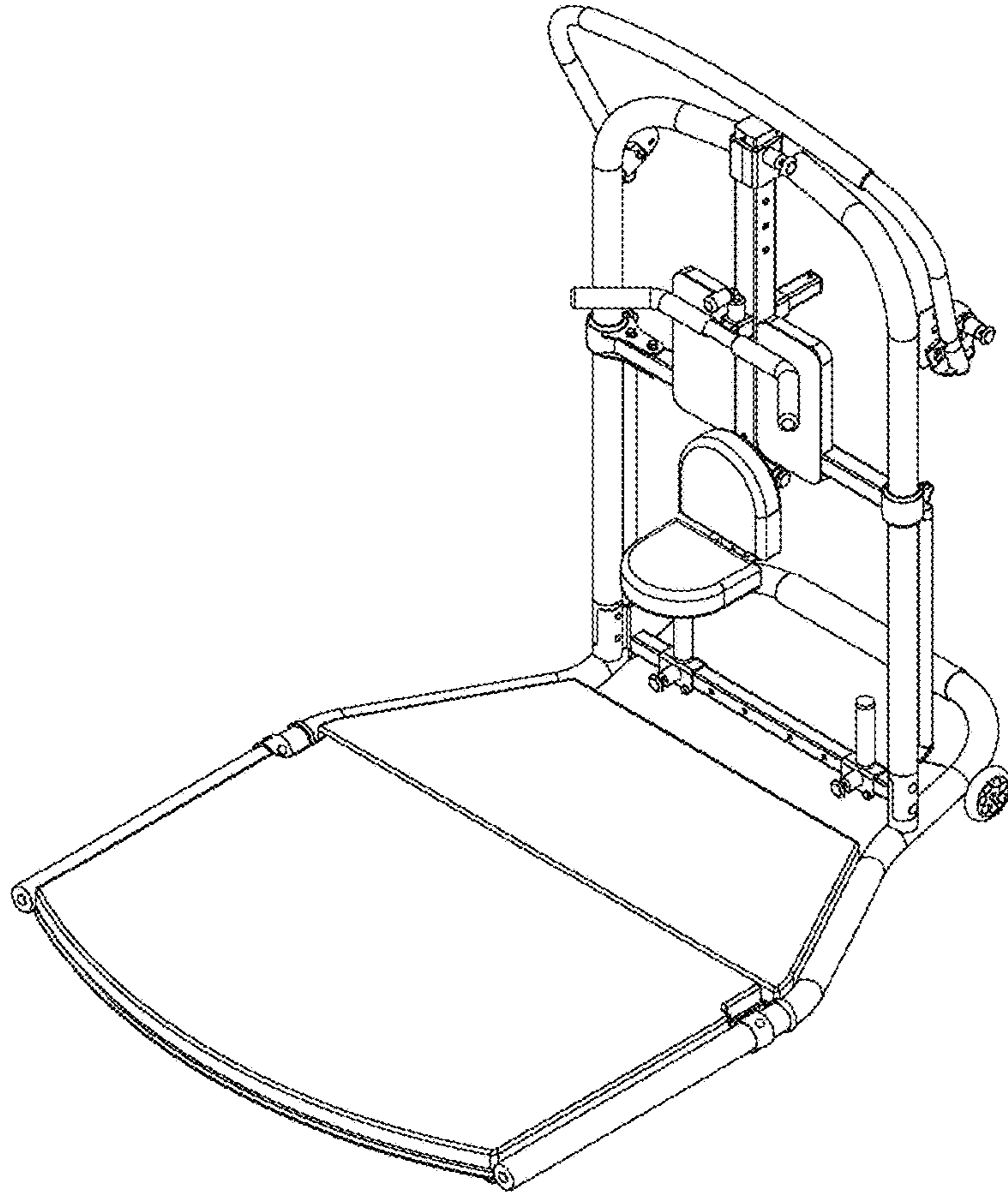


FIG. 1

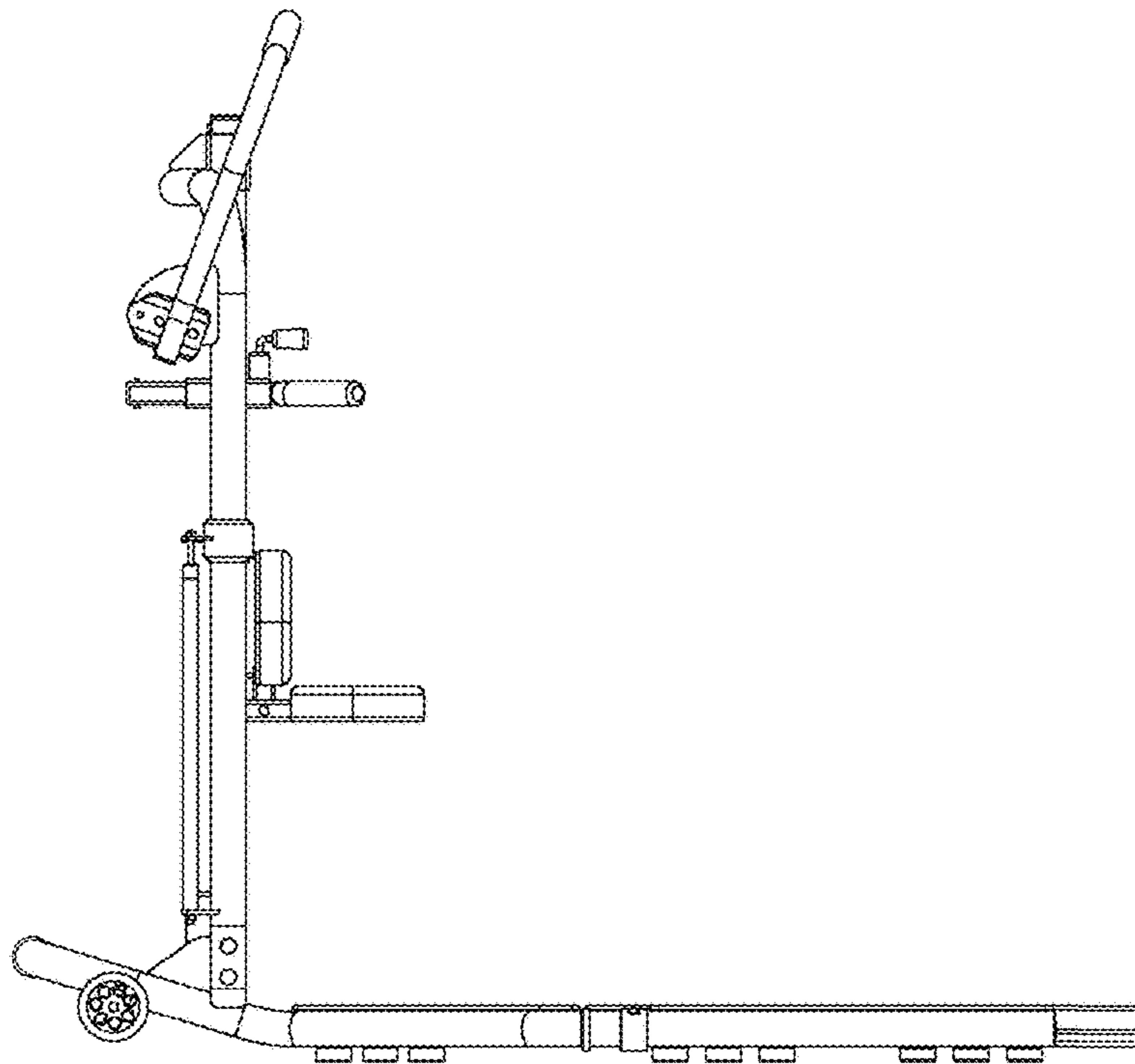


FIG. 2

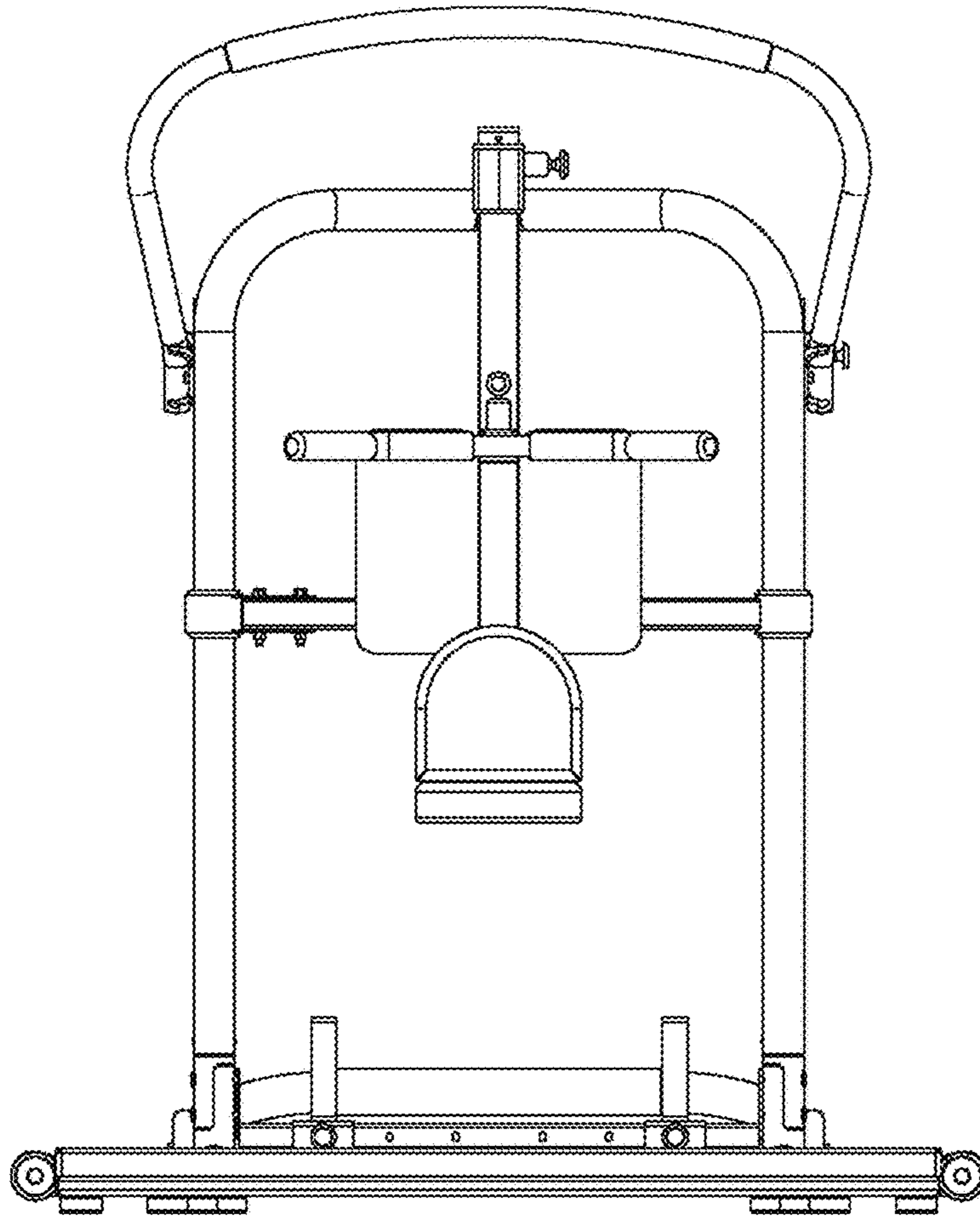


FIG. 3

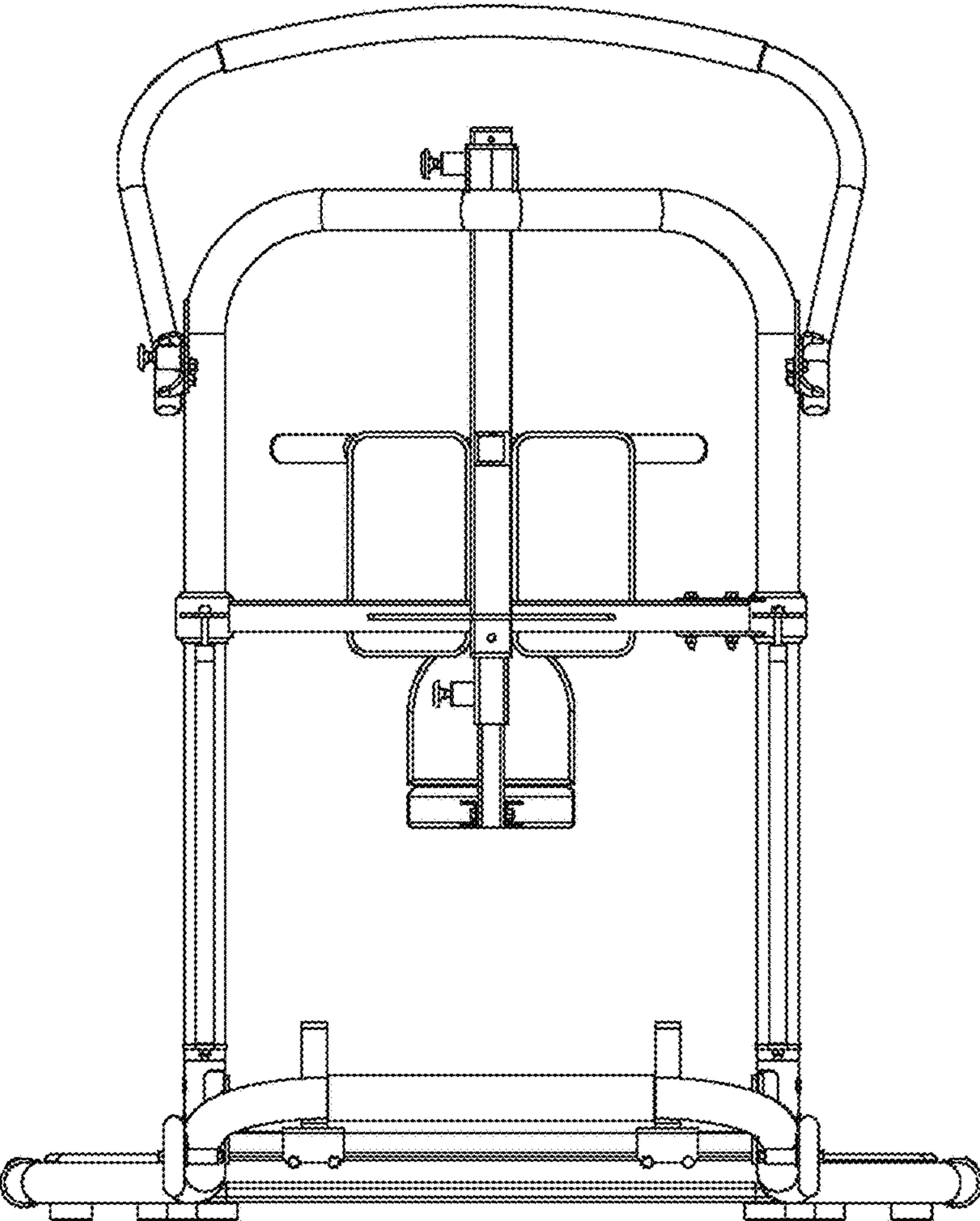


FIG. 4

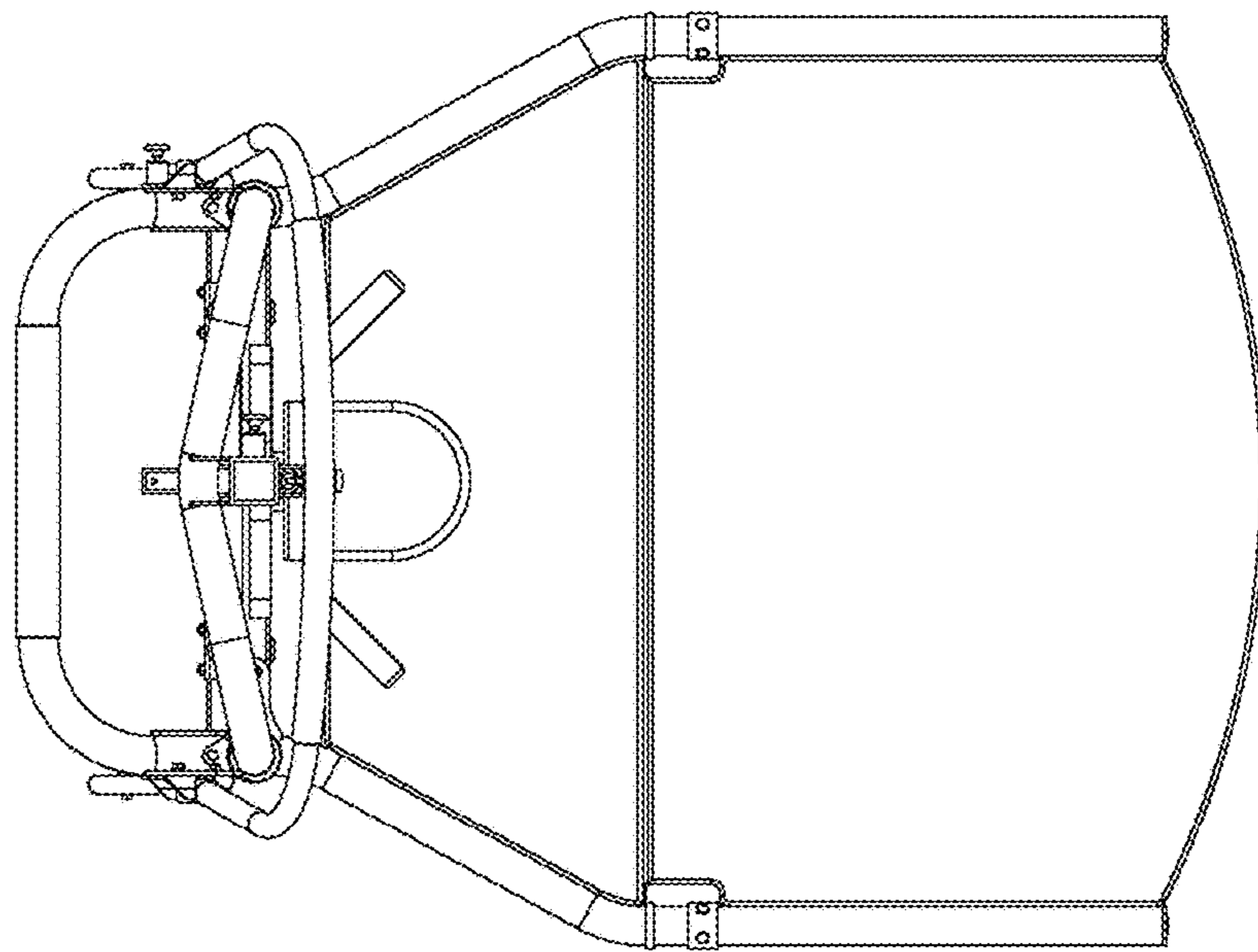


FIG. 5