



US00D849857S

(12) **United States Design Patent** (10) **Patent No.:** **US D849,857 S**
Tartell (45) **Date of Patent:** **** May 28, 2019**

(54) **EXERCISE PLATFORM**

(71) Applicant: **Michael G. Tartell**, Roslyn, NY (US)

(72) Inventor: **Michael G. Tartell**, Roslyn, NY (US)

(**) Term: **15 Years**

(21) Appl. No.: **29/633,669**

(22) Filed: **Jan. 15, 2018**

Related U.S. Application Data

(63) Continuation-in-part of application No. 29/587,773, filed on Dec. 15, 2016, now abandoned.

(51) **LOC (11) Cl.** **21-02**

(52) **U.S. Cl.**
USPC **D21/688**

(58) **Field of Classification Search**
USPC D21/668, 688, 685, 686, 689; 482/70, 482/79, 71, 132, 34, 146; 472/135, 110; 600/595; 473/451, 452, 269, 409; D6/349, 353
CPC A63B 26/003; A63B 22/16; A63B 22/18; A63B 2022/0033; A63B 69/0093; A63B 21/0004; A63B 2208/0204; A63B 22/14;

(Continued)

(56) **References Cited**

U.S. PATENT DOCUMENTS

3,559,986 A * 2/1971 Ehrmantraut A63B 23/03533 482/132

D225,342 S * 12/1972 Francis D21/668
(Continued)

Primary Examiner — Ryan Harvey

(74) *Attorney, Agent, or Firm* — Collard & Roe, P.C.

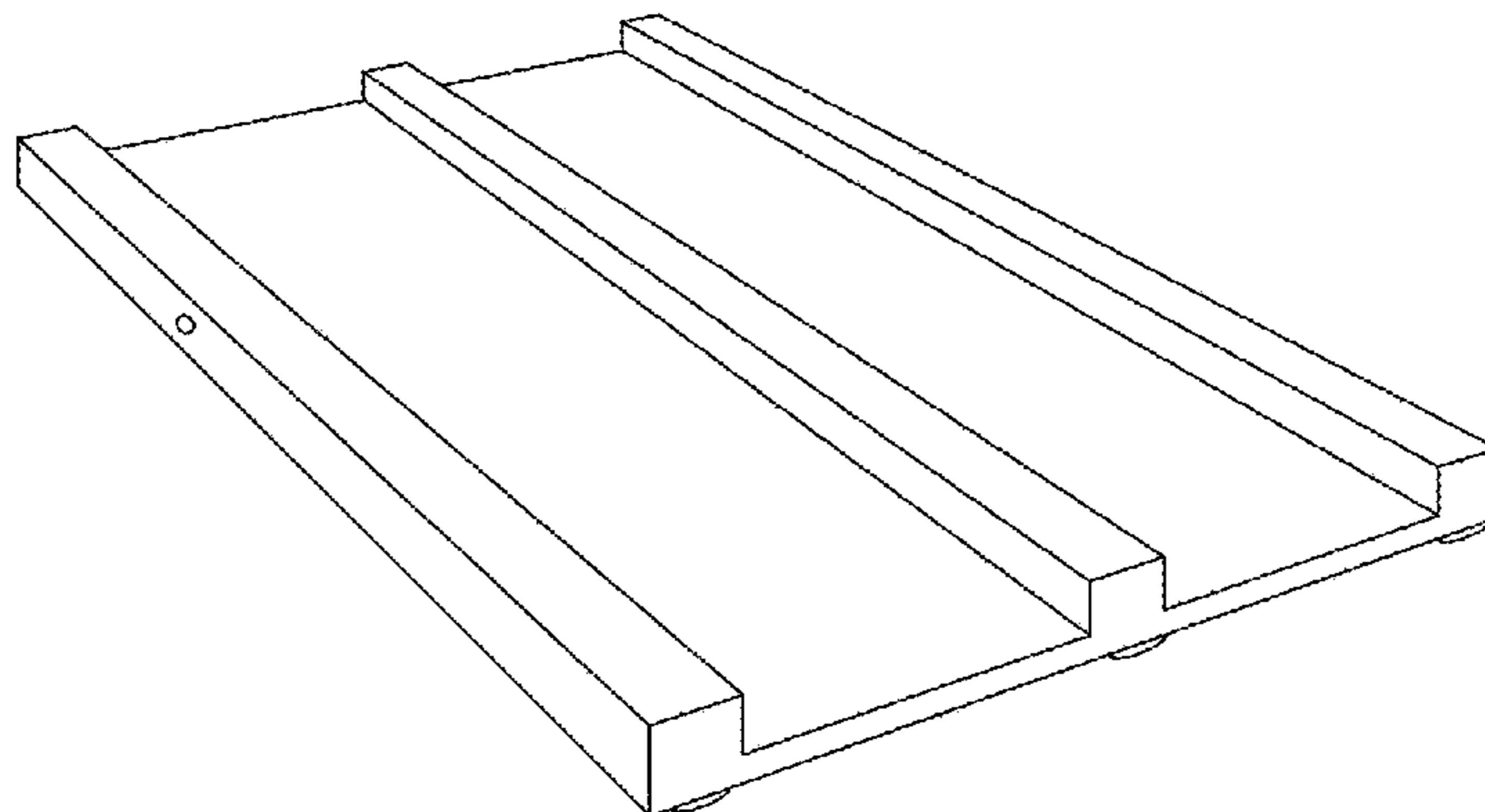
(57) **CLAIM**

The ornamental design for an exercise platform, as shown and described.

DESCRIPTION

FIG. 1 is a front view of an exercise platform;
FIG. 2 is a first end view of the exercise platform of FIG. 1;
FIG. 3 is a second end view of the exercise platform of FIG. 1 opposite the view of FIG. 2;
FIG. 4 is a left-side view of the platform based upon the orientation of FIG. 1;
FIG. 5 is a right-side view of the exercise platform based upon the orientation of FIG. 1;
FIG. 6 is a back view of the exercise platform opposite the top side view of FIG. 1;
FIG. 7 is a front-left perspective view of the exercise platform thereof;
FIG. 8 is a front-right perspective view of the exercise platform thereof;
FIG. 9 is a side view of the exercise platform elevated on one side with a support bracket;
FIG. 10 is a left-side-top perspective view of the sliders;
FIG. 11 is a right-side-top perspective view of the sliders;
FIG. 12 is a bottom view of the sliders shown in FIG. 10;
FIG. 13 is a top view of the sliders shown in FIG. 10;
FIG. 14 is an outside view of the support bracket shown in FIG. 9;
FIG. 15 is an inside view of the support bracket shown in FIG. 9;
FIG. 16 is a top view of the support bracket shown in FIG. 9;
FIG. 17 is a bottom view of the support bracket shown in FIG. 9;
FIG. 18 is an end view of the support bracket shown in FIG. 9;
FIG. 19 is an opposite end view of the support bracket shown in FIG. 9; and,
FIG. 20 is a perspective view of the support bracket shown in FIG. 9.
The broken lines and areas within the broken lines illustrate portions of the exercise platform that form no part of the claimed design.

1 Claim, 13 Drawing Sheets



(58) **Field of Classification Search**
 CPC A63B 22/203; A63B 23/03508; A63B
 22/208
 See application file for complete search history.

(56) **References Cited**
 U.S. PATENT DOCUMENTS

D225,343 S * 12/1972 Francis D21/668
 4,088,325 A * 5/1978 Sutton A63B 69/3667
 472/110
 4,505,477 A * 3/1985 Wilkinson A63B 22/16
 280/87.041
 4,759,542 A * 7/1988 Hudec A63B 22/14
 482/146
 D313,521 S * 1/1991 Hassel D6/349
 5,328,421 A * 7/1994 Stanalajczo A63B 22/16
 482/34
 5,435,320 A * 7/1995 Seitz A61B 5/1036
 600/595
 D367,968 S * 3/1996 Hatcher D6/349
 D371,462 S * 7/1996 Grossmith D6/349
 D383,510 S * 9/1997 Bernardson D21/688
 D390,711 S * 2/1998 Pearl D6/349

5,916,036 A * 6/1999 Hamilton A63B 69/3667
 473/269
 6,666,797 B1 * 12/2003 Martin A63B 69/0093
 482/146
 6,705,977 B1 * 3/2004 Ziak A63B 21/0004
 472/135
 D622,787 S * 8/2010 Masterson D21/668
 D623,244 S * 9/2010 Hoffman D21/668
 D648,403 S * 11/2011 Haniffee D21/688
 9,162,133 B2 * 10/2015 Schroer A63B 69/3661
 9,931,540 B1 * 4/2018 Lazar A63B 26/003
 2001/0036885 A1 * 11/2001 Castellot, Jr. A63B 21/012
 482/79
 2006/0142099 A1 * 6/2006 Trucks A63B 69/0002
 473/452
 2007/0202970 A1 * 8/2007 Miller A63B 69/0002
 473/451
 2009/0029789 A1 * 1/2009 Davies A63B 69/3667
 473/218
 2009/0098983 A1 * 4/2009 Hoffman A63B 21/055
 482/70
 2011/0263398 A1 * 10/2011 Klassen A63B 22/16
 482/146

* cited by examiner

FIG. 1

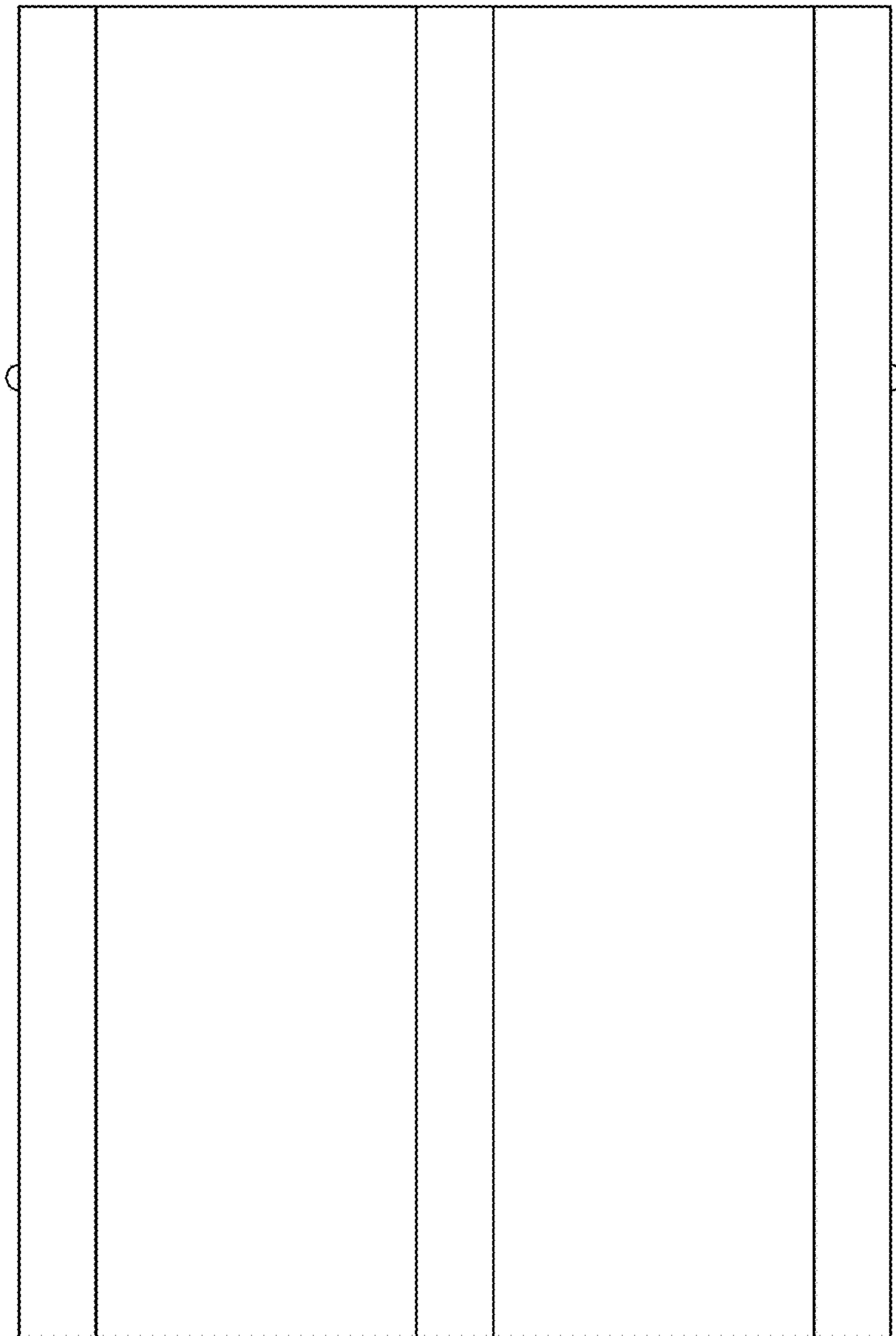


FIG. 2

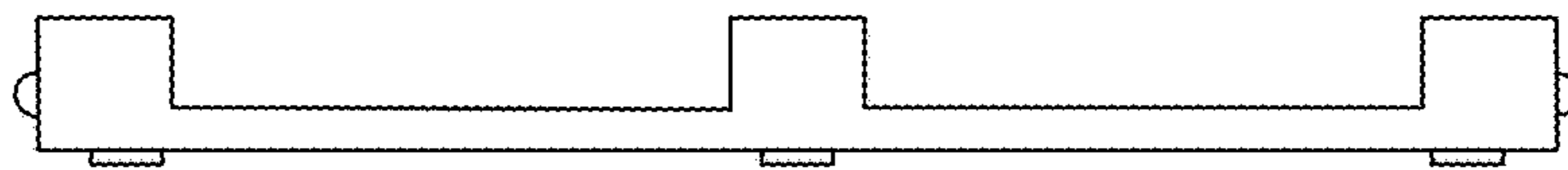


FIG. 3

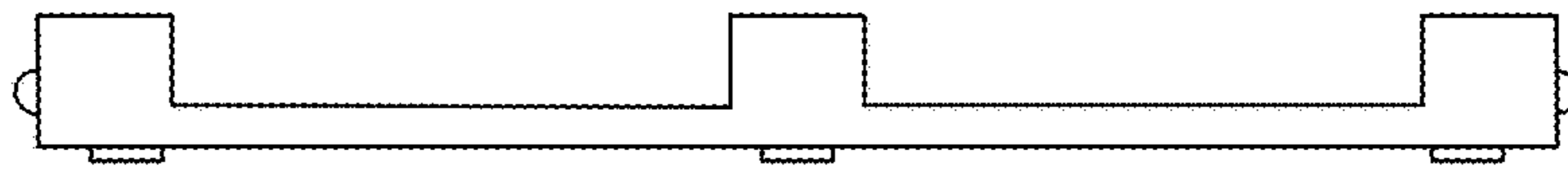


FIG. 4

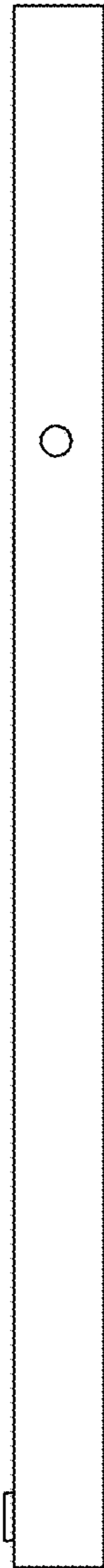


FIG. 5



FIG. 6

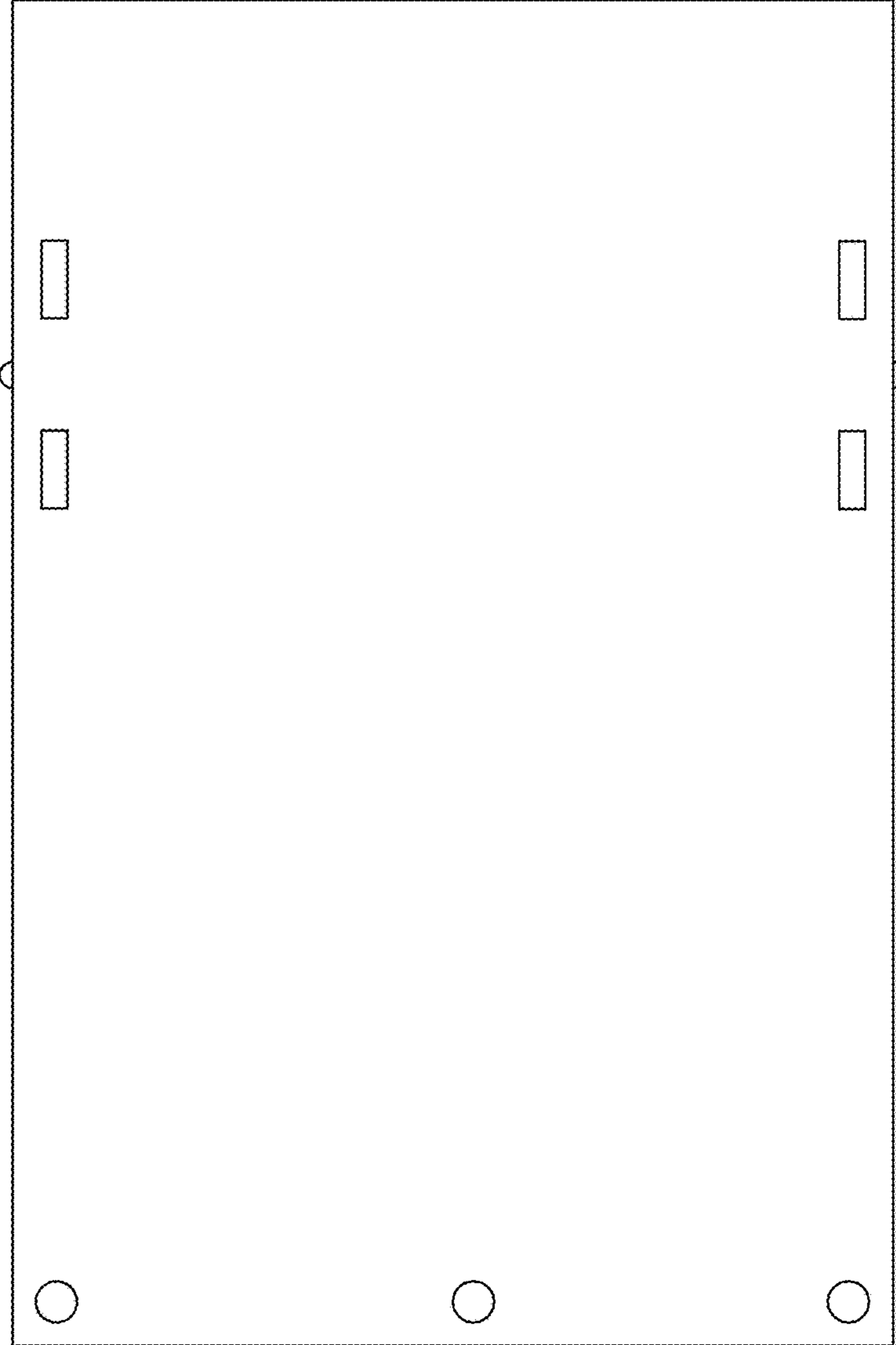


FIG. 7

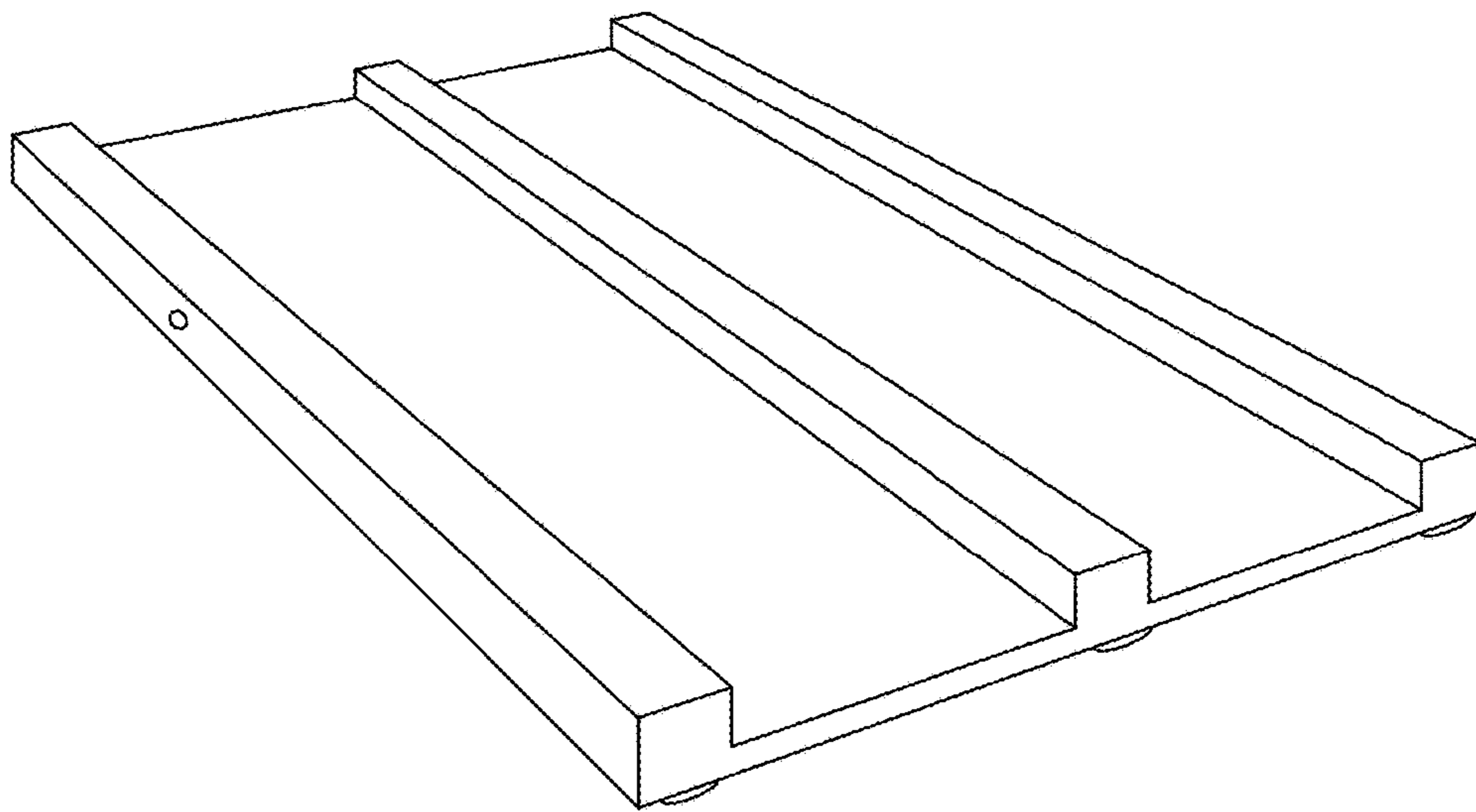


FIG. 8

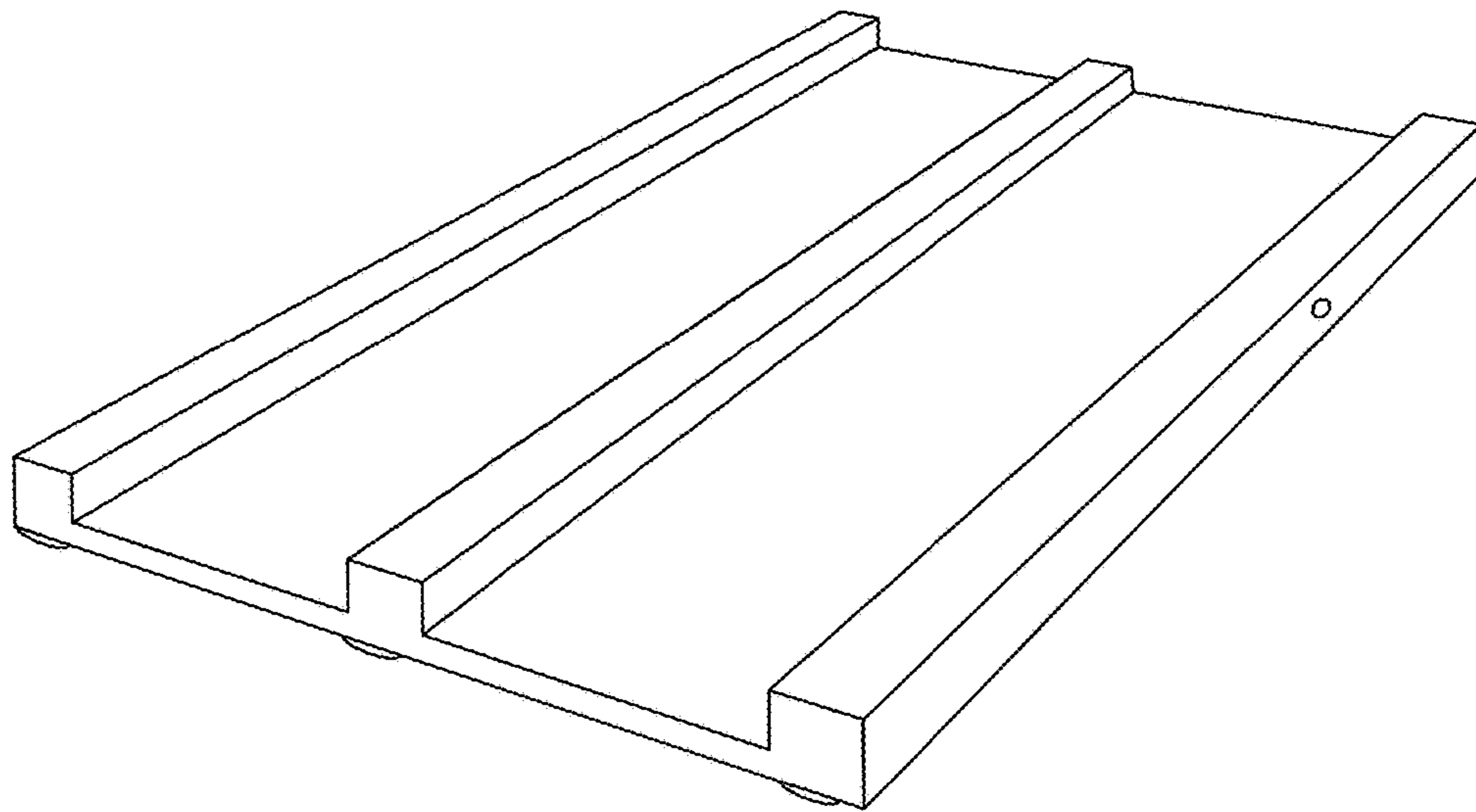


FIG. 9

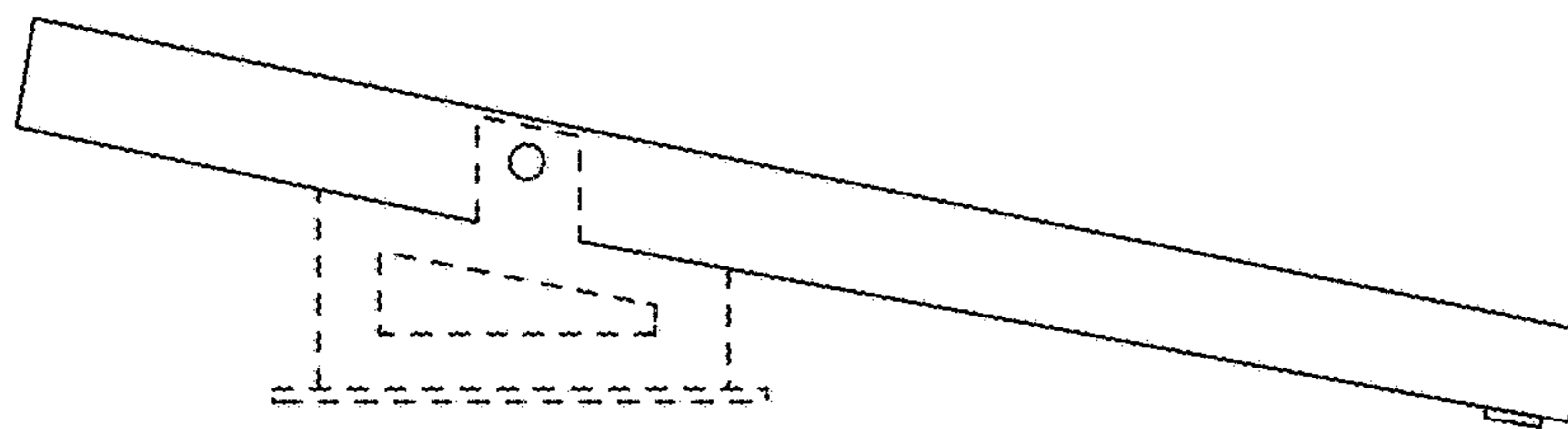


FIG. 10

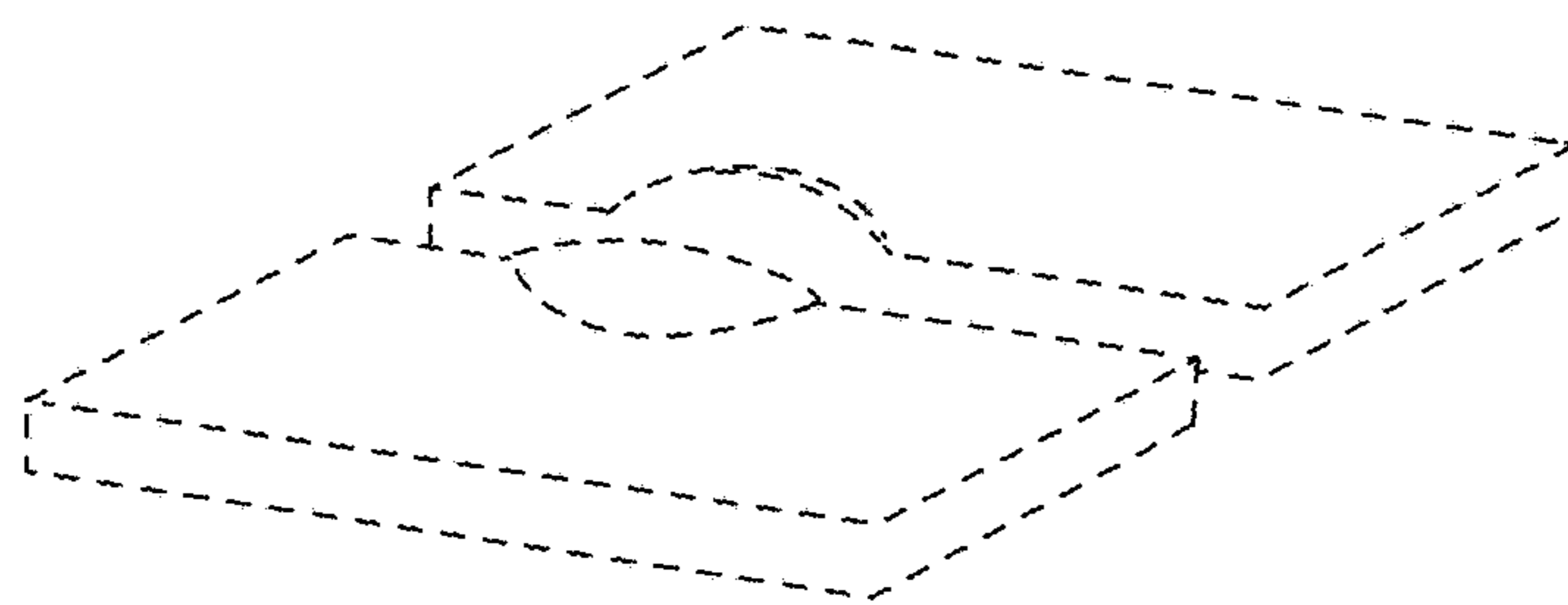


FIG. 11

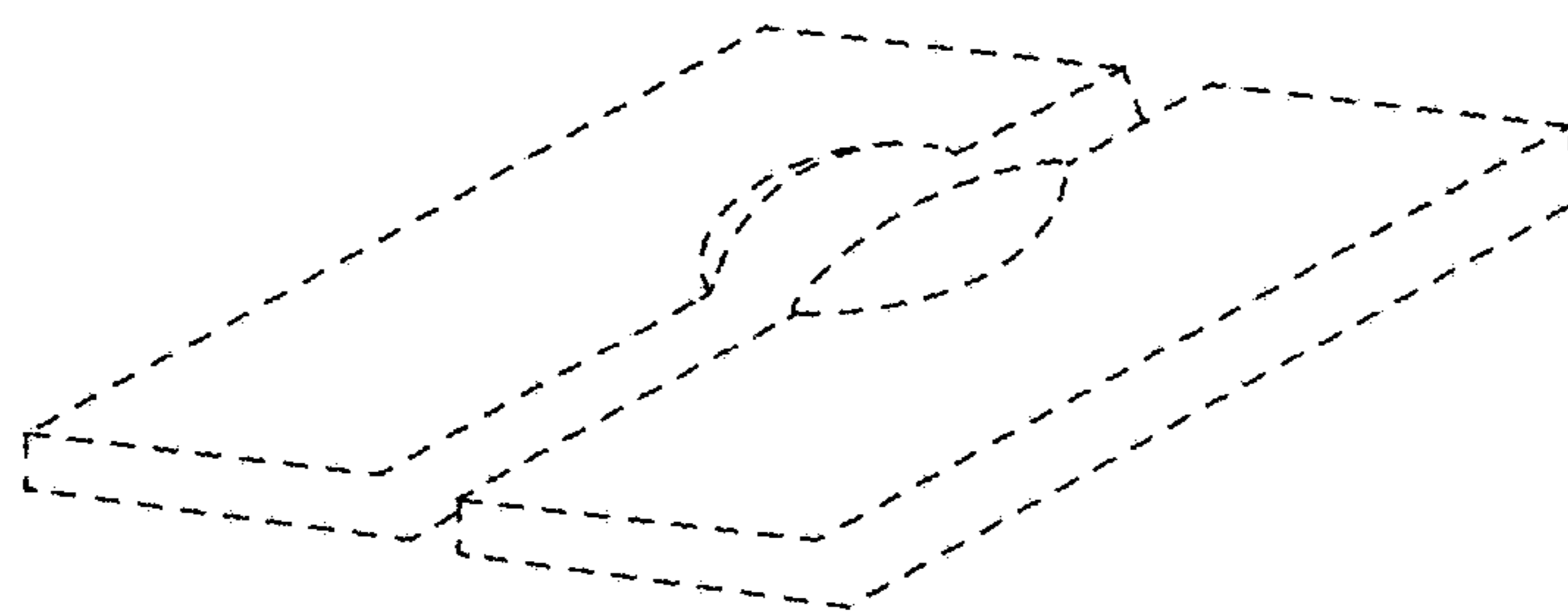


FIG. 12

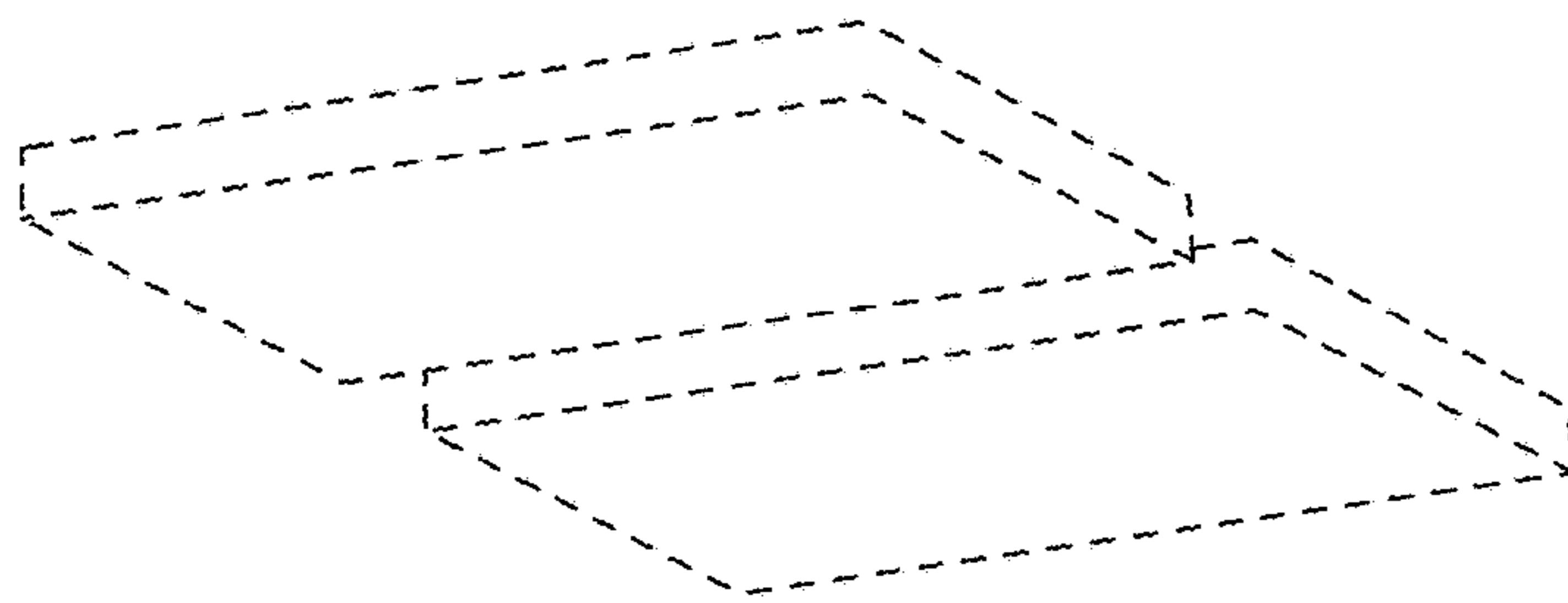


FIG. 13

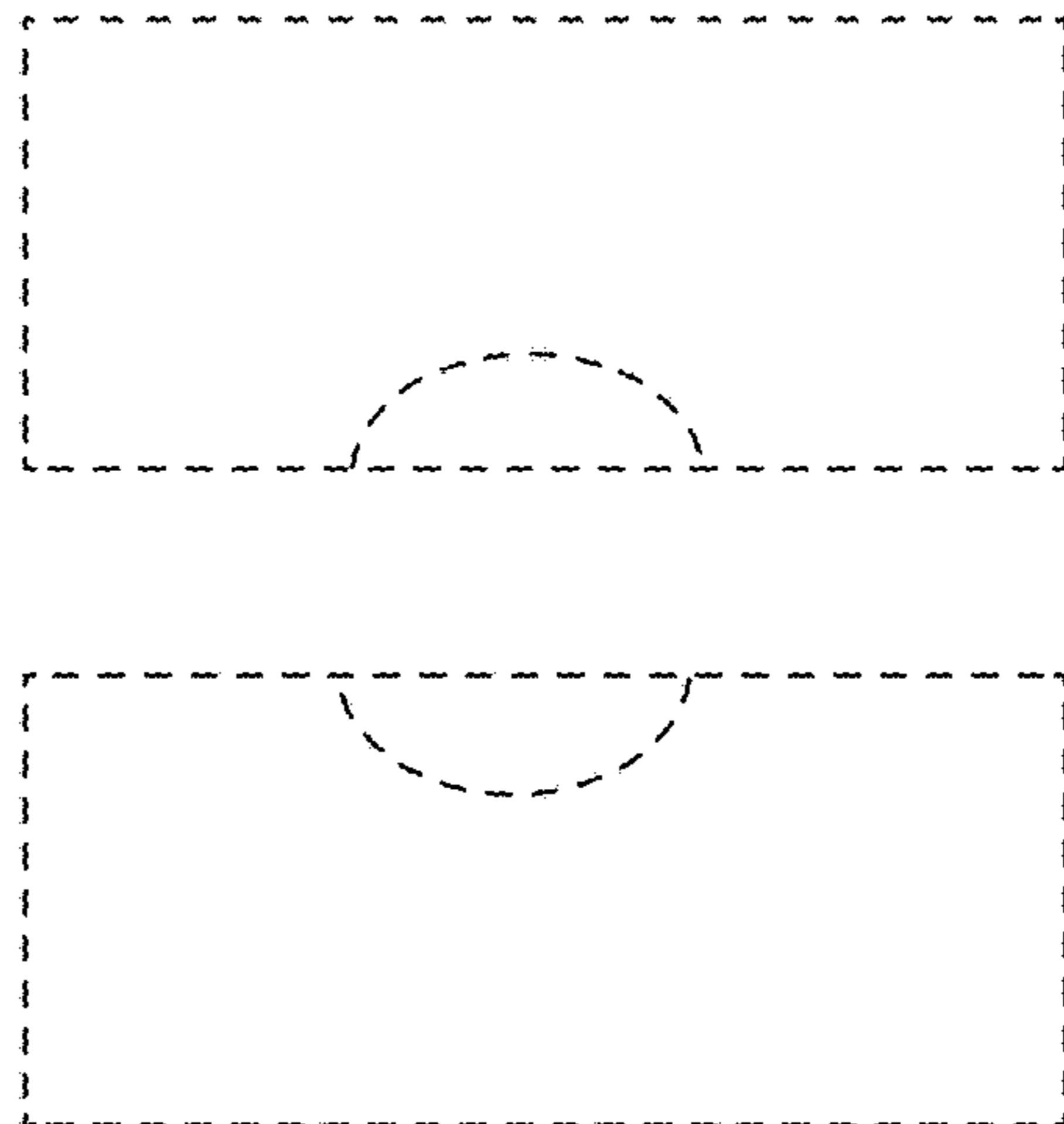


FIG. 14

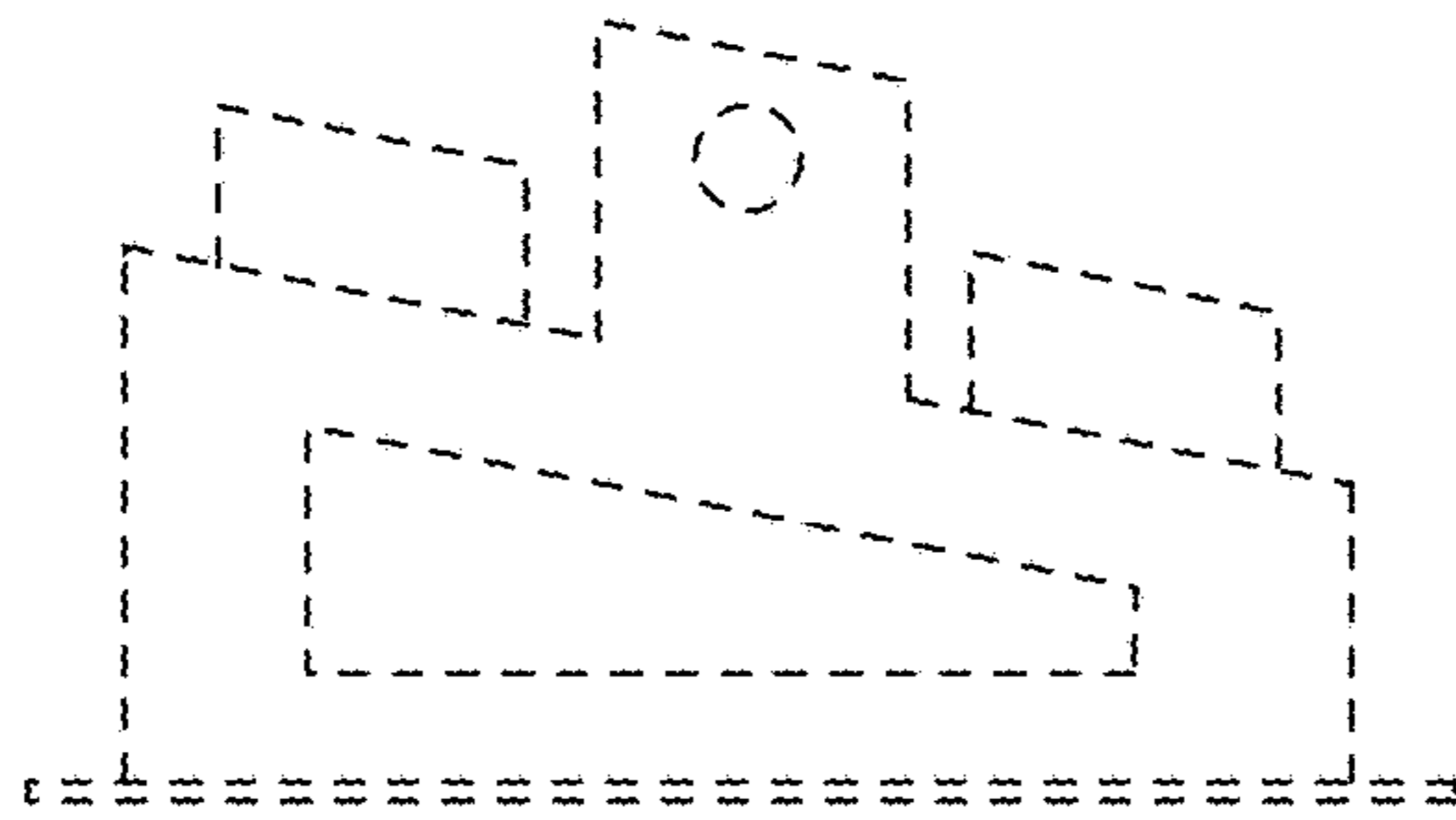


FIG. 15

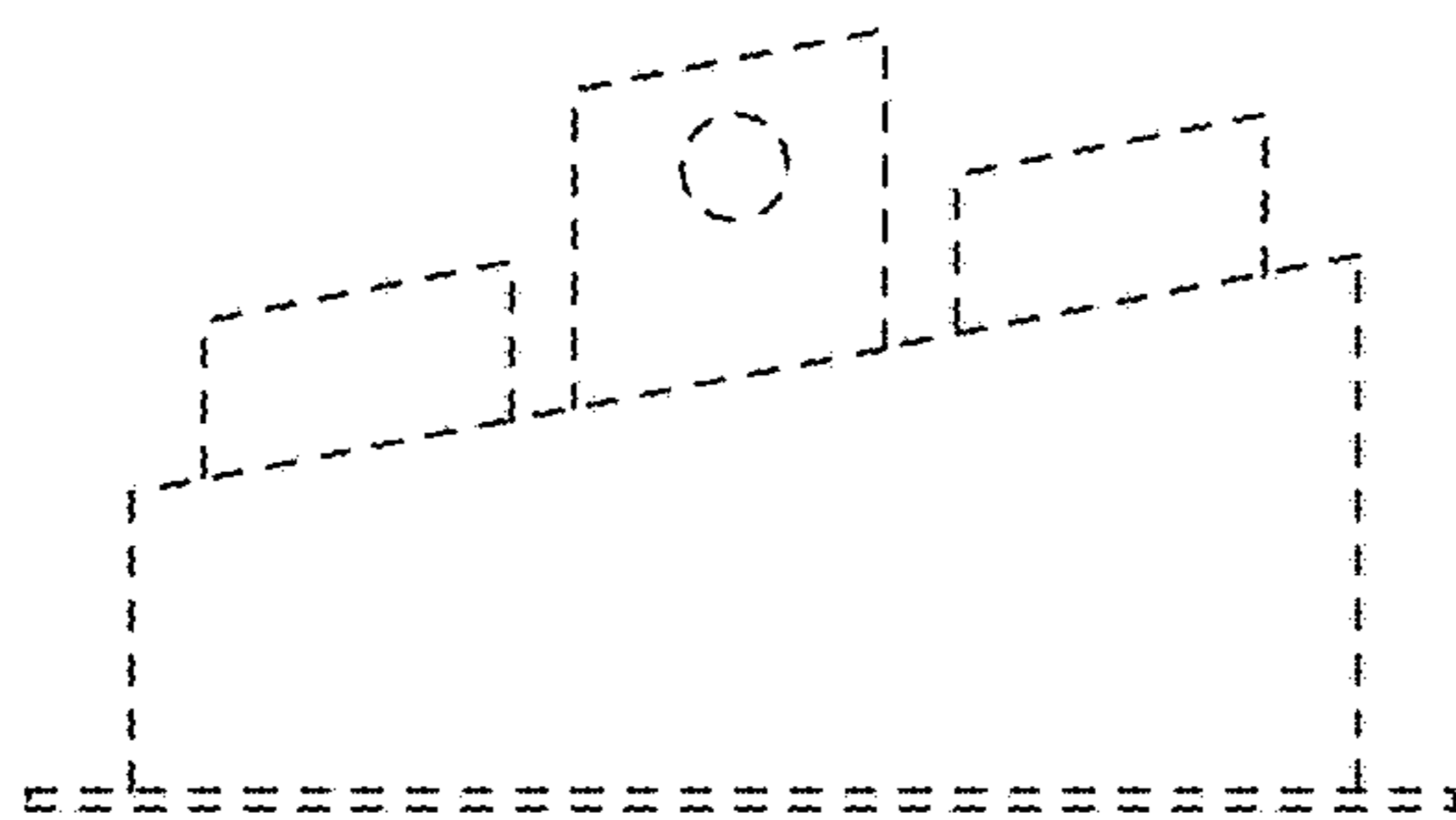


FIG. 16

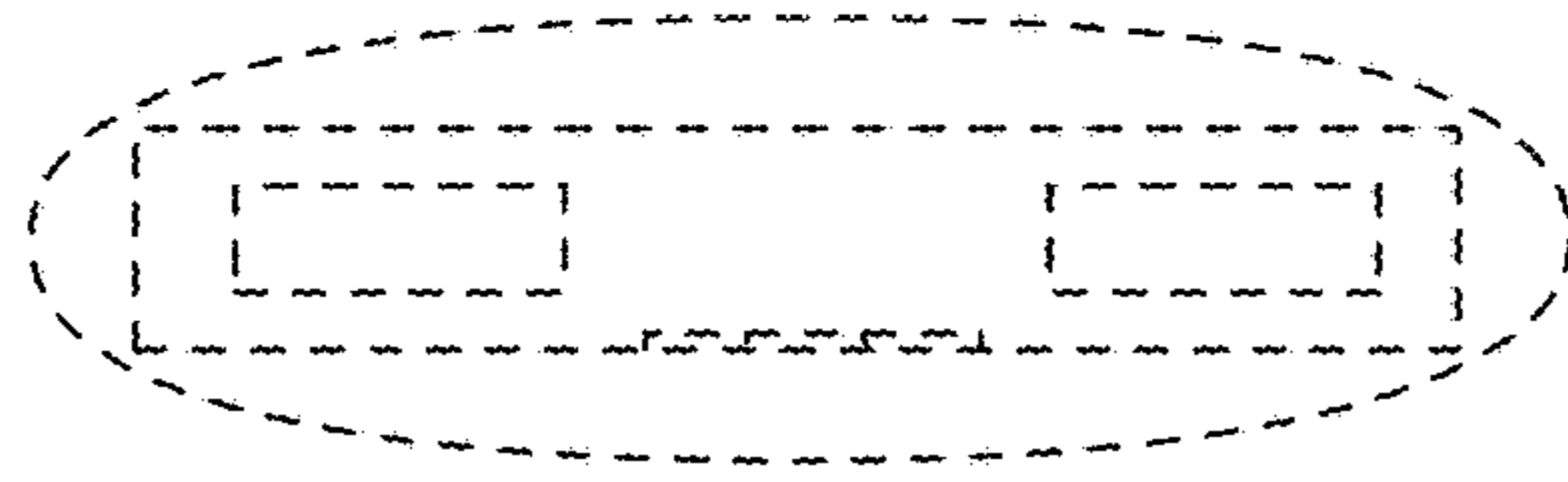


FIG. 17



FIG. 18

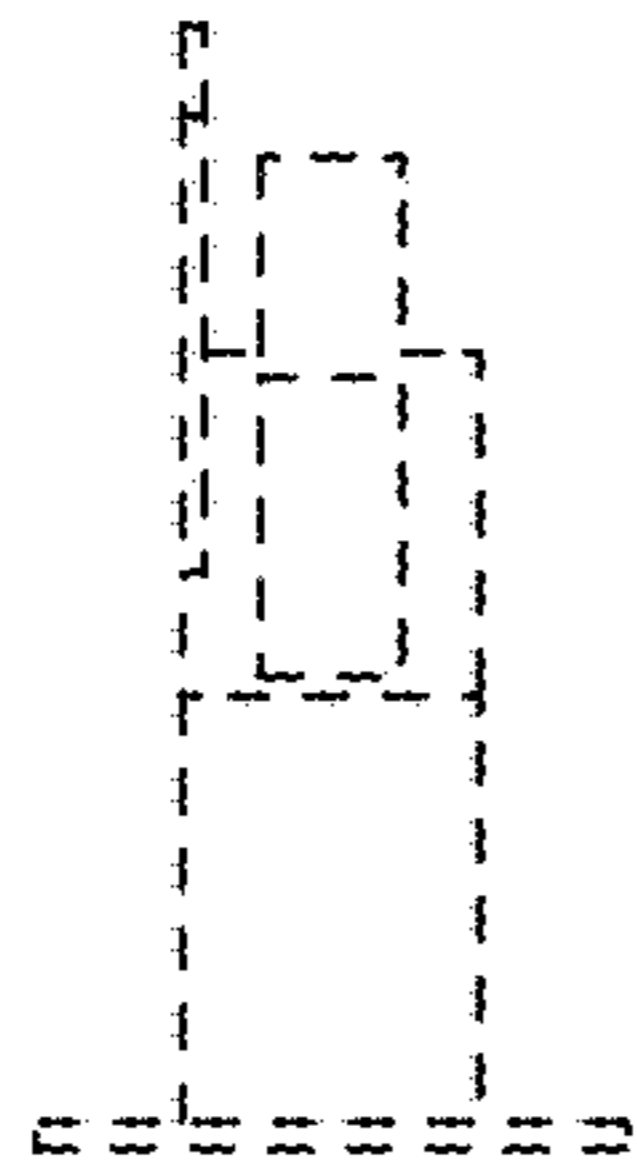


FIG. 19

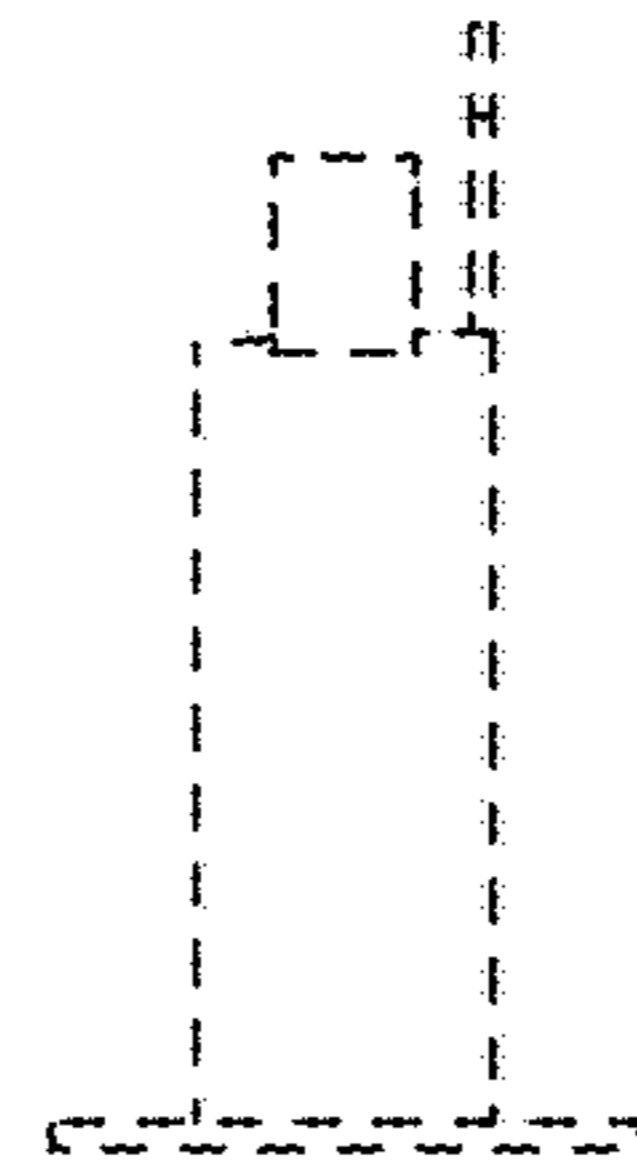


FIG. 20

