

US00D849854S

(12) **United States Design Patent**
Hardstaff

(10) **Patent No.:** **US D849,854 S**

(45) **Date of Patent:** **** May 28, 2019**

(54) **ACTIVITY TOY**
(71) Applicant: **Creative Design Ideas Limited**,
Cirencester, Gloucestershire (GB)
(72) Inventor: **Richard Keith Hardstaff**, Cirencester
(GB)
(73) Assignee: **CREATIVE DESIGN IDEAS**
LIMITED, Cirencester, Gloucestershire
(GB)
(**) Term: **15 Years**
(21) Appl. No.: **29/640,287**
(22) Filed: **Mar. 13, 2018**

D326,120 S * 5/1992 Michaelson D11/13
D357,441 S * 4/1995 Twentier D12/133
D493,579 S * 7/2004 DeAngelis D30/160
D505,524 S * 5/2005 DeAngelis D30/160
D541,352 S * 4/2007 Andersen D21/386
D548,061 S * 8/2007 Hu D8/370
D669,345 S * 10/2012 Taurins D8/367
8,414,302 B2 * 4/2013 Chang G09B 23/04
434/258
8,998,006 B2 * 4/2015 Taurins A47F 5/0006
211/119
2007/0050956 A1 * 3/2007 Hu F16B 45/02
24/598.2
2013/0165012 A1 * 6/2013 Klauber A63H 33/062
446/91
2017/0232357 A1 * 8/2017 Rosen A63H 33/046
446/92

* cited by examiner

Primary Examiner — Cynthia M. Chin

(74) *Attorney, Agent, or Firm* — King & Schickli, PLLC

(30) **Foreign Application Priority Data**
Oct. 6, 2017 (EM) 004387769-0001
(51) **LOC (11) Cl.** **21-01**
(52) **U.S. Cl.**
USPC **D21/505**; D21/468
(58) **Field of Classification Search**
USPC D21/372, 373, 386, 389, 468, 470, 471,
D21/484–505; D8/382, 370; D30/160
CPC A63H 33/04; A63H 33/06; A63H 33/08;
A63H 33/084; A63H 33/086; A63H
33/088; A63H 33/10; A63H 33/105;
A63H 33/108
See application file for complete search history.

(57) **CLAIM**

The ornamental design for an activity toy, as shown and described.

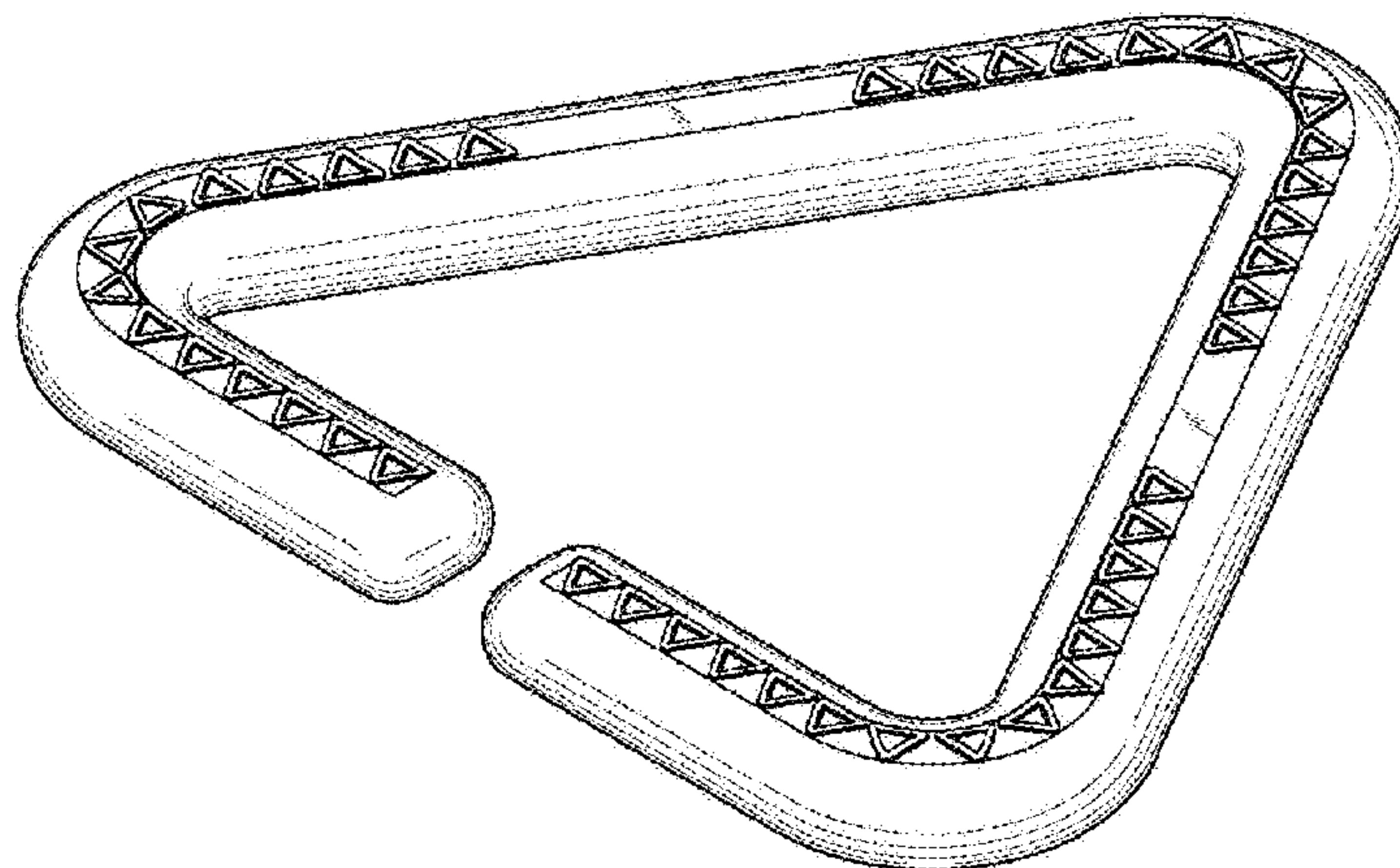
DESCRIPTION

FIG. 1 is a front perspective view of my new design;
FIG. 2 is a rear perspective view thereof;
FIG. 3 is a top view thereof;
FIG. 4 is a front view thereof;
FIG. 5 is a rear thereof; and,
FIG. 6 is right side view thereof, the left side view being a mirror image.

(56) **References Cited**
U.S. PATENT DOCUMENTS

D300,333 S * 3/1989 Thomson D21/476
D313,436 S * 1/1991 Erickson D21/489

1 Claim, 6 Drawing Sheets



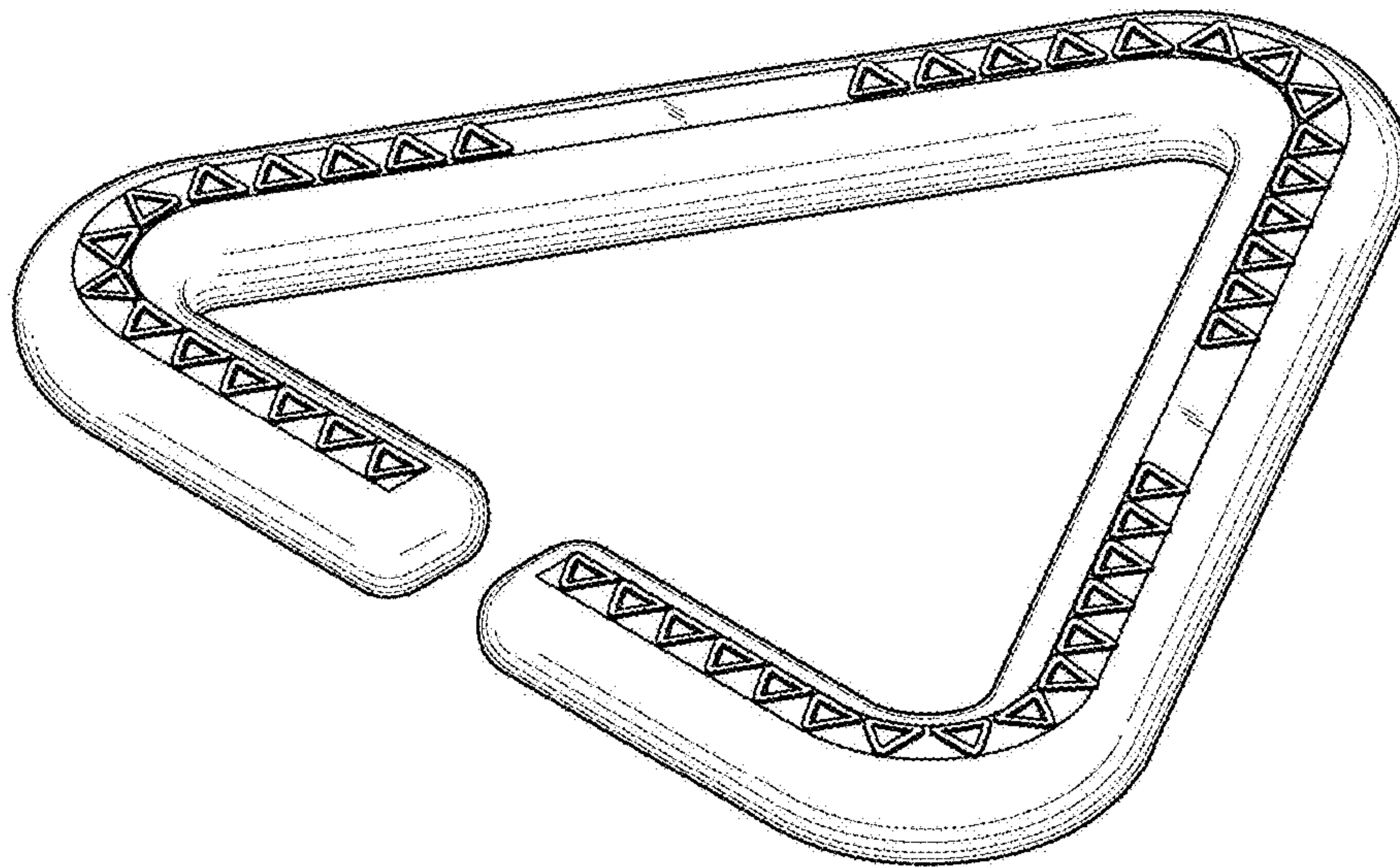


FIG. 1

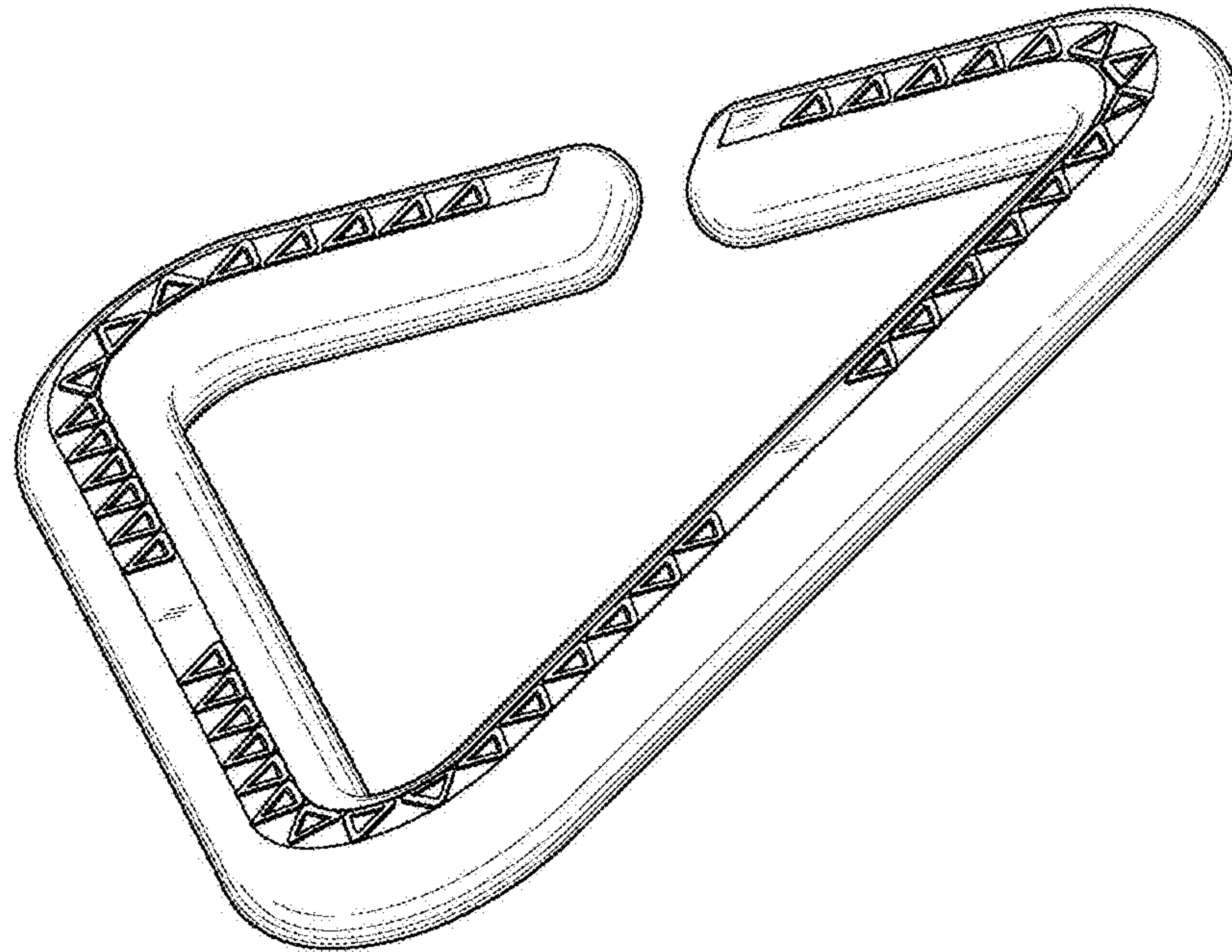


FIG. 2

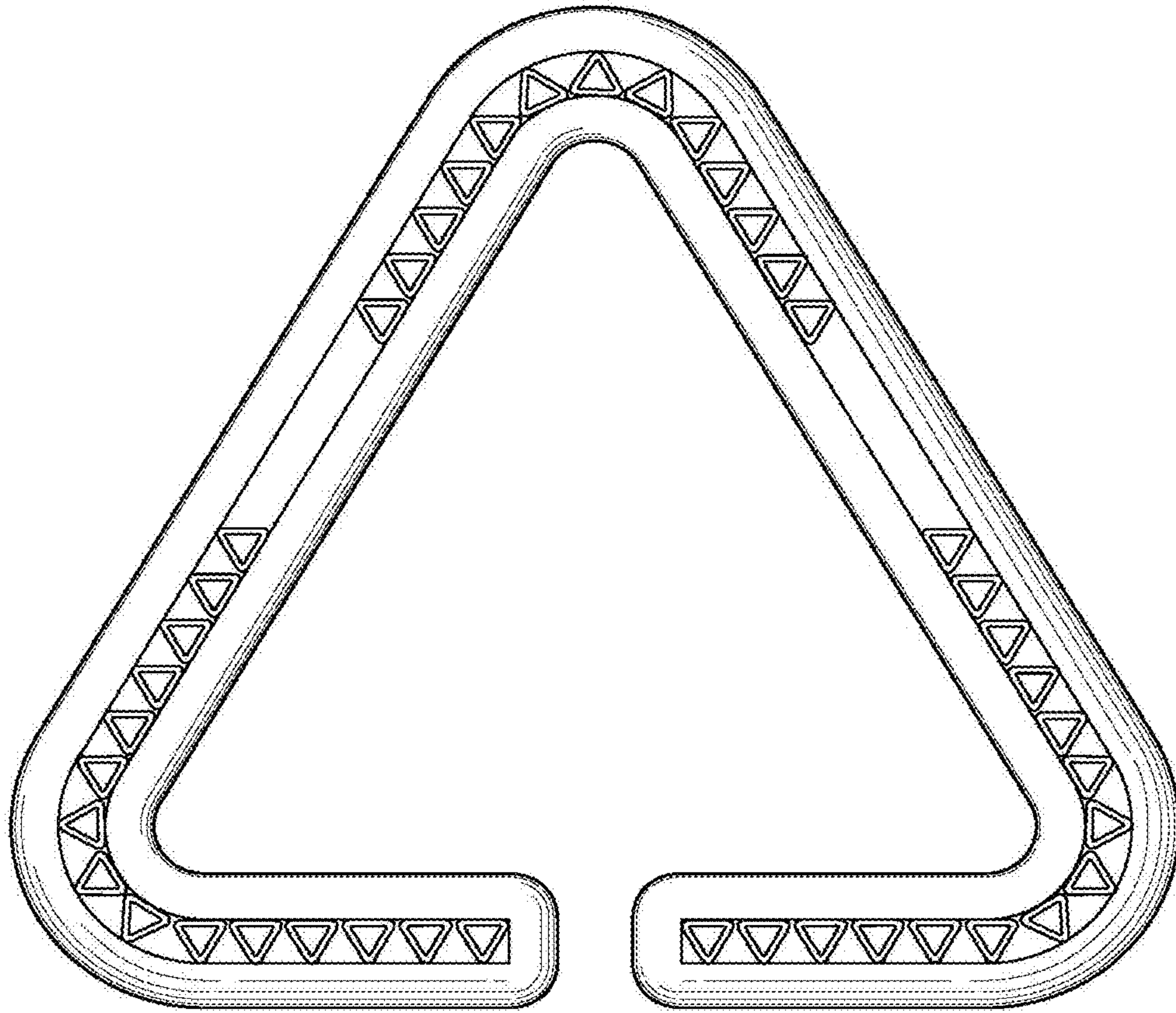


FIG. 3

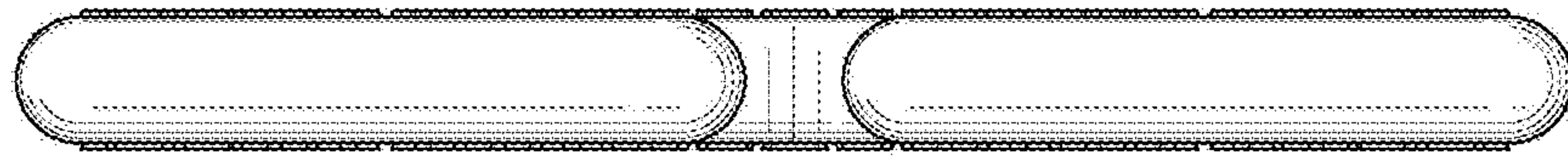


FIG. 4

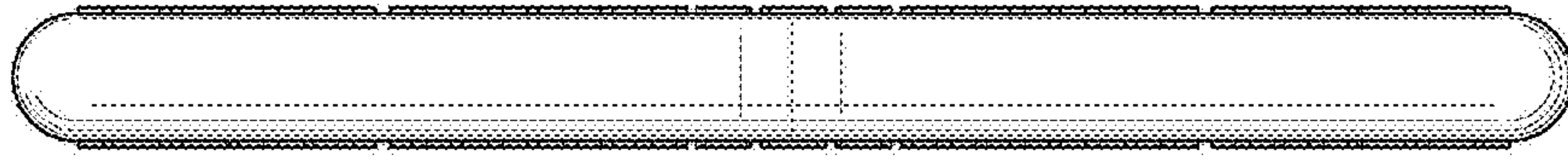


FIG. 5

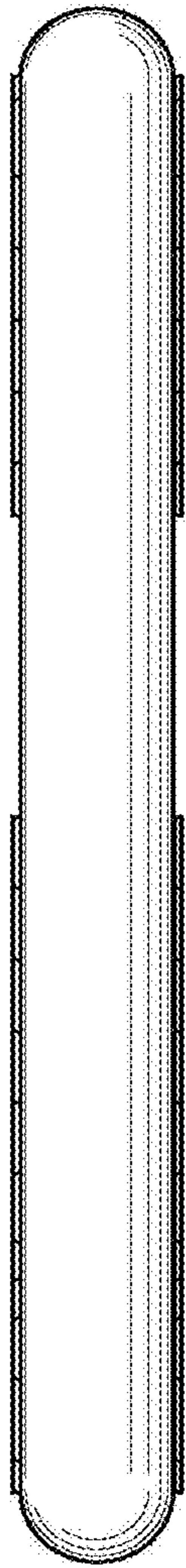


FIG. 6