



US00D849853S

(12) **United States Design Patent**
Chen et al.

(10) **Patent No.:** **US D849,853 S**
(45) **Date of Patent:** **** May 28, 2019**

- (54) **TOY BLOCK**
- (71) Applicant: **Flycatcher Corp LTD**, London (GB)
- (72) Inventors: **Shay Chen**, Hod Hasharon (IL);
Shachar Limor, Givat Shapira (IL)
- (**) Term: **15 Years**
- (21) Appl. No.: **29/636,275**
- (22) Filed: **Feb. 7, 2018**
- (51) **LOC (11) Cl.** **21-01**
- (52) **U.S. Cl.**
USPC **D21/499**
- (58) **Field of Classification Search**
USPC D21/468, 470, 471, 478, 479, 484-505
CPC A63H 33/04; A63H 33/044; A63H 33/06;
A63H 33/062; A63H 33/10; A63H
33/101; A63H 33/108
See application file for complete search history.

D714,401 S *	9/2014	Lin	D21/499
D749,680 S *	2/2016	Lin	D21/499
9,593,480 B2 *	3/2017	Vandenbempt	E04B 2/18
D818,056 S *	5/2018	Lo	D21/499
2004/0185745 A1 *	9/2004	Reining	A63H 33/042 446/91
2012/0252307 A1 *	10/2012	Lin	A63H 33/042 446/91
2013/0109268 A1 *	5/2013	Lin	A63H 33/042 446/91

* cited by examiner

Primary Examiner — Cynthia M. Chin

(74) *Attorney, Agent, or Firm* — Michael J. Feigin, Esq.;
Feigin and Fridman

(57) **CLAIM**

The ornamental design for a toy block, as shown and described.

DESCRIPTION

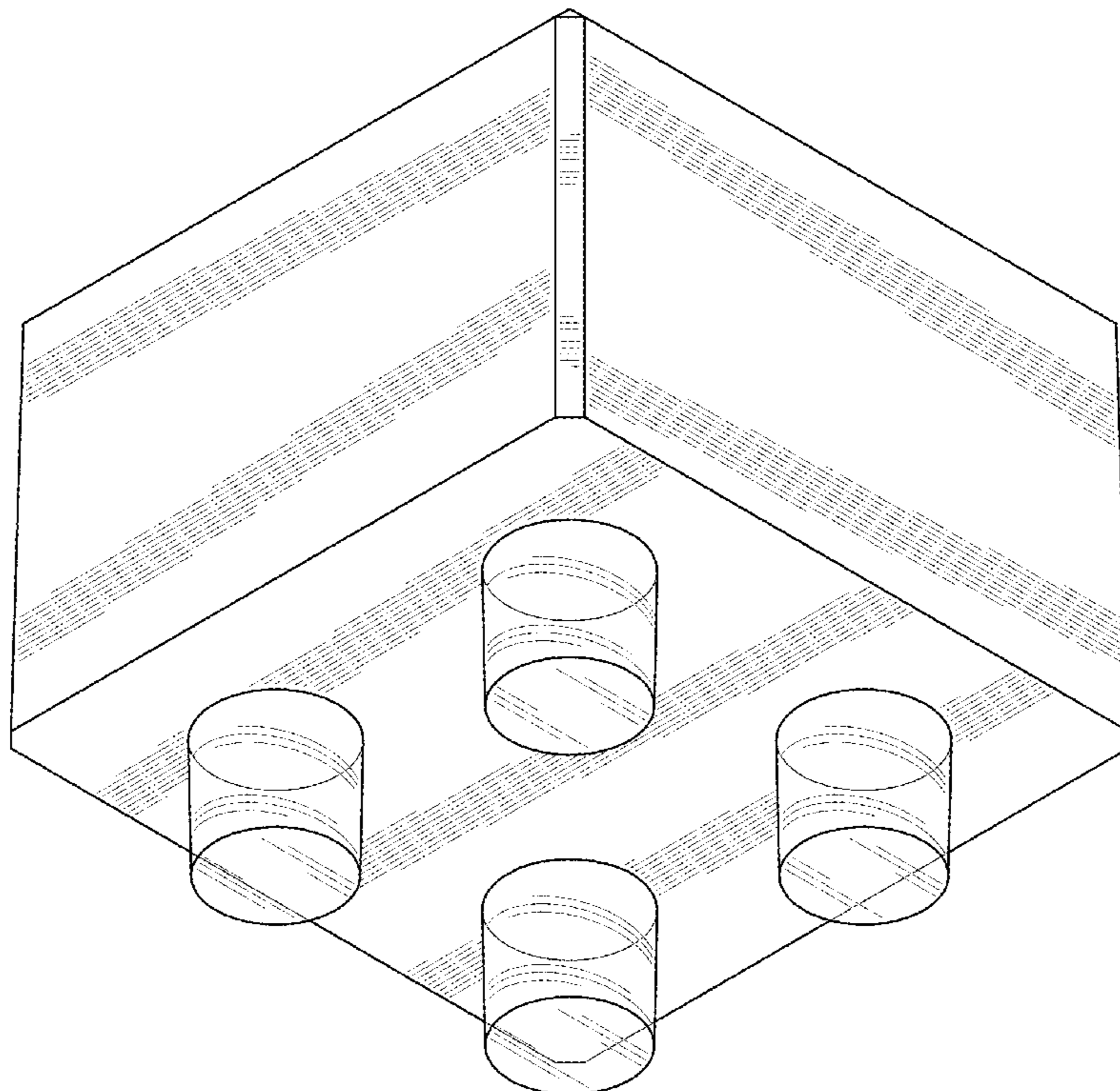
FIG. 1 shows a top and side perspective view of the toy block.
 FIG. 2 shows a bottom and side perspective thereof.
 FIG. 3 shows a top view thereof.
 FIG. 4 shows a bottom view thereof.
 FIG. 5 shows a side view thereof, the remaining side views being identical; and,
 FIG. 6 shows a cutaway view along section line 6-6 of FIG. 3.

1 Claim, 6 Drawing Sheets

(56) **References Cited**

U.S. PATENT DOCUMENTS

4,964,833 A *	10/1990	Suzuki	A63H 33/086 446/118
D368,939 S *	4/1996	Frederiksen	D21/500
8,616,899 B1 *	12/2013	Lin	H01R 12/58 439/63
8,715,030 B2 *	5/2014	Chin	A63H 33/086 273/276



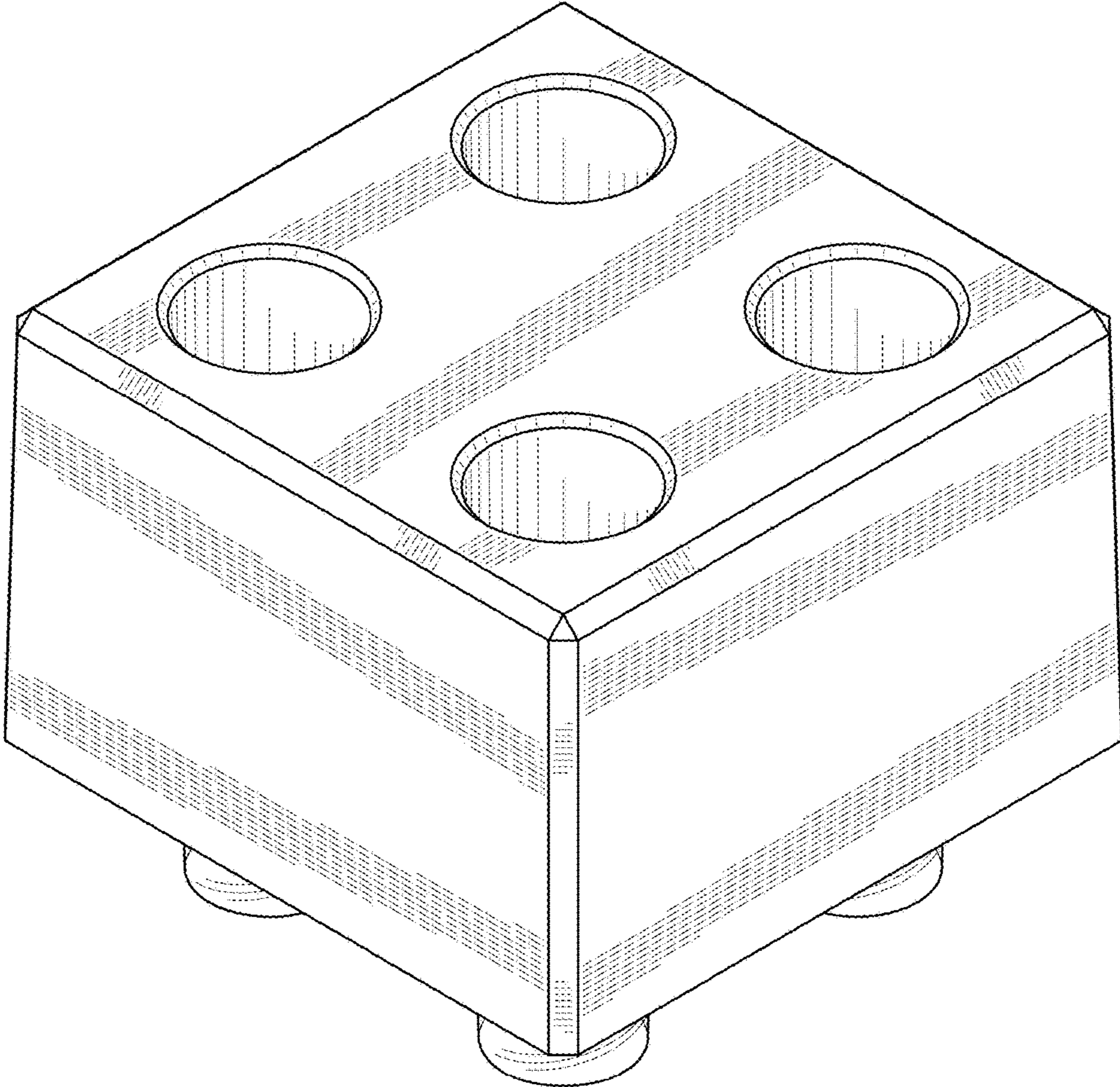


FIG. 1

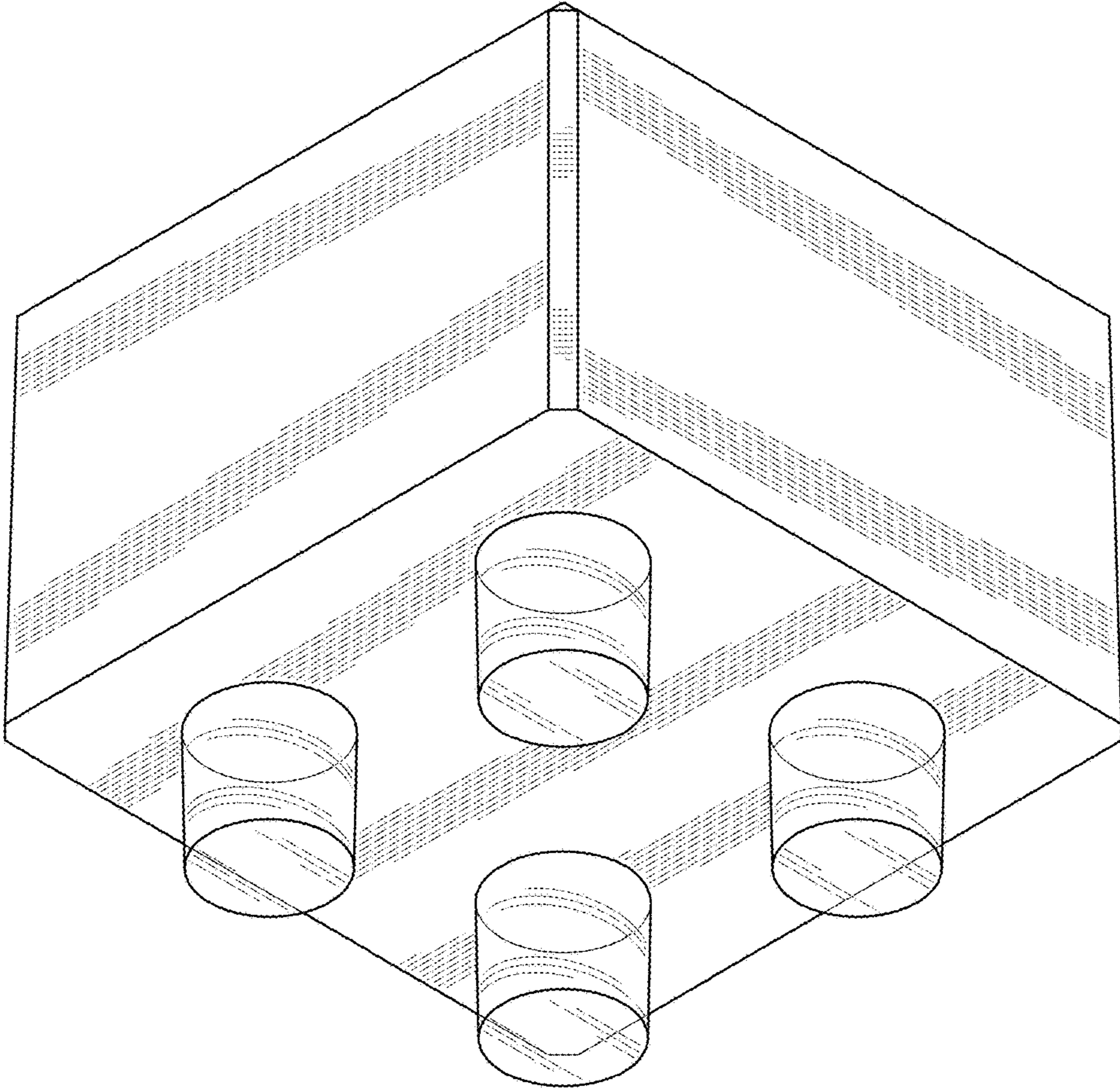


FIG. 2

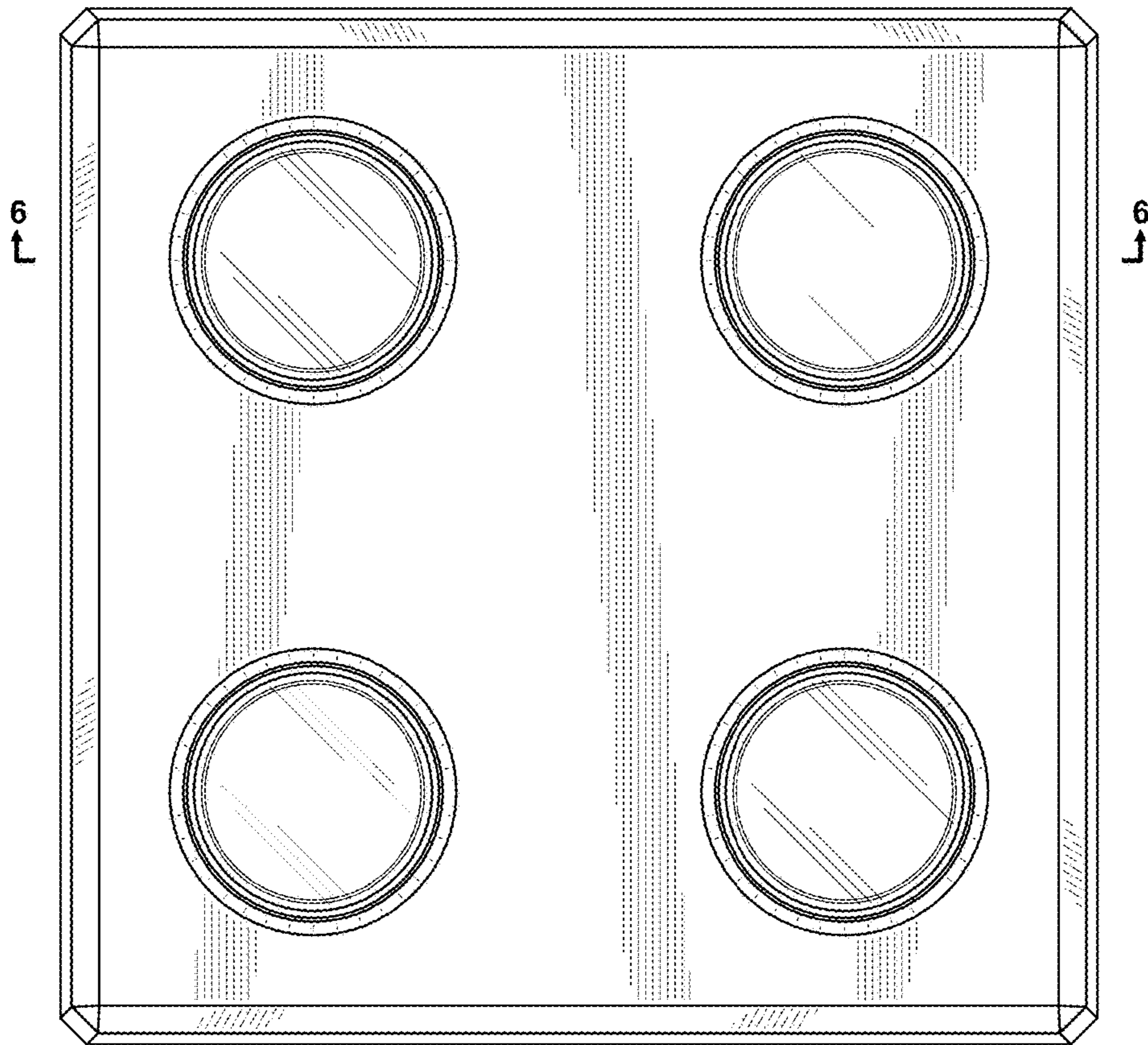


FIG. 3

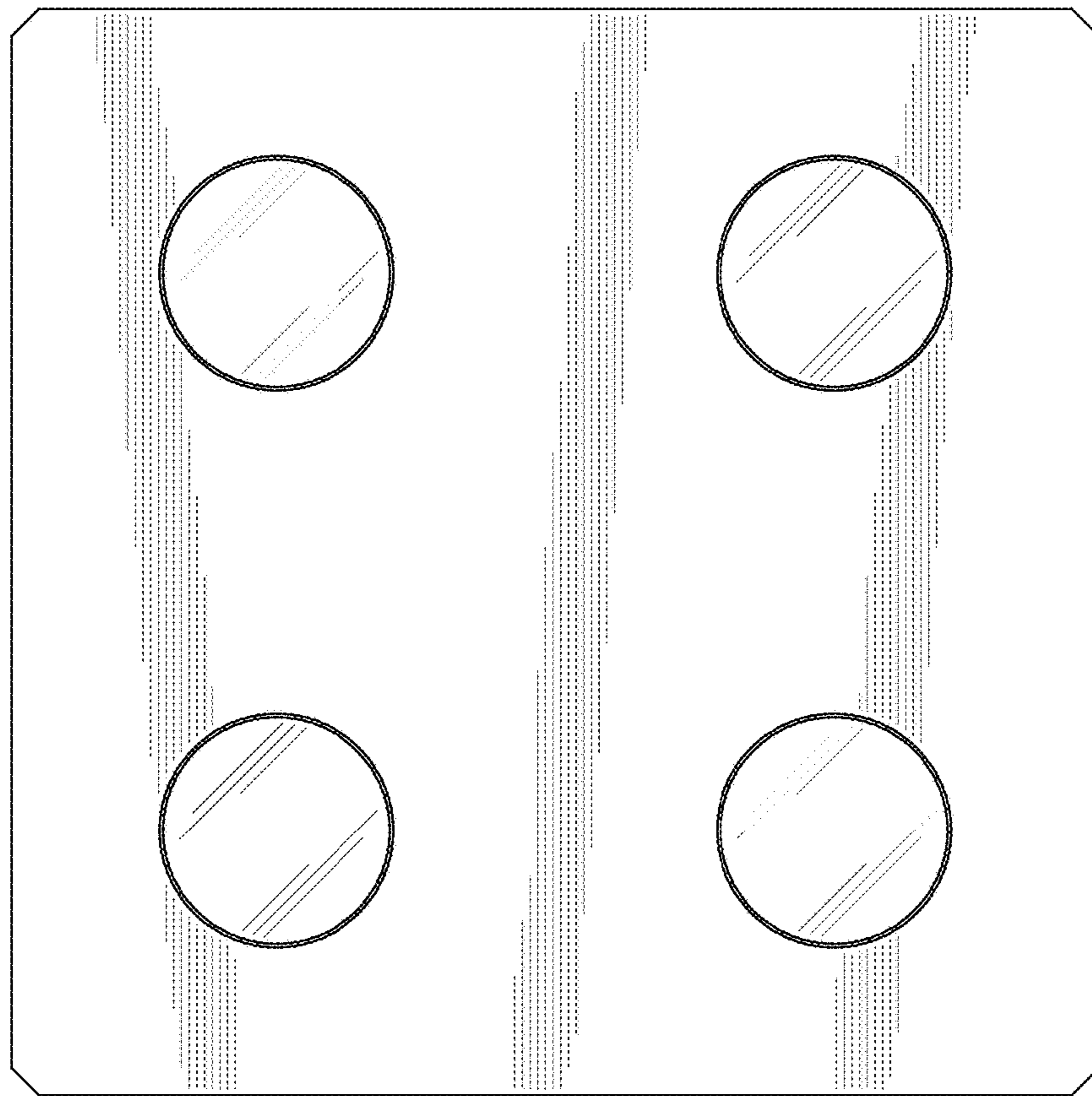


FIG. 4

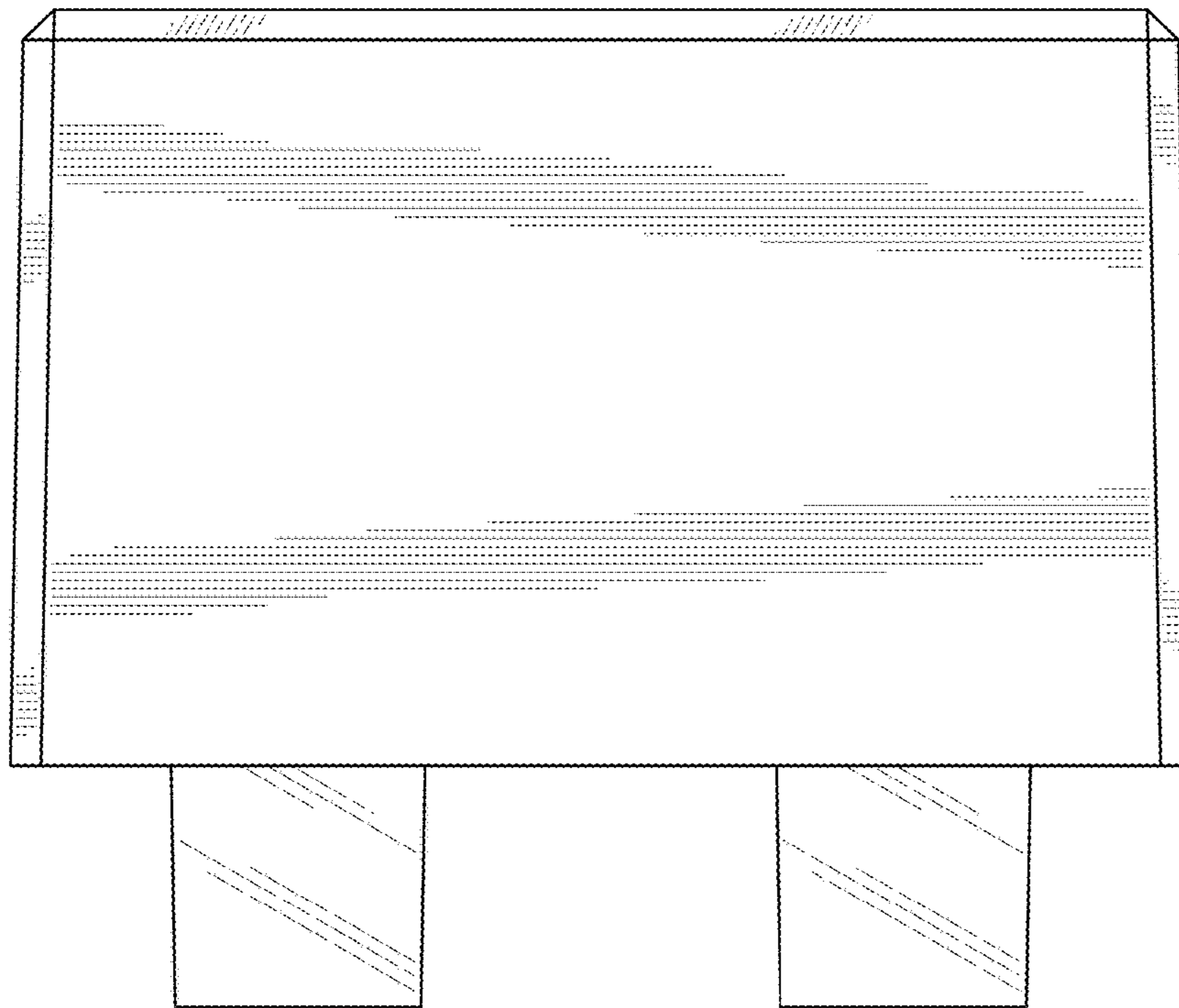


FIG. 5

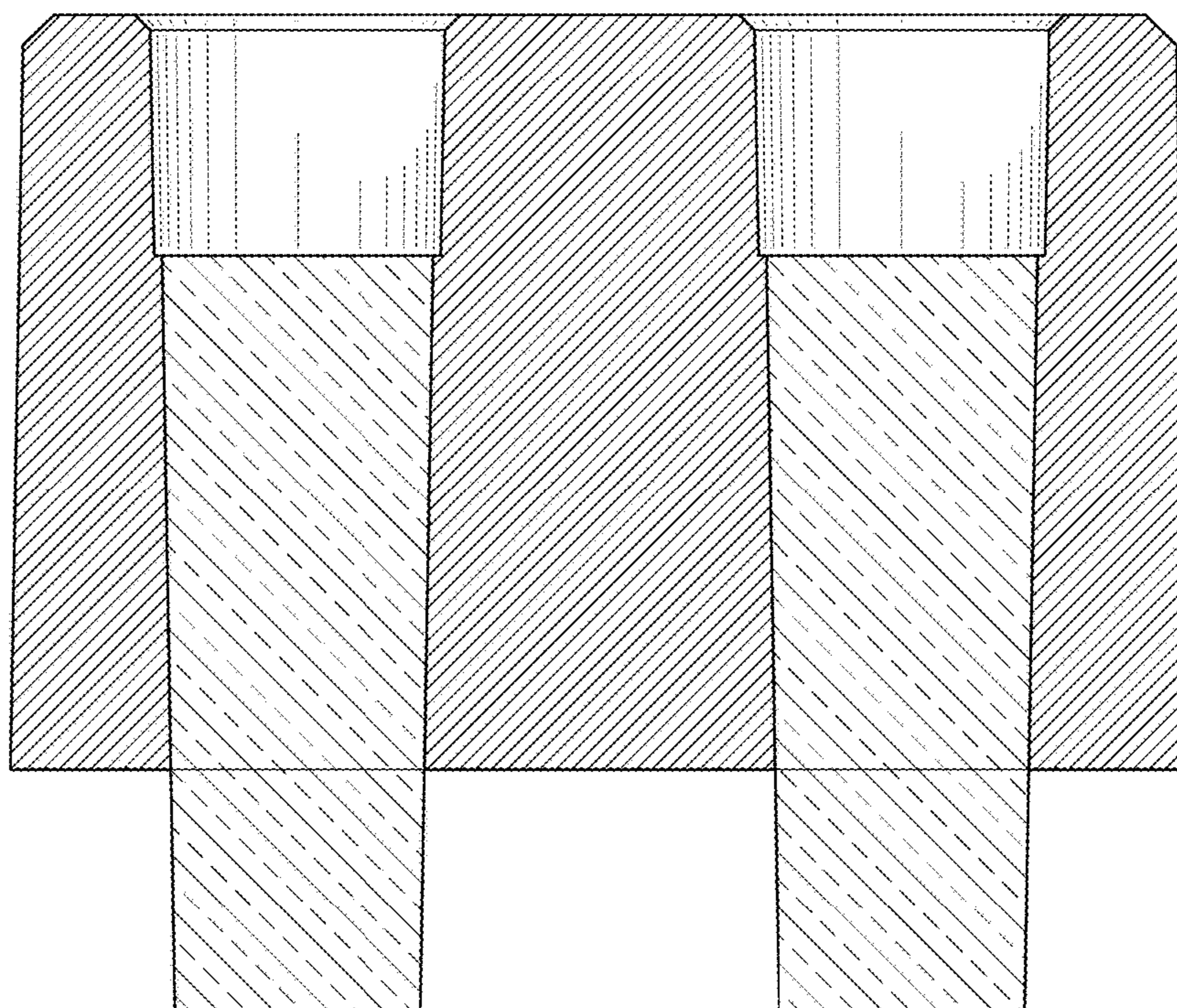


FIG. 6