



US00D849850S

(12) **United States Design Patent** (10) **Patent No.:** **US D849,850 S**
Holowka (45) **Date of Patent:** **** May 28, 2019**

- (54) **BUILDING BLOCK SET FOR TOY AND HOBBY**
- (71) Applicant: **David D. Holowka**, New York, NY (US)
- (72) Inventor: **David D. Holowka**, New York, NY (US)
- (**) Term: **15 Years**
- (21) Appl. No.: **29/620,796**
- (22) Filed: **Jun. 2, 2017**
- (51) **LOC (11) Cl.** **21-01**
- (52) **U.S. Cl.**
USPC **D21/484**
- (58) **Field of Classification Search**
USPC D21/468, 478, 479, 484-505; D19/59, D19/60, 51

(Continued)

(56) **References Cited**

U.S. PATENT DOCUMENTS

- 2,151,066 A * 3/1939 Anderson G09B 23/04 229/116
- 3,461,574 A * 8/1969 Larsen A63F 9/06 273/156

(Continued)

Primary Examiner — Cynthia M. Chin

(57) **CLAIM**

The ornamental design for a building block set for toy and hobby, as shown and described.

DESCRIPTION

FIG. 1 is a side elevational view of one of the building blocks of the set of building blocks for toy and hobby according to my new design, the opposite side, front, and rear elevational views being identical;
 FIG. 2 is a sectional view taken along line 2-2 of FIG. 1;

FIG. 3 is a top plan view of the building block of FIG. 1;
 FIG. 4 is a bottom plan view thereof;
 FIG. 5 is a perspective view from above thereof;
 FIG. 6 is a perspective view from below thereof;
 FIG. 7 is a front elevational view of a second one of the building blocks of the set of building blocks for toy and hobby according to my new design which is identical to its rear elevational view;
 FIG. 8 is a side elevational view thereof which is identical to its opposite side elevational view;
 FIG. 9 is a sectional view taken along line 9-9 of FIG. 7;
 FIG. 10 is a top plan view of the building block of FIG. 7;
 FIG. 11 is a bottom plan view thereof;
 FIG. 12 is a perspective view from above thereof;
 FIG. 13 is a perspective view from below thereof;
 FIG. 14 is a front elevational view of a third one of the building blocks of the set of building blocks for toy and hobby according to my new design which is identical to its rear elevational view;
 FIG. 15 is a side elevational view thereof which is identical to its opposite side elevational view;
 FIG. 16 is a sectional view taken along line 16-16 of FIG. 14;
 FIG. 17 is a top plan view of the building block of FIG. 14;
 FIG. 18 is a bottom plan view thereof;
 FIG. 19 is a perspective view from above thereof;
 FIG. 20 is a perspective view from below thereof;
 FIG. 21 is a front elevational view of a fourth one of the building blocks of the set of building blocks for toy and hobby according to my new design which is identical to its rear elevational view;
 FIG. 22 is a side elevational view thereof which is identical to its opposite side elevational view;
 FIG. 23 is a sectional view taken along line 23-23 of FIG. 21;
 FIG. 24 is a top plan view of the building block of FIG. 21;
 FIG. 25 is a bottom plan view thereof;
 FIG. 26 is a perspective view from above thereof;
 FIG. 27 is a perspective view from below thereof;
 FIG. 28 is a front elevational view of a fifth one of the building blocks of the set of building blocks for toy and hobby according to my new design which is identical to its rear elevational view;

(Continued)

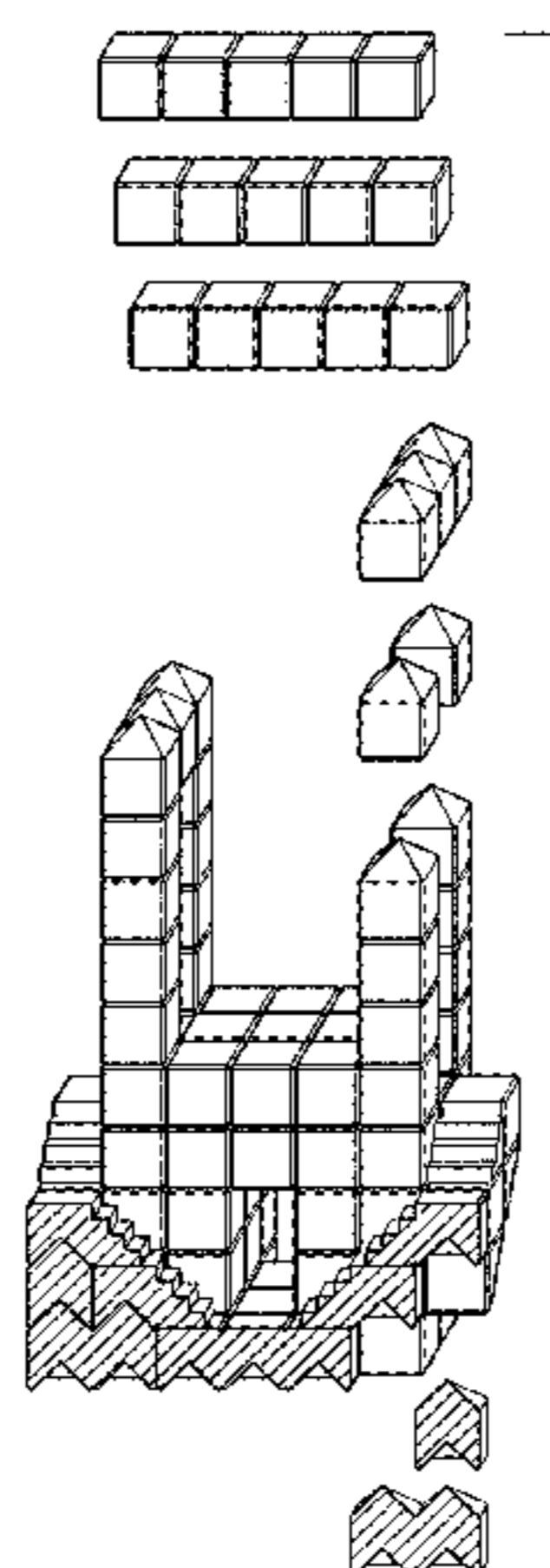


FIG. 29 is a side elevational view thereof which is identical to its opposite side elevational view;
FIG. 30 is a sectional view taken along line 30-30 of FIG. 28;
FIG. 31 is a top plan view of the building block of FIG. 28;
FIG. 32 is a bottom plan view thereof;
FIG. 33 is a perspective view from above thereof;
FIG. 34 is a perspective view from below thereof;
FIG. 35 is a side elevational view of a sixth one of the building blocks of the set of building blocks for toy and hobby according to my new design, the opposite side, front, and rear elevational views being identical;
FIG. 36 is a sectional view taken along line 36-36 of FIG. 35;
FIG. 37 is a top plan view of the building block of FIG. 35;
FIG. 38 is a bottom plan view thereof;
FIG. 39 is a perspective view from above thereof;
FIG. 40 is a perspective view from below thereof;
FIG. 41 is a front elevational view of a seventh one of the building blocks of the set of building blocks for toy and hobby according to my new design which is identical to its rear elevational view;
FIG. 42 is a side elevational view thereof which is identical to its opposite side elevational view;
FIG. 43 is a sectional view taken along line 43-43 of FIG. 41;
FIG. 44 is a top plan view of the building block of FIG. 41;
FIG. 45 is a bottom plan view thereof;
FIG. 46 is a perspective view from above thereof;
FIG. 47 is a perspective view from below thereof;
FIG. 48 is a front elevational view of an eighth one of the building blocks of the set of building blocks for toy and hobby according to my new design which is identical to its rear elevational view;
FIG. 49 is a side elevational view thereof which is identical to its opposite side elevational view;
FIG. 50 is a sectional view taken along line 50-50 of FIG. 48;
FIG. 51 is a top plan view of the building block of FIG. 48;
FIG. 52 is a bottom plan view thereof;
FIG. 53 is a perspective view from above thereof;
FIG. 54 is a perspective view from below thereof;
FIG. 55 is a front elevational view of a ninth one of the building blocks of the set of building blocks for toy and hobby according to my new design which is identical to its rear elevational view;
FIG. 56 is a side elevational view thereof which is identical to its opposite side elevational view;
FIG. 57 is a sectional view taken along line 57-57 of FIG. 55;
FIG. 58 is a top plan view of the building block of FIG. 55;
FIG. 59 is a bottom plan view thereof;
FIG. 60 is a perspective view from above thereof;
FIG. 61 is a perspective view from below thereof;
FIG. 62 is a front elevational view of a tenth one of the building blocks of the set of building blocks for toy and hobby according to my new design which is identical to its rear elevational view;
FIG. 63 is a side elevational view thereof which is identical to its opposite side elevational view;
FIG. 64 is a sectional view taken along line 64-64 of FIG. 62;
FIG. 65 is a top plan view of the building block of FIG. 62;
FIG. 66 is a bottom plan view thereof;
FIG. 67 is a perspective view from above thereof;

FIG. 68 is a perspective view from below thereof;
FIG. 69 is a side elevational view of an eleventh one of the building blocks of the set of building blocks for toy and hobby according to my new design, the opposite side, front, and rear elevational views being identical;
FIG. 70 is a sectional view taken along line 70-70 of FIG. 69;
FIG. 71 is a top plan view of the building block of FIG. 69;
FIG. 72 is a bottom plan view thereof;
FIG. 73 is a perspective view from above thereof;
FIG. 74 is a perspective view from below thereof;
FIG. 75 is a front elevational view of a twelfth one of the building blocks of the set of building blocks for toy and hobby according to my new design which is identical to its rear elevational view;
FIG. 76 is a side elevational view thereof which is identical to its opposite side elevational view;
FIG. 77 is a sectional view taken along line 77-77 of FIG. 75;
FIG. 78 is a top plan view of the building block of FIG. 75;
FIG. 79 is a bottom plan view thereof;
FIG. 80 is a perspective view from above thereof;
FIG. 81 is a perspective view from below thereof;
FIG. 82 is a side elevational view of a thirteenth one of the building blocks of the set of building blocks for toy and hobby according to my new design, the opposite side, front, and rear elevational views being identical;
FIG. 83 is a sectional view taken along line 83-83 of FIG. 82;
FIG. 84 is a top plan view of the building block of FIG. 82;
FIG. 85 is a bottom plan view thereof;
FIG. 86 is a perspective view from above thereof;
FIG. 87 is a perspective view from below thereof;
FIG. 88 is a side elevational view of a fourteenth one of the building blocks of the set of building blocks for toy and hobby according to my new design, the opposite side, front, and rear elevational views being identical;
FIG. 89 is a sectional view taken along line 89-89 of FIG. 88;
FIG. 90 is a top plan view of the building block of FIG. 88;
FIG. 91 is a bottom plan view thereof;
FIG. 92 is a perspective view from above thereof;
FIG. 93 is a perspective view from below thereof;
FIG. 94 is a side elevational view of a fifteenth one of the building blocks of the set of building blocks for toy and hobby according to my new design, the opposite side, front, and rear elevational views being identical;
FIG. 95 is a sectional view taken along line 95-95 of FIG. 94;
FIG. 96 is a top plan view of the building block of FIG. 94;
FIG. 97 is a bottom plan view thereof;
FIG. 98 is a perspective view from above thereof;
FIG. 99 is a perspective view from below thereof;
FIG. 100 is a front elevational view of a sixteenth one of the building blocks of the set of building blocks for toy and hobby according to my new design;
FIG. 101 is a sectional view taken along line 101-101 of FIG. 100;
FIG. 102 is a rear elevational view of the building block of FIG. 100;
FIG. 103 is a left side elevational view thereof;
FIG. 104 is a right side elevational view thereof;
FIG. 105 is a top plan view thereof;
FIG. 106 is a bottom plan view thereof;

FIG. 107 is a perspective view from above thereof;
 FIG. 108 is a perspective view from below thereof;
 FIG. 109 is a front elevational view of a seventeenth one of the building blocks of the set of building blocks for toy and hobby according to my new design;
 FIG. 110 is a sectional view taken along line 110-110 of FIG. 109;
 FIG. 111 is a rear elevational view of the building block of FIG. 109;
 FIG. 112 is a left side elevational view thereof;
 FIG. 113 is a right side elevational view thereof;
 FIG. 114 is a top plan view thereof;
 FIG. 115 is a bottom plan view thereof;
 FIG. 116 is a perspective view from above thereof;
 FIG. 117 is a perspective view from below thereof;
 FIG. 118 is a front elevational view of an eighteenth one of the building blocks of the set of building blocks for toy and hobby according to my new design;
 FIG. 119 is a sectional view taken along line 119-119 of FIG. 118;
 FIG. 120 is a left side elevational view of the building block of FIG. 118;
 FIG. 121 is a right side elevational view thereof;
 FIG. 122 is a rear elevational view thereof;
 FIG. 123 is a top plan view thereof;
 FIG. 124 is a bottom plan view thereof;
 FIG. 125 is a perspective view from above thereof;
 FIG. 126 is a perspective view from below thereof;
 FIG. 127 is a front elevational view of a nineteenth one of the building blocks of the set of building blocks for toy and hobby according to my new design;
 FIG. 128 is a sectional view taken along line 128-128 of FIG. 127;
 FIG. 129 is a left side elevational view of the building block of FIG. 127;
 FIG. 130 is a right side elevational view thereof;
 FIG. 131 is a rear elevational view thereof;
 FIG. 132 is a top plan view thereof;
 FIG. 133 is a bottom plan view thereof;
 FIG. 134 is a perspective view from above thereof;
 FIG. 135 is a perspective view from below thereof;
 FIG. 136 is a reduced front and right side perspective view from above of an exemplary configuration of a selection of building blocks of the set of building blocks for toy and hobby according to my new design built with blocks shown in FIG. 1 through 135.
 FIG. 137 is a sectional view taken in the direction of line 137-137 of FIG. 136;
 FIG. 138 is a partially exploded view thereof, in which are isolated, top-to-bottom, three of the block of FIG. 62, one of the block of FIG. 14, two of the block of FIG. 1, one of the block of FIG. 1 viewed sectionally, and one of the block of FIG. 7 viewed sectionally;
 FIG. 139 is an enlarged partial perspective view of a portion of the upper right corner of FIG. 136, the broken lines

enclosing portions of the claimed design that are illustrated in enlargements and form no part of the claimed design;
 FIG. 140 is a rear and left side perspective view from below of FIG. 136;
 FIG. 141 is a sectional view taken in the direction of line 141-141 in FIG. 140;
 FIG. 142 is a right side and front perspective view from above of FIG. 136;
 FIG. 143 is a right side and rear perspective view from above of FIG. 136;
 FIG. 144 is a rear and left side perspective view from above of FIG. 136; and,
 FIG. 145 is a perspective view from below of FIG. 136.
 FIGS. 1-135 are shown separately for ease and clarity of illustration.

1 Claim, 12 Drawing Sheets

(58) **Field of Classification Search**

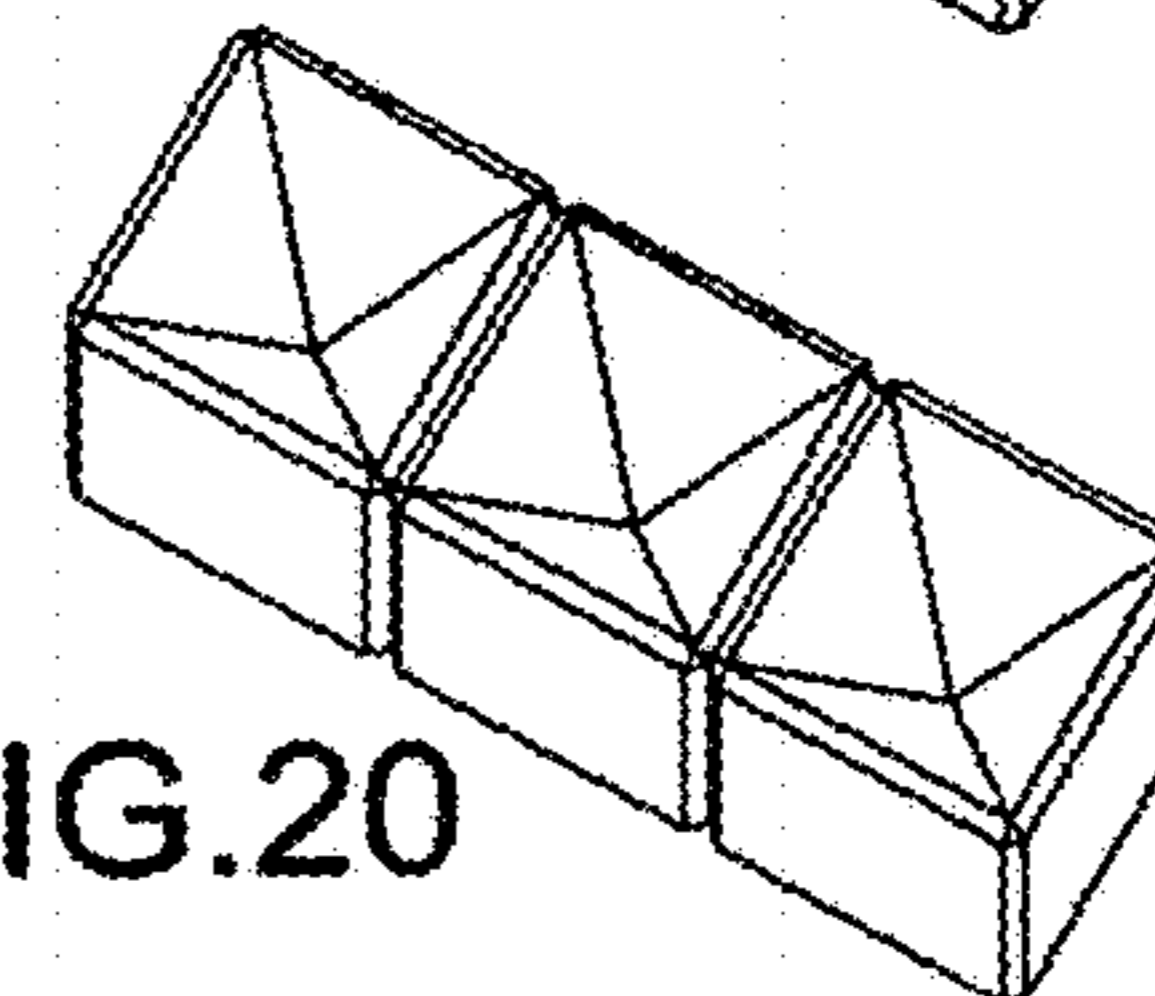
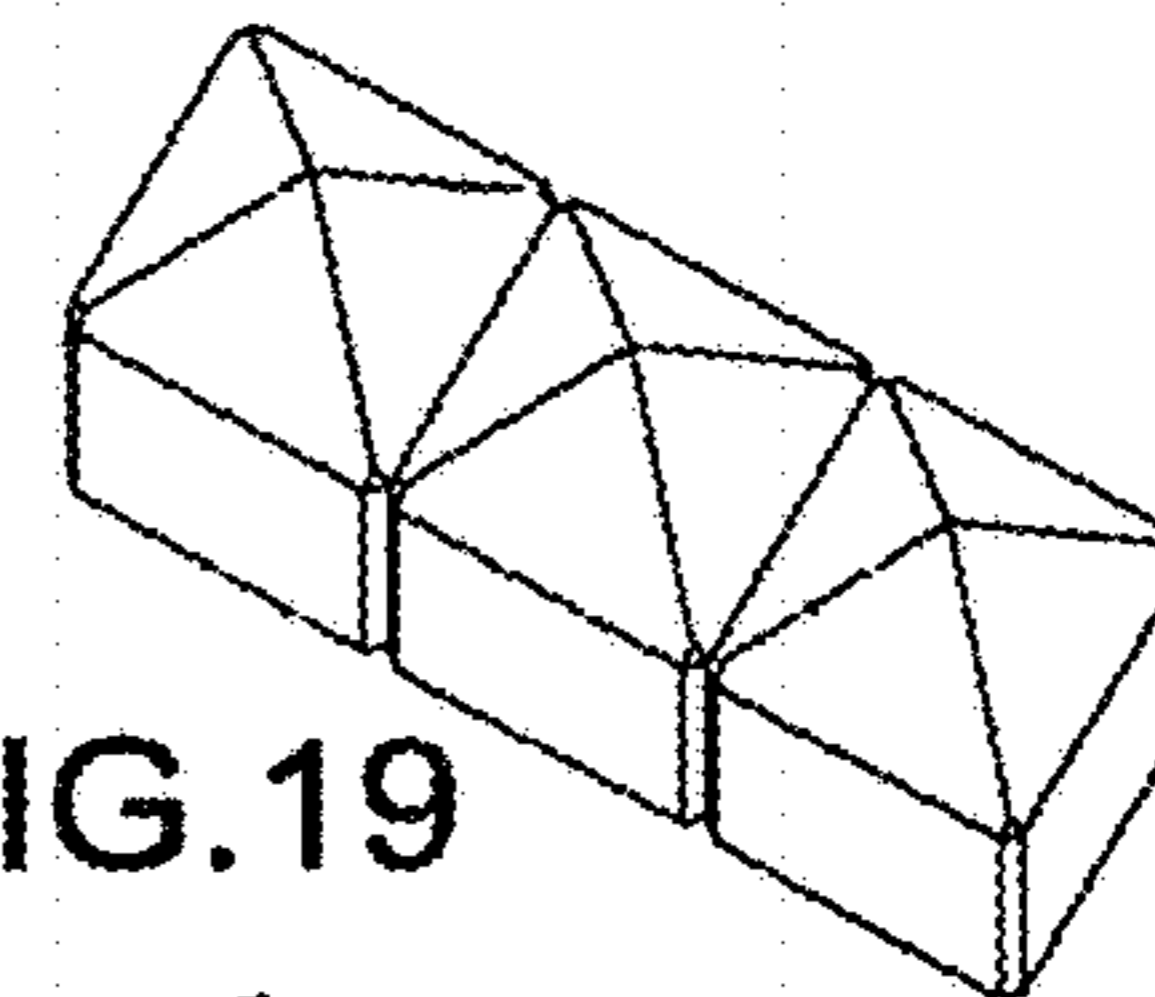
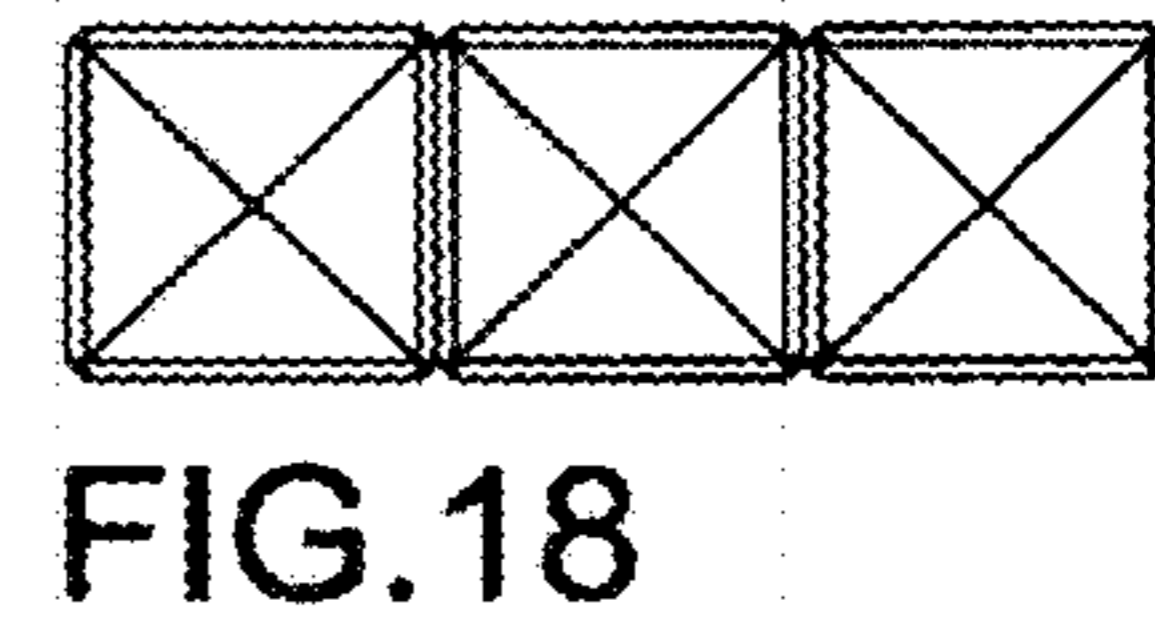
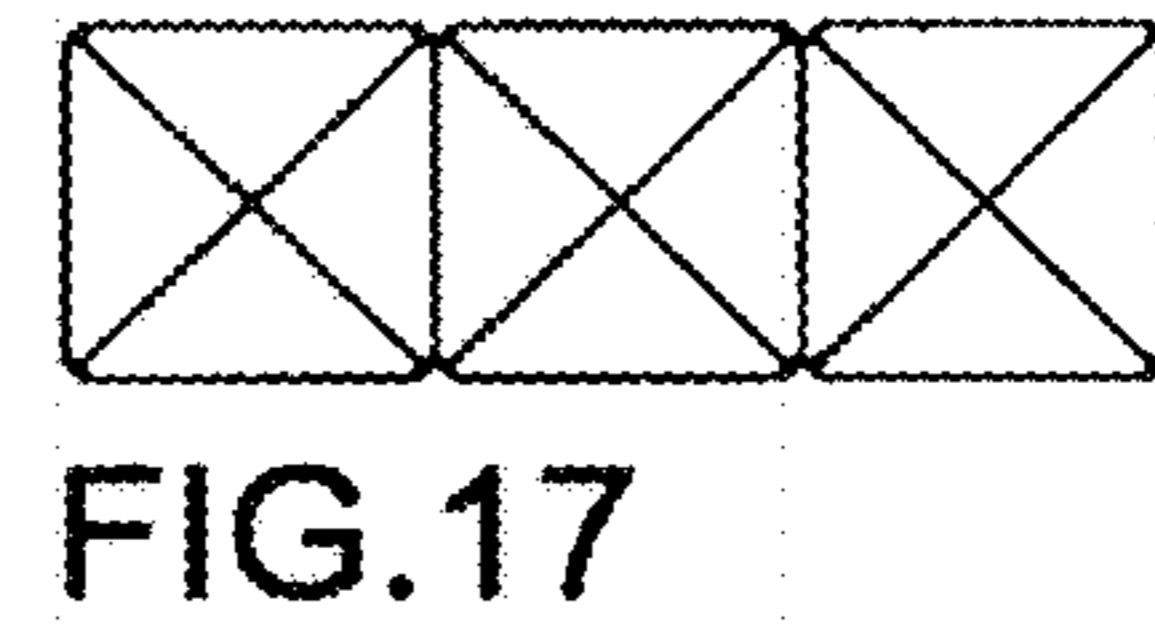
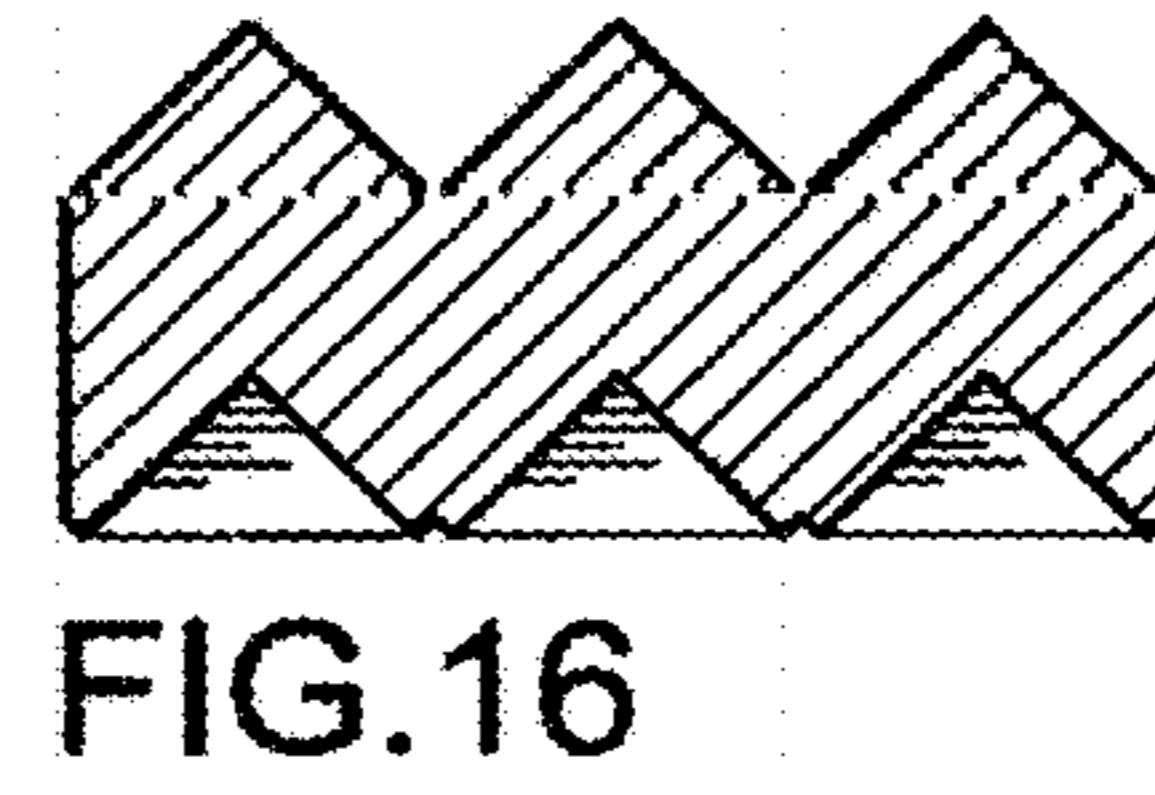
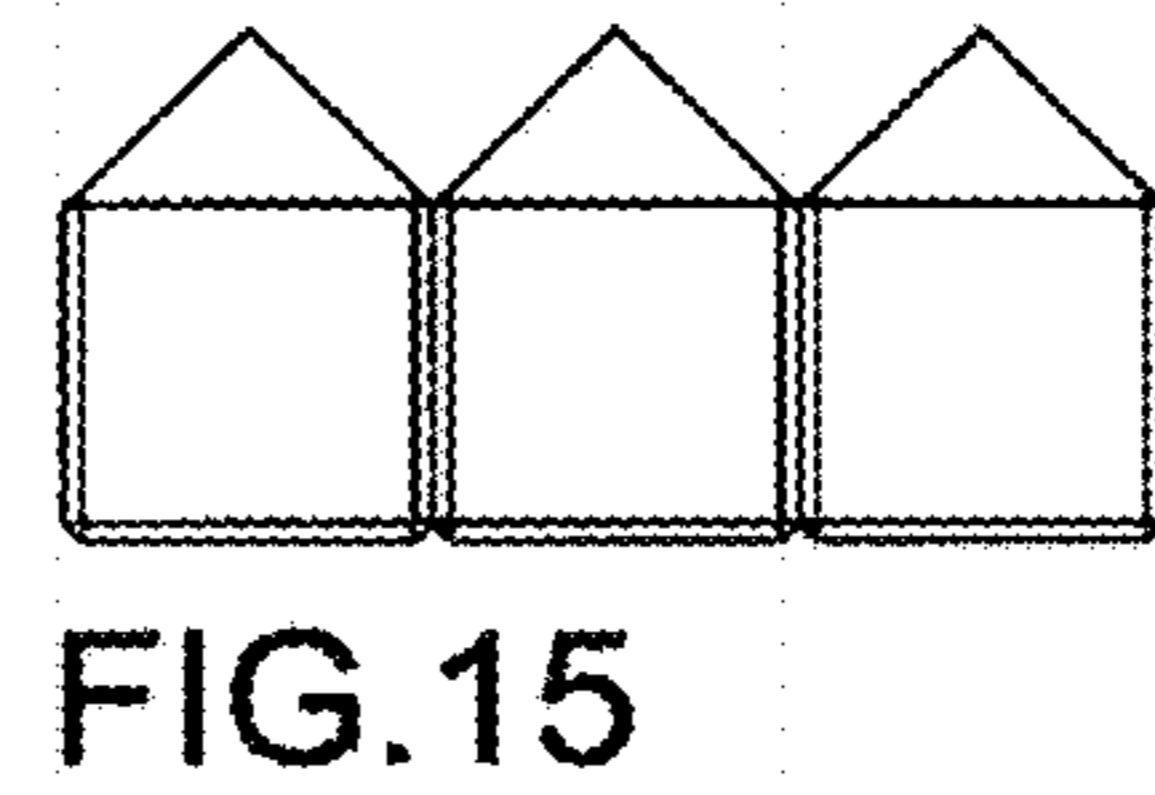
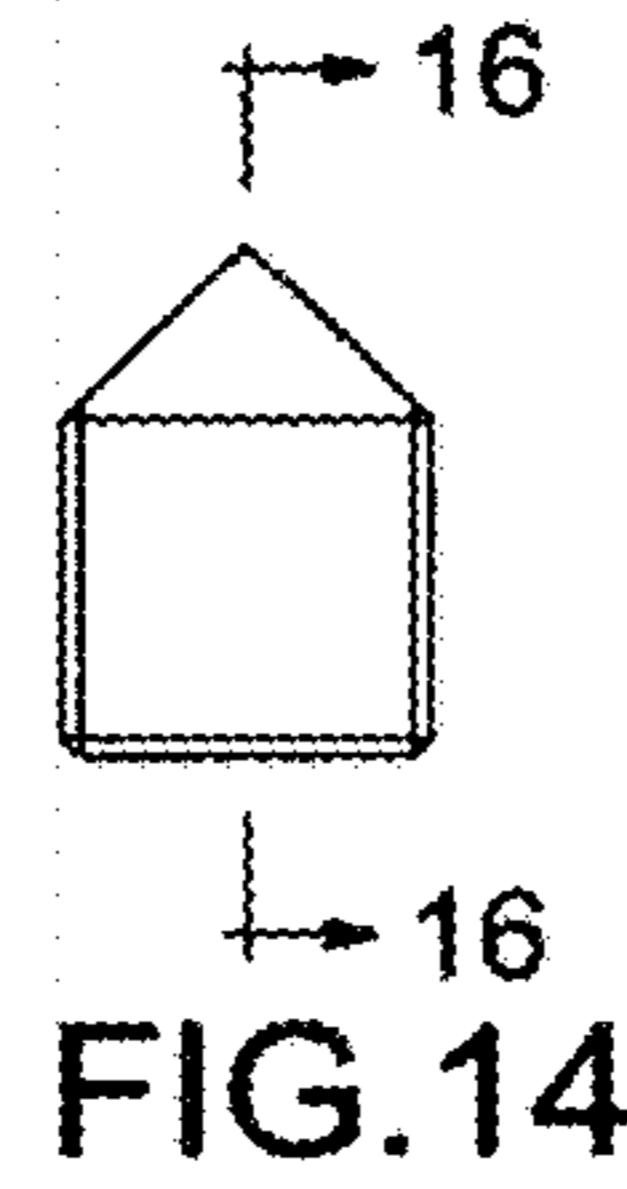
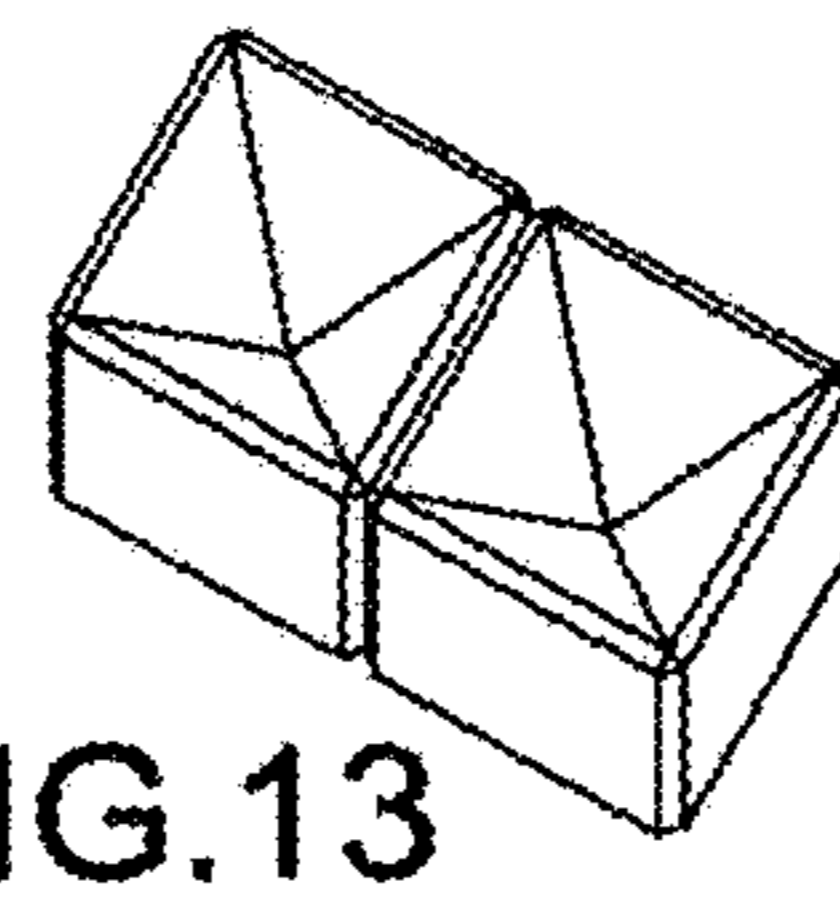
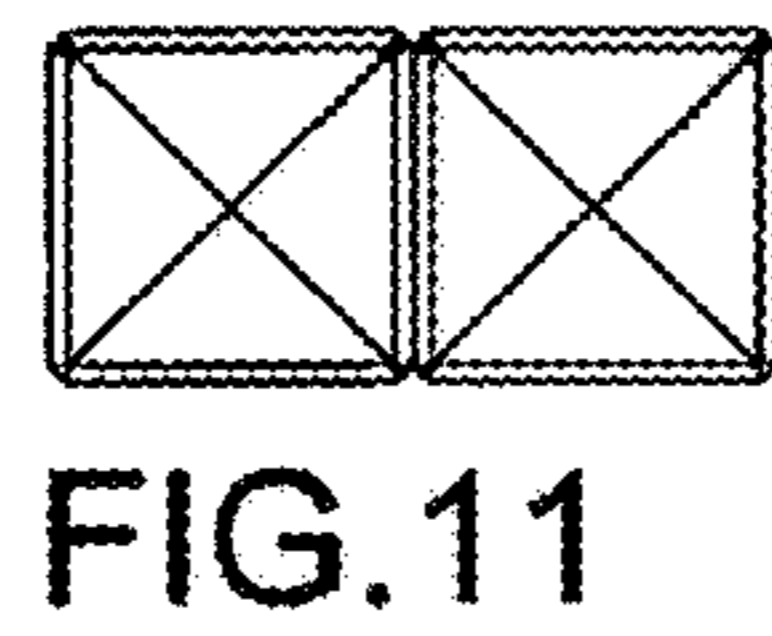
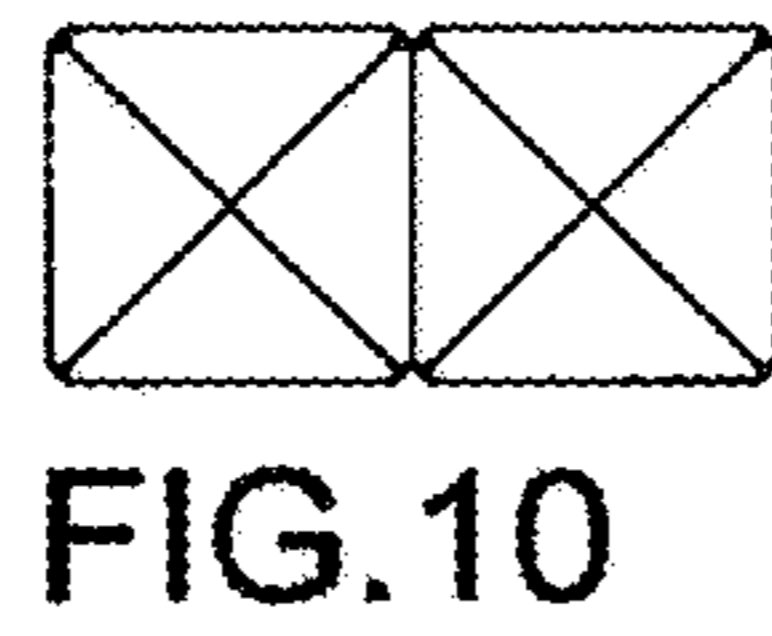
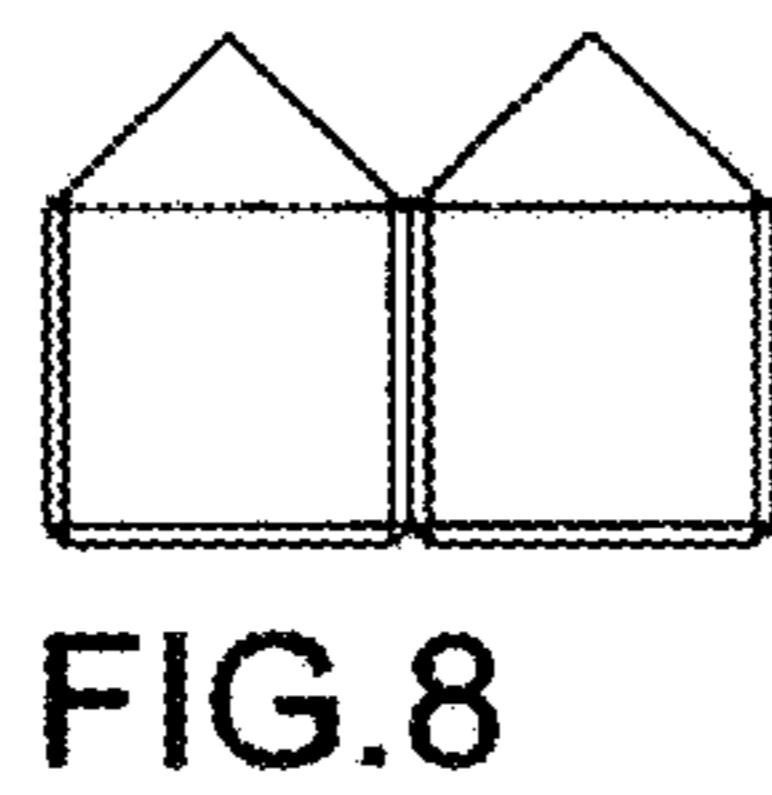
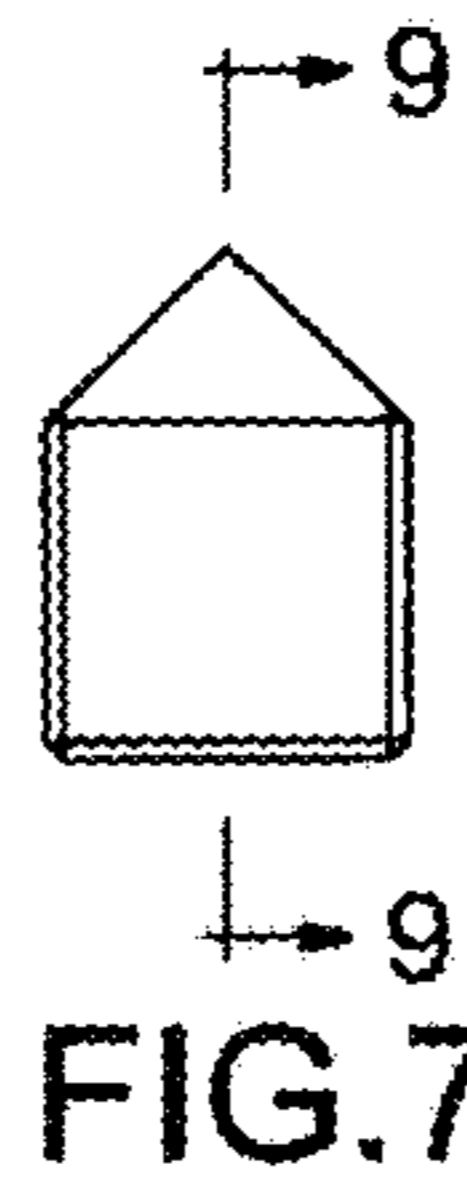
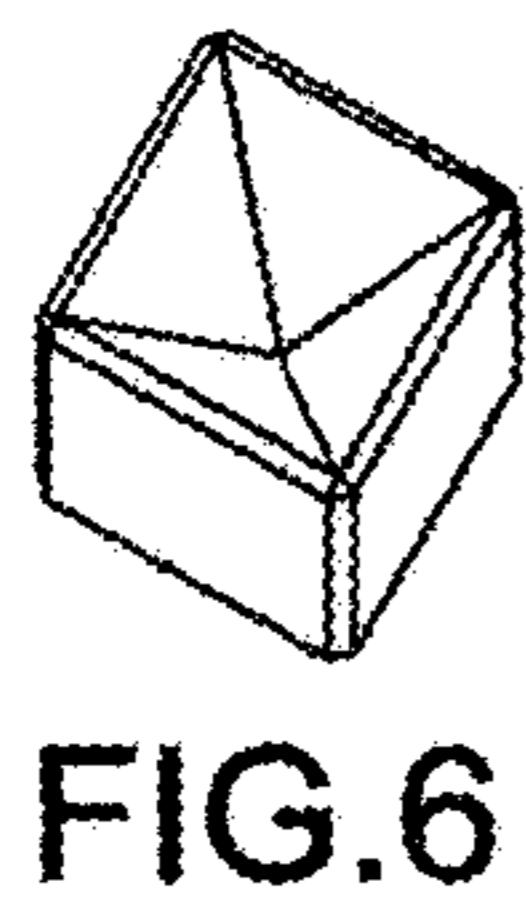
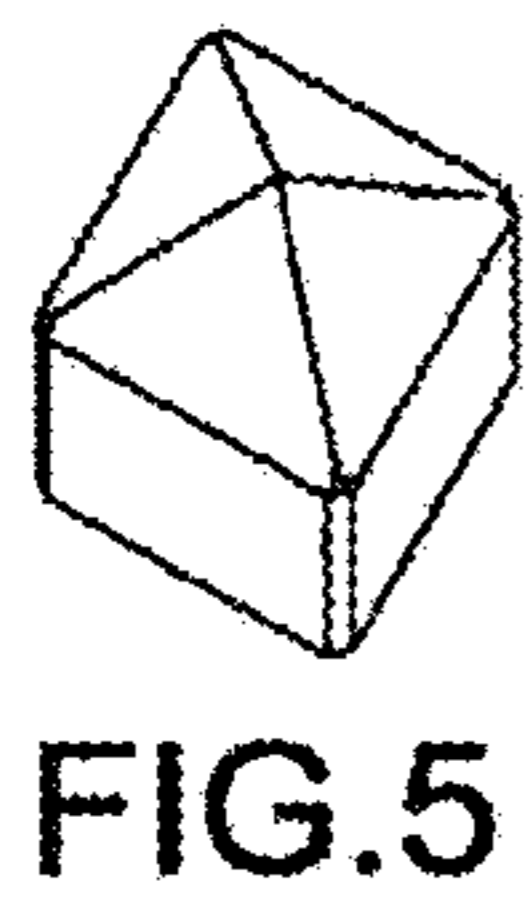
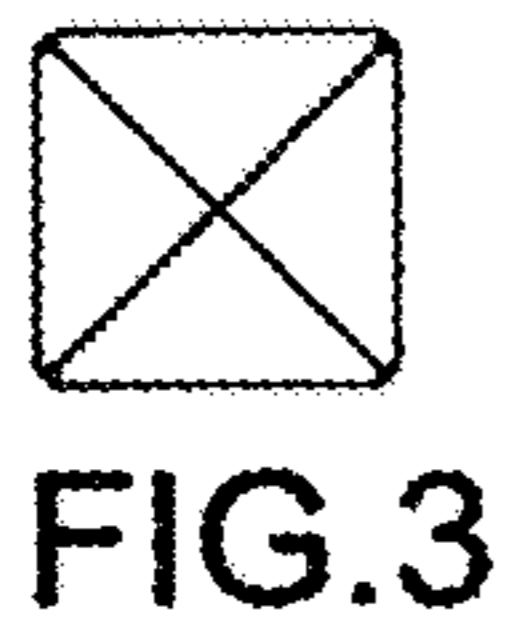
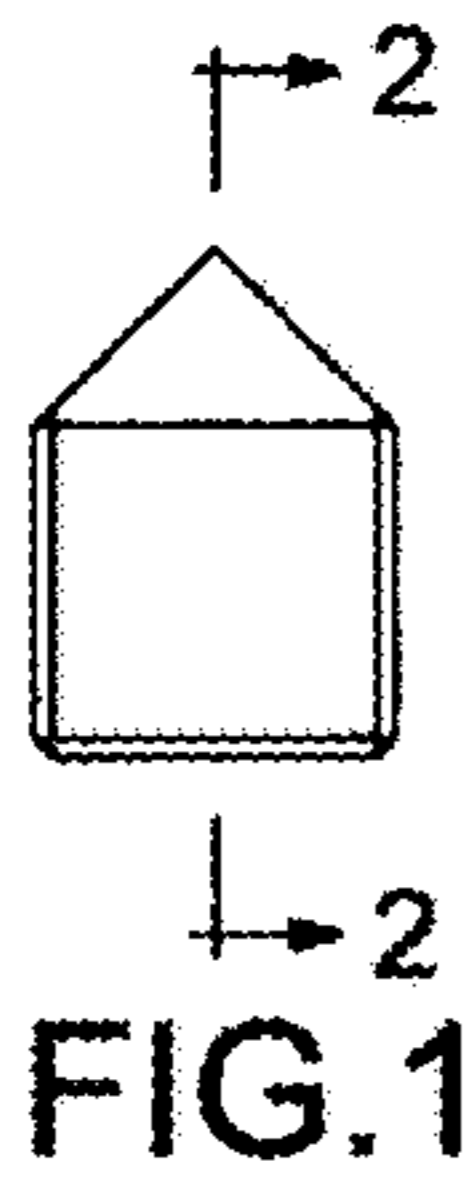
CPC A63H 33/04; A63H 33/06; A63H 33/08;
 A63H 33/082; A63H 33/084; A63H
 33/10; A63H 33/102; A63H 33/105;
 A63H 33/12; A63H 33/16; G09B 19/00
 See application file for complete search history.

(56) **References Cited**

U.S. PATENT DOCUMENTS

D224,425	S *	7/1972	Stahel, II	D21/499
5,168,677	A *	12/1992	Pronsato	A63F 9/1208 52/81.1
5,249,966	A *	10/1993	Hiigli	G09B 23/04 434/211
5,567,194	A *	10/1996	Stapleton	A63H 33/04 446/124
D437,366	S *	2/2001	Stemmler	D21/499
6,379,212	B1 *	4/2002	Miller	A63H 33/084 446/85
D626,284	S *	10/2010	Zeisner	D26/154
7,988,517	B2 *	8/2011	Bishop	A63H 33/082 446/108
8,075,314	B2 *	12/2011	Cabrera	G09B 1/00 434/236
8,529,153	B2 *	9/2013	Folgado	E02B 3/129 405/16
8,715,029	B2 *	5/2014	Bishop	A63H 33/084 446/108
D725,716	S *	3/2015	Kaplan	D21/484
D754,262	S *	4/2016	Kaplan	D21/491
D775,694	S *	1/2017	Kaplan	D21/486
D778,591	S *	2/2017	Goto	D2/978
D778,592	S *	2/2017	Goto	D2/978
D801,443	S *	10/2017	Du Toit	D21/499
2012/0274023	A1 *	11/2012	Carpenter	A63H 33/062 273/276

* cited by examiner



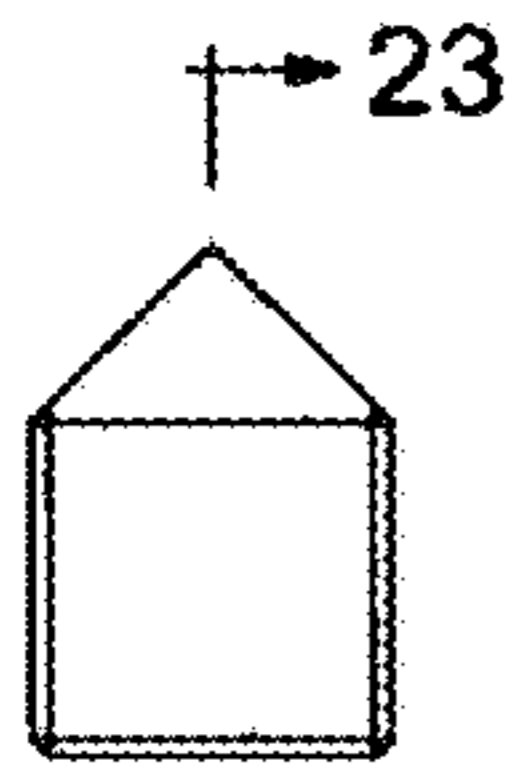


FIG. 21

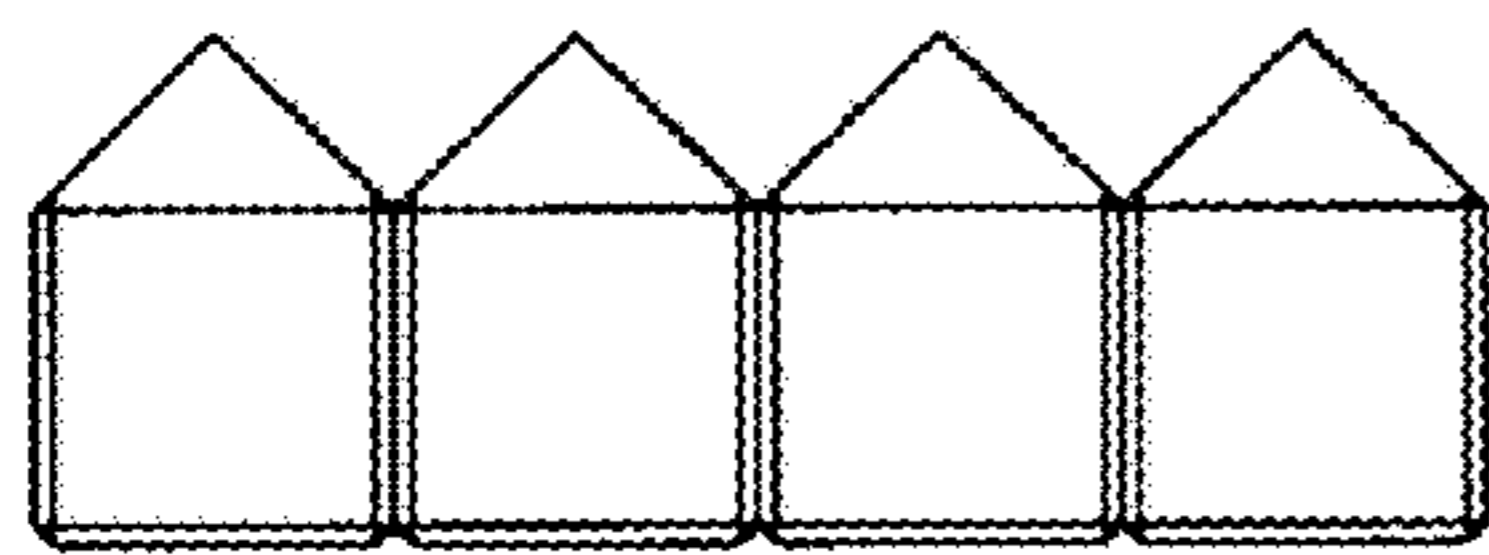


FIG. 22

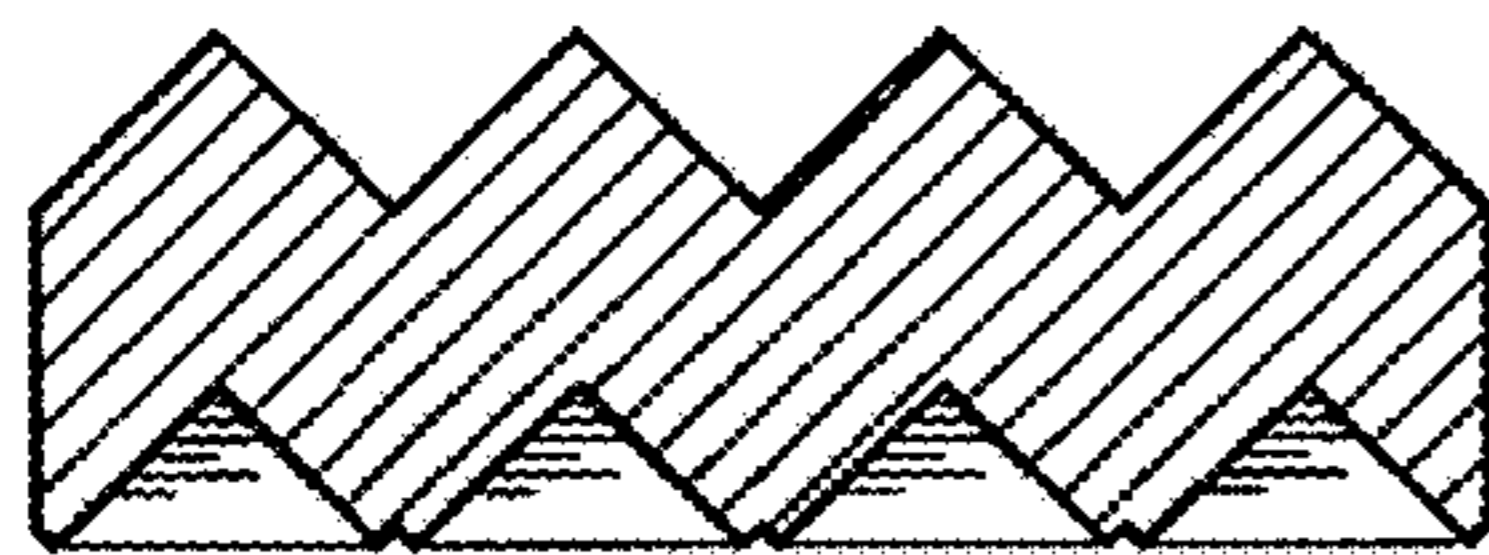


FIG. 23

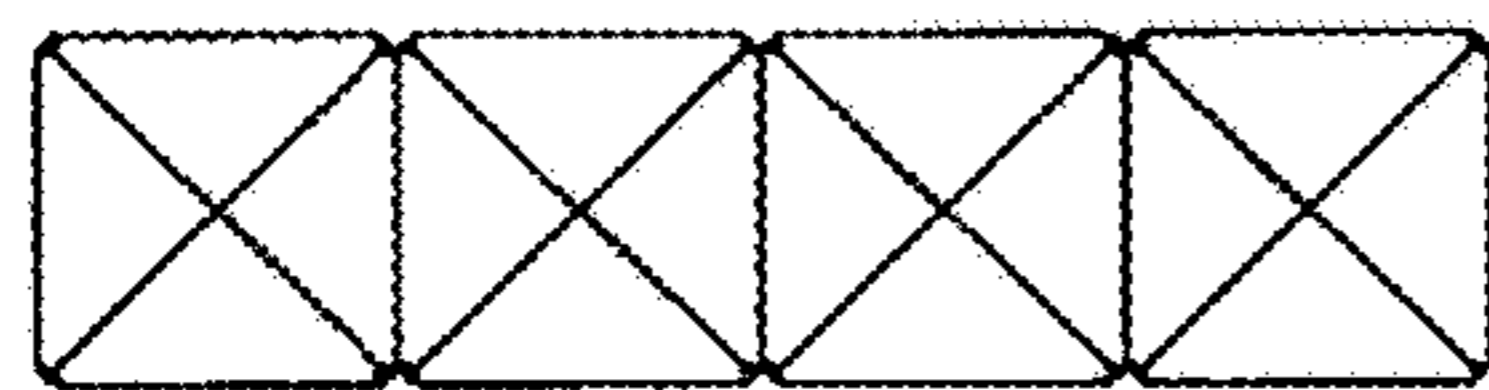


FIG. 24

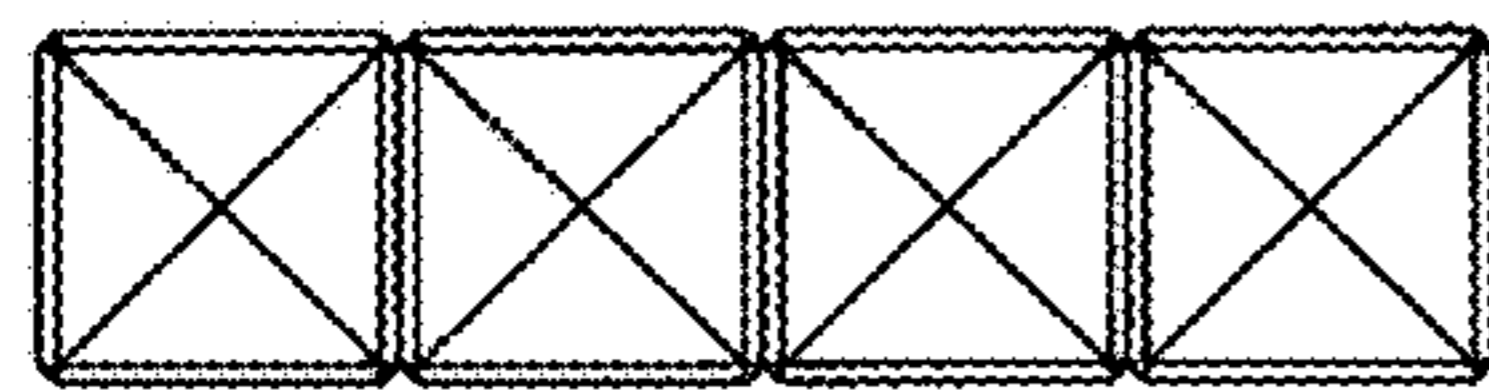


FIG. 25

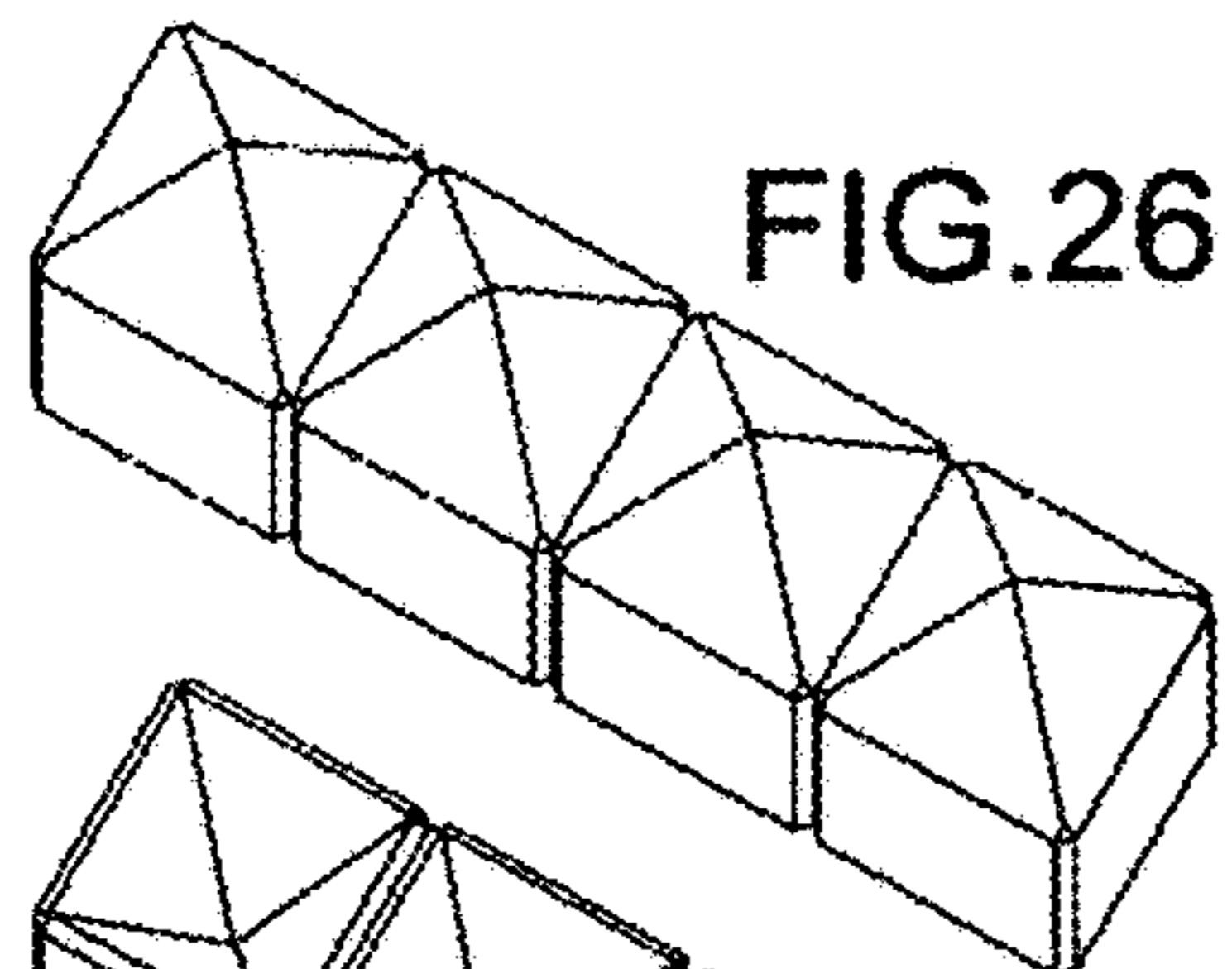


FIG. 26

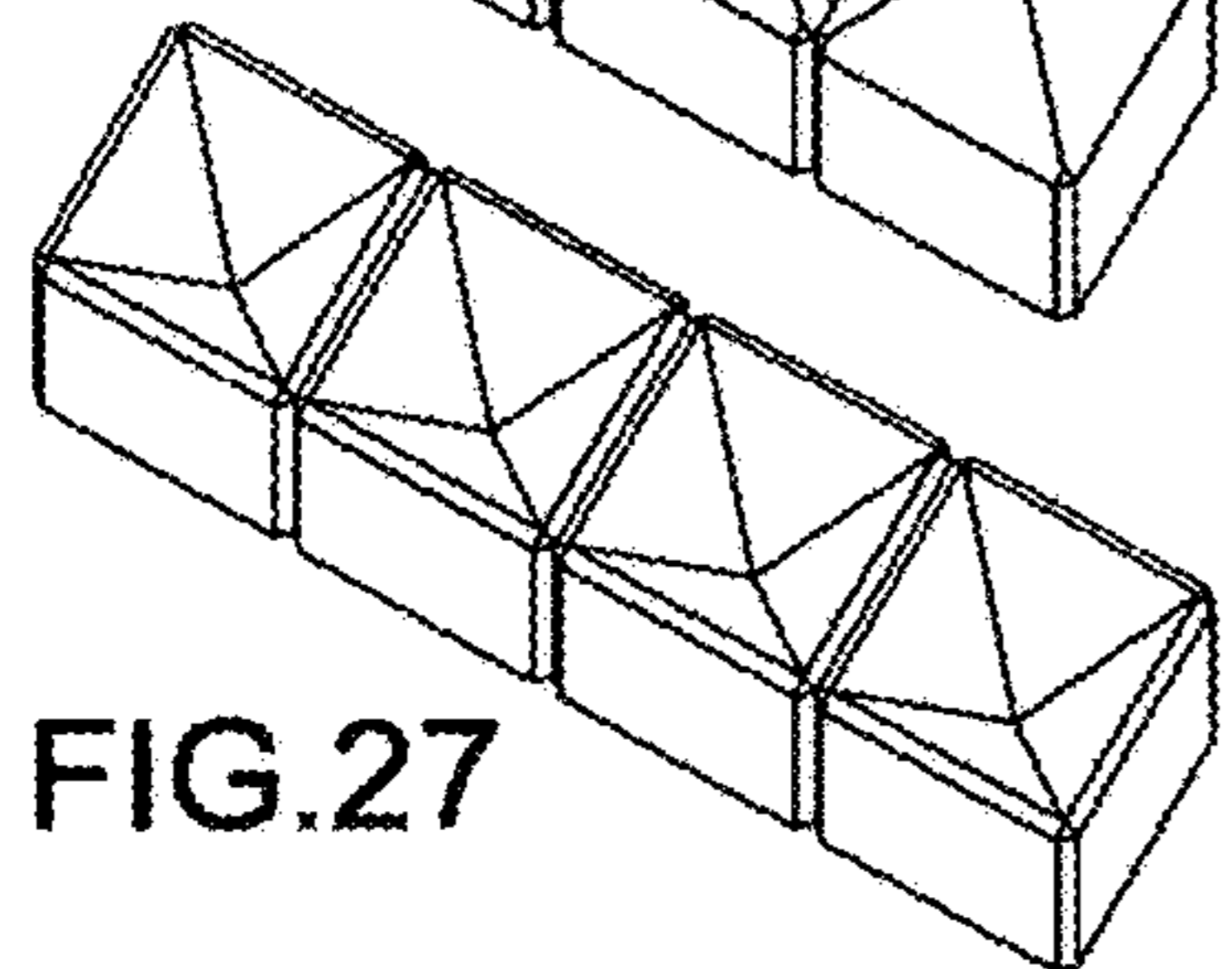


FIG. 27

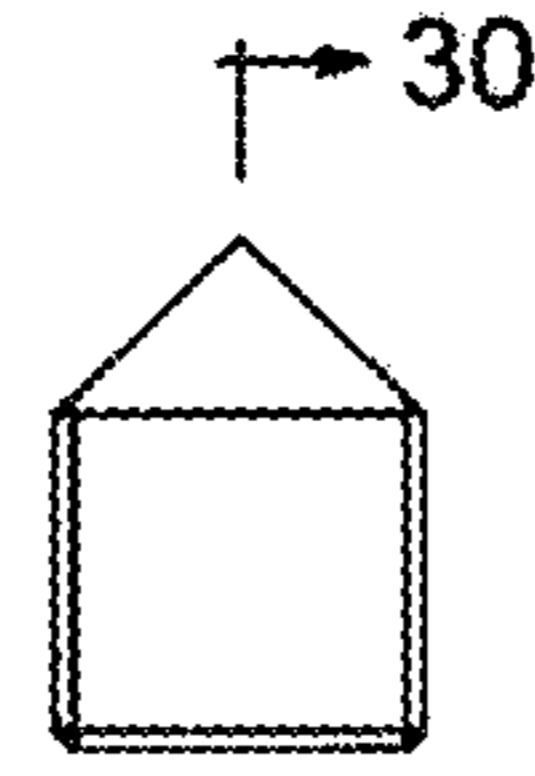


FIG. 28

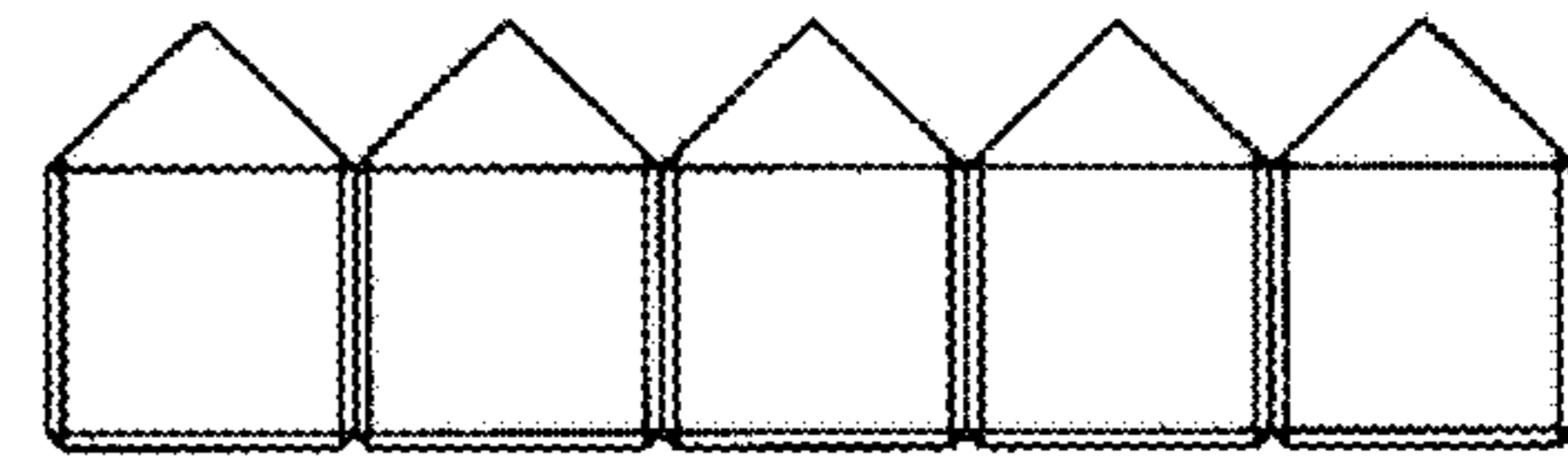


FIG. 29

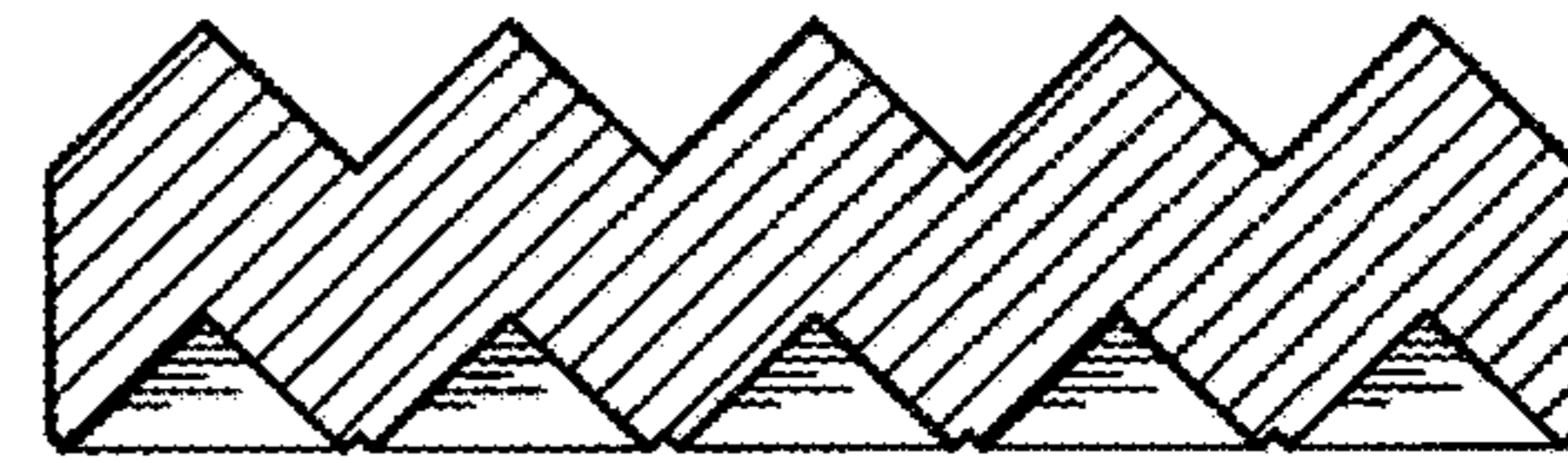


FIG. 30

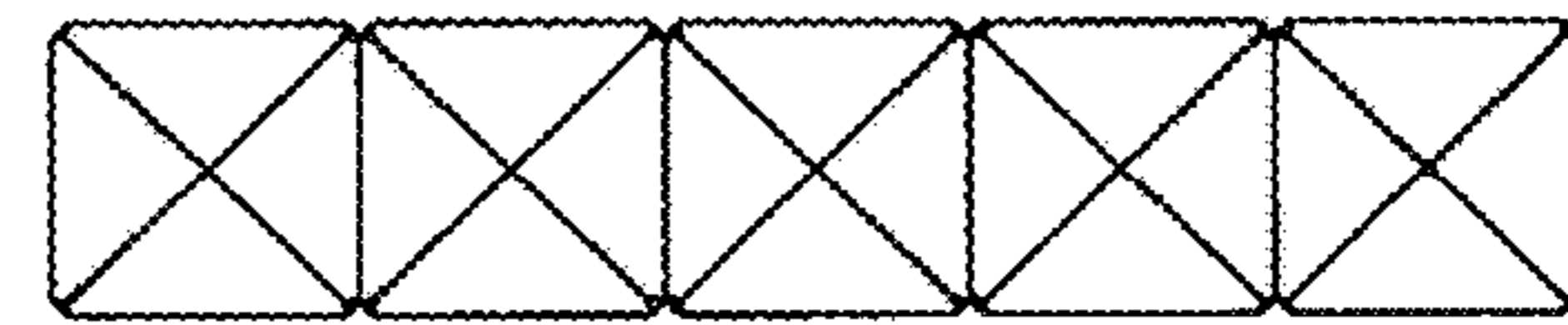


FIG. 31

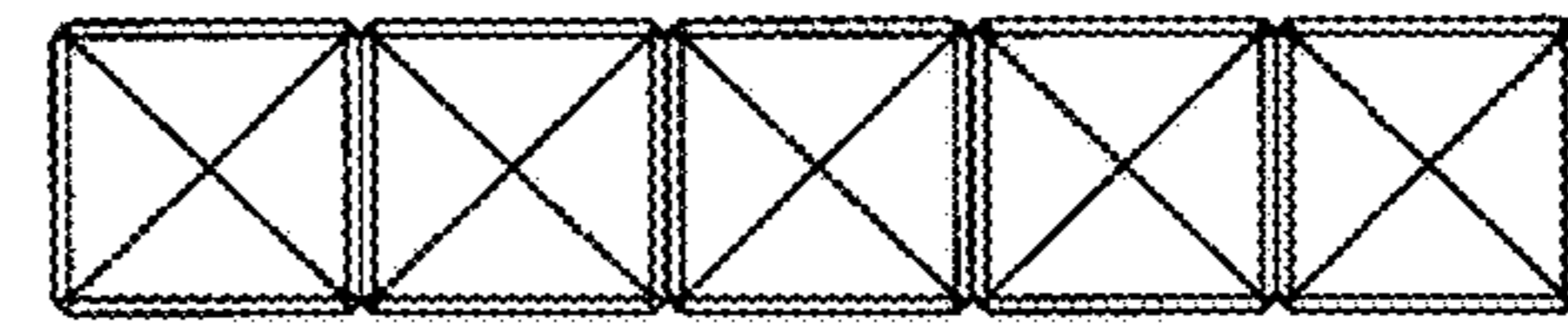


FIG. 32

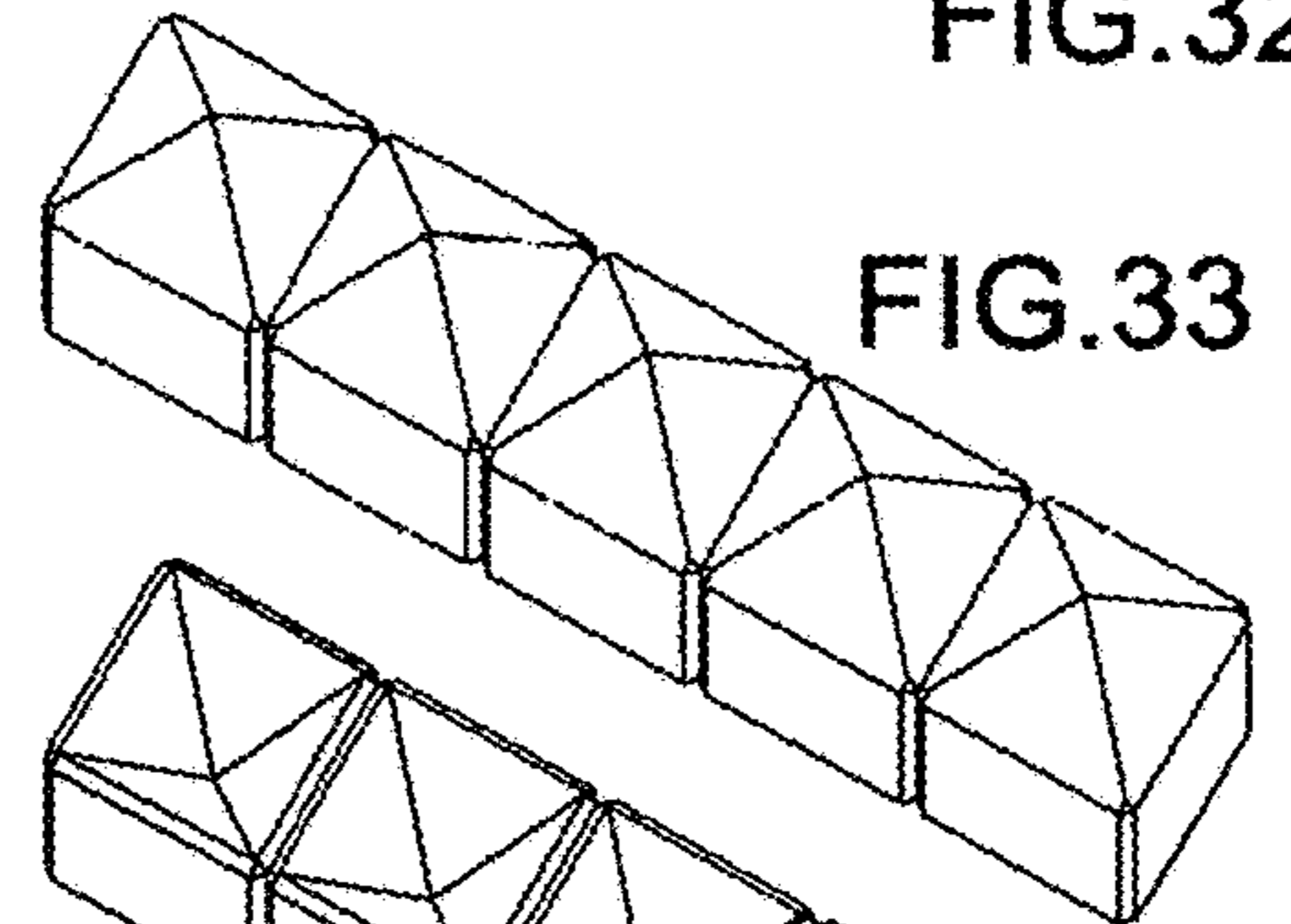


FIG. 33

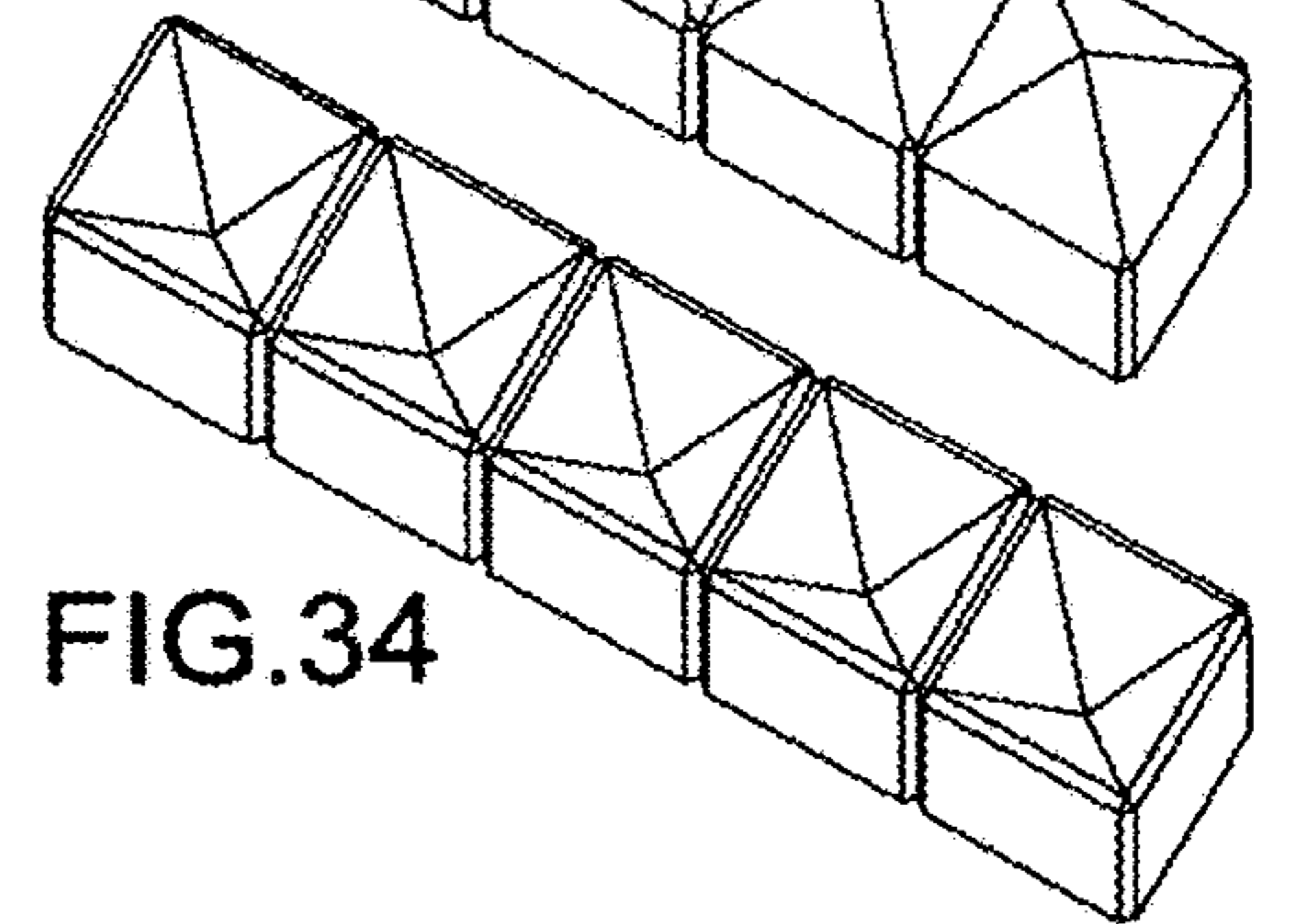
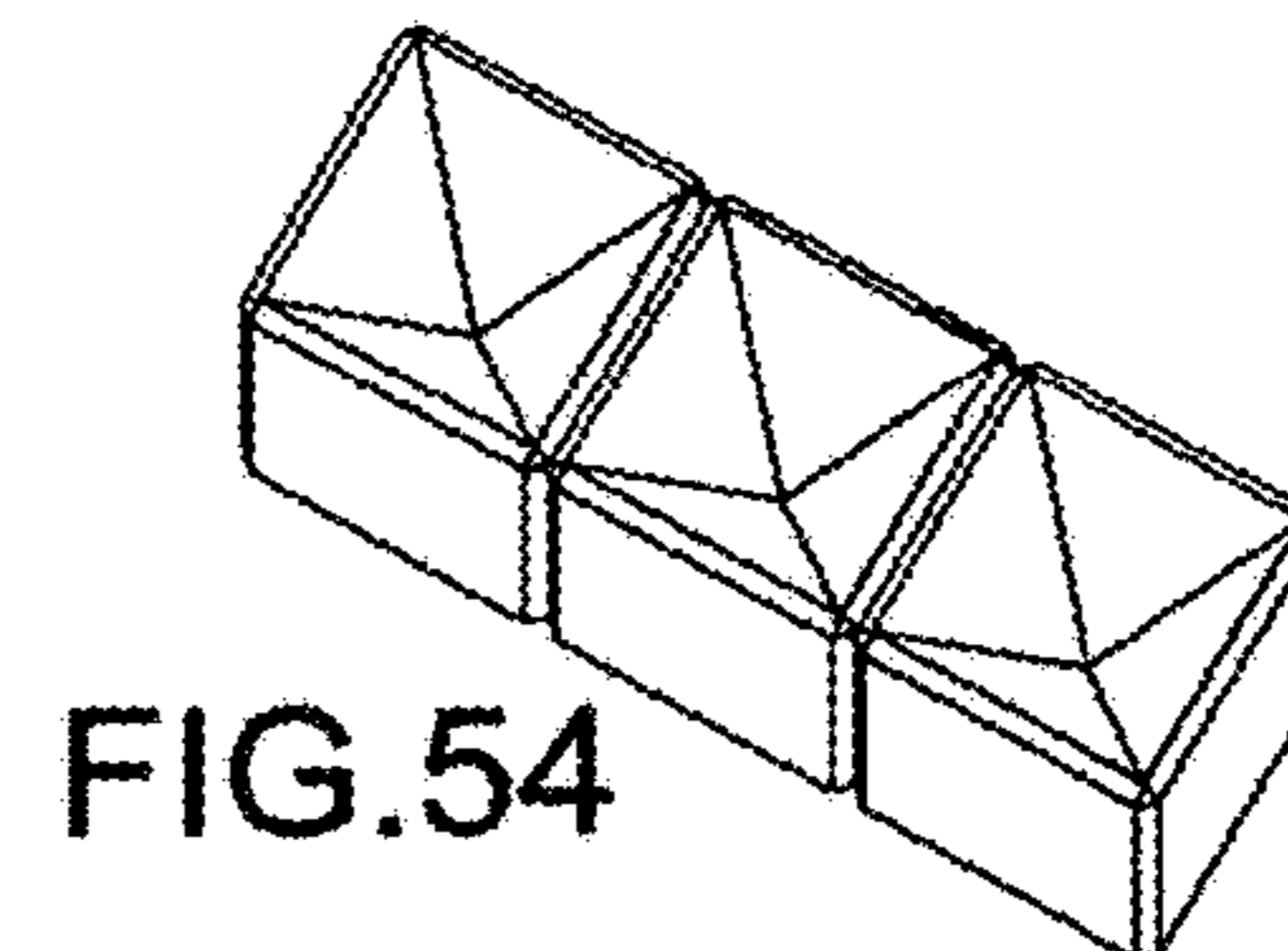
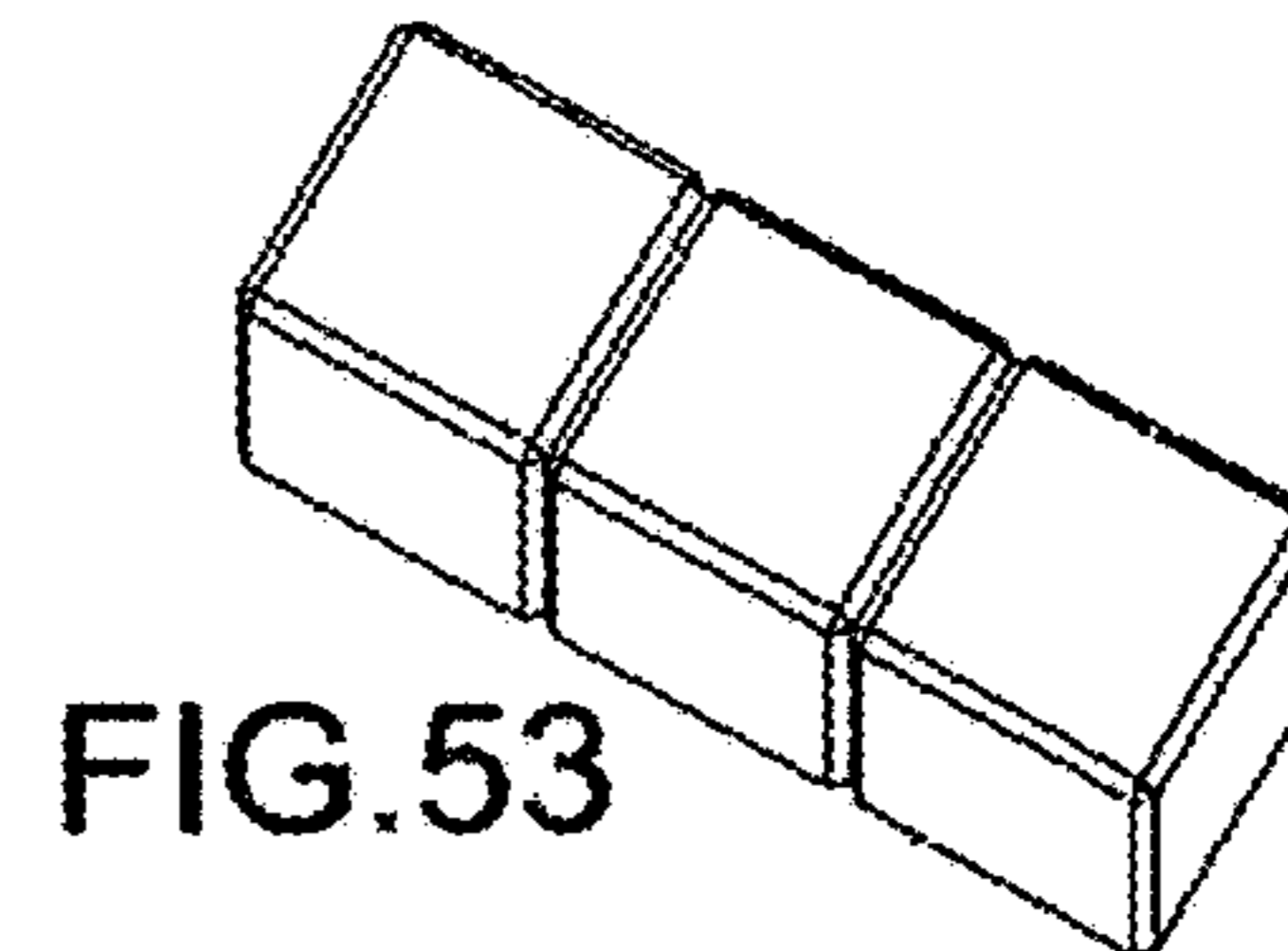
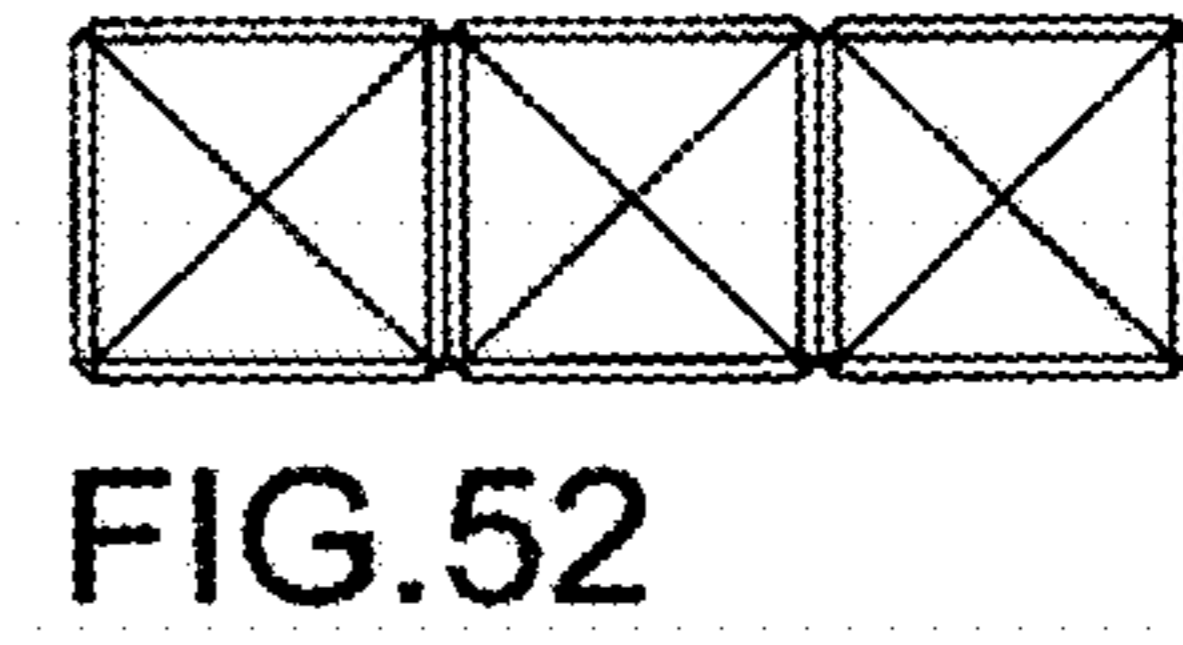
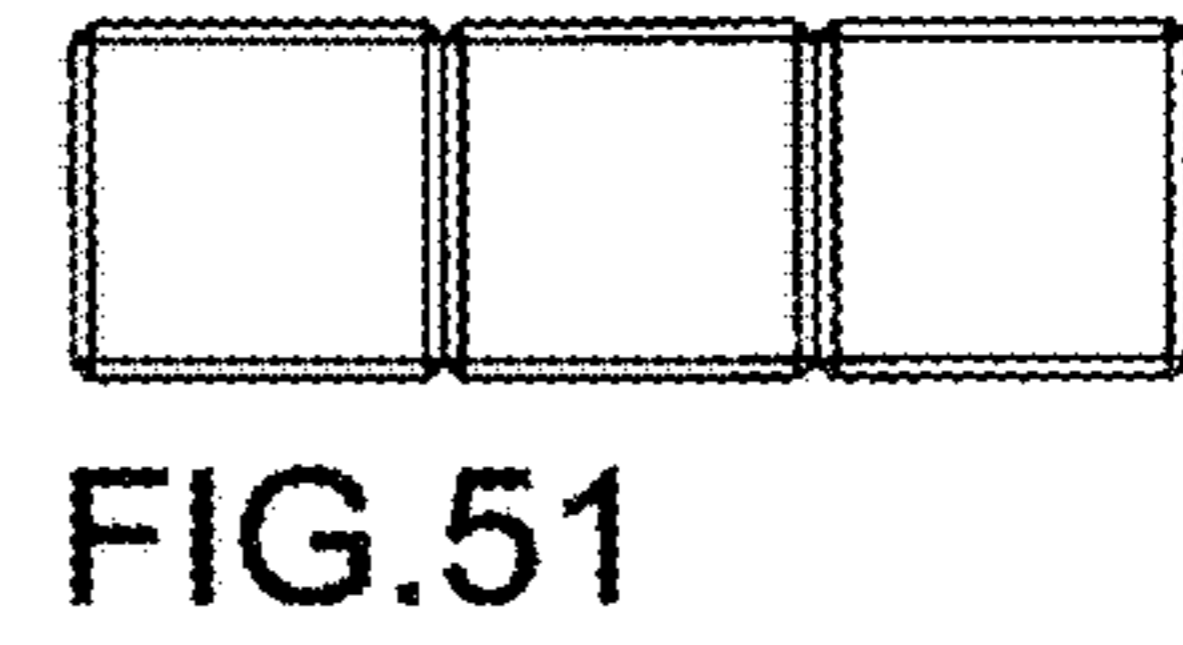
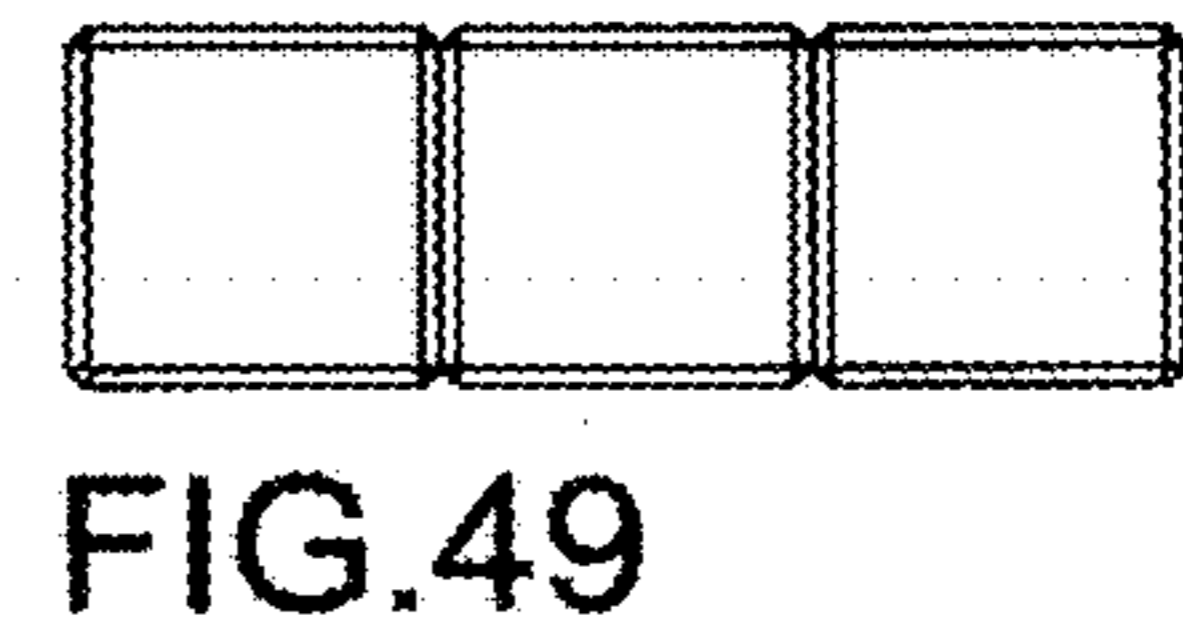
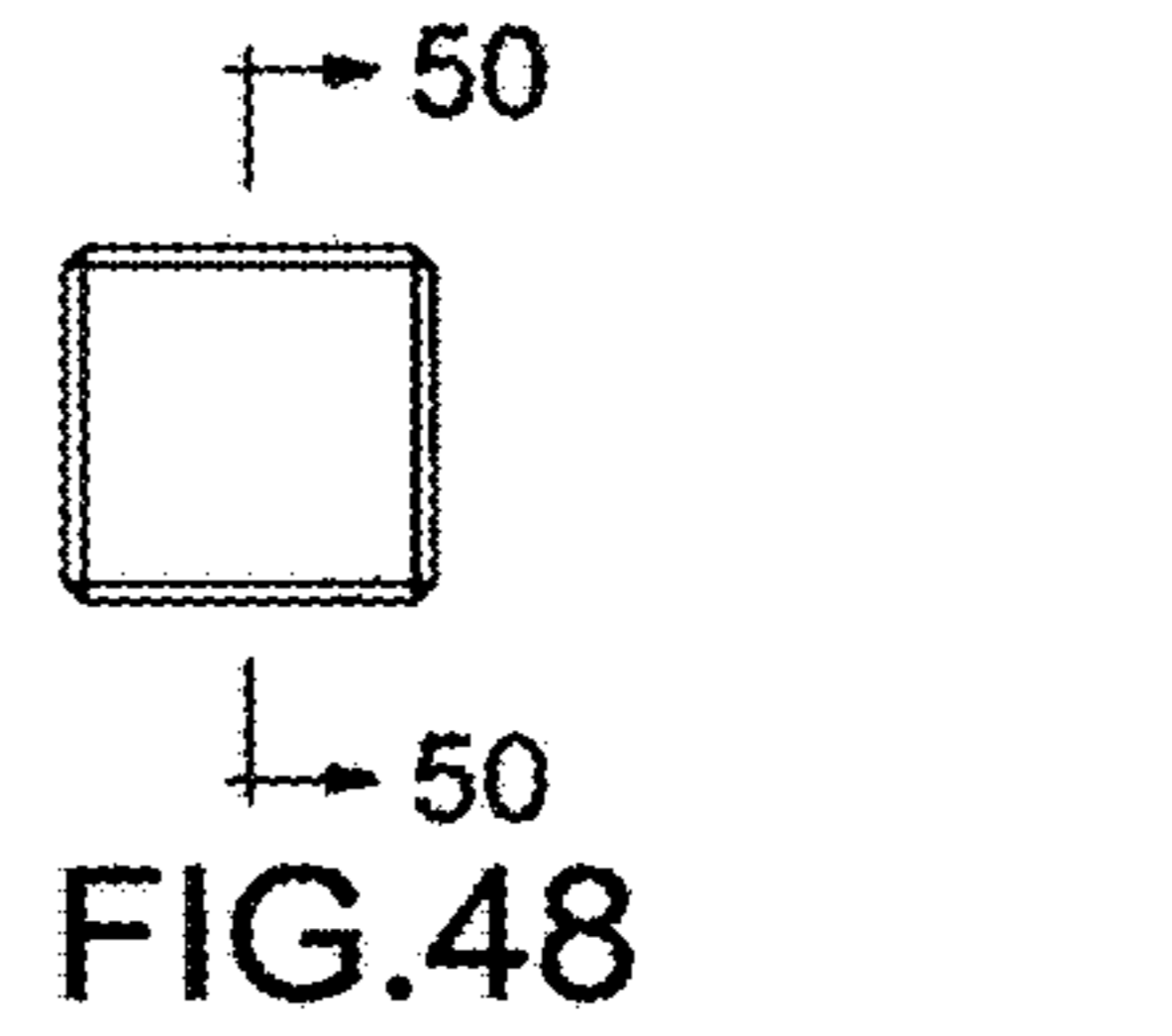
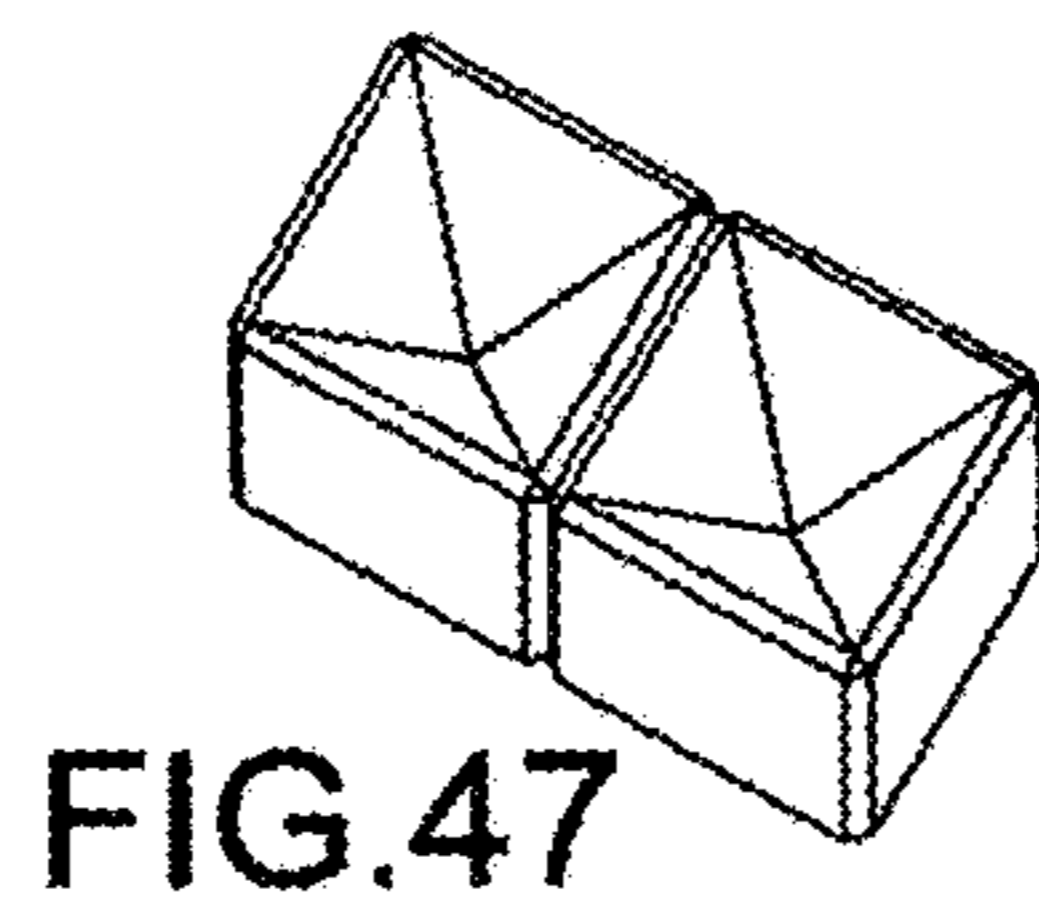
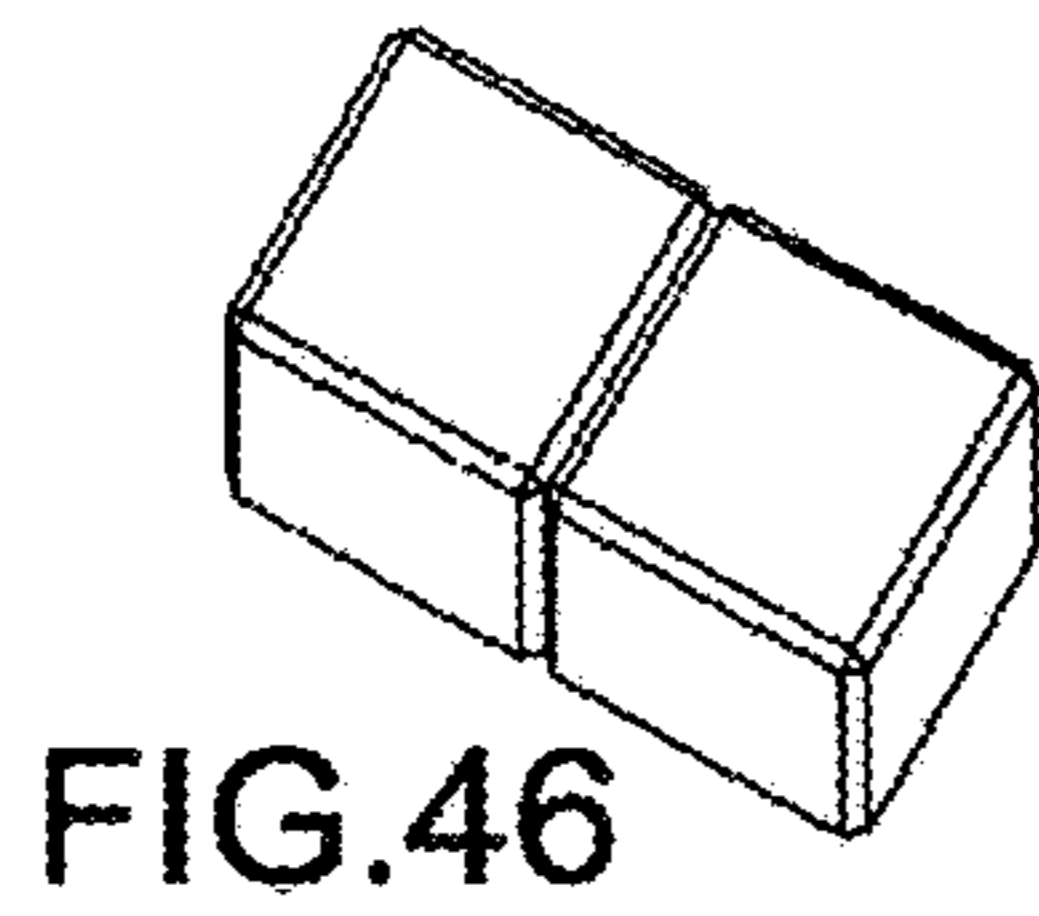
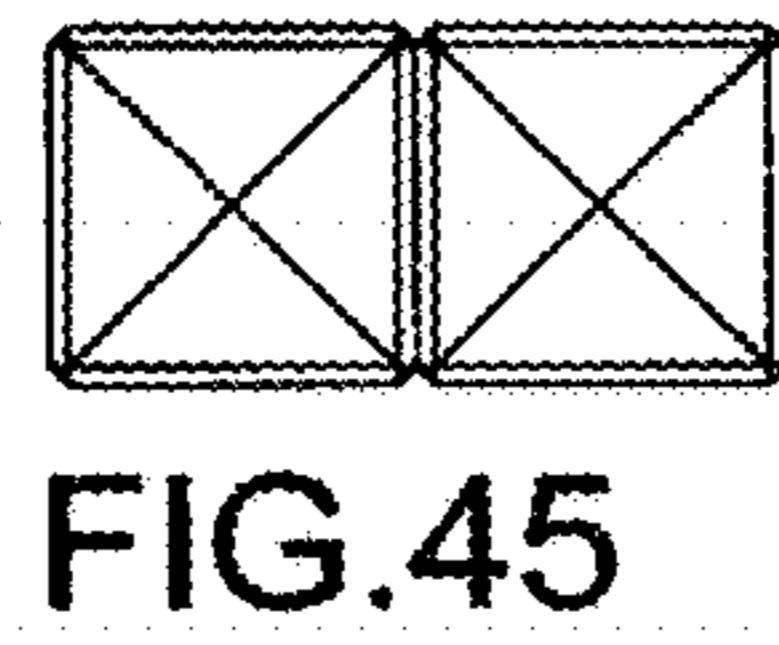
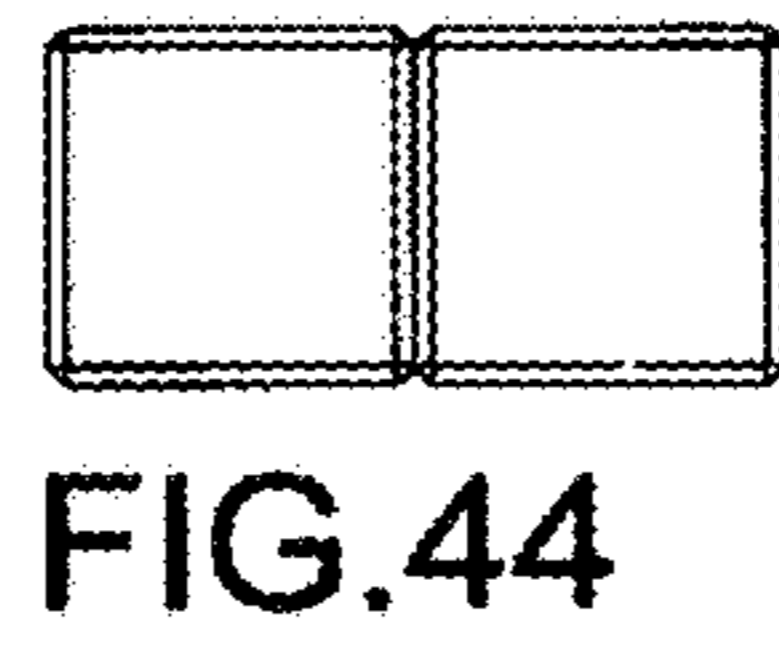
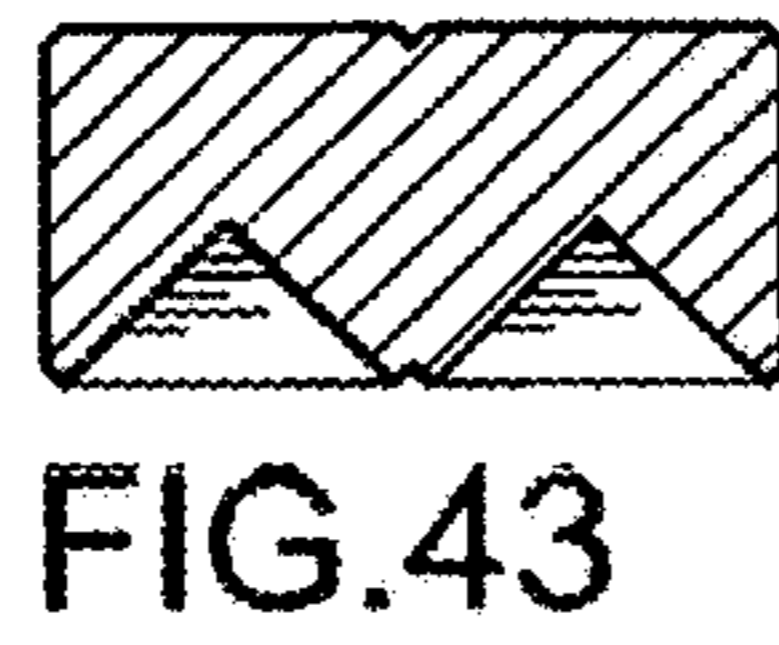
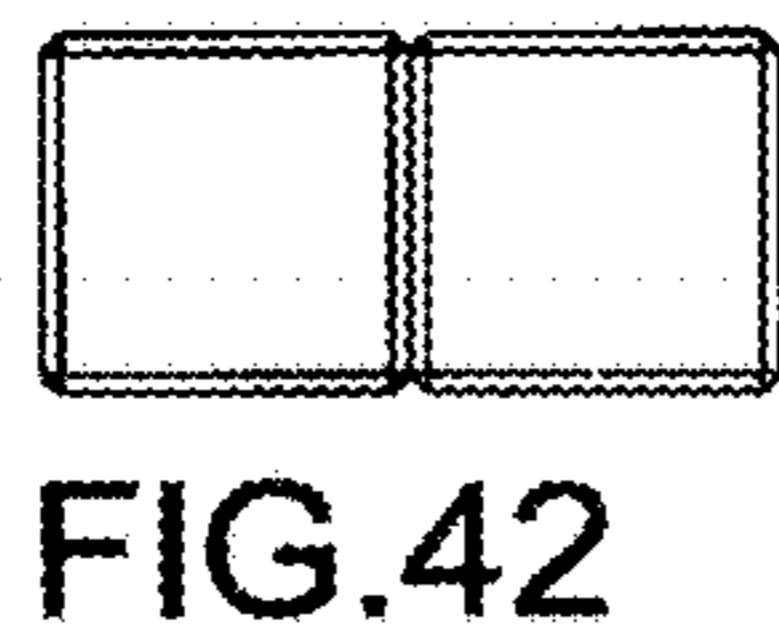
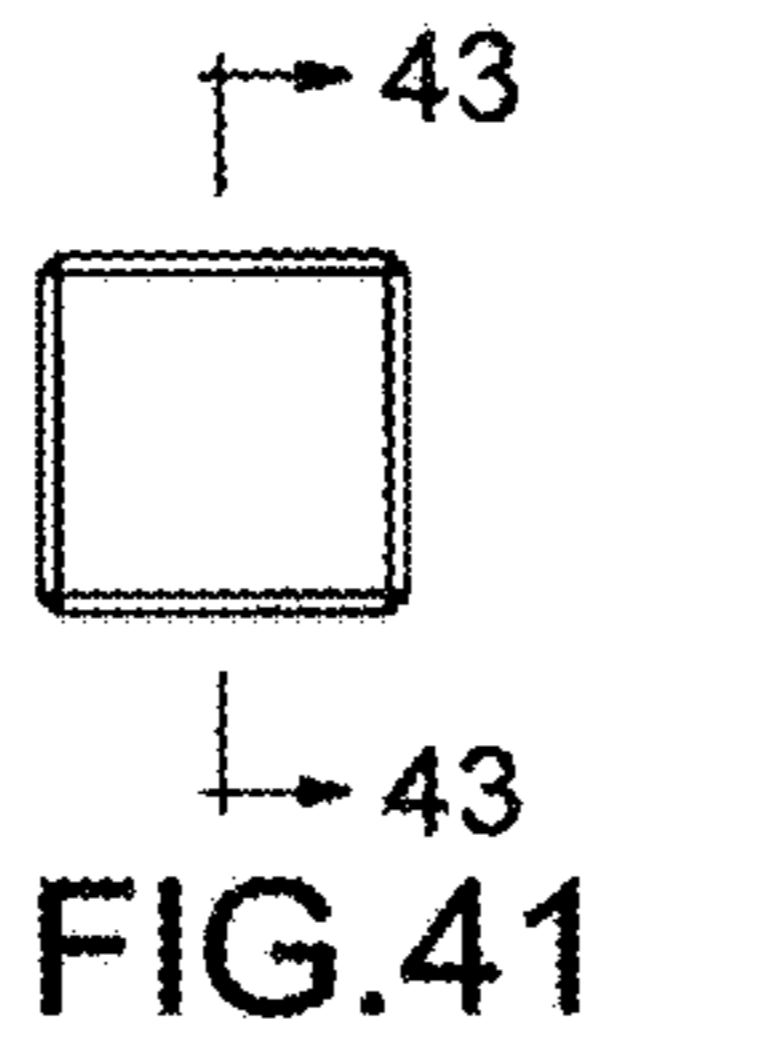
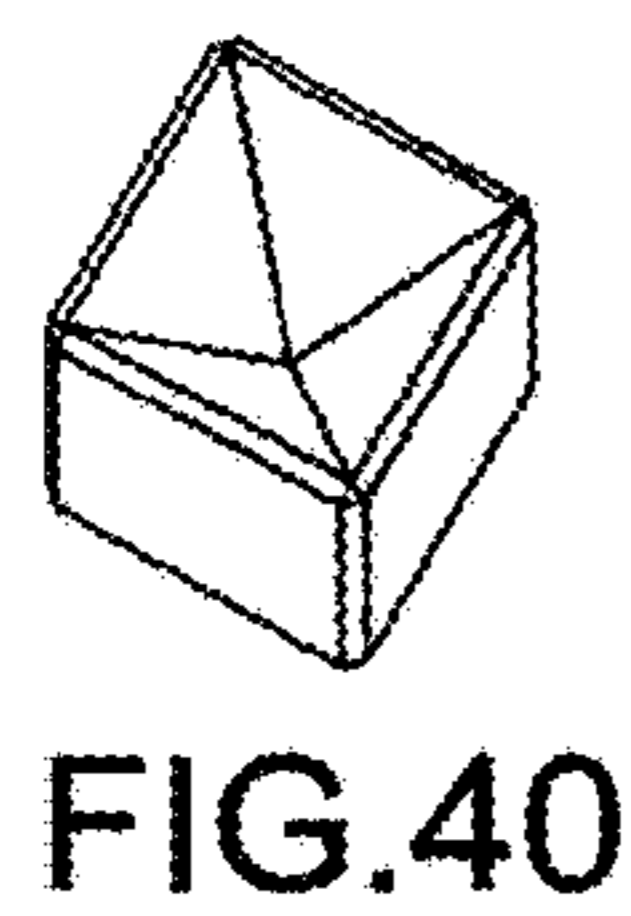
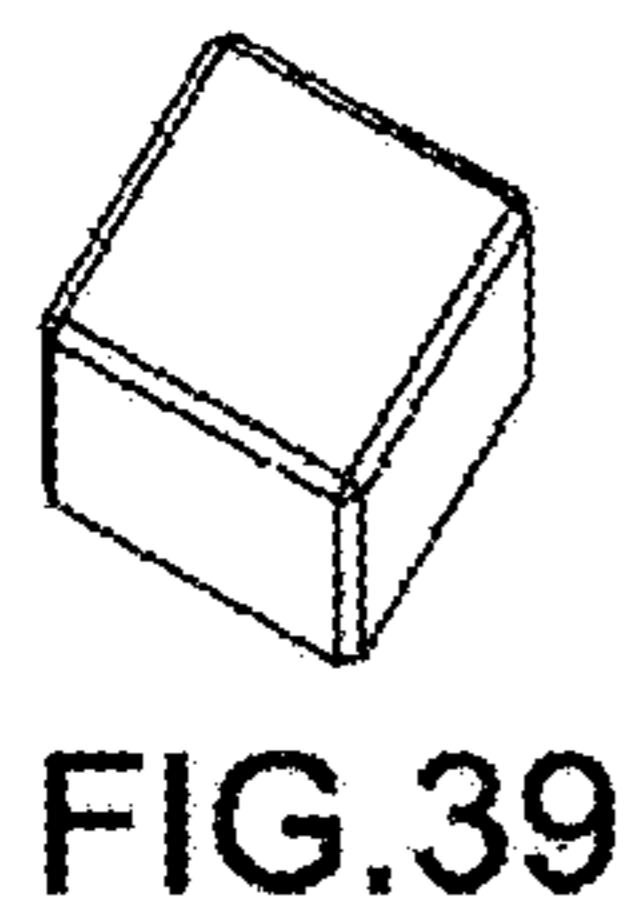
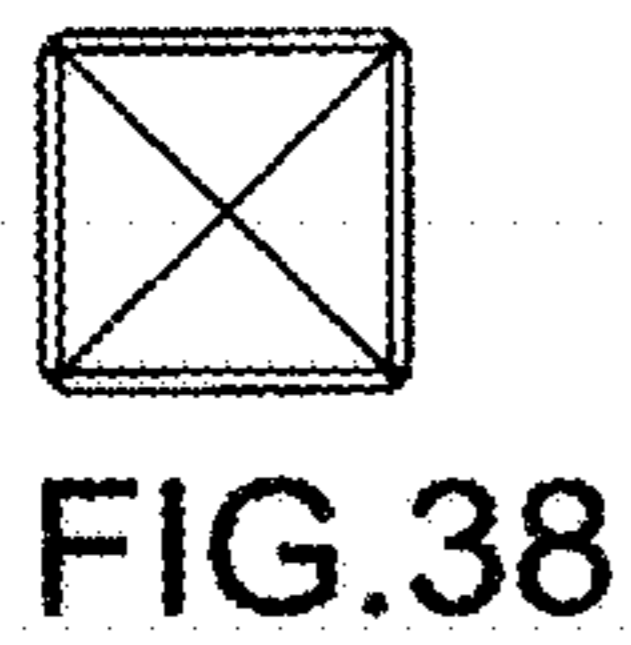
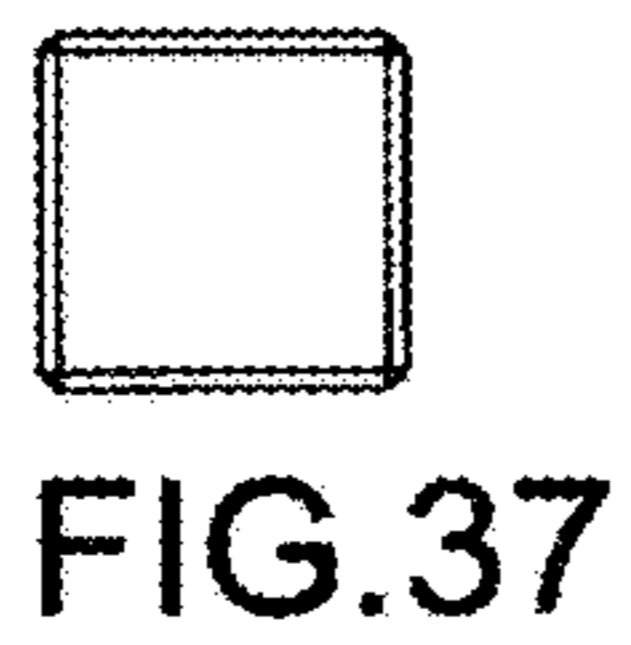
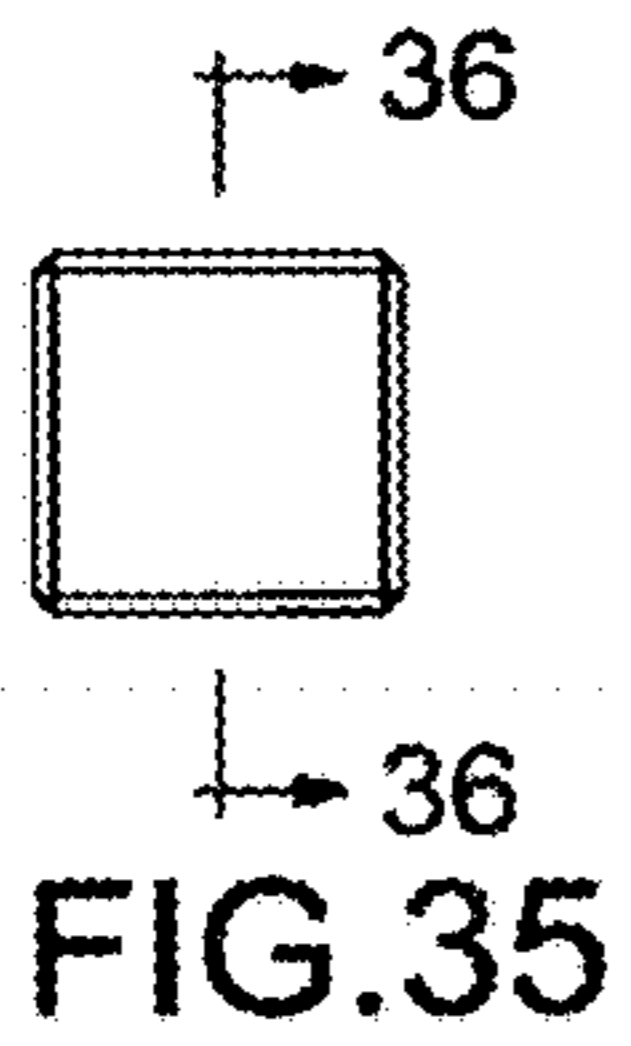


FIG. 34



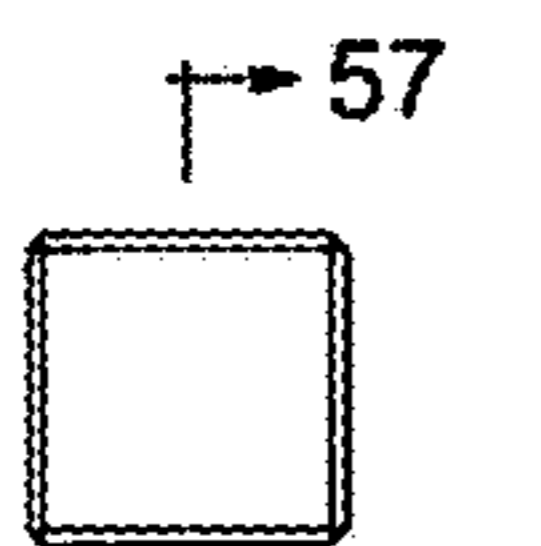


FIG. 55

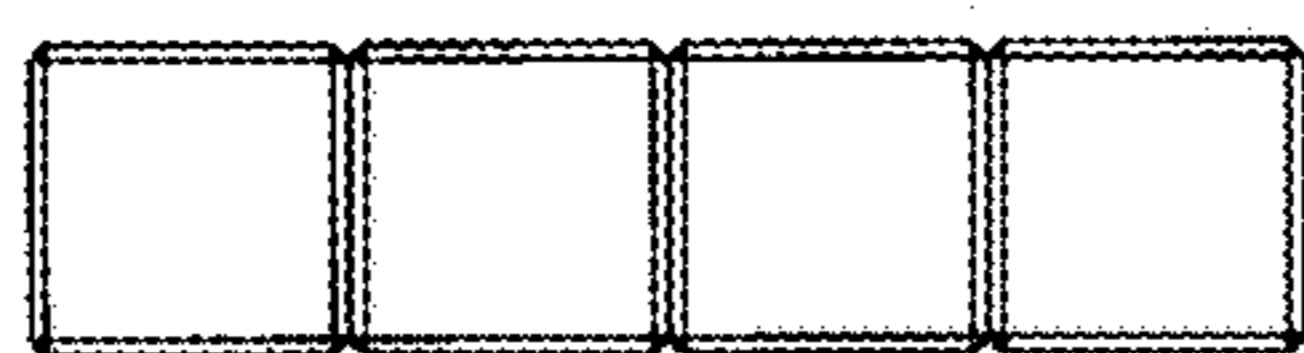


FIG. 56



FIG. 57

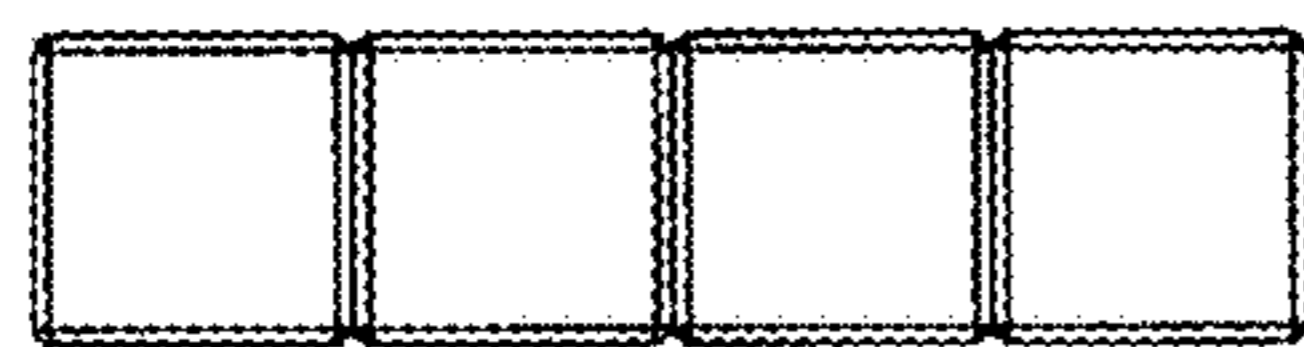


FIG. 58

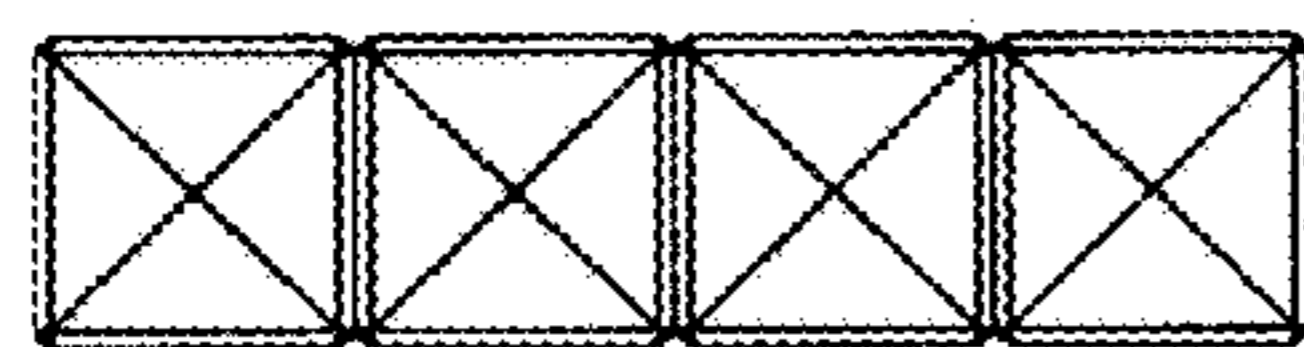


FIG. 59

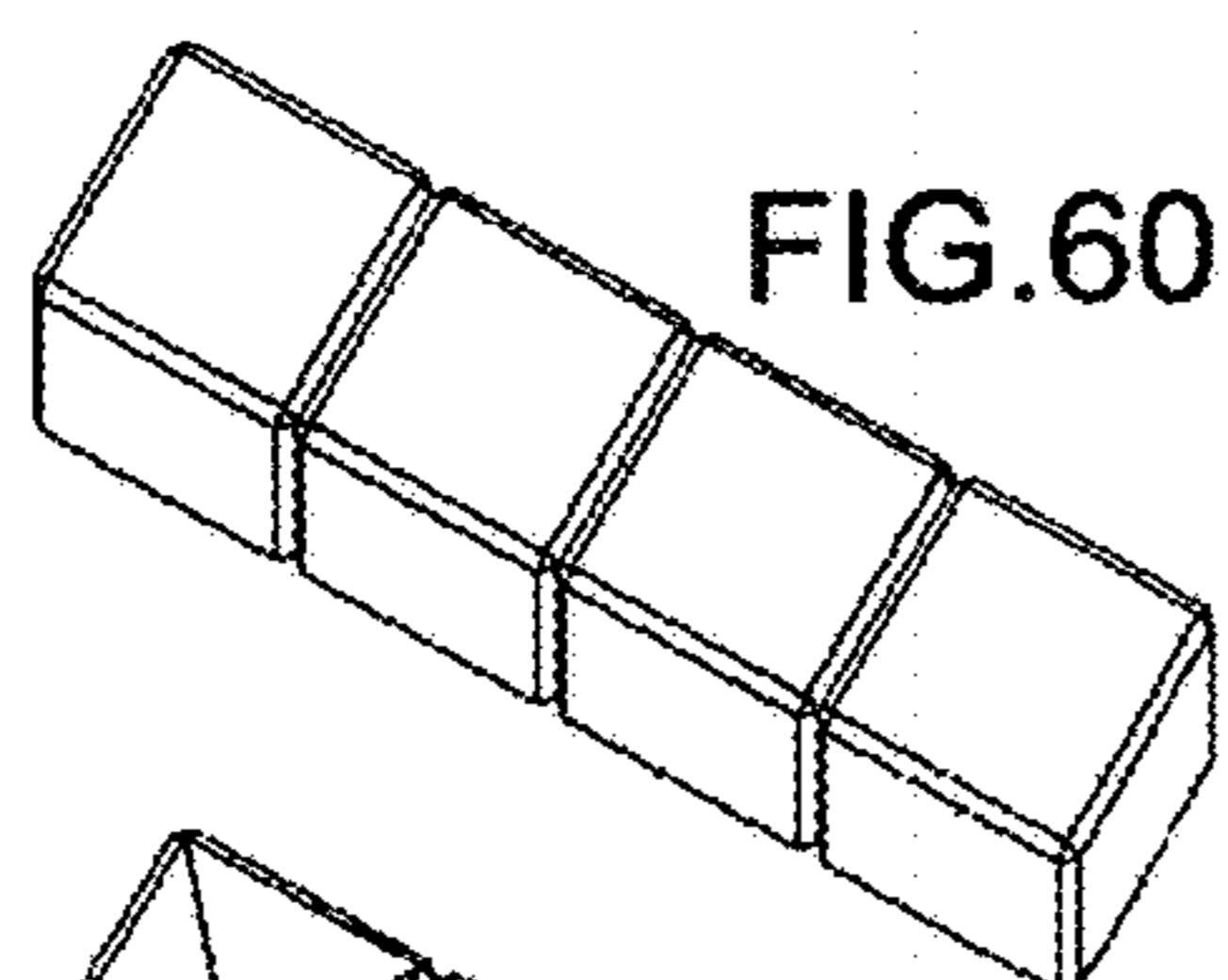


FIG. 60

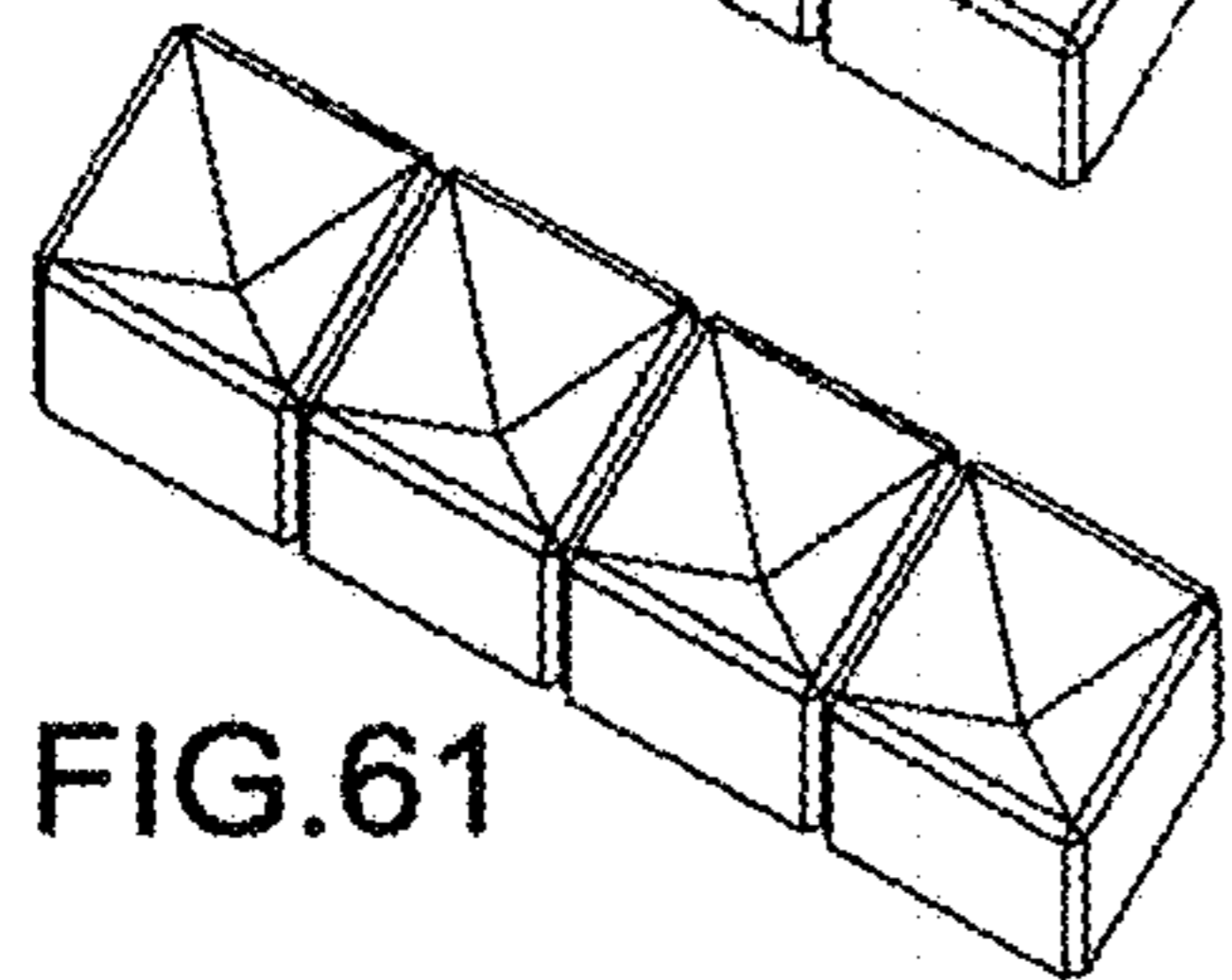


FIG. 61

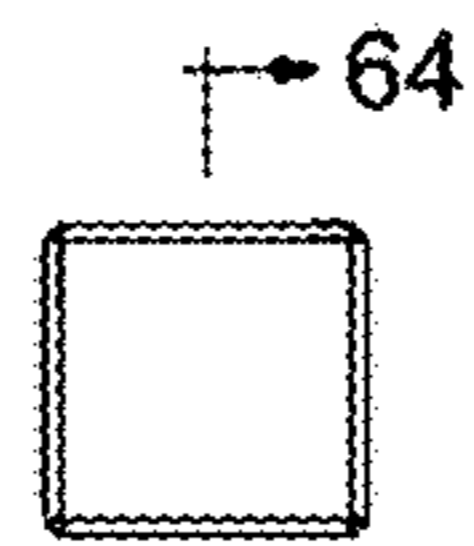


FIG. 62

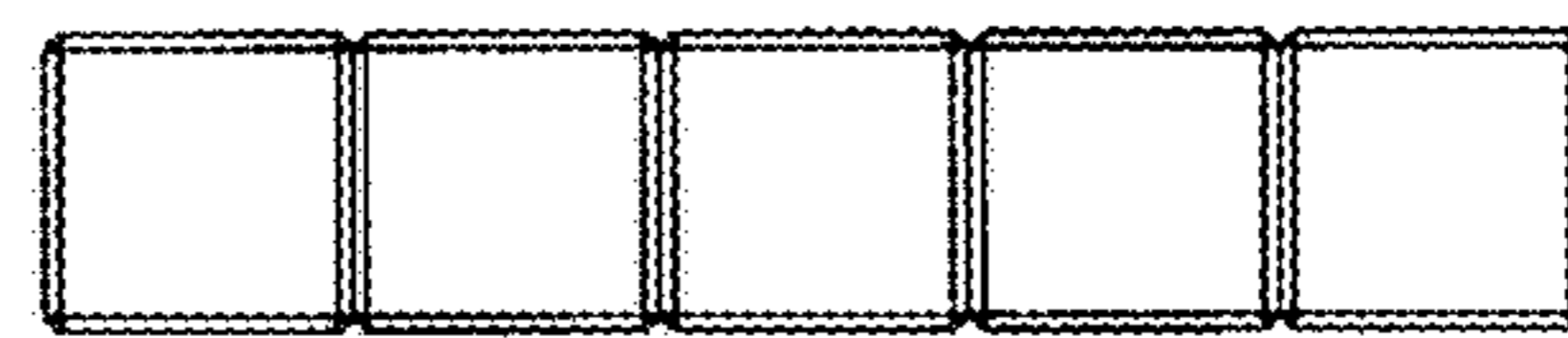


FIG. 63



FIG. 64

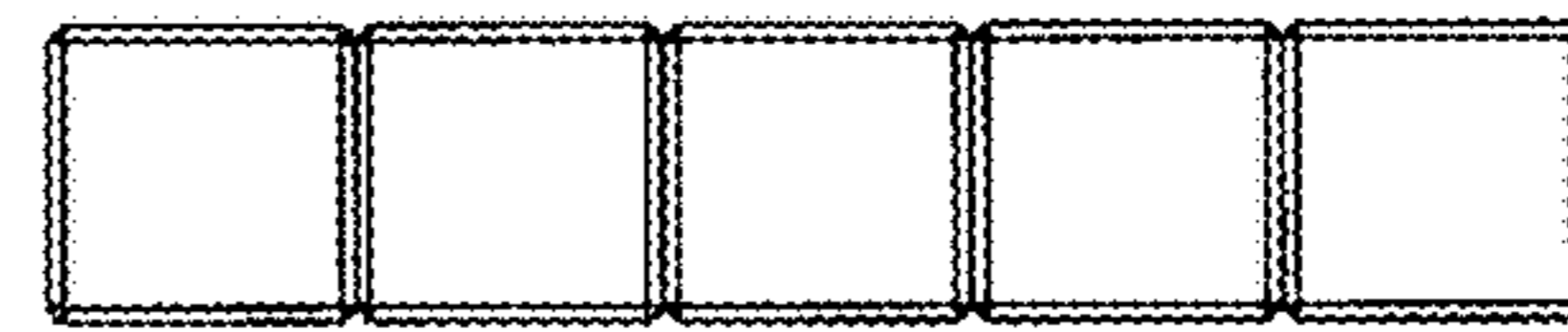


FIG. 65

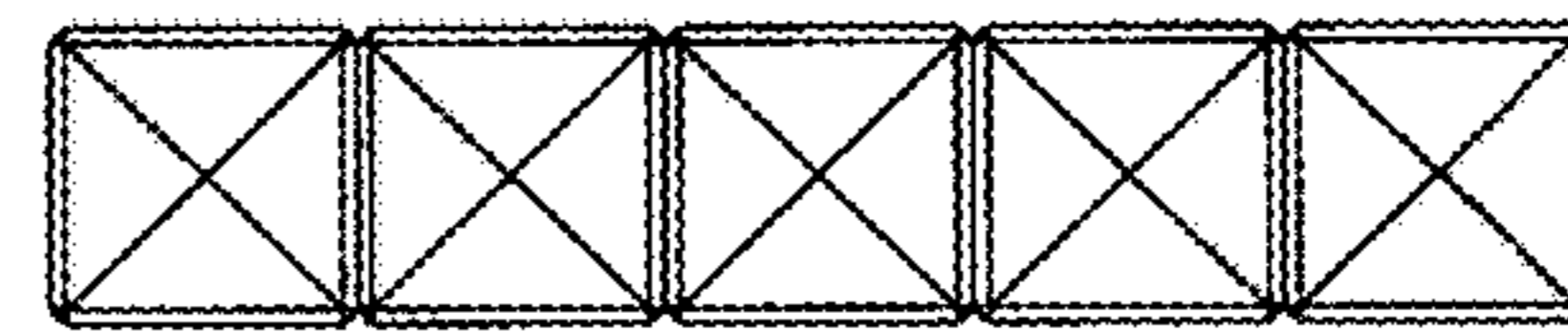


FIG. 66

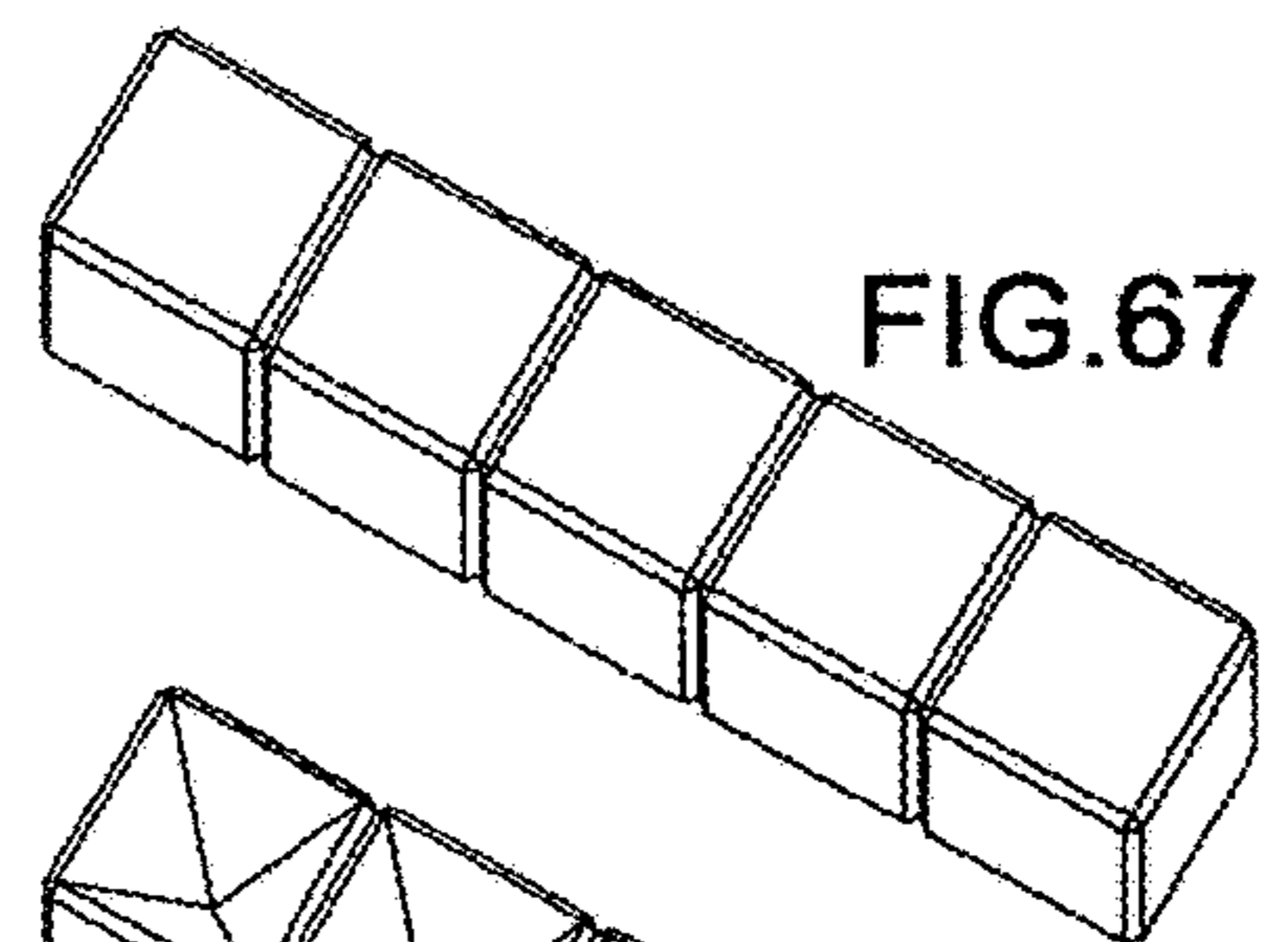


FIG. 67

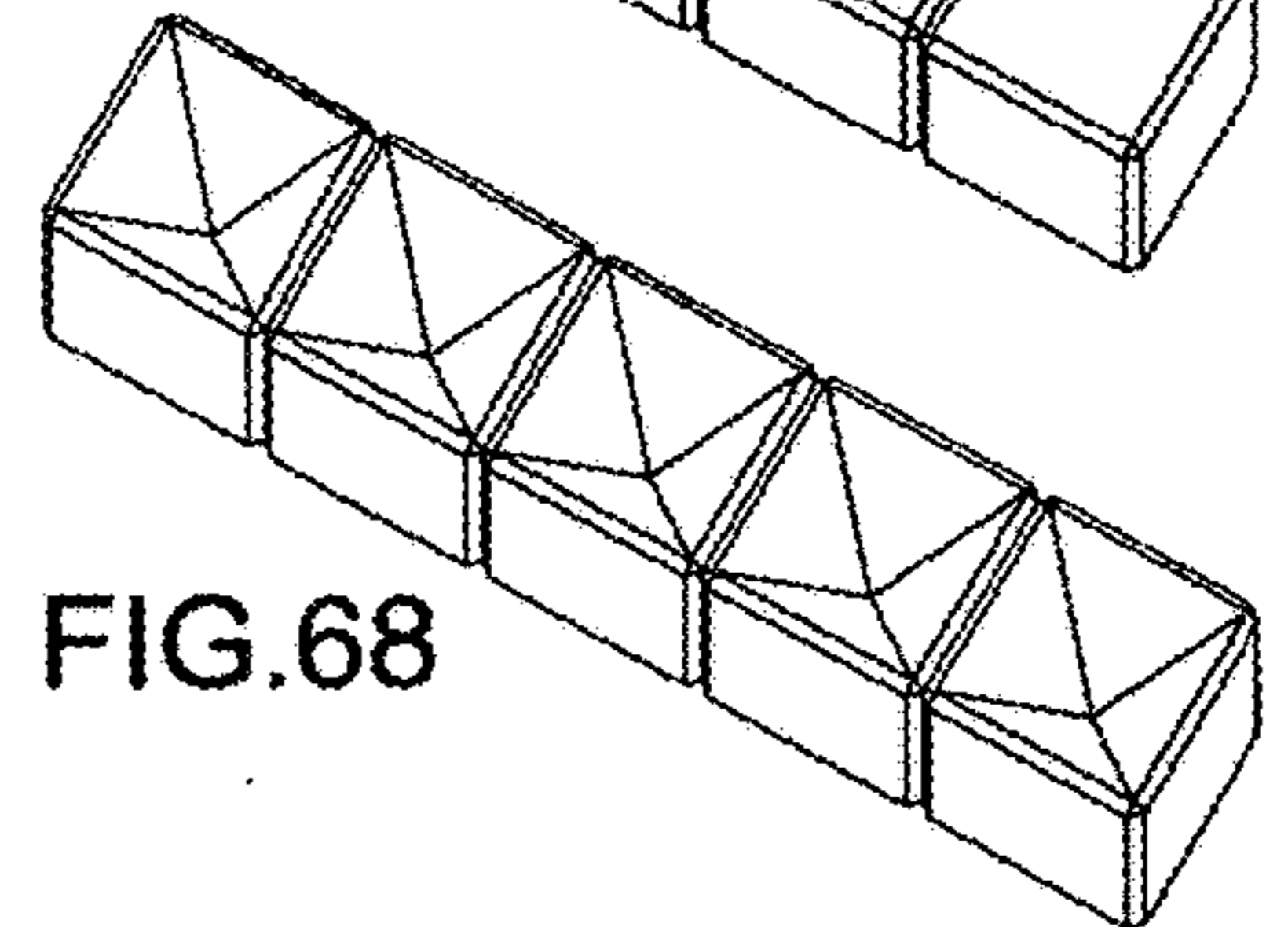


FIG. 68

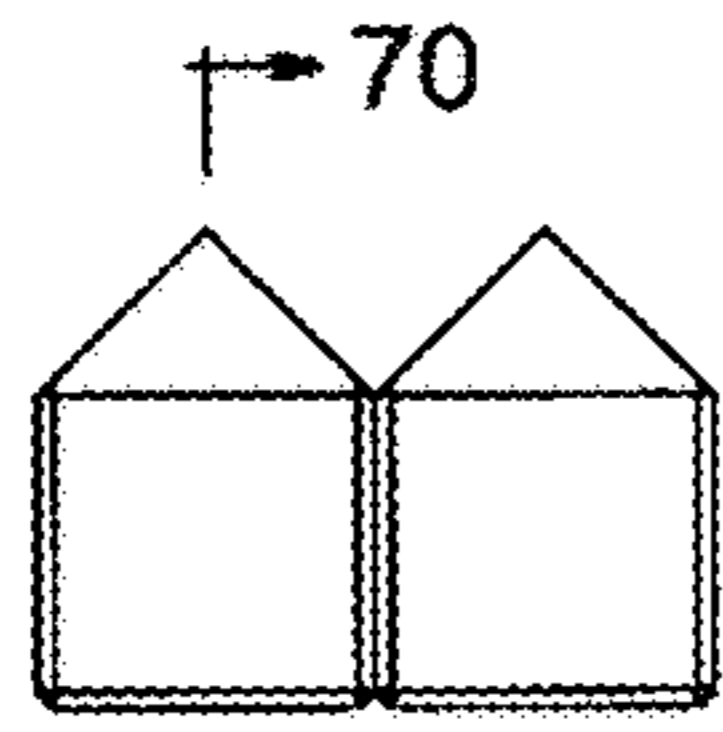


FIG. 69

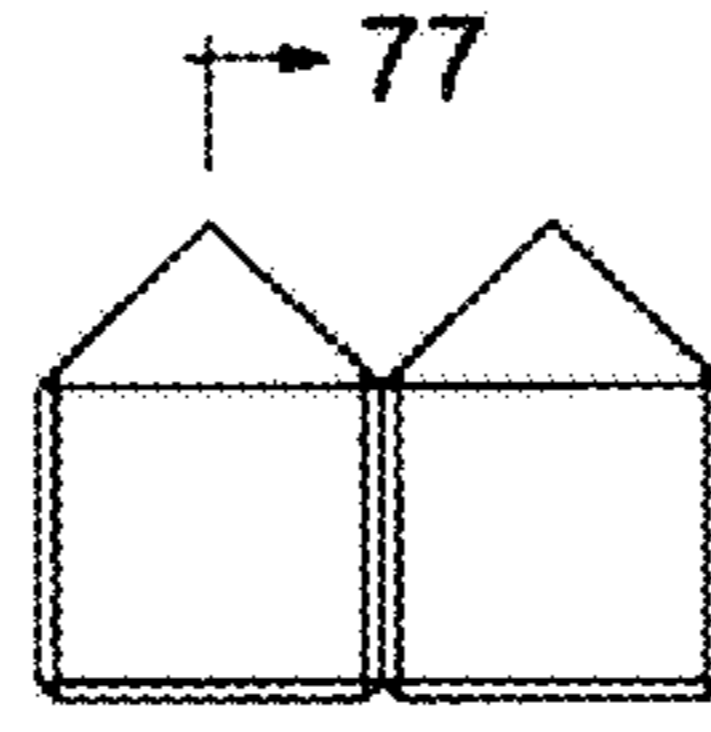


FIG. 75

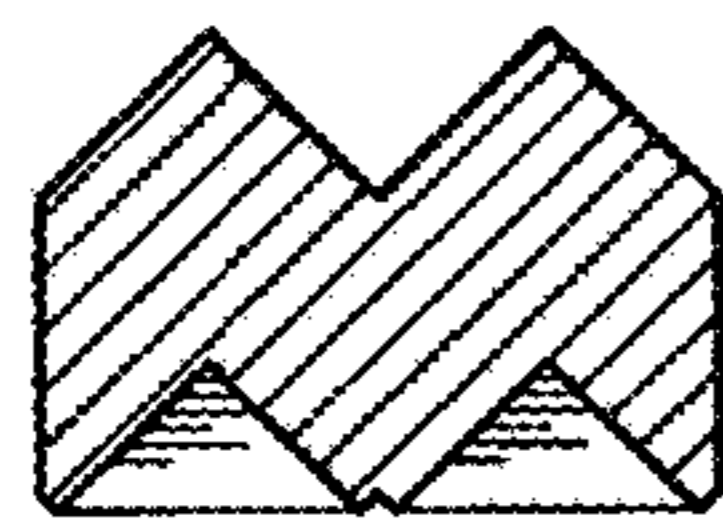


FIG. 70

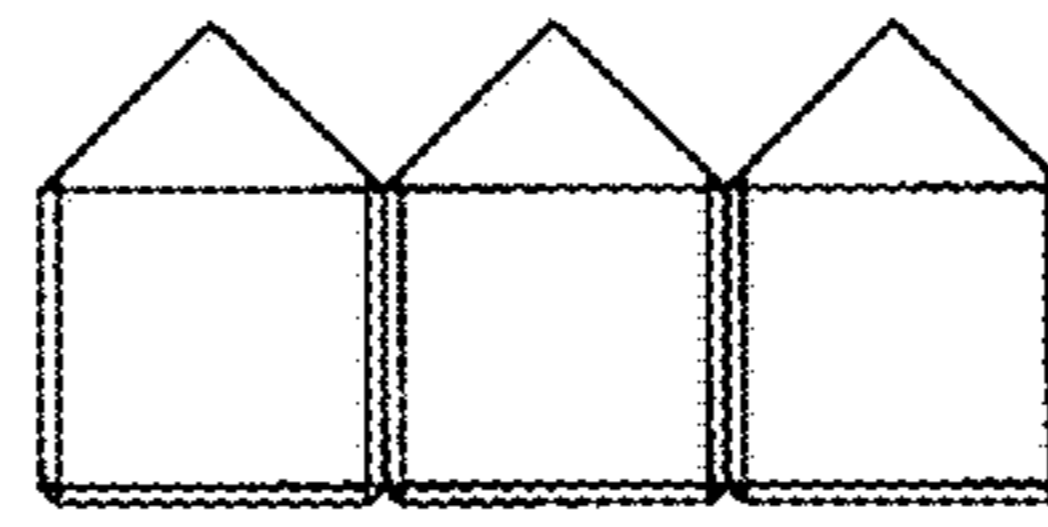


FIG. 76

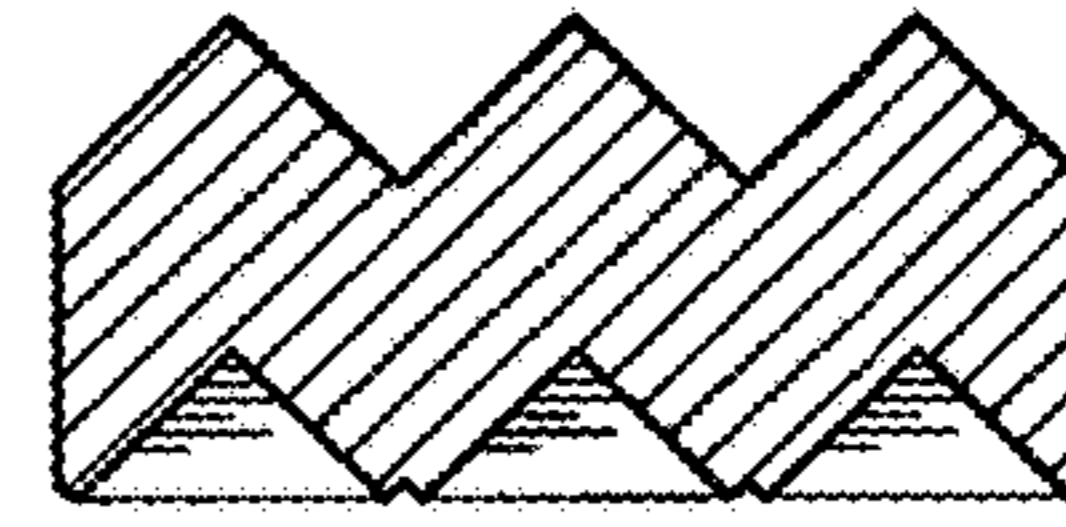


FIG. 77

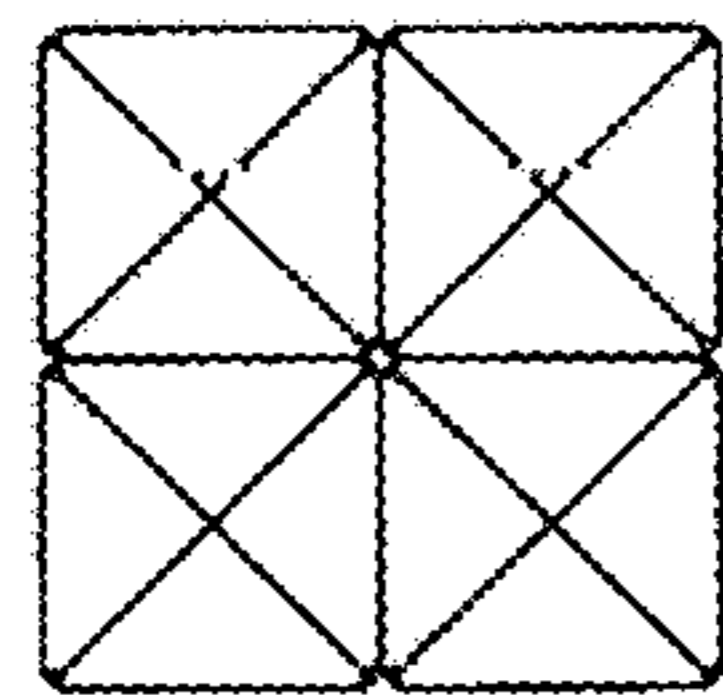


FIG. 71

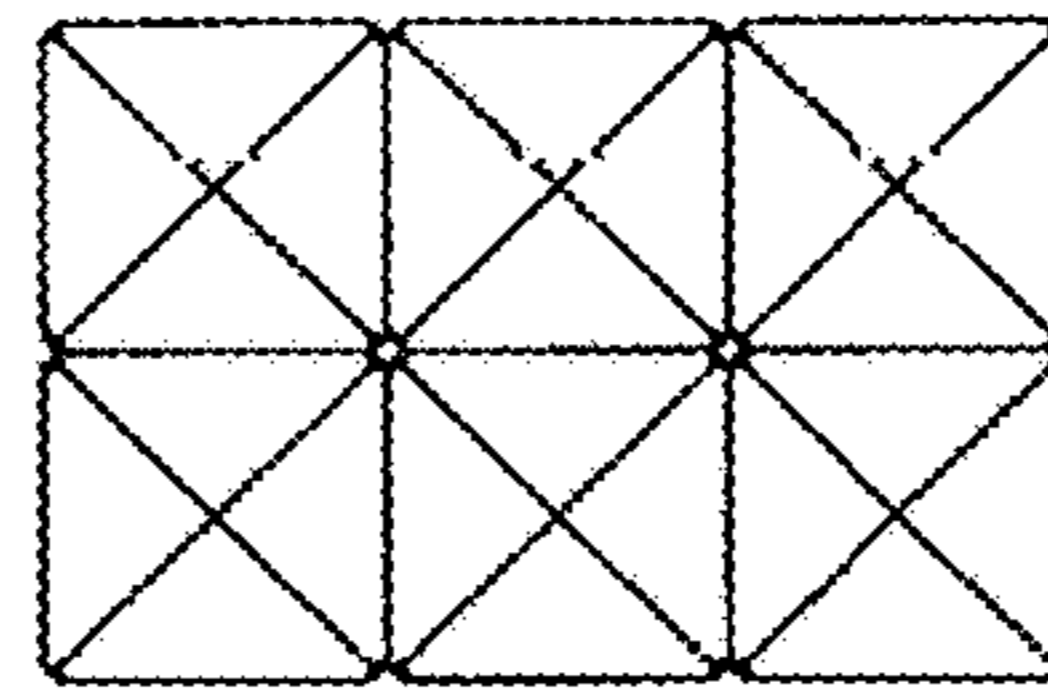


FIG. 78

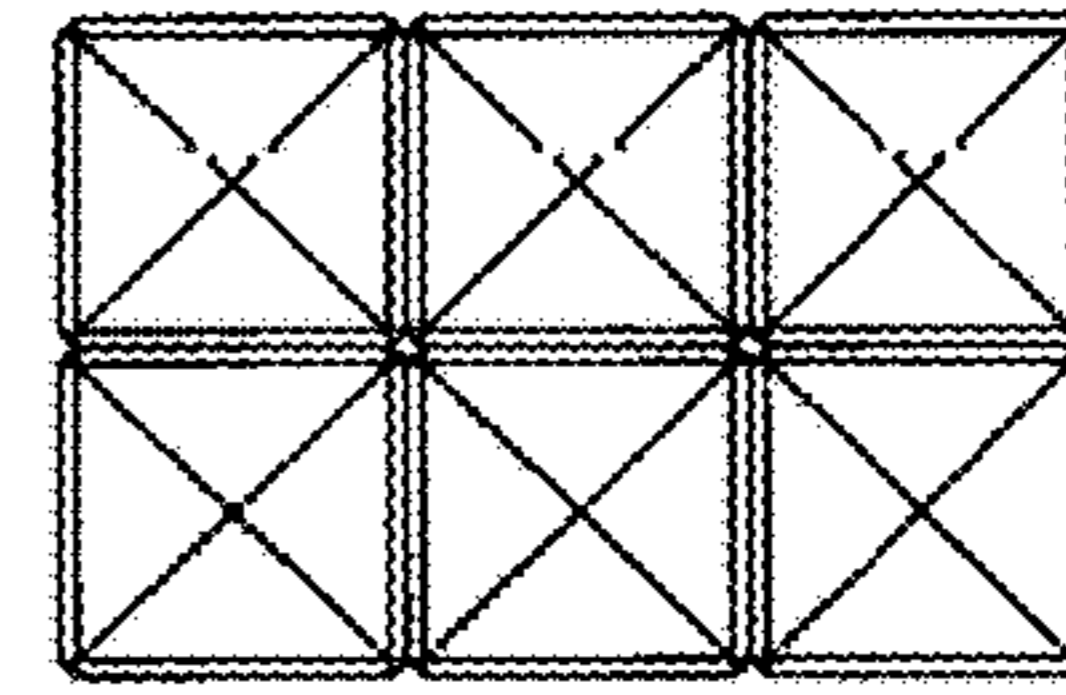


FIG. 79

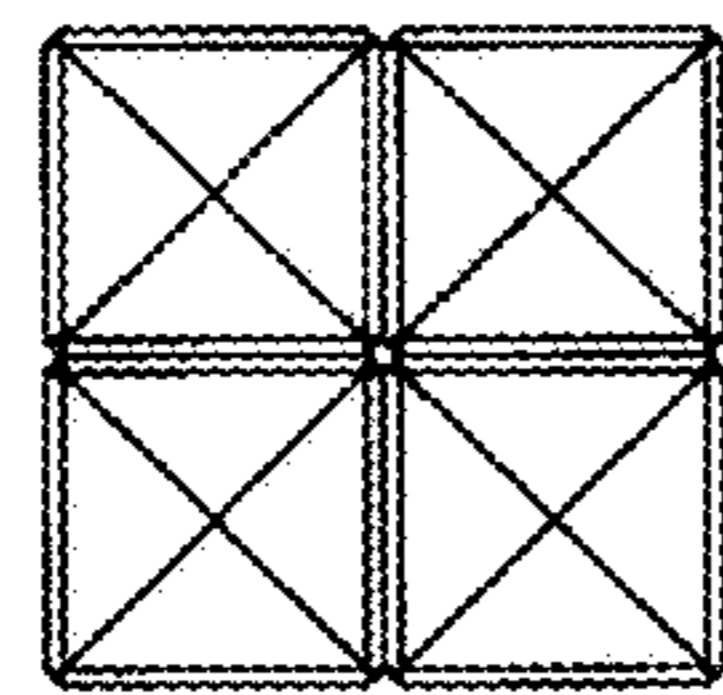


FIG. 72

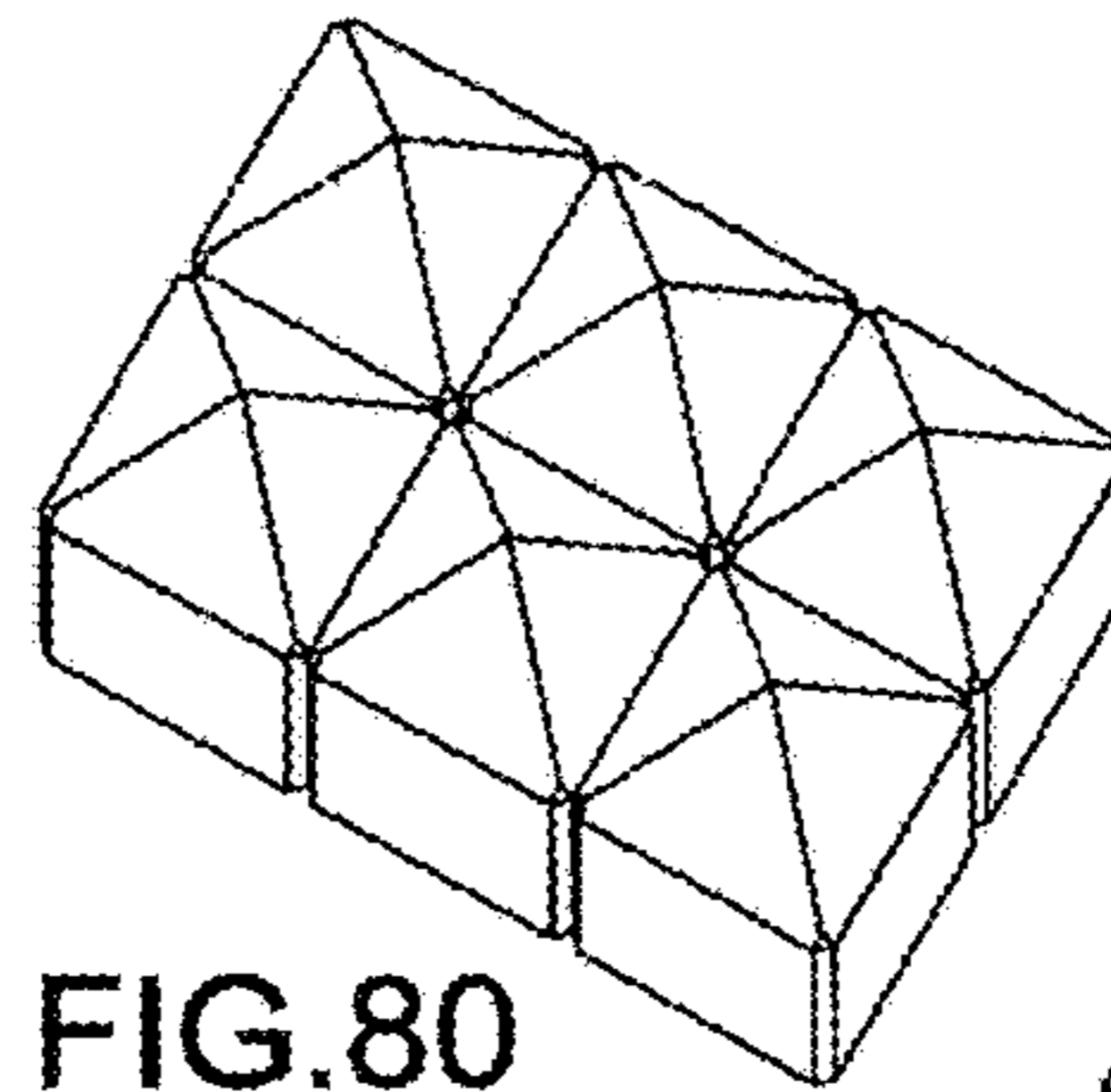


FIG. 80

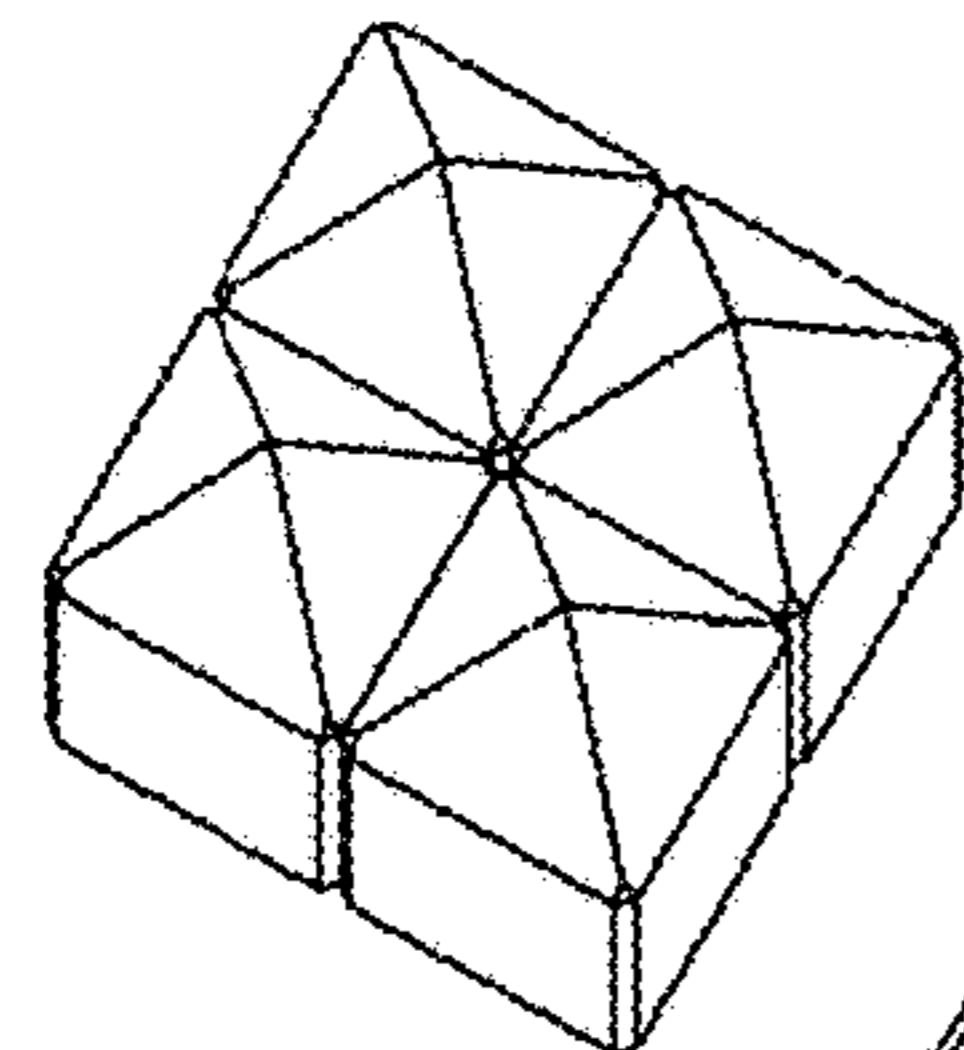


FIG. 73

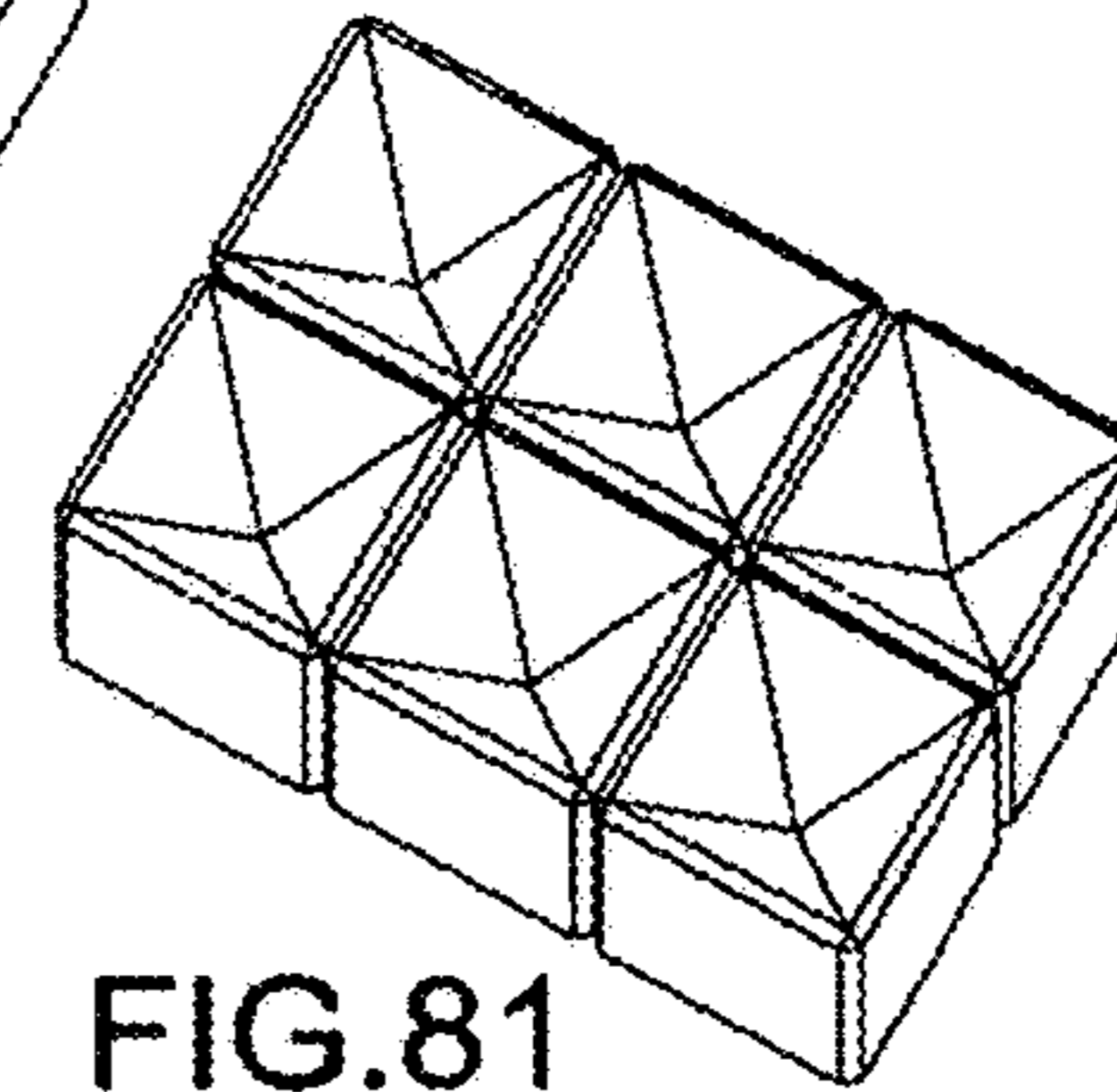


FIG. 81

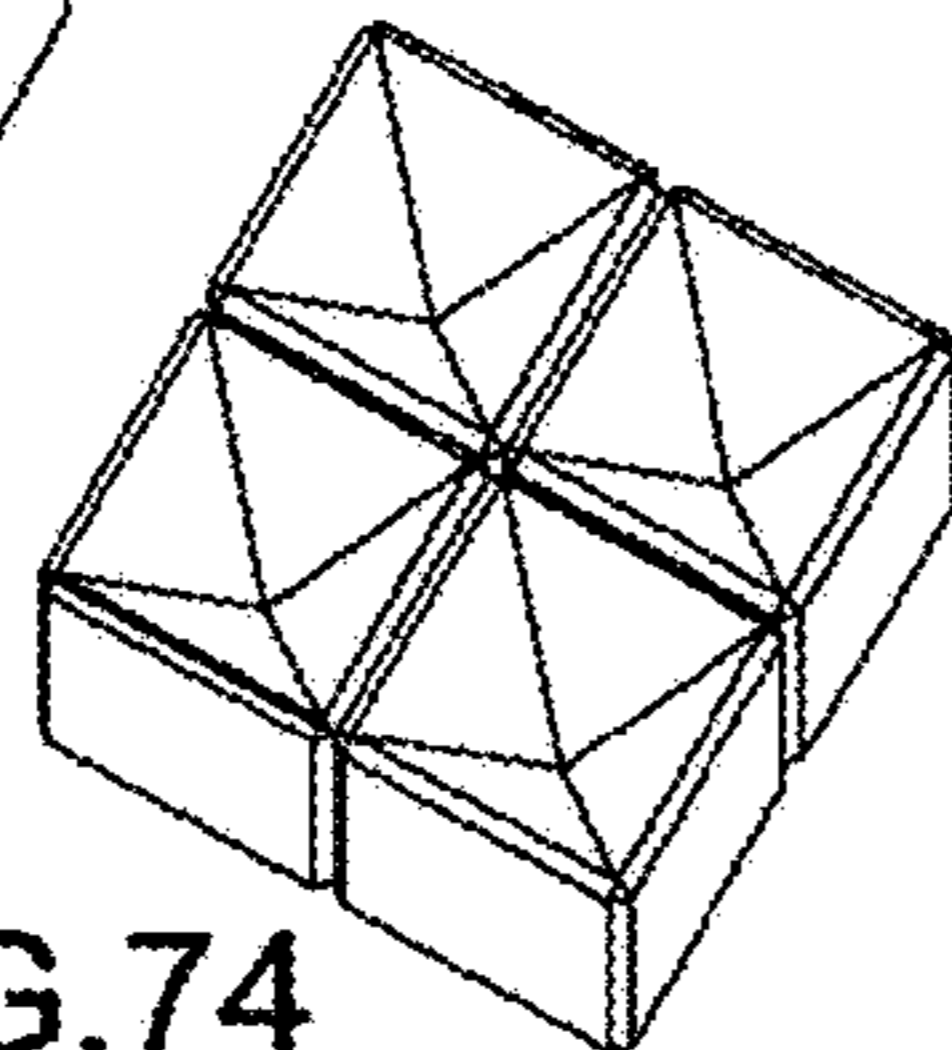


FIG. 74

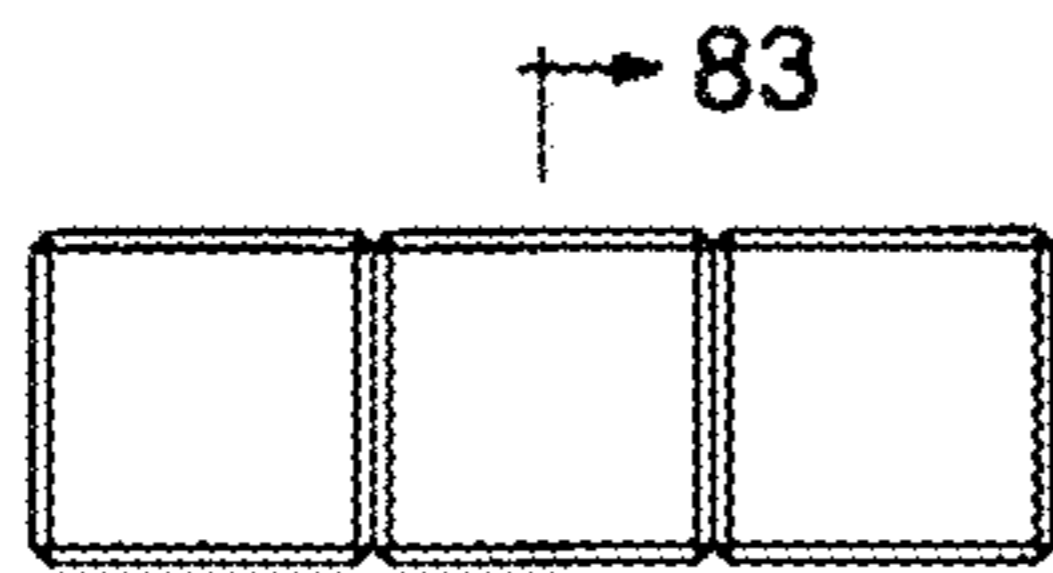


FIG. 82

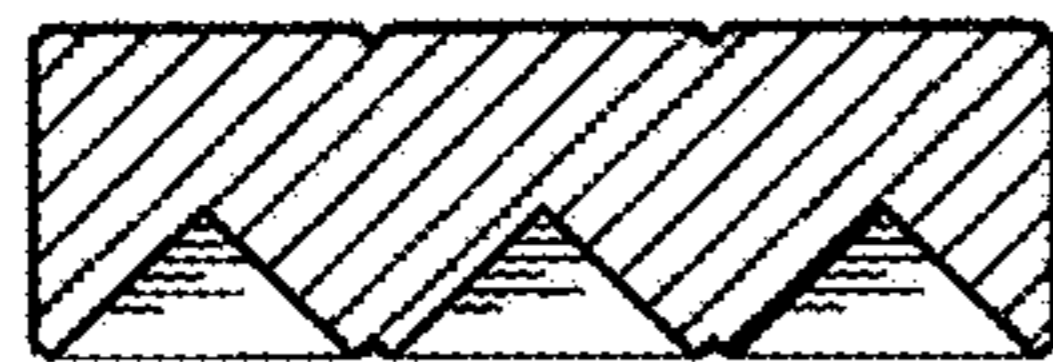


FIG. 83

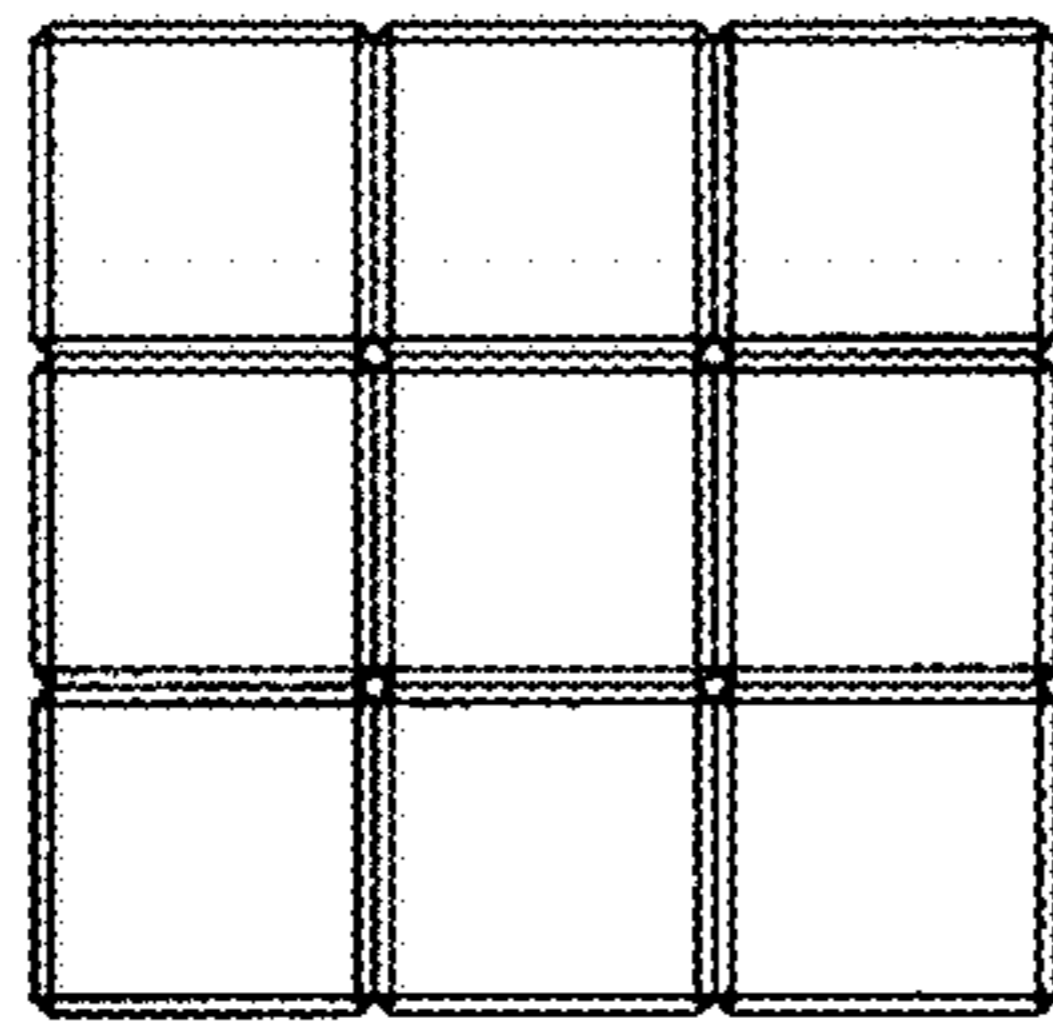


FIG. 84

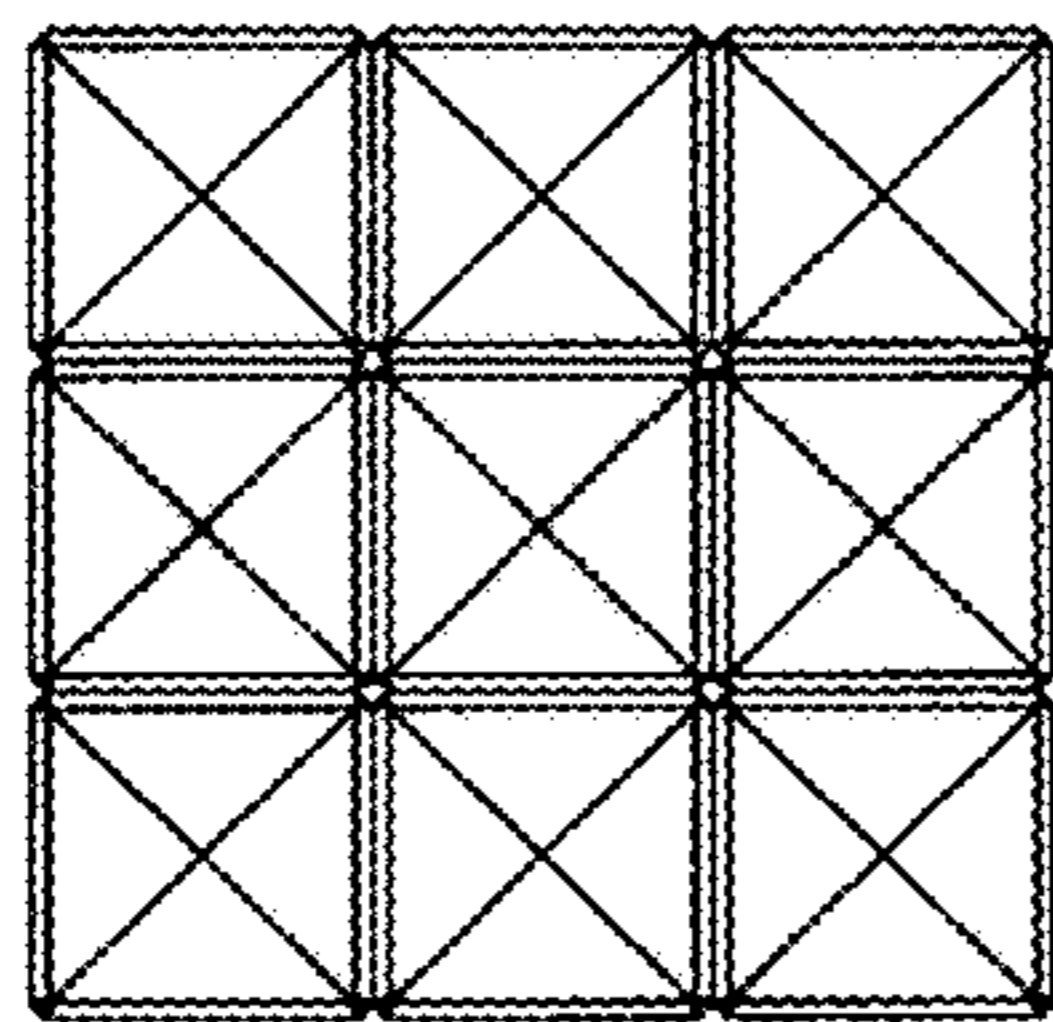


FIG. 85

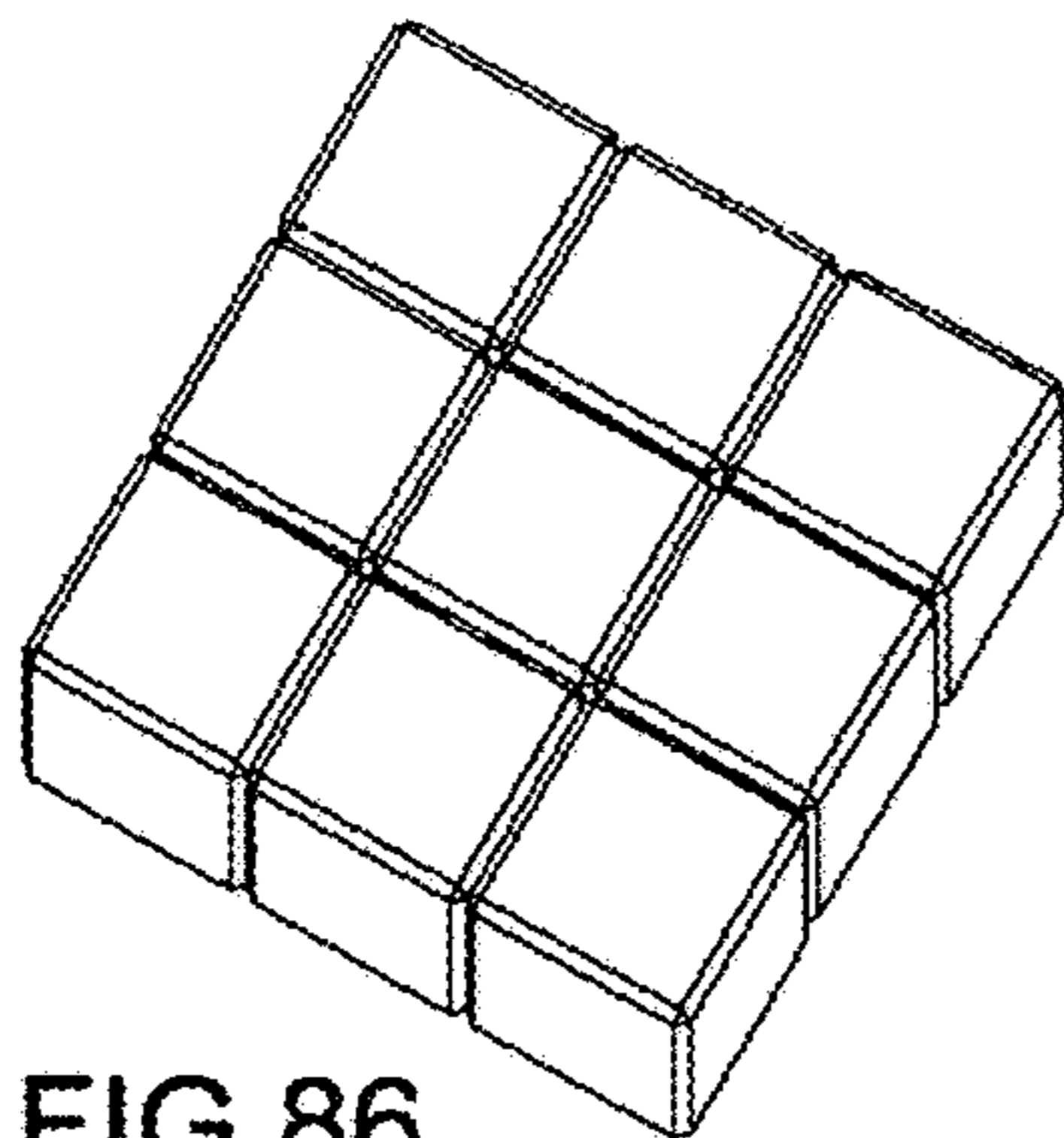


FIG. 86

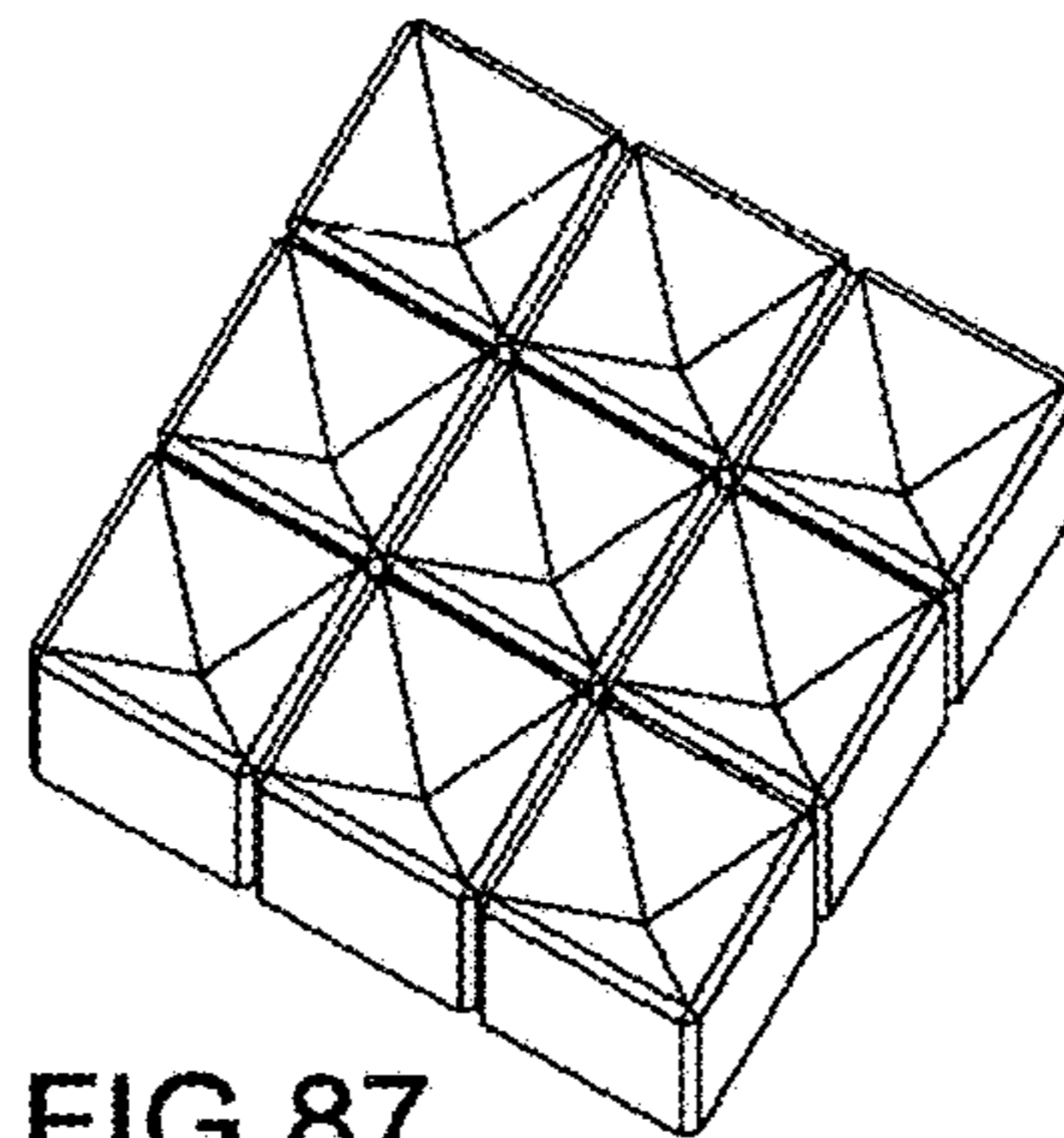
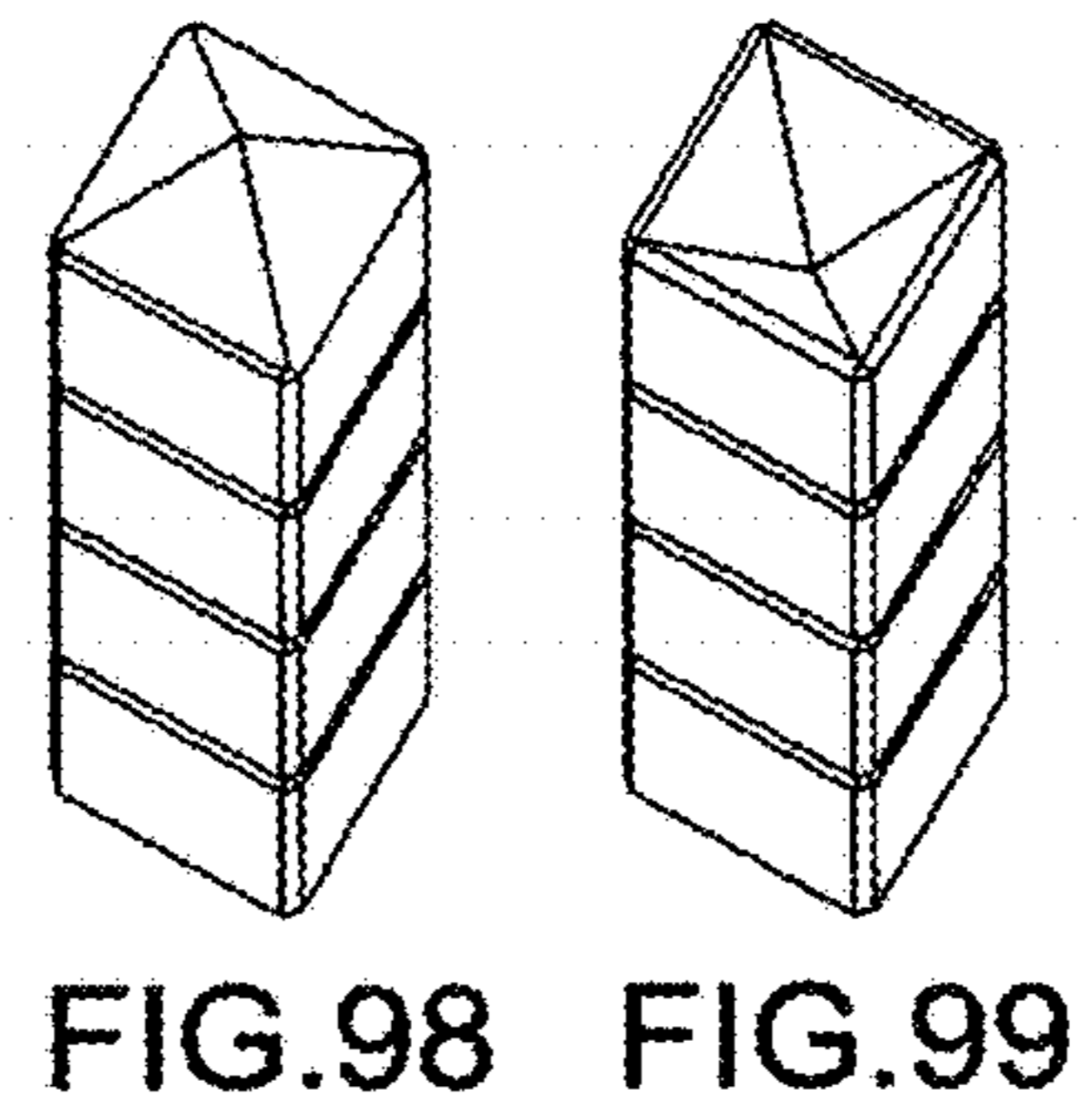
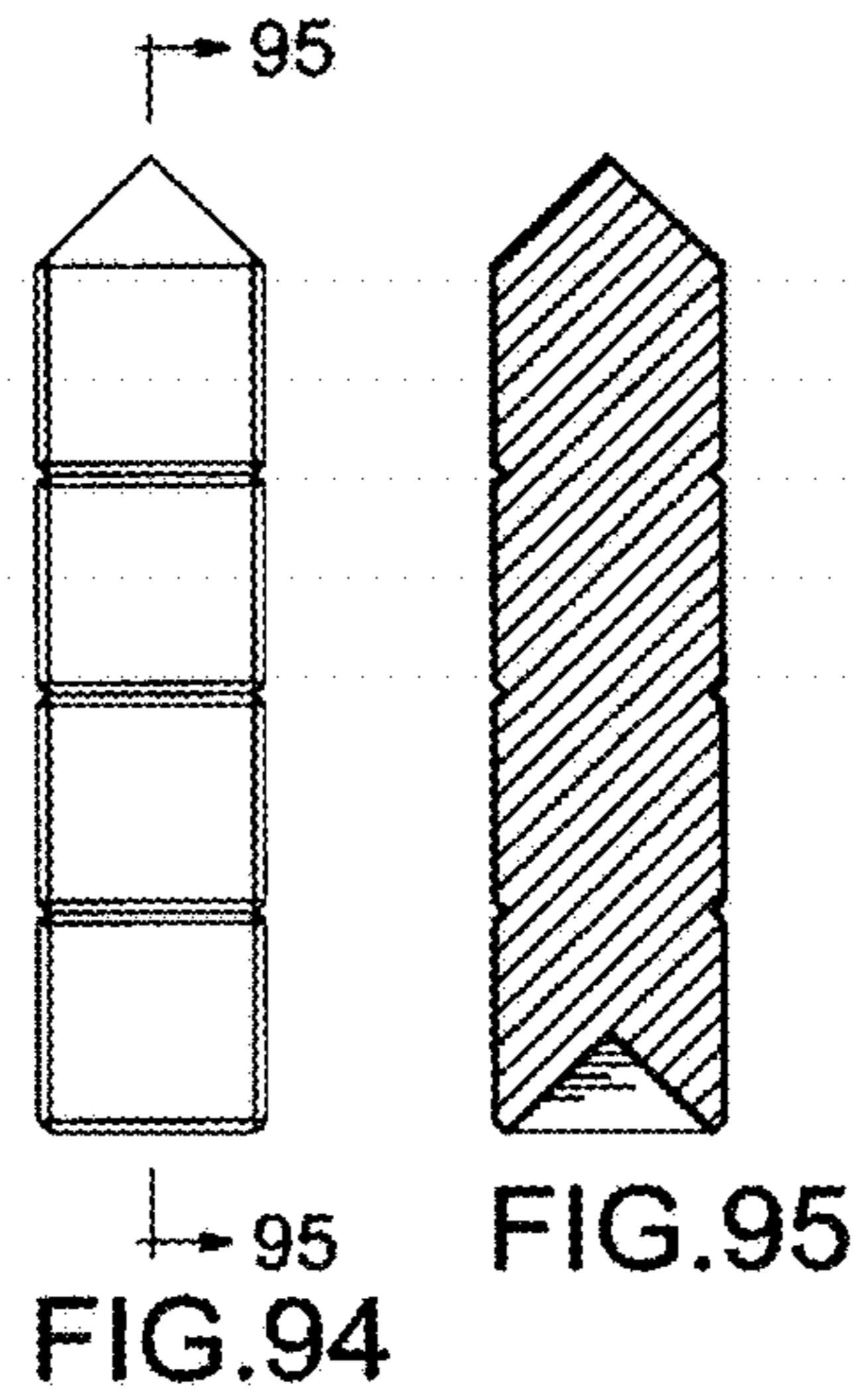
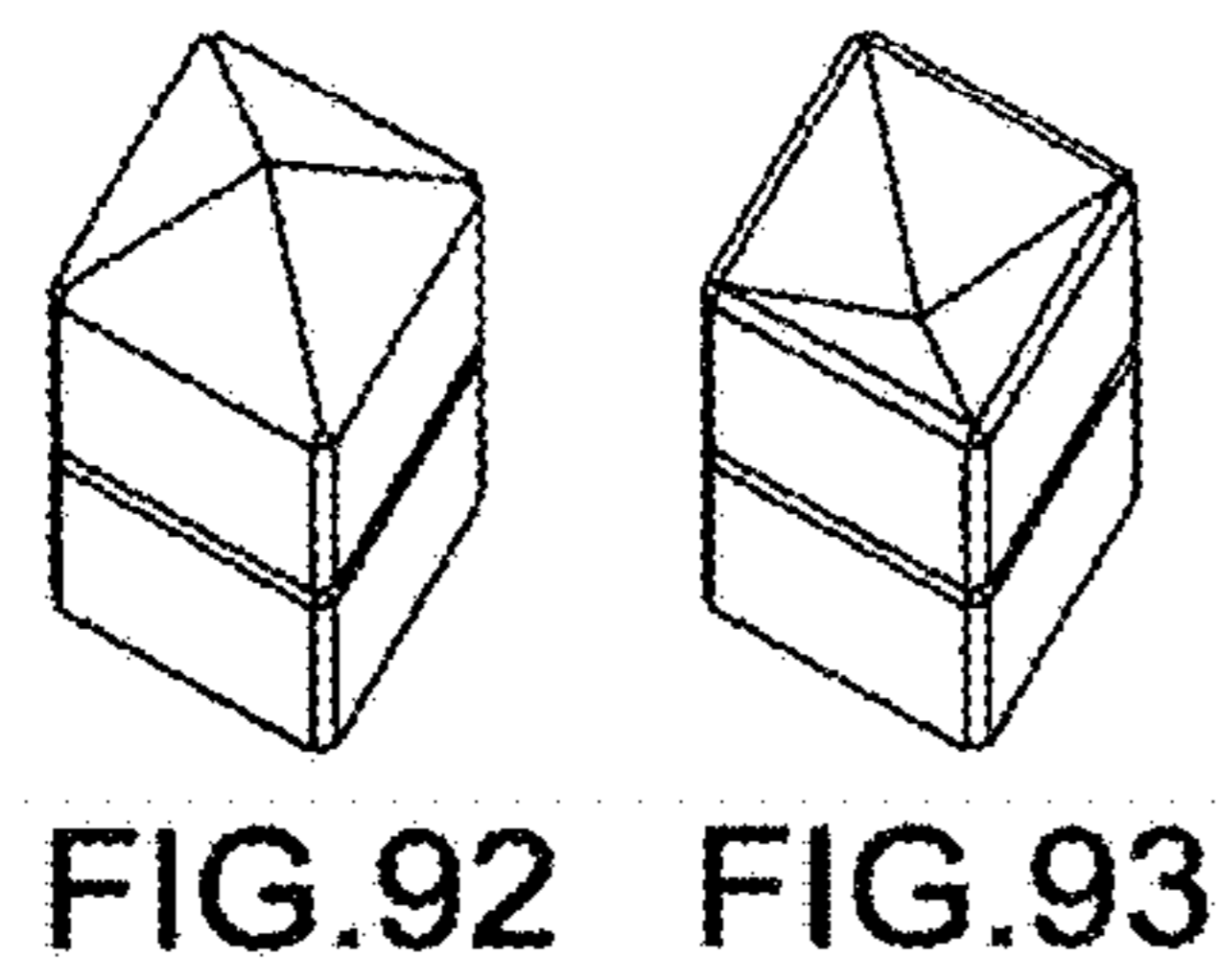
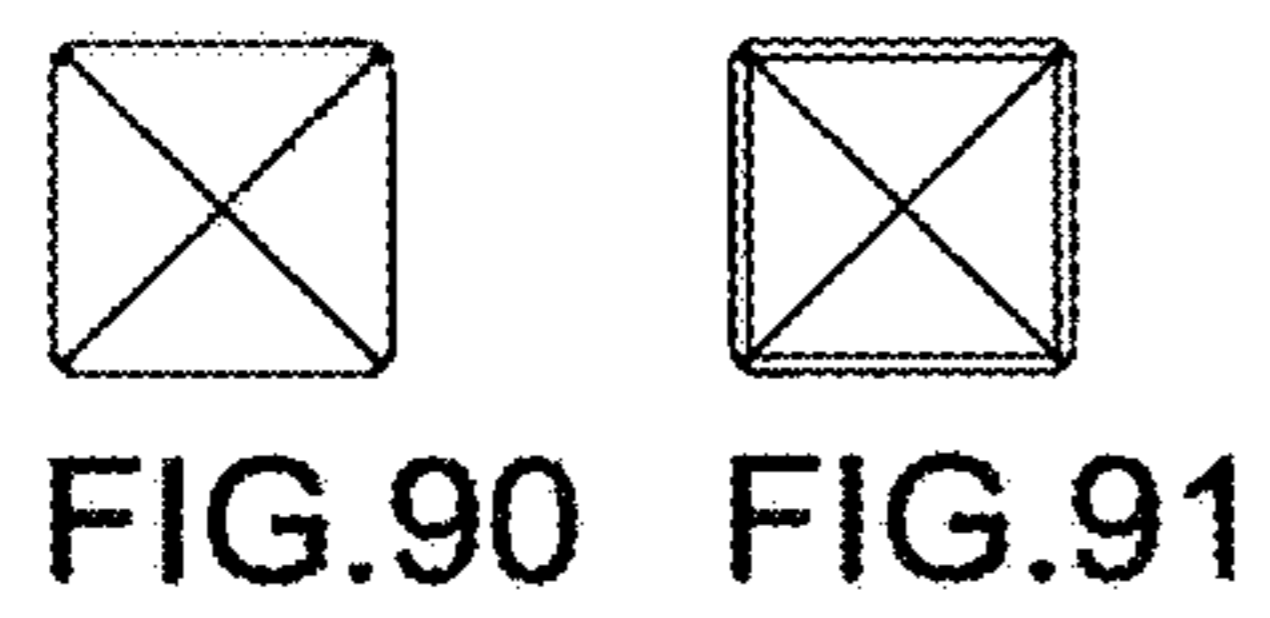
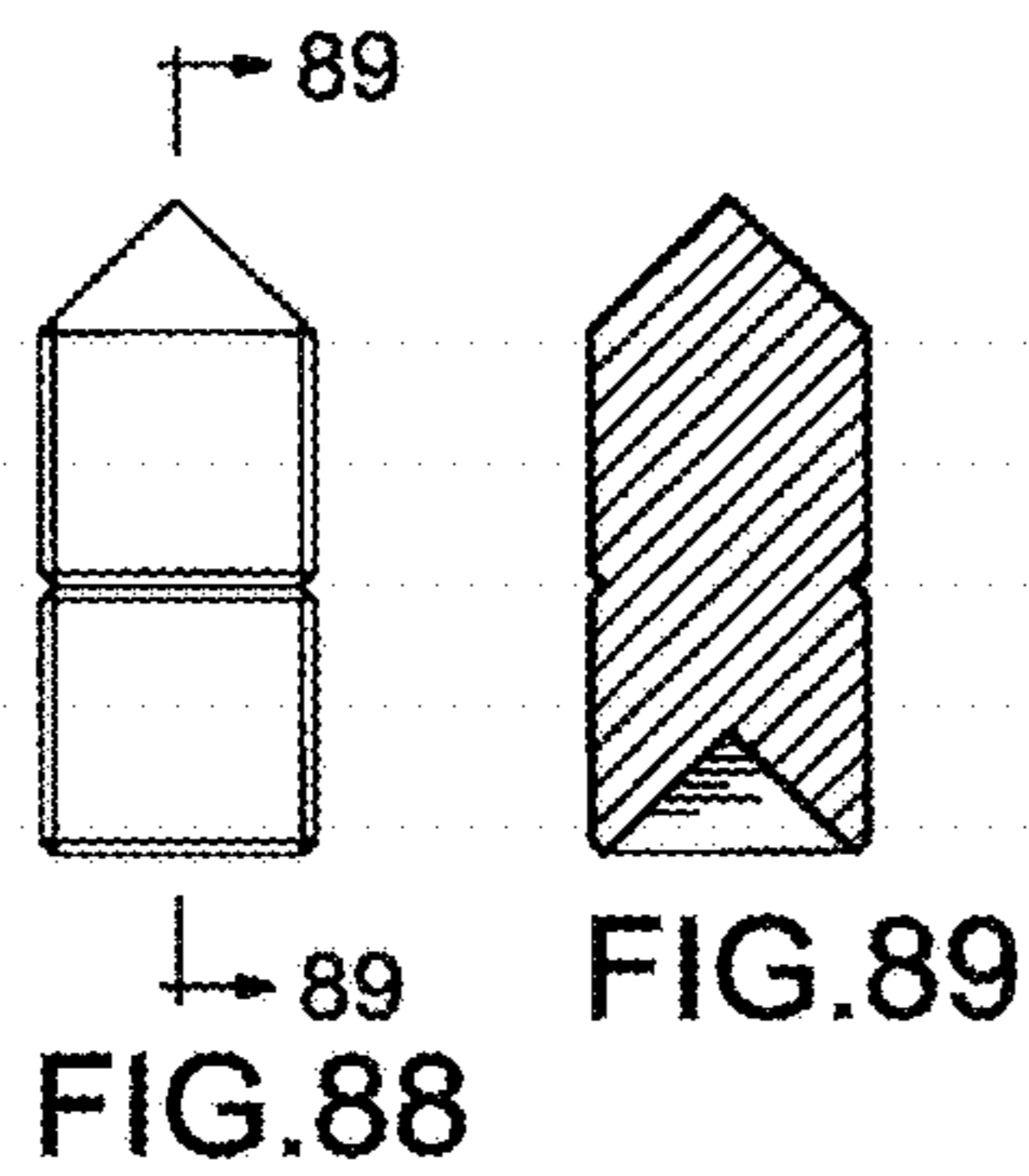
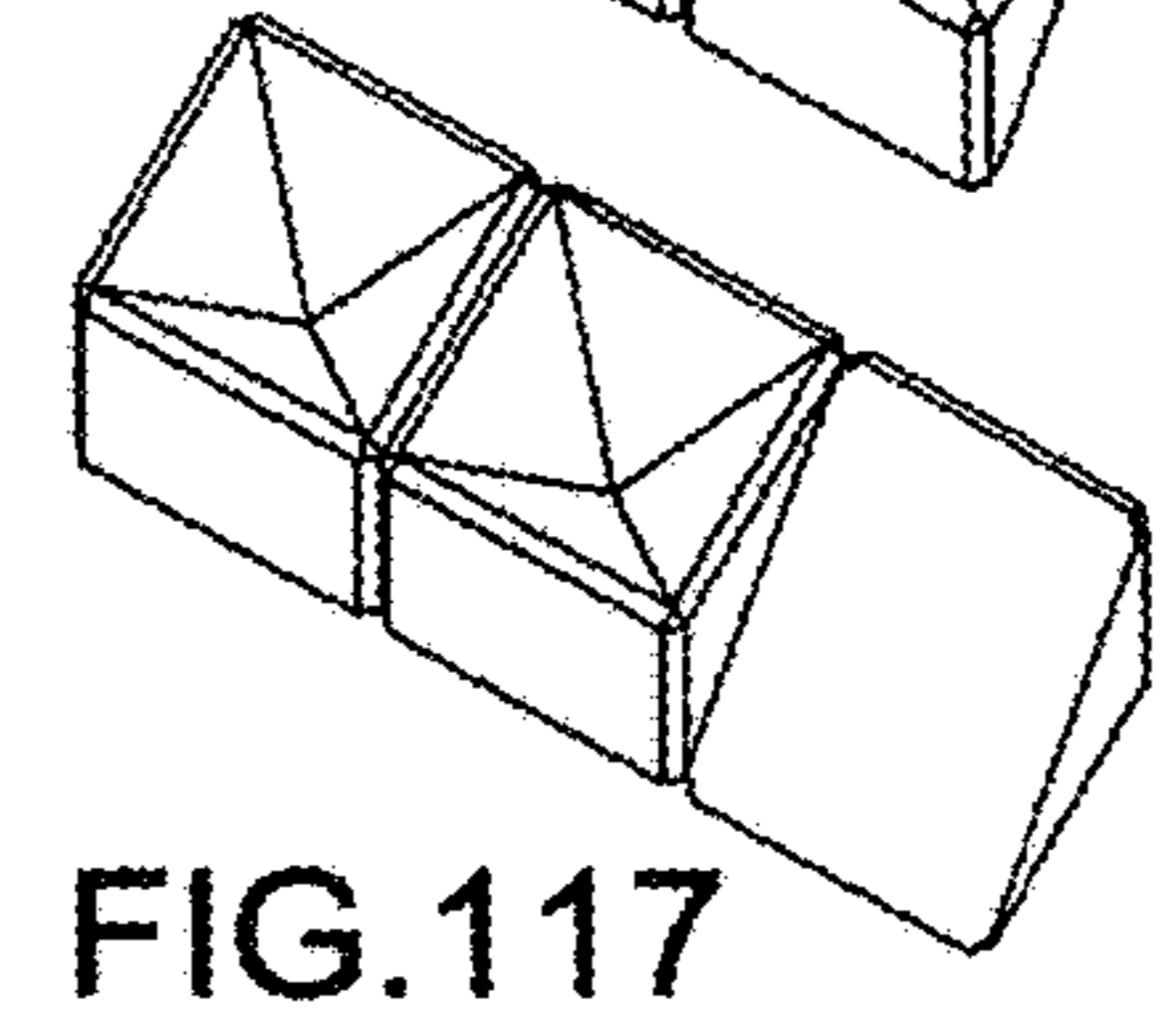
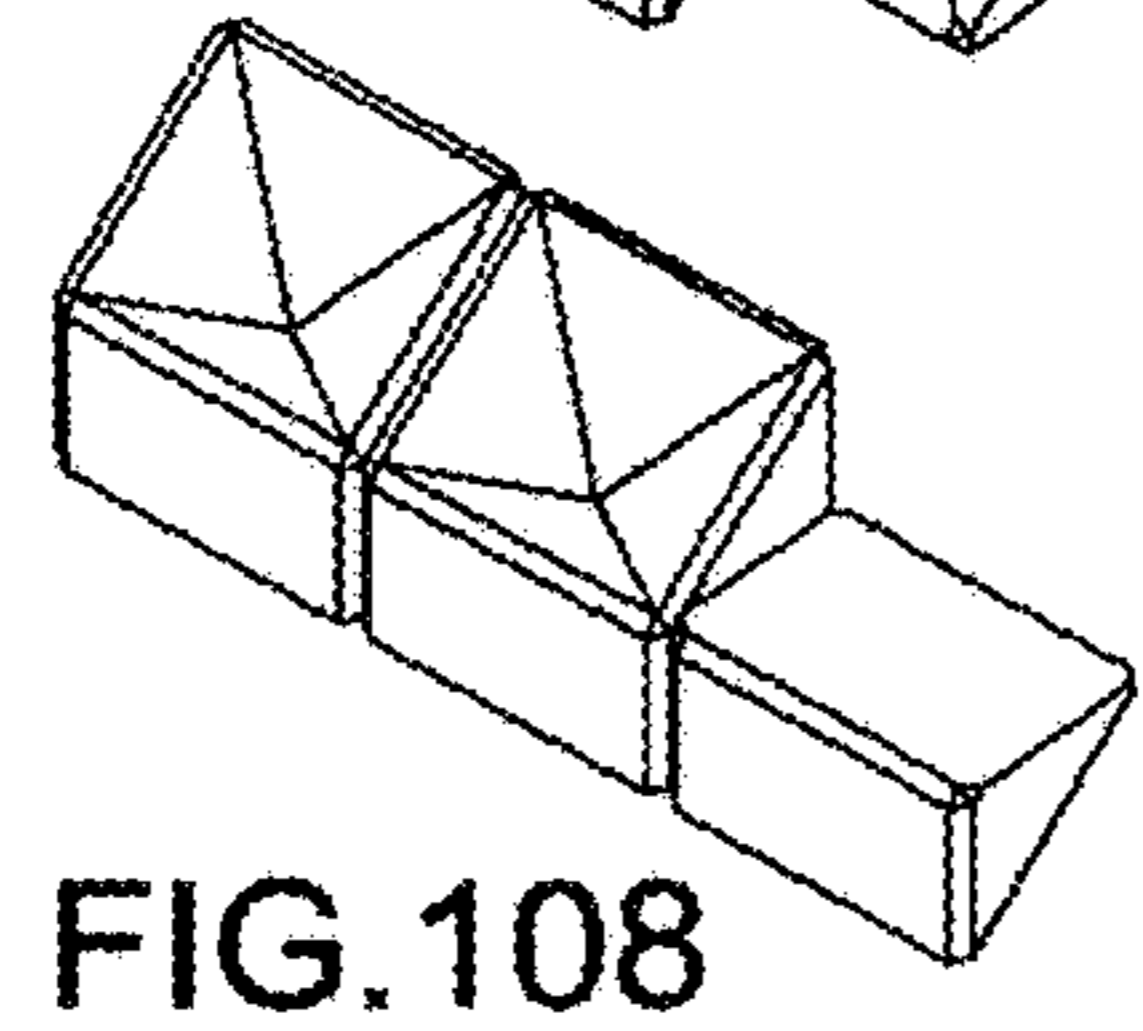
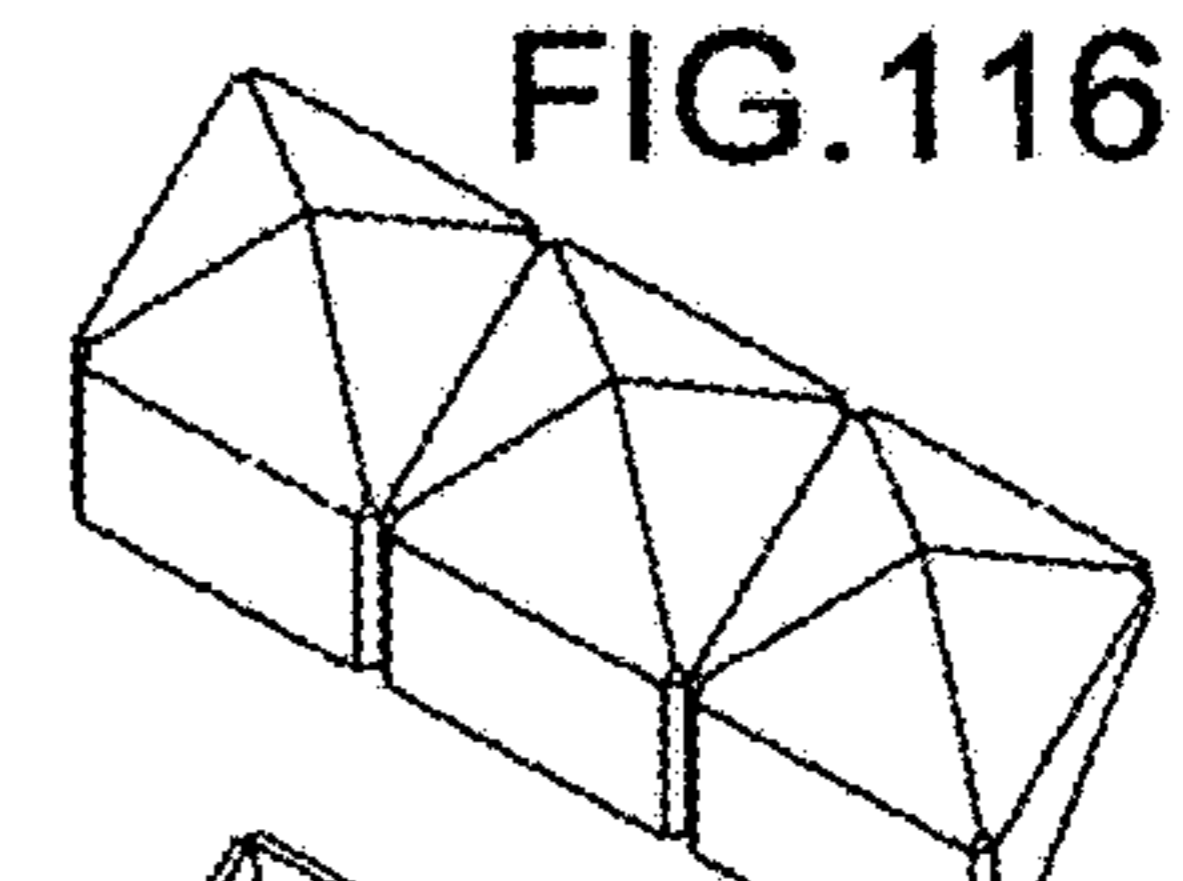
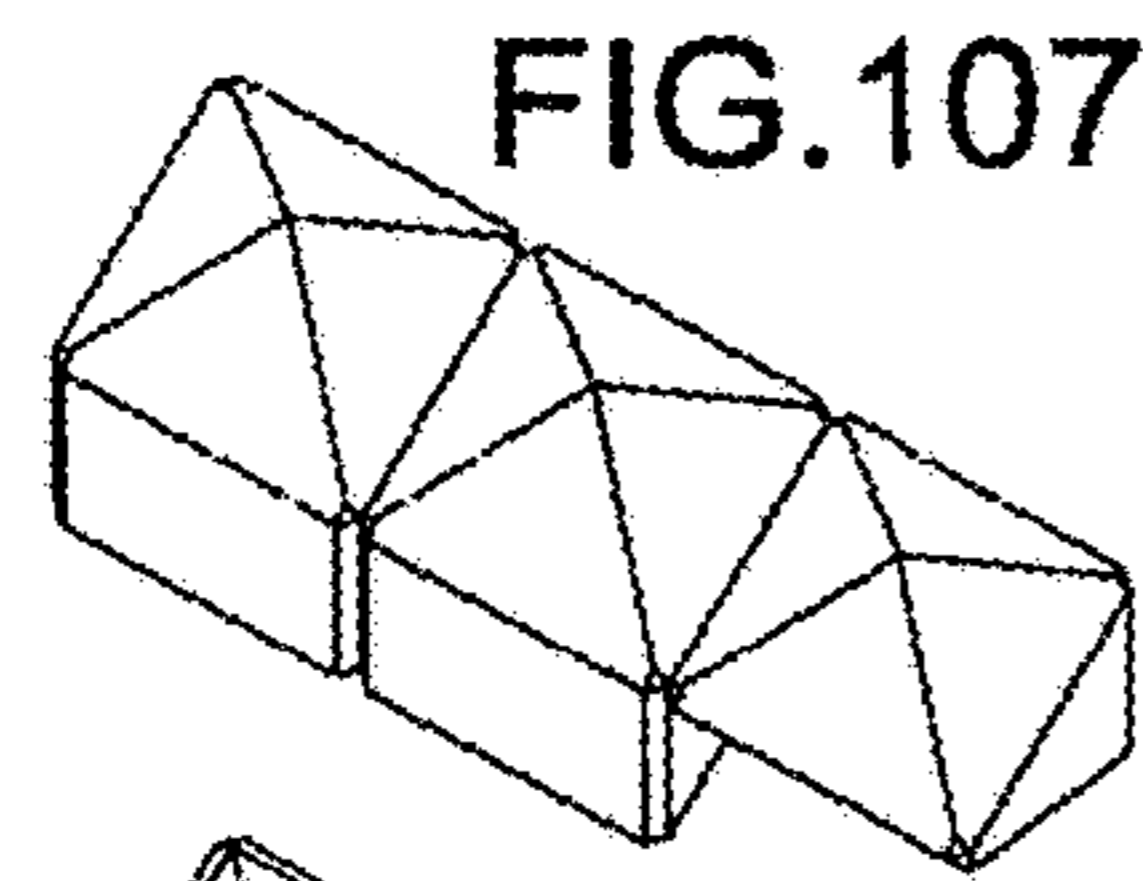
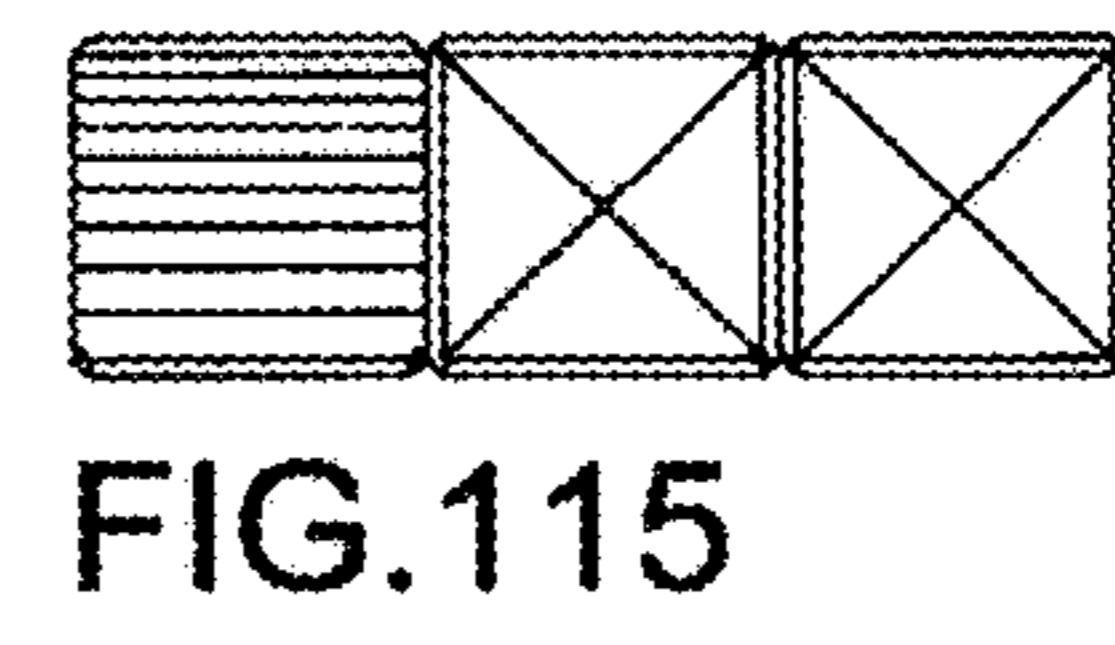
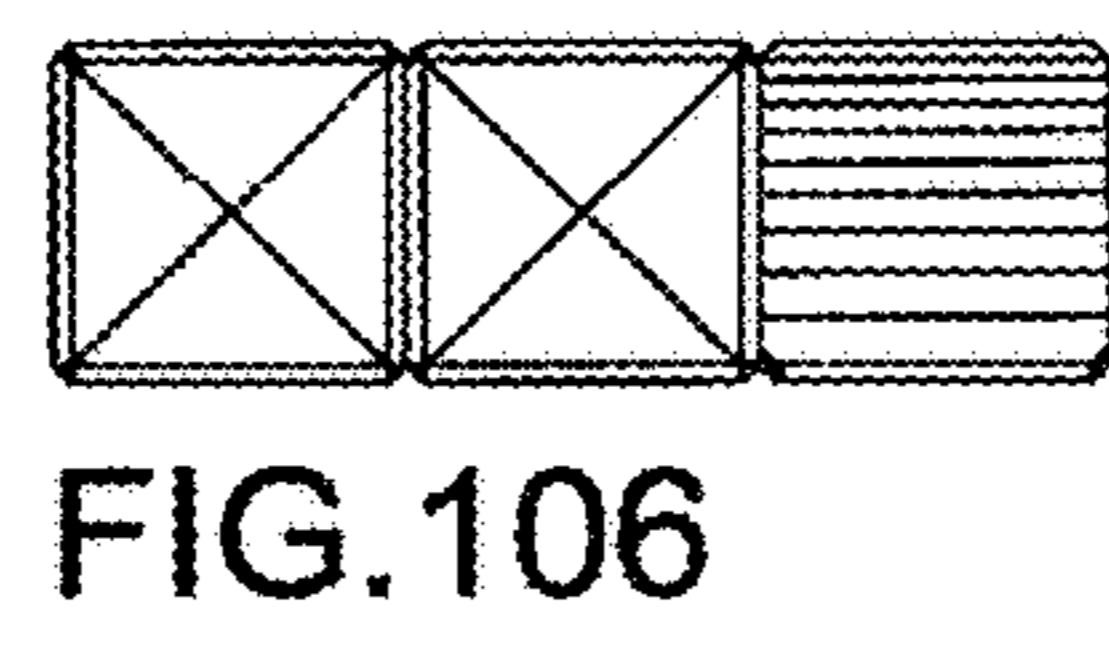
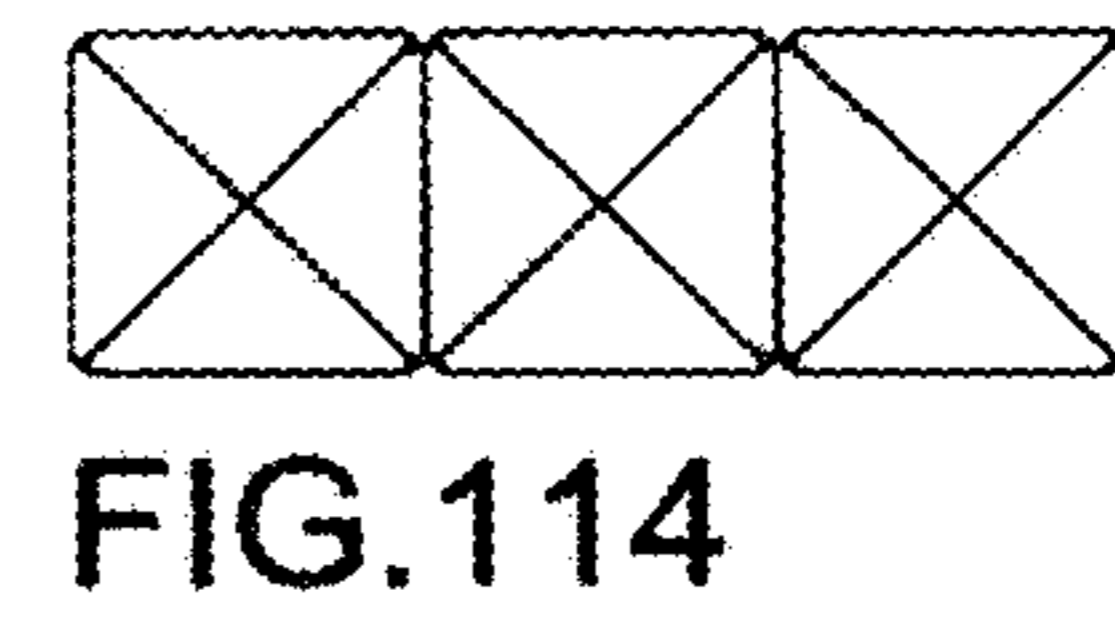
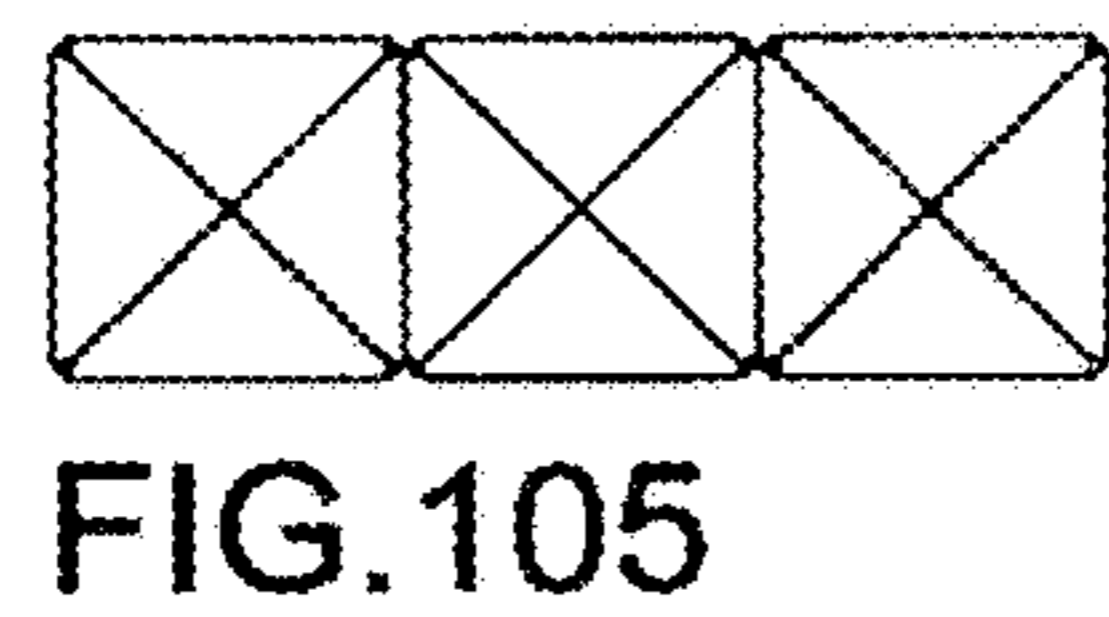
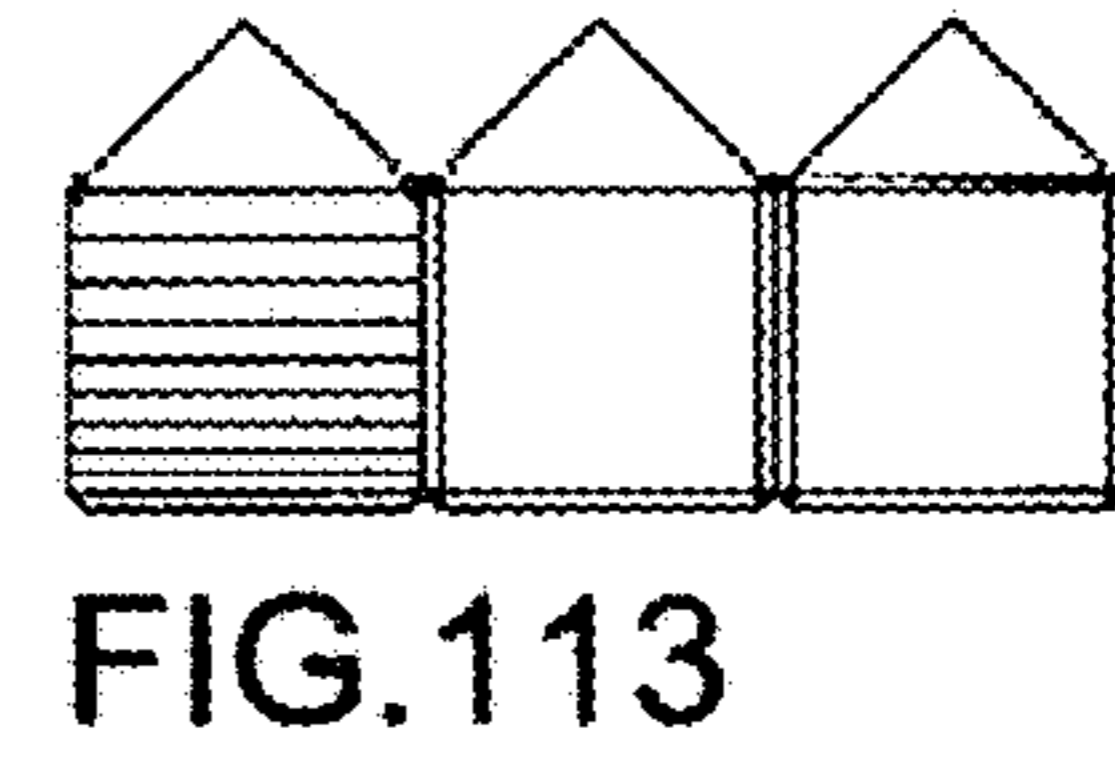
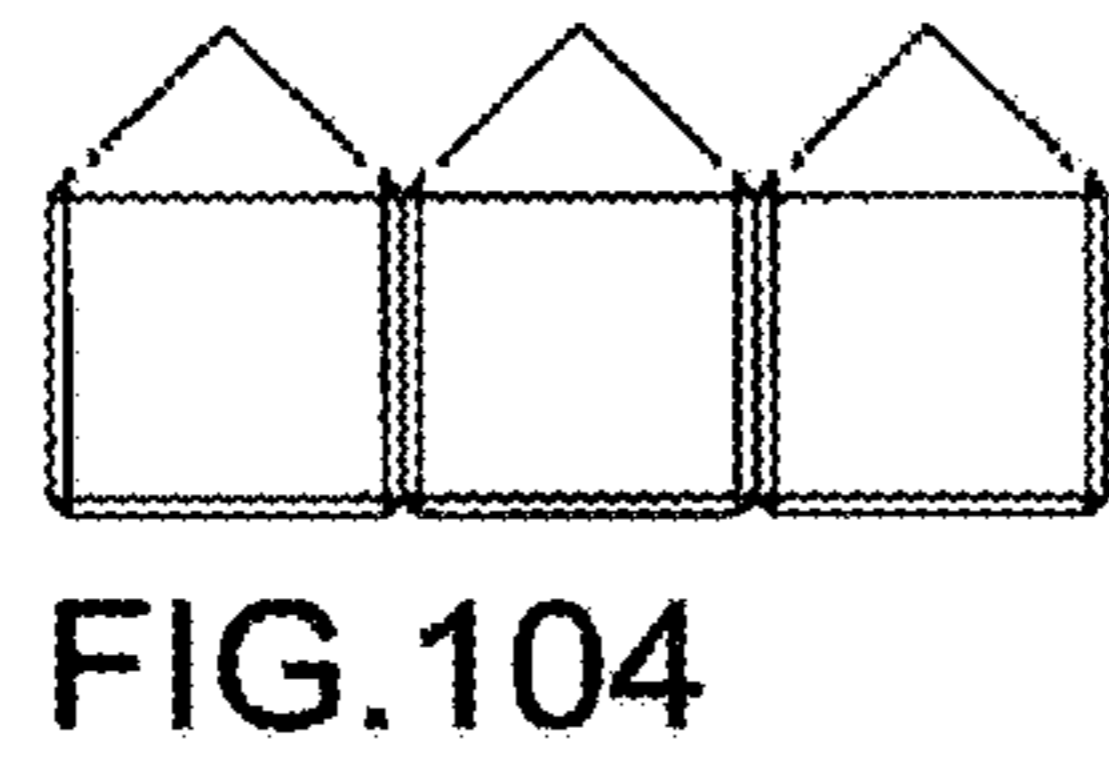
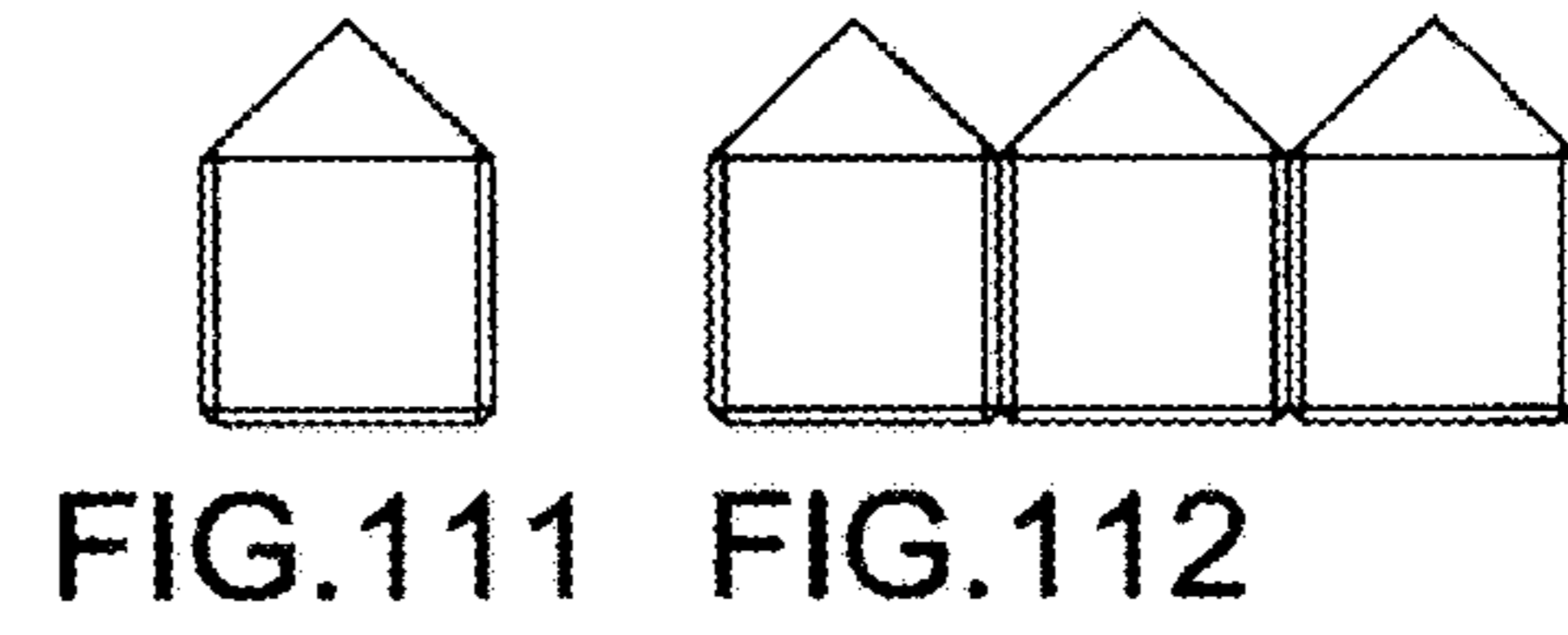
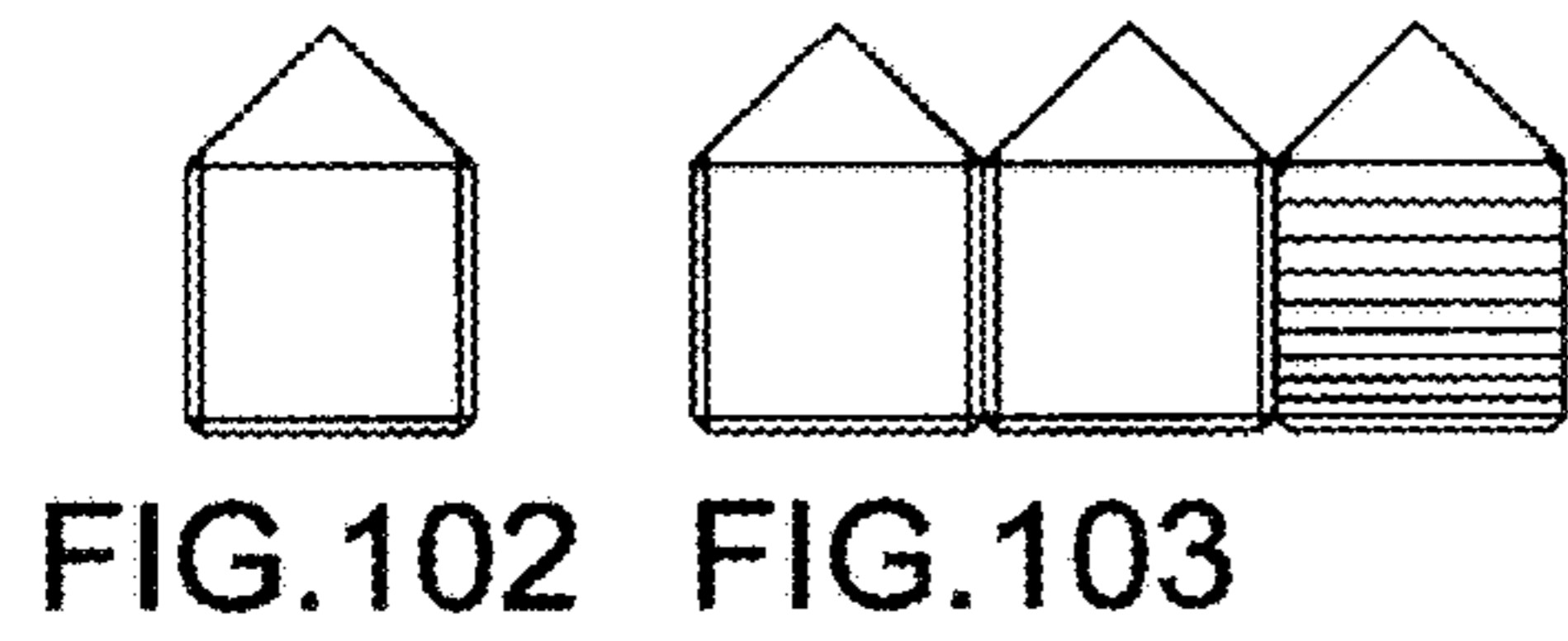
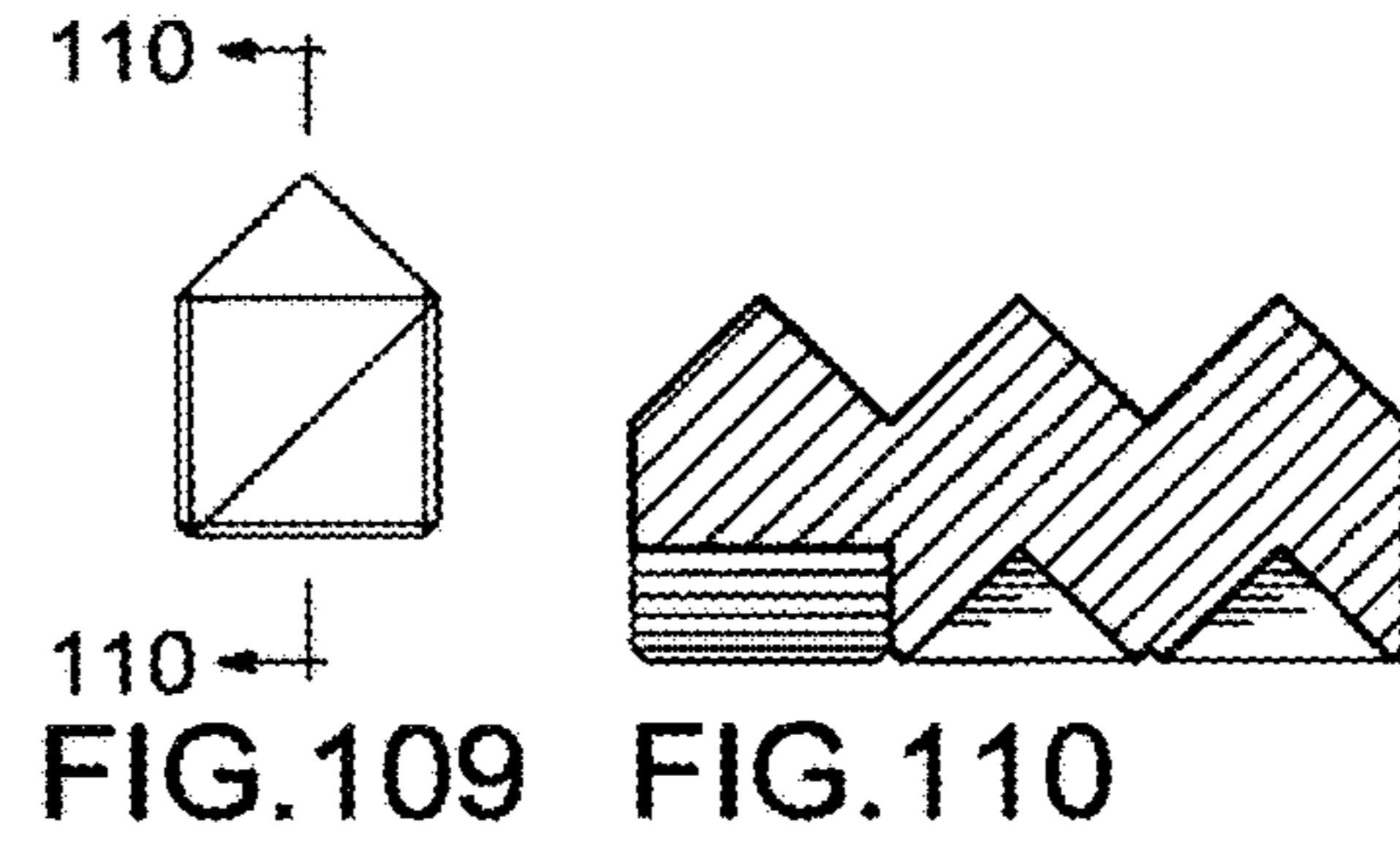
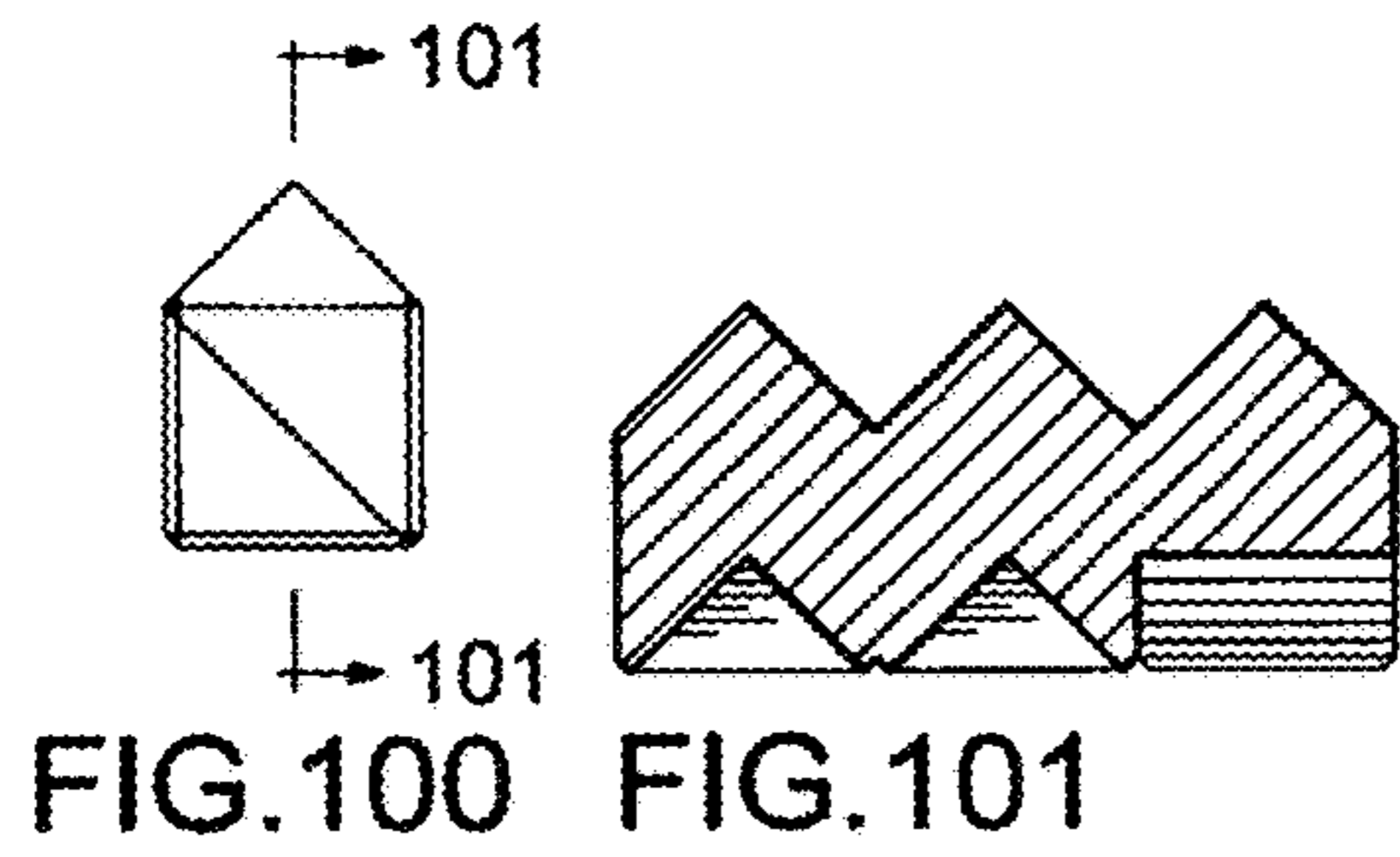
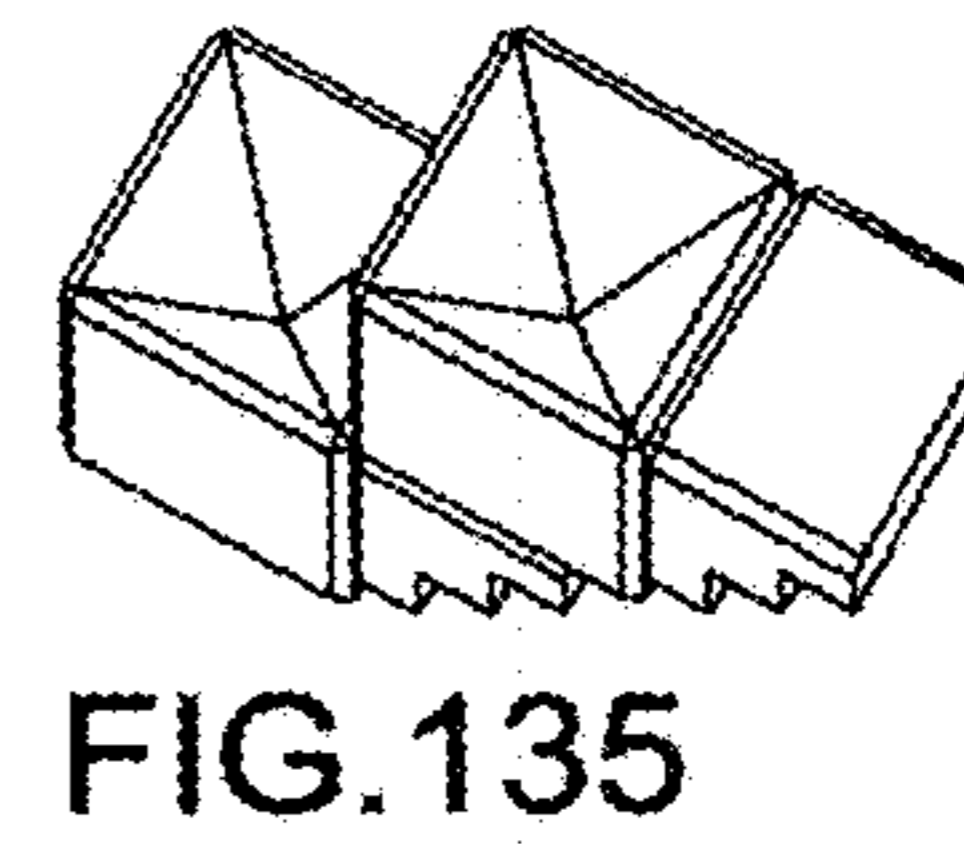
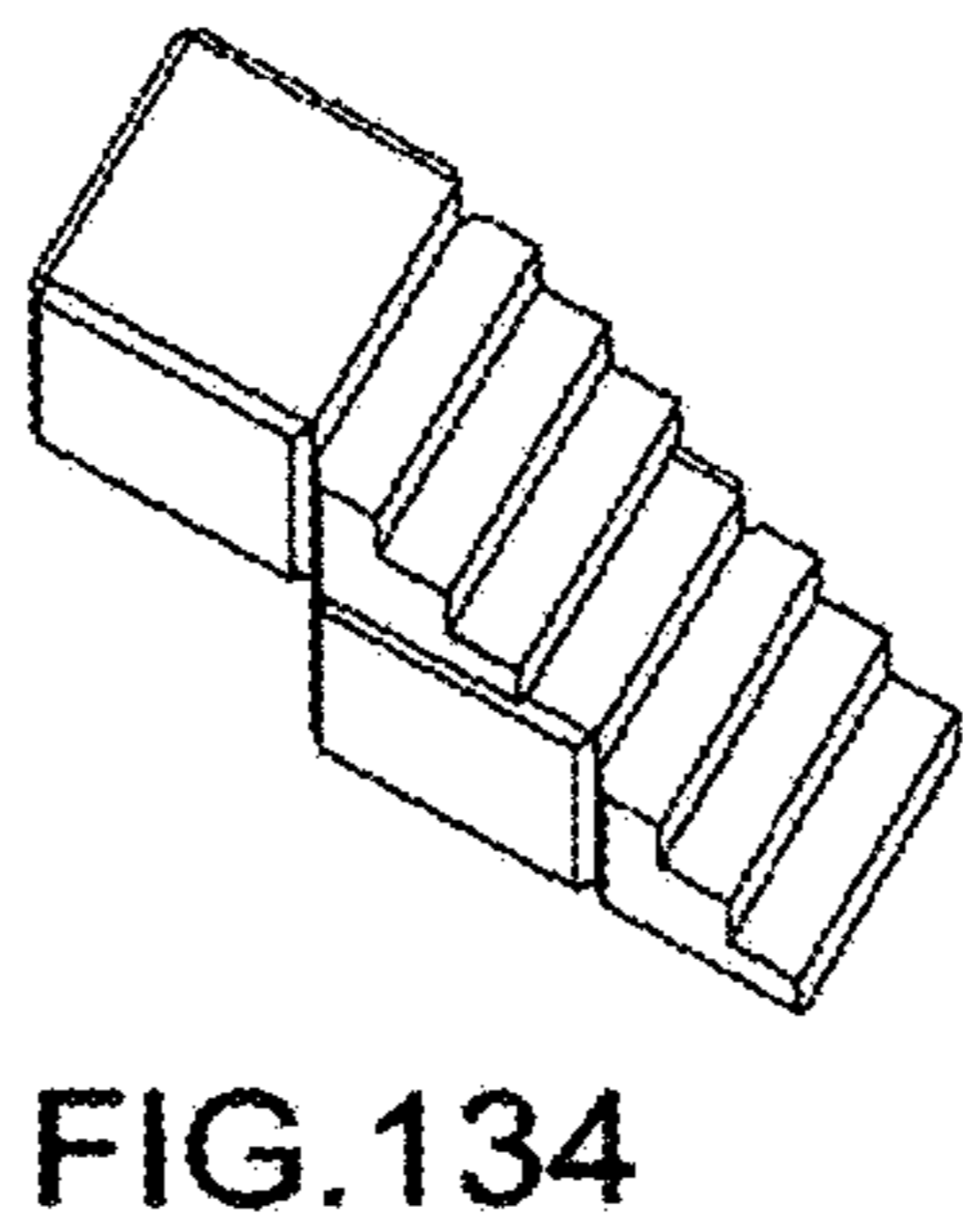
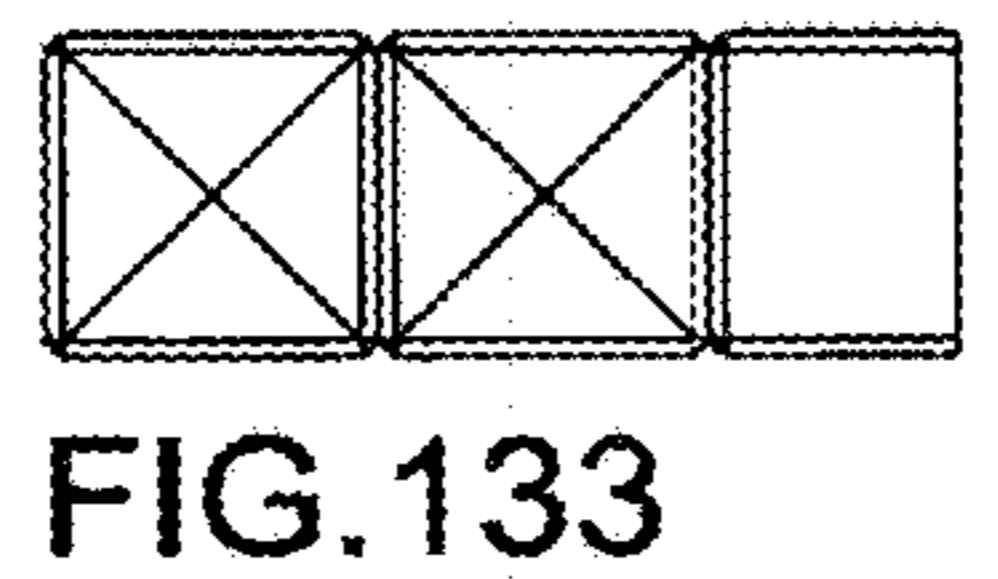
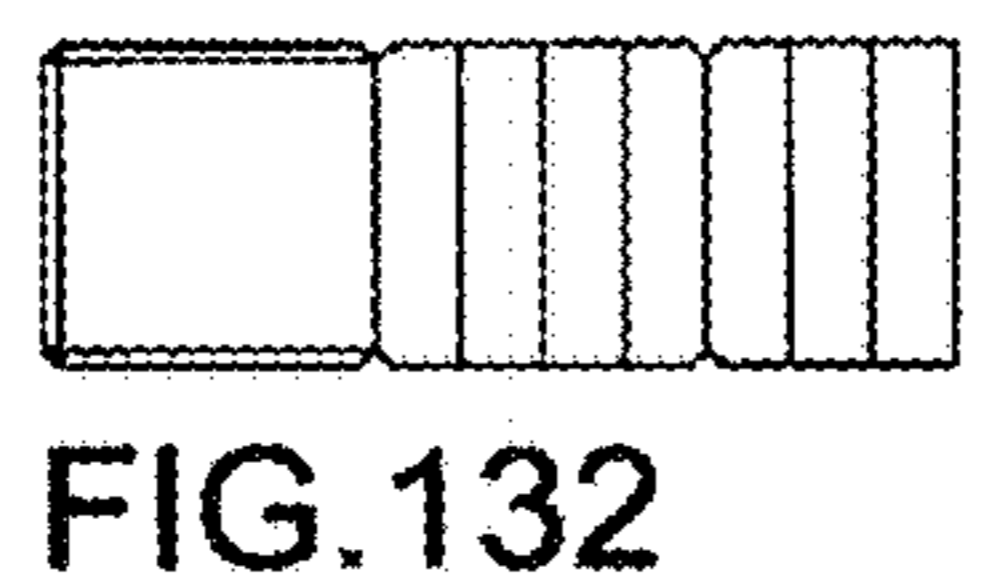
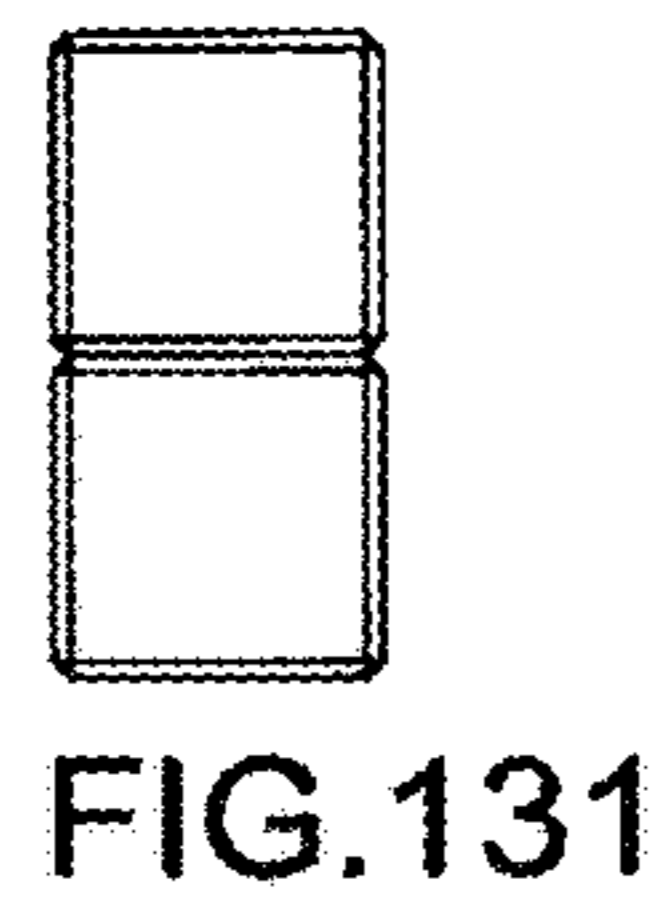
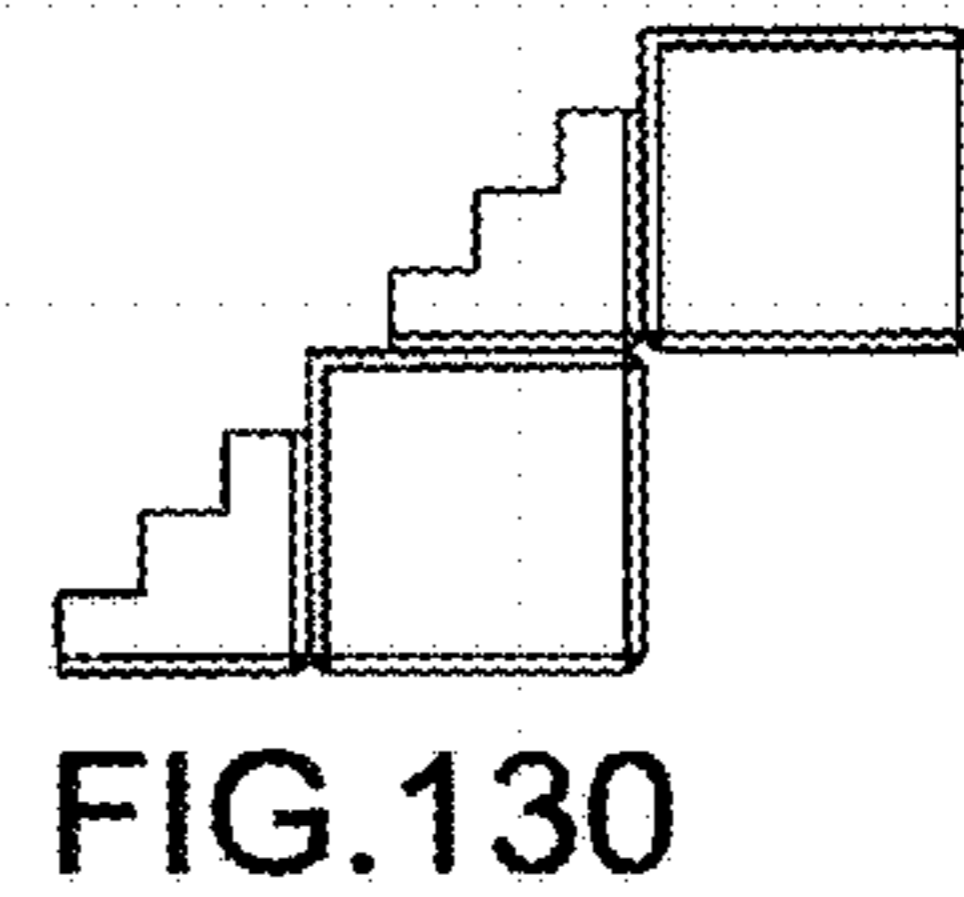
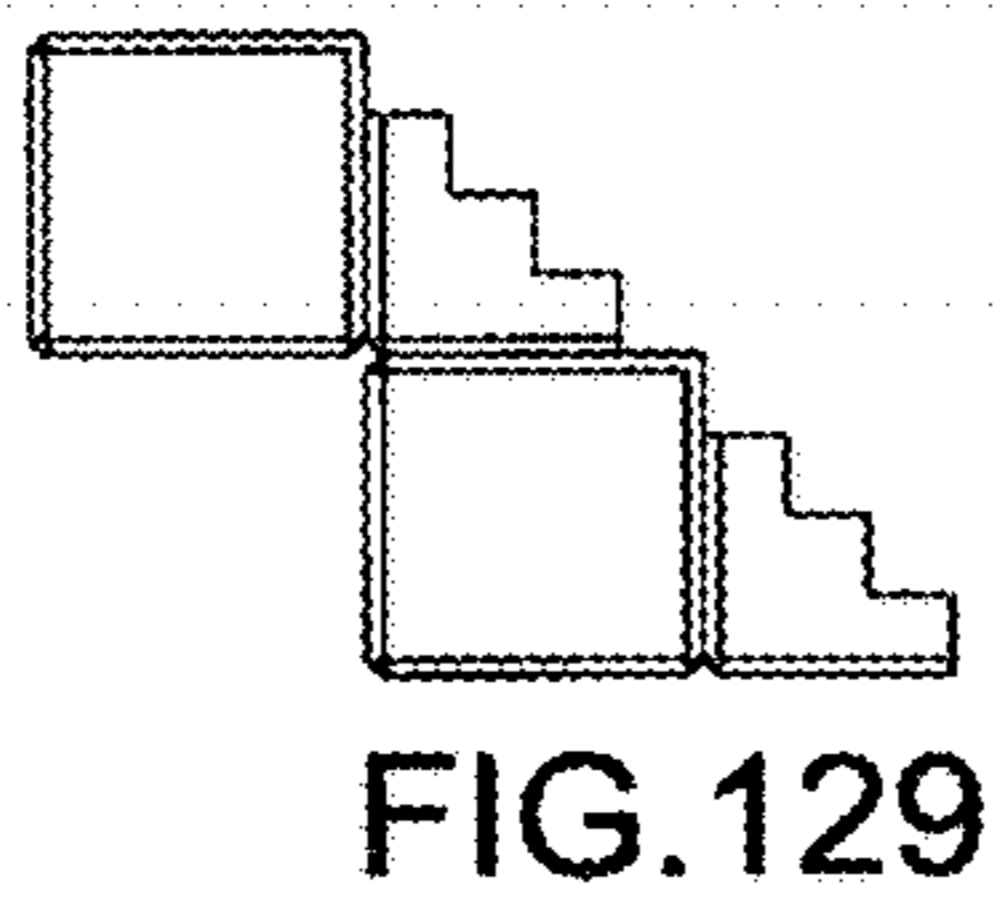
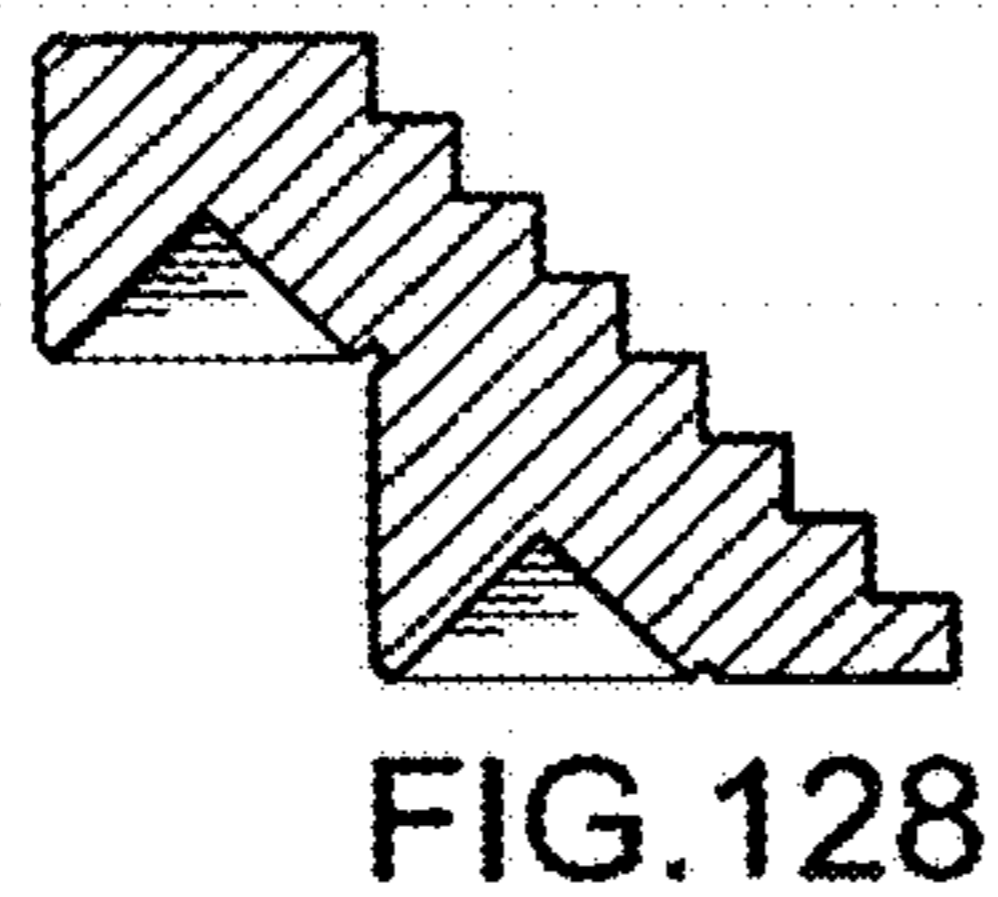
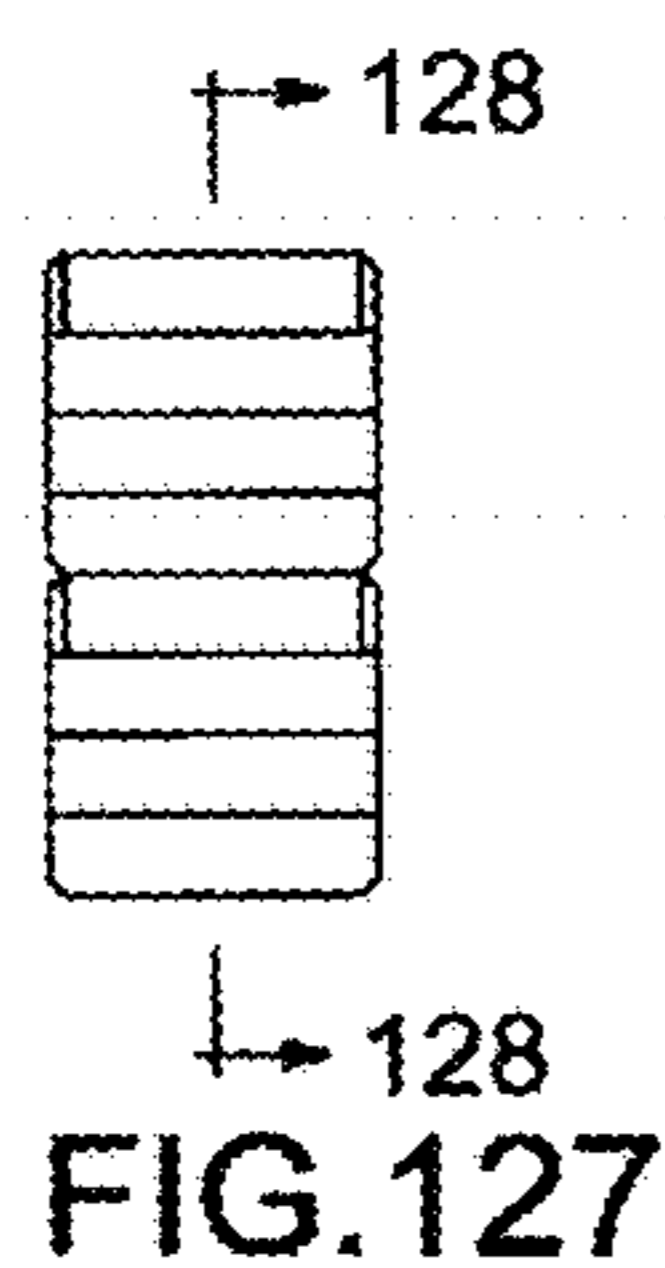
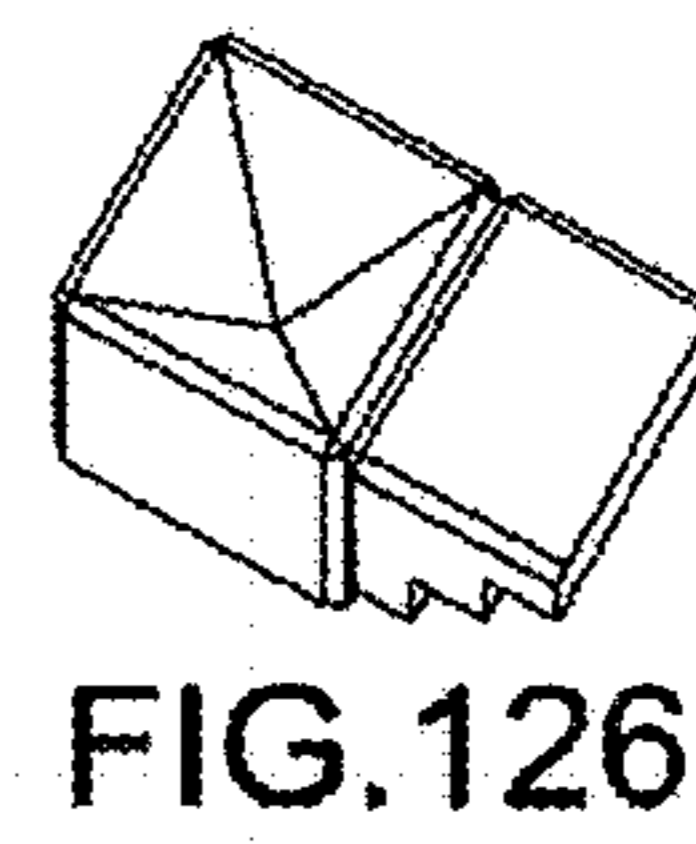
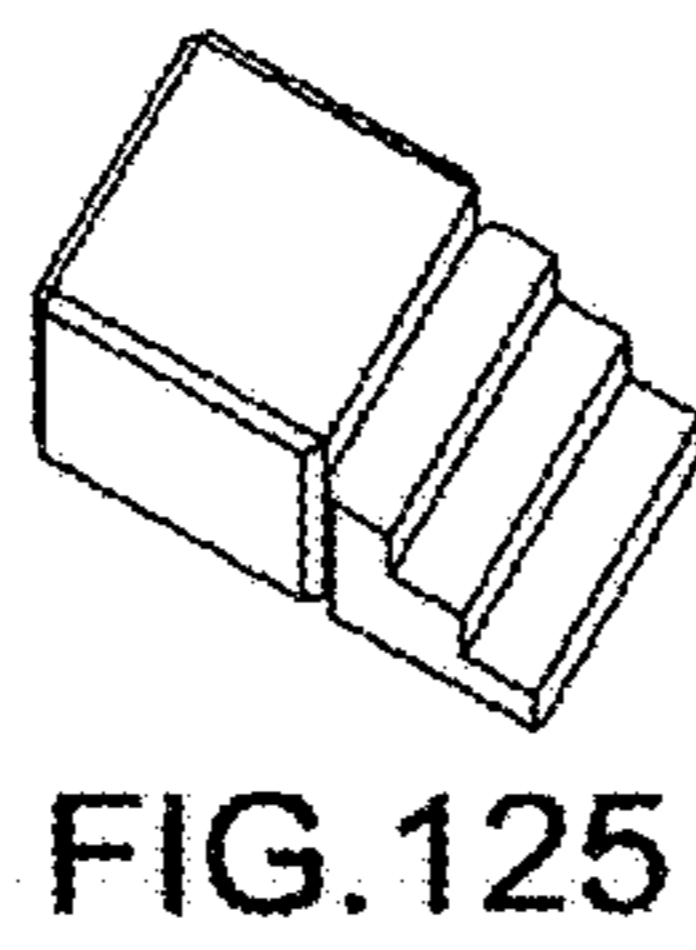
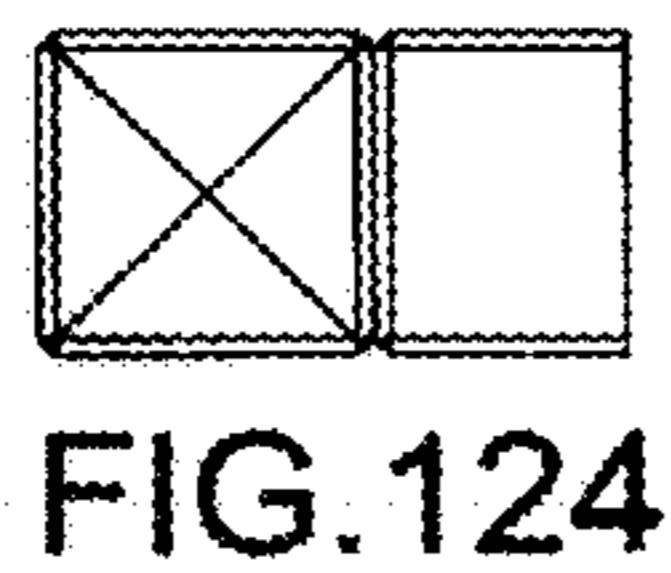
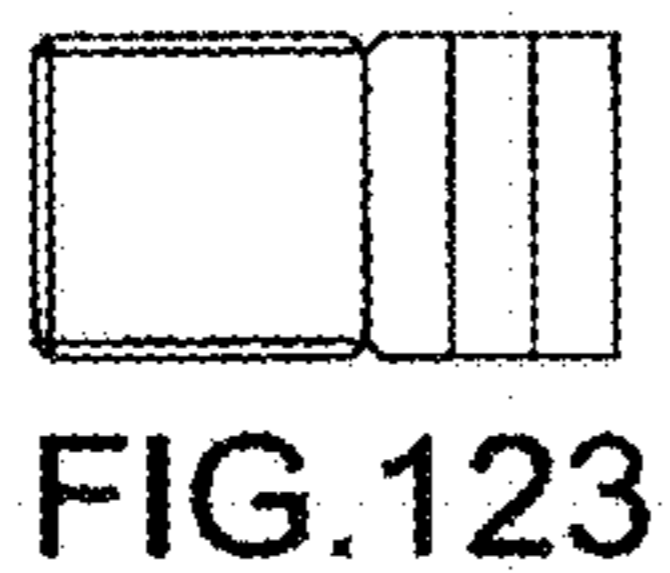
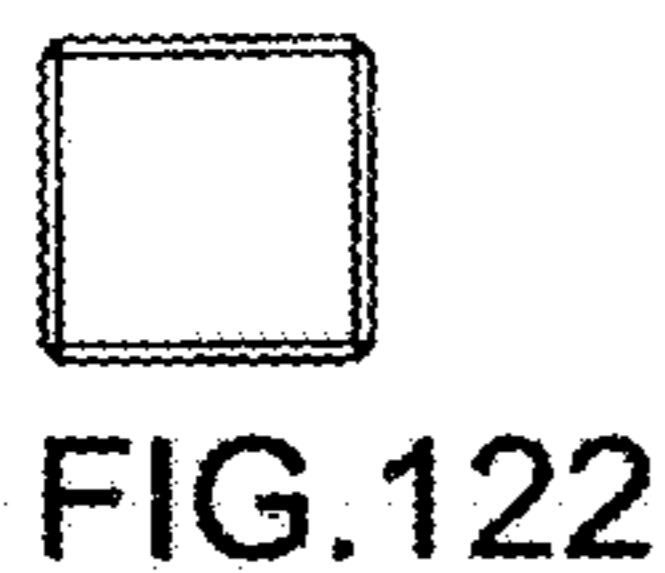
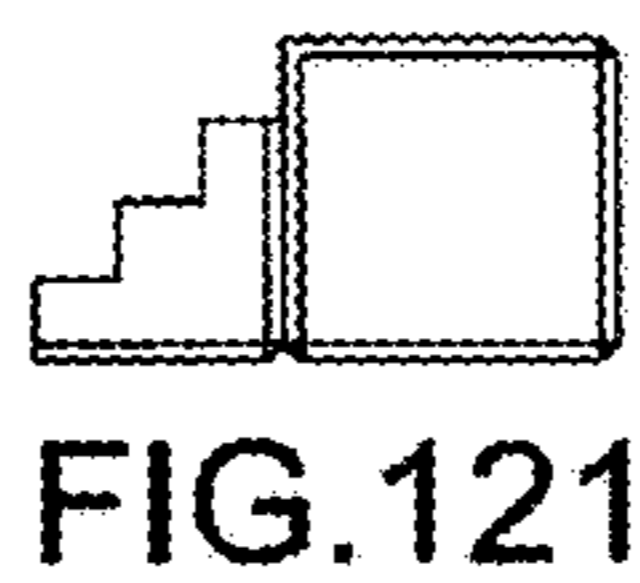
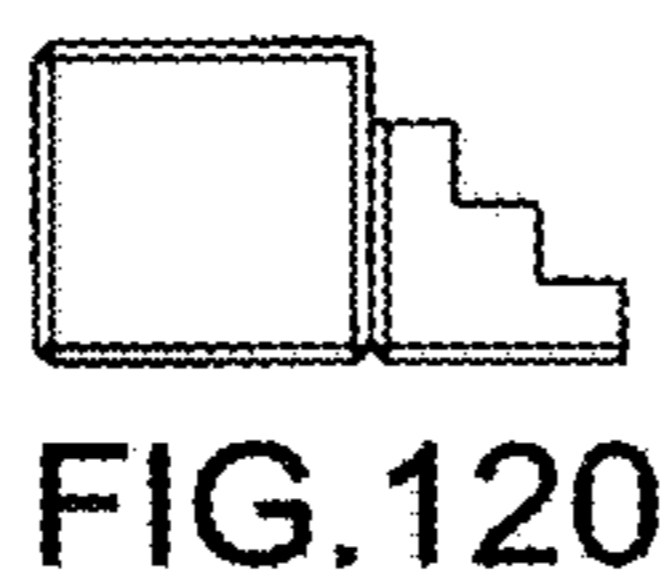
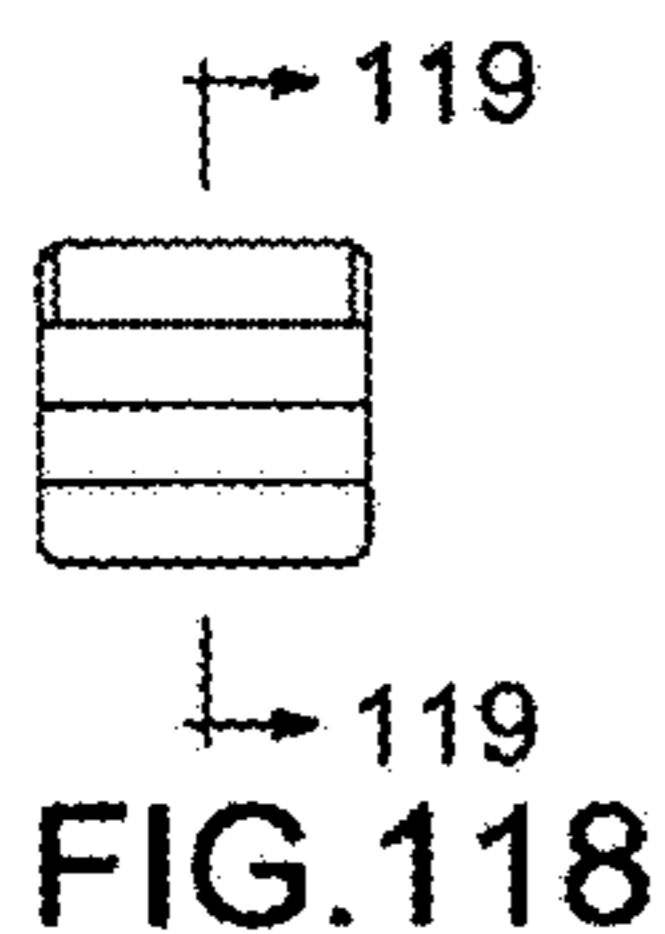


FIG. 87







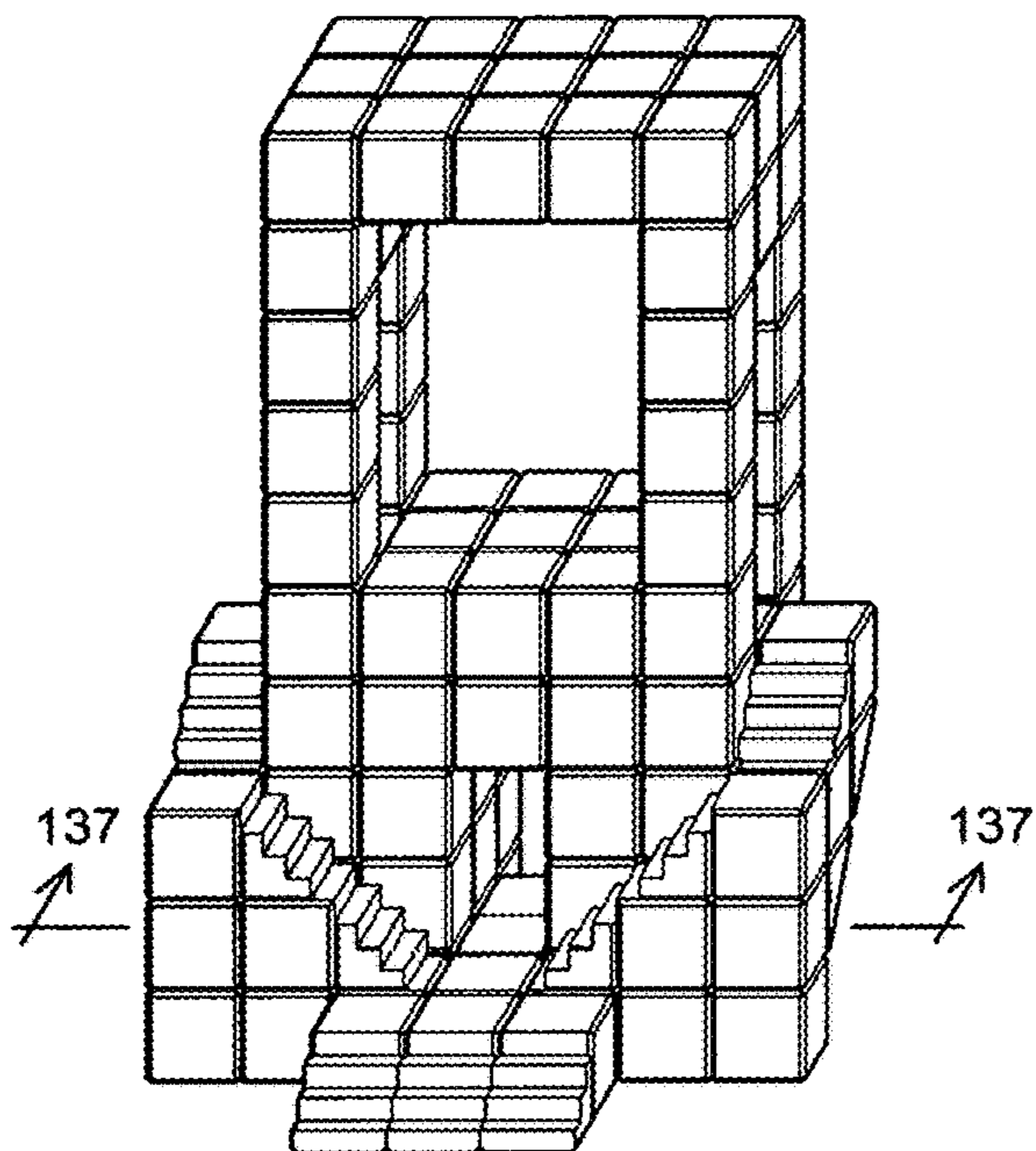


FIG. 136

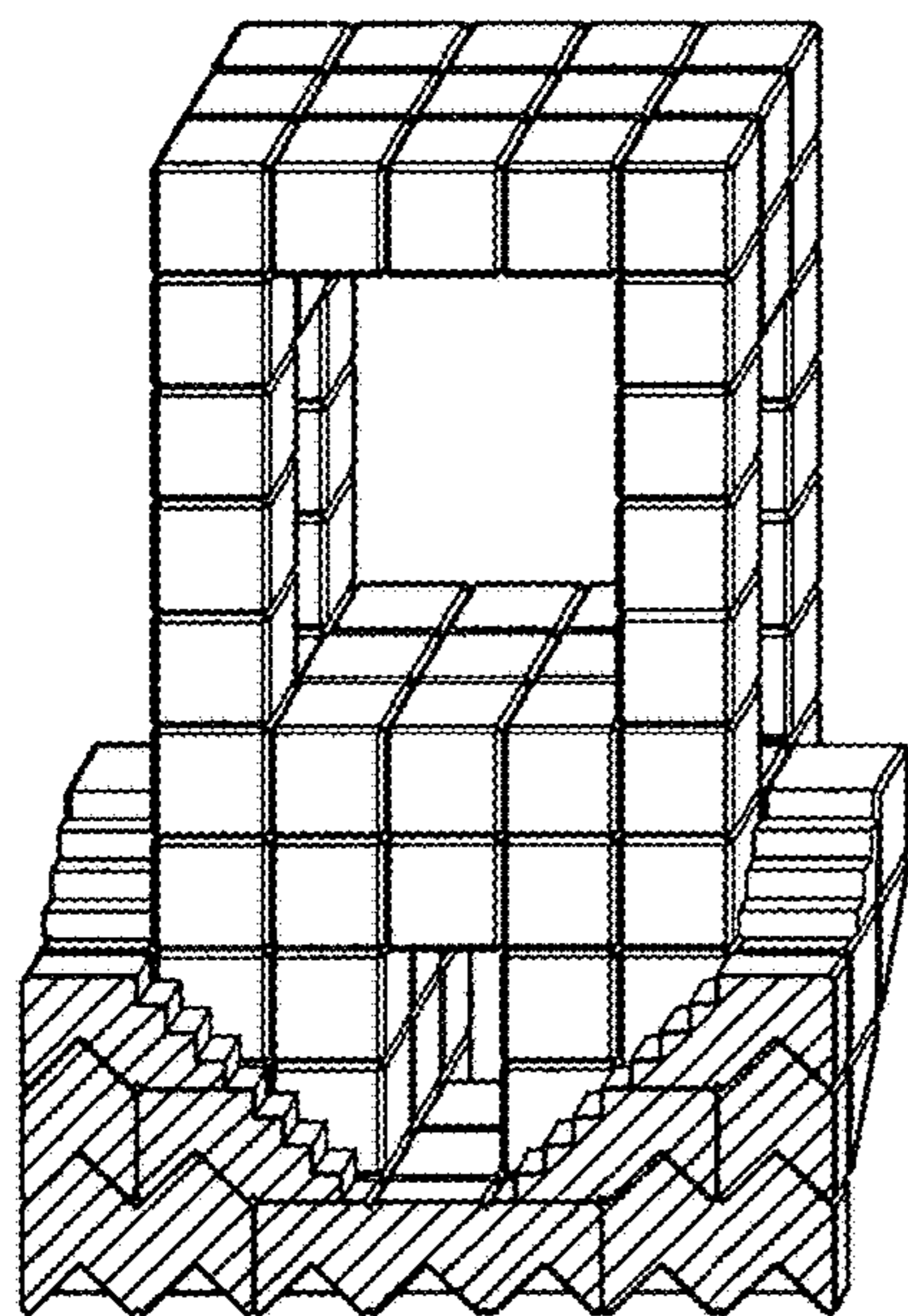
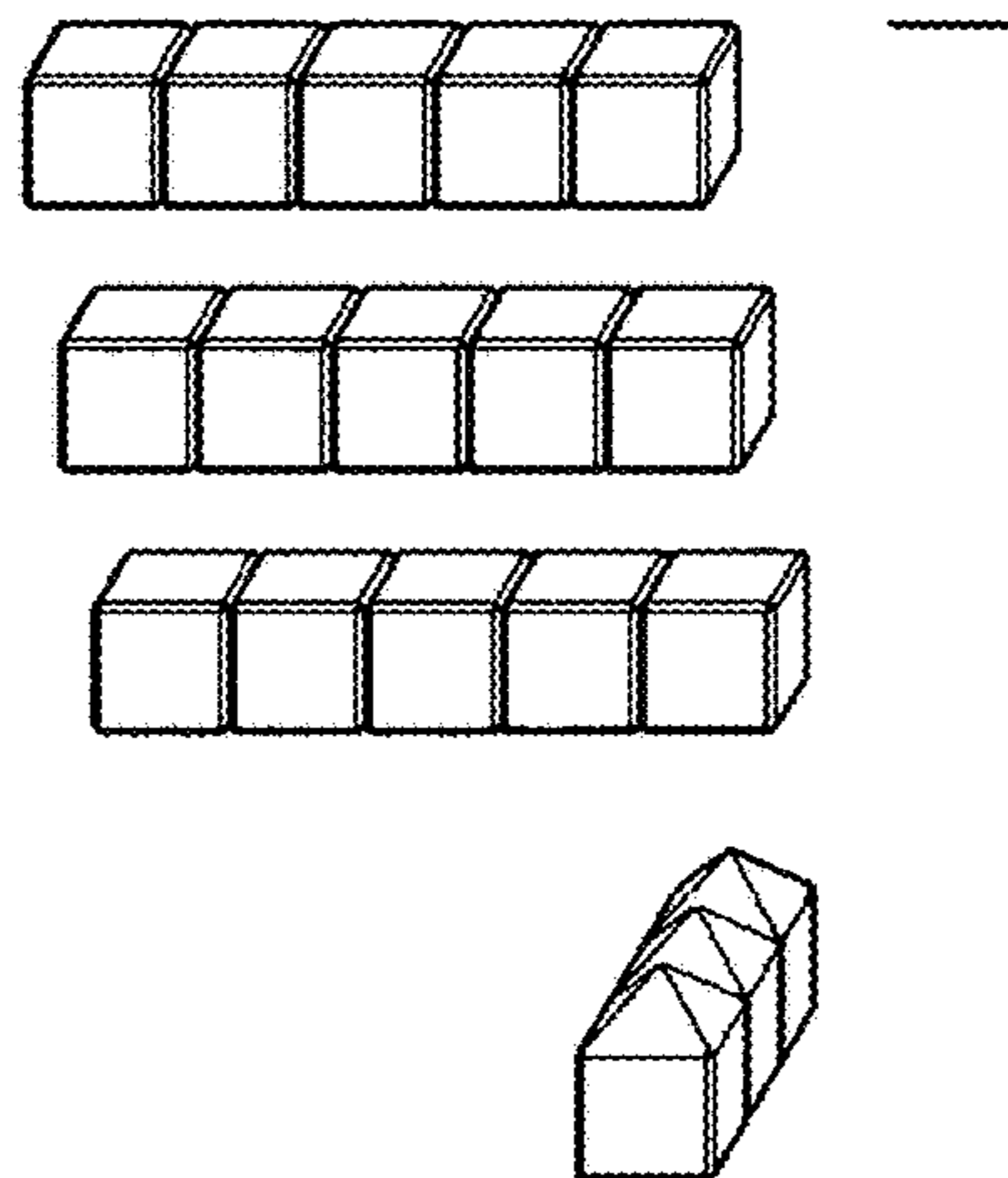


FIG. 137

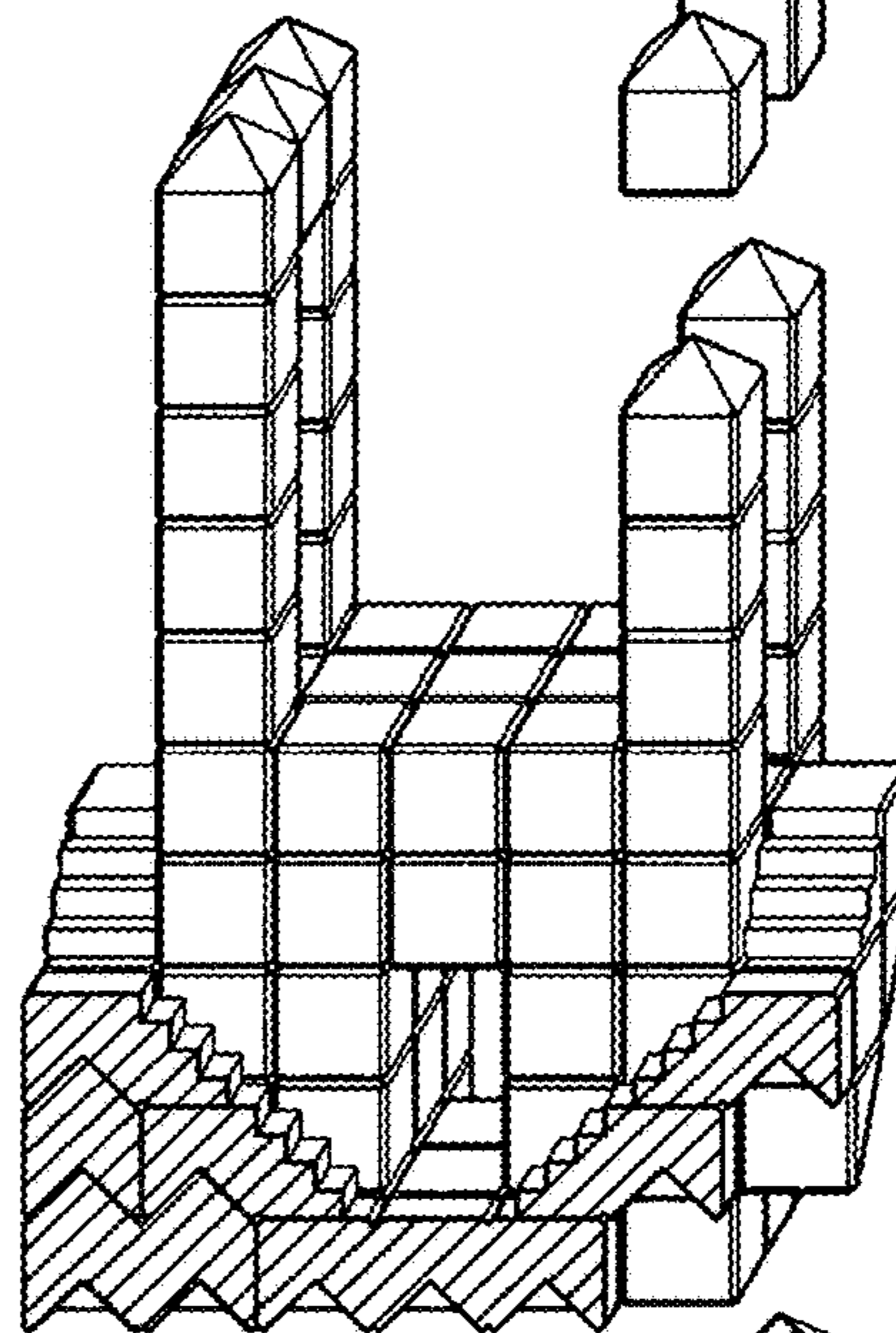
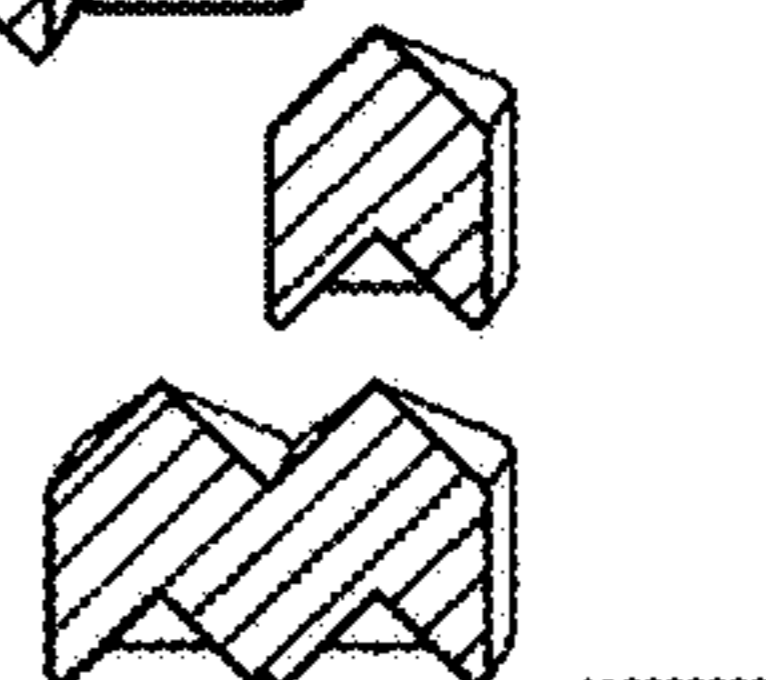


FIG. 138



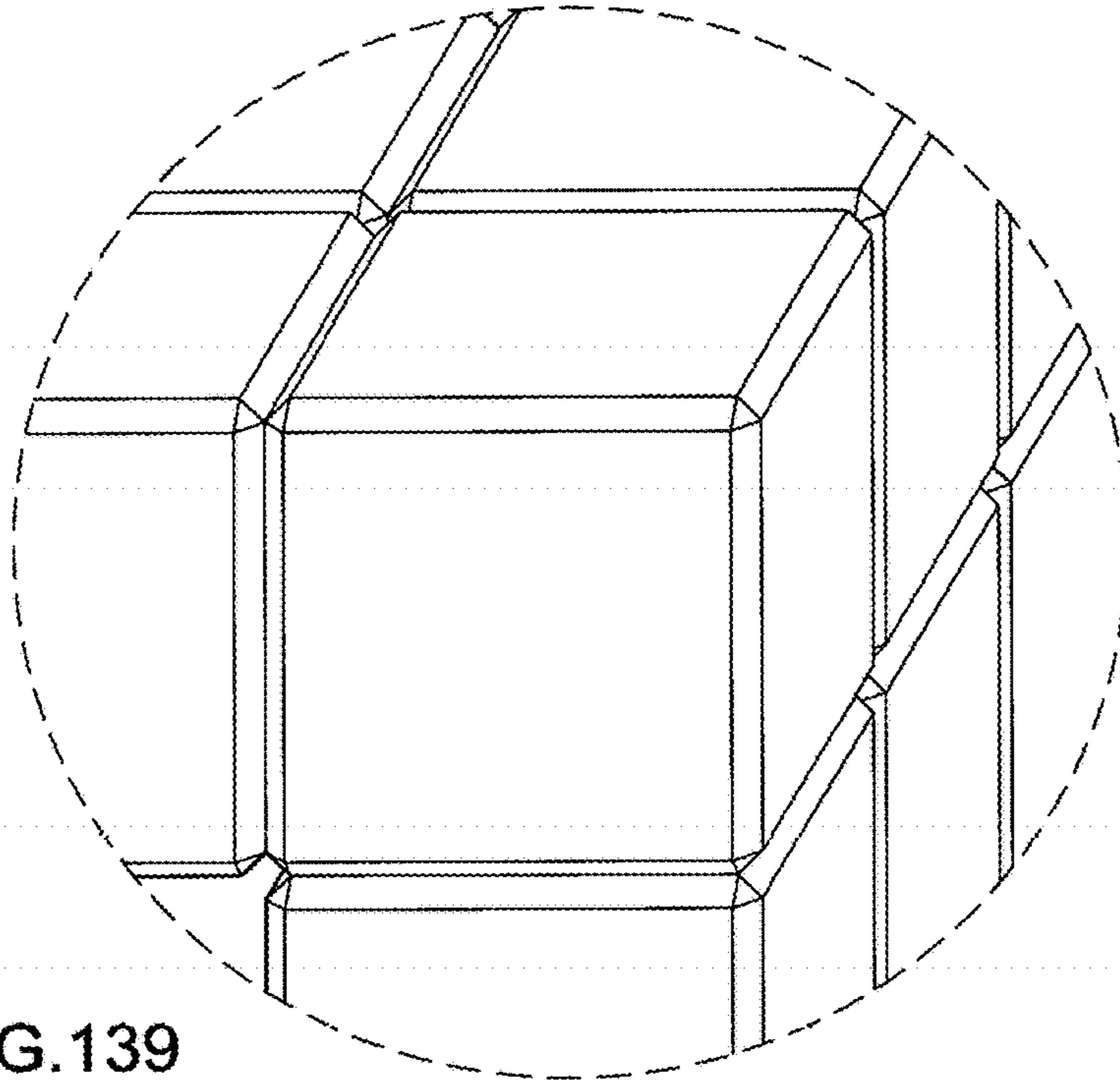


FIG. 139

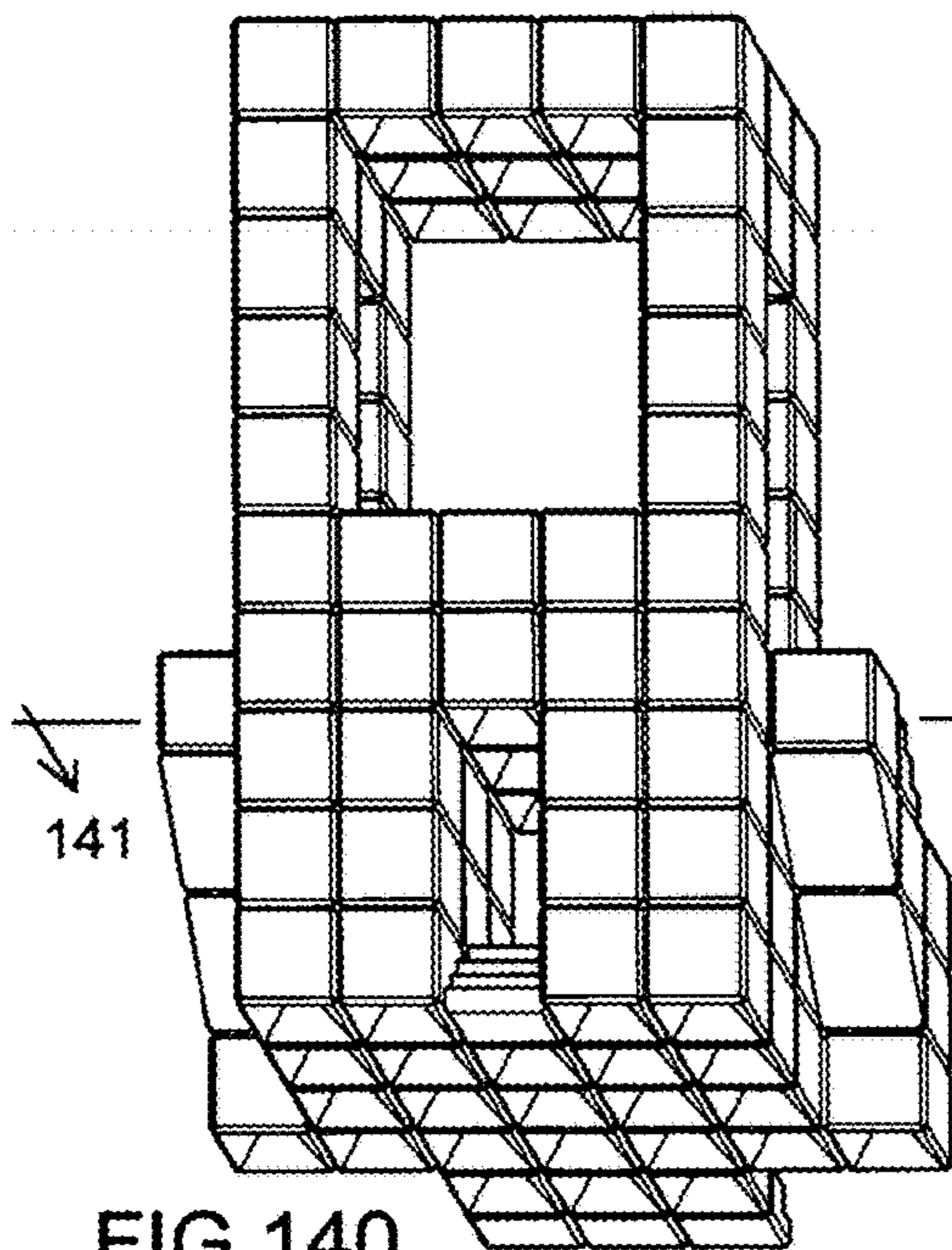


FIG. 140

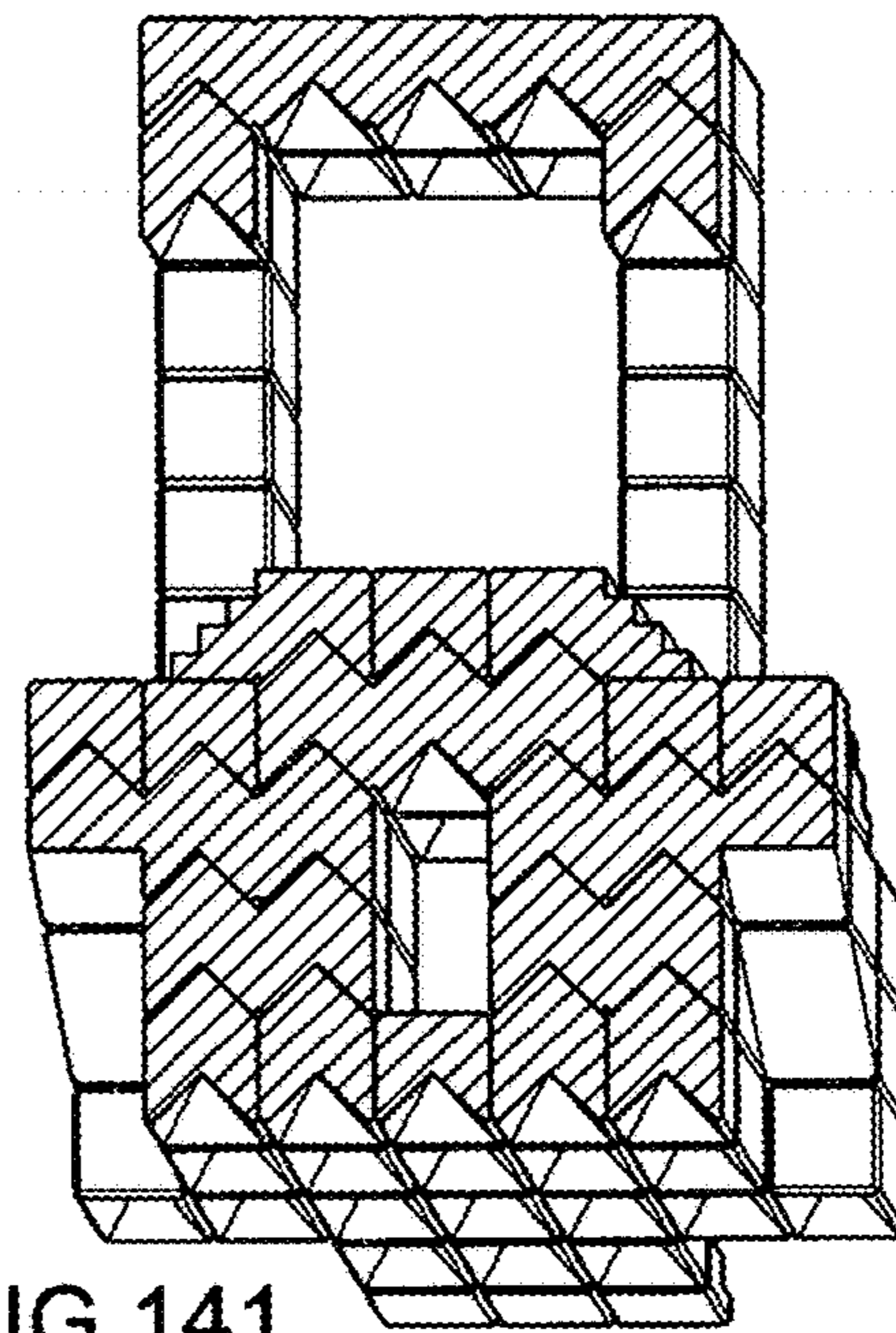


FIG. 141

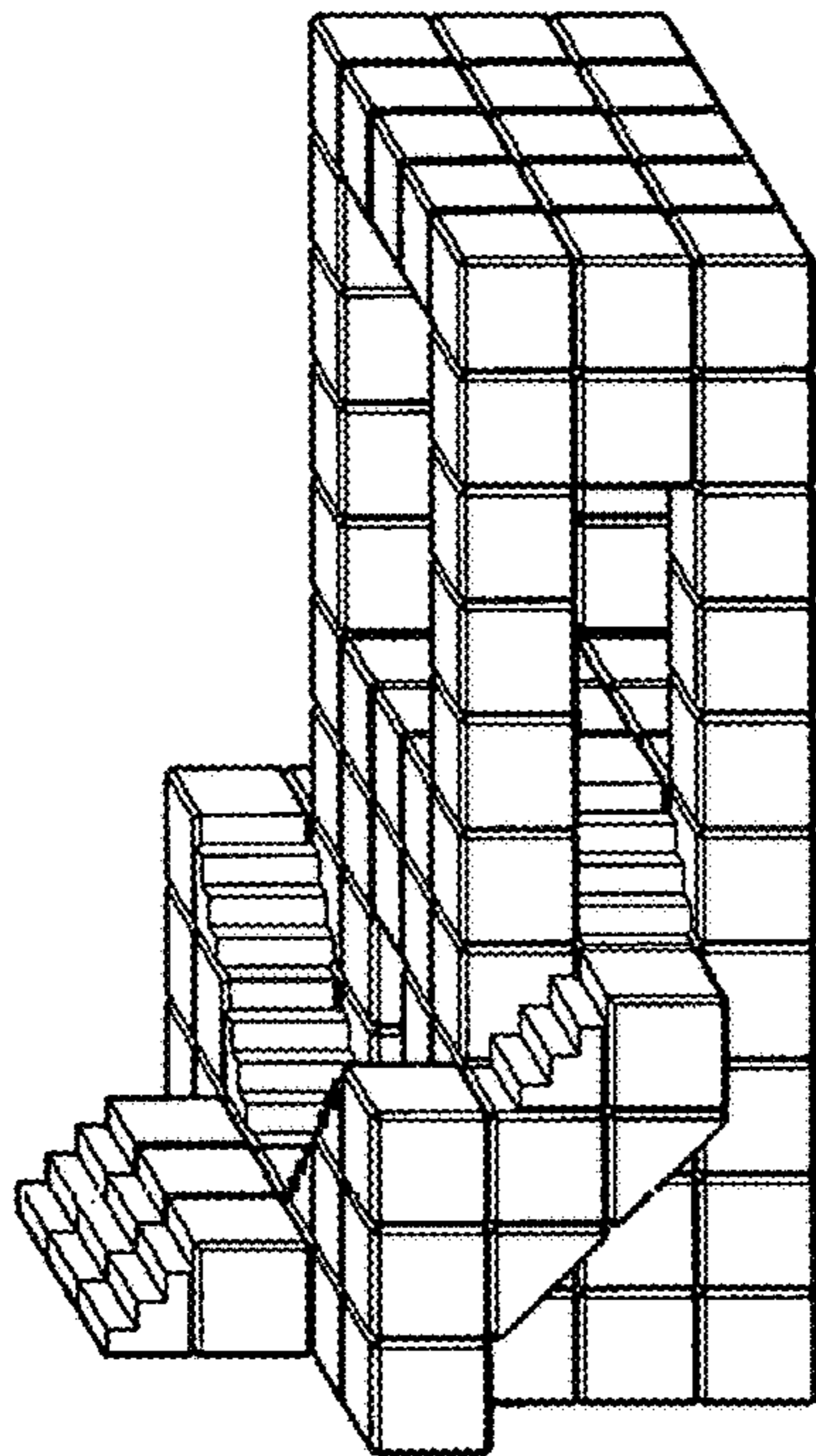


FIG. 142

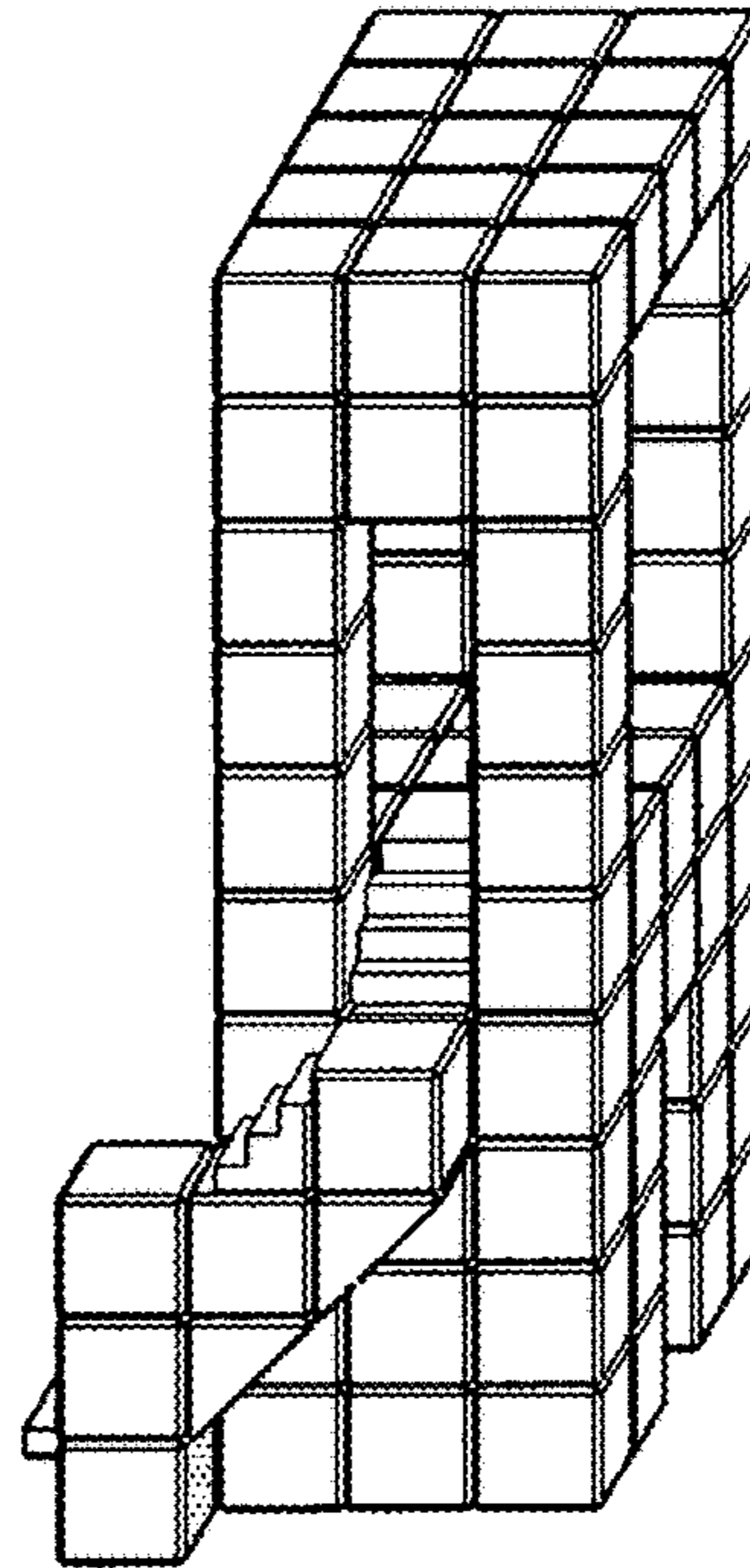


FIG. 143

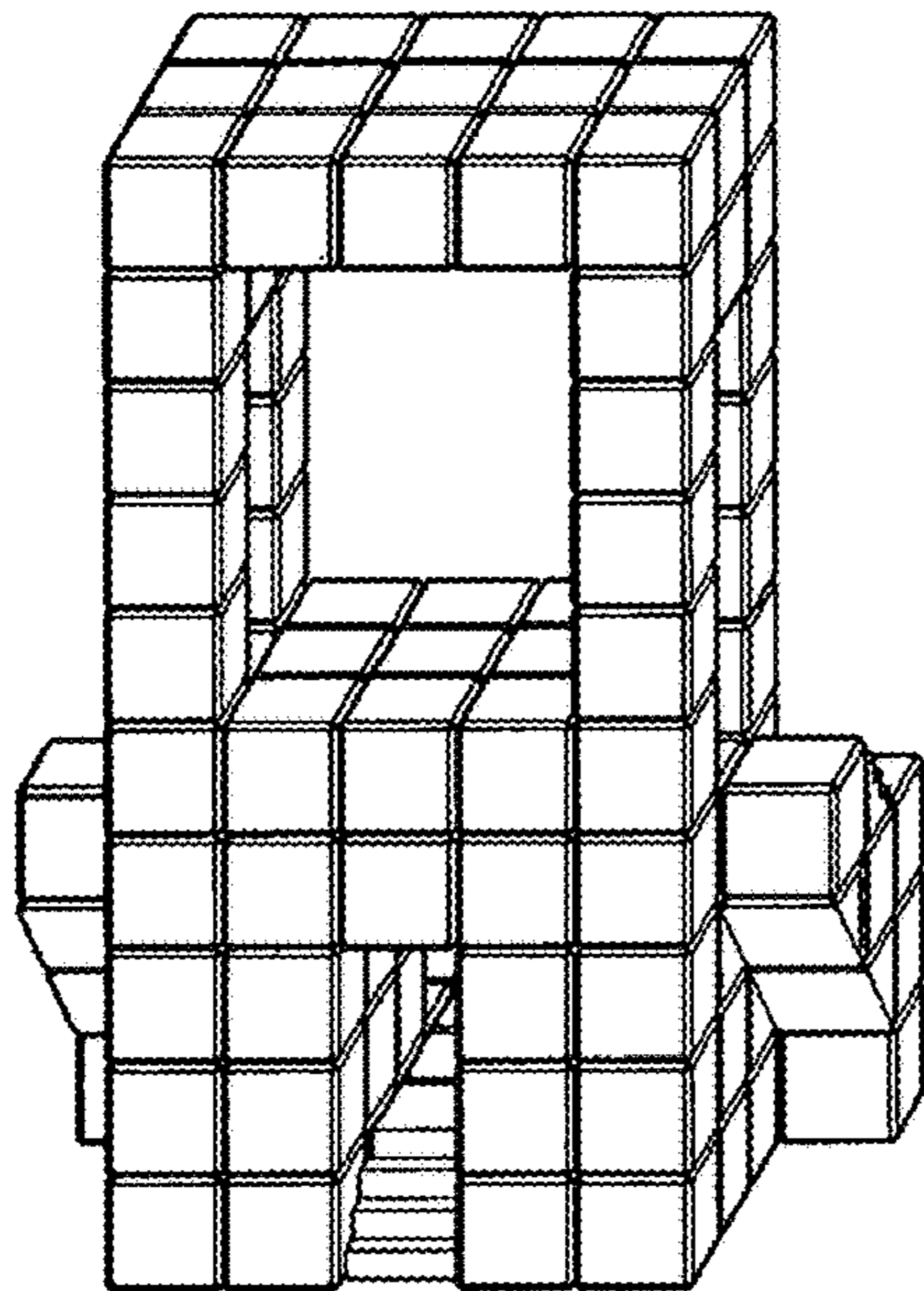


FIG. 144

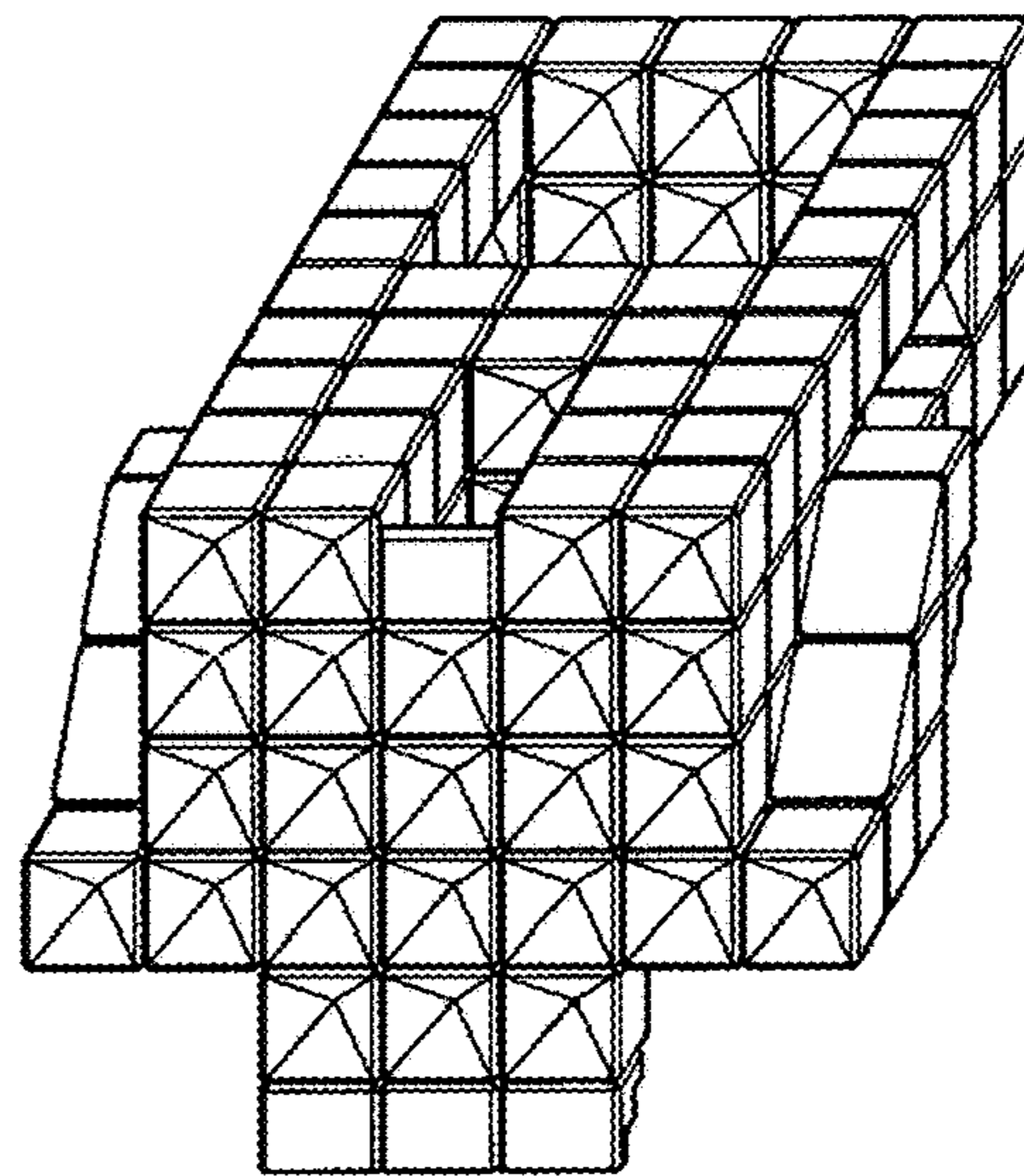


FIG. 145