



US00D849848S

(12) **United States Design Patent**
Saito et al.

(10) **Patent No.:** **US D849,848 S**

(45) **Date of Patent:** **** May 28, 2019**

(54) **SPINNING TOP TOY**

(71) Applicant: **TOMY COMPANY, LTD.**, Tokyo (JP)

(72) Inventors: **Shina Saito**, Tokyo (JP); **Toshinobu Ishii**, Saitama (JP)

(73) Assignee: **TOMY COMPANY, LTD.**, Tokyo (JP)

(**) Term: **15 Years**

(21) Appl. No.: **29/638,001**

(22) Filed: **Feb. 23, 2018**

(30) **Foreign Application Priority Data**

Aug. 28, 2017 (JP) 2017-018367

(51) **LOC (11) Cl.** **21-01**

(52) **U.S. Cl.**
USPC **D21/460**

(58) **Field of Classification Search**
USPC D21/455-464; 446/236-266
CPC A63H 1/00-1/32; A63F 9/16
See application file for complete search history.

(56) **References Cited**

U.S. PATENT DOCUMENTS

D614,245 S *	4/2010	Ujita	D21/460
D615,134 S *	5/2010	Nishimoto	D21/460
D615,602 S *	5/2010	Nishimoto	D21/460
D629,051 S *	12/2010	Nishimoto	D21/460
D825,670 S *	8/2018	Muraki	D21/460
D825,672 S *	8/2018	Muraki	D21/460
D827,044 S *	8/2018	Horikoshi	D21/460
D827,046 S *	8/2018	Horikoshi	D21/460
D828,456 S *	9/2018	Muraki	D21/460
D834,101 S *	11/2018	Horikoshi	D21/460
D834,102 S *	11/2018	Muraki	D21/460
D834,103 S *	11/2018	Horikoshi	D21/460
D835,208 S *	12/2018	Horikoshi	D21/460

D835,209 S *	12/2018	Hashiba	D21/460
D835,724 S *	12/2018	Muraki	D21/460
2010/0159798 A1 *	6/2010	Bertrand	A63H 1/02 446/259

FOREIGN PATENT DOCUMENTS

CN	302300475	*	1/2013
CN	303404375	*	10/2015
CN	303467759	*	11/2015
CN	303533297	*	12/2015
CN	303533301	*	12/2015
CN	303794520	*	8/2016
CN	303817130	*	8/2016
EM	003253442-0006	*	7/2016
EM	003253442-0008	*	7/2016

(Continued)

Primary Examiner — Catherine A Tuttle

(74) *Attorney, Agent, or Firm* — Staas & Halsey LLP

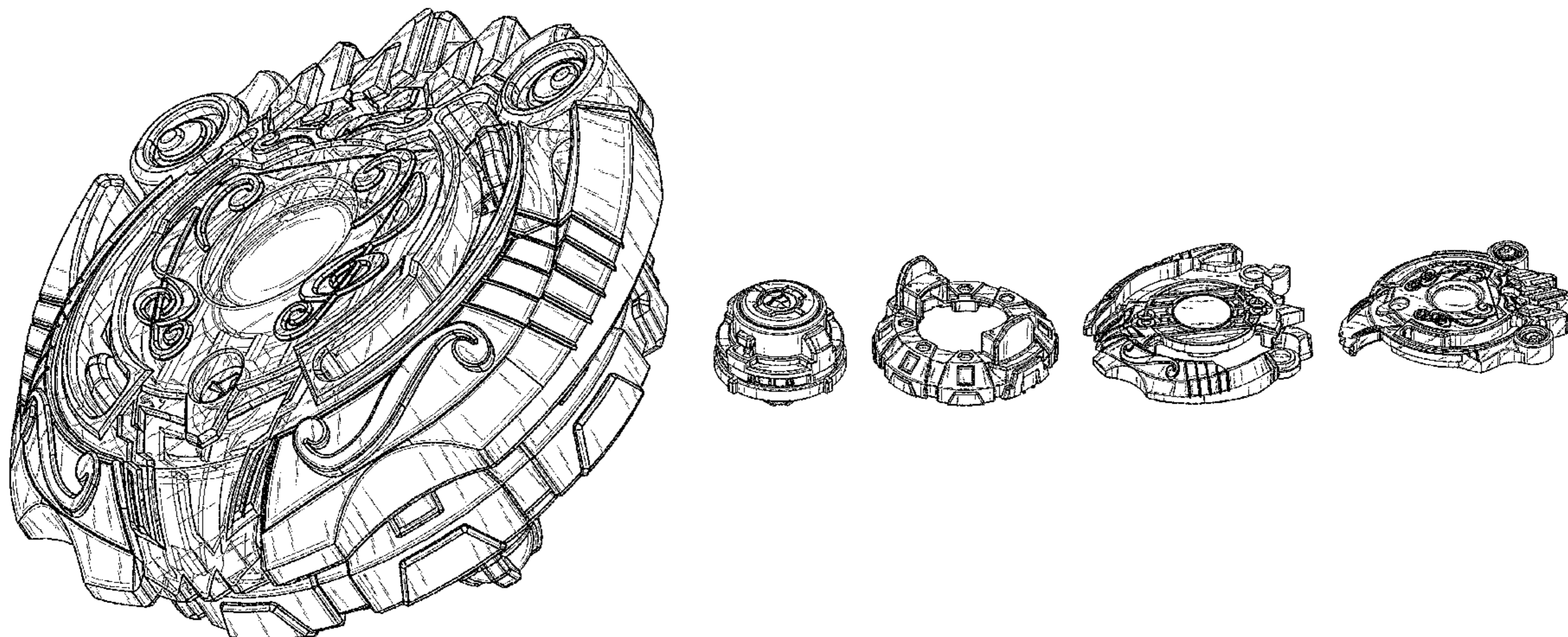
(57) **CLAIM**

The ornamental design for a spinning top toy, as shown.

DESCRIPTION

FIG. 1 is a front view of the spinning top toy showing our design;
 FIG. 2 is a left side view thereof;
 FIG. 3 is a rear view thereof;
 FIG. 4 is a right side view thereof;
 FIG. 5 is a top view thereof;
 FIG. 6 is a bottom view thereof;
 FIG. 7 is a front, top and right perspective view thereof;
 FIG. 8 is a disassembled front, top and right perspective view thereof; and,
 FIG. 9 is a disassembled rear, bottom and left perspective view thereof.

1 Claim, 9 Drawing Sheets



(56)

References Cited

FOREIGN PATENT DOCUMENTS

EM	003318252-0001	*	8/2016	
JP	3154824	U *	10/2009 A63H 1/16
JP	6250202	B1 *	12/2017 A63H 1/00
JP	6258541	B1 *	1/2018 A63H 1/04
WO	D0098063-001	*	10/2017	

* cited by examiner

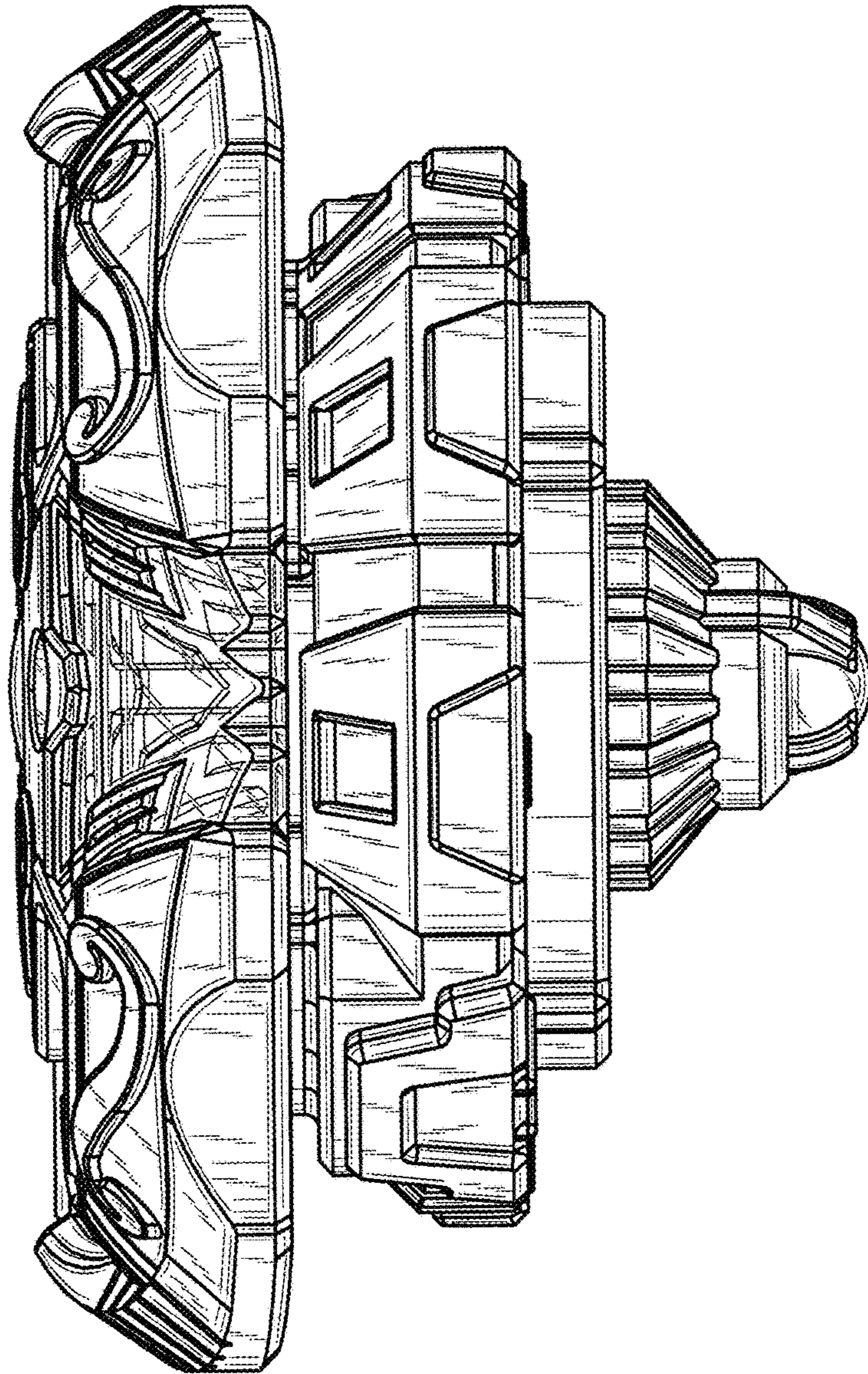


FIG.1

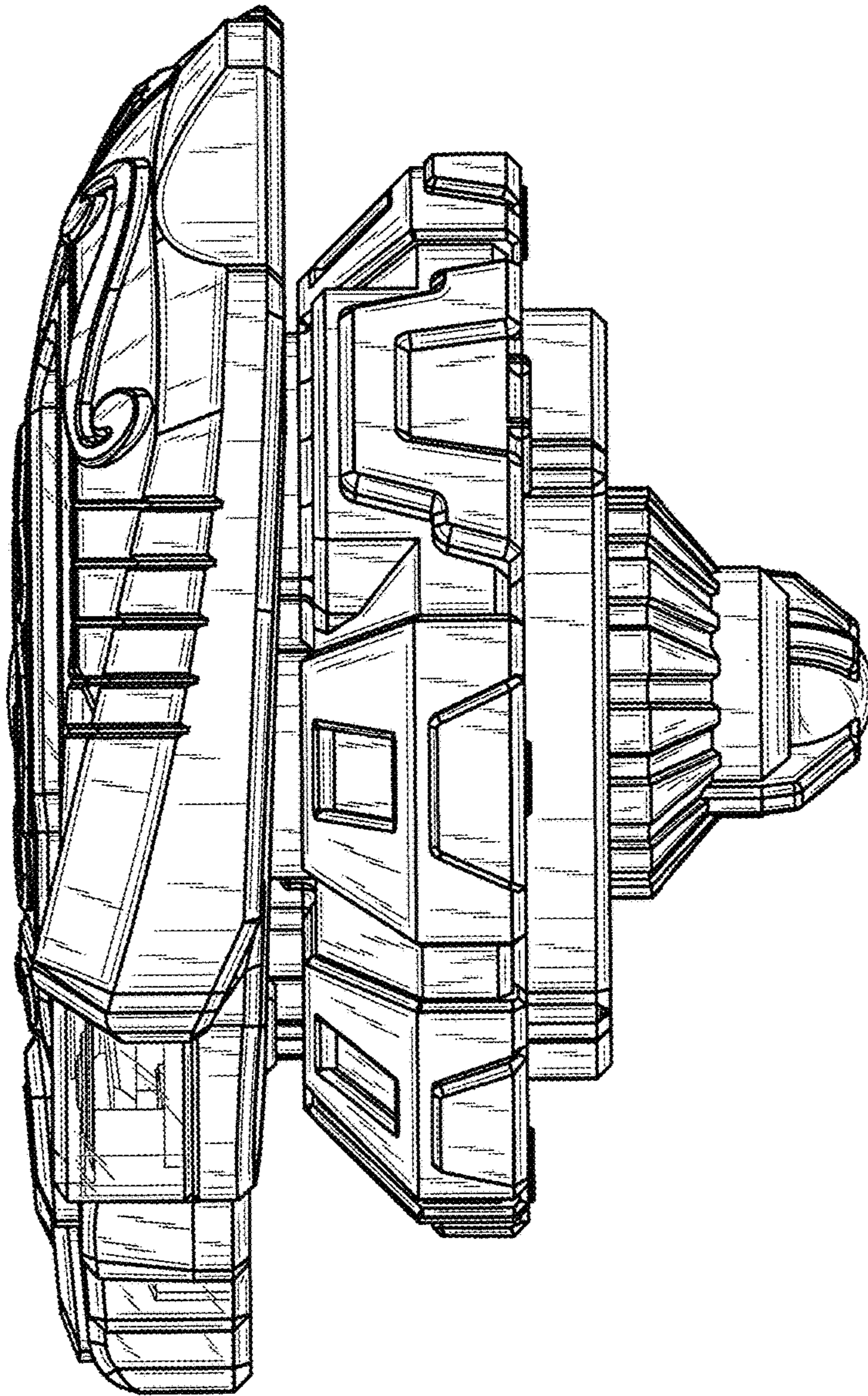


FIG.2

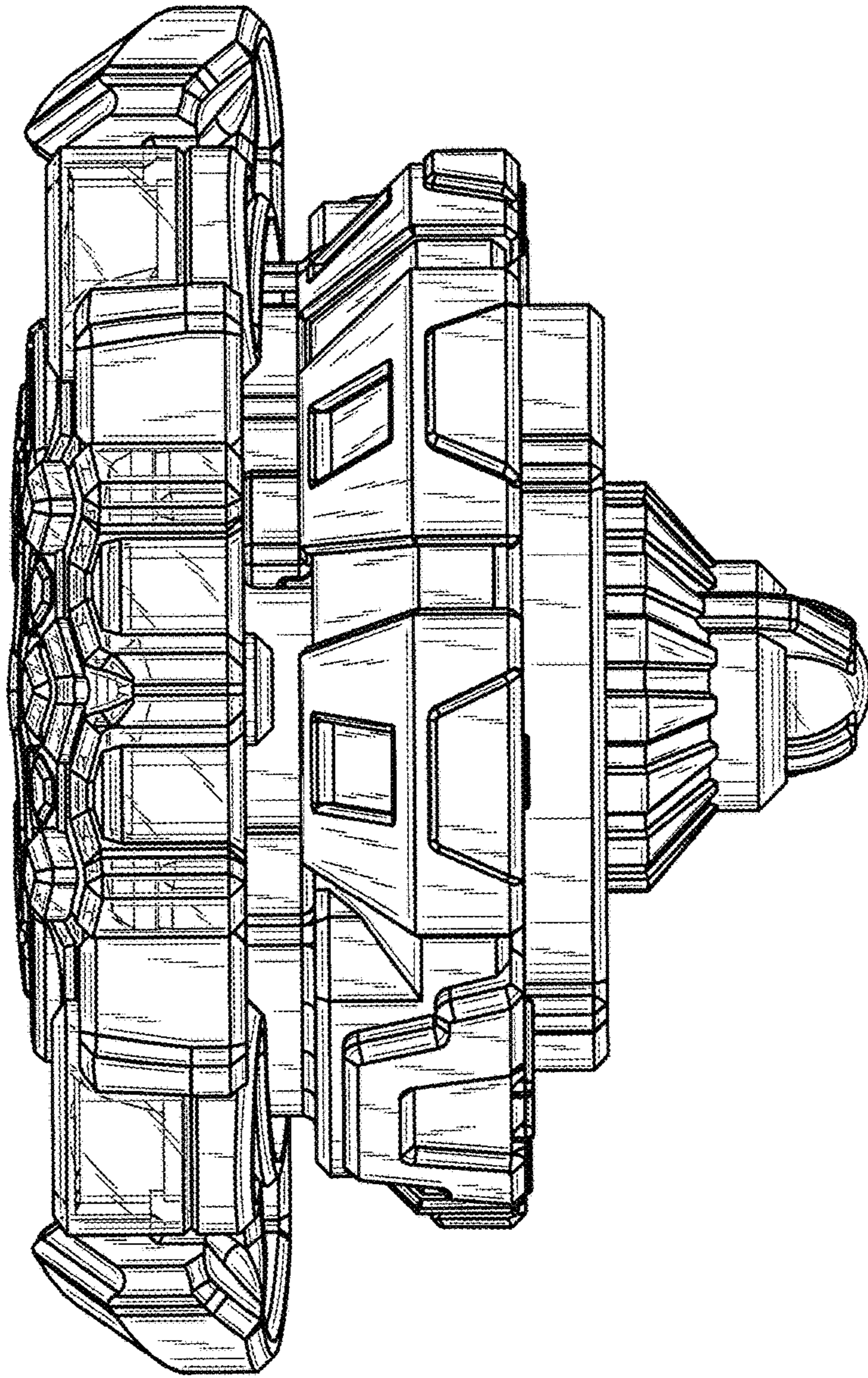


FIG.3

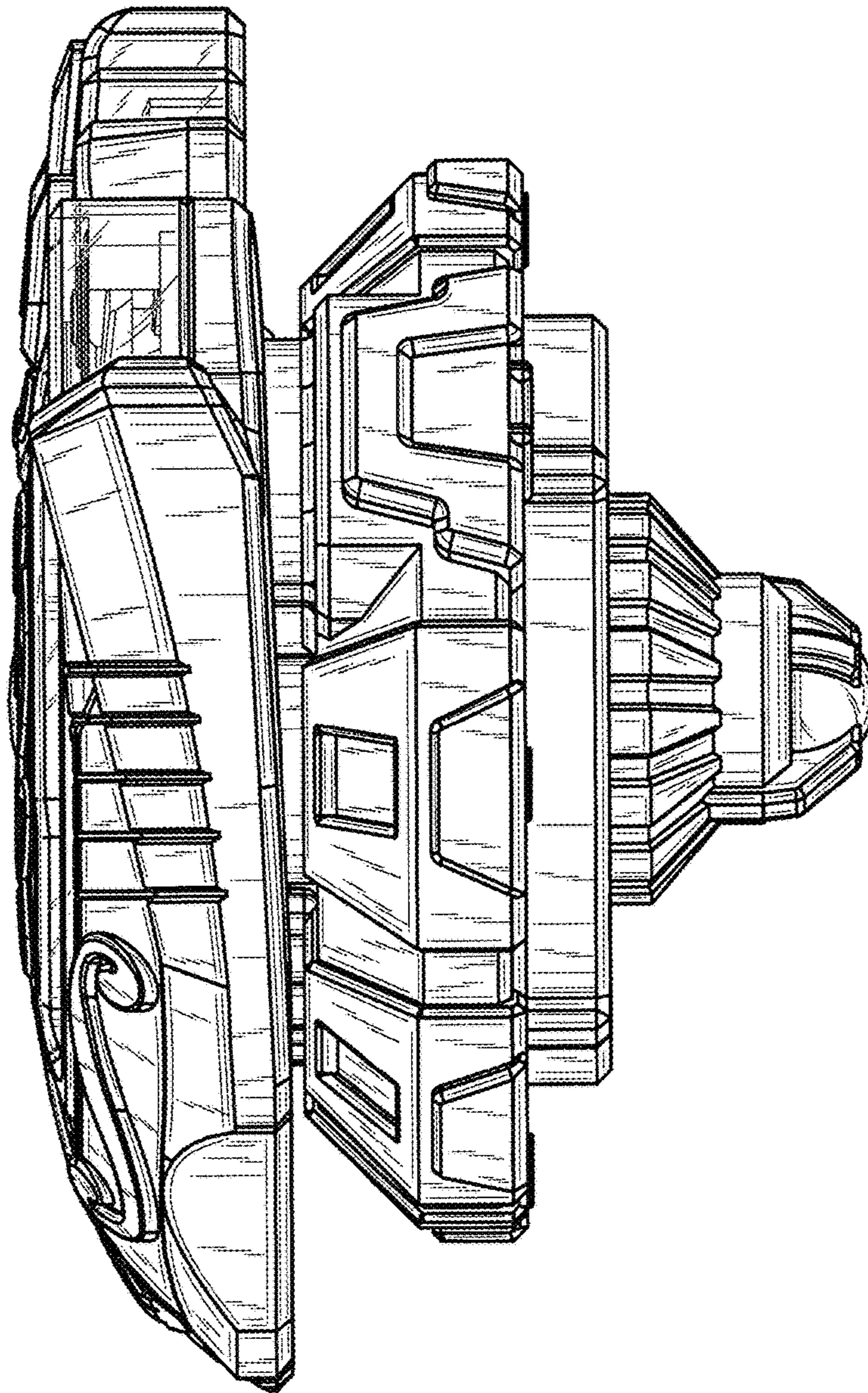


FIG.4

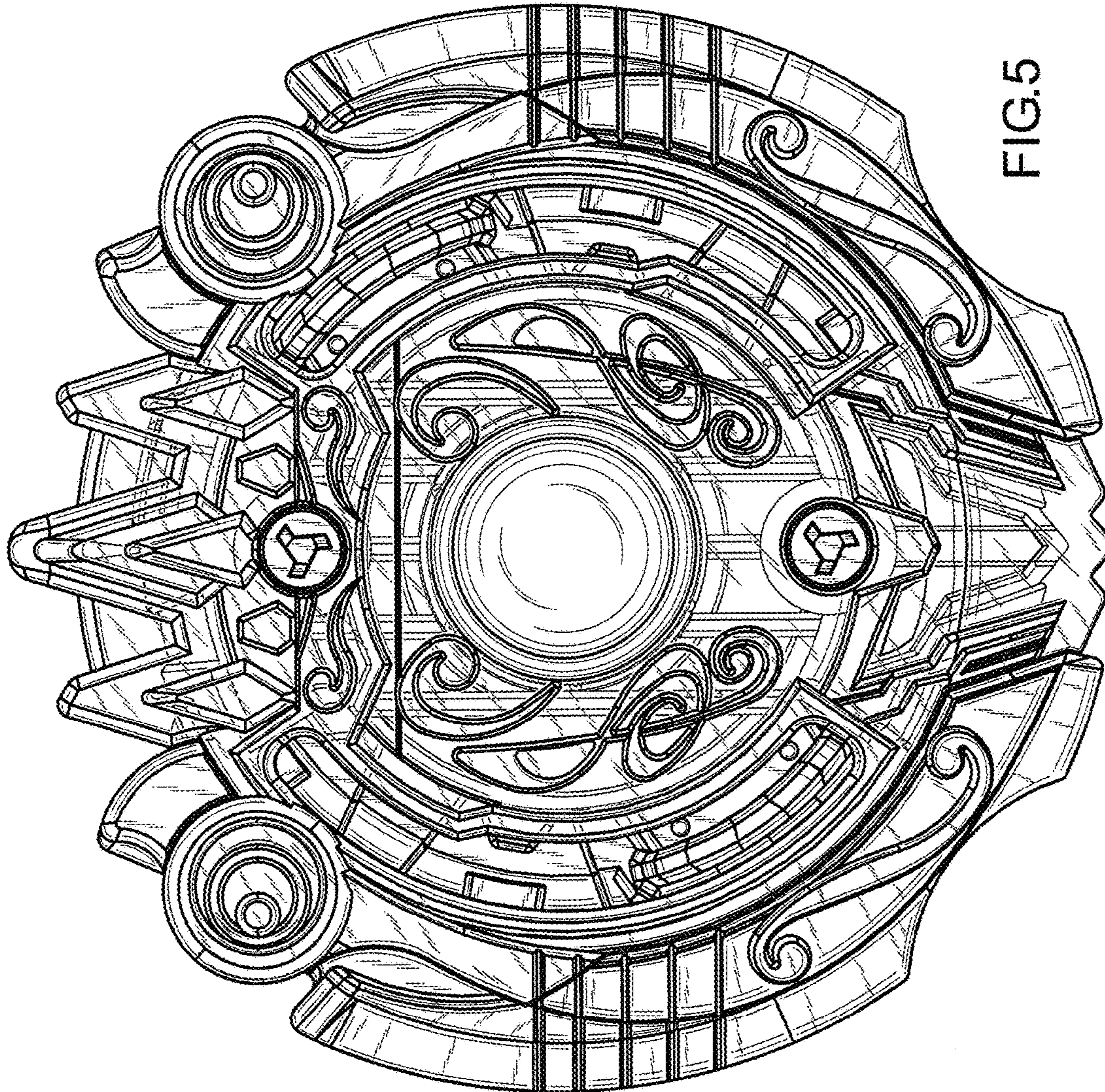


FIG.5

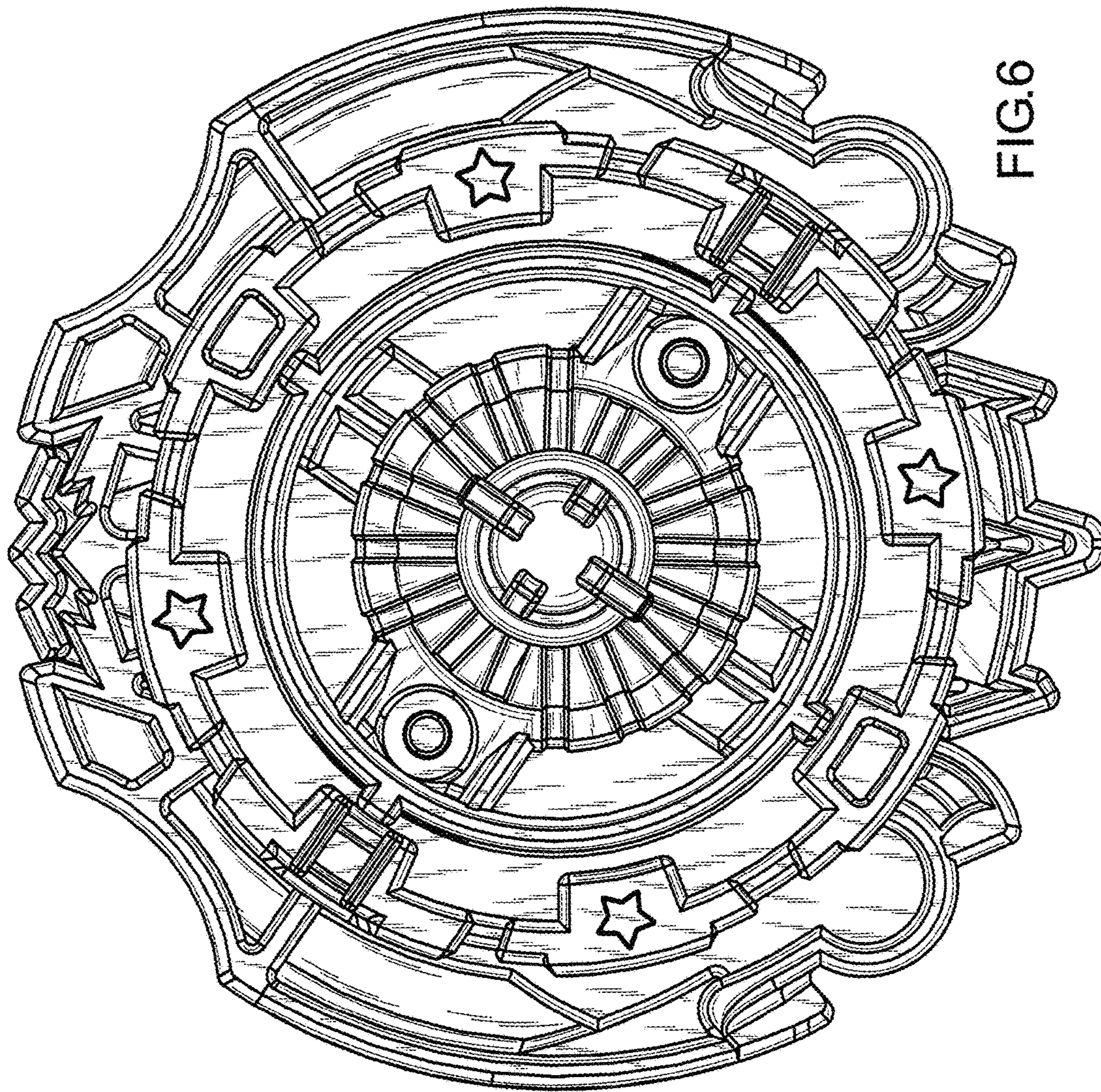


FIG.6

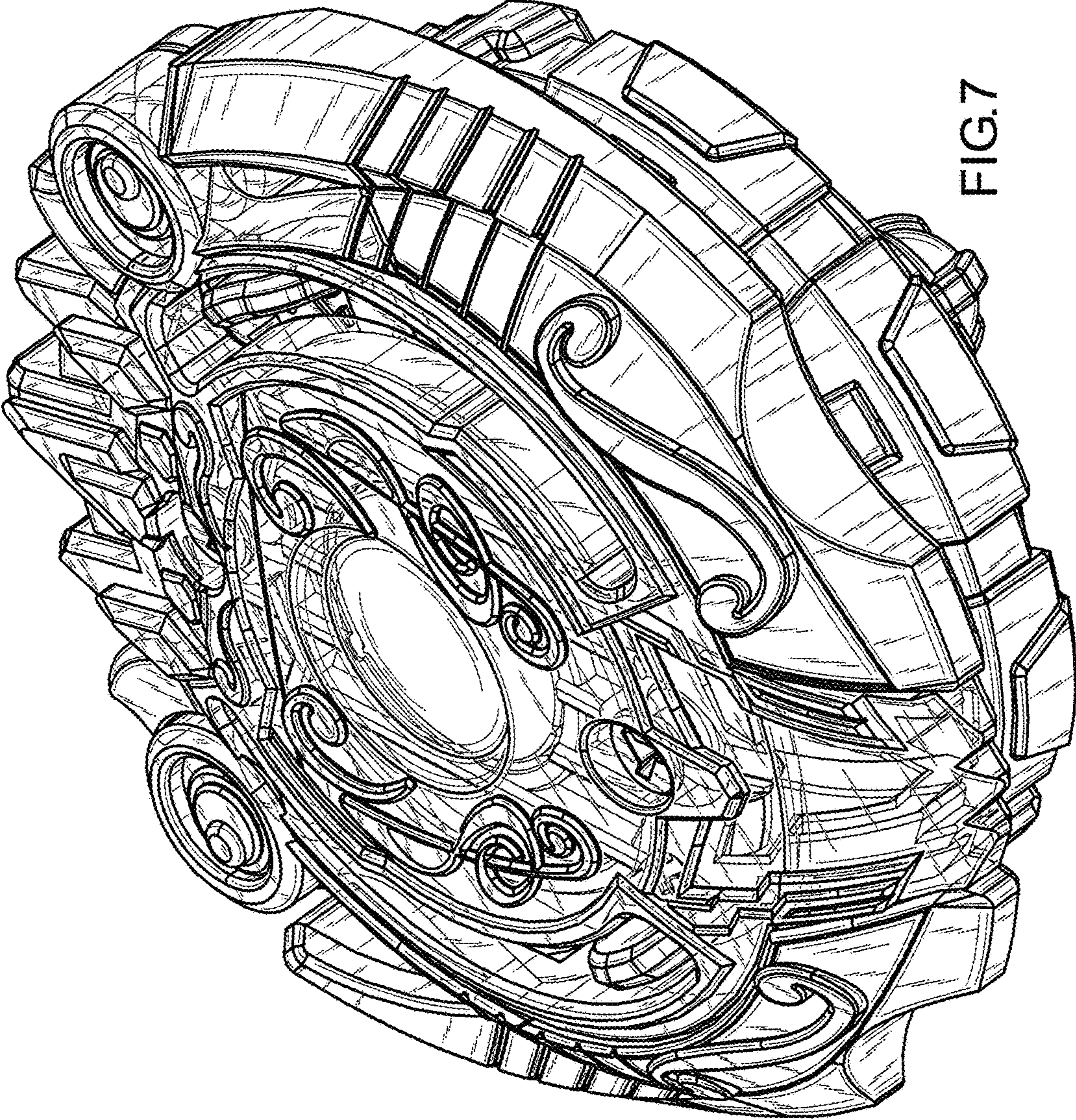


FIG.7

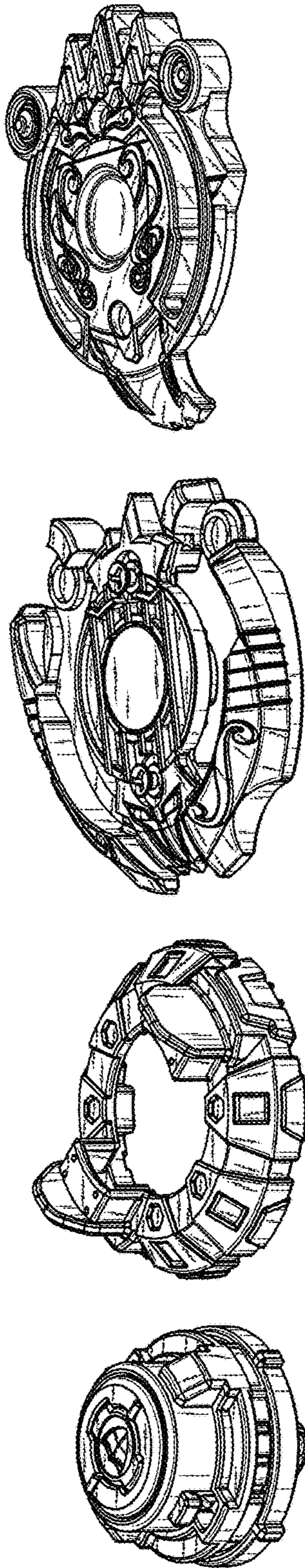


FIG.8

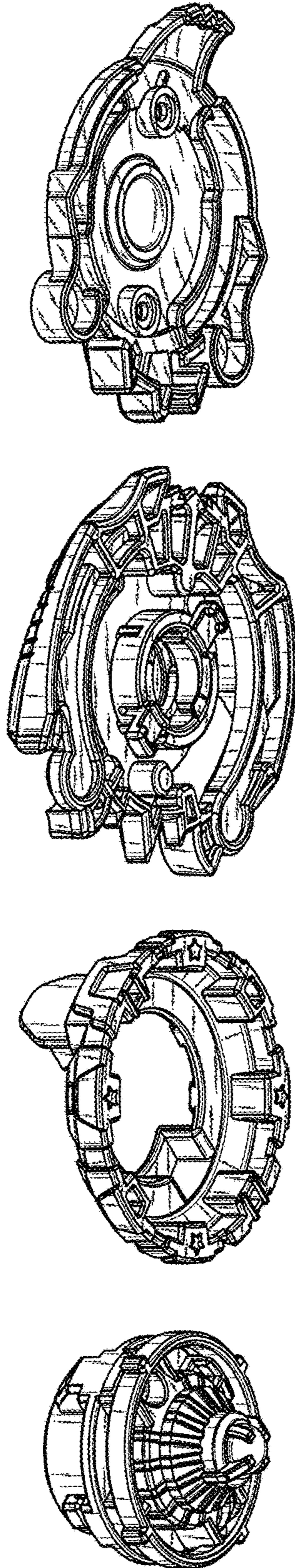


FIG.9