



US00D849847S

(12) **United States Design Patent**
Horikoshi

(10) **Patent No.:** **US D849,847 S**

(45) **Date of Patent:** **** May 28, 2019**

(54) **SPINNING TOP TOY**

(71) Applicant: **TOMY COMPANY, LTD.**, Tokyo (JP)

(72) Inventor: **Kenji Horikoshi**, Tokyo (JP)

(73) Assignee: **TOMY COMPANY, LTD.**, Tokyo (JP)

(**) Term: **15 Years**

(21) Appl. No.: **29/620,220**

(22) Filed: **Aug. 25, 2016**

(30) **Foreign Application Priority Data**

Jun. 6, 2016 (JP) 2016-011996

(51) **LOC (11) Cl.** **21-01**

(52) **U.S. Cl.**
USPC **D21/460**

(58) **Field of Classification Search**
USPC D21/436, 441, 443, 444, 455, 460-464;
446/236-266

(Continued)

(56) **References Cited**

U.S. PATENT DOCUMENTS

D608,842 S * 1/2010 Nishimoto D21/460
D629,847 S * 12/2010 Ujita D21/460

(Continued)

FOREIGN PATENT DOCUMENTS

CN 3262743 * 11/2002
CN 301715351 * 11/2011

(Continued)

OTHER PUBLICATIONS

Japanese Office Action dated Oct. 4, 2016 in corresponding Japanese Patent Application No. 2016-011996.

Primary Examiner — Catherine A Tuttle

(74) *Attorney, Agent, or Firm* — Staas & Halsey LLP

(57) **CLAIM**

The ornamental design for a spinning top toy, as shown and described.

DESCRIPTION

FIG. 1 is a front view of the spinning top toy showing my design;

FIG. 2 is a left side view thereof;

FIG. 3 is a rear view thereof;

FIG. 4 is right side view thereof;

FIG. 5 is a bottom view thereof;

FIG. 6 is a perspective view thereof;

FIG. 7 is a top view thereof;

FIG. 8 is a front view of the spinning top toy, corresponding to FIG. 1 but showing contour shading to the exterior parts and with the interior parts omitted for clarity of disclosure;

FIG. 9 is a left side view thereof corresponding to FIG. 2 but showing contour shading to the exterior parts and with the interior parts omitted for clarity of disclosure;

FIG. 10 is a rear view thereof corresponding to FIG. 3 but showing contour shading to the exterior parts and with the interior parts omitted for clarity of disclosure;

FIG. 11 is right side view thereof corresponding to FIG. 4 but showing contour shading to the exterior parts and with the interior parts omitted for clarity of disclosure;

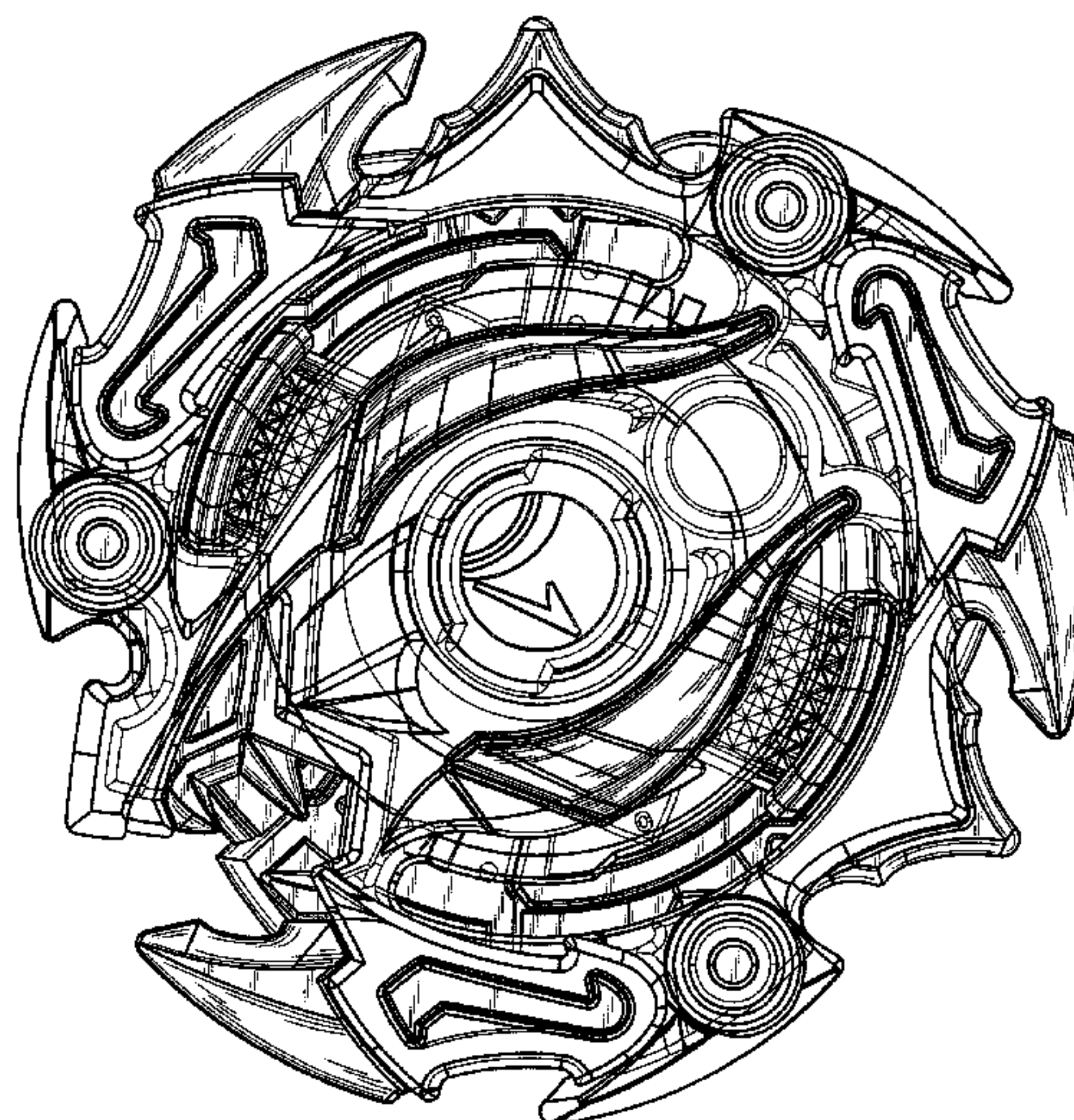
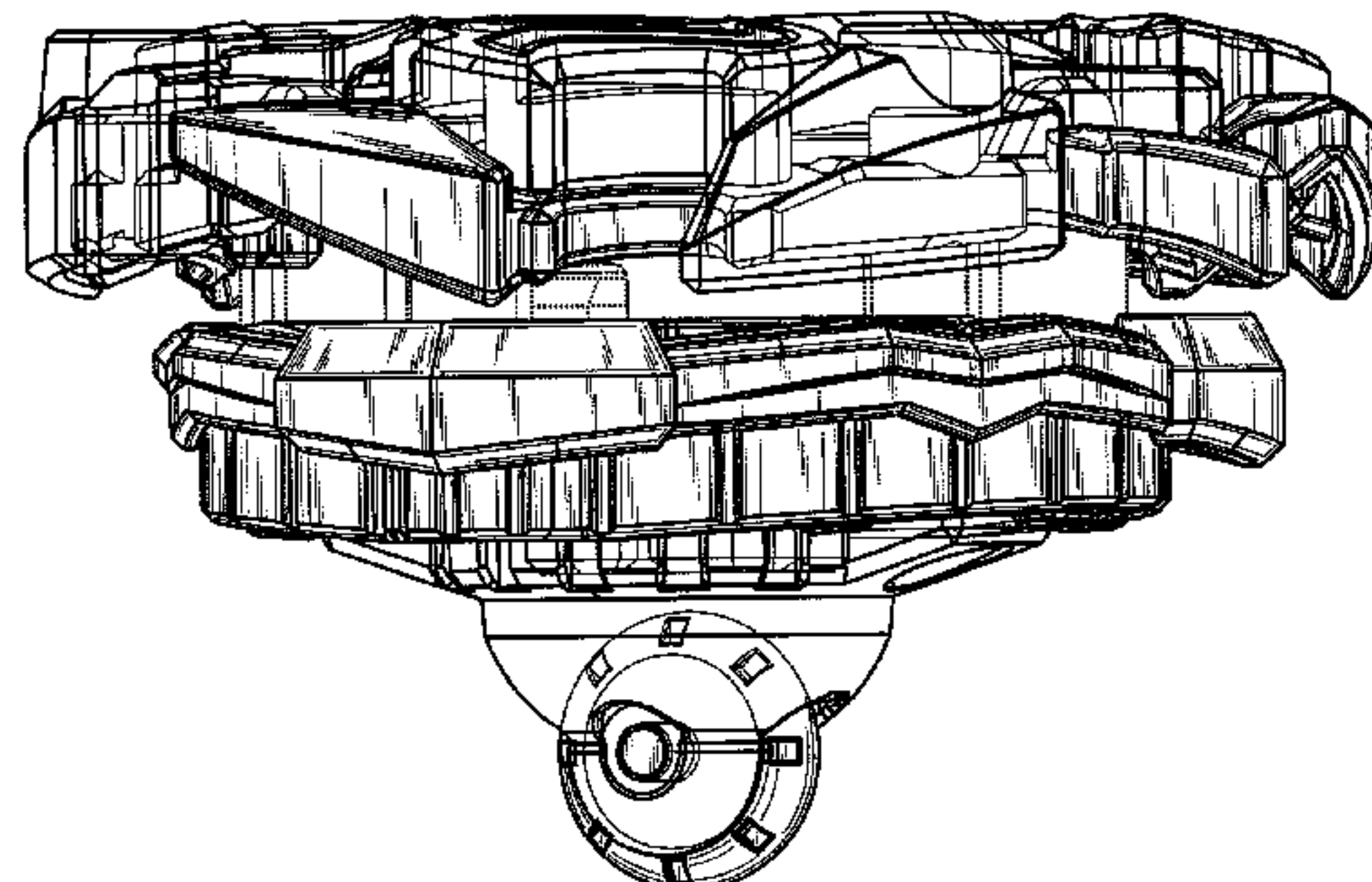
FIG. 12 is a bottom view thereof corresponding to FIG. 5 but showing contour shading to the exterior parts and with the interior parts omitted for clarity of disclosure;

FIG. 13 is perspective view thereof corresponding to FIG. 6 but showing contour shading to the exterior parts and with the interior parts omitted for clarity of disclosure; and,

FIG. 14 is a top view thereof corresponding to FIG. 7 but showing contour shading to the exterior parts and with the interior parts omitted for clarity of disclosure.

The portions of the spinning top toy shown in broken lines form no part of the claimed design.

1 Claim, 14 Drawing Sheets



(58) **Field of Classification Search**

CPC A63H 1/00–1/32; A63F 9/16
See application file for complete search history.

(56) **References Cited**

U.S. PATENT DOCUMENTS

D639,348 S * 6/2011 Ujita D21/460
D639,869 S * 6/2011 Nishimoto D21/460
D660,918 S * 5/2012 Ujita D21/460
D666,252 S * 8/2012 Ujita D21/460
D666,253 S * 8/2012 Ujita D21/460
D834,101 S * 11/2018 Horikoshi D21/460
D834,102 S * 11/2018 Muraki D21/460
2003/0064660 A1* 4/2003 Matsukawa A63F 3/00895
446/256
2015/0017872 A1* 1/2015 Choi A63H 1/02
446/259
2016/0325190 A1* 11/2016 Muraki A63H 1/02

FOREIGN PATENT DOCUMENTS

CN 303467759 * 11/2015
CN 303533300 * 12/2015
JP 3160657 U * 7/2010
JP D1549776 * 5/2016
JP D1549783 * 5/2016
JP D1565799 * 12/2016
KR 300847433.0000 * 3/2016

* cited by examiner

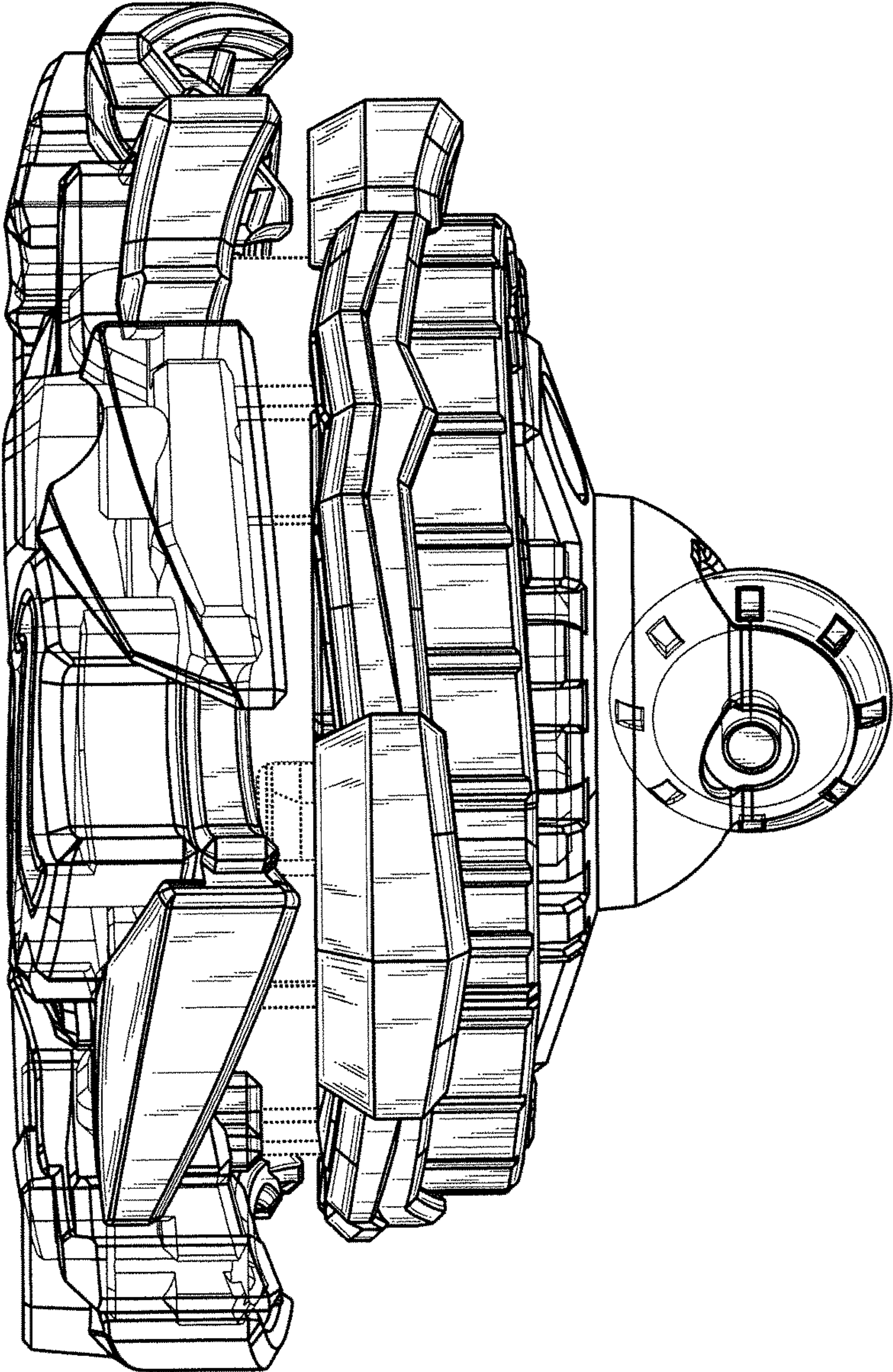


FIG.1

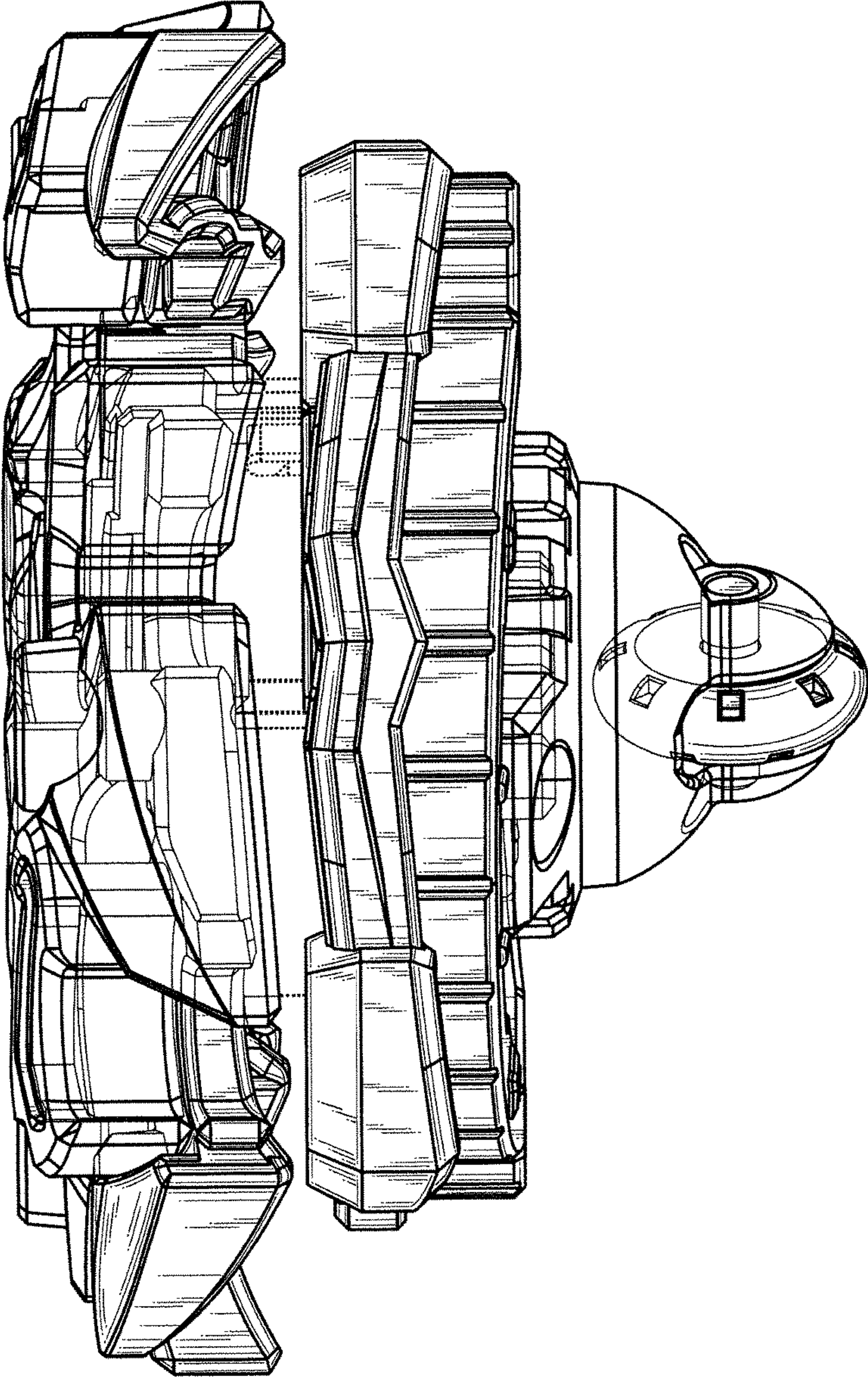


FIG.2

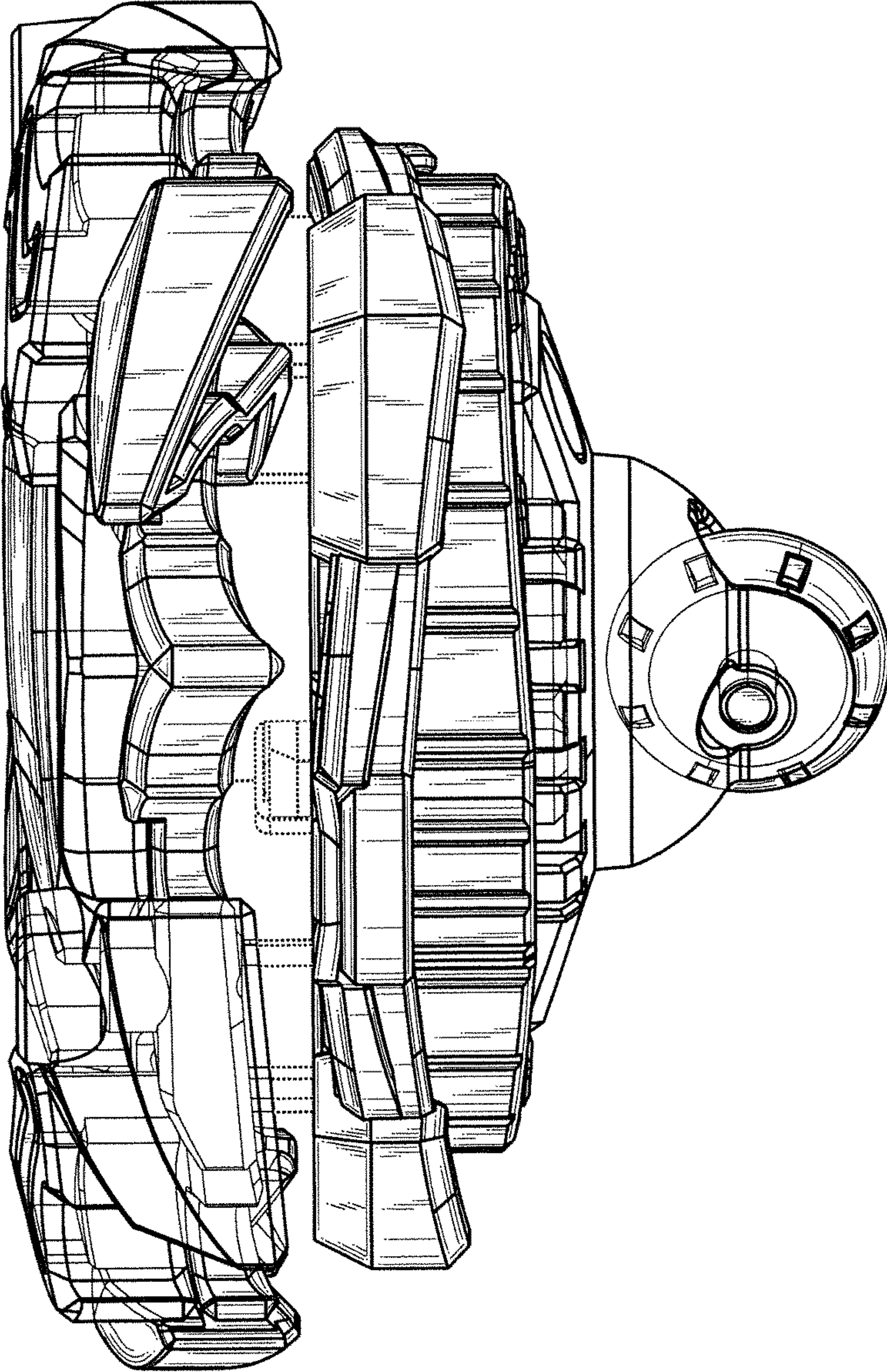


FIG.3

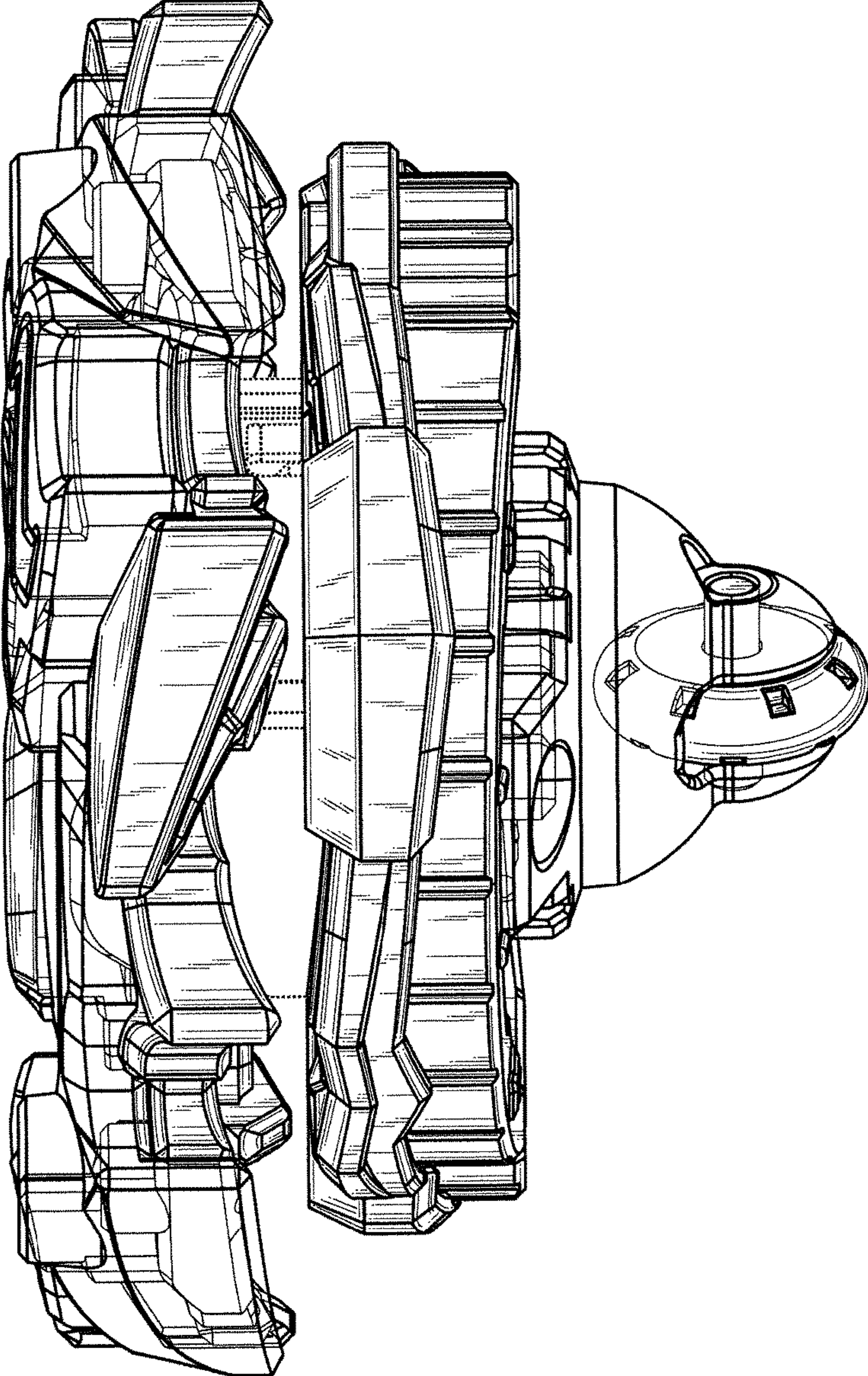


FIG.4

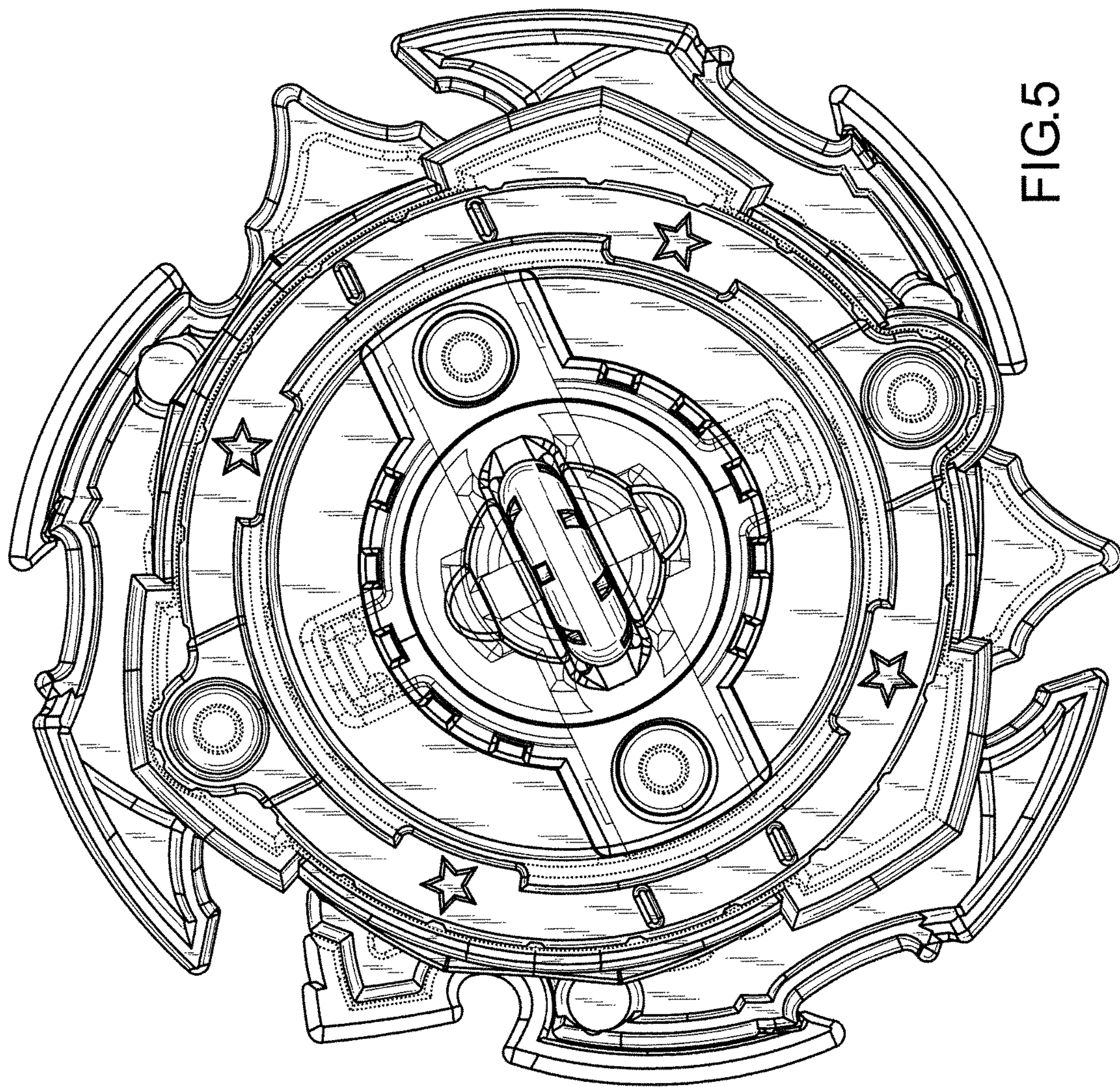


FIG.5

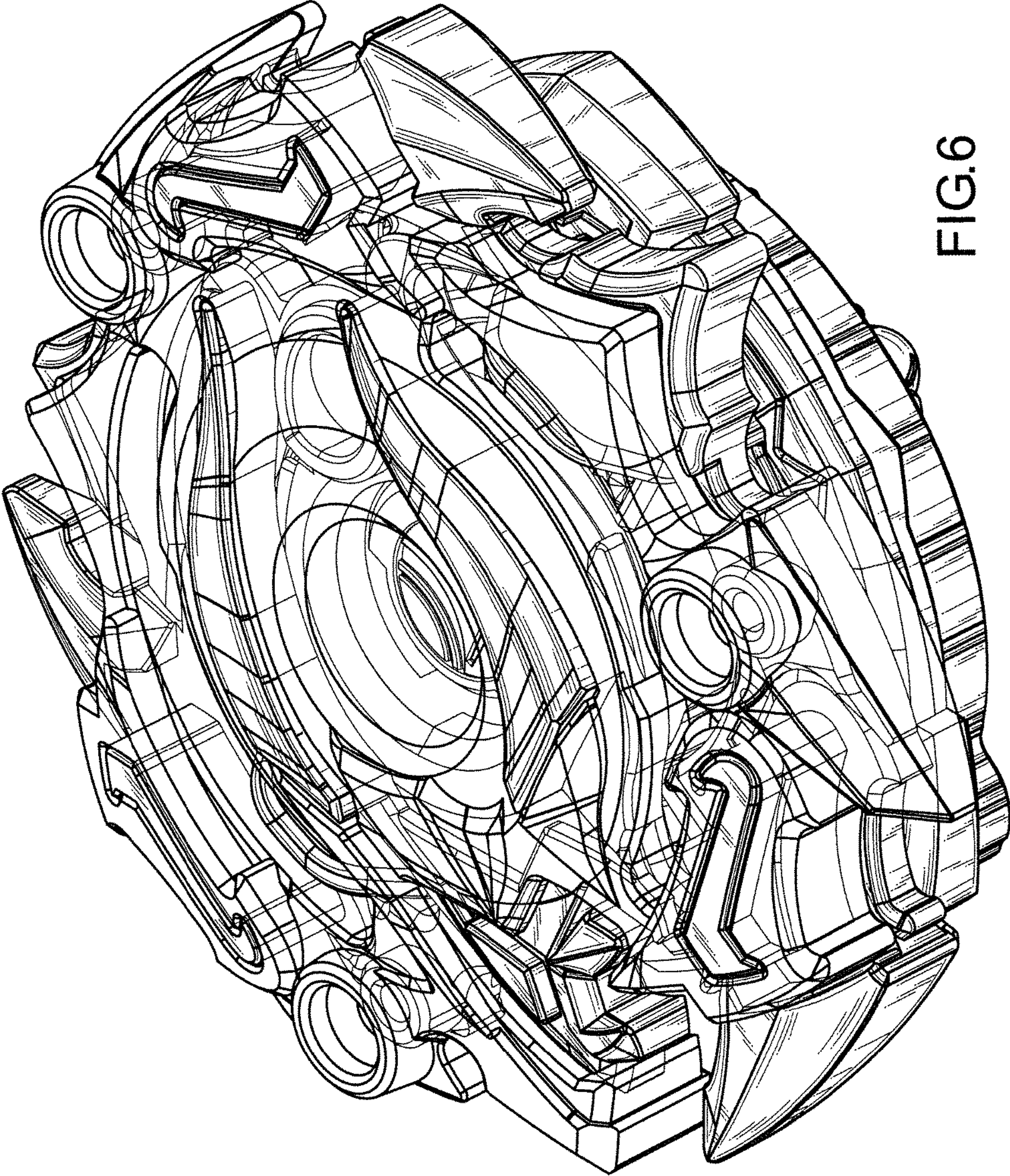


FIG. 6

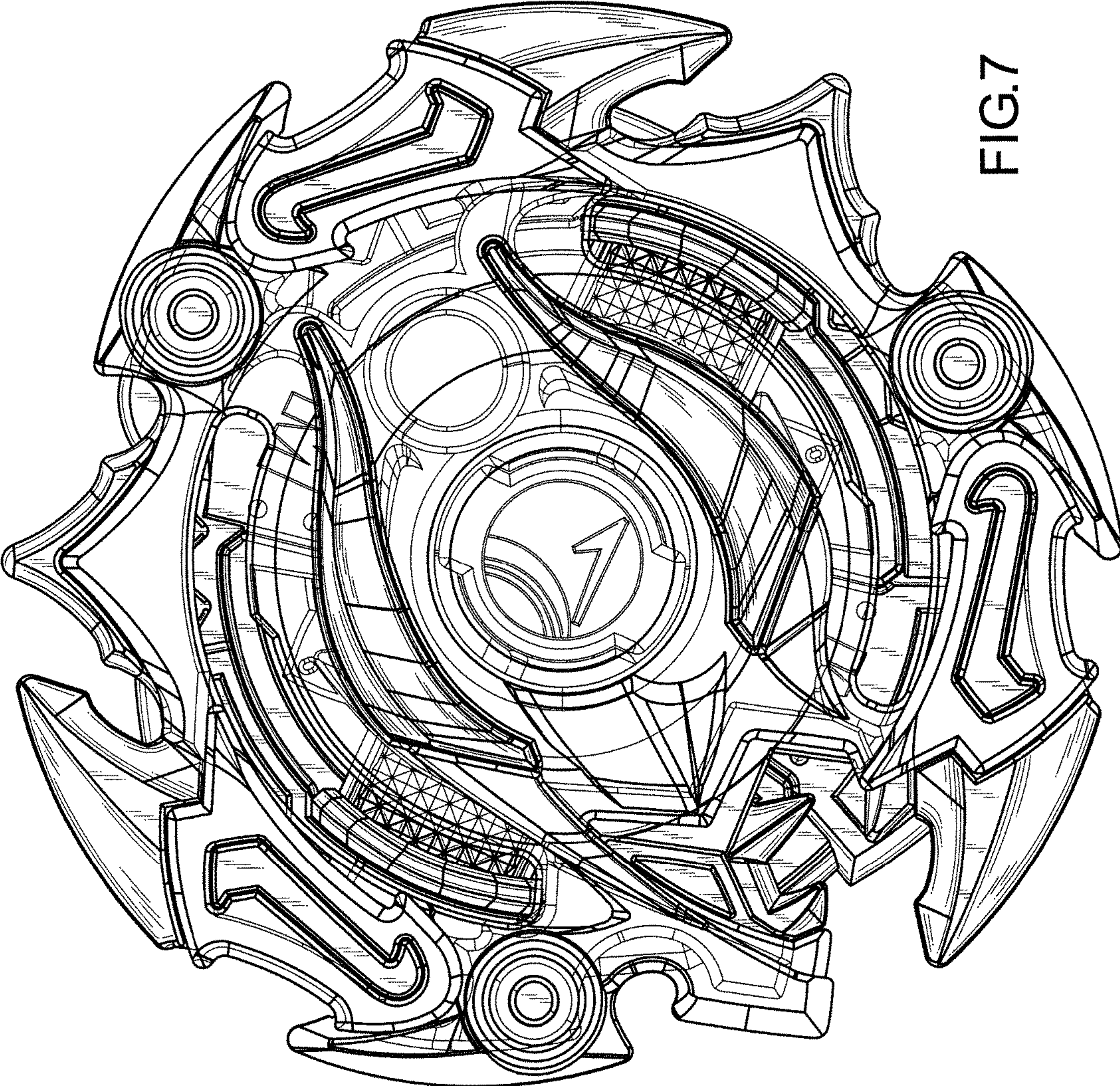


FIG. 7

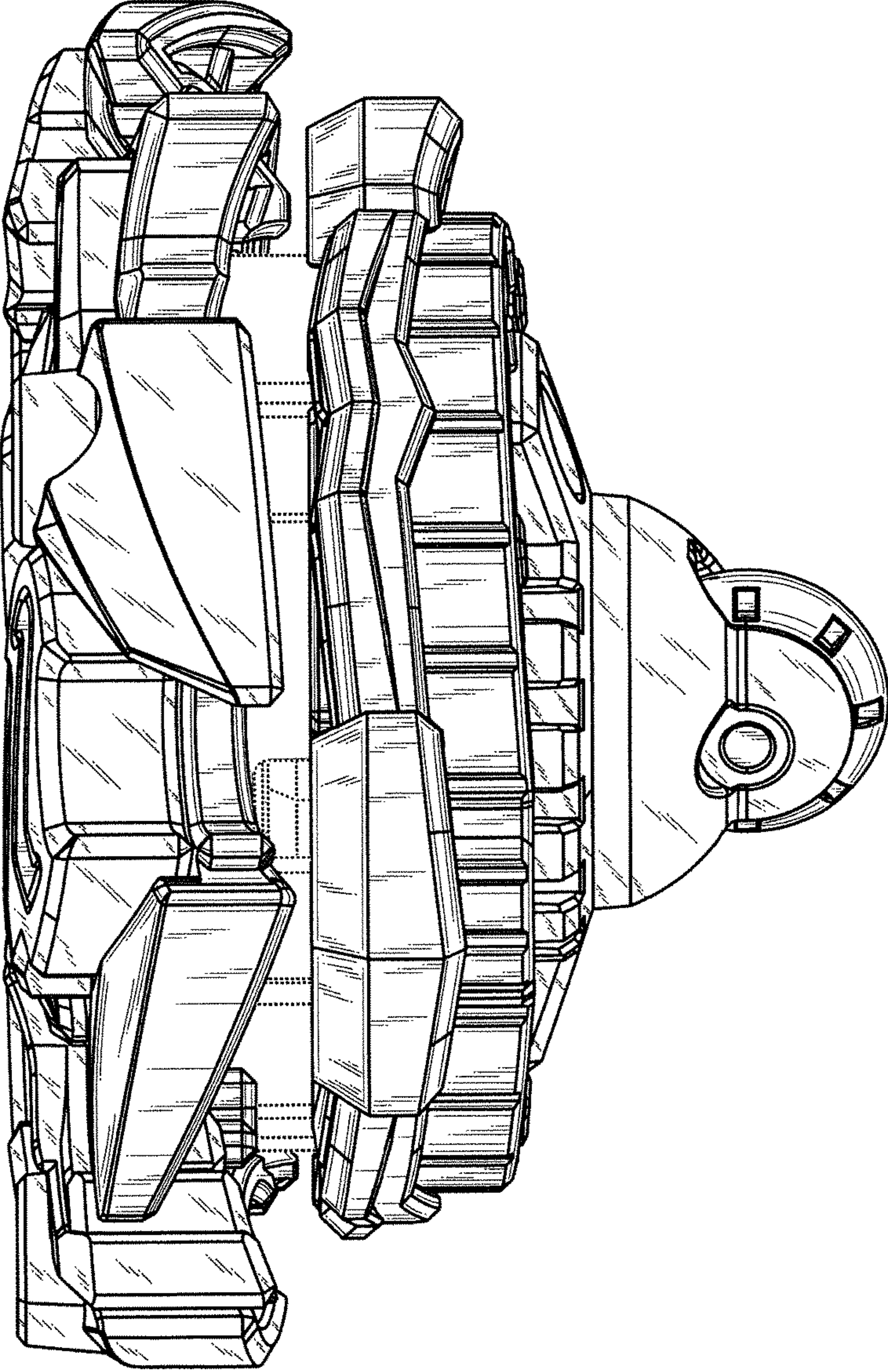


FIG.8

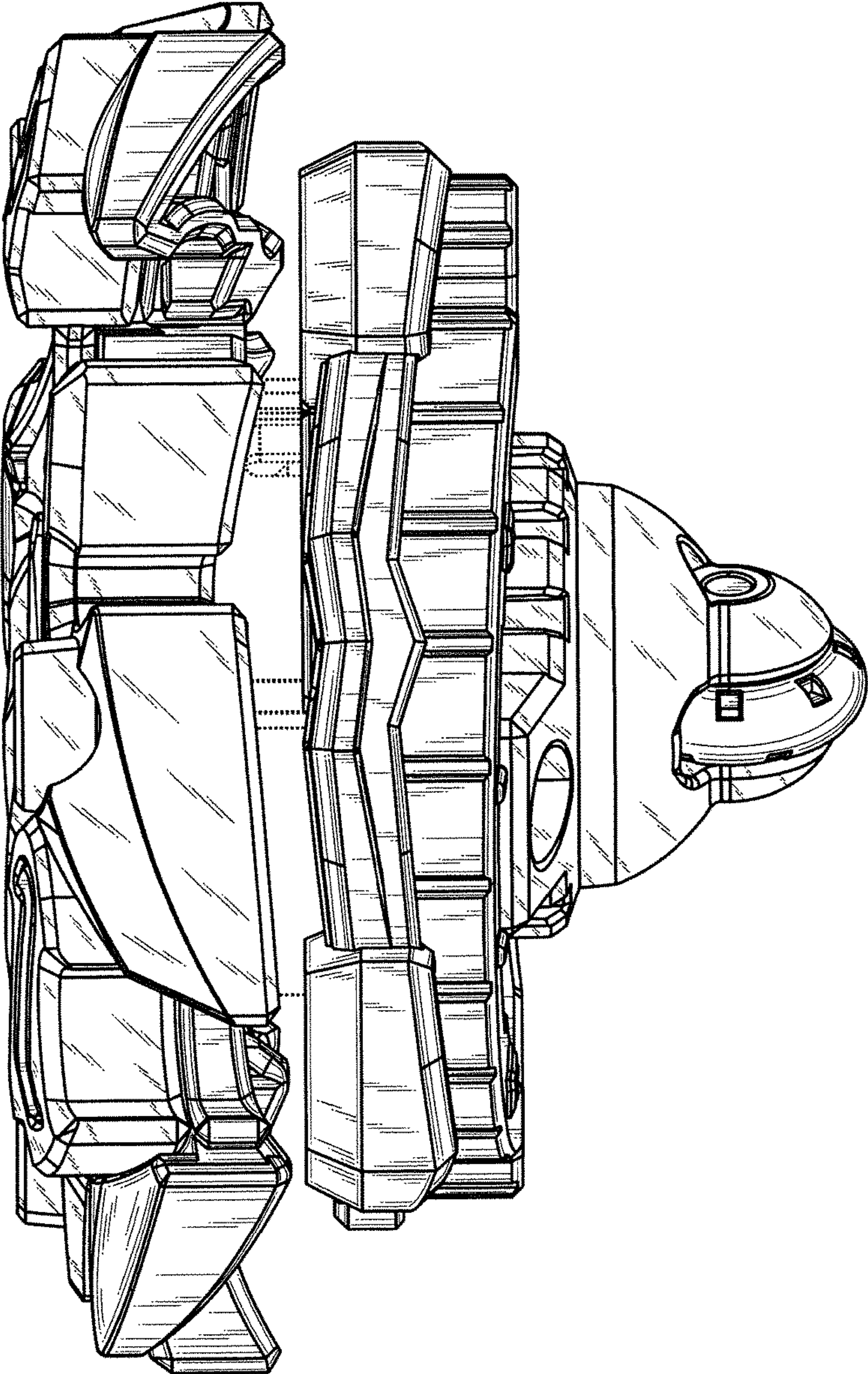


FIG.9

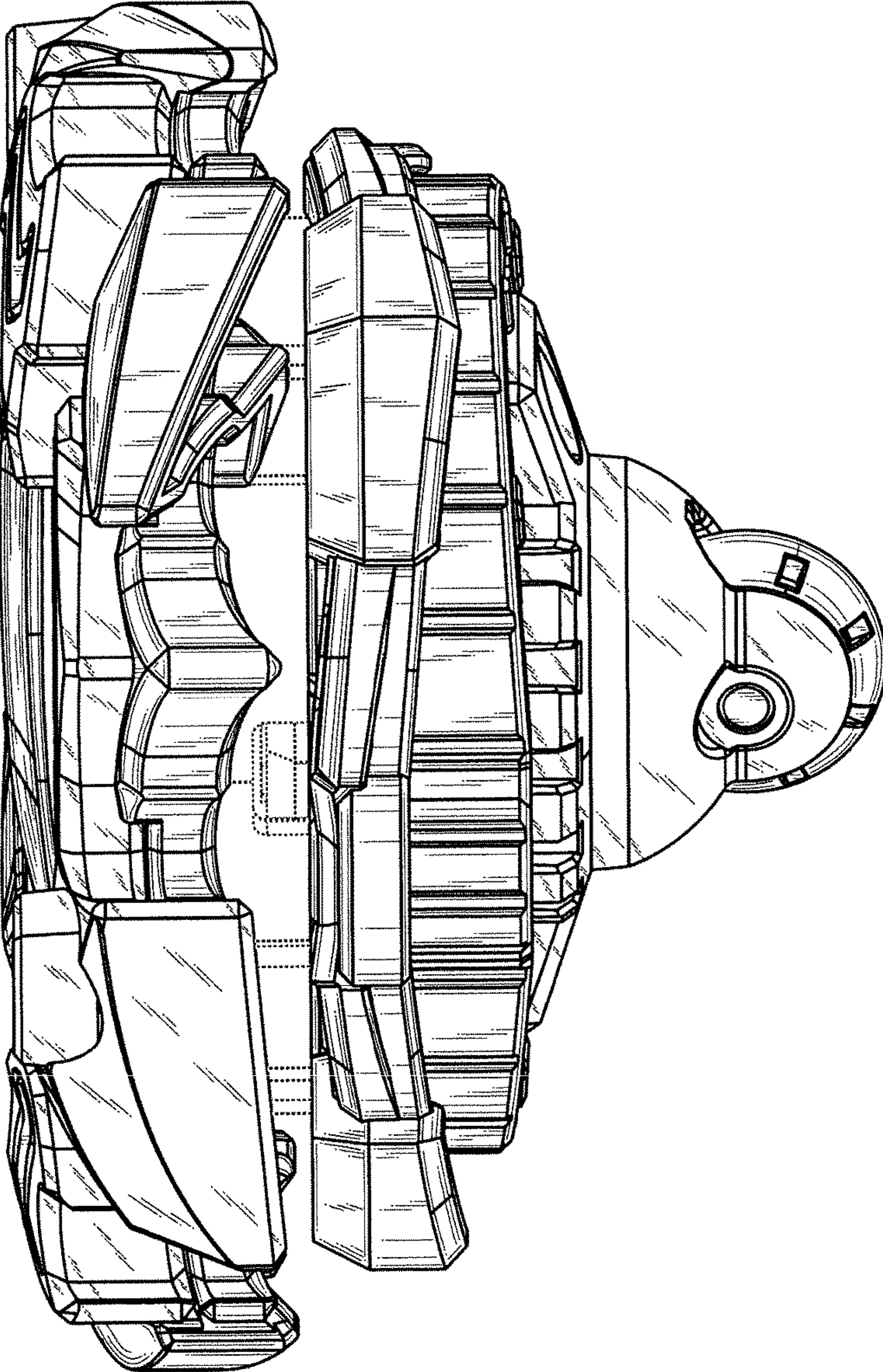


FIG.10

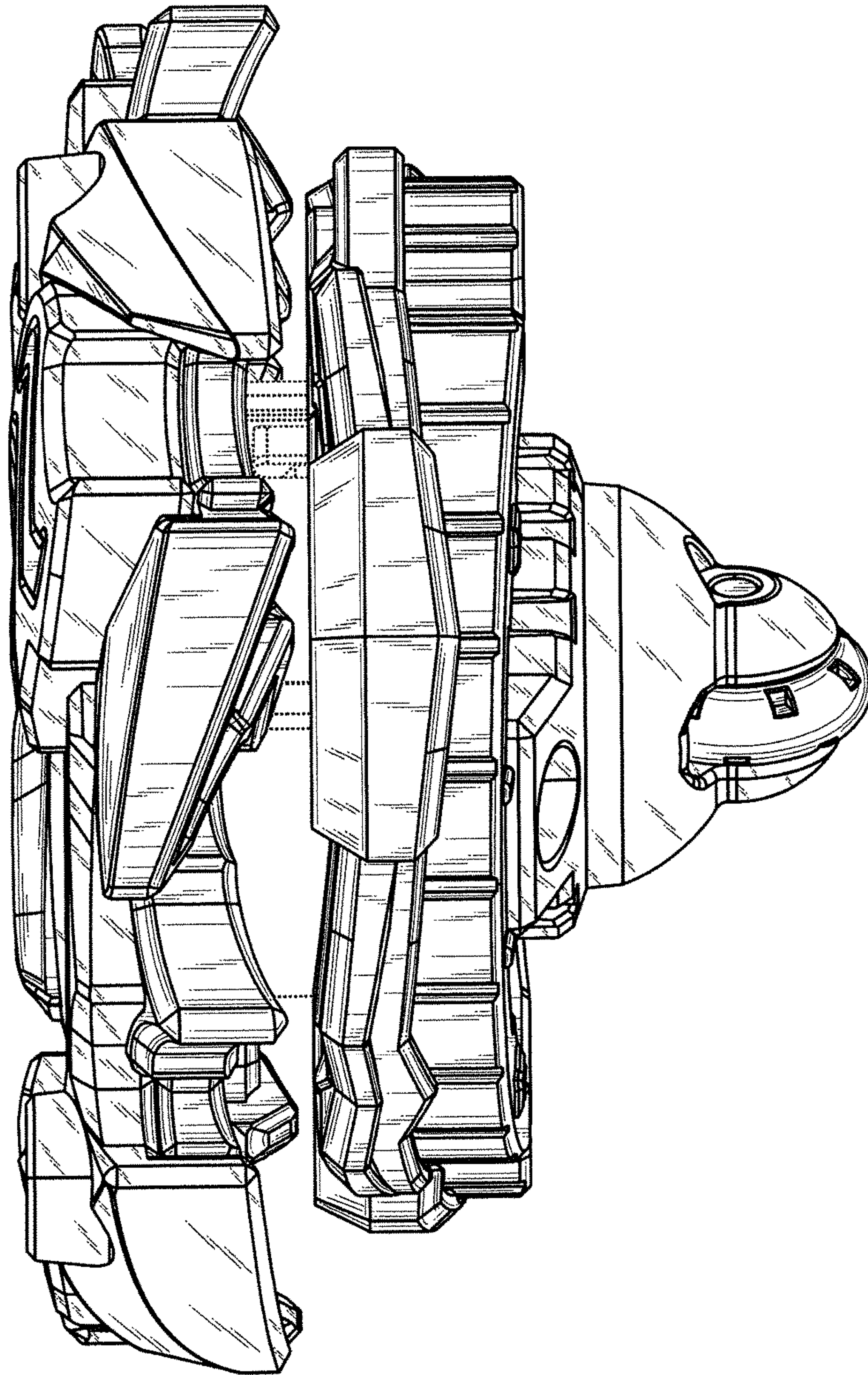


FIG.11

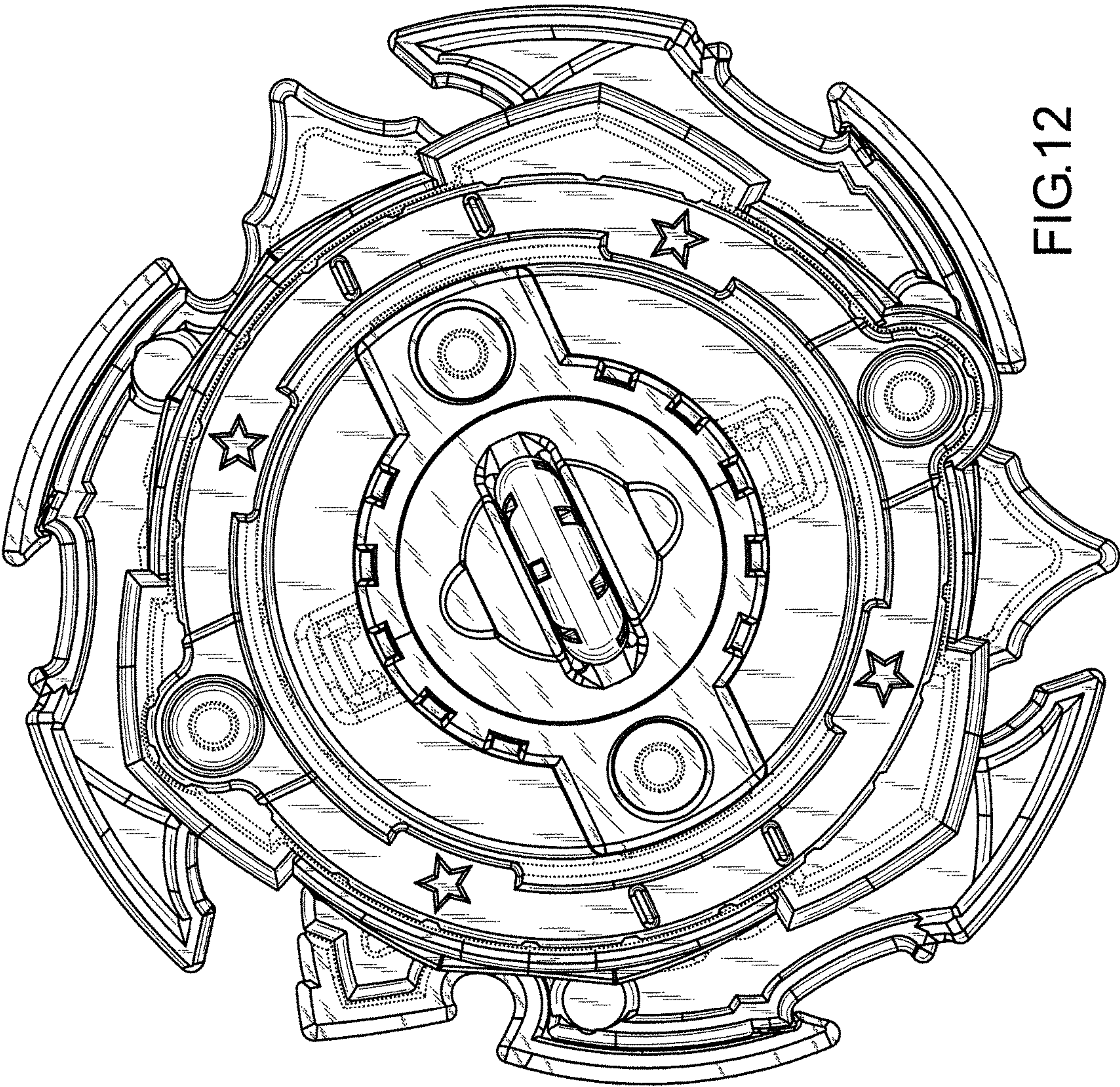


FIG.12

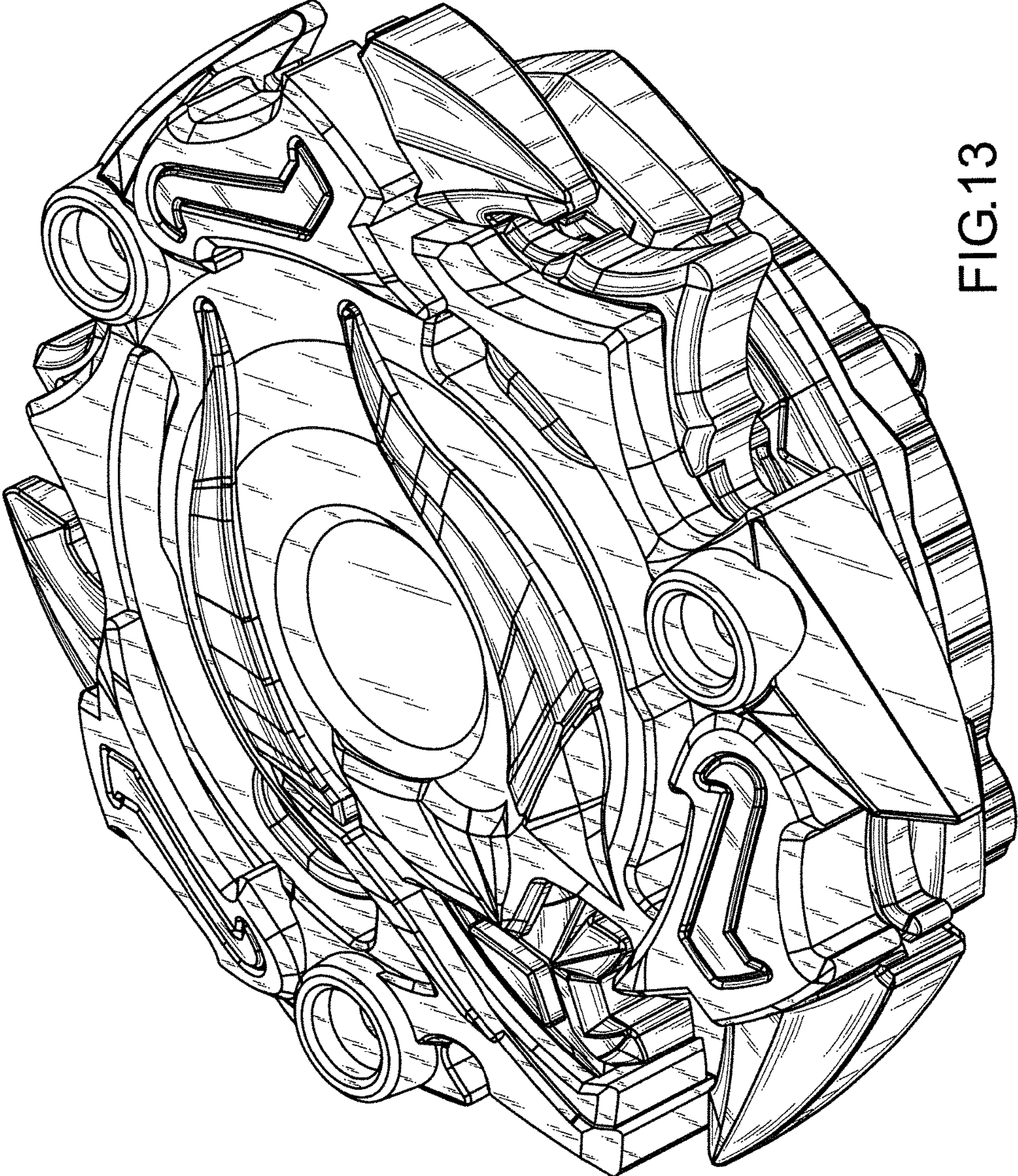


FIG.13

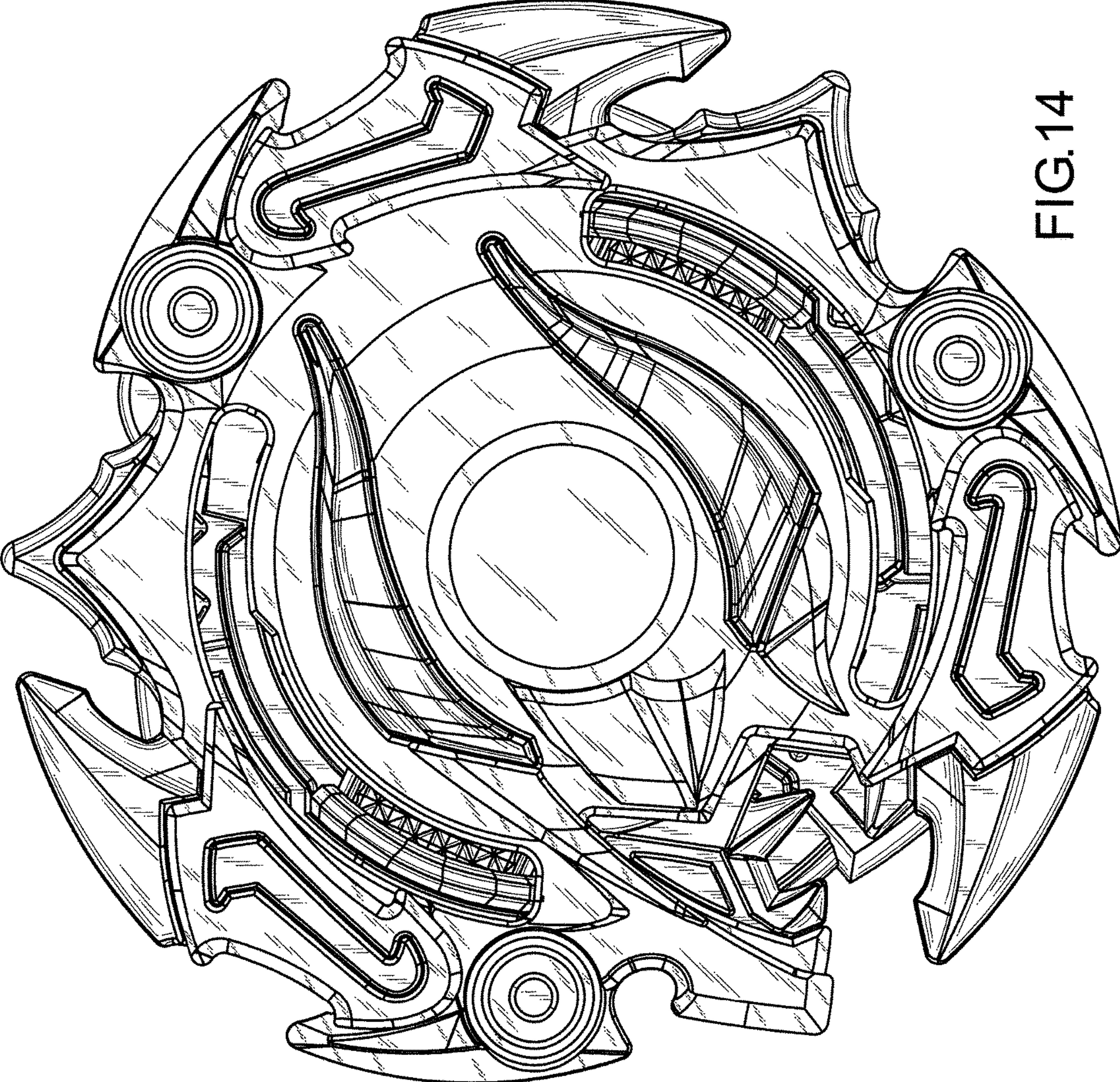


FIG.14