



US00D849845S

(12) **United States Design Patent** (10) **Patent No.:** **US D849,845 S**
Zhao (45) **Date of Patent:** **** May 28, 2019**

(54) **REMOTE CONTROL FLYING TOY**
(71) Applicant: **Jian Gui Zhao**, Zhangzhou (CN)
(72) Inventor: **Jian Gui Zhao**, Zhangzhou (CN)
(**) Term: **15 Years**
(21) Appl. No.: **29/639,827**
(22) Filed: **Mar. 9, 2018**
(51) **LOC (11) Cl.** **21-01**
(52) **U.S. Cl.**
USPC **D21/436**
(58) **Field of Classification Search**
USPC D12/16.1, 319-345; D21/436, 438, 441,
D21/442, 443, 444, 447, 448, 449, 450,
D21/451, 452, 454
CPC ... B64C 29/00; B64C 2201/141; B64C 27/24;
B64C 27/30; B64C 39/04; B64C 29/0033;
B64C 29/0025
See application file for complete search history.

D798,962 S * 10/2017 Xiao D21/441
D798,963 S * 10/2017 Xiao D21/441
D800,016 S * 10/2017 Huang D12/16.1
D808,301 S * 1/2018 Goldy D12/16.1
D813,724 S * 3/2018 Hu D12/16.1
D814,385 S * 4/2018 Zhao D12/328
D814,970 S * 4/2018 Chen D12/16.1
D818,872 S * 5/2018 Ho D12/16.1
D818,874 S * 5/2018 Tian D12/16.1
D825,380 S * 8/2018 Tompkin D12/16.1
D825,381 S * 8/2018 Meugnier D12/16.1
D825,669 S * 8/2018 Tompkin D21/441
D827,723 S * 9/2018 Barajas D21/442
D829,283 S * 9/2018 Cai D21/441
2017/0174316 A1 * 6/2017 Huddleston, Jr. B64C 11/00
2017/0259914 A1 * 9/2017 Bevirt B64C 27/52
2018/0002023 A1 * 1/2018 Tian B64D 33/08

* cited by examiner

Primary Examiner — Marissa J Cash

(57) **CLAIM**

The ornamental design for a remote control flying toy, as shown and described.

(56) **References Cited**

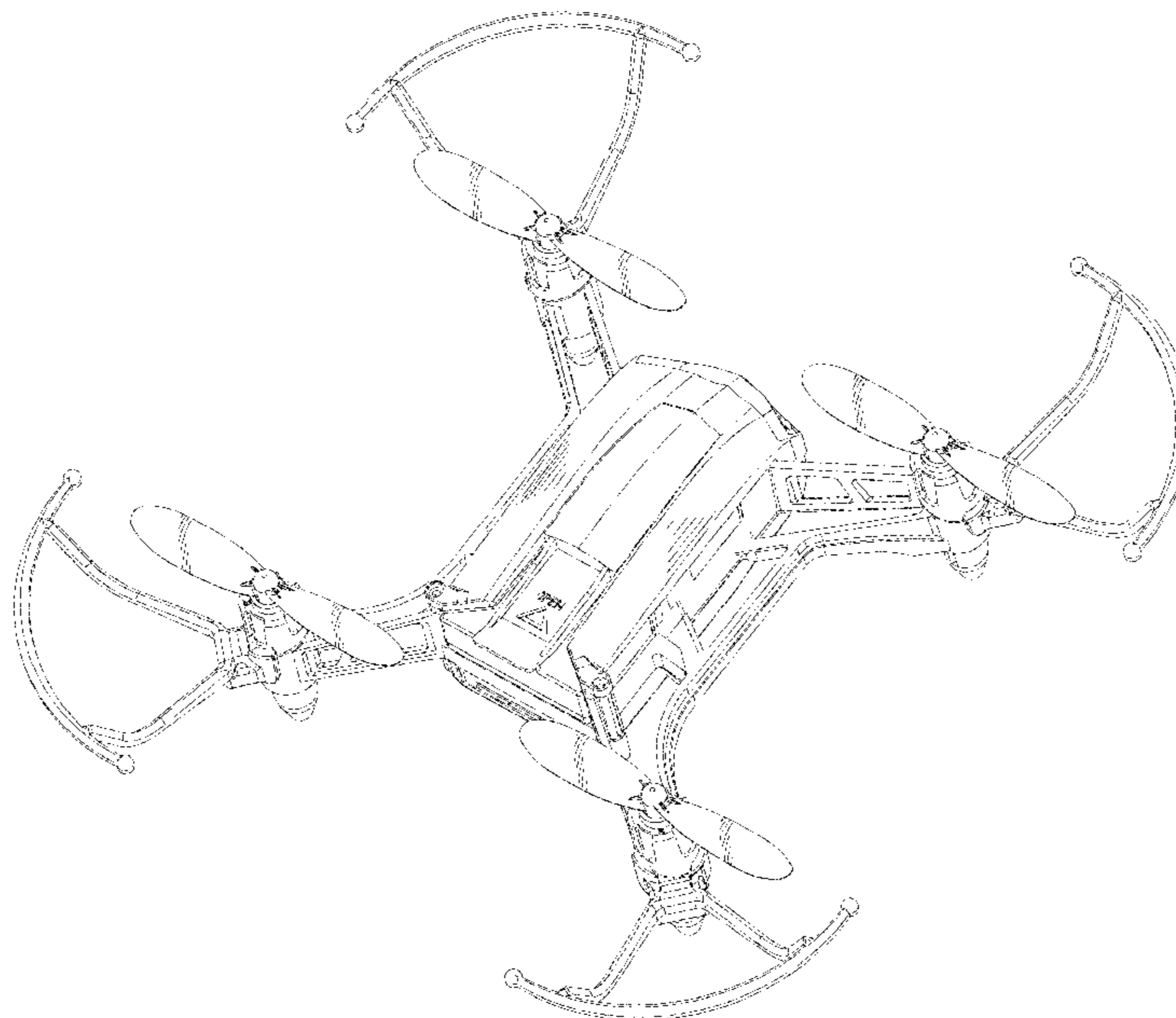
U.S. PATENT DOCUMENTS

D756,842 S * 5/2016 Ashjaee D12/16.1
D759,764 S * 6/2016 Lai D12/16.1
D768,539 S * 10/2016 Lee D12/16.1
D768,540 S * 10/2016 Ji D12/16.1
D772,991 S * 11/2016 Caubel D12/16.1
D783,727 S * 4/2017 Xiao D21/441
D785,717 S * 5/2017 Xiao D21/441
D793,482 S * 8/2017 Wang D12/16.1
D795,741 S * 8/2017 Li D12/16.1
D795,742 S * 8/2017 Li D12/16.1
D795,743 S * 8/2017 Li D12/16.1
D797,602 S * 9/2017 Li D12/16.1
D797,859 S * 9/2017 Caubel D21/441

DESCRIPTION

FIG. 1 is a front elevational view of a remote control flying toy showing my new design;
FIG. 2 is a rear elevational view thereof;
FIG. 3 is a left side elevational view thereof;
FIG. 4 is a right side elevational view thereof;
FIG. 5 is a top plan view thereof;
FIG. 6 is a bottom plan view thereof; and,
FIG. 7 is a front perspective view thereof.
The broken lines in the FIG. 2 depict portions of the remote control flying toy that forms no part of the claimed design.

1 Claim, 7 Drawing Sheets



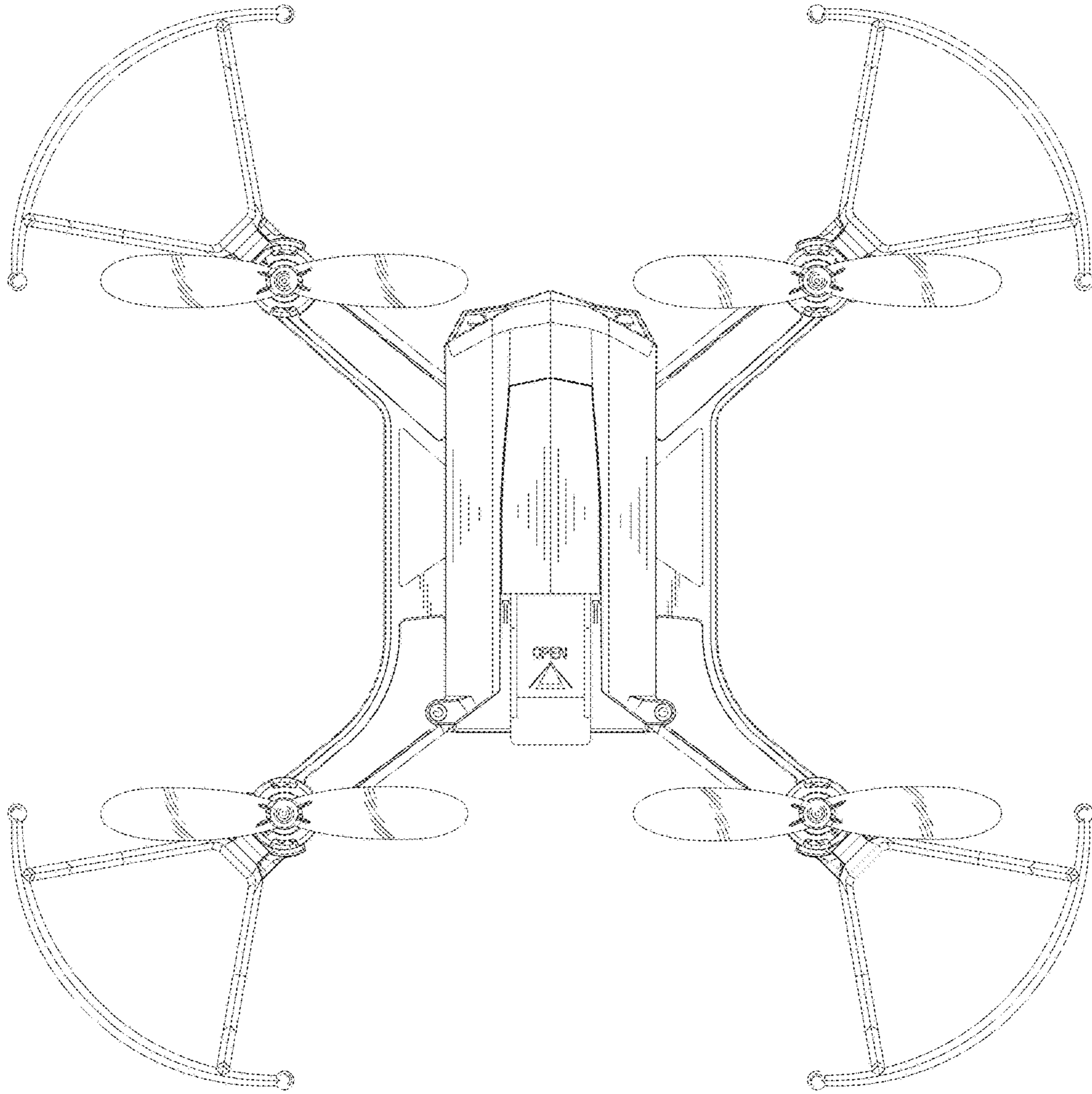


FIG.1

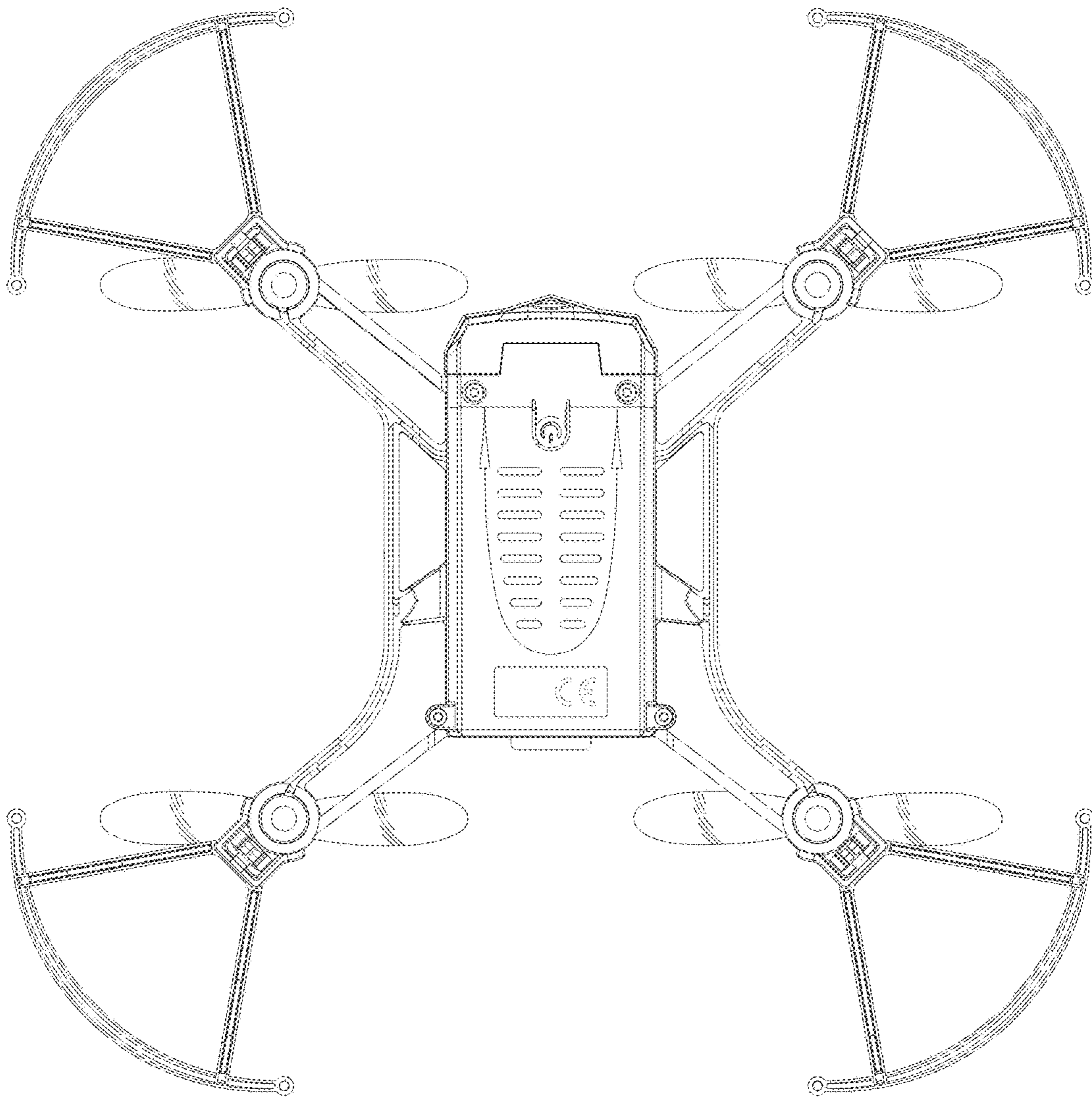


FIG.2

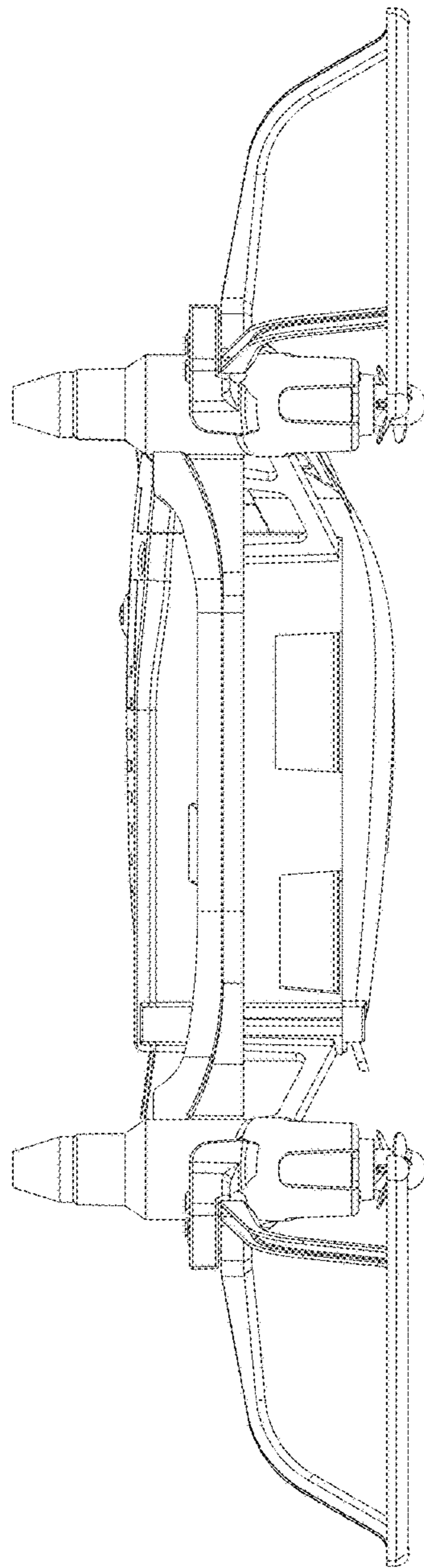


FIG.3

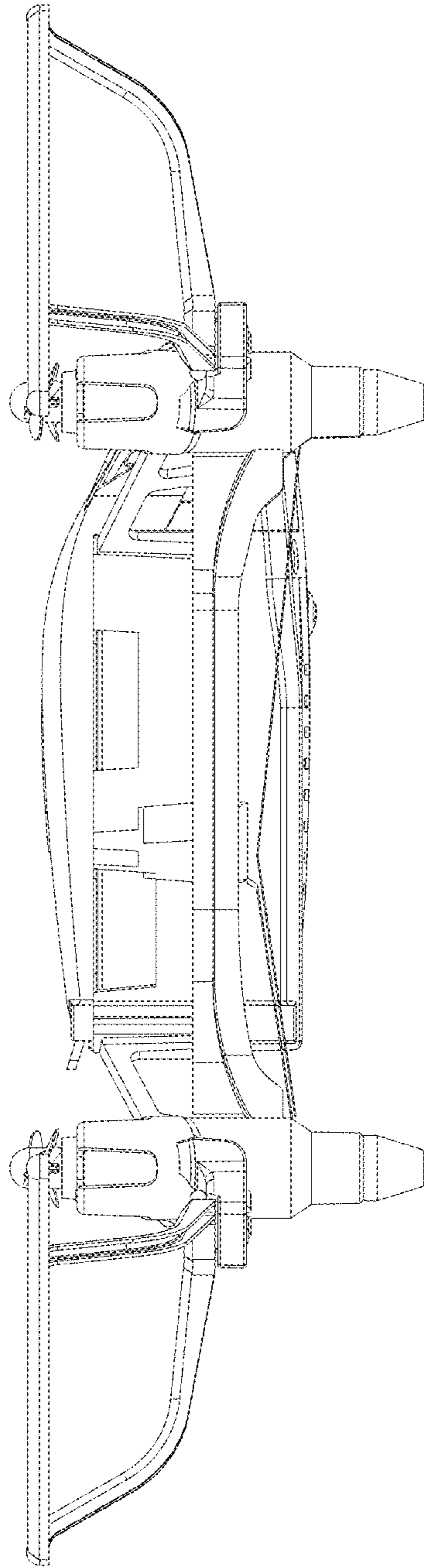


FIG.4

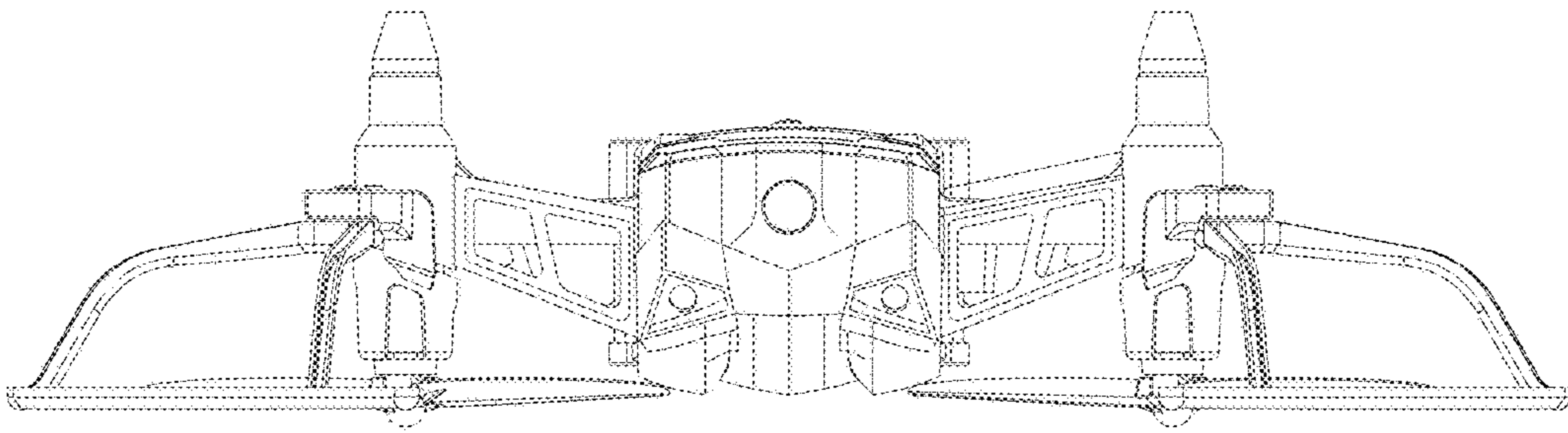


FIG.5

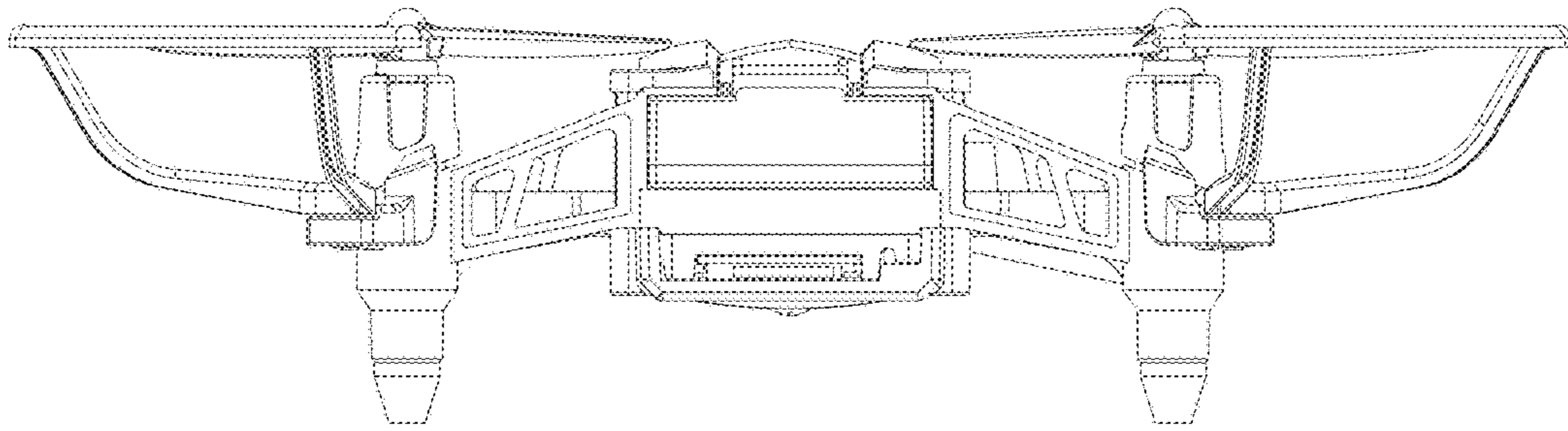


FIG.6

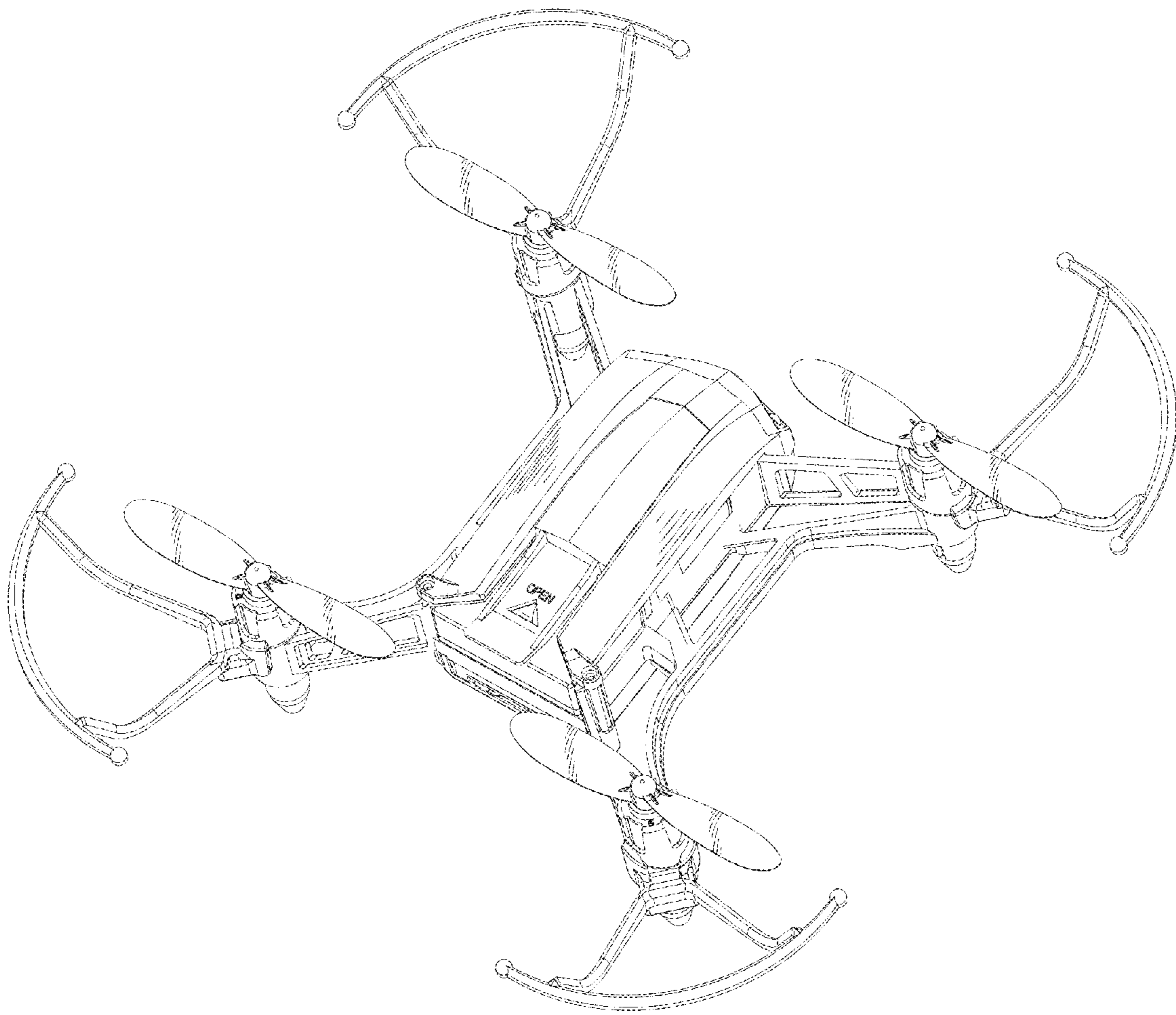


FIG.7