



US00D849839S

(12) **United States Design Patent**  
**Chang**

(10) **Patent No.:** **US D849,839 S**

(45) **Date of Patent:** **\*\* May 28, 2019**

(54) **ELECTRONIC SENSING PAYMENT DEVICE**

(71) Applicant: **INTERNATIONAL CURRENCY TECHNOLOGIES CORPORATION, Taipei (TW)**

(72) Inventor: **Chia-Min Chang, Taipei (TW)**

(73) Assignee: **INTERNATIONAL CURRENCY TECHNOLOGIES CORPORATION, Taipei (TW)**

(\*\*) Term: **15 Years**

(21) Appl. No.: **29/613,170**

(22) Filed: **Aug. 8, 2017**

(51) **LOC (11) Cl.** ..... **20-01**

(52) **U.S. Cl.**  
USPC ..... **D20/8; D18/12.1; D18/3.3**

(58) **Field of Classification Search**  
USPC ..... D18/3.1, 3.2, 3.3, 12, 12.1, 46, 47, 49, D18/4.4, 4.6; D14/383, 385, 386, 901, D14/902; D99/28, 34, 36, 43; D10/46, D10/97, 103; D20/1, 8, 9; D19/78, 86, D19/99, 100

CPC ... G07F 7/00; G07F 7/04; G07F 1/044; G07F 9/026; G07F 19/20; G07F 19/202; G07F 19/205; G07D 7/121; G07D 7/161; G07D 11/00; G07D 11/0018; G07D 11/0021; G07D 11/0024; G07D 11/0027; G07D 11/003; G07D 11/0054; G07D 11/0084; G07D 11/0087; G07D 13/00; G07D 2211/00; G02B 6/0051; G02B 6/0055; G02B 6/0075; B65H 29/006; B65H 29/46

See application file for complete search history.

(56) **References Cited**

**U.S. PATENT DOCUMENTS**

D359,765 S \* 6/1995 Izawa ..... D20/9  
5,495,929 A \* 3/1996 Batalianets ..... G07D 7/04  
194/207

5,635,696 A \* 6/1997 Dabrowski ..... G06K 7/084  
194/206  
D477,030 S \* 7/2003 Kolls ..... D20/8  
D477,902 S \* 7/2003 Bergeron ..... D18/3.3  
D498,795 S \* 11/2004 Nunn ..... D20/8  
D506,509 S \* 6/2005 Nunn ..... D20/9  
D525,659 S \* 7/2006 Paczkowski ..... D20/8  
D526,359 S \* 8/2006 Takeuchi ..... D20/8  
D527,768 S \* 9/2006 Suh ..... D20/9  
D543,588 S \* 5/2007 Herbert ..... D18/4.6  
D547,806 S \* 7/2007 Uemizo ..... D20/8  
7,335,903 B1 \* 2/2008 Yang ..... G07D 11/0003  
109/45  
D614,702 S \* 4/2010 Tomiyoshi ..... D20/8

(Continued)

**OTHER PUBLICATIONS**

Document validators. (Design-© Questel) orbit.com.[online PDF] 51 pgs. Print Dates range Jul. 14, 2009-Feb. 13, 2018 [Retrieved on Oct. 15, 2018] <https://sobjprd.questel.fr/export/QPTUJ214/pdf2/d158ea06-1ef5-4b98-a74a-604476803a68-161519.pdf>.\*

*Primary Examiner* — Marie D. Fast Horse  
(74) *Attorney, Agent, or Firm* — Muncy, Geissler, Olds & Lowe, P.C.

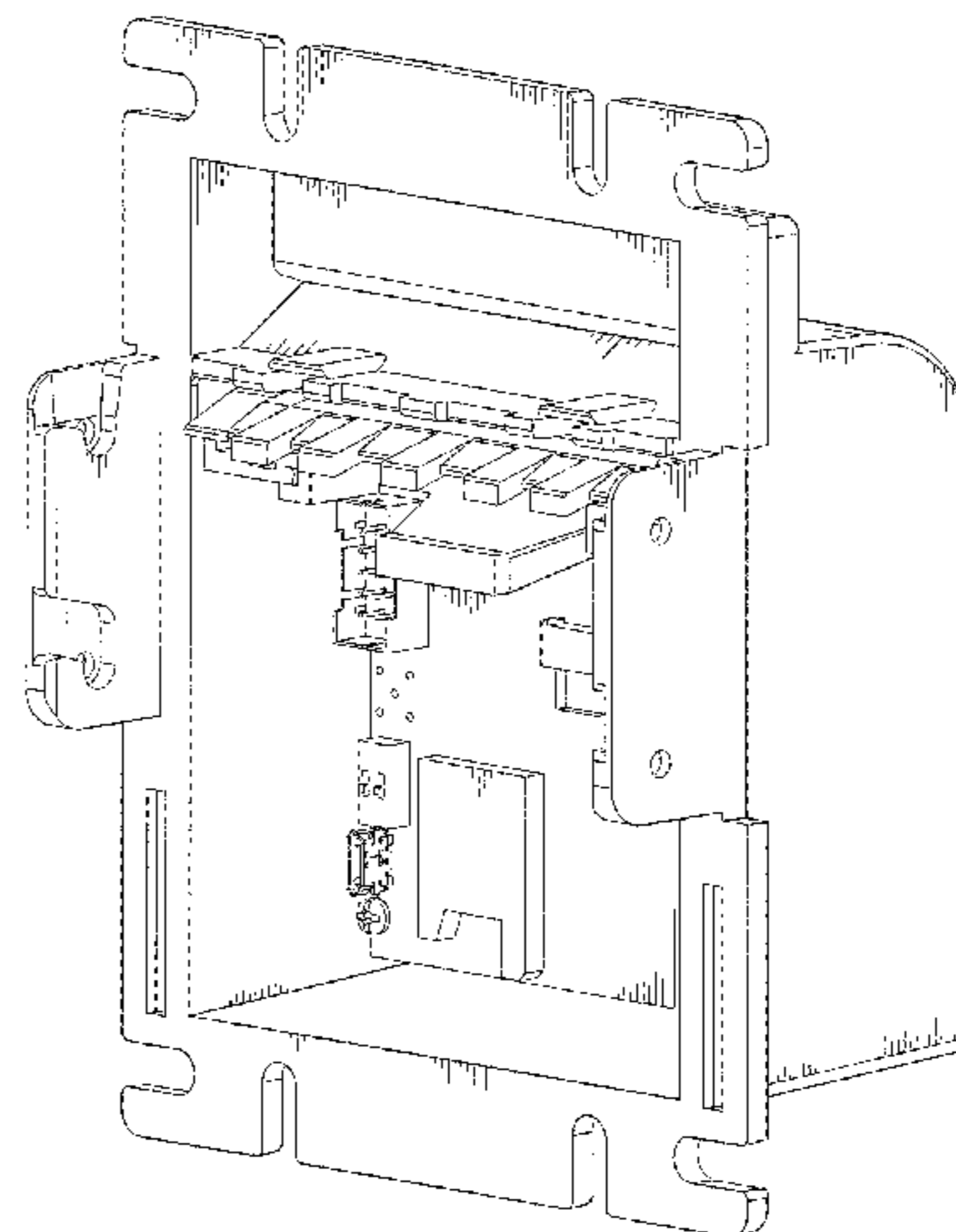
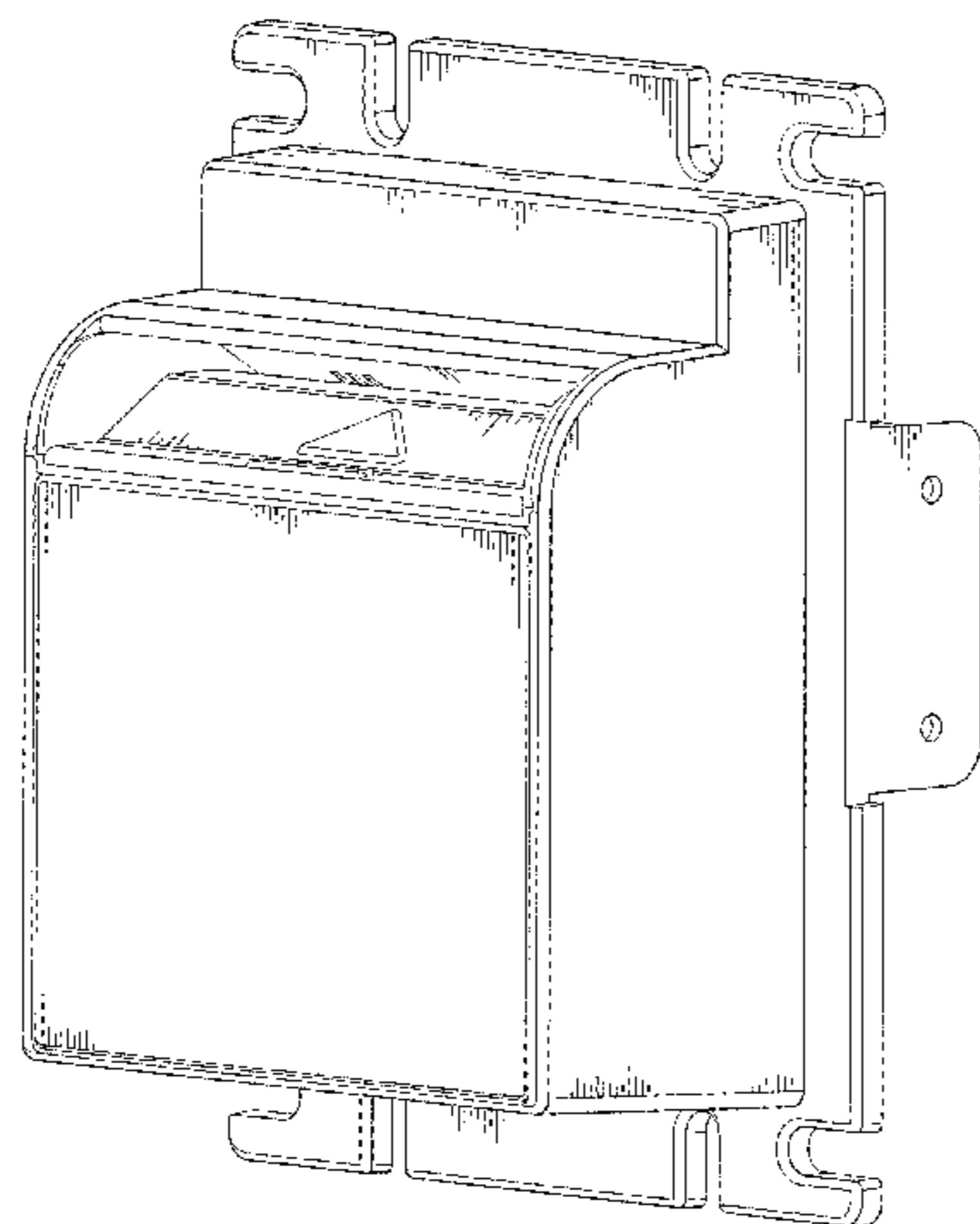
(57) **CLAIM**

The ornamental design for an electronic sensing payment device, as shown and described.

**DESCRIPTION**

FIG. 1 is a perspective view of an electronic sensing payment device showing my design; FIG. 2 is a front view thereof; FIG. 3 is a rear view thereof; FIG. 4 is a left side view thereof; FIG. 5 is a right side view thereof; FIG. 6 is a top view thereof; FIG. 7 is a bottom view thereof; and, FIG. 8 is another perspective view thereof.

**1 Claim, 8 Drawing Sheets**



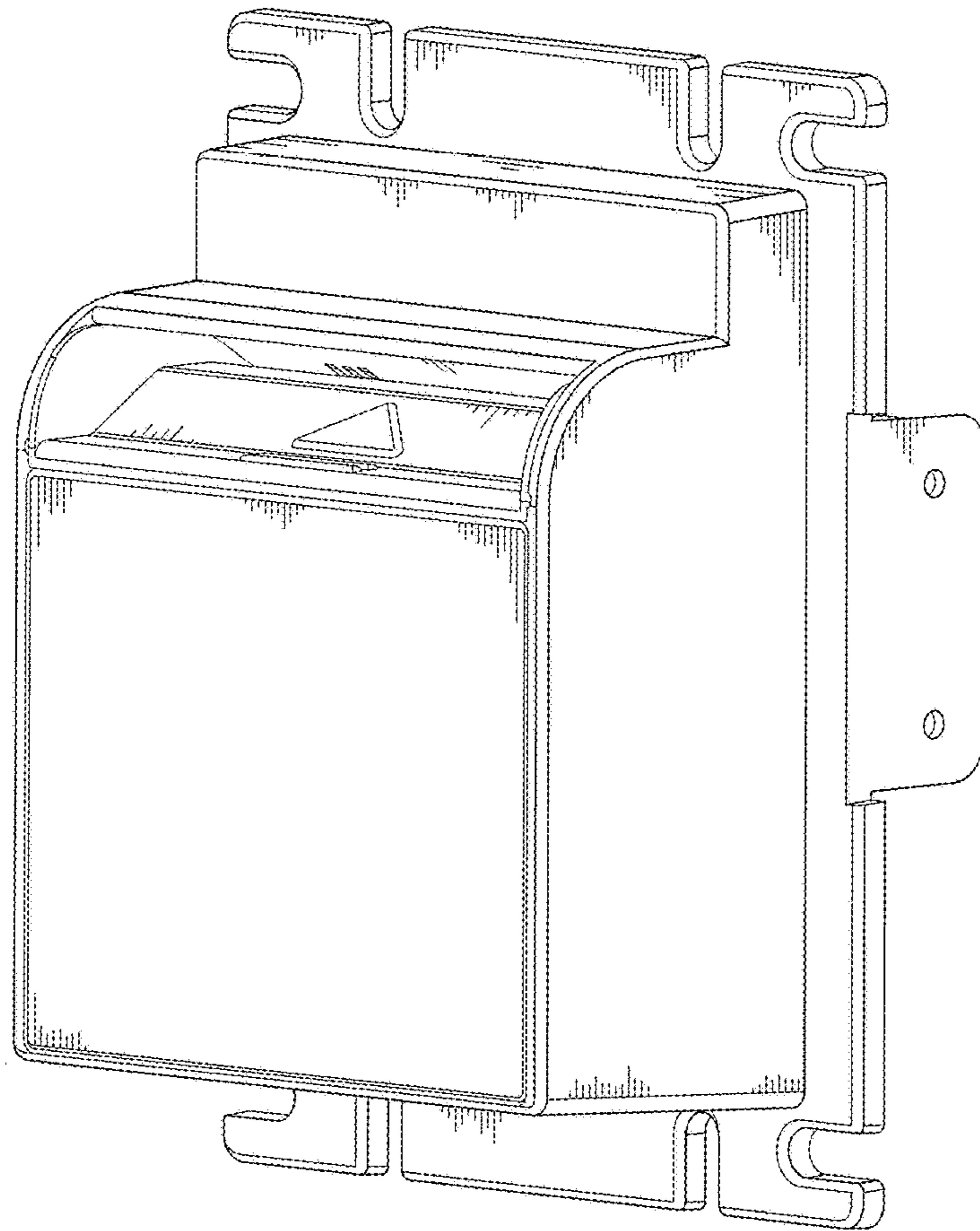
(56)

**References Cited**

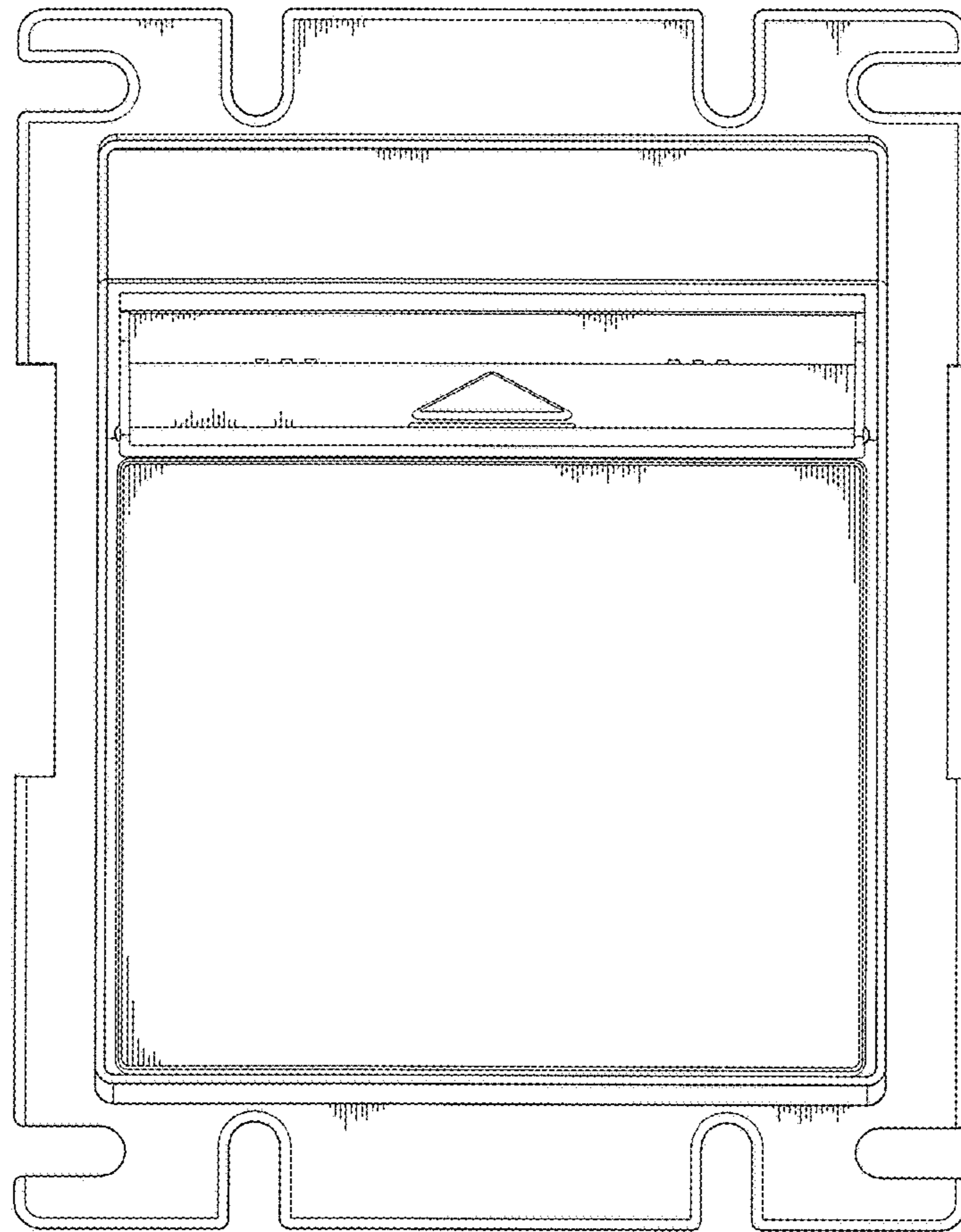
U.S. PATENT DOCUMENTS

7,934,646 B2 *	5/2011	Yang	.....	G07F 19/204	235/381
D689,555 S *	9/2013	Theobald	.....	D20/8	
D694,334 S *	11/2013	Theobald	.....	D20/8	
D736,318 S *	8/2015	Seki	.....	D20/8	
9,218,702 B2 *	12/2015	Bird	.....	G07F 7/04	
D771,629 S *	11/2016	Yang	.....	D14/385	
9,898,883 B1 *	2/2018	Chang	.....	G07D 11/0018	
D815,966 S *	4/2018	Chang	.....	D10/97	
D816,526 S *	5/2018	Chang	.....	D10/97	
2005/0224311 A1 *	10/2005	Tsai	.....	G07F 7/04	194/203
2006/0272921 A1 *	12/2006	Chien	.....	G07F 7/04	194/207
2008/0099547 A1 *	5/2008	Androsyuk	.....	G07F 7/04	232/13
2009/0218395 A1 *	9/2009	Chien	.....	G07F 7/04	235/380
2009/0321516 A1 *	12/2009	Yang	.....	G07F 19/204	235/381
2010/0108462 A1 *	5/2010	Hsieh	.....	G07F 7/04	194/206
2010/0176197 A1 *	7/2010	Huang	.....	G07F 7/04	235/381
2014/0090950 A1 *	4/2014	Johnson	.....	G07F 19/205	194/344
2015/0062960 A1 *	3/2015	Chang	.....	G07F 19/205	362/602
2018/0108201 A1 *	4/2018	Kamihigashi	.....	G07F 19/205	

\* cited by examiner

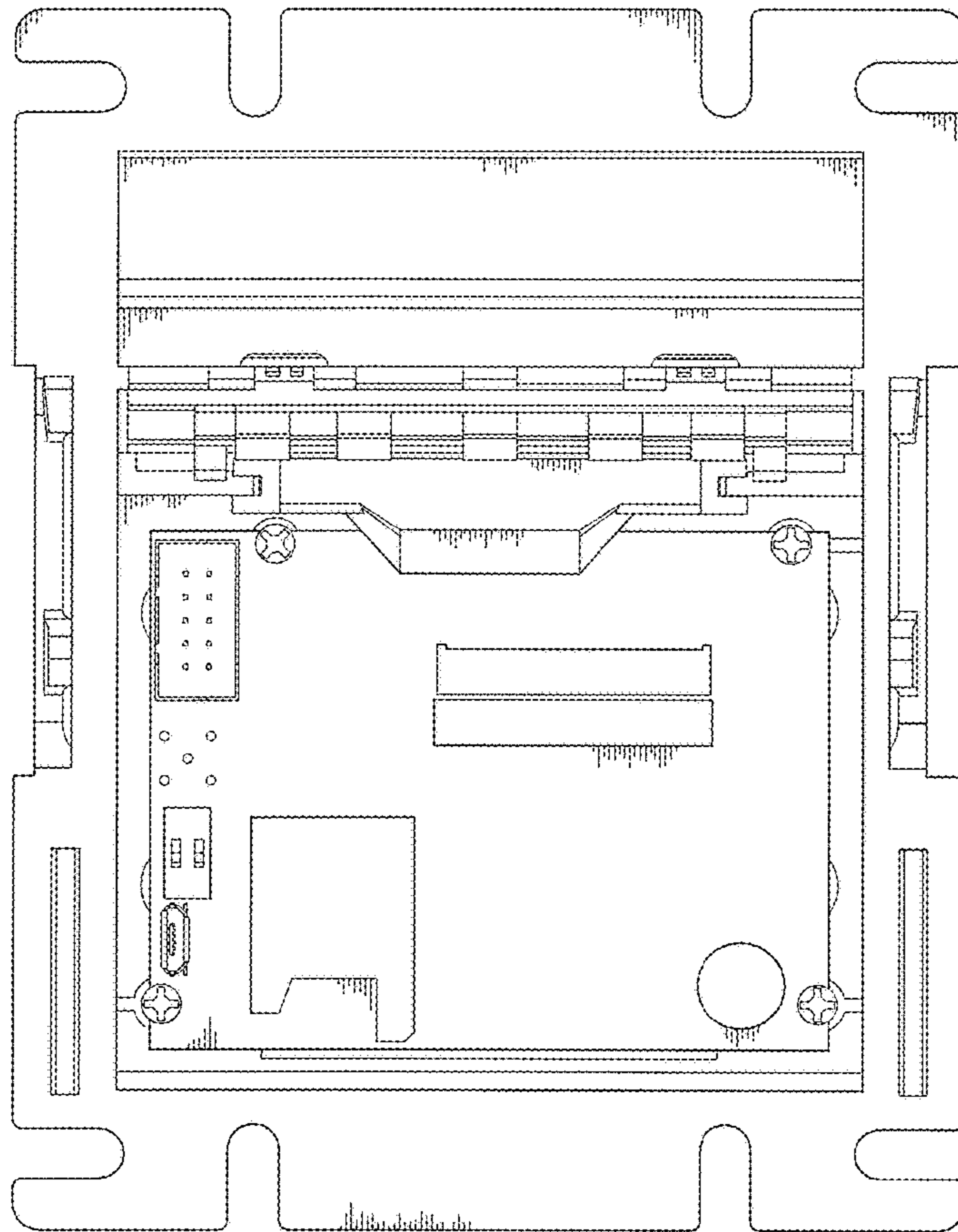


*FIG. 1*

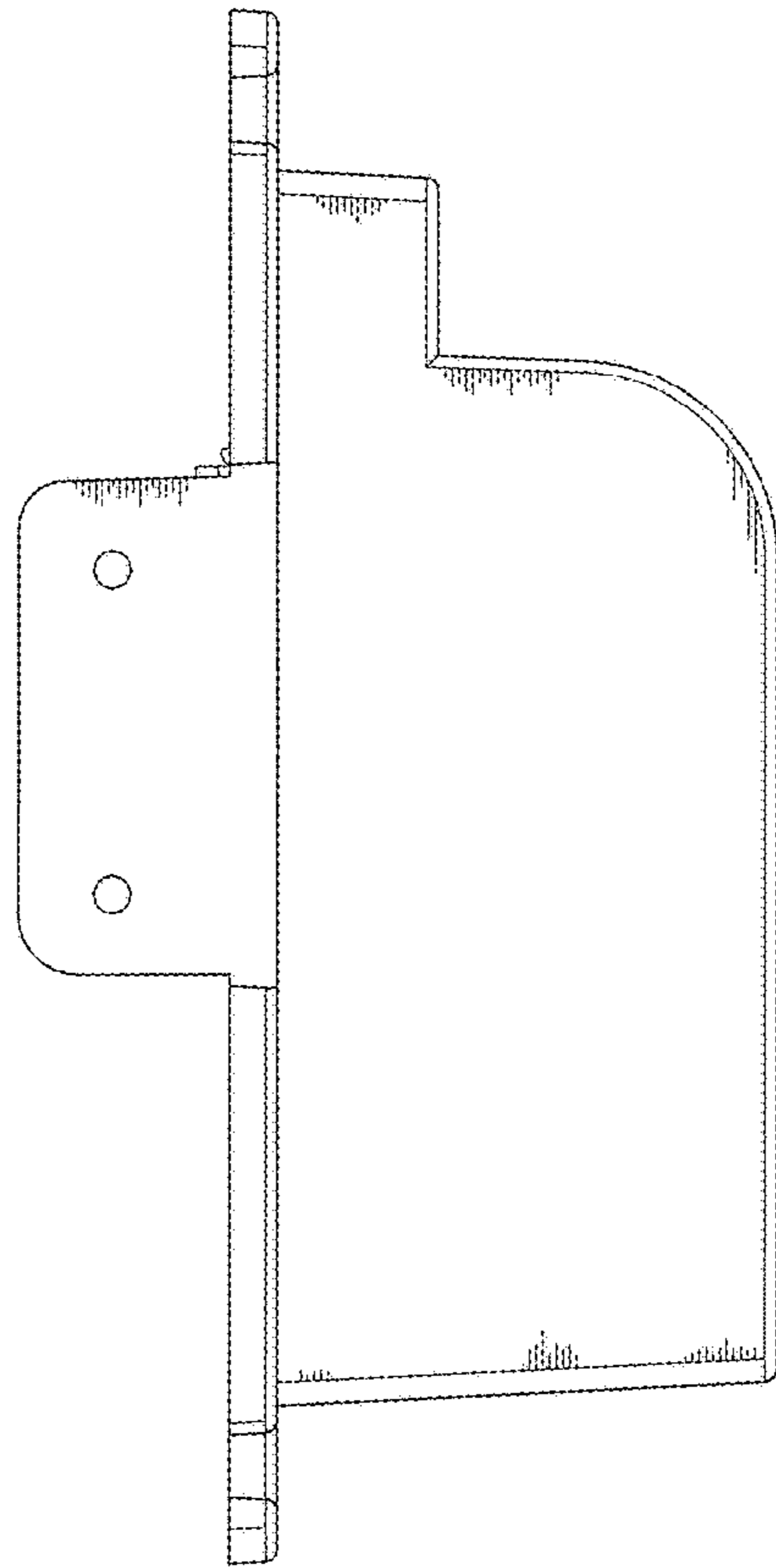


*FIG. 2*

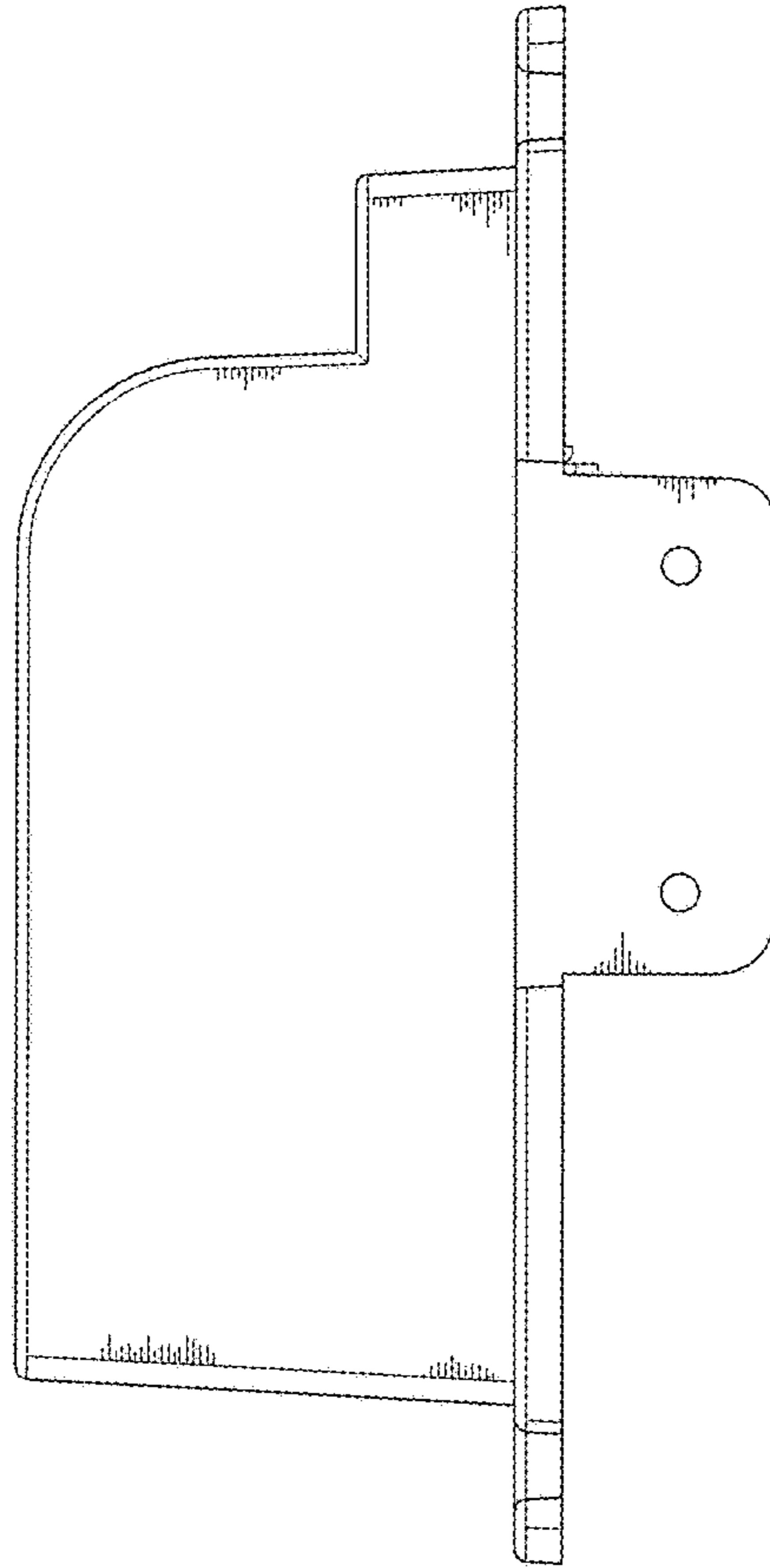




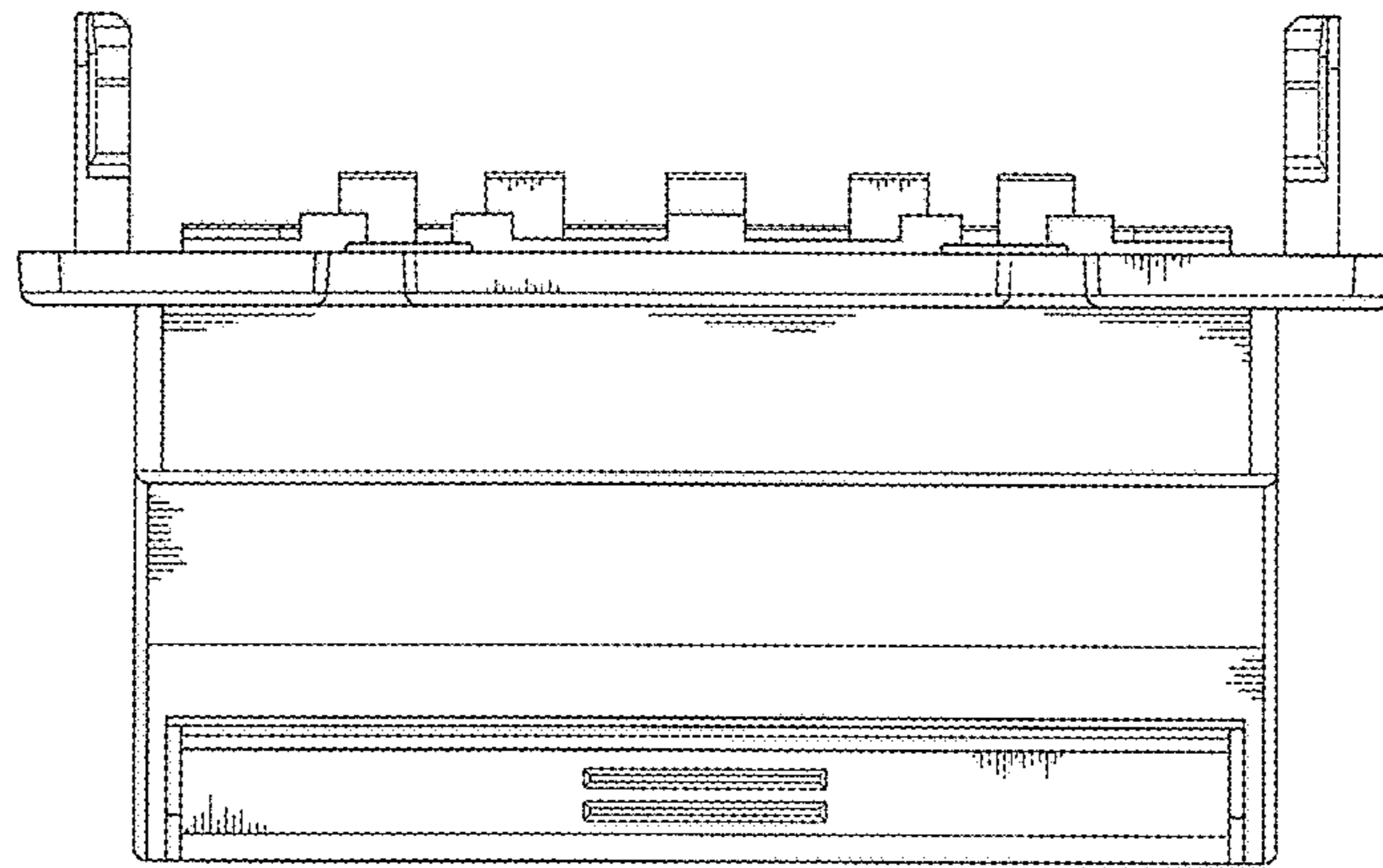
*FIG. 3*



*FIG. 4*

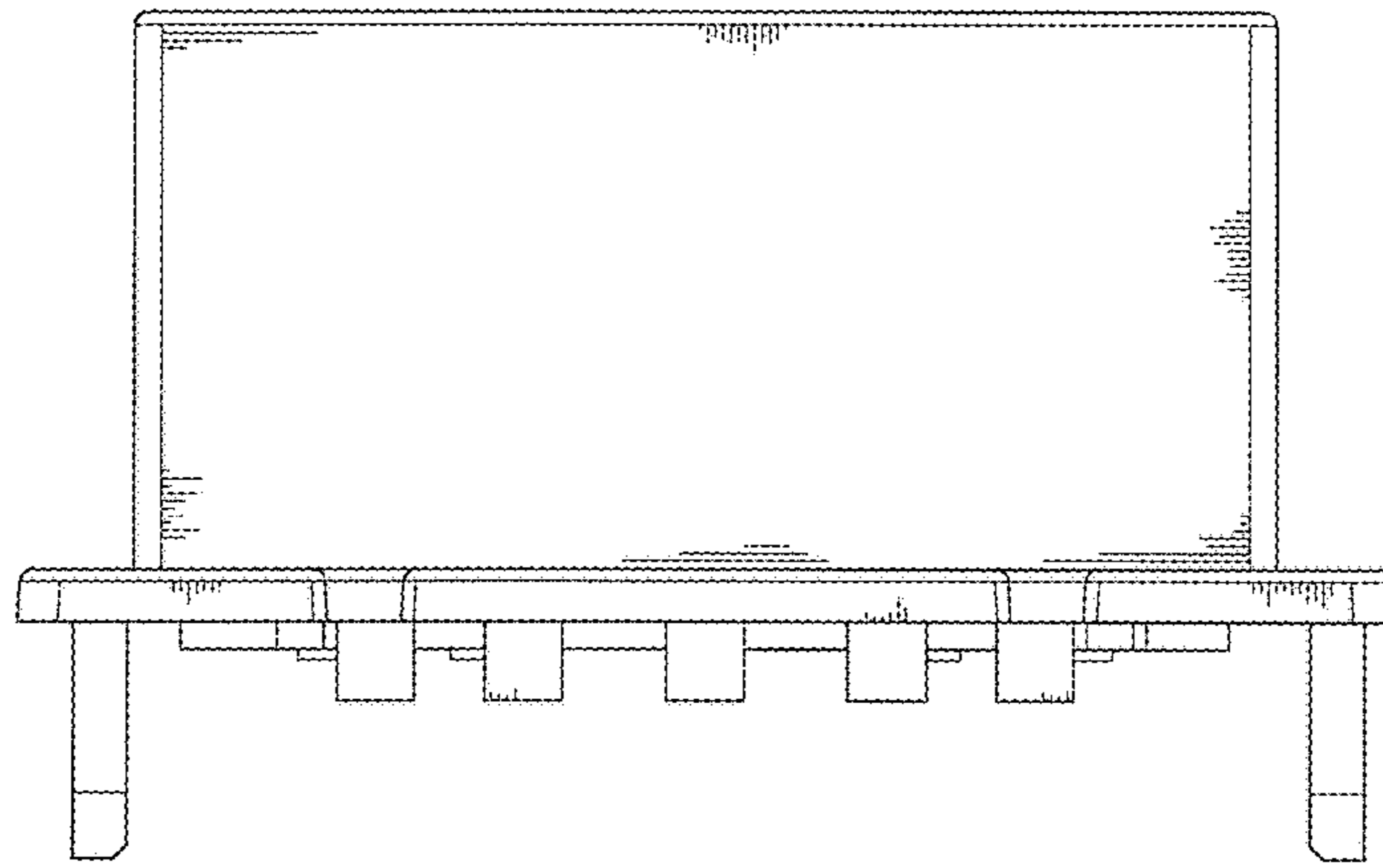


*FIG. 5*

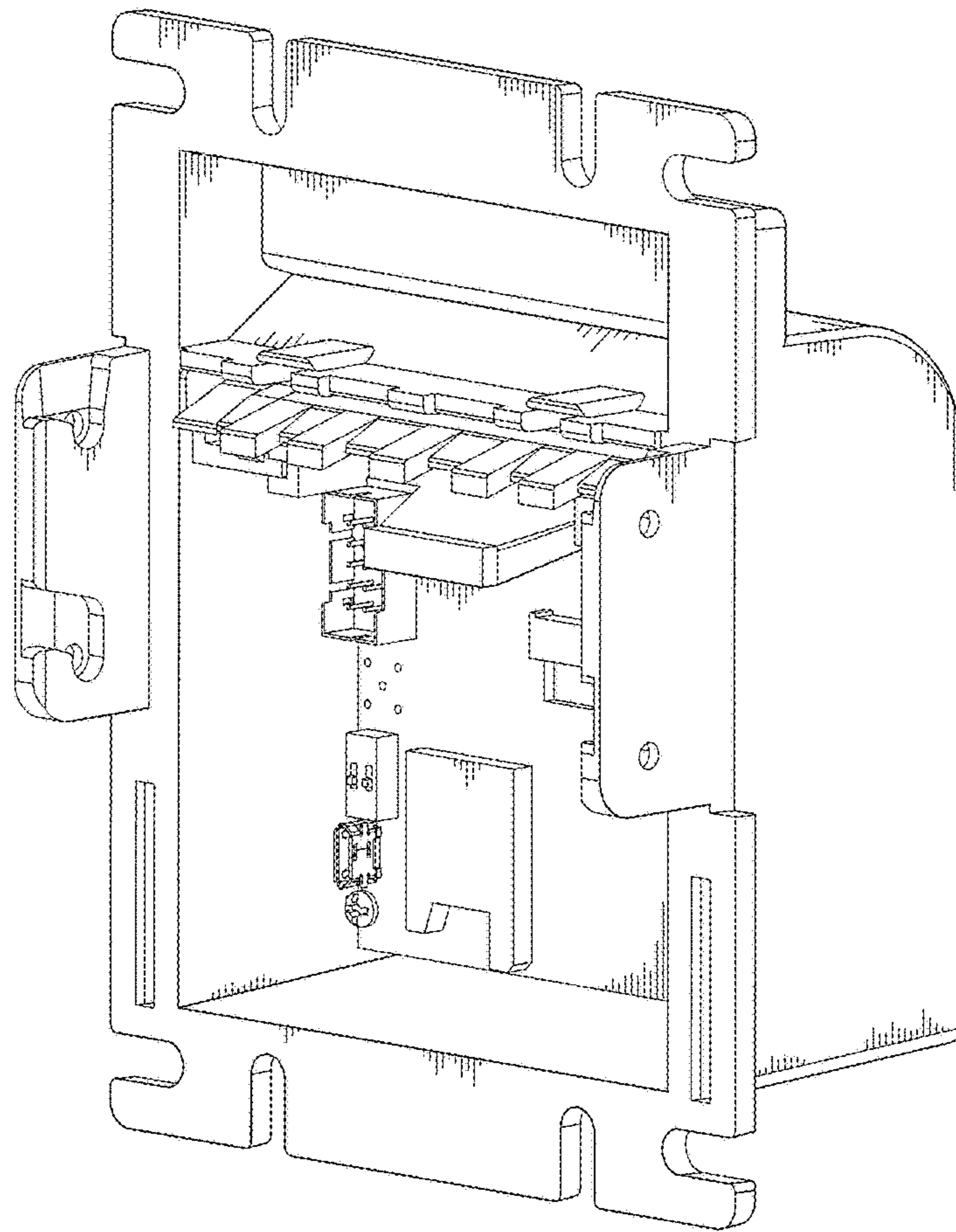


*FIG. 6*





*FIG. 7*



*FIG. 8*