



US00D849836S

(12) **United States Design Patent**
Han et al.

(10) **Patent No.:** **US D849,836 S**

(45) **Date of Patent:** **** May 28, 2019**

(54) **PRINTER**

(71) Applicant: **Hewlett-Packard Development Company, L.P.**, Houston, TX (US)

(72) Inventors: **Ki Jung Han**, Vancouver, WA (US);
Peter G. Hwang, Vancouver, WA (US);
Stephen G. Brown, Vancouver, WA (US);
Kevin Lo, Vancouver, WA (US);
Dan R. Dwyer, Vancouver, WA (US);
Matthew D. Reier, Vancouver, WA (US);
Jeremy Barribeau, Vancouver, WA (US);
Justin Francke, San Diego, CA (US);
Michael V. Leman, Boise, ID (US);
Damian Mycroft, Houston, TX (US)

(73) Assignee: **Hewlett-Packard Development Company, L.P.**, Spring, TX (US)

(**) Term: **15 Years**

(21) Appl. No.: **29/617,030**

(22) Filed: **Sep. 11, 2017**

Related U.S. Application Data

(62) Division of application No. 29/569,746, filed on Jun. 30, 2016, now Pat. No. Des. 799,595.

(51) **LOC (11) Cl.** **18-02**

(52) **U.S. Cl.**
USPC **D18/56**

(58) **Field of Classification Search**
USPC D18/12, 18, 34.9, 36-39, 40, 50, 54-56,
D18/99; D14/129, 130, 299, 301, 307,

(Continued)

(56) **References Cited**

U.S. PATENT DOCUMENTS

D307,299 S * 4/1990 Hara D18/38
D406,161 S * 2/1999 Yoshida D18/36

(Continued)

OTHER PUBLICATIONS

United States Patent and Trademark Office, "Restriction Requirement," issued in connection with U.S. Appl. No. 29/569,746, dated Mar. 31, 2017, 8 pages.

(Continued)

Primary Examiner — Cynthia Ramirez
Assistant Examiner — Michael A Maharajh
(74) *Attorney, Agent, or Firm* — HP Inc. Patent Department

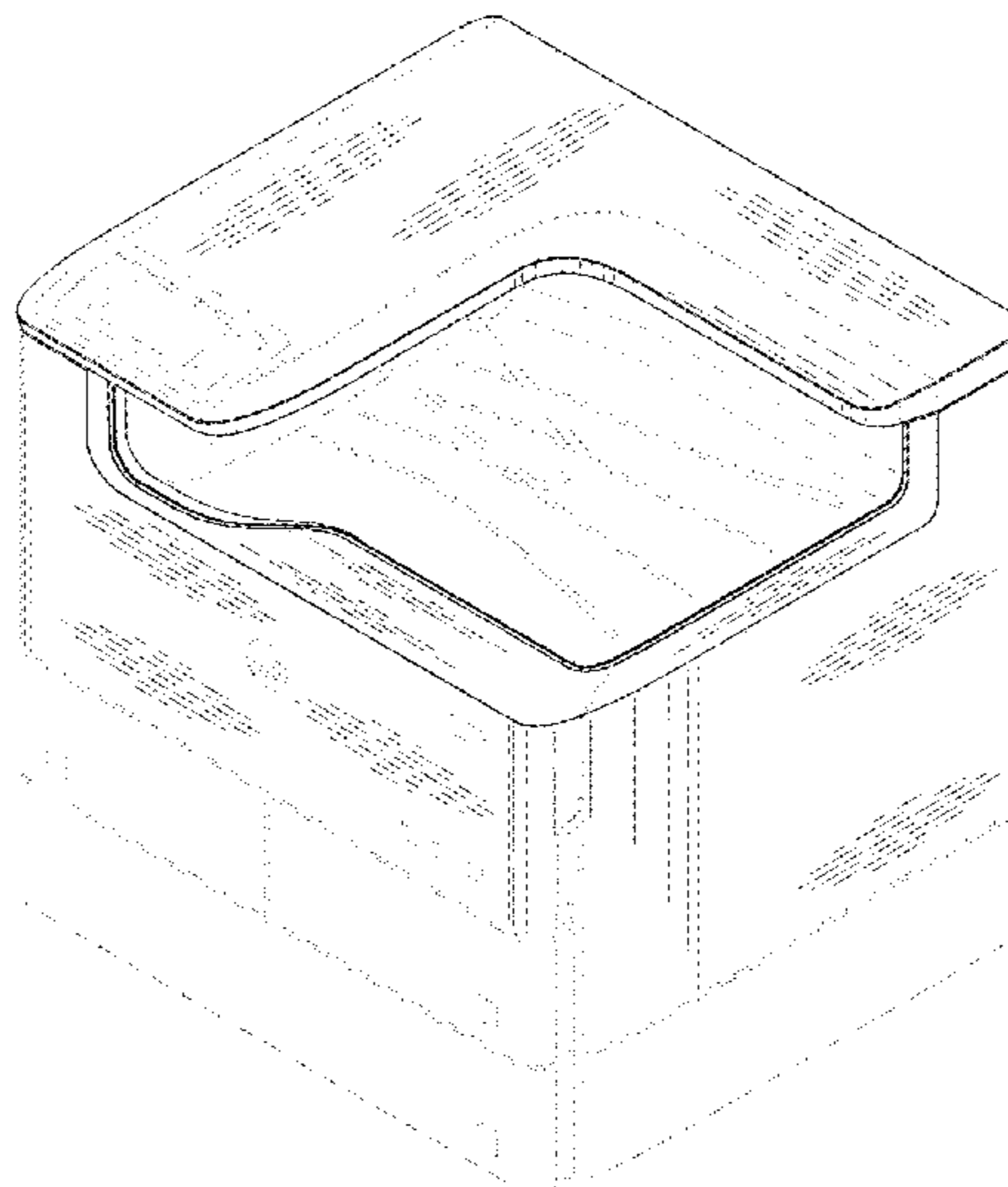
(57) **CLAIM**

The ornamental design for a printer, as shown and described.

DESCRIPTION

FIG. 1 is a front, left, top, perspective view of a printer.
FIG. 2 is a front, right, top, perspective view of the printer shown in FIG. 1.
FIG. 3 is a front elevational view of the printer shown in FIG. 1.
FIG. 4 is a rear elevational view of the printer shown in FIG. 1.
FIG. 5 is a left-side elevational view of the printer shown in FIG. 1.
FIG. 6 is a right-side elevational view of the printer shown in FIG. 1.
FIG. 7 is a top plan view of the printer shown in FIG. 1; and, FIG. 8 is a bottom plan view of the printer shown in FIG. 1. The broken lines in the drawings are for the purpose of illustrating portions of the printer, which form no part of the claimed design.

1 Claim, 8 Drawing Sheets



(58) **Field of Classification Search**

USPC D14/421, 432, 471, 483; 399/388;
101/113; 355/97; 271/3.14; D15/138,
D15/199

CPC B41J 2002/16591; B41J 2/155; B41J
2/16508

See application file for complete search history.

(56) **References Cited**

U.S. PATENT DOCUMENTS

D423,040 S	*	4/2000	Ohta	D18/36
D578,154 S	*	10/2008	Isogai	D18/40
D619,639 S		7/2010	Brown et al.		
D619,640 S		7/2010	Penke et al.		
D620,520 S		7/2010	Penke et al.		
D620,521 S		7/2010	Penke		
D628,619 S		12/2010	Penke et al.		
D629,521 S		12/2010	Lash et al.		
D680,162 S		4/2013	Goh et al.		
D680,163 S		4/2013	Lim et al.		
D701,563 S		3/2014	Kim et al.		
D742,960 S	*	11/2015	Lee	D18/50
D763,353 S		8/2016	Cho et al.		
D763,958 S		8/2016	Kim et al.		
D767,676 S		9/2016	So		
D767,677 S		9/2016	Kim		
D769,968 S		10/2016	So et al.		
D778,983 S		2/2017	Kim et al.		

D783,712 S	*	4/2017	Kim	D18/55
D785,086 S	*	4/2017	Kim	D18/56
D788,216 S	*	5/2017	Kim	D18/56
D792,924 S	*	7/2017	Dwyer	D18/56
D799,595 S	*	10/2017	Han	D18/56
D800,123 S	*	10/2017	Tashima	D18/56
D808,461 S	*	1/2018	Tashima	D18/55
D809,594 S	*	2/2018	Tashima	D18/50
D811,474 S	*	2/2018	Kim	D18/55
D812,134 S	*	3/2018	Tashima	D18/50
D812,683 S	*	3/2018	Inada	D18/50
D812,684 S	*	3/2018	Tashima	D18/50
D814,470 S	*	4/2018	Chin	D14/421
D815,197 S	*	4/2018	Kim	D18/50
D816,766 S	*	5/2018	Chin	D18/55
D818,533 S	*	5/2018	Su	D18/55
D821,489 S	*	6/2018	Brown	D18/41
D823,939 S	*	7/2018	Inada	D18/50
D827,019 S	*	8/2018	Egami	D18/40
D827,706 S	*	9/2018	Clark, III	D18/50
D827,708 S	*	9/2018	Kim	D18/56
D832,342 S	*	10/2018	Brown	D18/50
D834,641 S	*	11/2018	Brown	D18/50

OTHER PUBLICATIONS

United States Patent and Trademark Office, "Notice of Allowance," issued in connection with U.S. Appl. No. 29/569,746, dated Jul. 27, 2017, 7 pages.

* cited by examiner

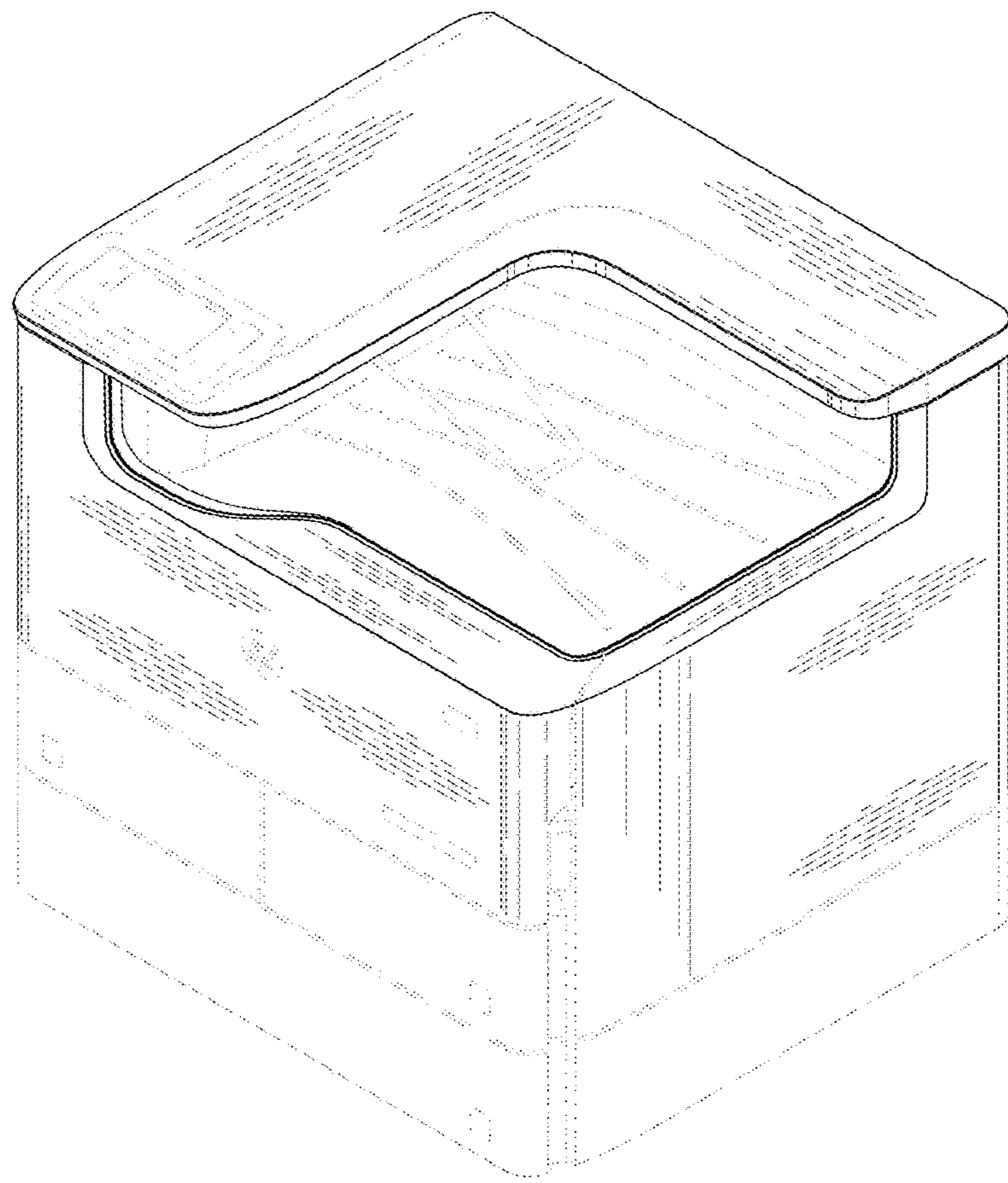


FIG. 1

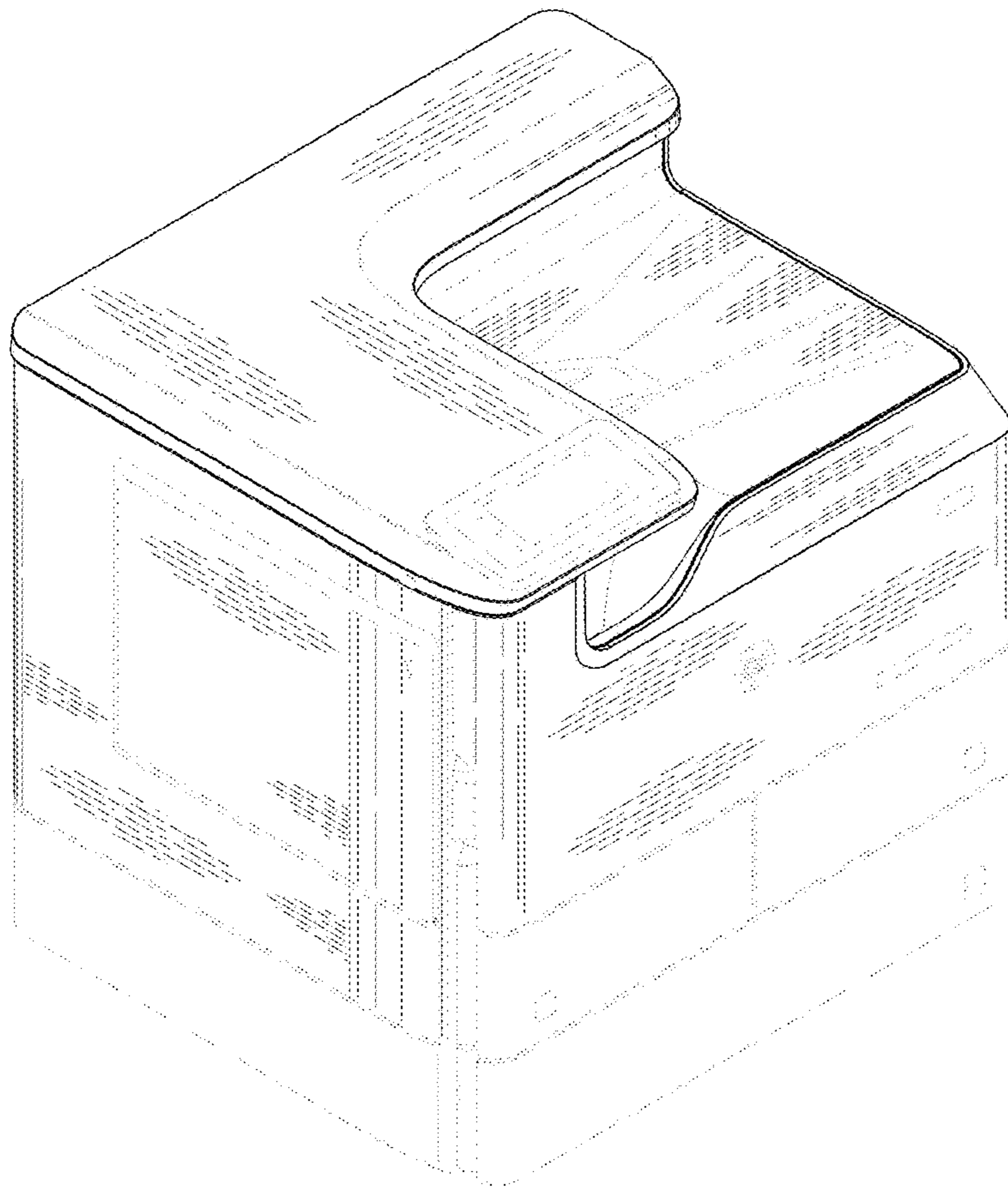


FIG. 2

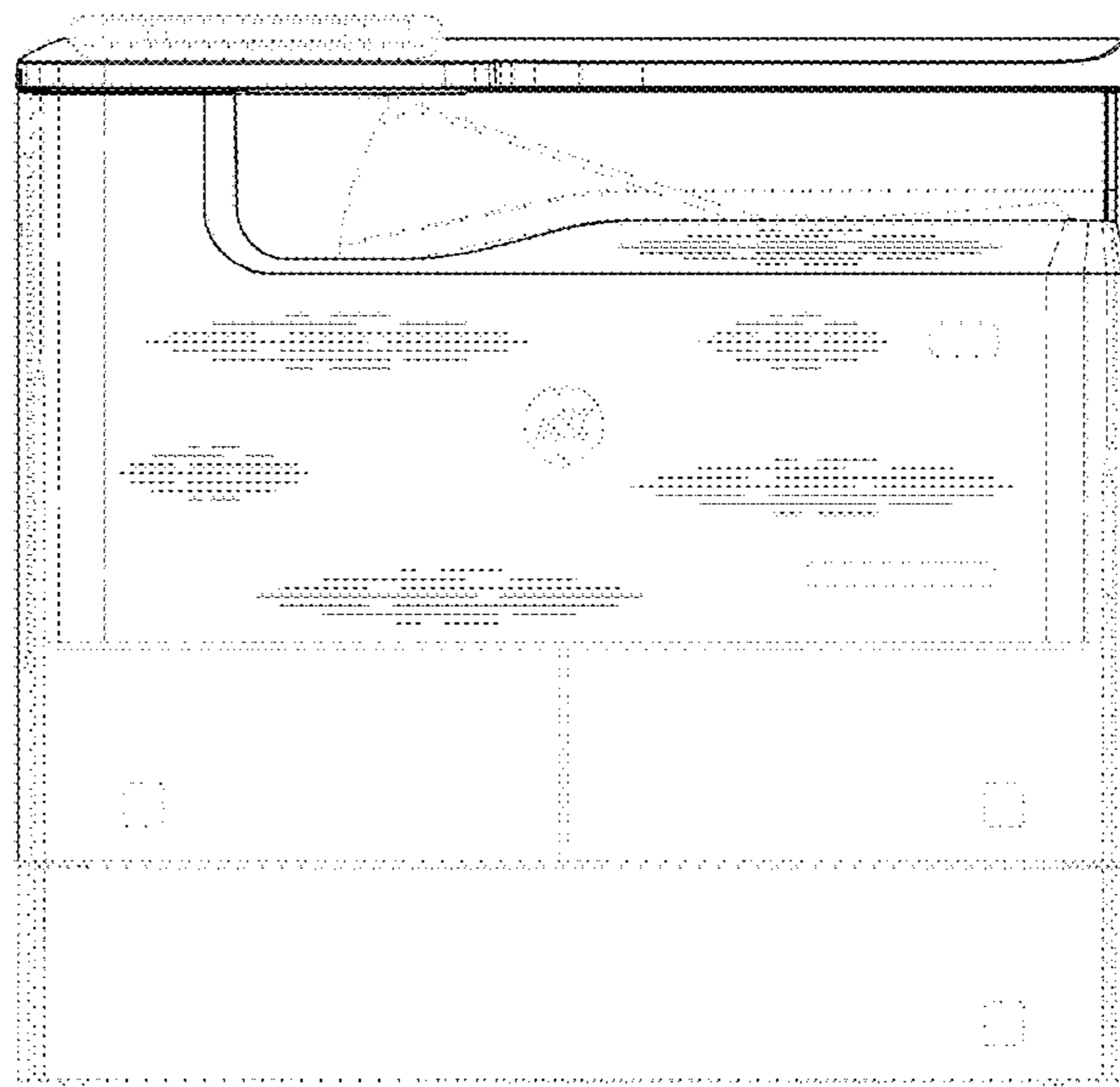


FIG. 3

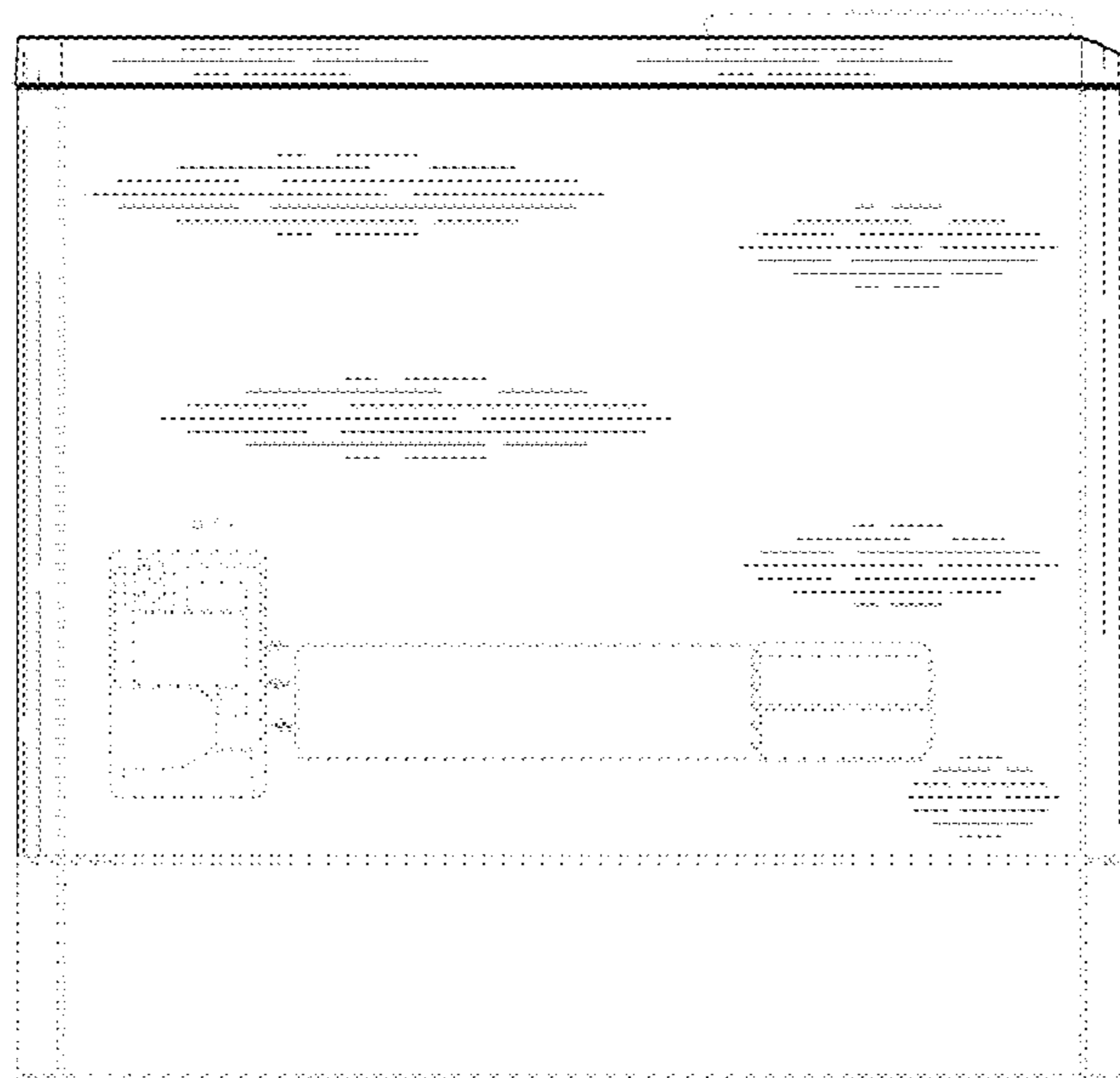


FIG. 4

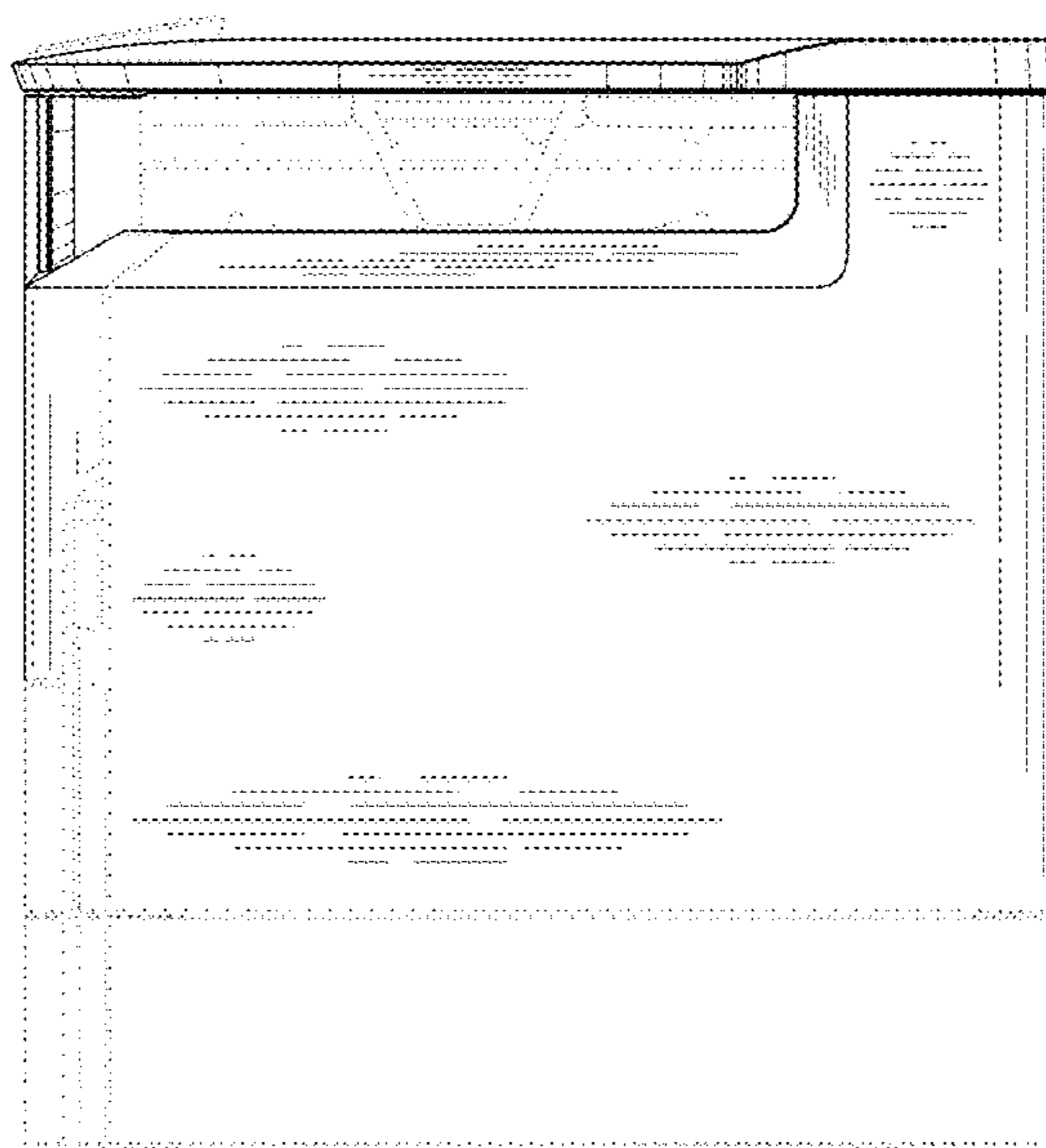


FIG. 5

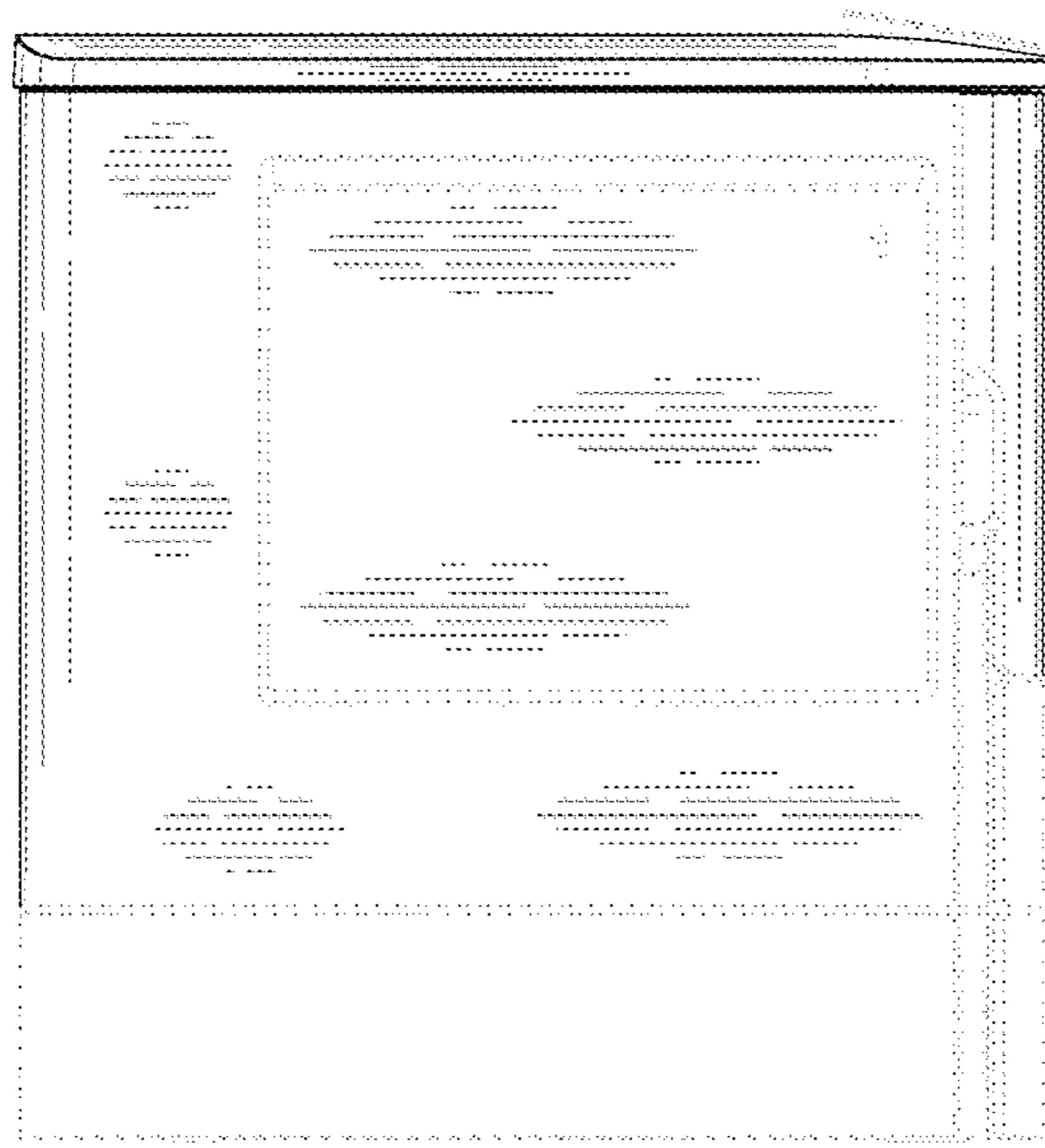


FIG. 6

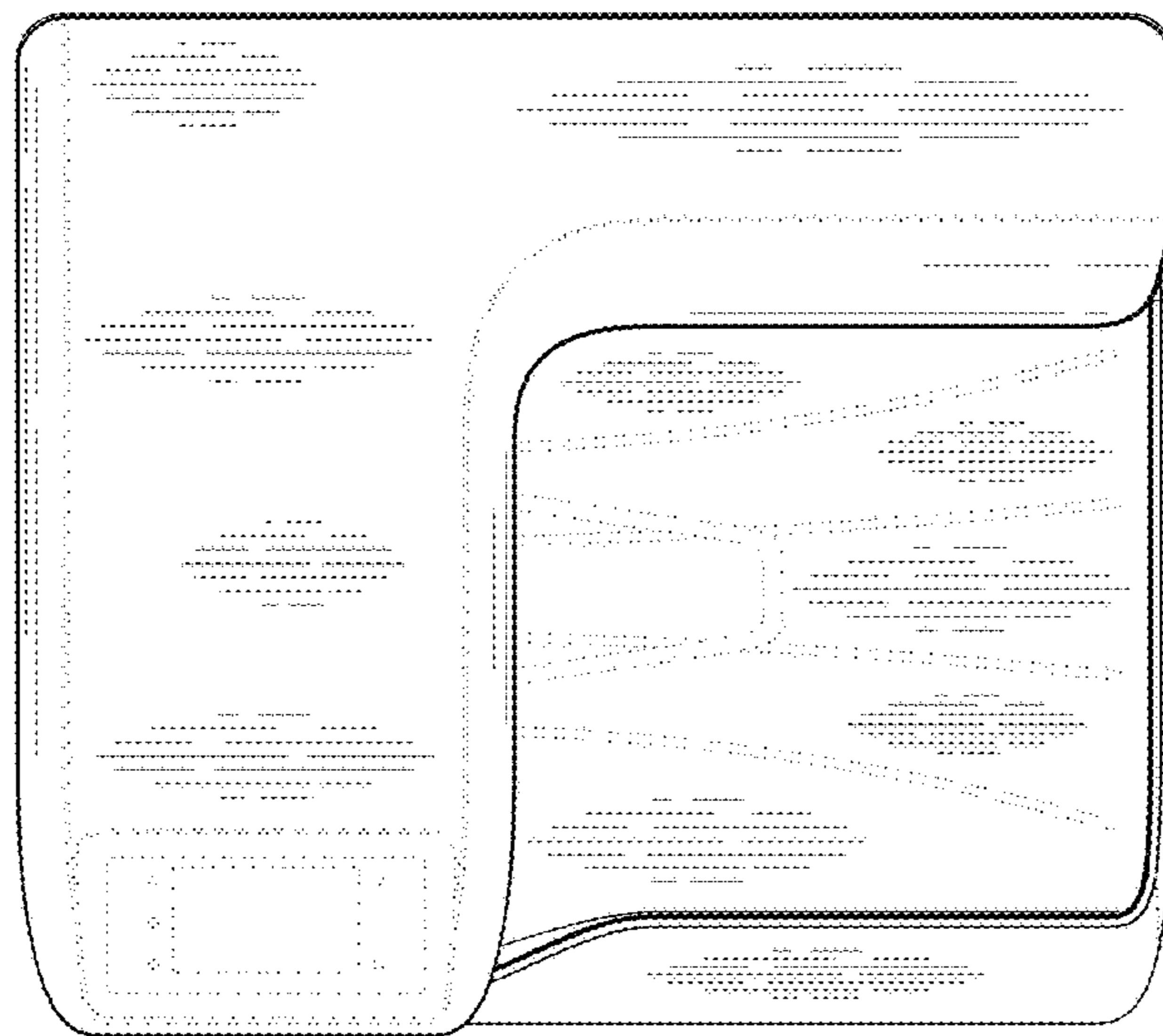


FIG. 7

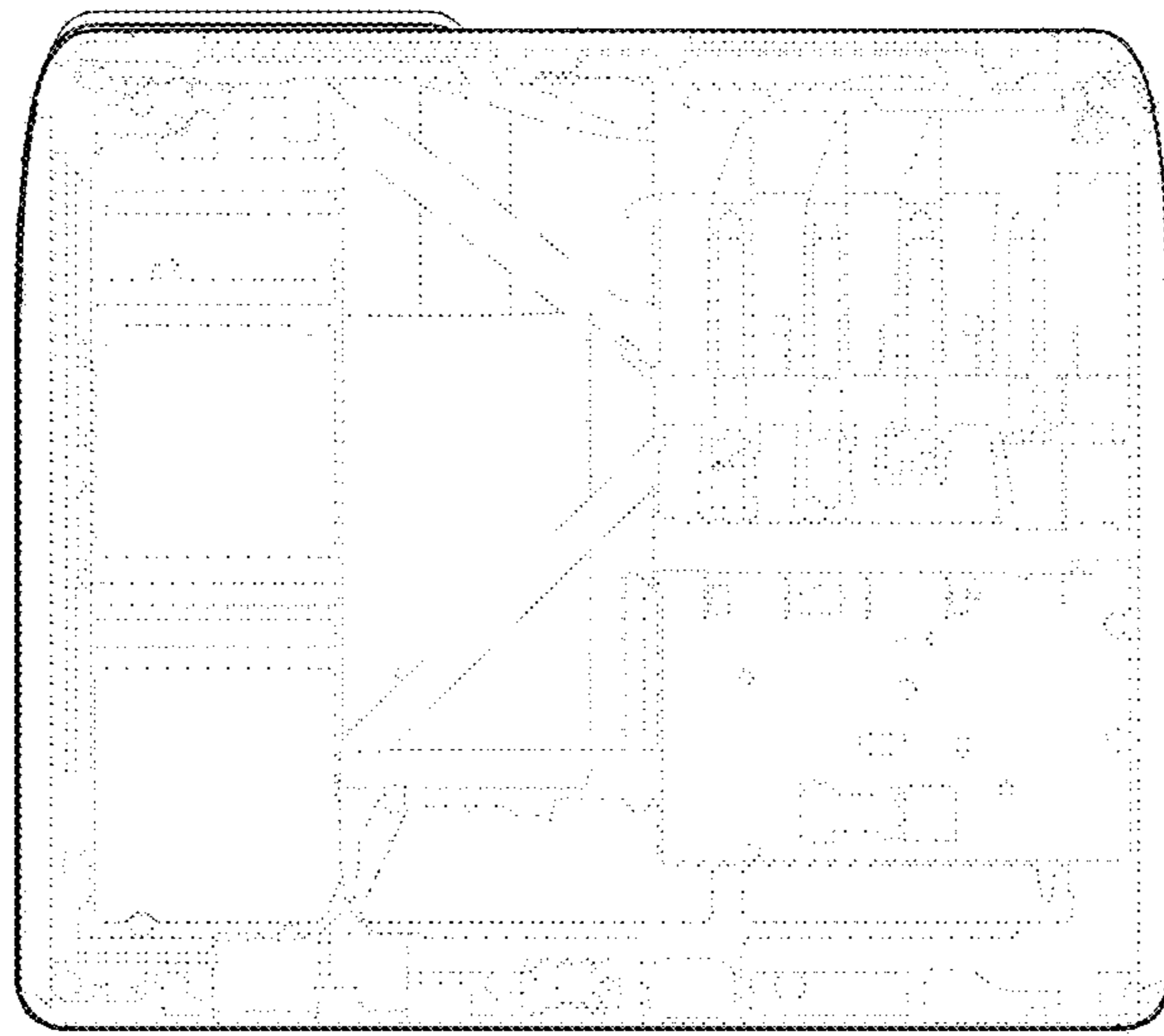


FIG. 8