

US00D849833S

(12) **United States Design Patent**
Eun

(10) **Patent No.:** **US D849,833 S**

(45) **Date of Patent:** **** May 28, 2019**

(54) **CRADLE FOR TERMINAL FOR MANAGING SELLING INFORMATION**

(71) Applicant: **POSBANK CO., LTD.**, Seoul (KR)

(72) Inventor: **Dong Uk Eun**, Gyeonggi-do (KR)

(73) Assignee: **POSBANK CO., LTD.**, Seoul (KR)

(**) Term: **15 Years**

(21) Appl. No.: **29/607,221**

(22) Filed: **Jun. 12, 2017**

(30) **Foreign Application Priority Data**

Apr. 11, 2017 (KR) 30-2017-0016599

(51) **LOC (11) Cl.** **18-01**

(52) **U.S. Cl.**
USPC **D18/12; D18/4.4**

(58) **Field of Classification Search**
USPC D18/4.4, 4.5, 4.6, 2, 11, 50, 14, 19–21,
D18/54, 99, 12, 12.3; D14/300, 307,
D14/338, 339, 341, 356, 357, 383, 385,
D14/386, 388, 426, 453–455, 496, 507,
D14/509, 510, 154, 155, 158, 168, 218,
D14/225, 226, 248, 299, 314, 328, 332,
D14/335, 900, 902, 389, 390, 447, 457,
D14/253, 239, 434; D10/46, 61, 62, 70,
D10/104.1, 104.2, 106.2, 106.6, 65, 66;
D20/1; D13/108

CPC H04W 8/22; H04W 52/0225; H04W
52/0254; G06Q 20/00; G06Q 20/08;
G06Q 20/20; G07F 7/0873; G07F 7/088;
G07G 1/0009; G07G 1/0018

See application file for complete search history.

(56) **References Cited**

U.S. PATENT DOCUMENTS

D410,441 S * 6/1999 Lin D14/314
D427,981 S * 7/2000 Inukai D14/453

D458,255 S * 6/2002 Hsu D18/4.5
D514,576 S * 2/2006 Sung D14/434
D525,282 S * 7/2006 Barnes D18/4.5
D526,002 S * 8/2006 Nakajima D18/4.5
D588,186 S * 3/2009 Yamakawa D18/4.5
D620,519 S * 7/2010 Branck D18/4.4
D647,898 S * 11/2011 Haller D14/336
D687,483 S * 8/2013 Hagiwara D18/4.4
D690,349 S * 9/2013 Qin D18/12
D707,685 S * 6/2014 Johnson D14/447
D708,618 S * 7/2014 Romanoff D14/422
D713,447 S * 9/2014 Balar D18/4.6
D725,182 S * 3/2015 Haller D18/4.4
D725,699 S * 3/2015 Eun D18/4.4
D732,037 S * 6/2015 Wylie D14/434
D741,853 S * 10/2015 Barron D18/4.4
D742,885 S * 11/2015 Chen D14/434

(Continued)

Primary Examiner — Marie D. Fast Horse

(74) *Attorney, Agent, or Firm* — Marshall, Gerstein & Borun LLP

(57) **CLAIM**

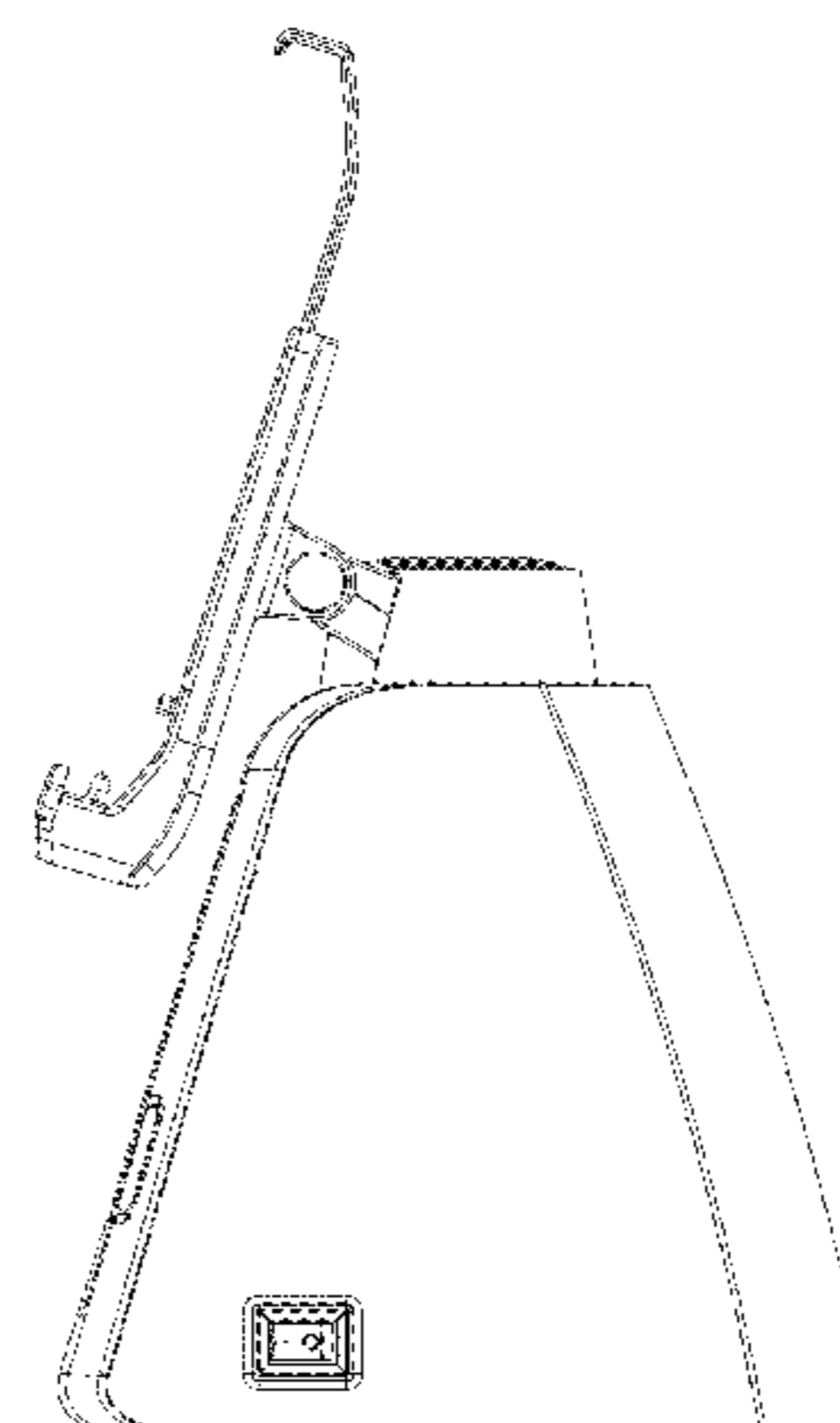
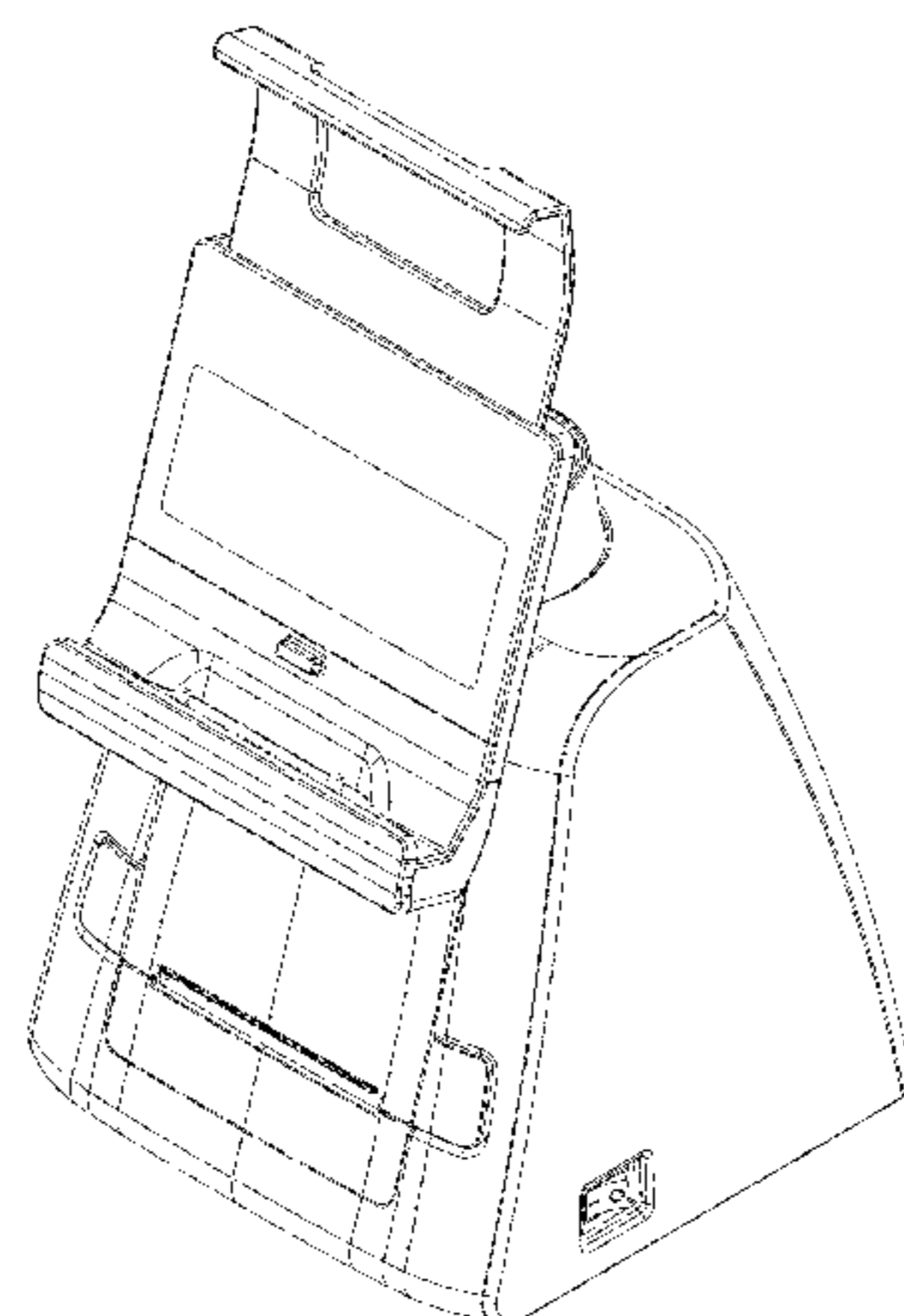
The ornamental design for a cradle for terminal for managing selling information, as shown and described.

DESCRIPTION

FIG. 1 is a perspective view of a cradle for terminal for managing selling information showing my new design; FIG. 2 is a front elevation view thereof; FIG. 3 is a rear elevation view thereof; FIG. 4 is a left side elevation view thereof; FIG. 5 is a right side elevation view thereof; FIG. 6 is an top plan view thereof; and, FIG. 7 is an bottom plan view thereof.

All broken dashed and dotted lines in the drawings depict portions of the cradle for terminal for managing selling information that form no part of the claimed design.

1 Claim, 7 Drawing Sheets



(56)

References Cited

U.S. PATENT DOCUMENTS

D760,316	S *	6/2016	Kim	D18/50
D763,955	S *	8/2016	Kim	D18/50
9,520,035	B2 *	12/2016	Wang	G07G 1/0018
D778,982	S *	2/2017	Beatty	D18/4.5
D782,466	S *	3/2017	Yepez	D14/307
D792,413	S *	7/2017	Floersch	D14/447
D792,414	S *	7/2017	Floersch	D14/447
2005/0263590	A1 *	12/2005	Branck	G07G 1/0018
					235/383
2007/0038517	A1 *	2/2007	Lin	G07G 1/0018
					705/17
2013/0235420	A1 *	9/2013	Nihashi	G07G 1/0018
					358/1.15
2013/0278057	A1 *	10/2013	Fukuta	G06F 1/263
					307/29
2013/0282499	A1 *	10/2013	Kato	G07G 1/0018
					705/16
2014/0254076	A1 *	9/2014	Iwamoto	G07G 1/0018
					361/679.05
2014/0267957	A1 *	9/2014	Iwamoto	G07G 1/0018
					349/12
2015/0025985	A1 *	1/2015	Inagawa	G07G 1/0081
					705/16
2015/0149311	A1 *	5/2015	Ward	G07G 1/0018
					705/24

* cited by examiner

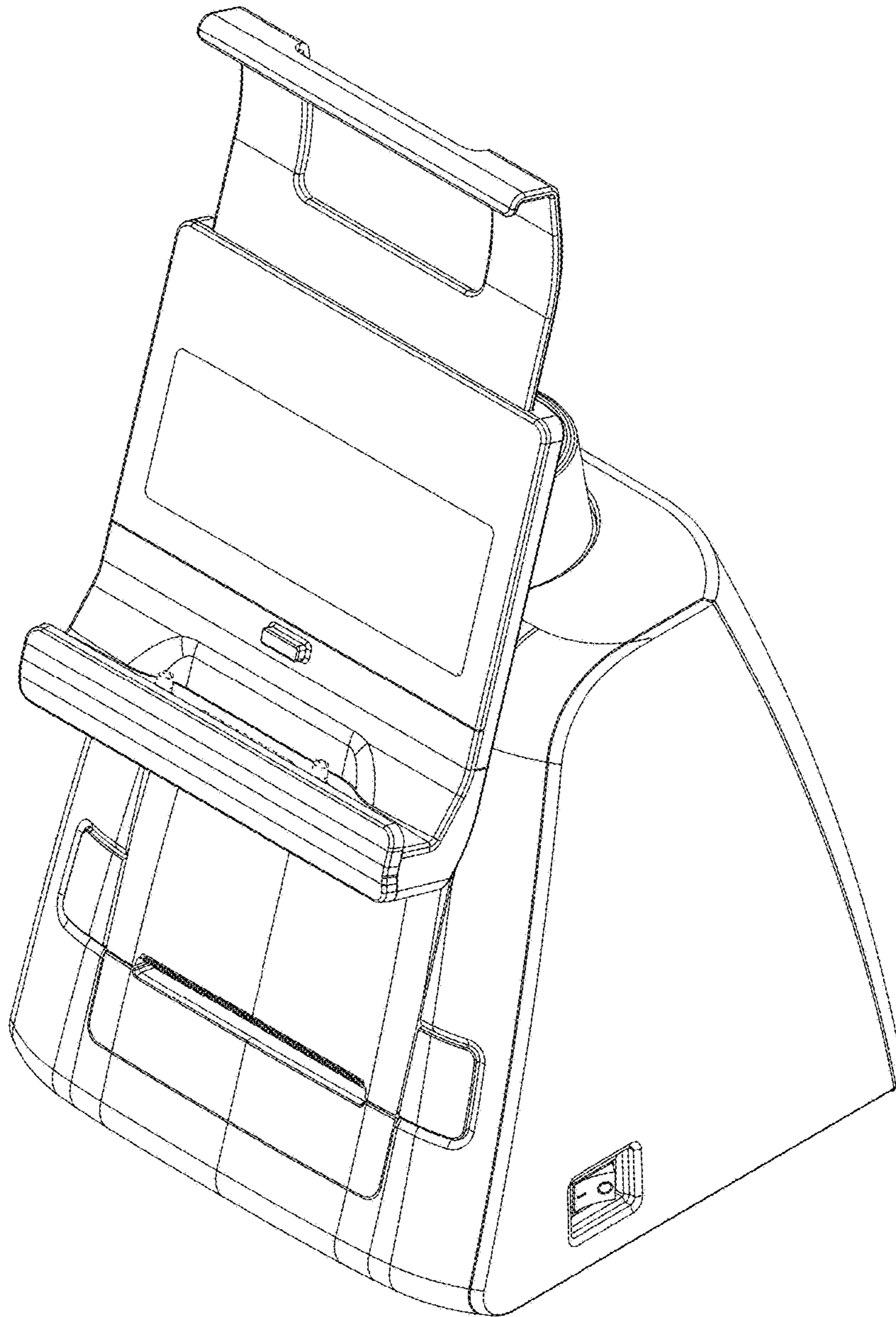


FIG. 1

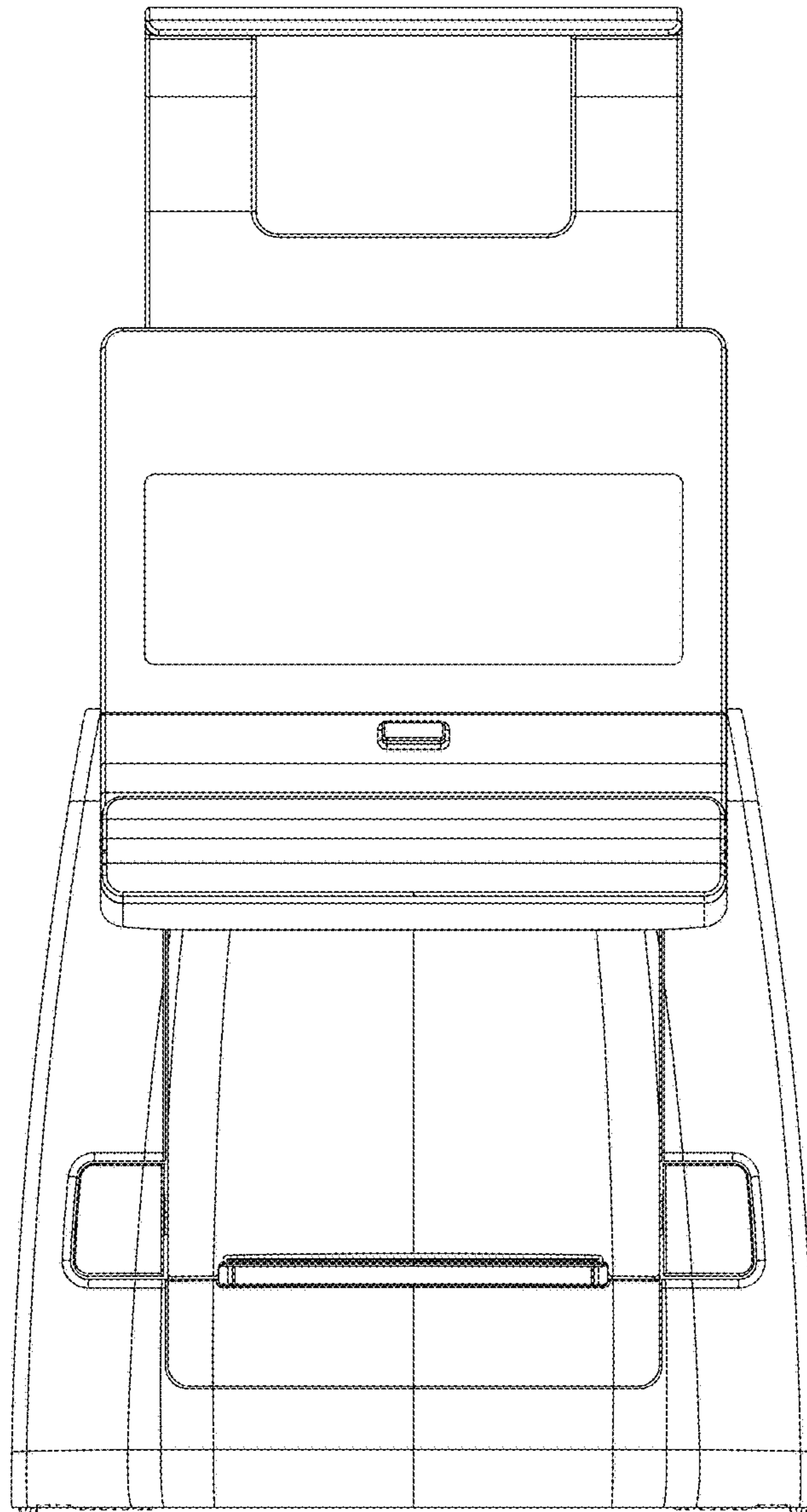


FIG. 2

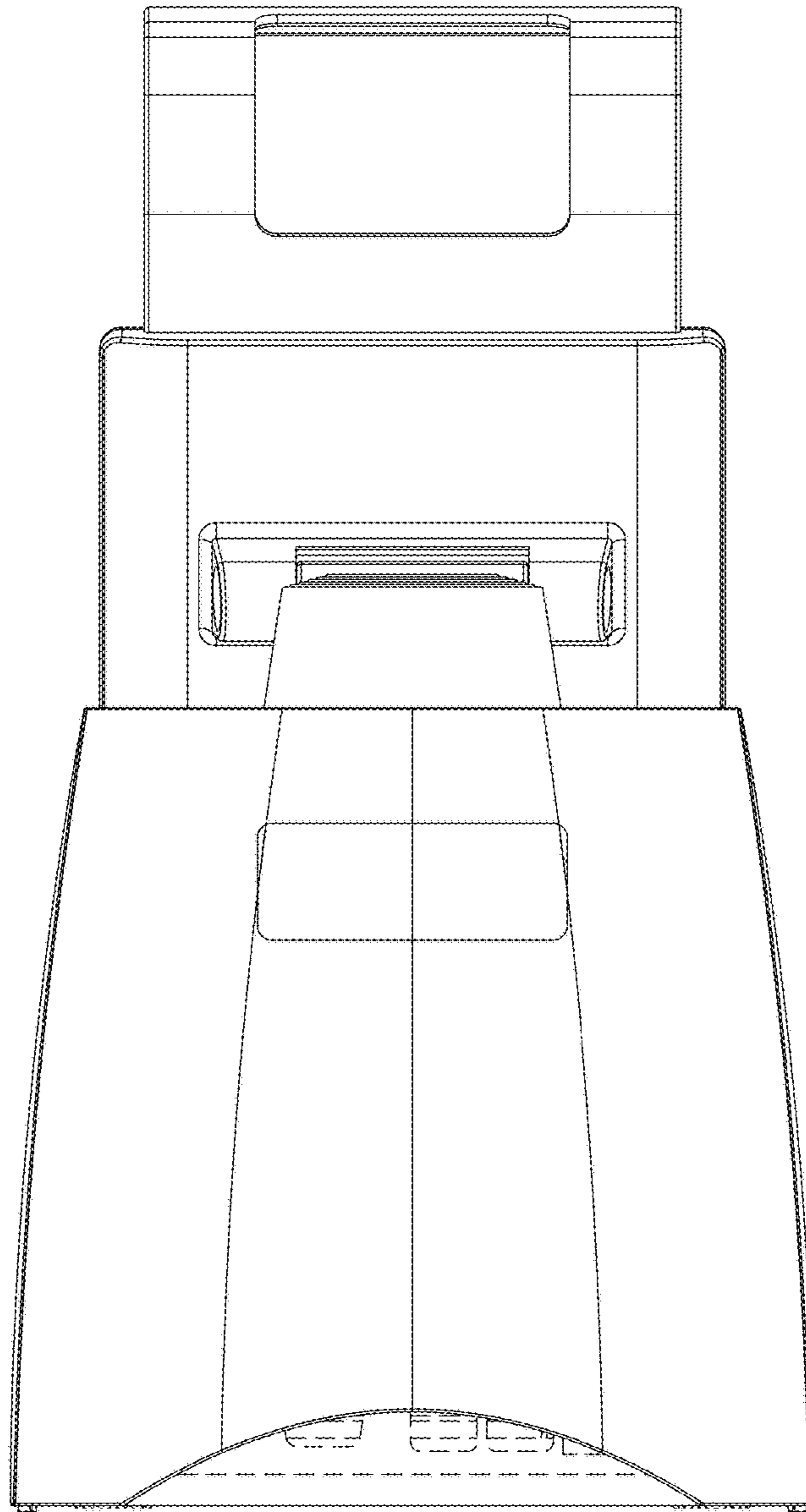


FIG. 3

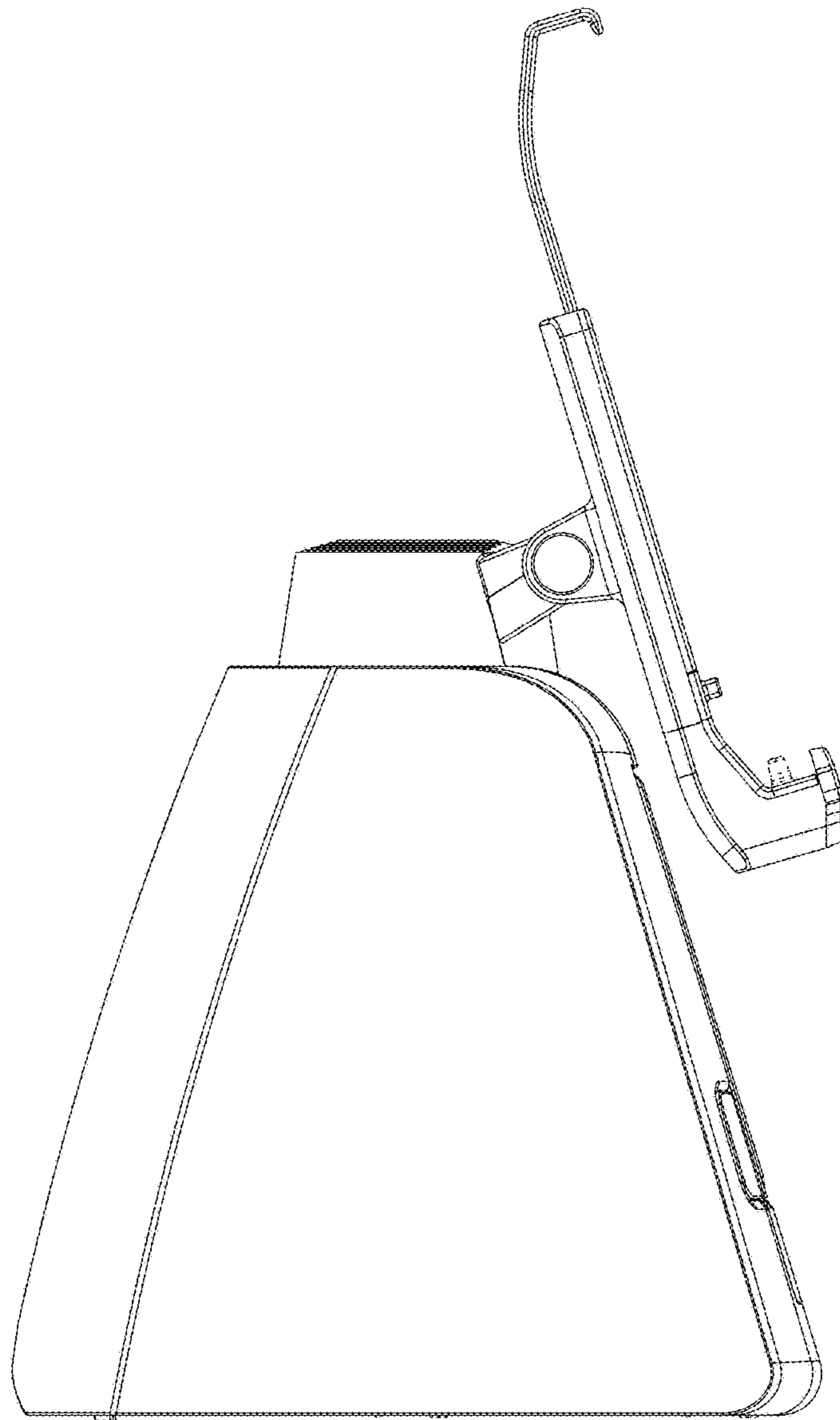


FIG. 4

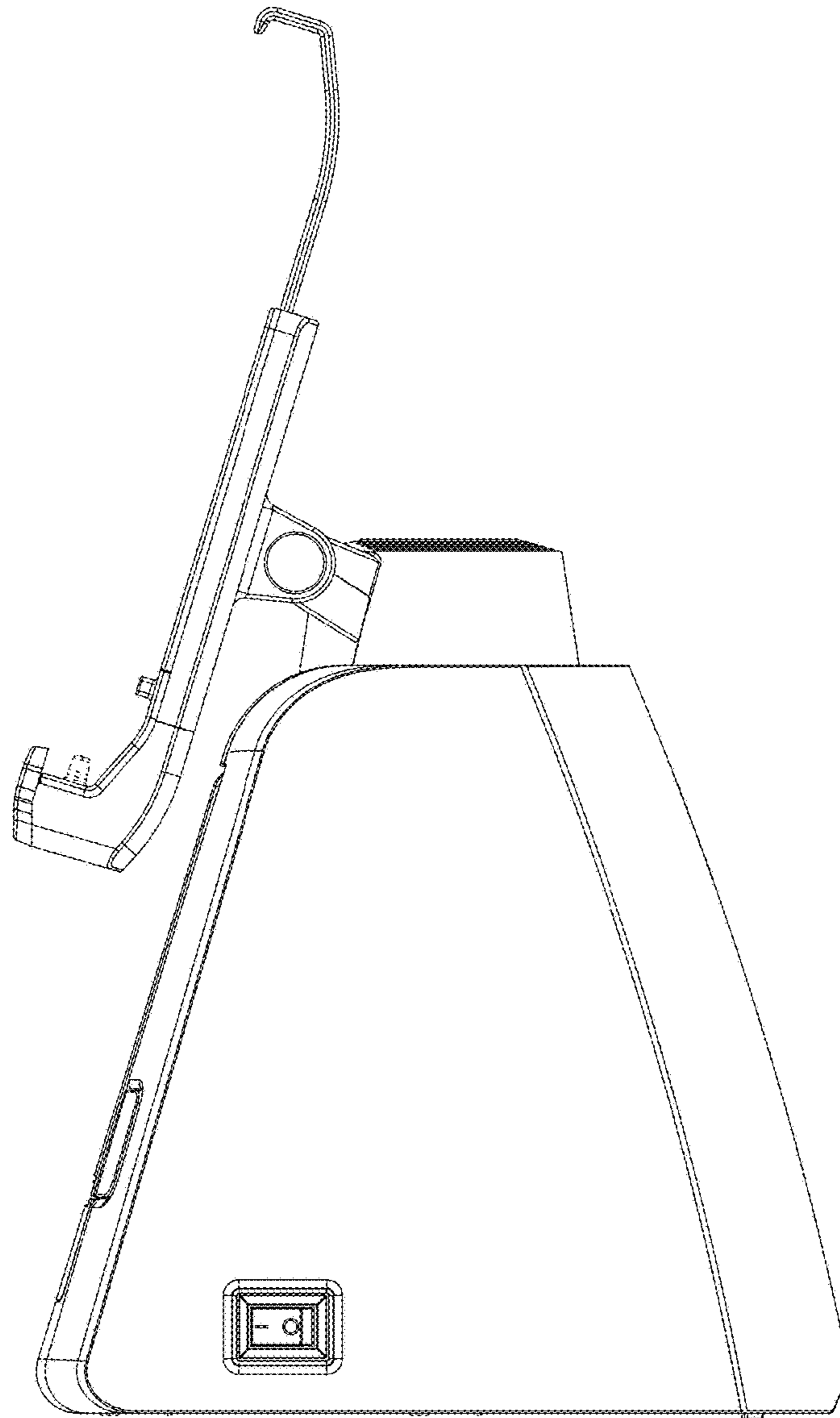


FIG. 5

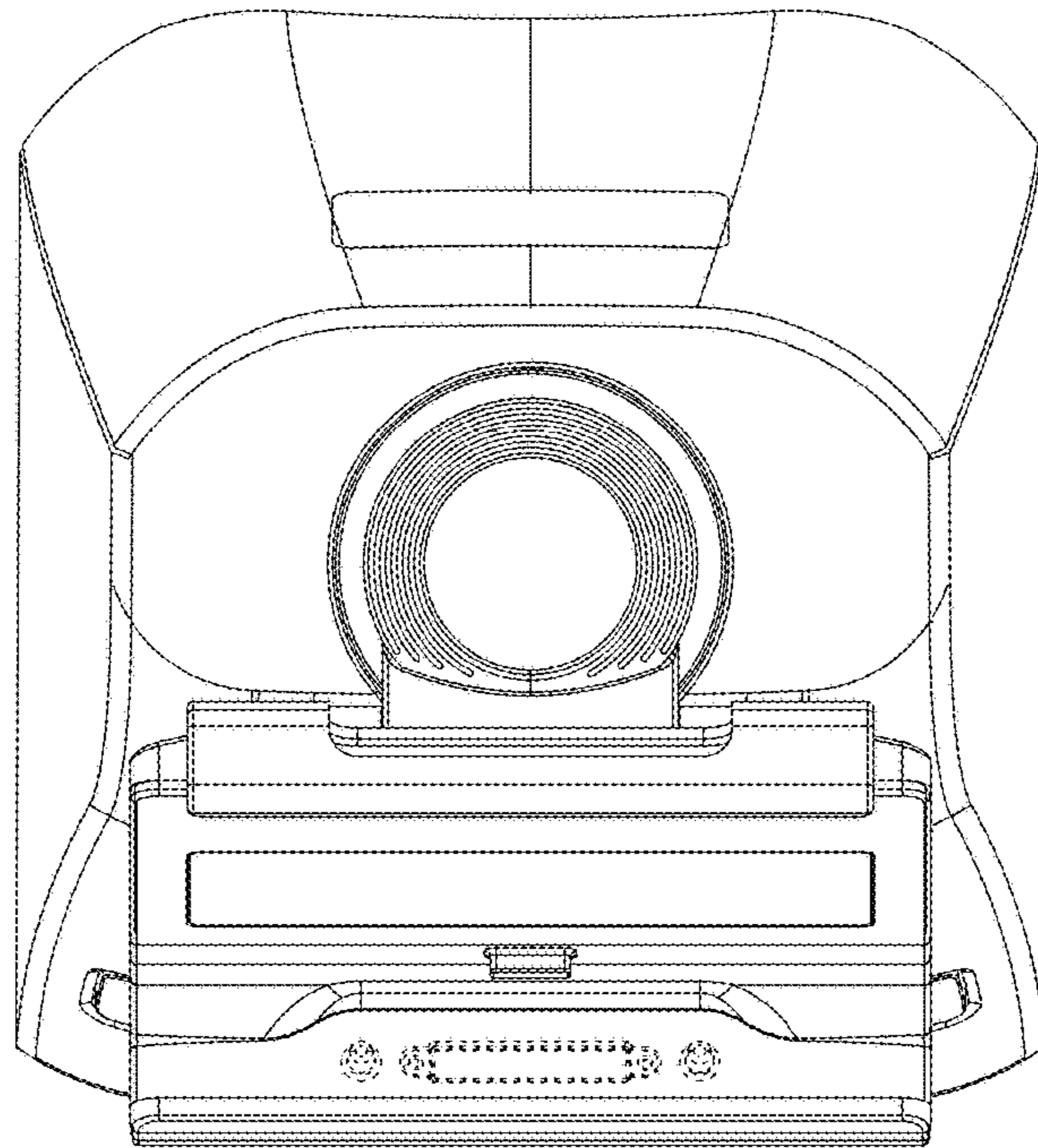


FIG. 6

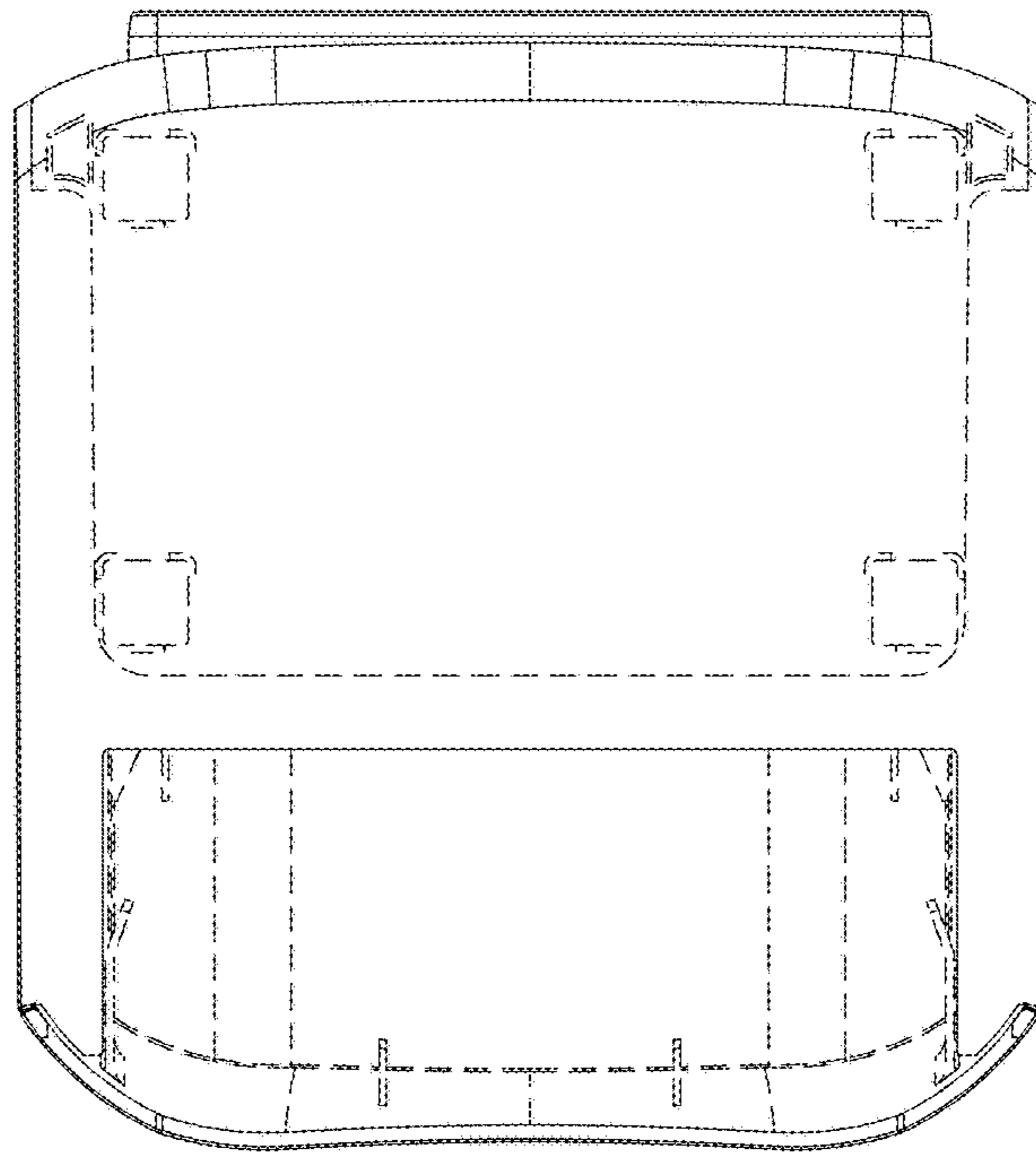


FIG. 7