



US00D849832S

(12) **United States Design Patent** (10) **Patent No.:** **US D849,832 S**  
**Baker et al.** (45) **Date of Patent:** **\*\* \*May 28, 2019**

(54) **POINT OF SALE TERMINAL**

(71) Applicant: **PAR TECHNOLOGY CORPORATION**, New Hartford, NY (US)

(72) Inventors: **Bernie Baker**, Herkimer, NY (US);  
**Kurt Knolle**, East Aurora, NY (US);  
**Bernard S. Riedman**, Marcy, NY (US);  
**Brian Johnson**, Utica, NY (US)

(73) Assignee: **PAR TECHNOLOGY CORPORATION**, New Hartford, NY (US)

(\*) Notice: This patent is subject to a terminal disclaimer.

(\*\*) Term: **15 Years**

(21) Appl. No.: **35/001,089**

(22) Filed: **Sep. 27, 2015**

(80) **Hague Agreement Data**

Int. Filing Date: **Sep. 27, 2015**  
Int. Reg. No.: **DM/092536**  
Int. Reg. Date: **Sep. 27, 2015**  
Int. Reg. Pub. Date: **Sep. 30, 2016**

(51) **LOC (11) Cl.** ..... **14-02**

(52) **U.S. Cl.**  
USPC ..... **D18/4.5**  
CPC ..... **G07F 19/205** (2013.01)

(58) **Field of Classification Search**  
USPC ..... D18/3.1–3.3, 4.4–4.6, 43–55, 6–8;  
D14/336, 371–376, 381; 235/2, 7 R, 12,  
235/22, 33, 51, 52; 705/43;  
D21/324–332; D99/28, 34–36, 43  
CPC ..... G07F 19/202–19/205; G07D 11/00; G07D  
11/009; G07D 11/0021; G06Q 20/1085;  
G03G 15/00  
See application file for complete search history.

(56) **References Cited**

U.S. PATENT DOCUMENTS

D424,098	S	*	5/2000	Kim	.....	D14/375
D458,255	S	*	6/2002	Hsu	.....	D14/373
D525,282	S	*	7/2006	Barnes	.....	D18/4.5
D526,002	S	*	8/2006	Nakajima	.....	D18/4.5
D542,333	S	*	5/2007	Ando	.....	D18/4.5
D542,834	S	*	5/2007	Ando	.....	D18/4.5
D569,898	S	*	5/2008	Masuda	.....	D18/4.5
D588,186	S	*	3/2009	Yamakawa	.....	D18/4.5
D615,583	S	*	5/2010	Ono	.....	D18/4.5
D620,519	S	*	7/2010	Branck	.....	D18/4.4
D625,355	S	*	10/2010	Branck	.....	D18/12.3
D640,252	S	*	6/2011	Kuroda	.....	D14/307
D689,921	S	*	9/2013	Branck	.....	D18/4.6
D706,863	S	*	6/2014	Branck	.....	D18/4.6
D706,864	S	*	6/2014	Branck	.....	D18/4.6

(Continued)

*Primary Examiner* — Richard E Chilcot  
(74) *Attorney, Agent, or Firm* — George R. McGuire

(57) **CLAIM**

The ornamental design for a point-of-sale terminal, as shown and described.

**DESCRIPTION**

1. Point-of-sale terminal

Fig. 1.1 is a front perspective view of the point of sale terminal;

Fig. 1.2 is a rear perspective view of the point of sale terminal shown in Fig. 1.1;

Fig. 1.3 is a front elevation view of the point of sale terminal shown in Fig. 1.1;

Fig. 1.4 is a rear elevation view of the point of sale terminal shown in Fig. 1.1;

Fig. 1.5 is a right side elevation view of the point of sale terminal shown in Fig. 1.1;

Fig. 1.6 is a left side elevation view of the point of sale terminal shown in Fig. 1.1;

Fig. 1.7 is a top plan elevation view of the point of sale terminal shown in Fig. 1.1; and

(Continued)

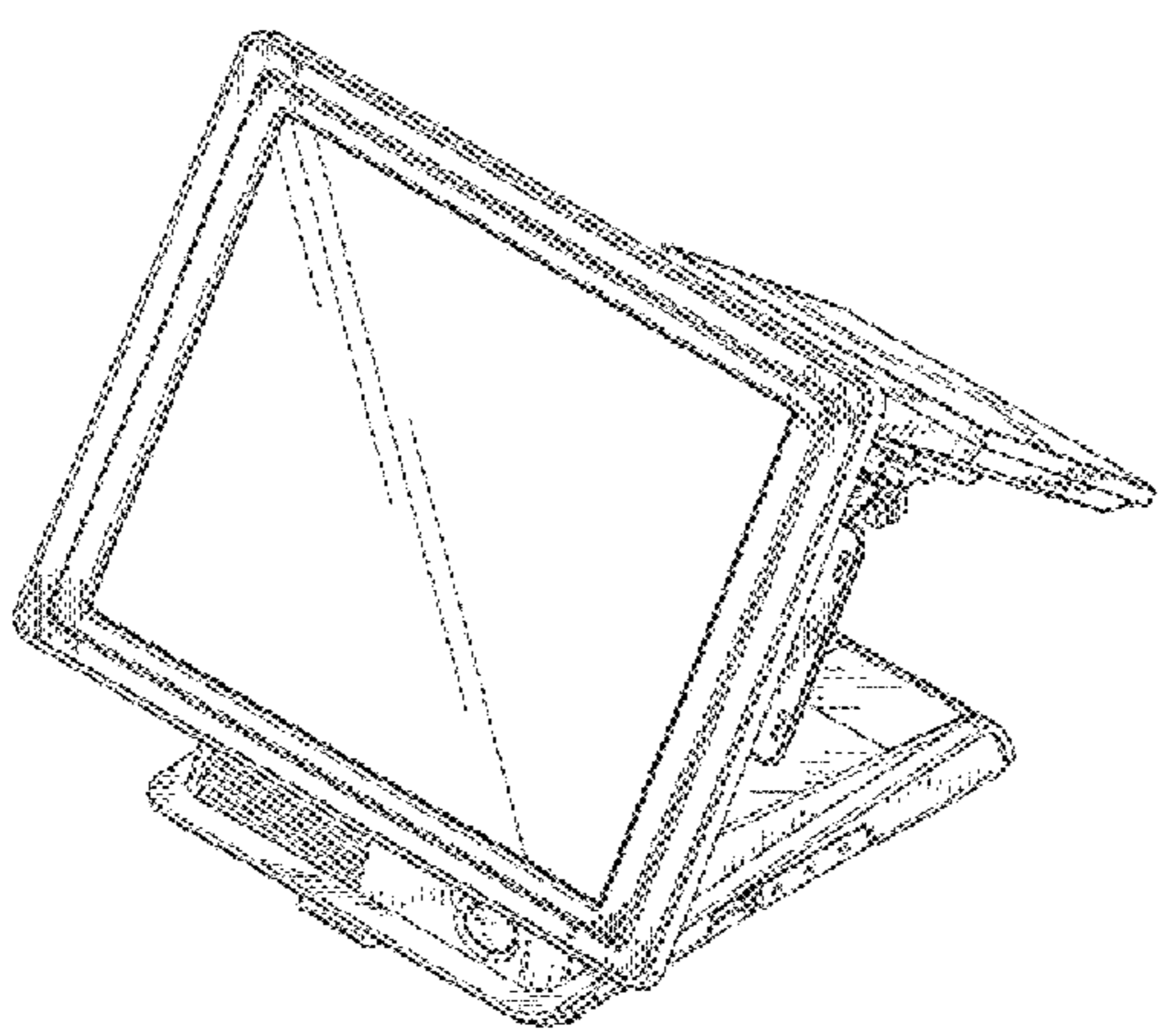


Fig. 1.8 is a bottom plan view of the point of sale terminal shown in Fig. 1.1;

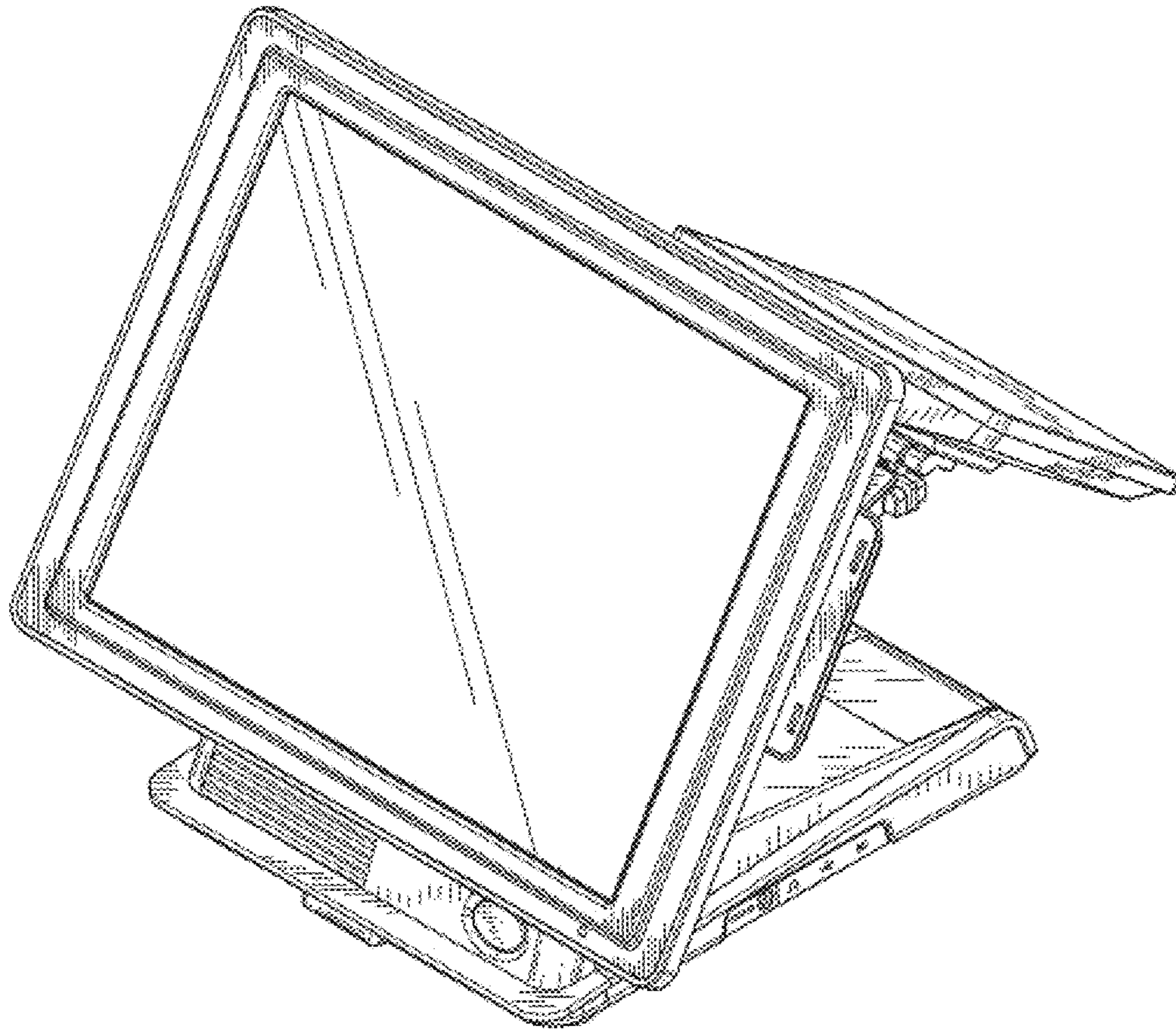
**1 Claim, 8 Drawing Sheets**

(56) **References Cited**

U.S. PATENT DOCUMENTS

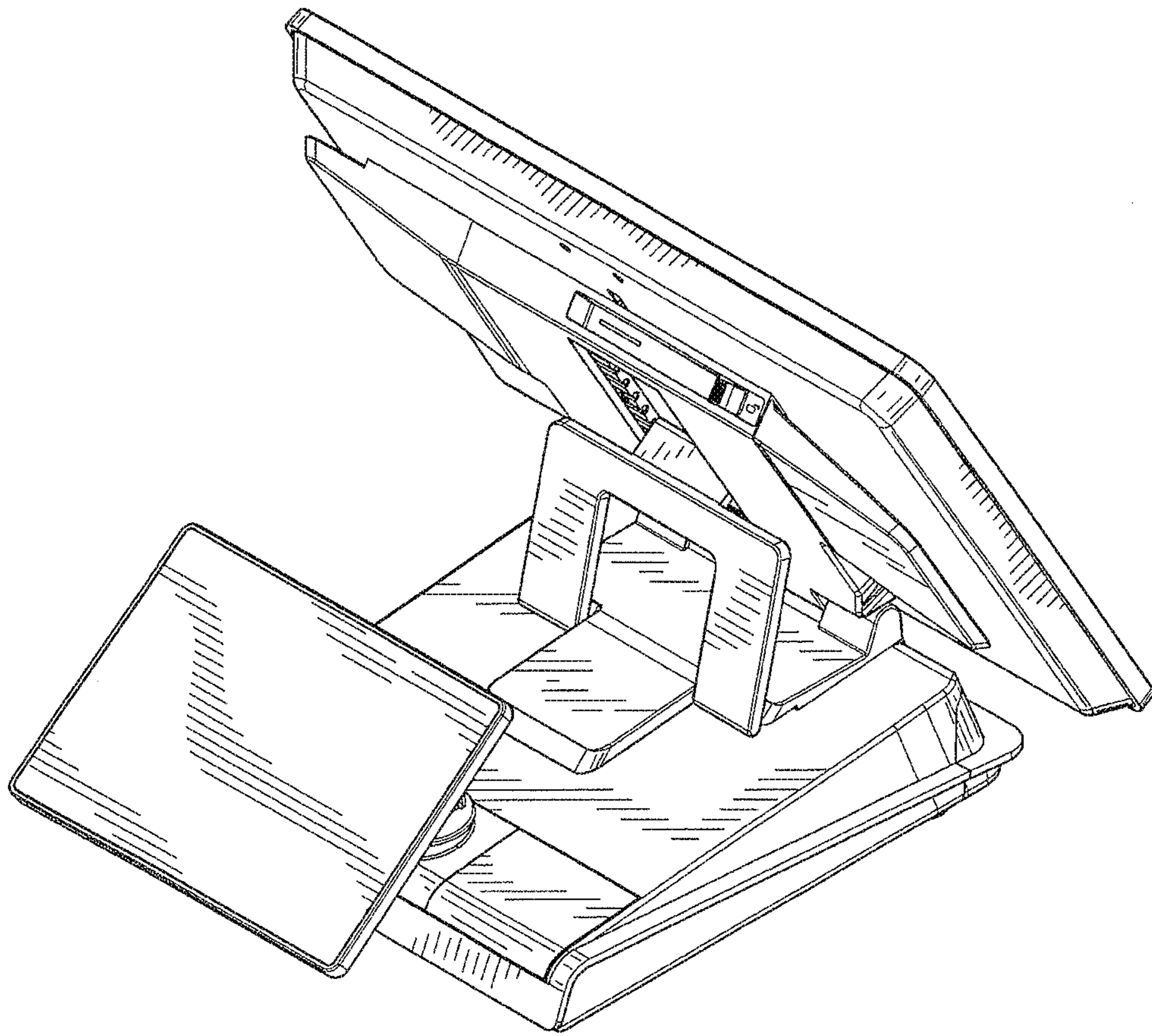
D707,288 S *	6/2014	Branck .....	D18/4.6
D735,802 S *	8/2015	Lyons .....	D18/4.5
D746,902 S *	1/2016	Lyons .....	D18/4.5
D761,899 S *	7/2016	Beatty .....	D18/4.6
D772,335 S *	11/2016	Mantrawadi .....	D18/4.6
D773,554 S *	12/2016	Zong .....	D18/4.4

\* cited by examiner

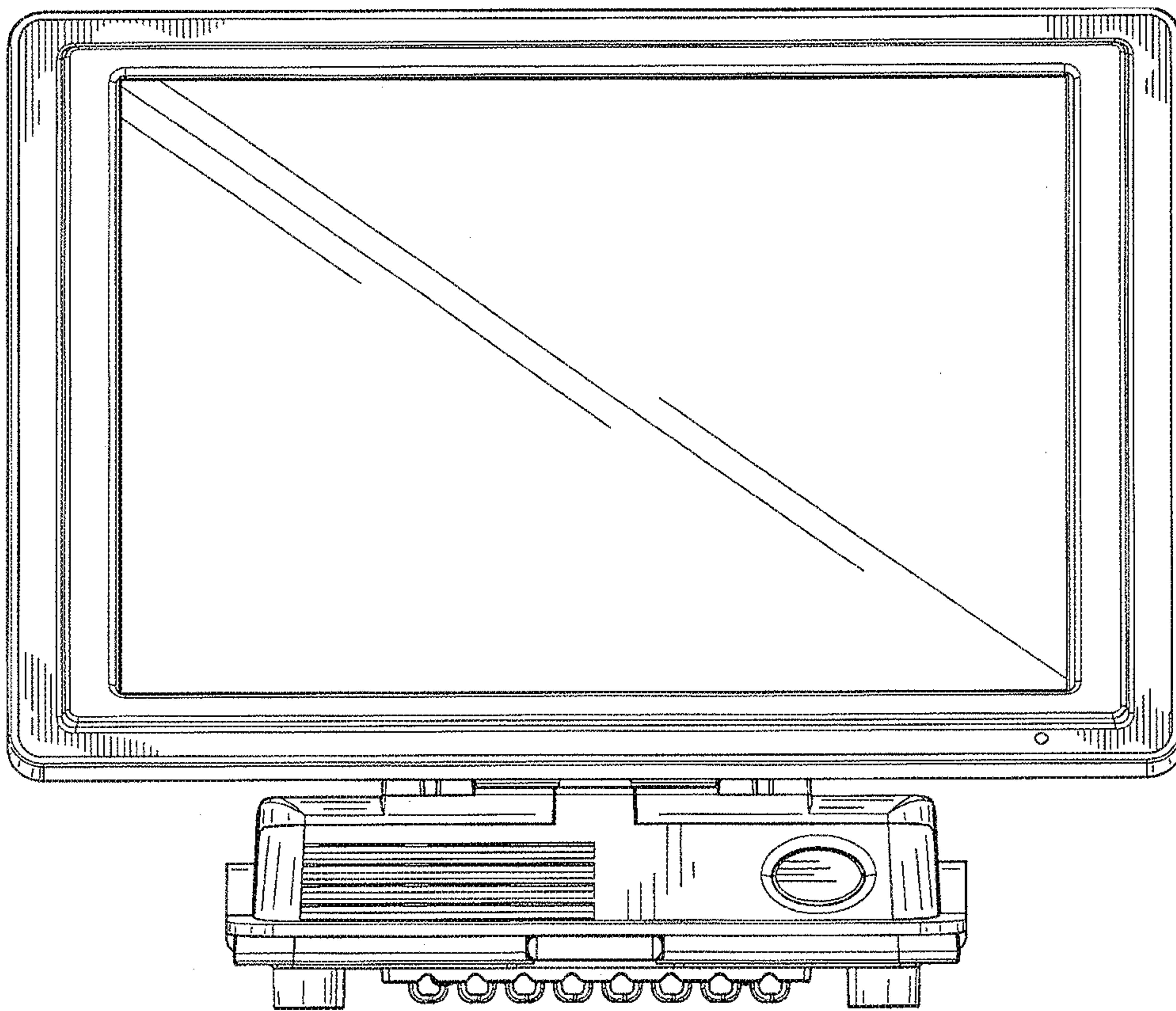


1.1

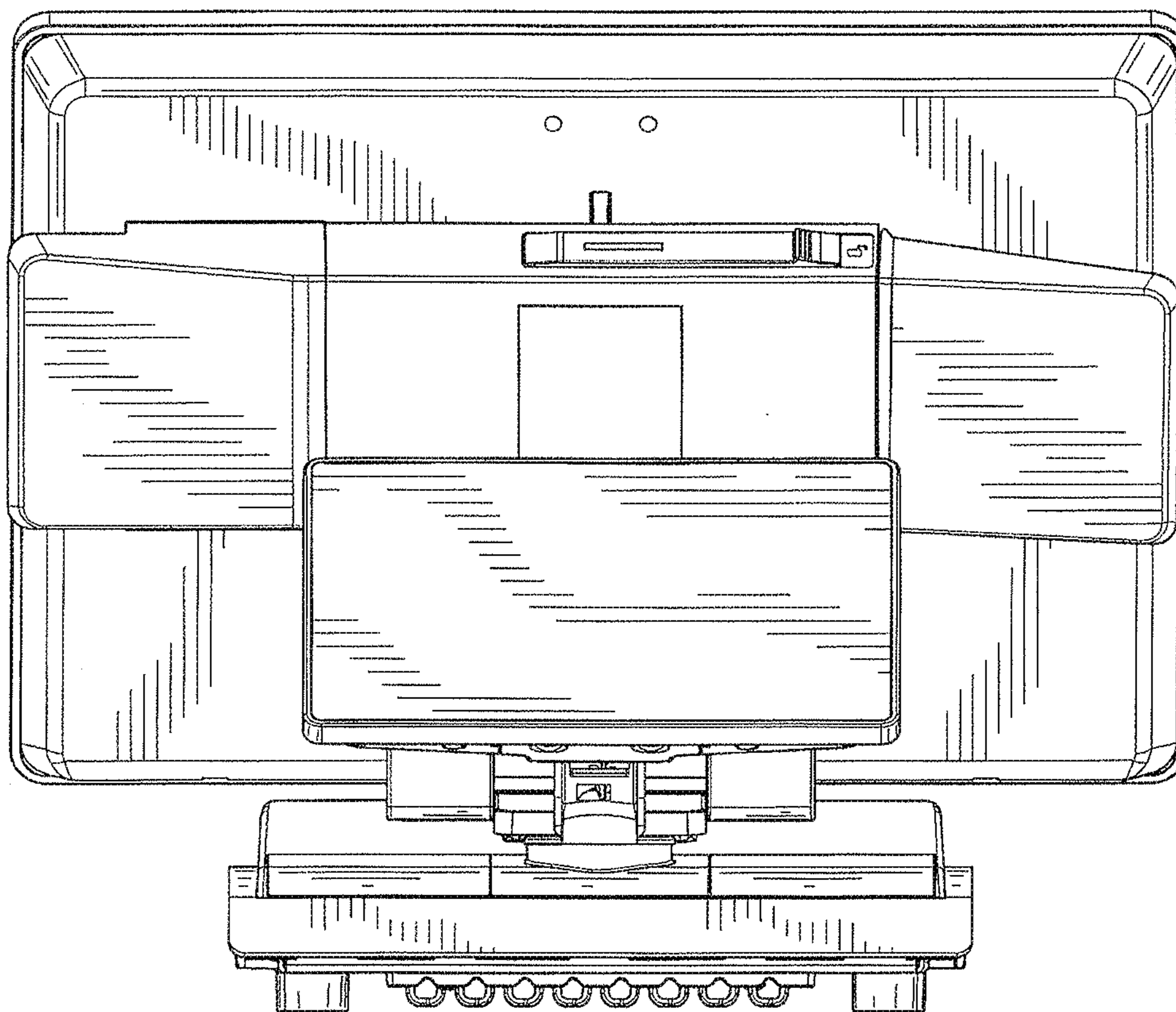




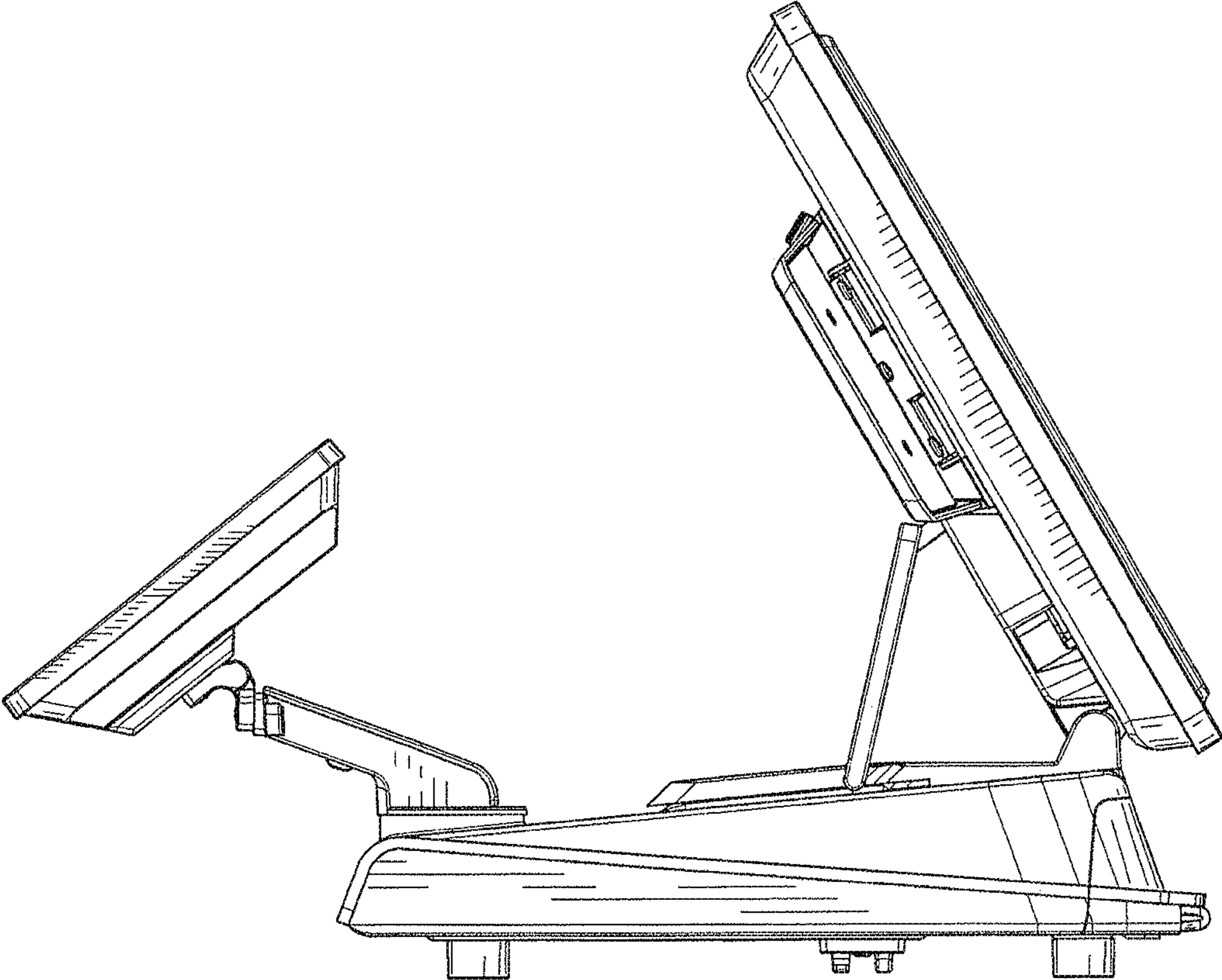
1.2



1.3

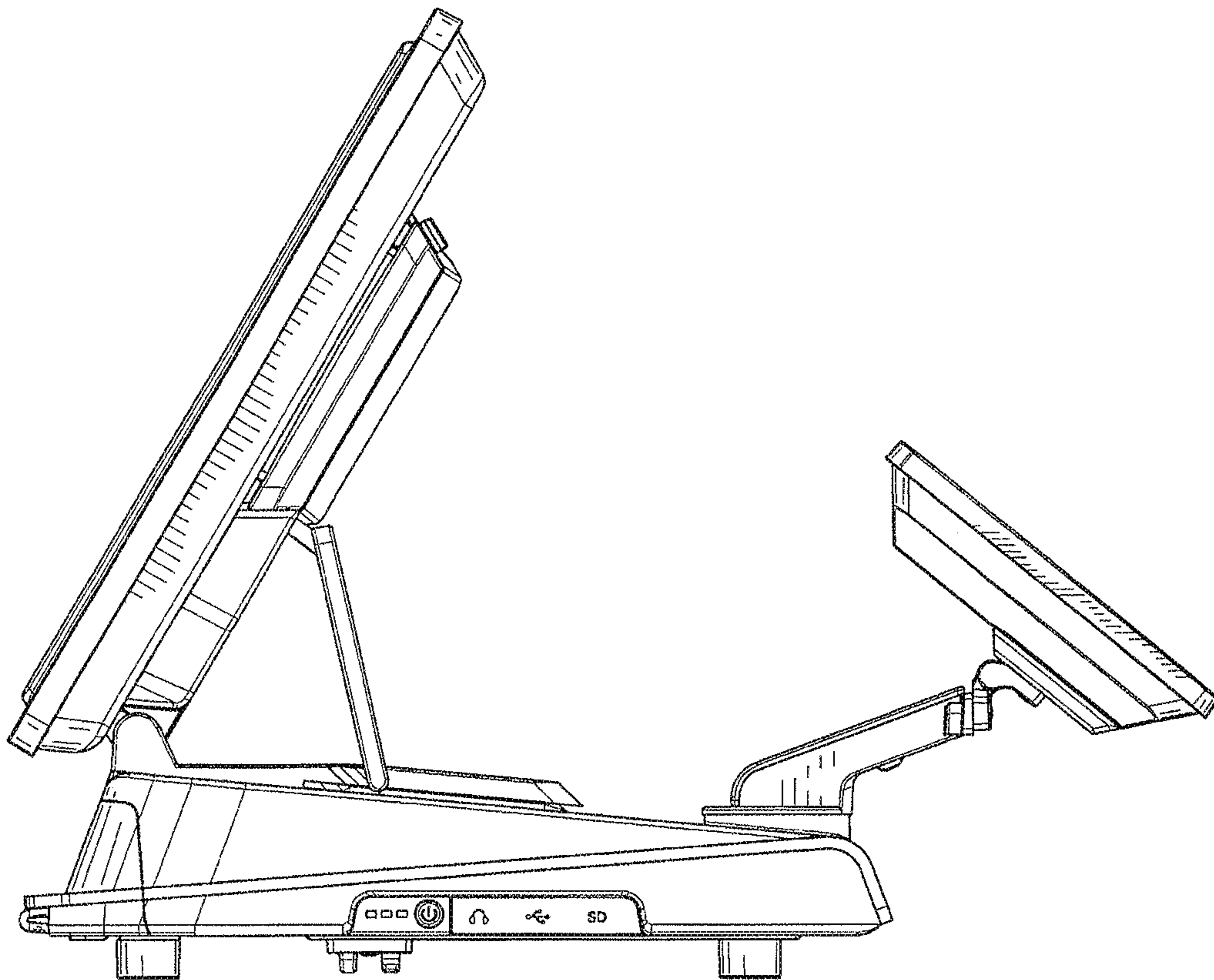


1.4



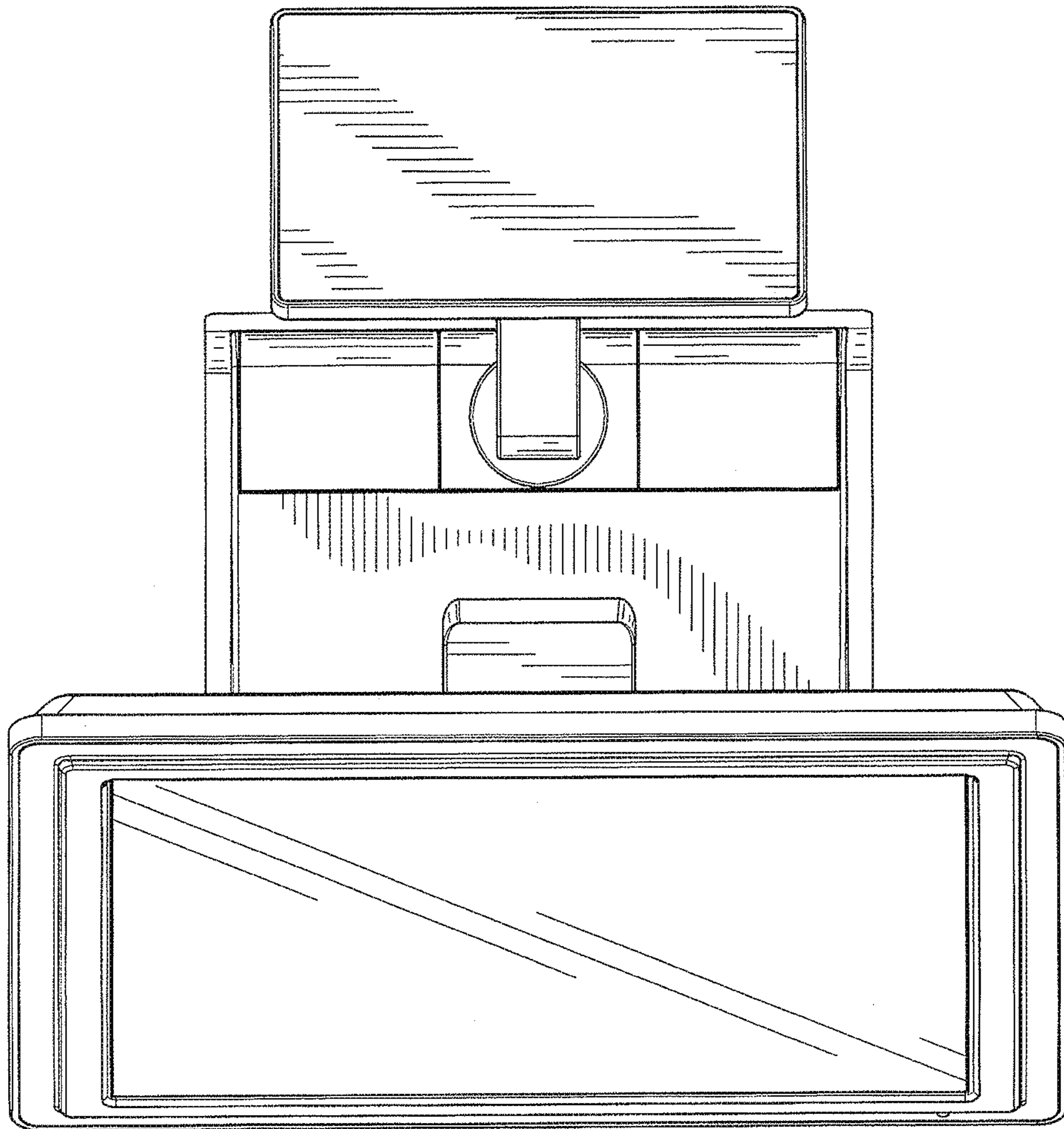
1.5



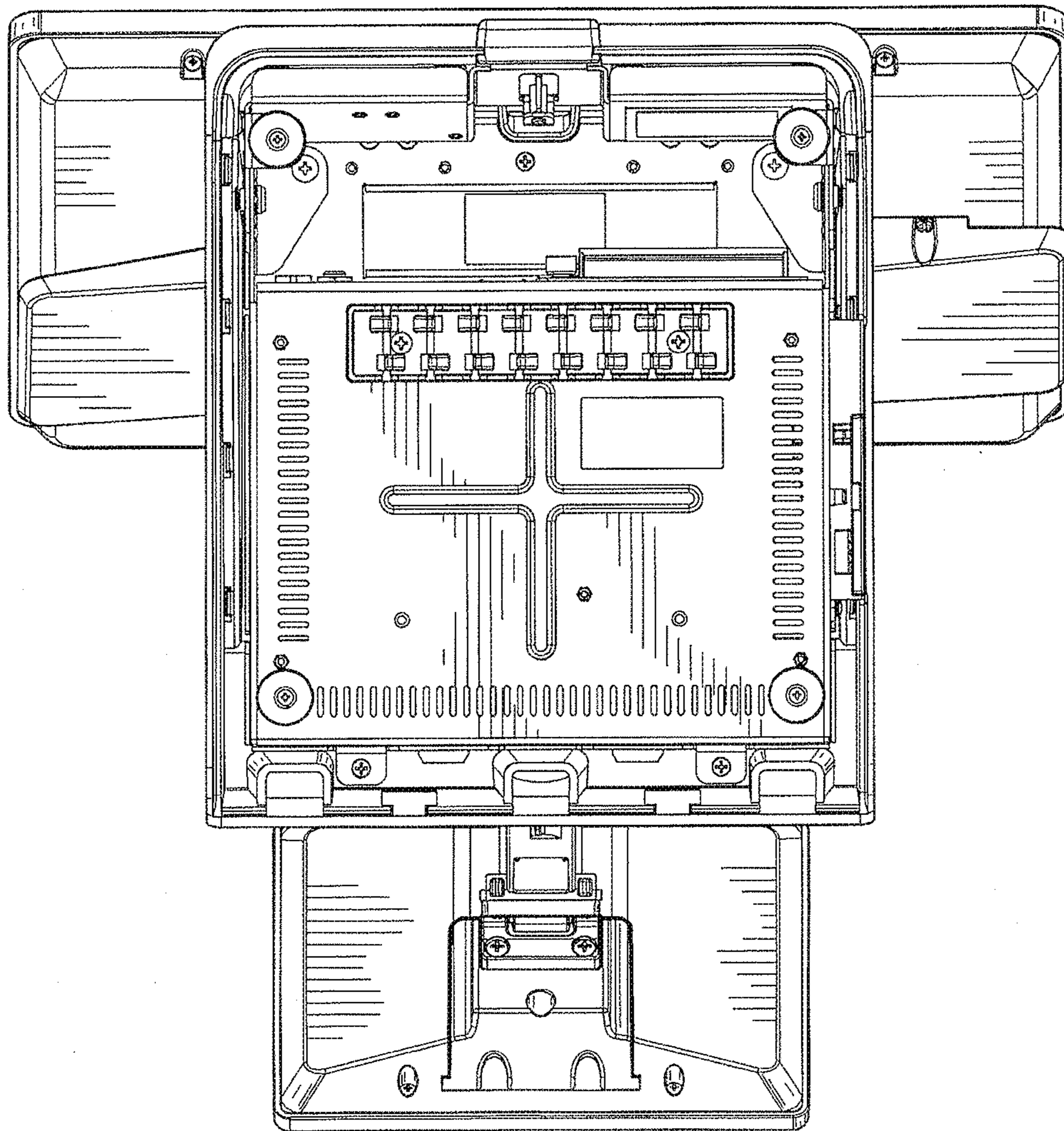


1.6





1.7



1.8