



US00D849829S

(12) **United States Design Patent** (10) **Patent No.:** **US D849,829 S**
Liu et al. (45) **Date of Patent:** **** May 28, 2019**

(54) **UPRIGHT PIANO**
(71) Applicant: **SUNLAND INFORMATION TECHNOLOGY CO., LTD.**, Shanghai (CN)
(72) Inventors: **Xiaolu Liu**, Shanghai (CN); **Kevin Patrick Burke**, Shanghai (CN)
(73) Assignee: **SUNLAND INFORMATION TECHNOLOGY CO., LTD.**, Shanghai (CN)

D236,027 S * 7/1975 Terrell D14/168
D481,065 S * 10/2003 Sato D17/7
D488,184 S * 4/2004 Ohno D17/7

FOREIGN PATENT DOCUMENTS

CN 201530548251 * 12/2015

OTHER PUBLICATIONS

Find Piano, Product page, webarchive Jun. 15, 2017, [online], [site visited Aug. 29, 2018]. Available from Internet, <URL: <https://web.archive.org/web/20170615221840/http://www.findpiano.cn/product.html>> (Year: 2017).*

* cited by examiner

Primary Examiner — Sheryl Lane
Assistant Examiner — Samantha N Wood
(74) *Attorney, Agent, or Firm* — Metis IP LLC

(**) Term: **15 Years**
(21) Appl. No.: **29/622,522**
(22) Filed: **Oct. 17, 2017**
(51) **LOC (11) Cl.** **17-01**
(52) **U.S. Cl.**
USPC **D17/7**
(58) **Field of Classification Search**
USPC D17/1, 2, 5, 7, 8, 99; D21/405, 409, 586
CPC ... G10C 1/00; G10C 1/02; G10C 3/00; G10C 3/02; G10C 3/04; G10C 3/16
See application file for complete search history.

(57) **CLAIM**

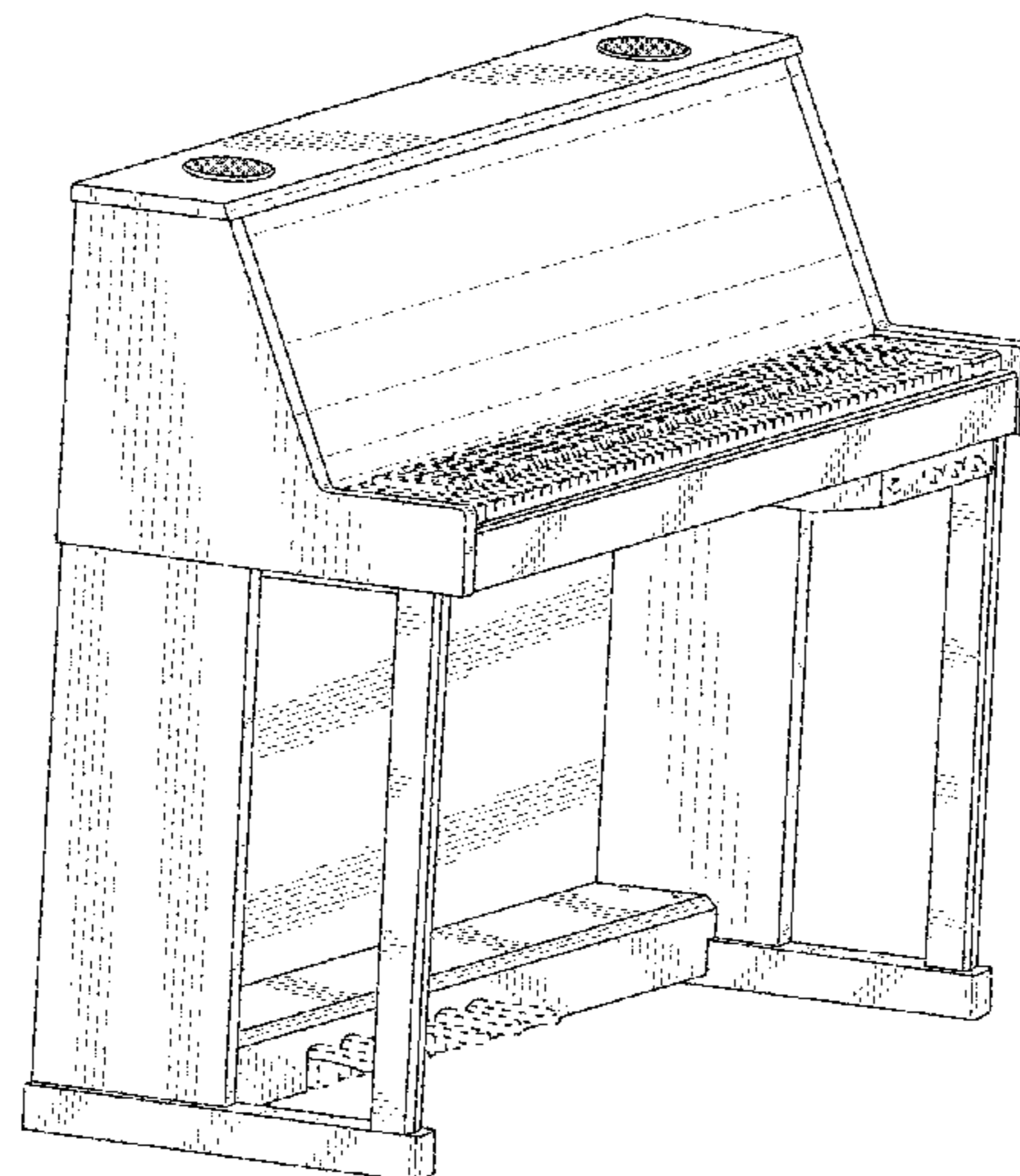
The ornamental design for an upright piano, as shown and described.

DESCRIPTION

FIG. 1 is a perspective view of an upright piano showing our new design;
FIG. 2 is a front view thereof;
FIG. 3 is a rear view thereof;
FIG. 4 is a left view thereof
FIG. 5 is a right view thereof;
FIG. 6 is a top view thereof; and,
FIG. 7 is a bottom view thereof.
The broken lines and dash-dot lines are included for the purpose of illustrating portions of the upright piano and form no part of the claimed design.

(56) **References Cited**
U.S. PATENT DOCUMENTS
D45,729 S * 5/1914 Smith D21/409
D98,104 S * 1/1936 Zaiser D17/7
D100,278 S * 7/1936 Metcalf D17/2
2,067,880 A * 1/1937 Heller G10C 1/00
84/177
2,081,704 A * 5/1937 Heller G10C 1/00
84/174
D143,501 S * 1/1946 Nields 84/177
3,248,989 A * 5/1966 Schroth G10C 3/02
84/177

1 Claim, 7 Drawing Sheets



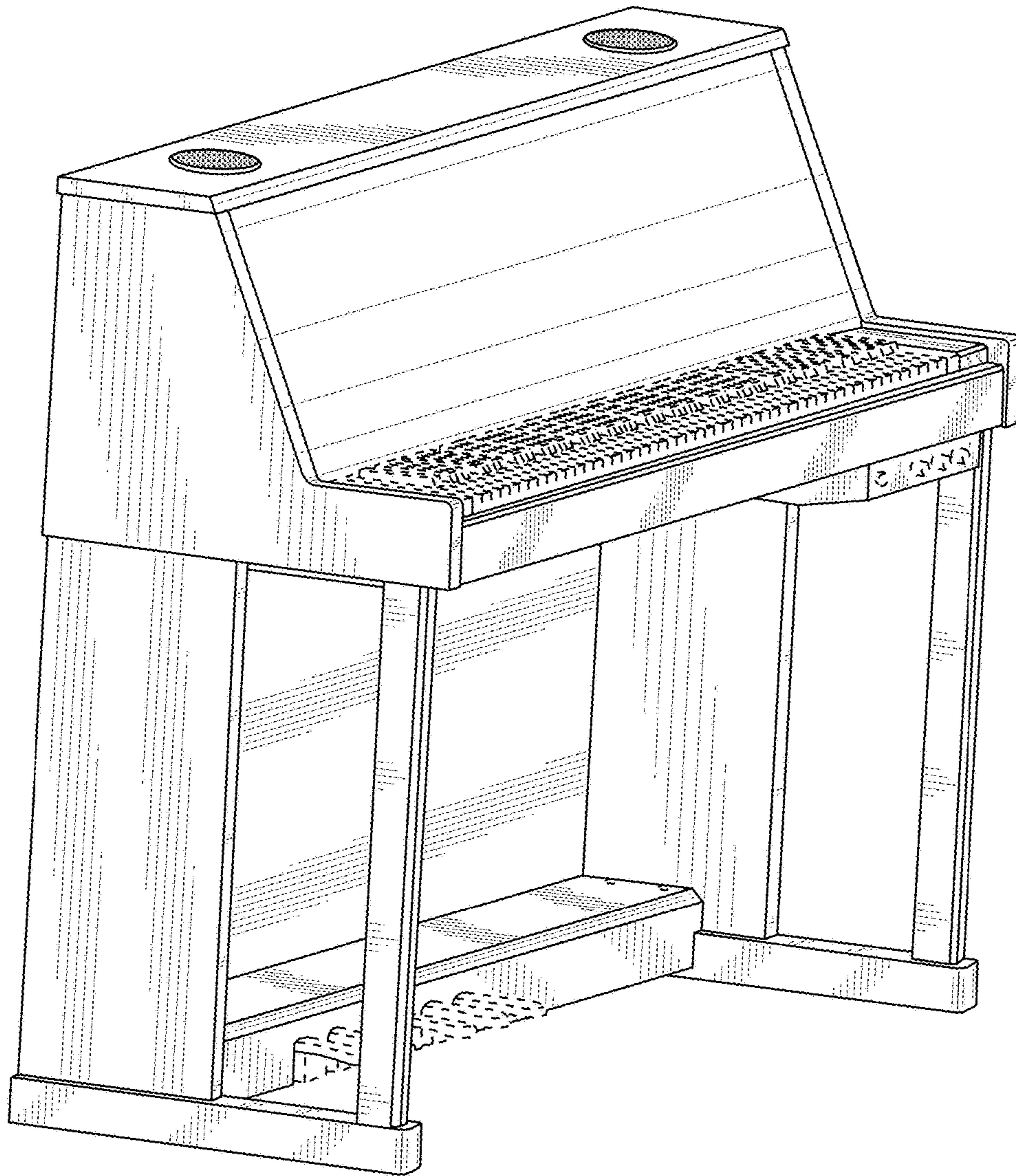


FIG. 1

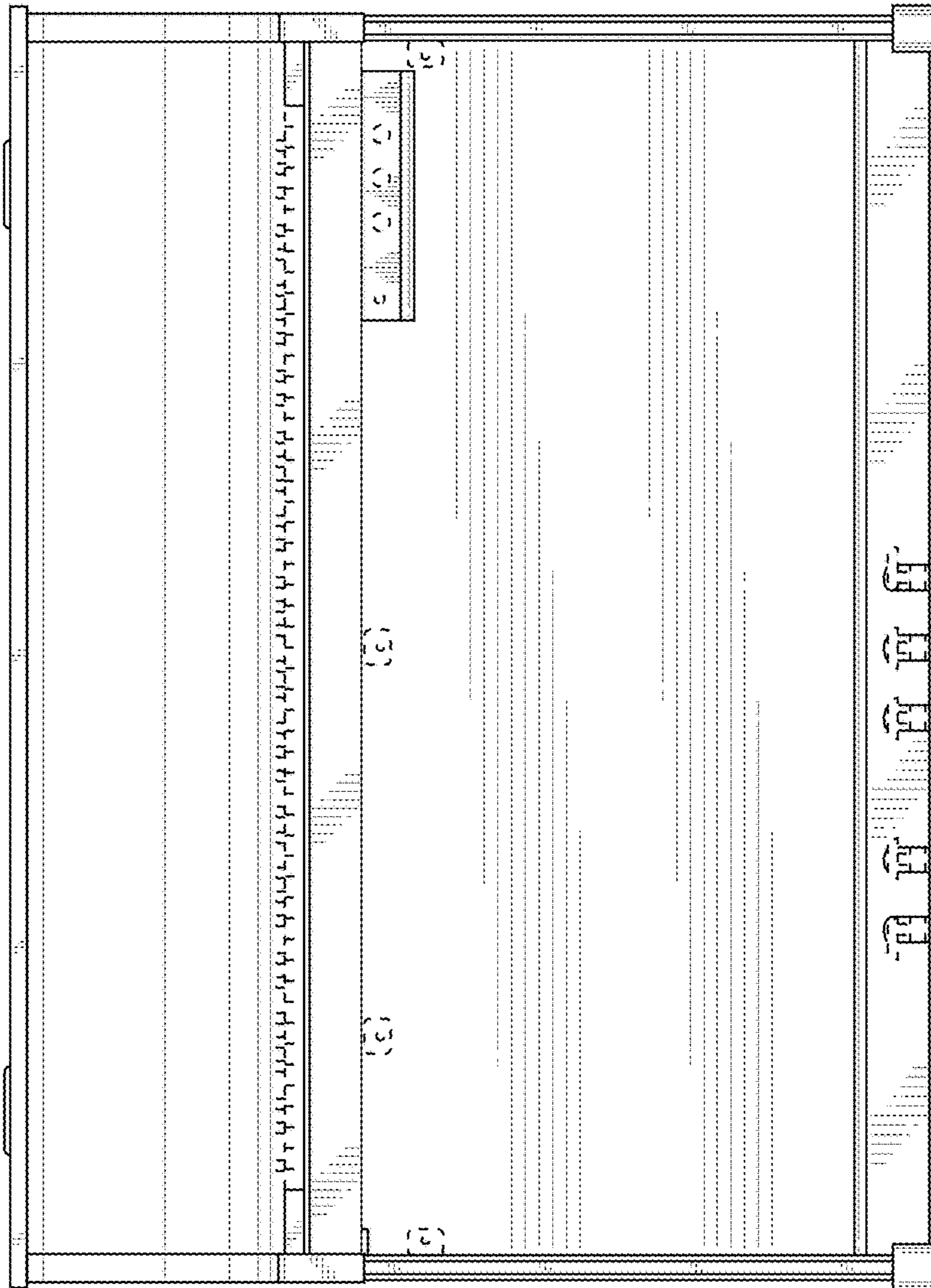


FIG. 2

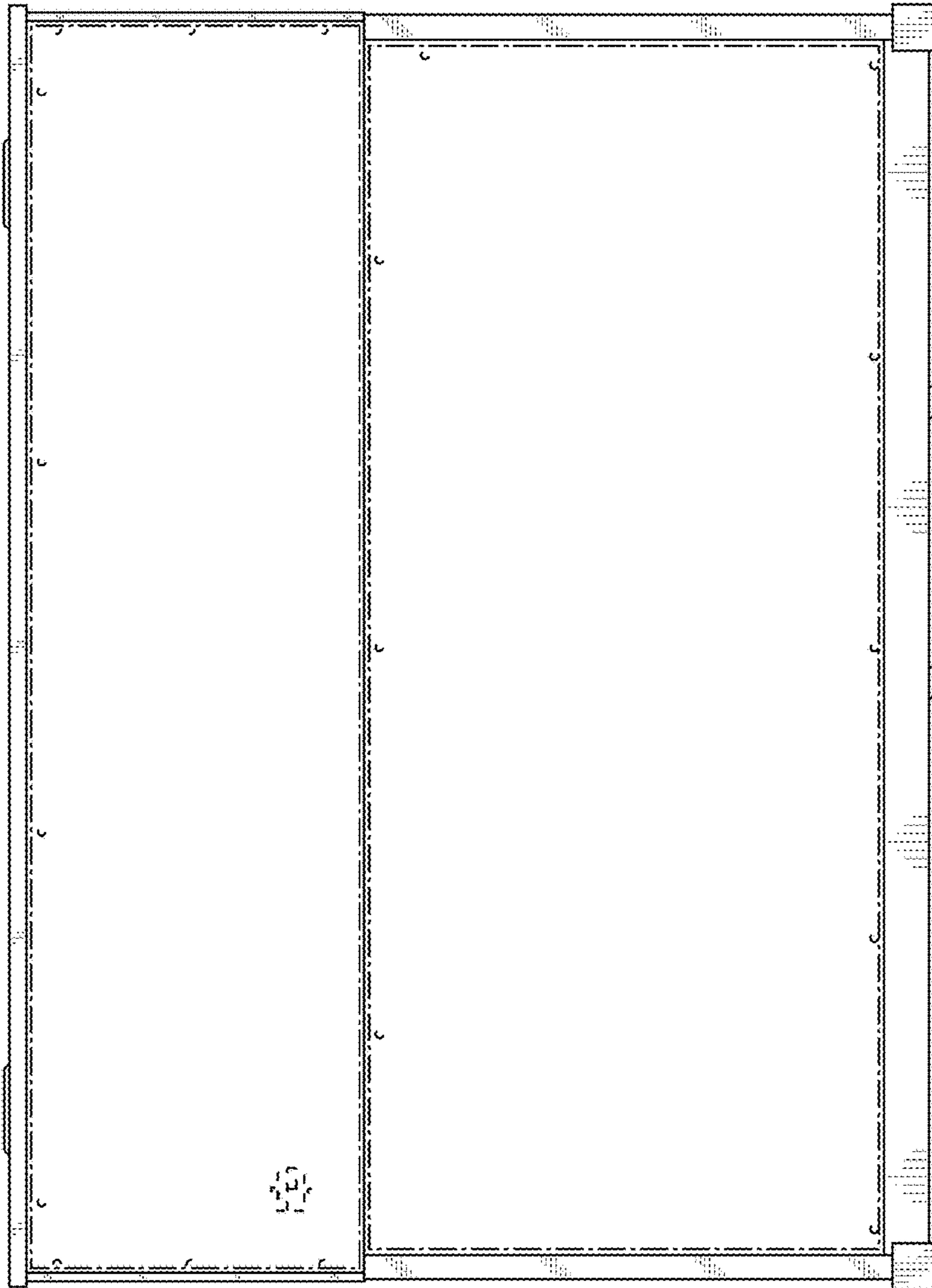


FIG. 3

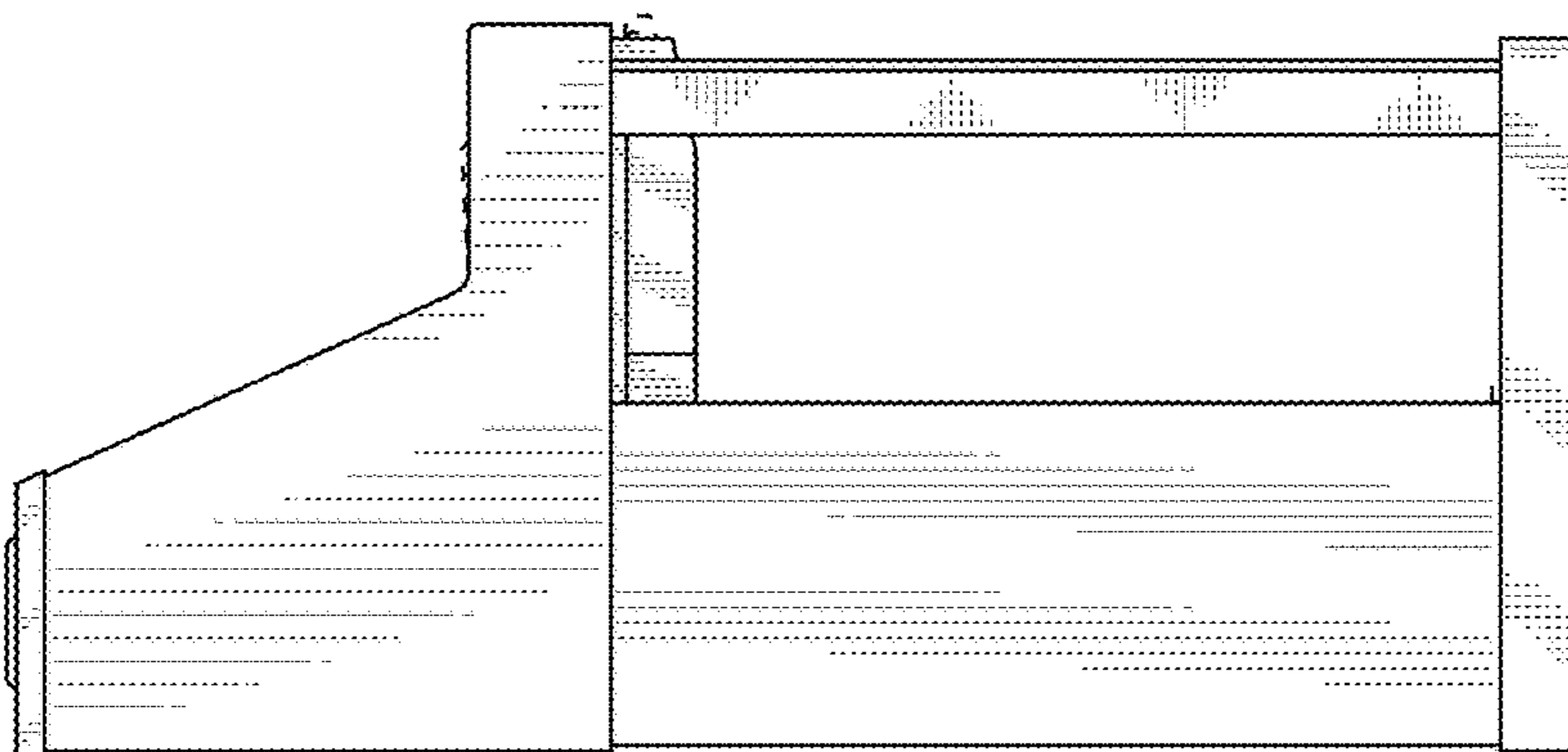


FIG. 4

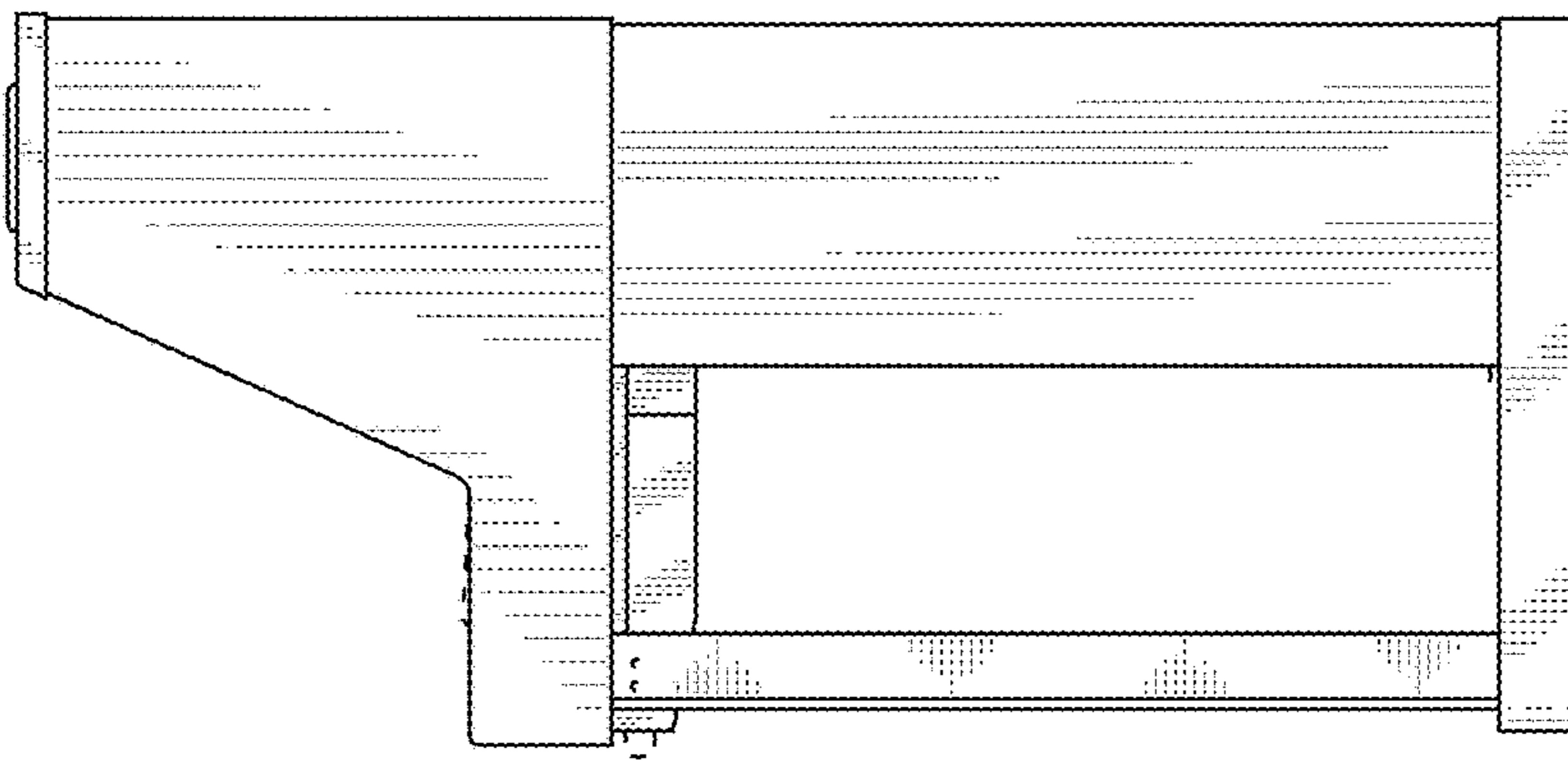


FIG. 5

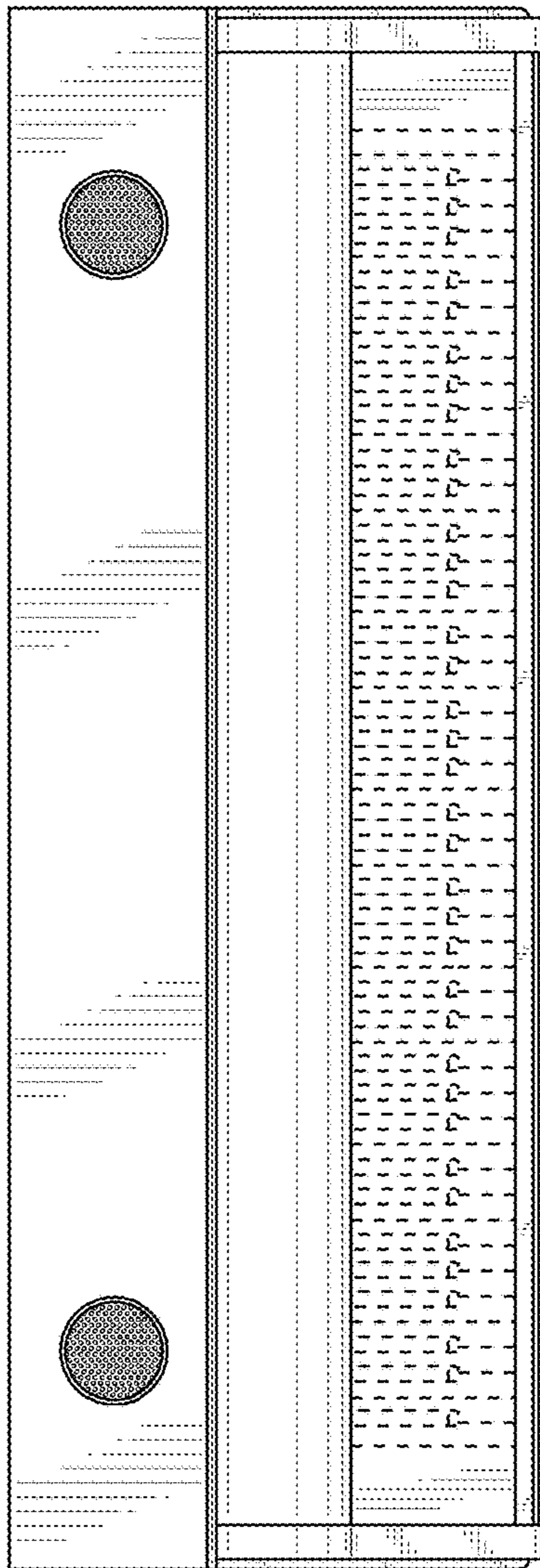


FIG. 6

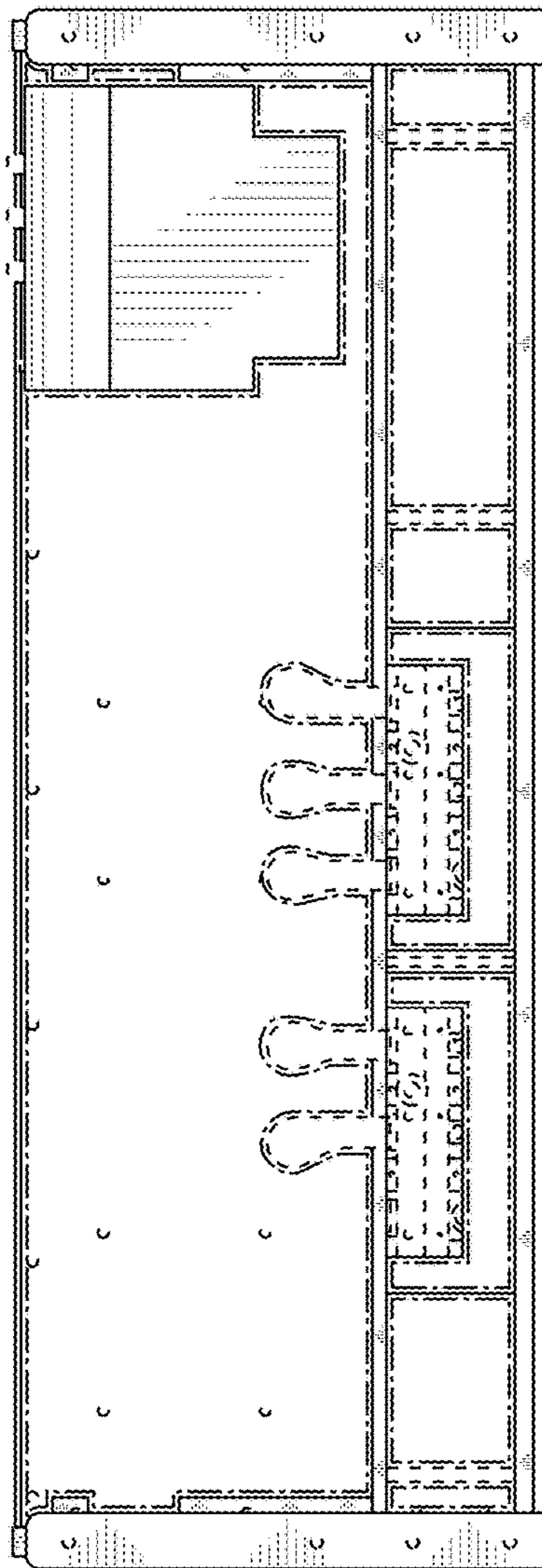


FIG. 7