

US00D849828S

(12) **United States Design Patent** (10) **Patent No.:** **US D849,828 S**  
**Liu et al.** (45) **Date of Patent:** **\*\* May 28, 2019**

(54) **UPRIGHT PIANO**

FOREIGN PATENT DOCUMENTS

(71) Applicant: **SUNLAND INFORMATION TECHNOLOGY CO., LTD.**, Shanghai (CN)

CA 2428570 A1 \* 2/2003 ..... G10C 1/02

(72) Inventors: **Xiaolu Liu**, Shanghai (CN); **Kevin Patrick Burke**, Shanghai (CN)

OTHER PUBLICATIONS

Find Piano, Product page, webarchive Jun. 15, 2017, [online], [site visited Aug. 29, 2018]. Available from Internet, <URL: <https://web.archive.org/web/20170615221840/http://www.findpiano.cn/product.html>> (Year: 2017).\*

(73) Assignee: **SUNLAND INFORMATION TECHNOLOGY CO., LTD.**, Shanghai (CN)

\* cited by examiner

(\*\*) Term: **15 Years**

*Primary Examiner* — Sheryl Lane

*Assistant Examiner* — Samantha N Wood

(21) Appl. No.: **29/622,520**

(74) *Attorney, Agent, or Firm* — Metis IP LLC

(22) Filed: **Oct. 17, 2017**

(51) **LOC (11) Cl.** ..... **17-01**

(52) **U.S. Cl.**

USPC ..... **D17/7**

(58) **Field of Classification Search**

USPC .... D17/1, 2, 5, 7, 8, 99; D21/405, 409, 586  
CPC ... G10C 1/00; G10C 1/02; G10C 3/00; G10C 3/02; G10C 3/04; G10C 3/16

See application file for complete search history.

(57) **CLAIM**

The ornamental design for an upright piano, as shown and described.

**DESCRIPTION**

(56) **References Cited**

U.S. PATENT DOCUMENTS

D98,104 S *	1/1936	Zaiser	.....	D17/7
D100,278 S *	7/1936	Metcalf	.....	D17/2
2,081,704 A *	5/1937	Heller	.....	G10C 1/00
				84/174
D115,513 S *	7/1939	Day	.....	D17/7
D143,501 S *	1/1946	Nields	.....	84/177
3,248,989 A *	5/1966	Schroth	.....	G10C 3/02
				84/177
3,605,543 A *	9/1971	Ohara	.....	G10C 3/02
				84/177
D481,065 S *	10/2003	Sato	.....	D17/7
D488,184 S *	4/2004	Ohno	.....	D17/7

FIG. 1 is a front perspective view of an upright piano showing our new design;

FIG. 2 is a rear perspective view thereof.

FIG. 3 is a front view thereof;

FIG. 4 is a rear view thereof;

FIG. 5 is a left view thereof;

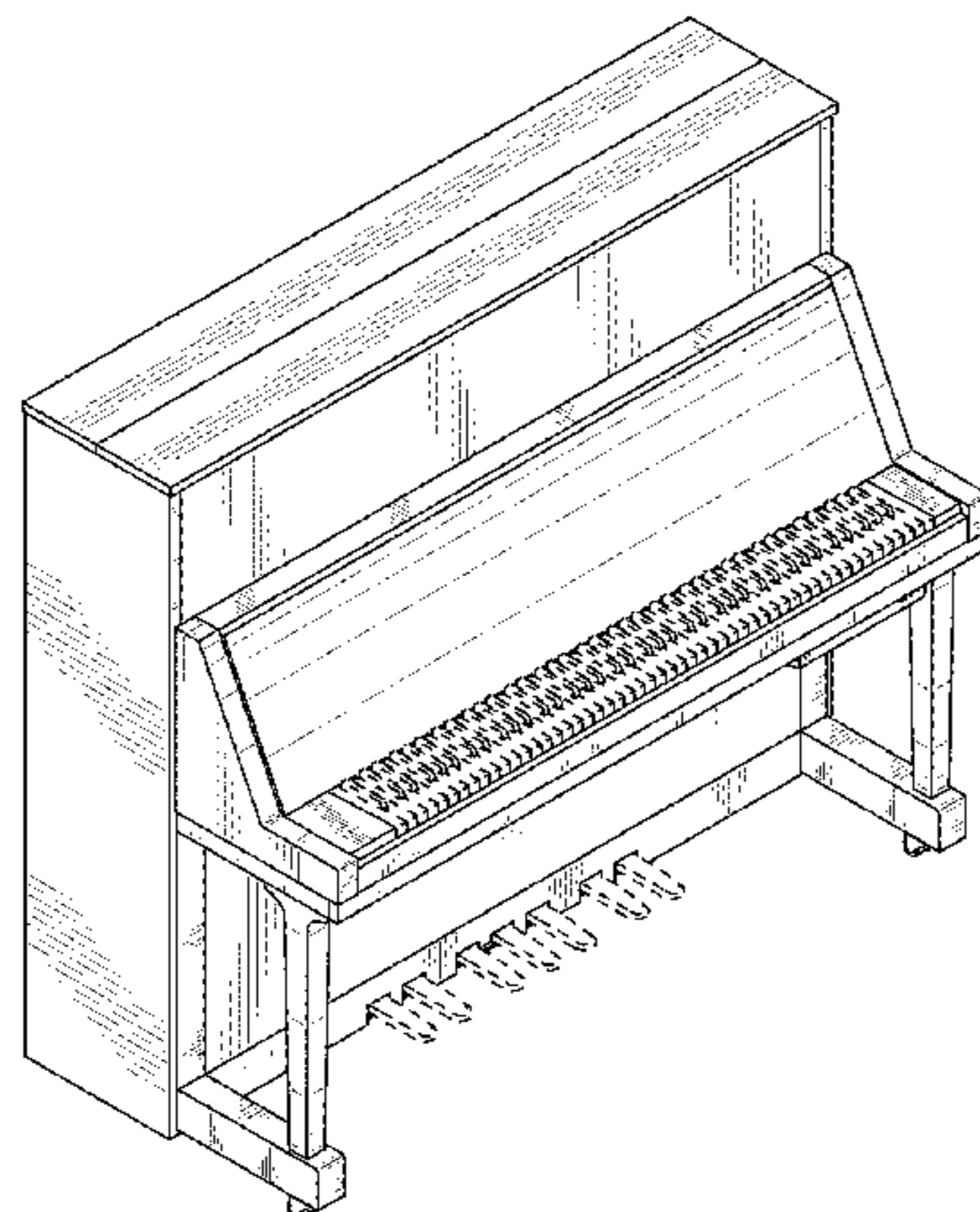
FIG. 6 is a right view thereof;

FIG. 7 is a top view thereof; and,

FIG. 8 is a bottom view thereof.

The broken lines are included for the purpose of illustrating portions of the upright piano and form no part of the claimed design.

**1 Claim, 8 Drawing Sheets**



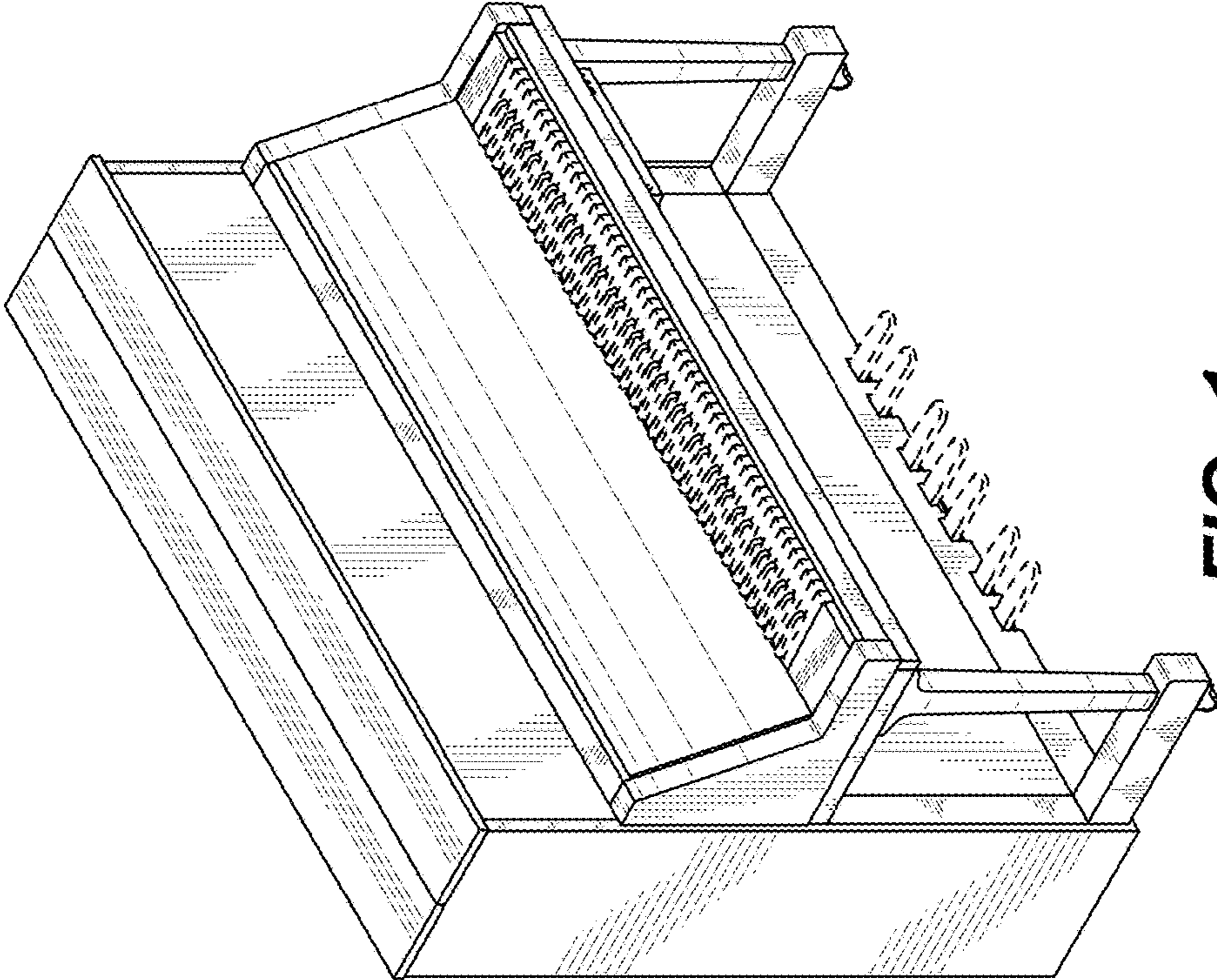


FIG. 1

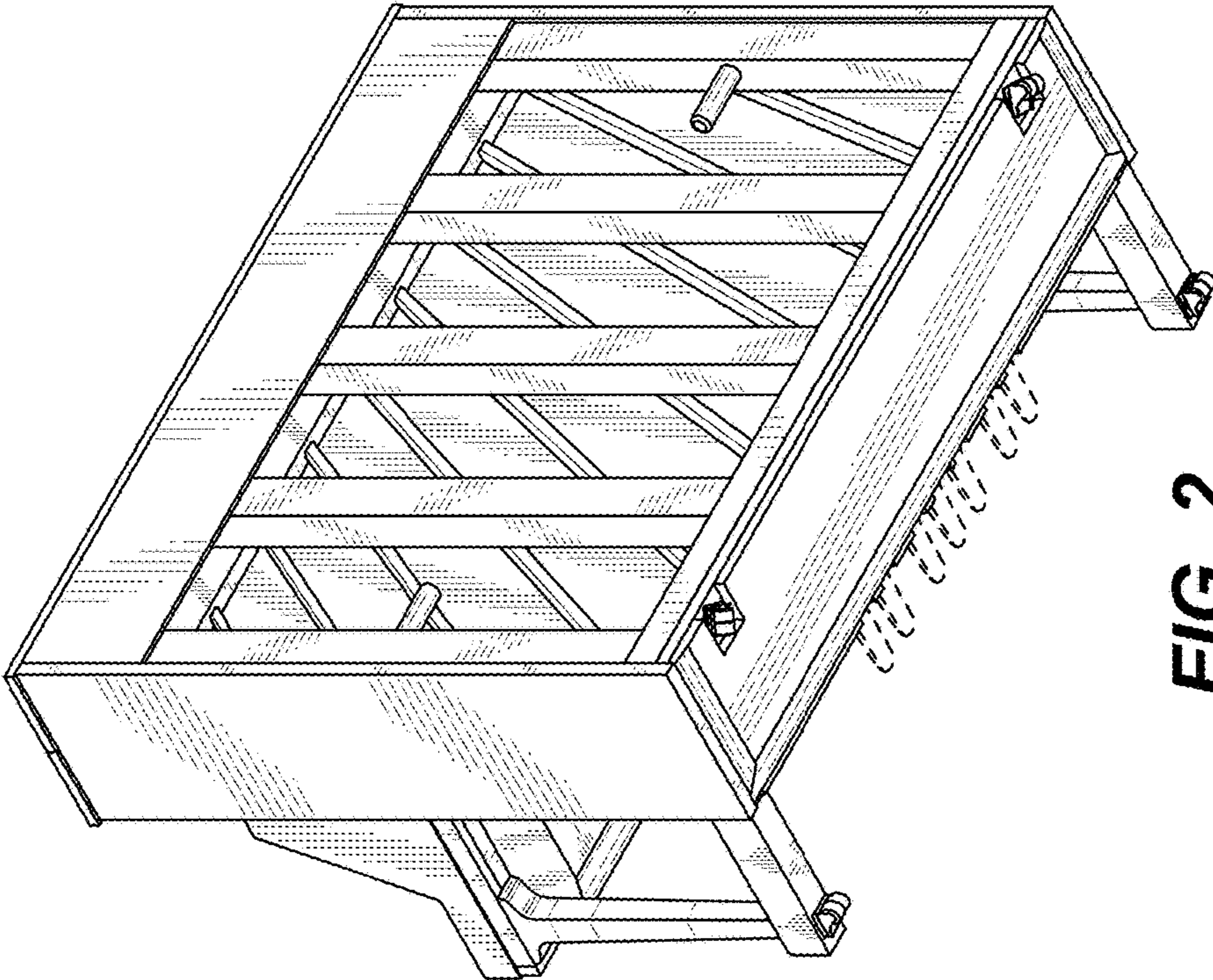
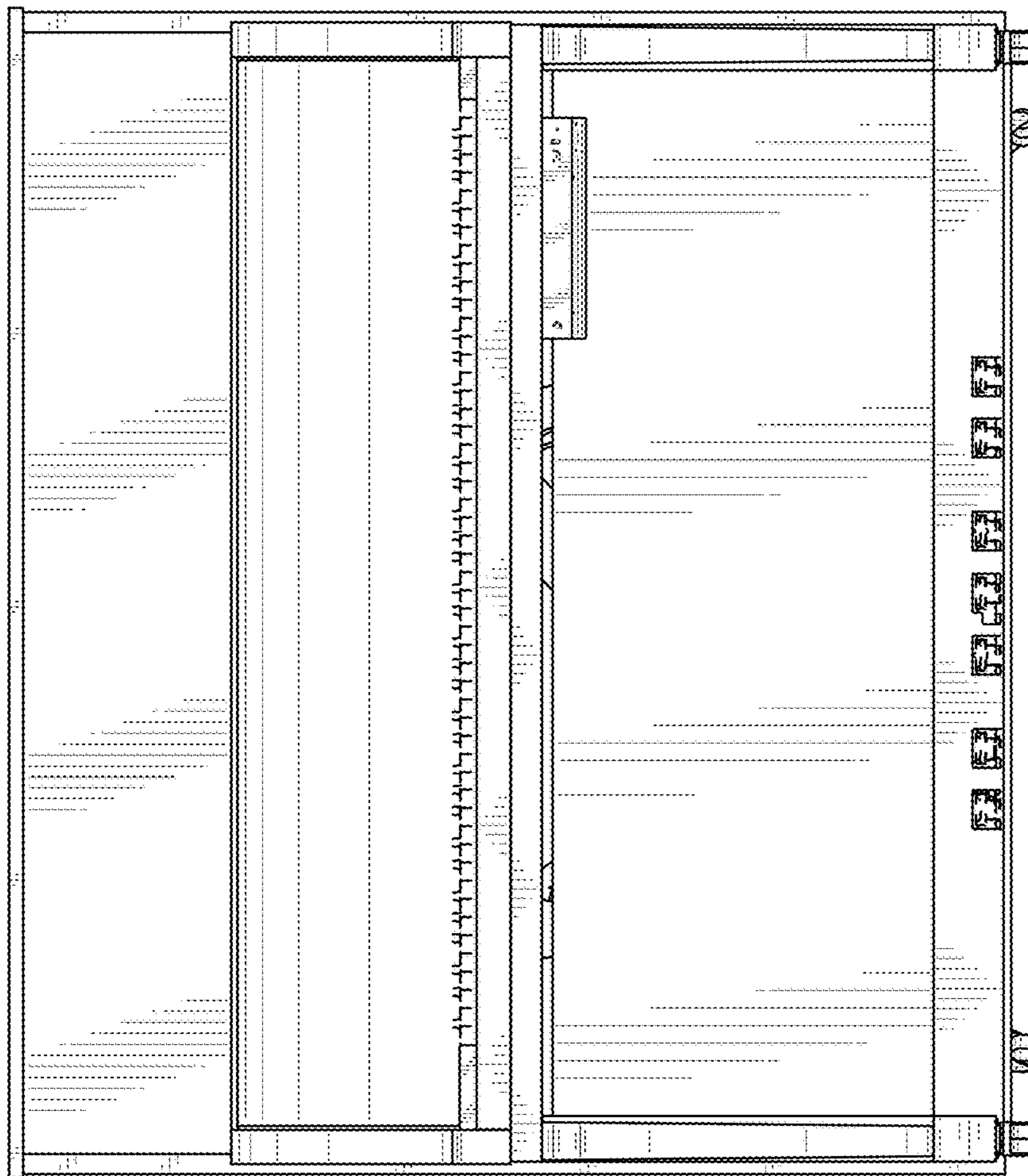
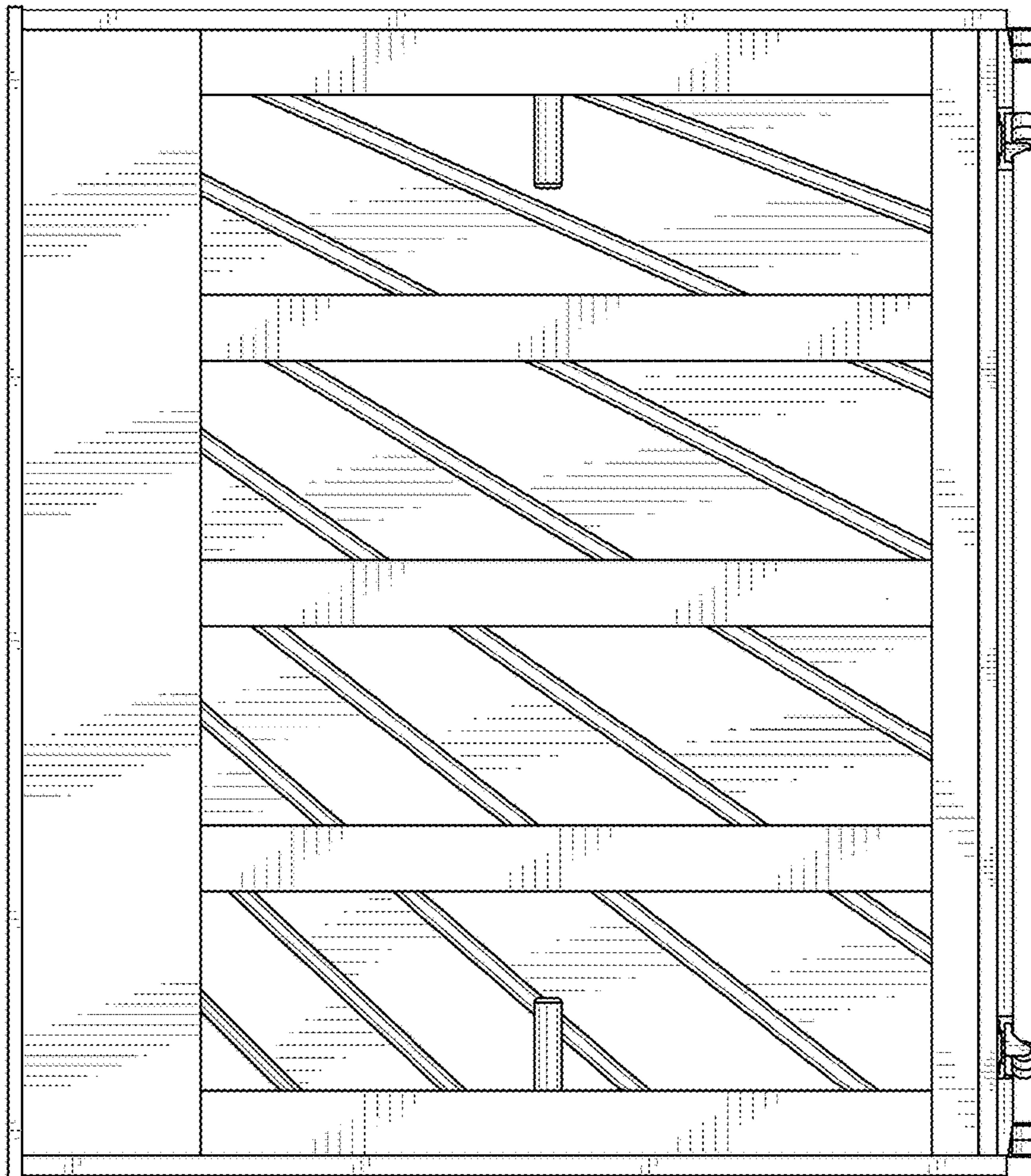


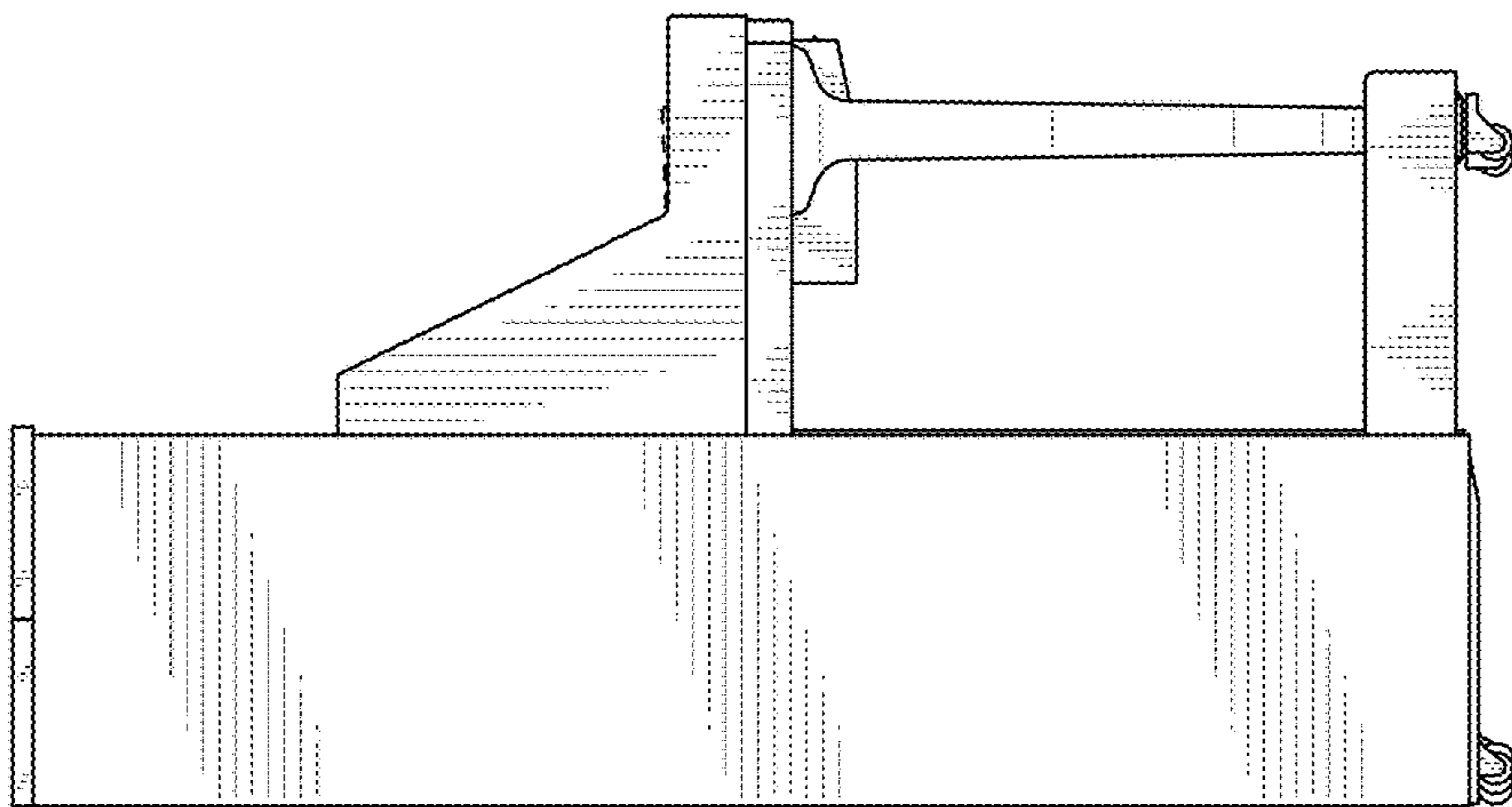
FIG. 2



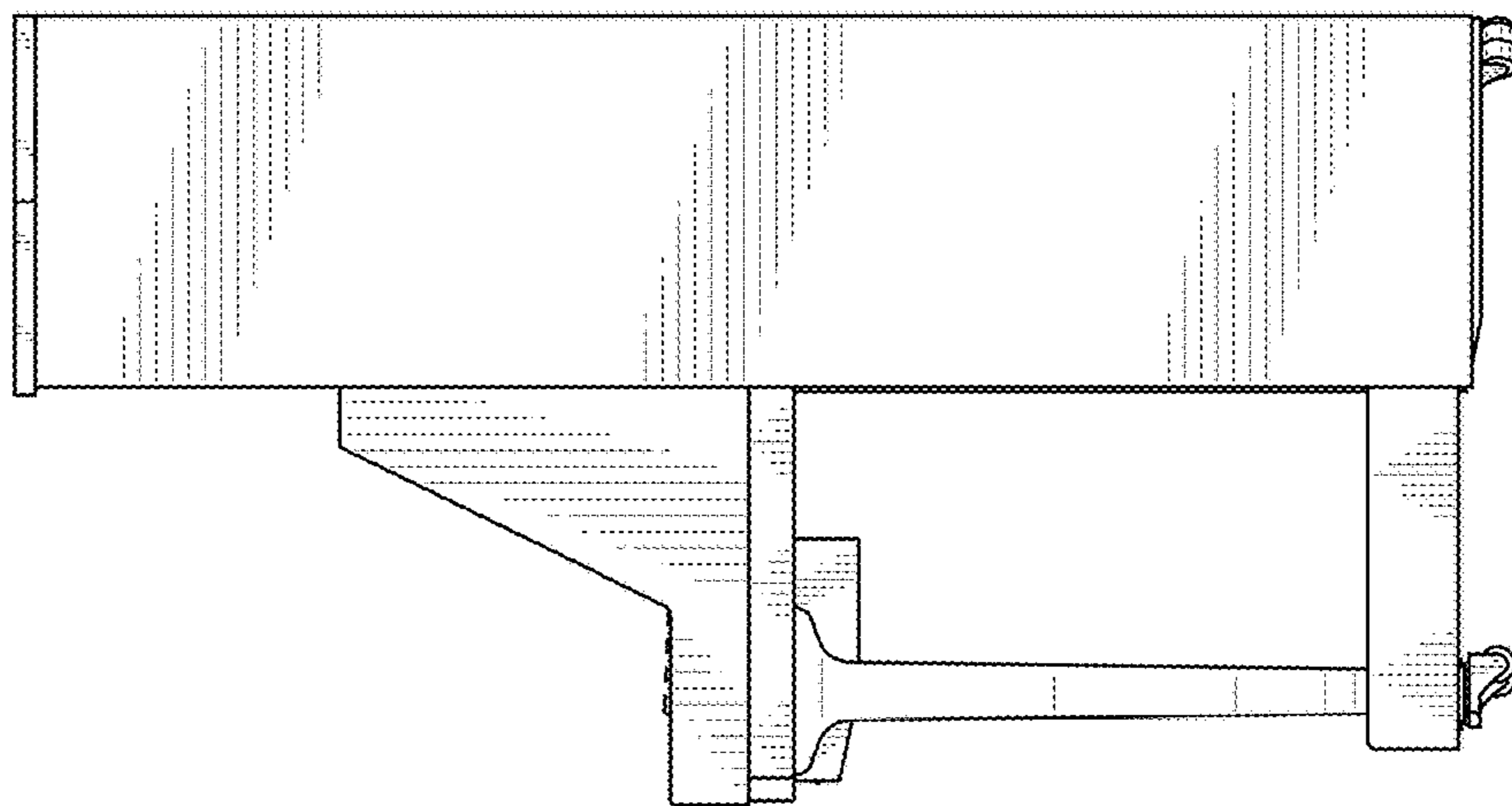
**FIG. 3**



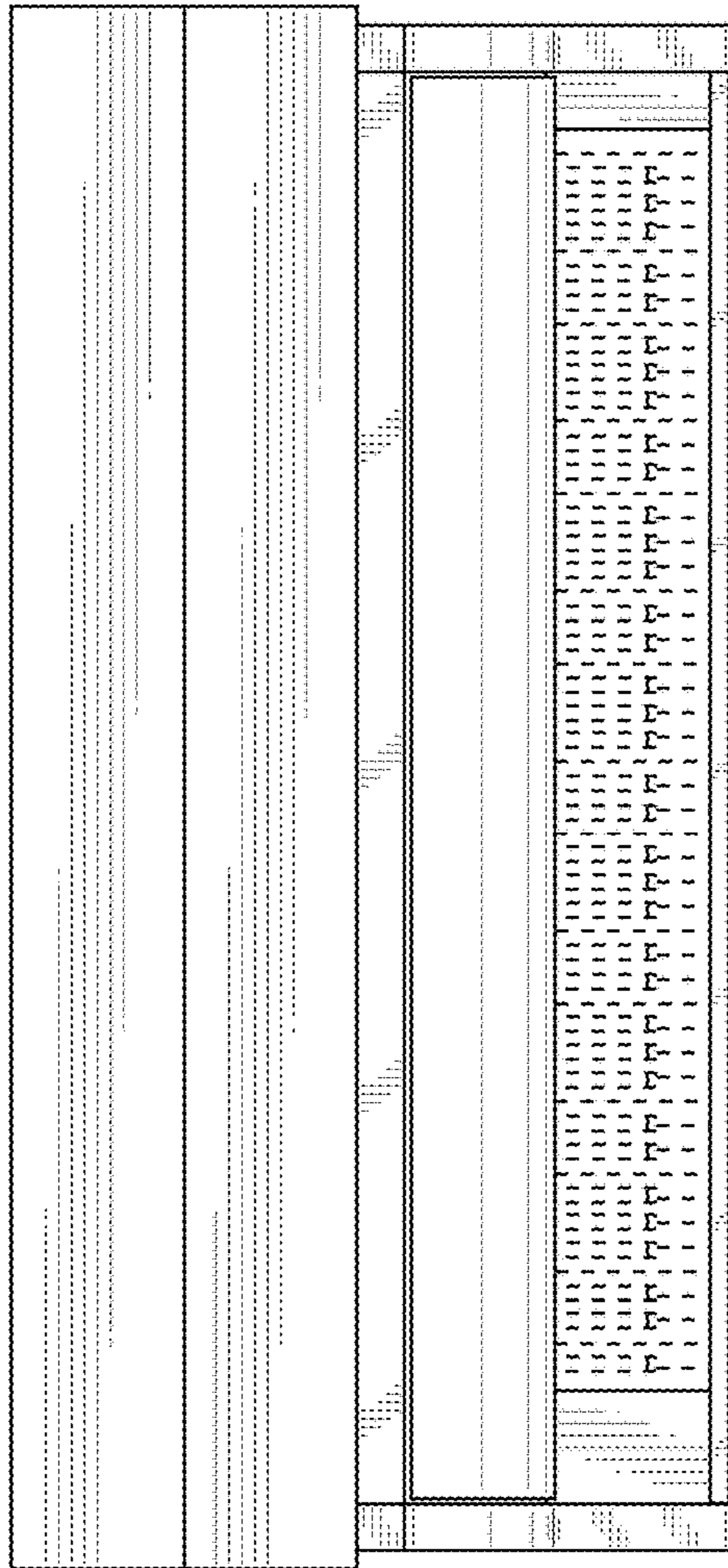
**FIG. 4**



**FIG. 5**

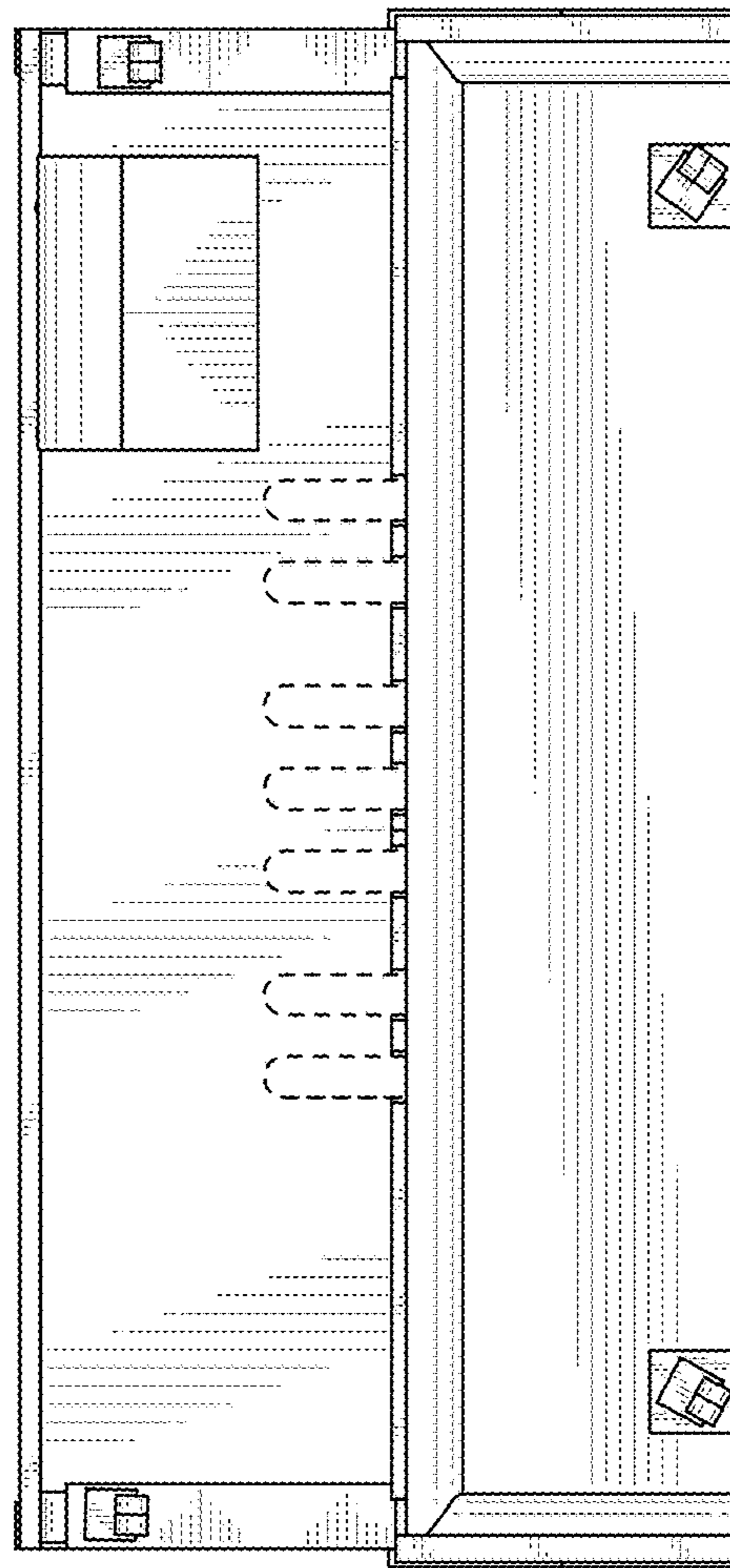


**FIG. 6**



**FIG. 7**





**FIG. 8**