



US00D849827S

(12) **United States Design Patent**
Liu et al.

(10) **Patent No.:** **US D849,827 S**

(45) **Date of Patent:** **** May 28, 2019**

(54) **UPRIGHT PIANO**

(71) Applicant: **FINDPIANO INFORMATION TECHNOLOGY (SHANGHAI) CO., LTD.**, Shanghai (CN)

(72) Inventors: **Xiaolu Liu**, Shanghai (CN); **Kevin Patrick Burke**, Shanghai (CN)

(73) Assignee: **SUNLAND INFORMATION TECHNOLOGY CO., LTD.**, Shanghai (CN)

(**) Term: **15 Years**

(21) Appl. No.: **29/622,515**

(22) Filed: **Oct. 17, 2017**

(51) **LOC (11) Cl.** **17-01**

(52) **U.S. Cl.**
USPC **D17/7**

(58) **Field of Classification Search**
USPC D17/1, 2, 5, 7, 8, 99; D21/405, 409, 586
CPC ... G10C 1/00; G10C 1/02; G10C 3/00; G10C 3/02; G10C 3/04; G10C 3/16
See application file for complete search history.

(56) **References Cited**

U.S. PATENT DOCUMENTS

D45,729 S * 5/1914 Smith D21/409
D98,104 S * 1/1936 Zaiser D17/7
D100,278 S * 7/1936 Metcalf D17/2
2,081,704 A * 5/1937 Heller G10C 1/00
84/174

(Continued)

FOREIGN PATENT DOCUMENTS

CN 201530548251 * 12/2015
DE 19722400 A1 * 12/1997 E05F 3/14

OTHER PUBLICATIONS

Find Piano, Product page, webarchive Jun. 15, 2017, [online], [site visited Aug. 29, 2018]. Available from Internet, <URL: https://web.

archive.org/web/20170615221840/http://www.findpiano.cn/product.html> (Year: 2017).*

Primary Examiner — Sheryl Lane

Assistant Examiner — Samantha N Wood

(74) *Attorney, Agent, or Firm* — Metis IP LLC

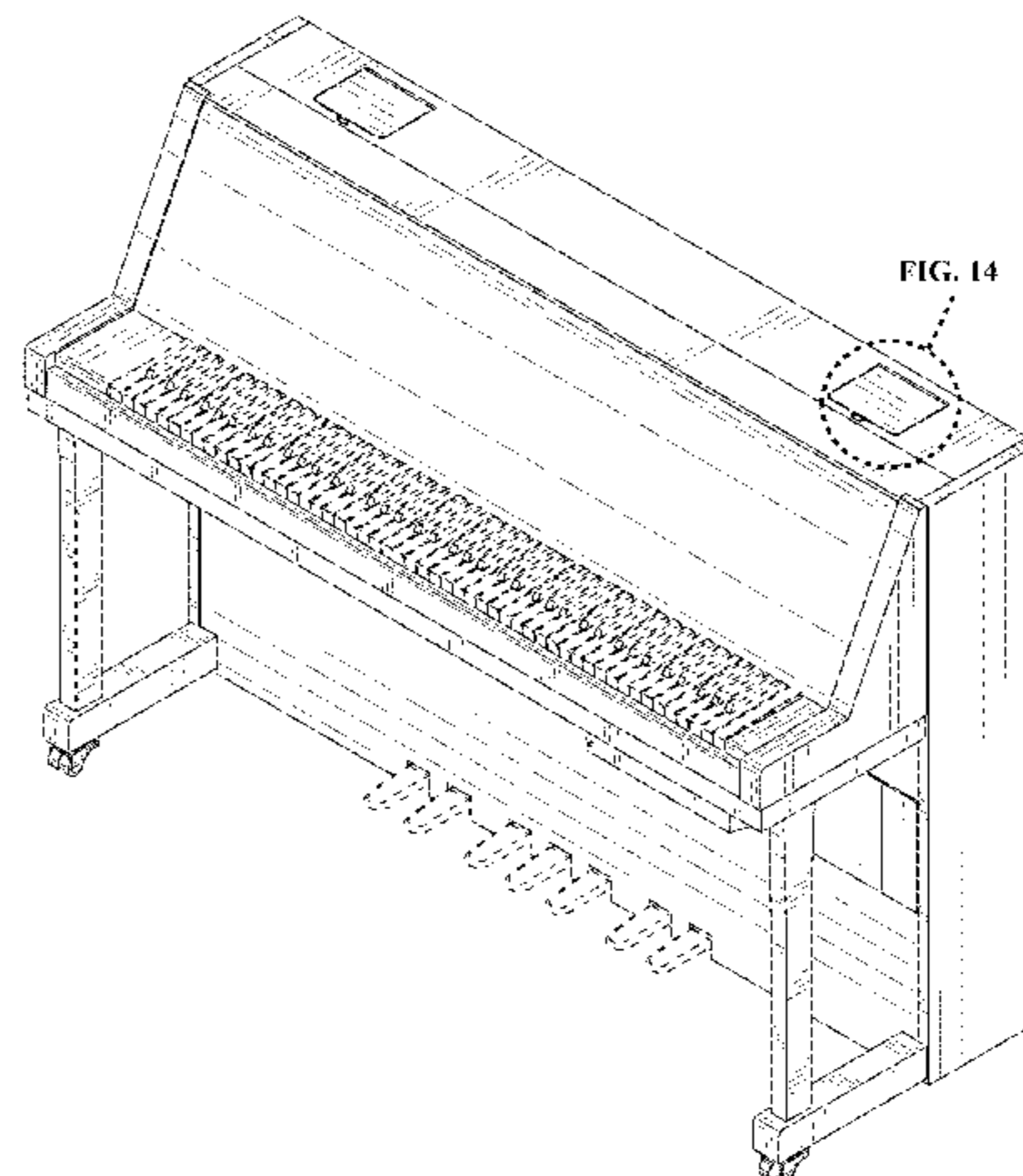
(57) **CLAIM**

The ornamental design for an upright piano, as shown and described.

DESCRIPTION

FIG. 1 is a perspective view of an upright piano showing our new design;
FIG. 2 is a top view thereof; and
FIG. 3 is a bottom view thereof.
FIG. 4 is a left view thereof;
FIG. 5 is a right view thereof;
FIG. 6 is a front view thereof;
FIG. 7 is a rear view thereof;
FIG. 8 is a perspective view thereof with two tweeter reflectors in an open state;
FIG. 9 is a top view thereof with two tweeter reflectors in an open state;
FIG. 10 is a left view thereof with two tweeter reflectors in an open state;
FIG. 11 is a right view thereof with two tweeter reflectors in an open state;
FIG. 12 is a front view thereof with two tweeter reflectors in an open state;
FIG. 13 is a rear view thereof with two tweeter reflectors in an open state;
FIG. 14 is an enlarged view of an indicated portion of FIG. 1 with two tweeter reflectors in an open state; and,
FIG. 15 is an enlarged view of an indicated portion of FIG. 8 with two tweeter reflectors in an open state.
The broken lines are included for the purpose of illustrating portions of the upright piano and form no part of the claimed design.

1 Claim, 15 Drawing Sheets



(56)

References Cited

U.S. PATENT DOCUMENTS

D143,501 S * 1/1946 Nields 84/177
3,248,989 A * 5/1966 Schroth G10C 3/02
84/177
D236,027 S * 7/1975 Terrell D14/168
D481,065 S * 10/2003 Sato D17/7
D488,184 S * 4/2004 Ohno D17/7

* cited by examiner

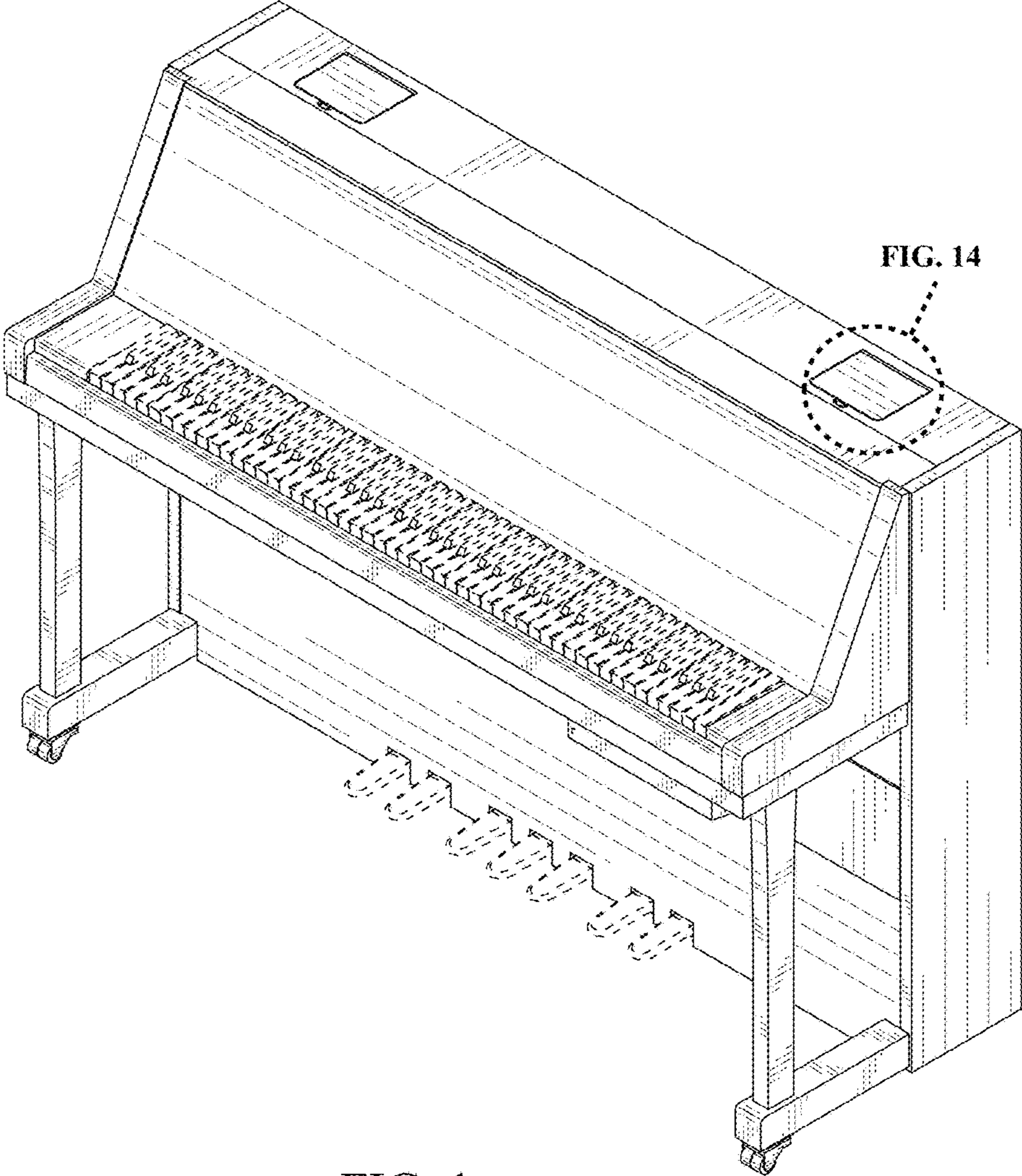


FIG. 1

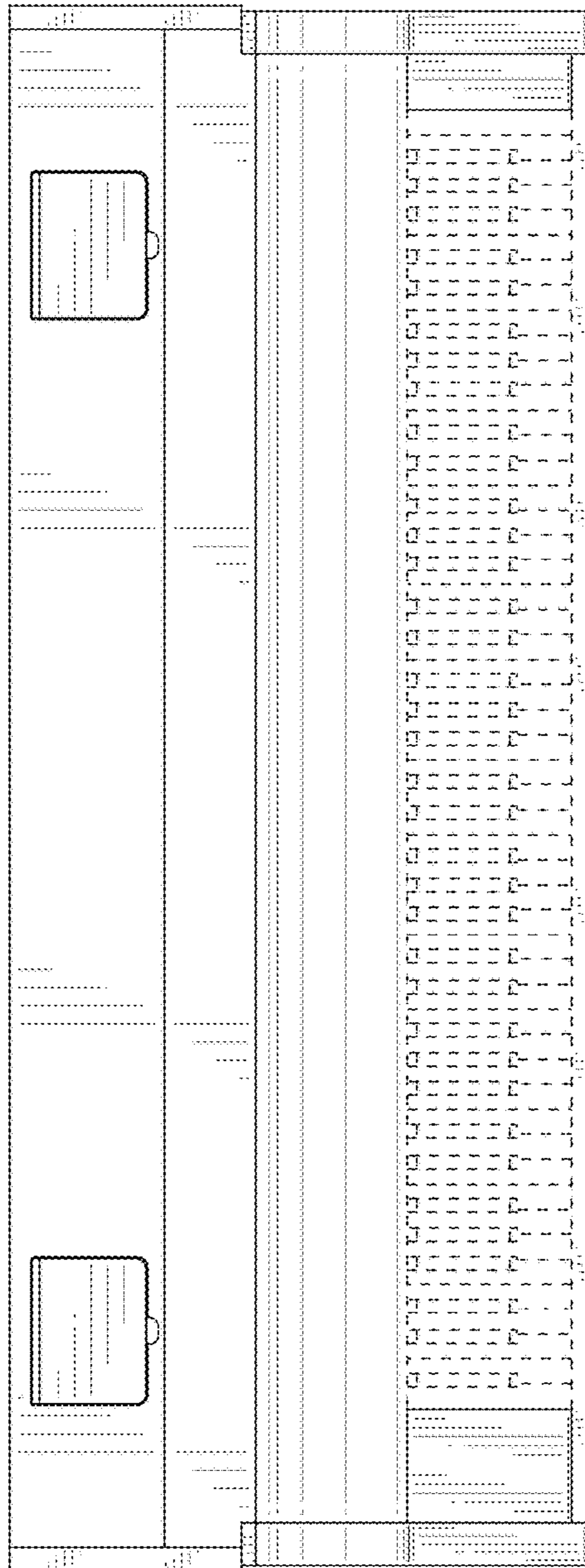


FIG. 2

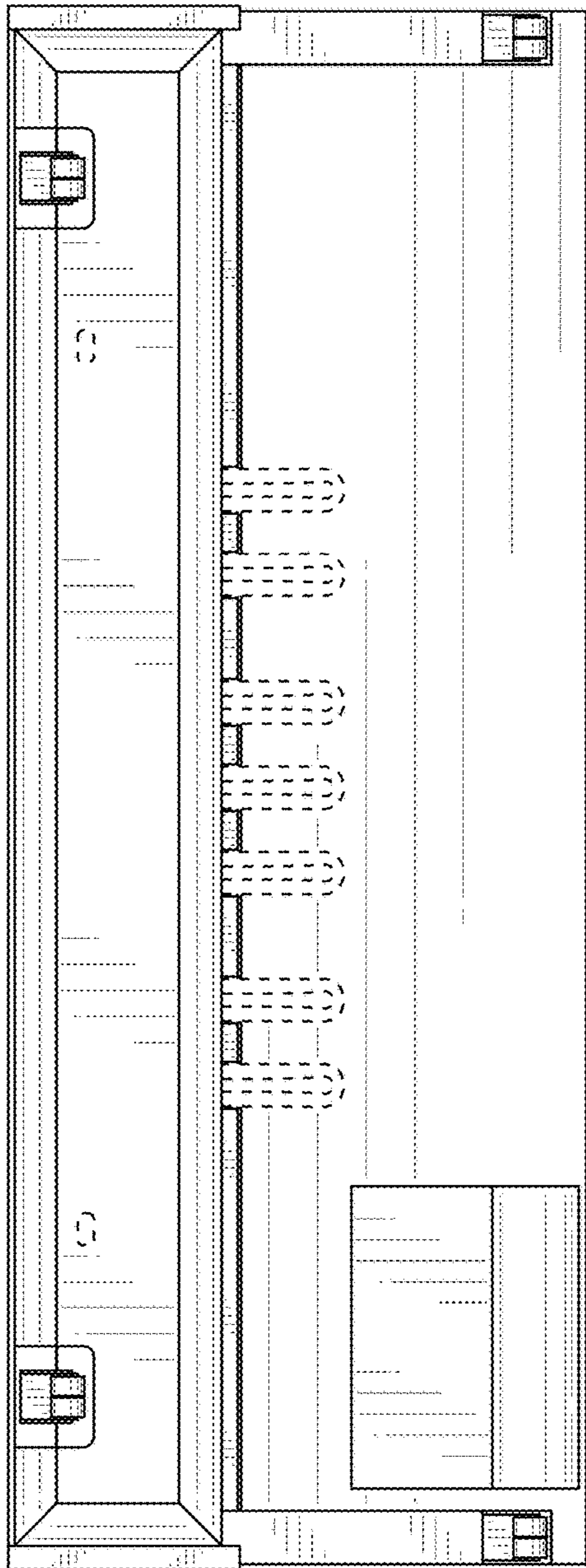


FIG. 3

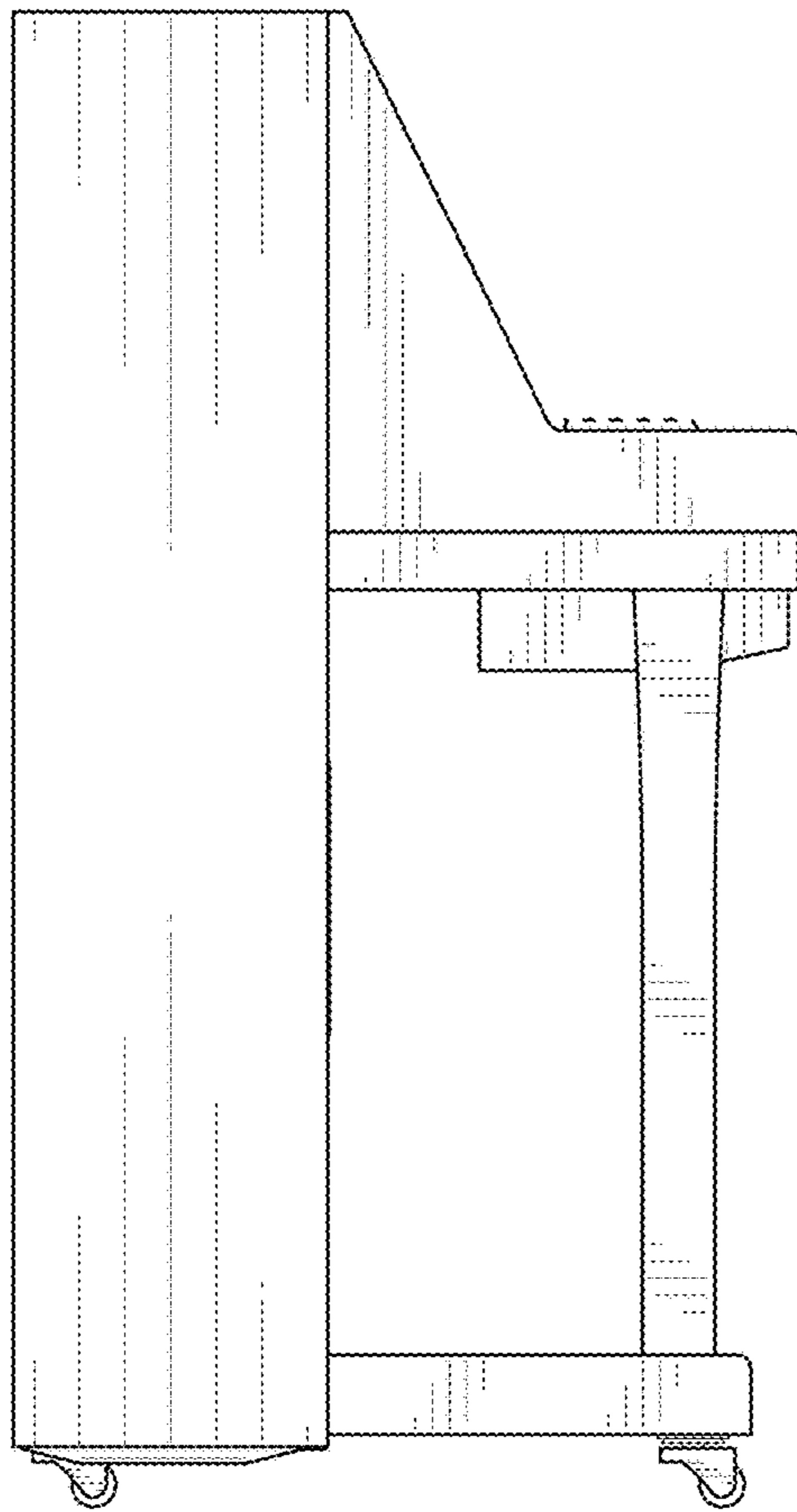


FIG. 4

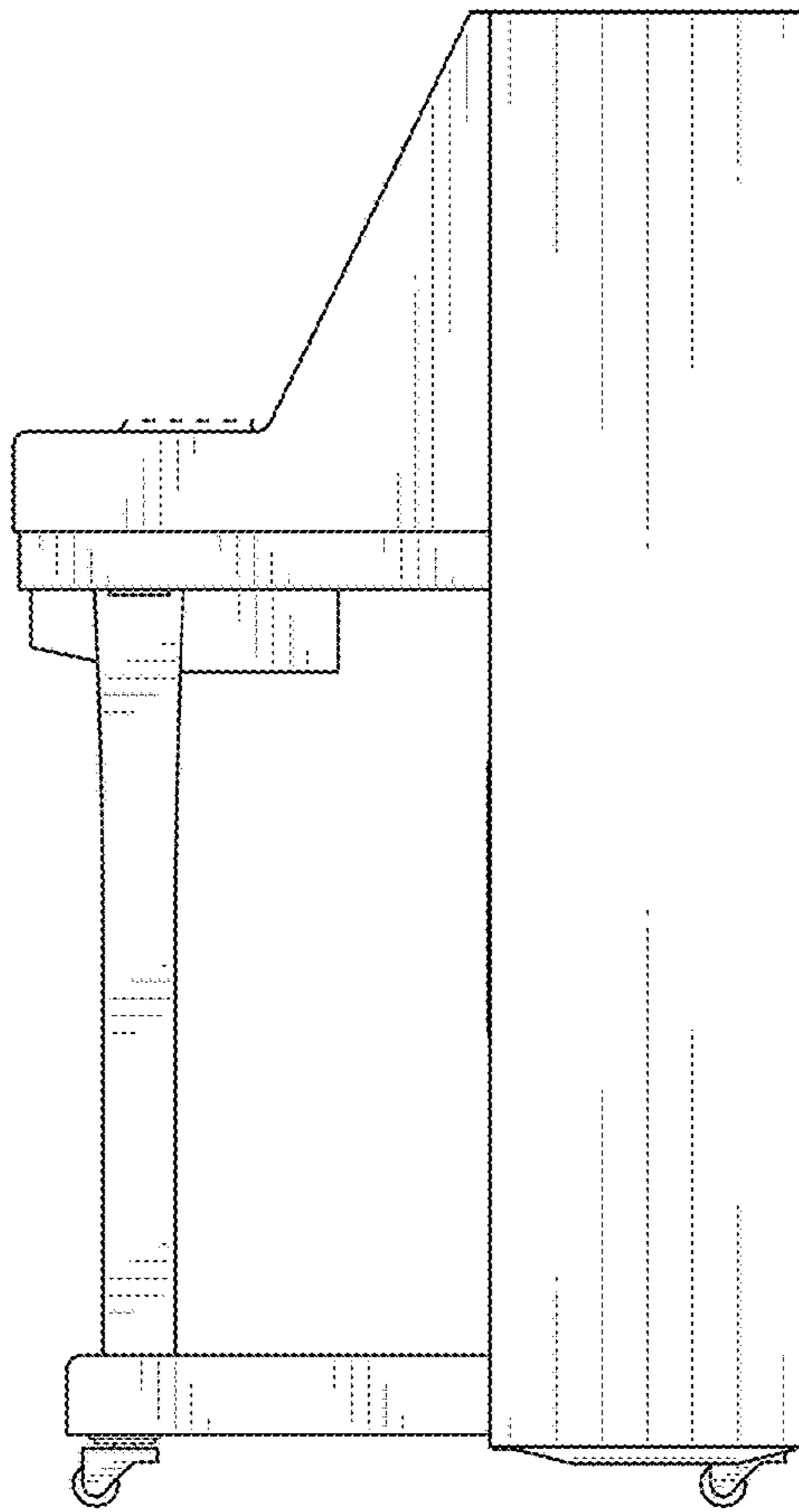


FIG. 5

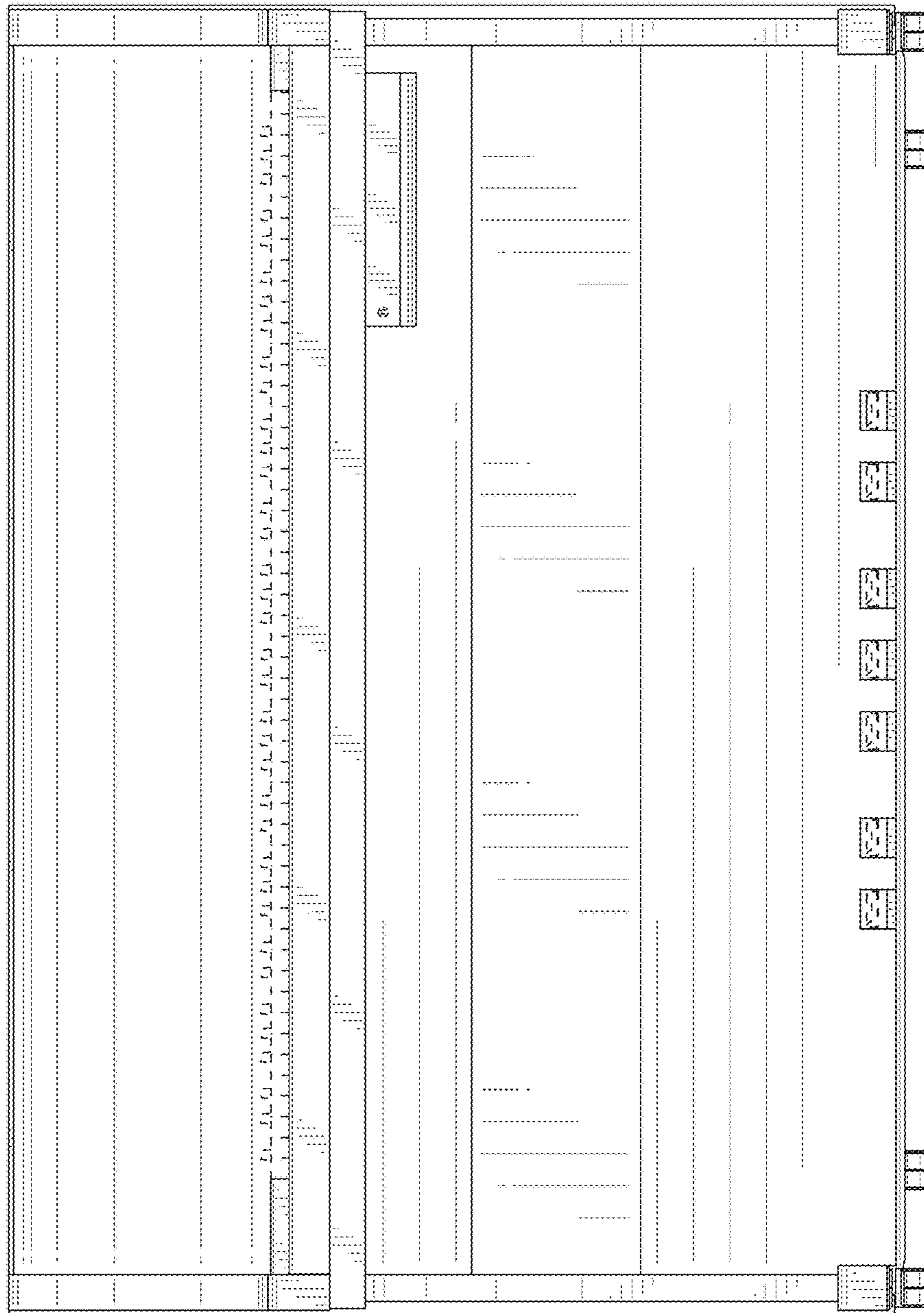


FIG. 6

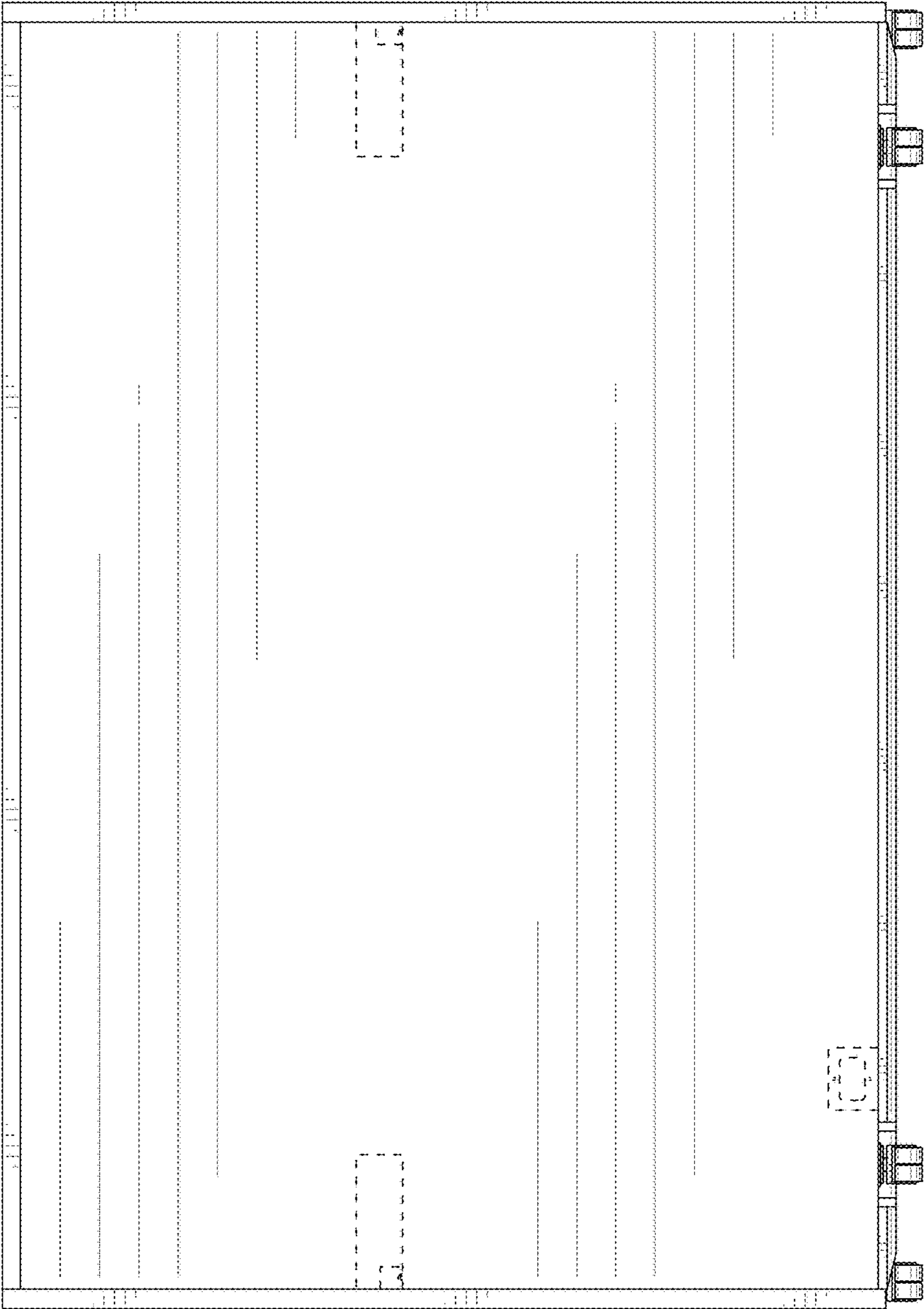


FIG. 7

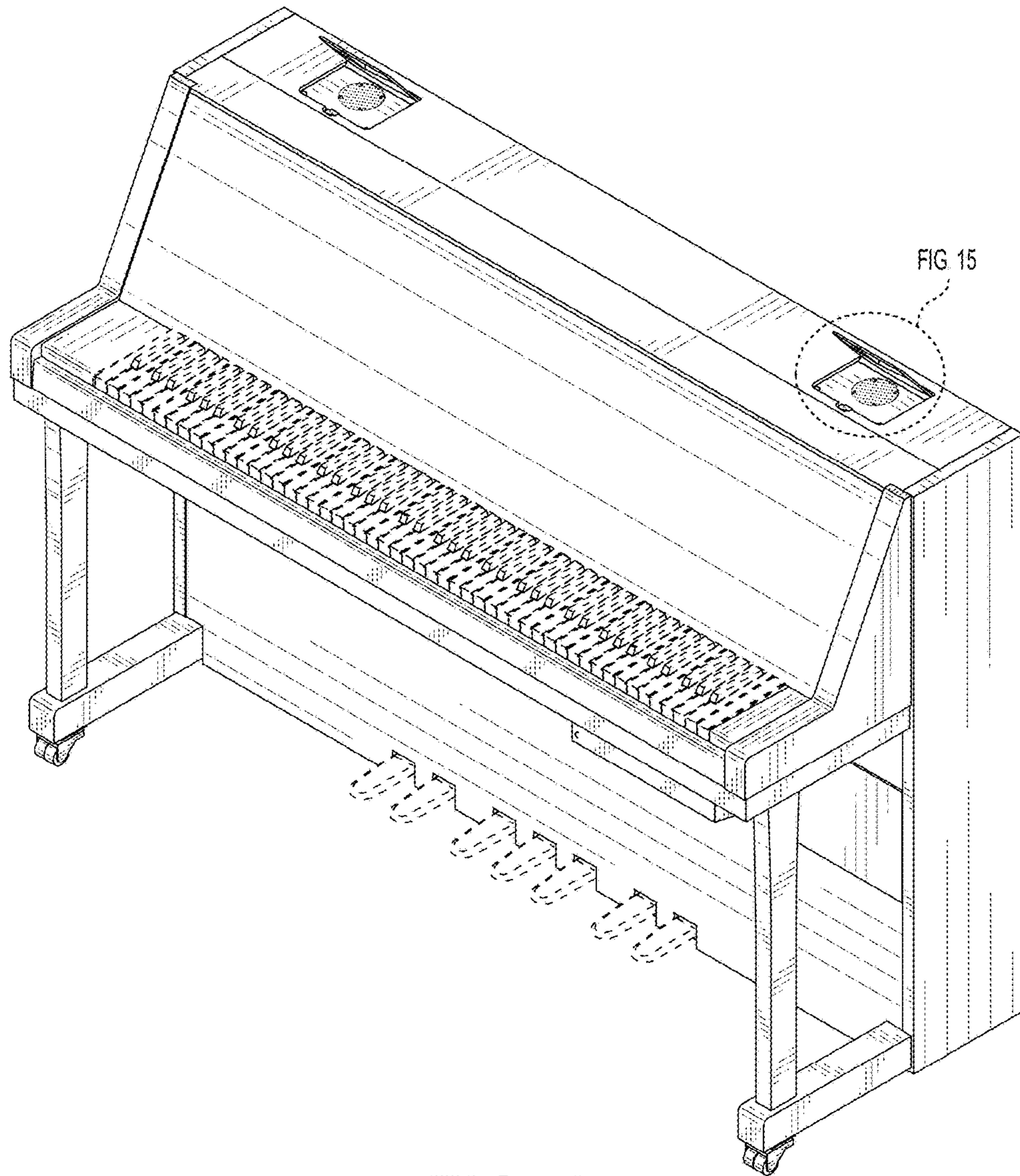


FIG. 8

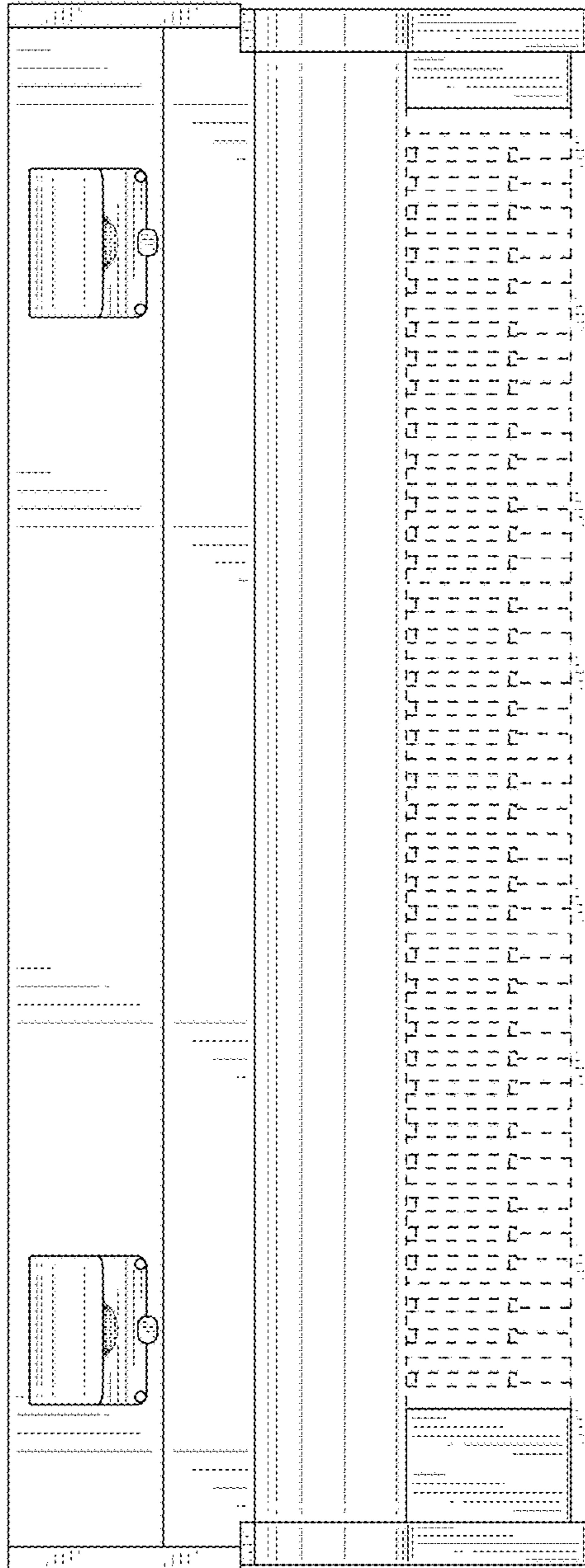


FIG. 9

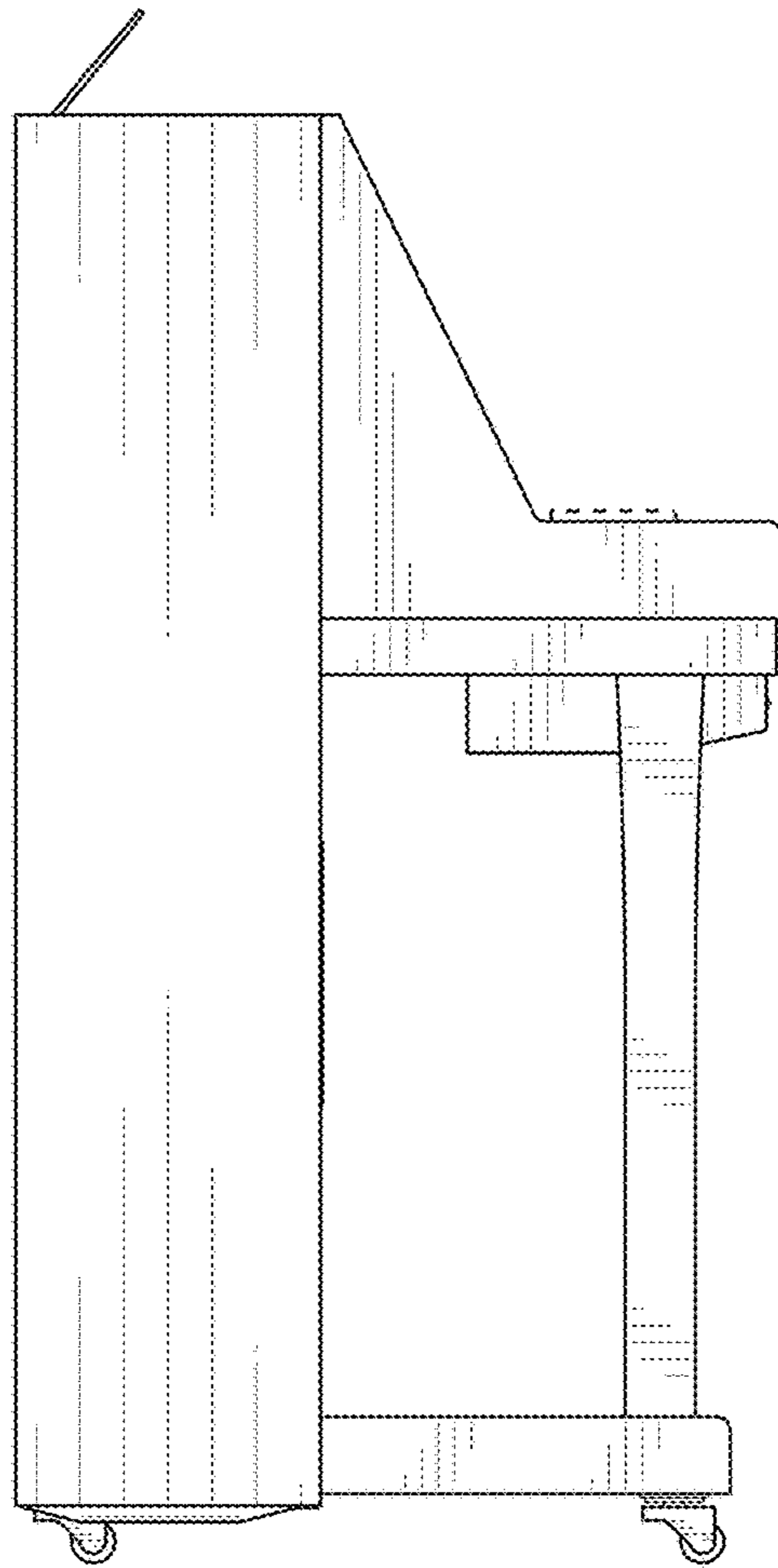


FIG. 10

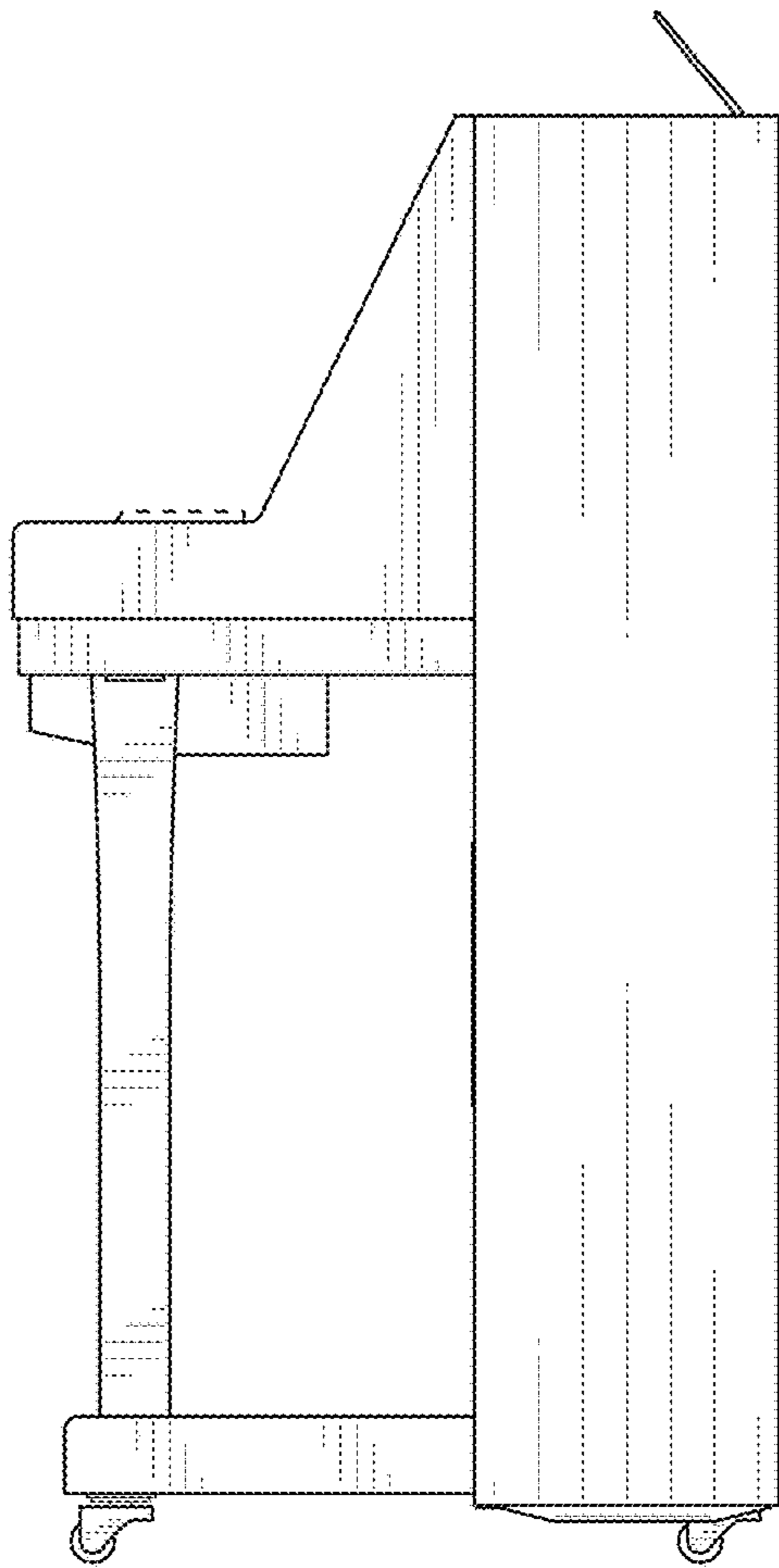


FIG. 11



FIG. 12

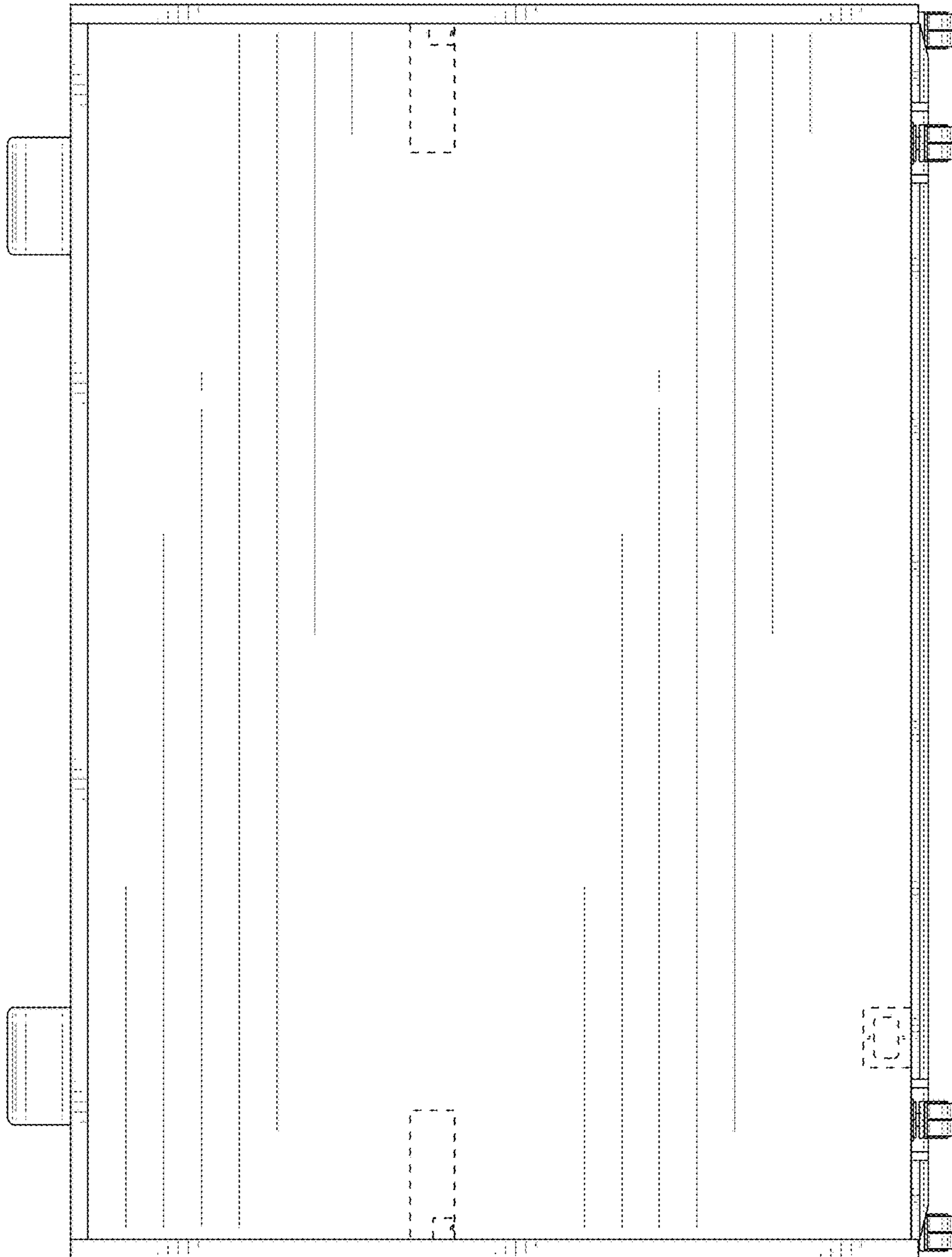


FIG. 13

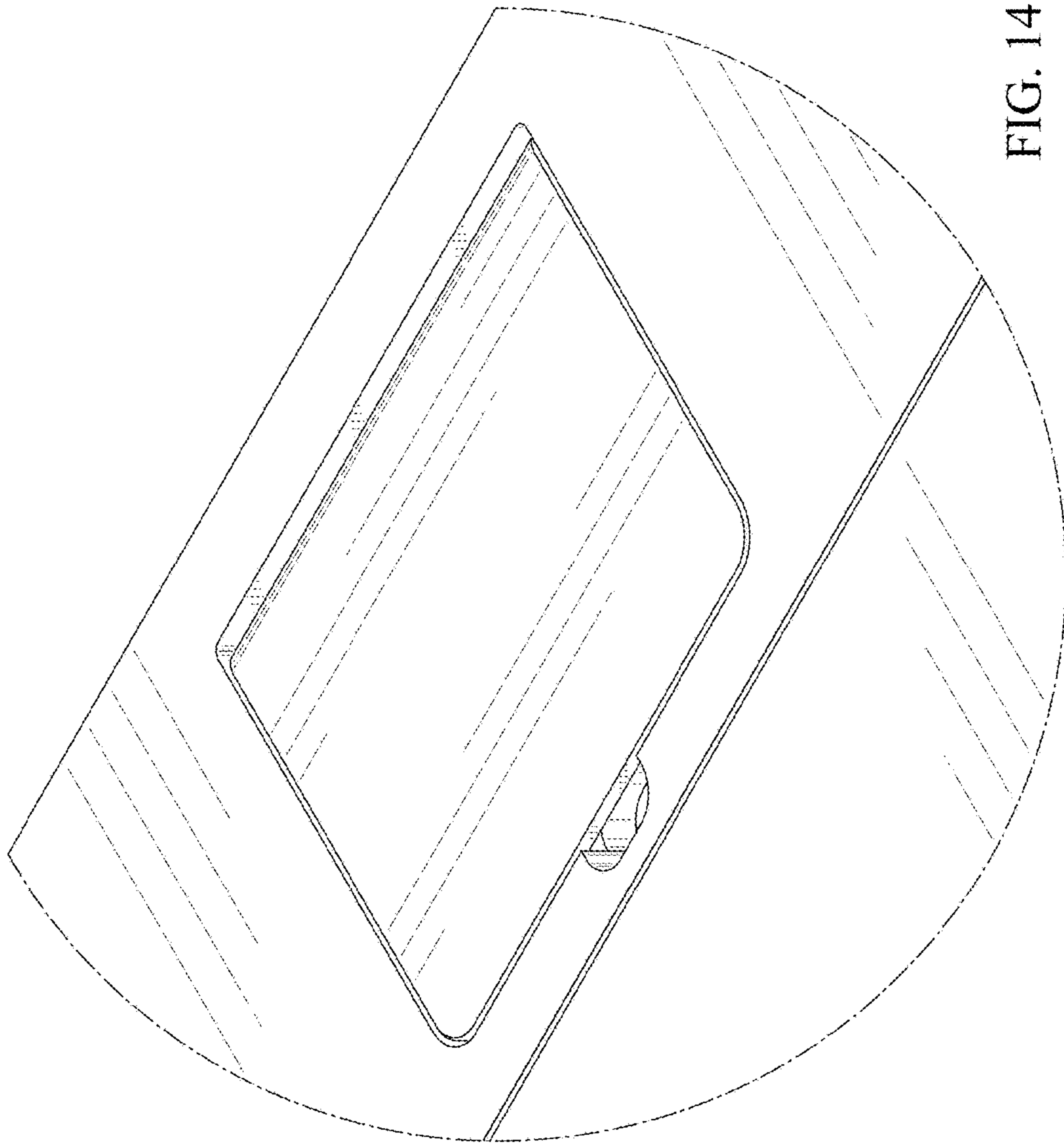


FIG. 14

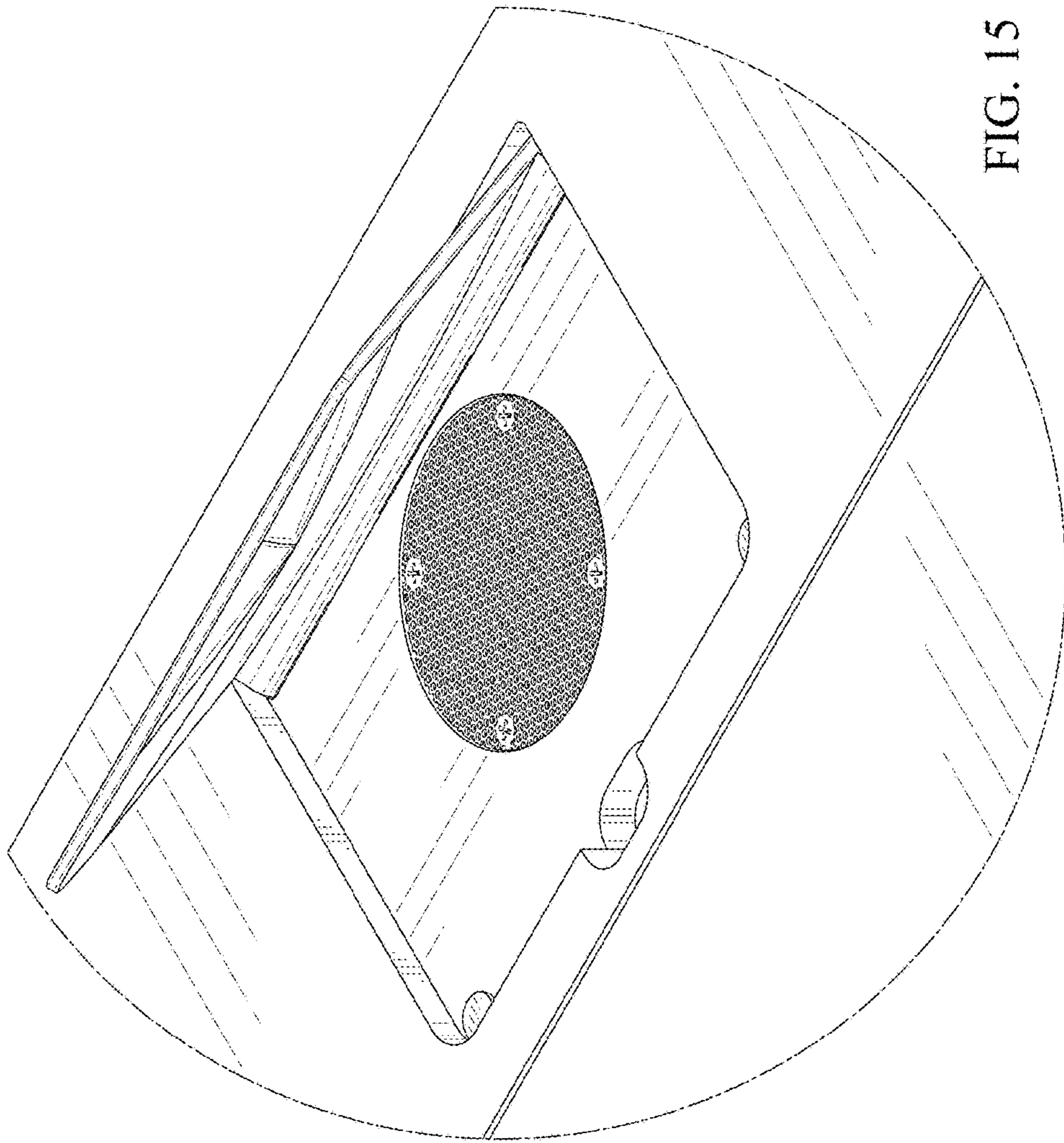


FIG. 15