



US00D849821S

(12) **United States Design Patent**  
**England et al.**

(10) **Patent No.:** **US D849,821 S**

(45) **Date of Patent:** **\*\* May 28, 2019**

(54) **ANGLED ADAPTER**

(71) Applicant: **A9.com, Inc.**, Palo Alto, CA (US)

(72) Inventors: **Matthew J. England**, Santa Monica, CA (US); **Mark Siminoff**, Mountain View, CA (US)

(73) Assignee: **A9.com, Inc.**, Palo Alto, CA (US)

(\*\*) Term: **15 Years**

(21) Appl. No.: **29/618,707**

(22) Filed: **Sep. 22, 2017**

(51) **LOC (11) Cl.** ..... **16-05**

(52) **U.S. Cl.**  
USPC ..... **D16/242**

(58) **Field of Classification Search**  
USPC ..... D23/259, 262-265; D8/349, 396, 354, D8/382, 387, 394-395, 499; D13/149; 138/109, 158-159, 169; 285/179, 285.1, 285/286.1, 291.2; 279/43.1, 43.5, 46.5, 279/4.07; D14/452; D16/203, 219, 240, D16/242, 245; 248/188.4, 288.11, 583, 248/629

CPC .... H01R 13/40; H01R 13/58; H01R 13/2516; H01R 13/6392; E03C 1/24; F16L 17/04; F16L 17/025; F16L 17/035; F16L 57/06; F16L 27/08; F16L 27/0804; G03B 17/00; H04N 5/225

See application file for complete search history.

(56) **References Cited**

**U.S. PATENT DOCUMENTS**

2,777,714 A \* 1/1957 Lamphere ..... F16L 27/0804  
285/179  
D357,061 S \* 4/1995 Gifford ..... D23/263

D563,530 S \* 3/2008 Moris ..... D23/264  
D638,919 S \* 5/2011 Grether ..... D23/264  
D705,402 S \* 5/2014 Yu ..... D23/262  
D744,071 S \* 11/2015 Natoli ..... D23/262  
D749,704 S \* 2/2016 Taguchi ..... D23/259  
D764,029 S \* 8/2016 Yovanovich ..... D23/259  
D767,105 S \* 9/2016 Richards ..... D23/263  
D816,616 S \* 5/2018 Corona ..... D13/146  
D819,789 S \* 6/2018 Sith ..... D23/263  
D831,173 S \* 10/2018 Lee ..... D23/262  
D831,797 S \* 10/2018 Lee ..... D23/263  
D832,985 S \* 11/2018 Lee ..... D23/263  
2013/0200609 A1 \* 8/2013 Dole ..... F16L 17/04  
285/132.1  
2014/0327238 A1 \* 11/2014 Bowman ..... F16L 17/04  
285/112

\* cited by examiner

*Primary Examiner* — Karen E Kearney

*Assistant Examiner* — Amy C Wierenga

(74) *Attorney, Agent, or Firm* — Greenberg Traurig, LLP

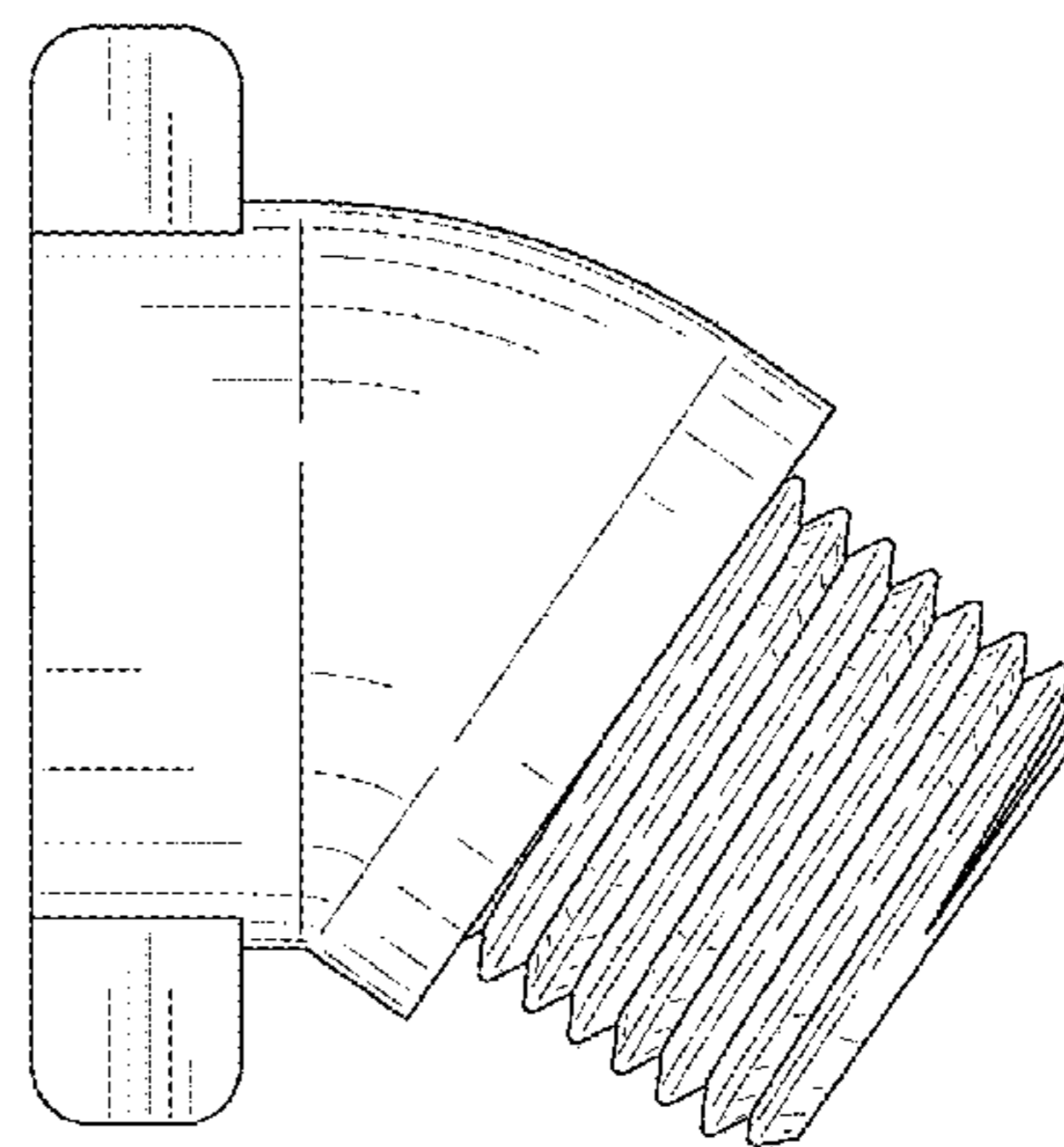
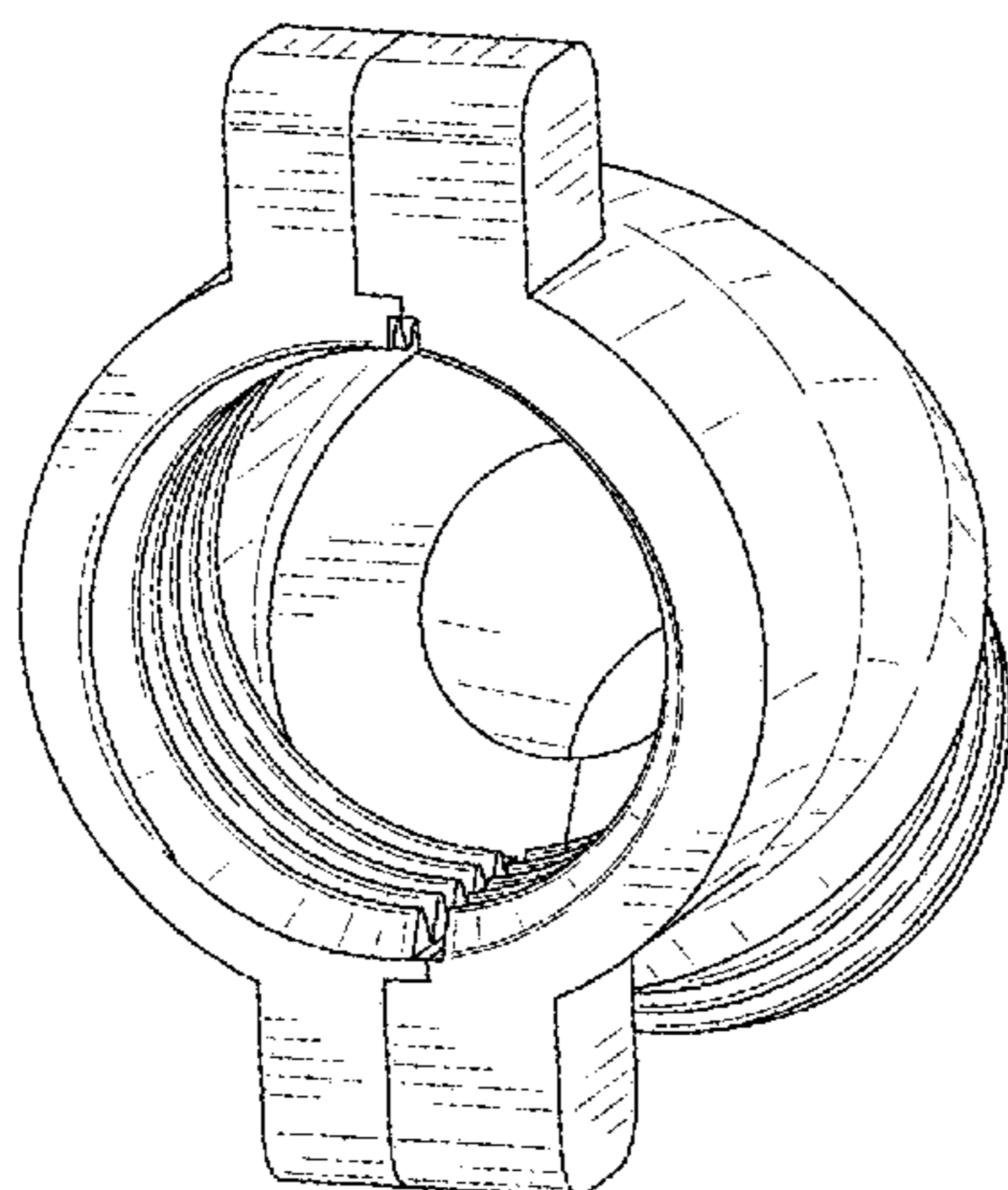
(57) **CLAIM**

We claim the ornamental design for an angled adapter, as shown and described.

**DESCRIPTION**

FIG. 1 is a front perspective view of our angled adapter; FIG. 2 is a rear perspective view thereof; FIG. 3 is a front view thereof; FIG. 4 is a rear view thereof; FIG. 5 is a left side view thereof; FIG. 6 is a right side view thereof; FIG. 7 is a top view thereof; and, FIG. 8 is a bottom view thereof.

**1 Claim, 4 Drawing Sheets**



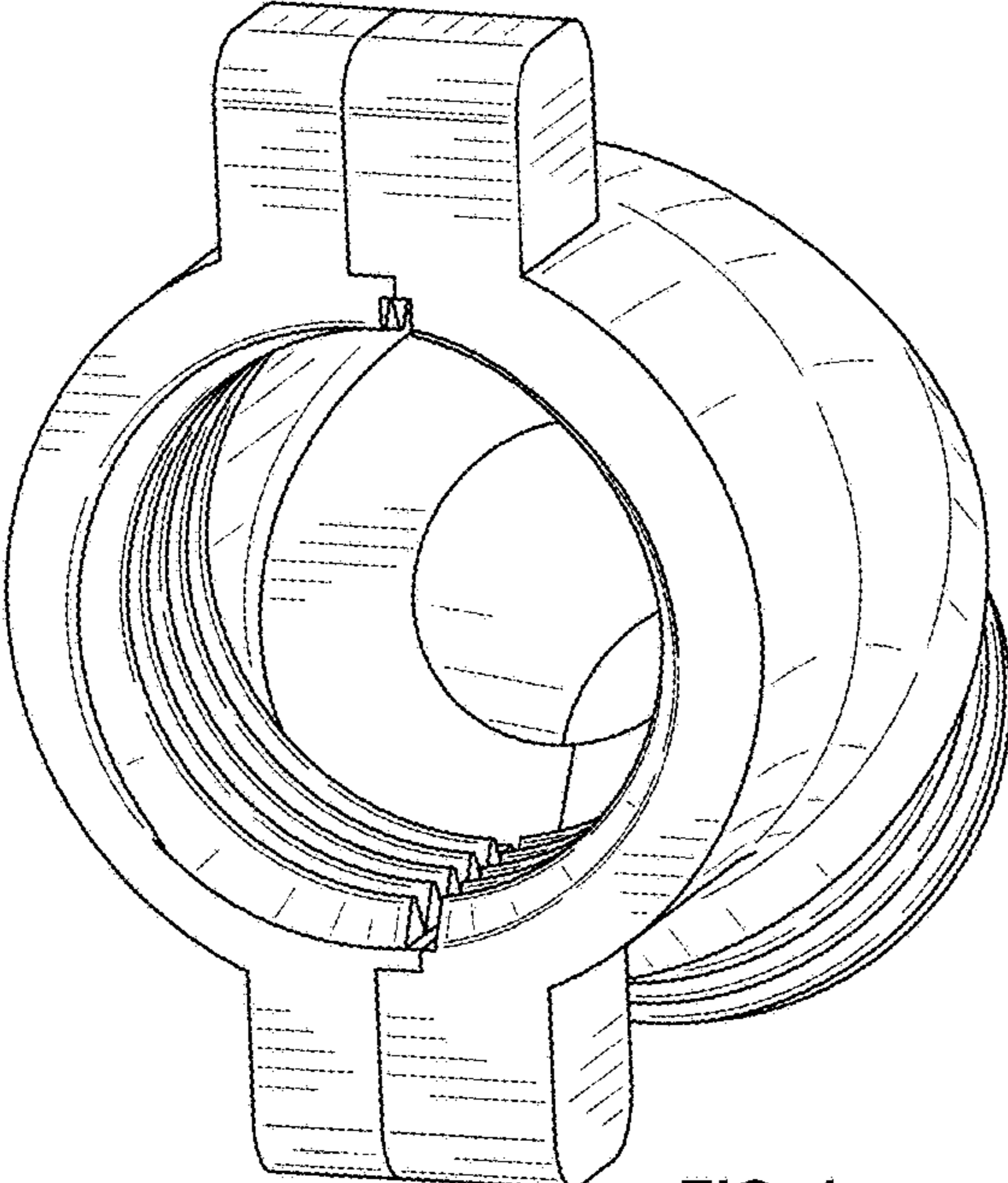


FIG. 1

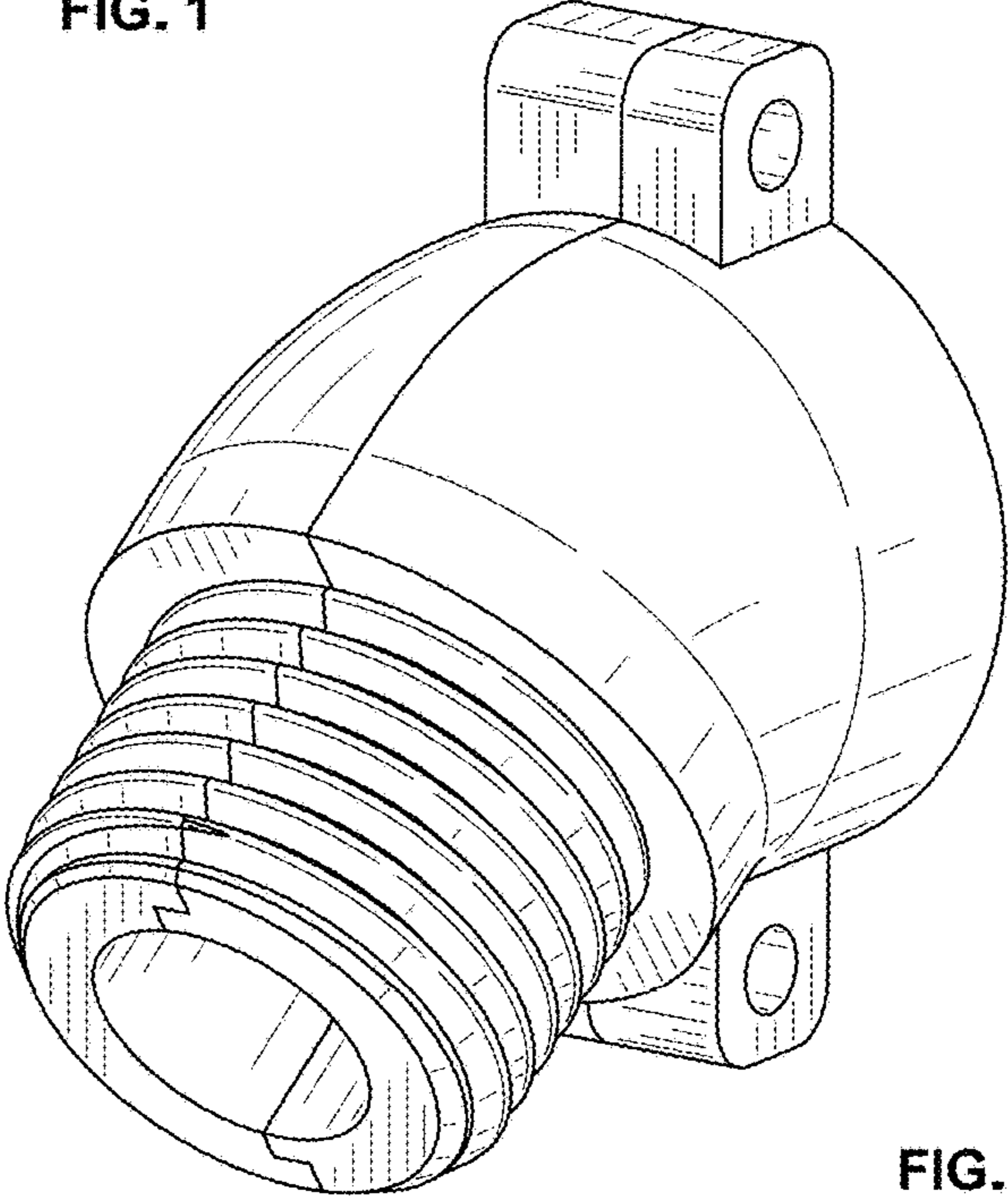


FIG. 2

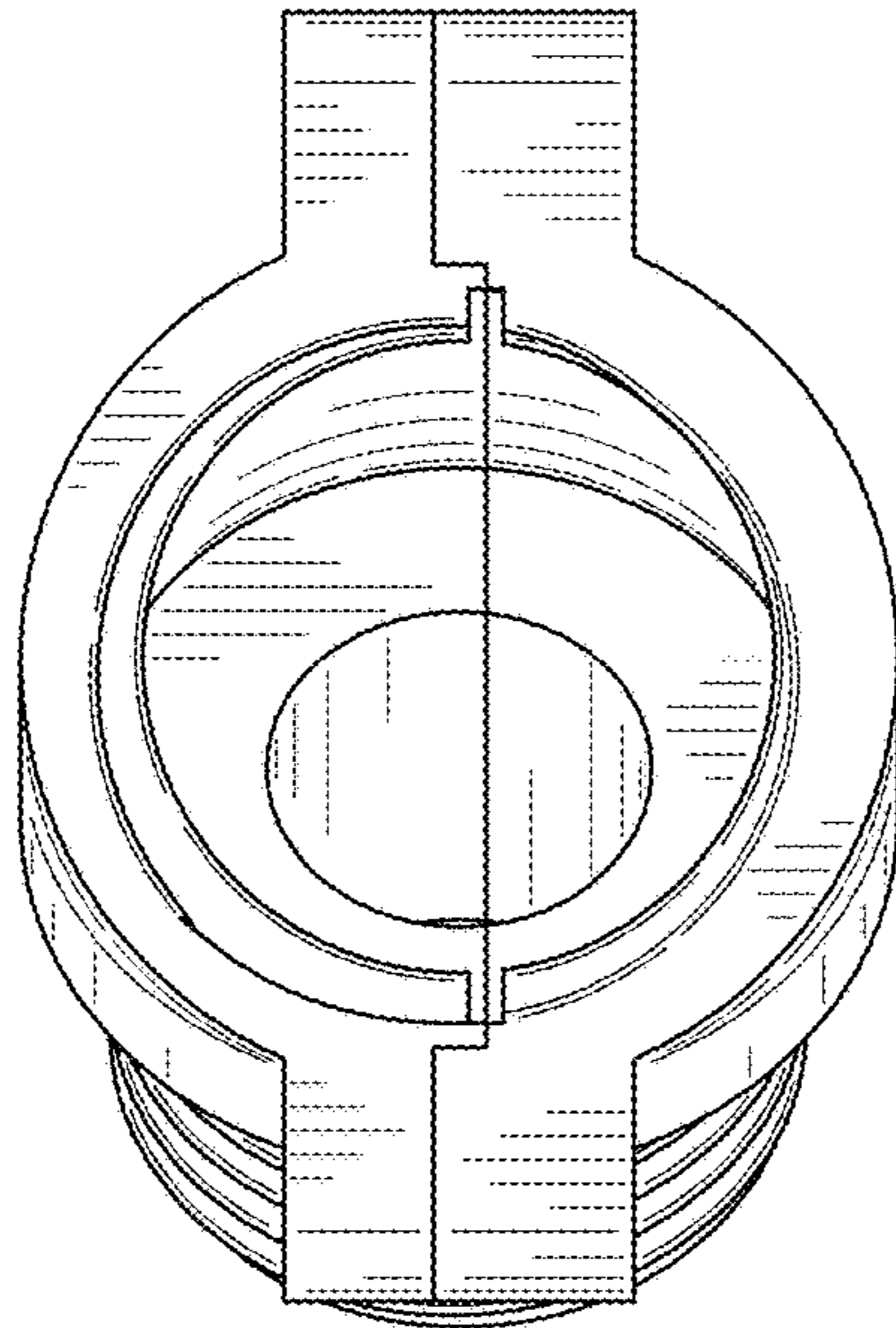


FIG. 3

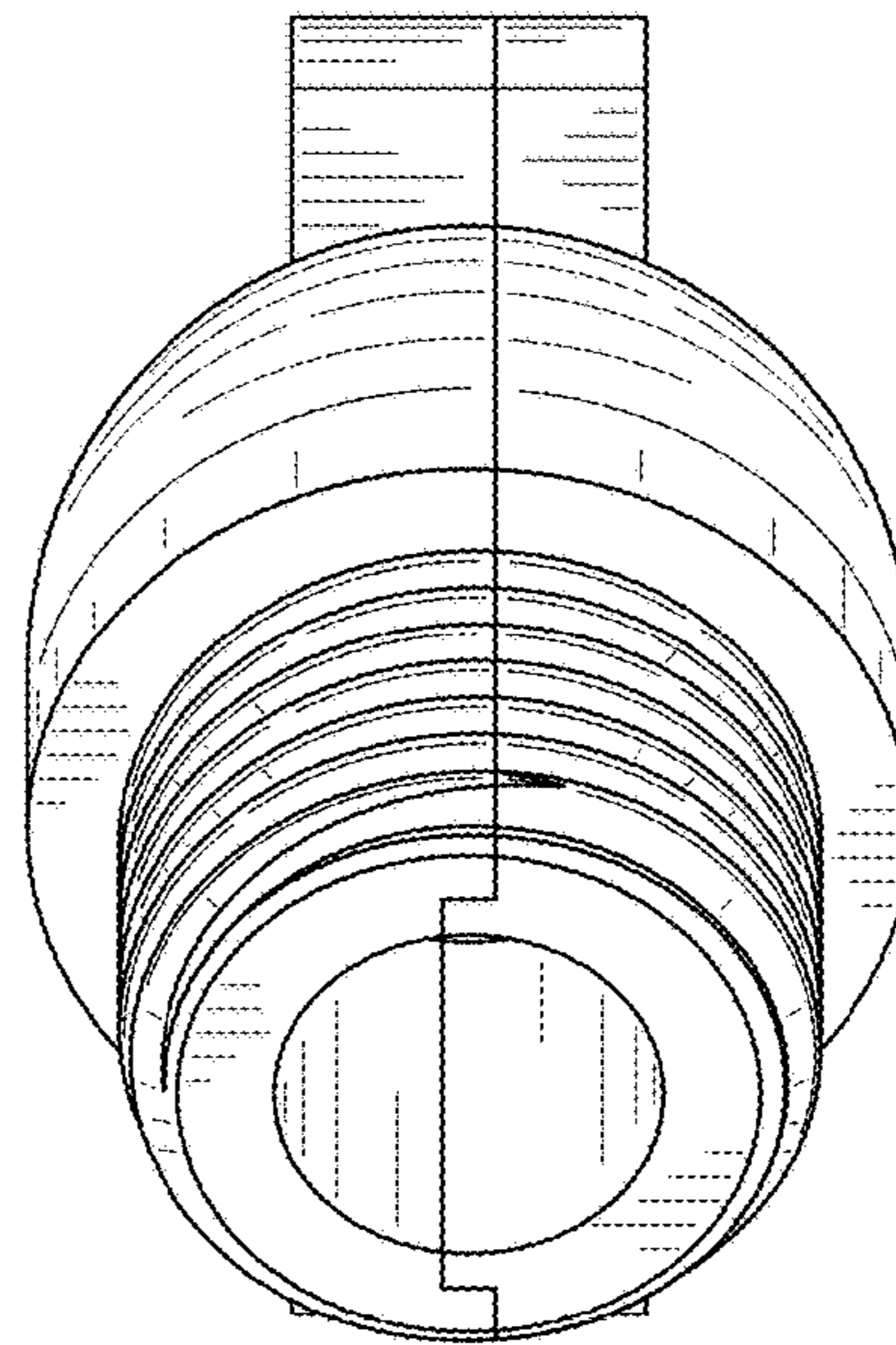


FIG. 4



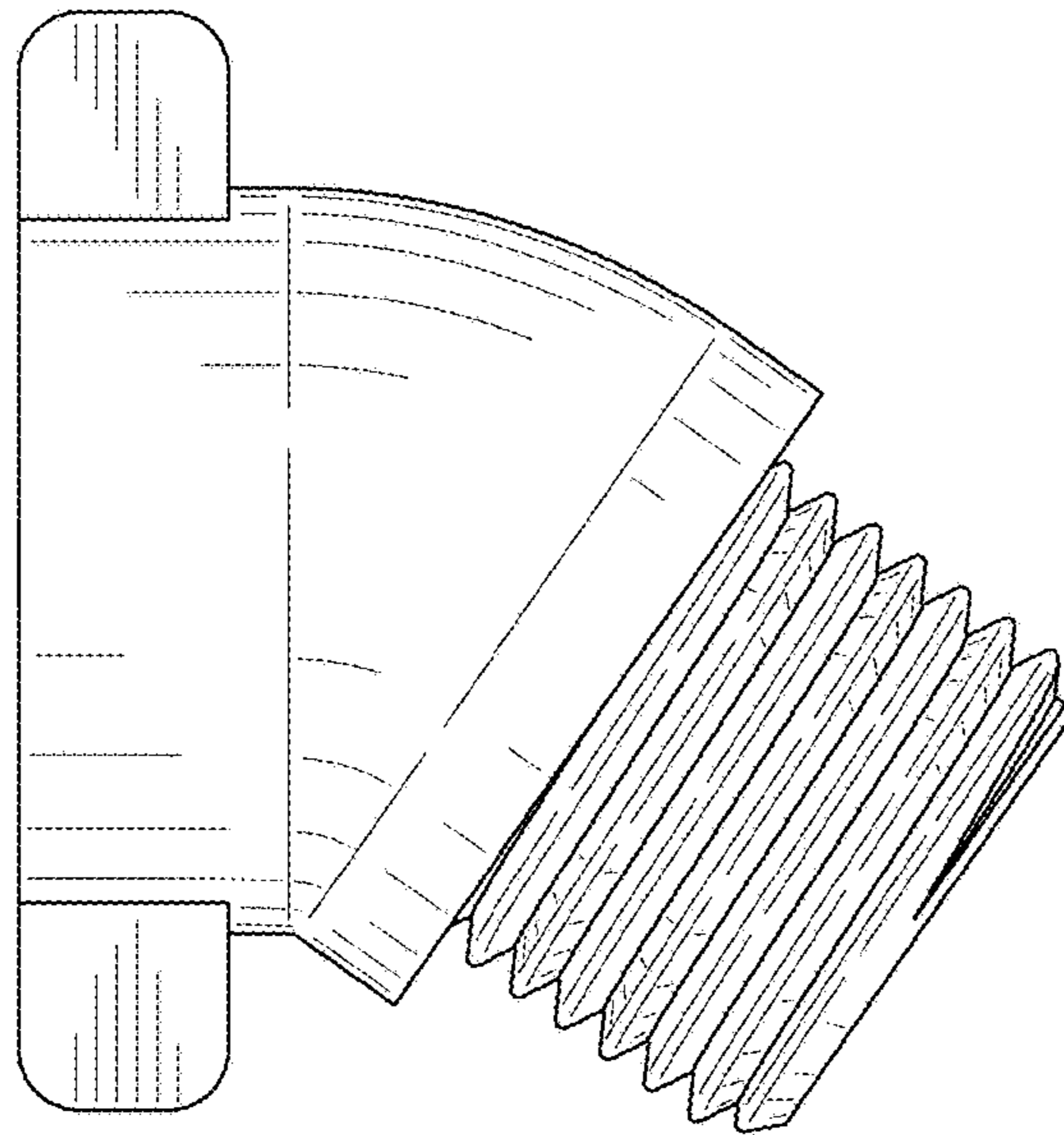


FIG. 5

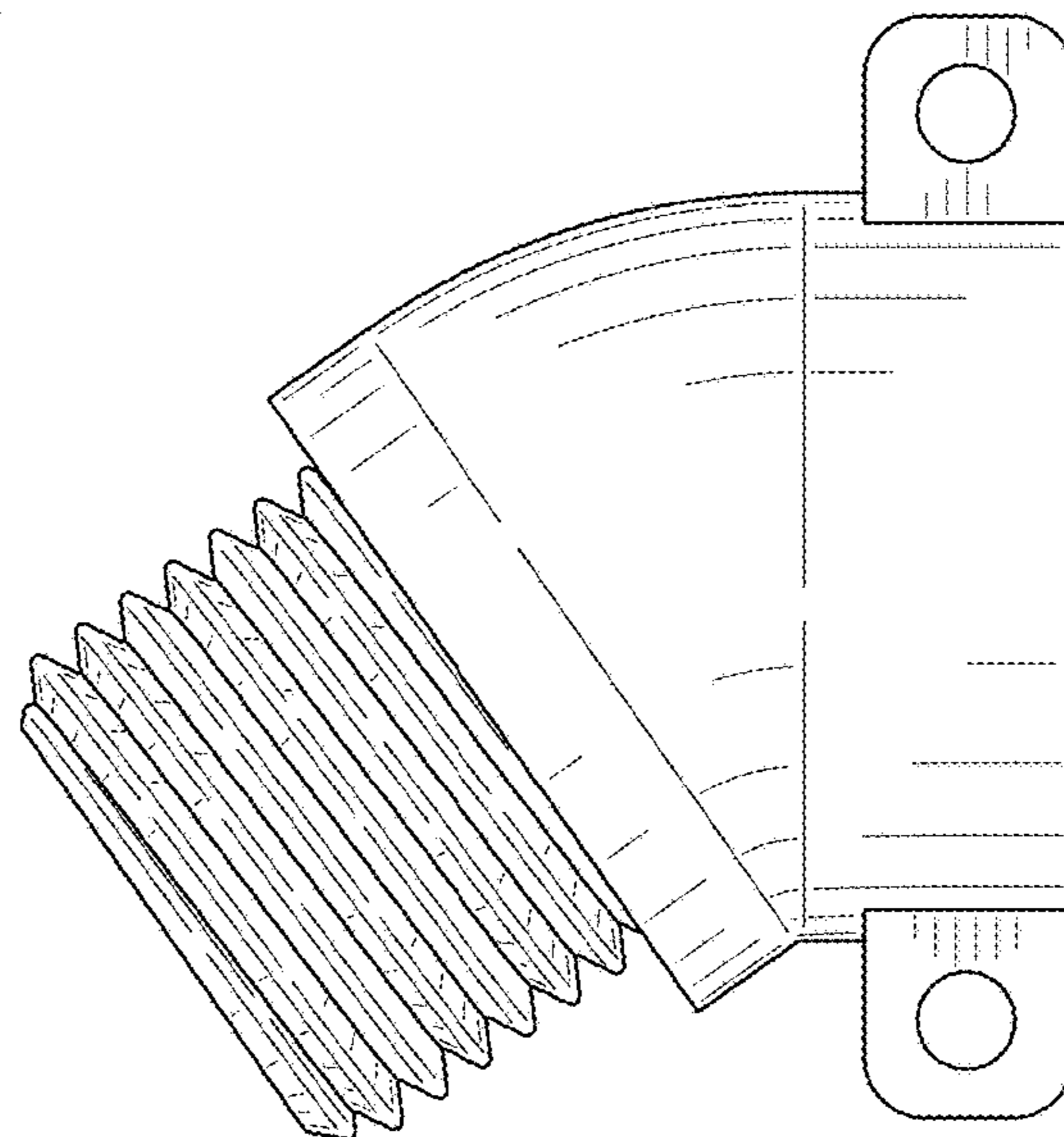


FIG. 6

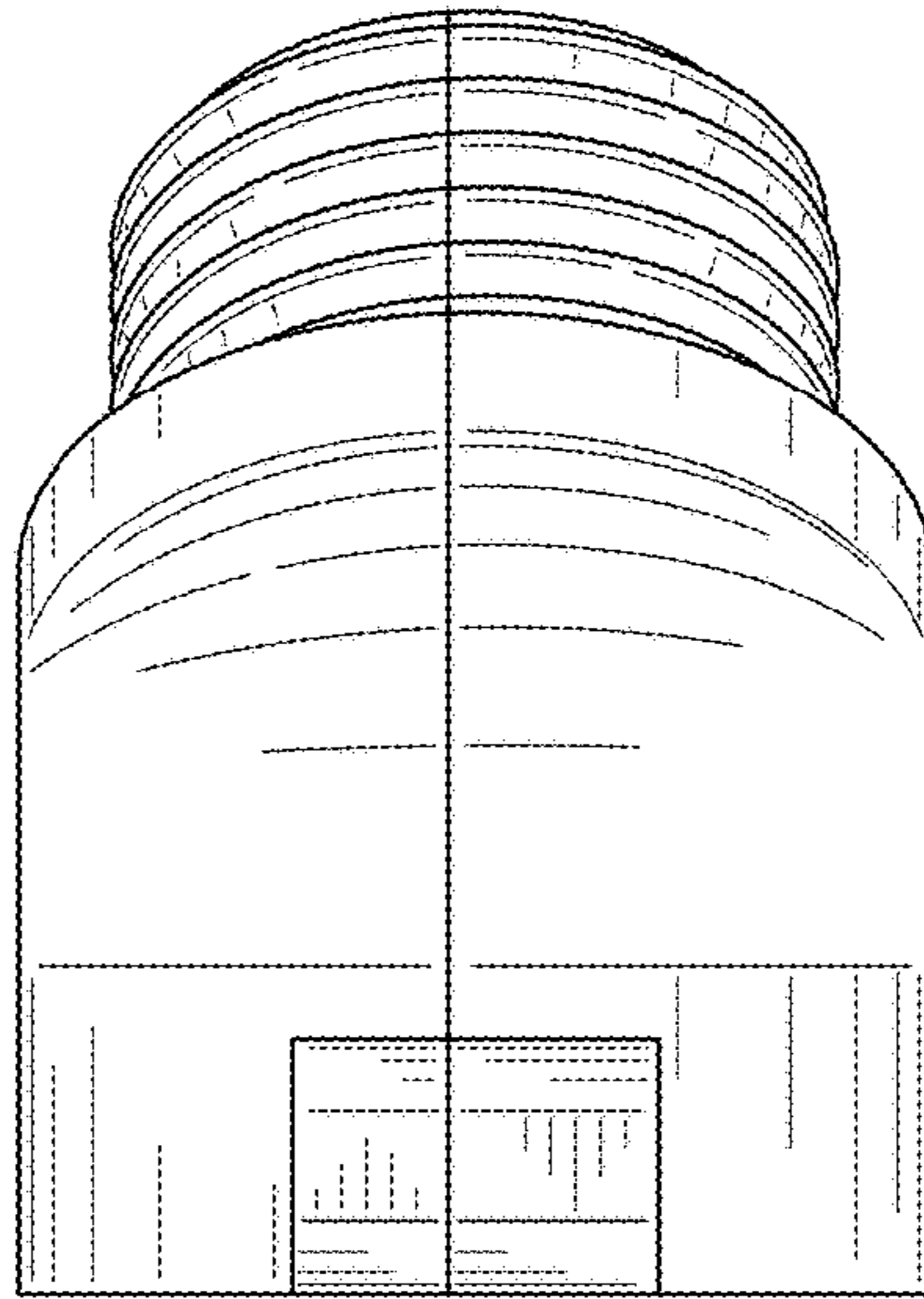


FIG. 7

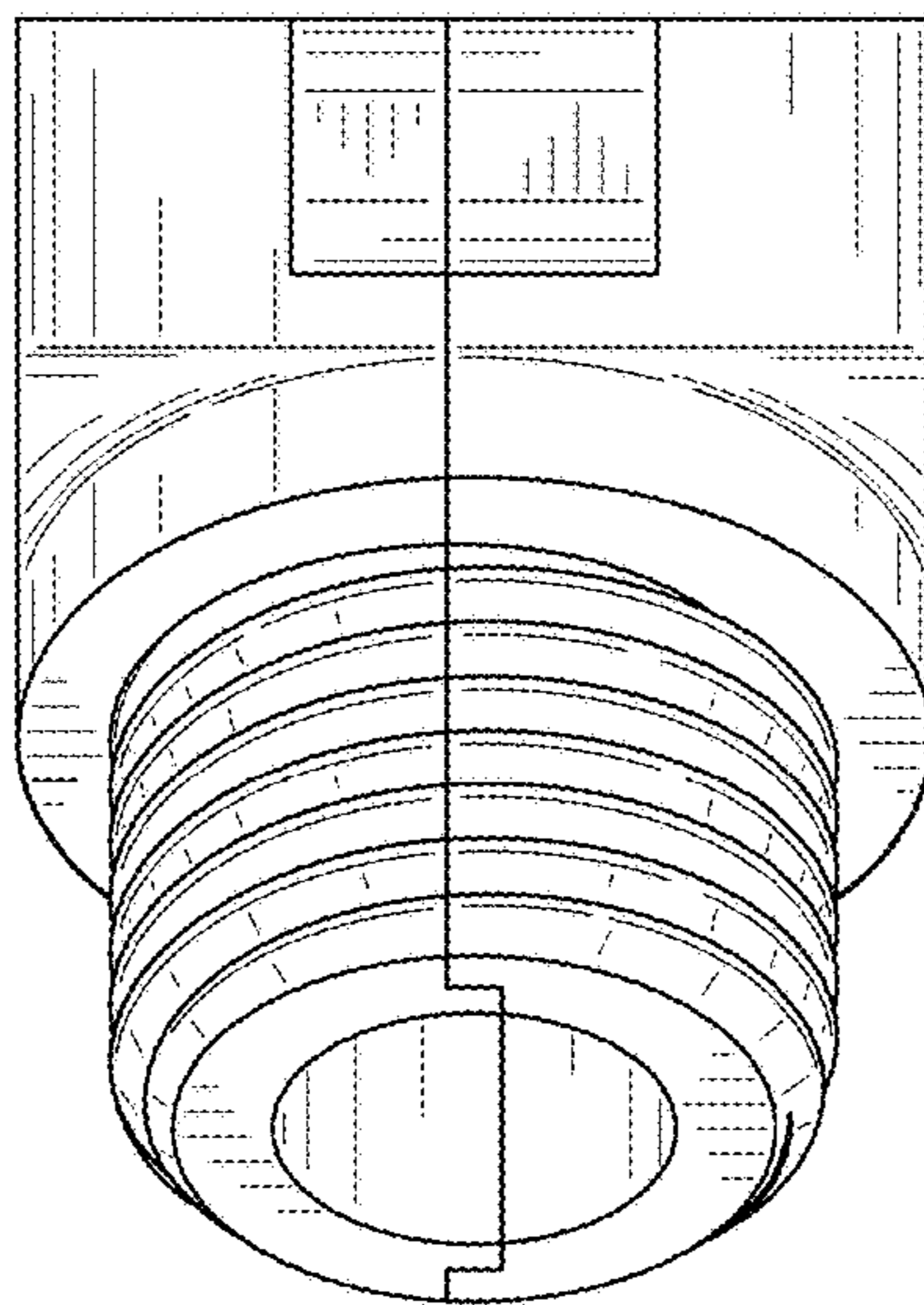


FIG. 8