



US00D849820S

(12) **United States Design Patent**
Zhang

(10) **Patent No.:** **US D849,820 S**

(45) **Date of Patent:** **** May 28, 2019**

(54) **LCD PROJECTOR**

(71) Applicant: **Mengyan Zhang**, Guangdong (CN)

(72) Inventor: **Mengyan Zhang**, Guangdong (CN)

(73) Assignee: **Shenzhen StarAudio-Visual Equipment Co., Ltd.**, Shenzhen

(**) Term: **15 Years**

(21) Appl. No.: **29/638,564**

(22) Filed: **Feb. 27, 2018**

(51) **LOC (11) Cl.** **16-02**

(52) **U.S. Cl.**
USPC **D16/230; D16/225**

(58) **Field of Classification Search**
USPC D16/221, 225, 230-231, 234; D21/514;
353/119
CPC G03B 21/00; G03B 21/001; G03B 21/003;
G03B 21/12; G03B 21/14; G03B 21/142;
G03B 21/145
See application file for complete search history.

(56) **References Cited**

U.S. PATENT DOCUMENTS

D523,058 S * 6/2006 On D16/230

D555,696 S * 11/2007 Naruki D16/225
D600,735 S * 9/2009 Chigira D16/225
D637,642 S * 5/2011 Lim D16/225
D710,925 S * 8/2014 Tabuchi D16/230

* cited by examiner

Primary Examiner — Wan Laymon

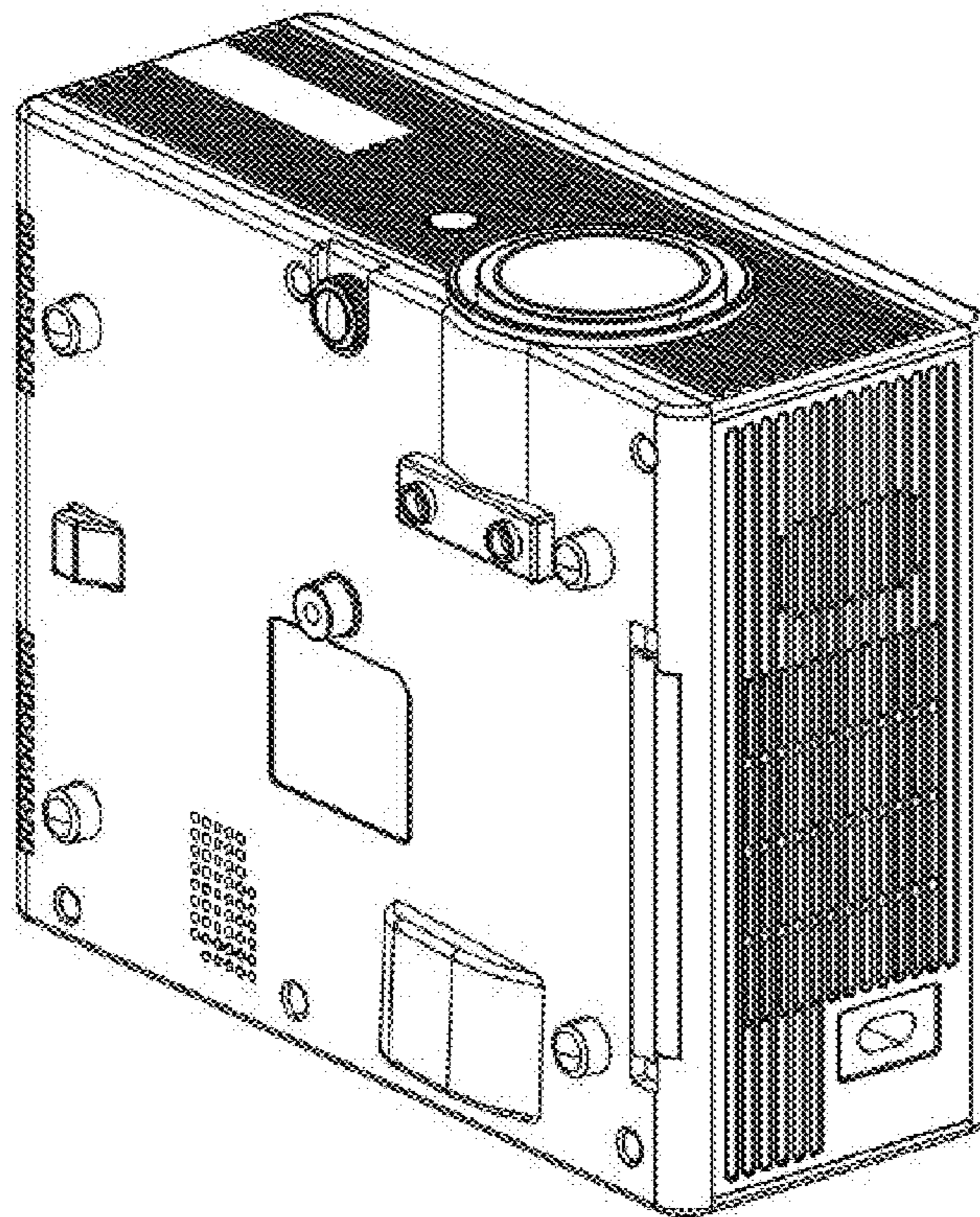
(57) **CLAIM**

The ornamental design for a LCD projector, as shown and described.

DESCRIPTION

FIG. 1 is a perspective view of a LCD projector showing my new design;
FIG. 2 is a front side view thereof;
FIG. 3 is a rear side view thereof;
FIG. 4 is a right side view thereof;
FIG. 5 is a left side view thereof;
FIG. 6 is a bottom plan view thereof; and,
FIG. 7 is a top plan view thereof.

1 Claim, 7 Drawing Sheets



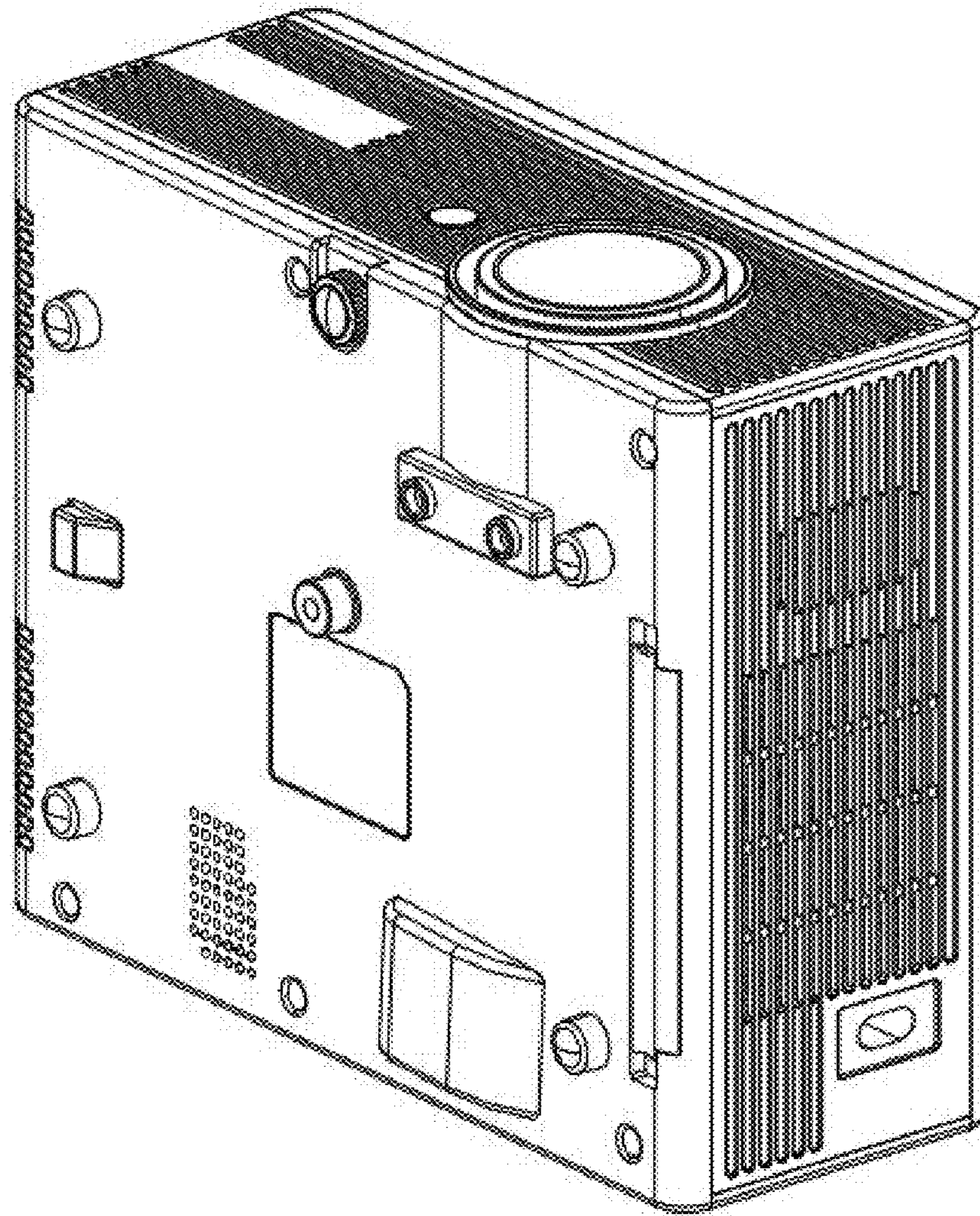


FIG. 1

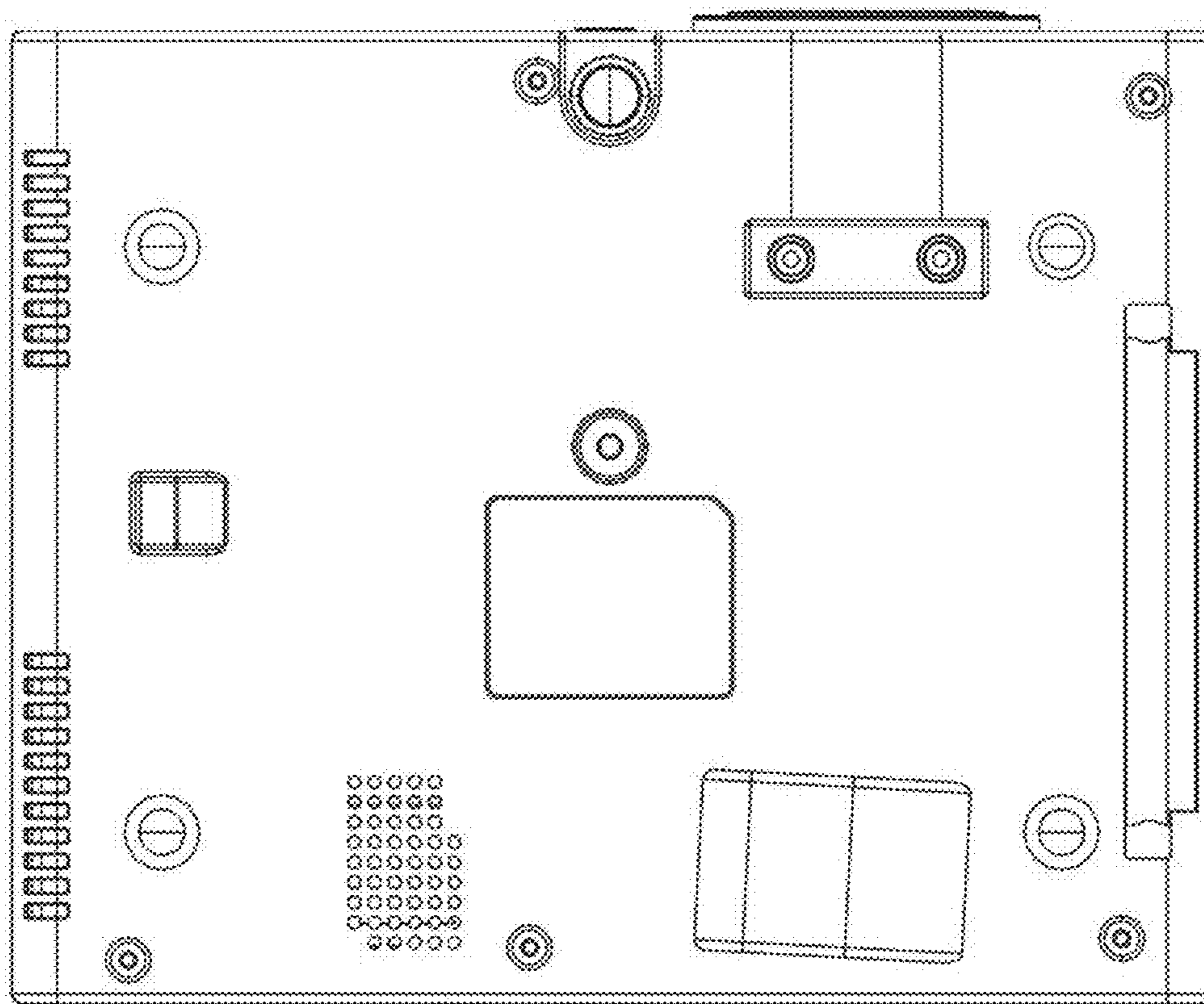


FIG. 2

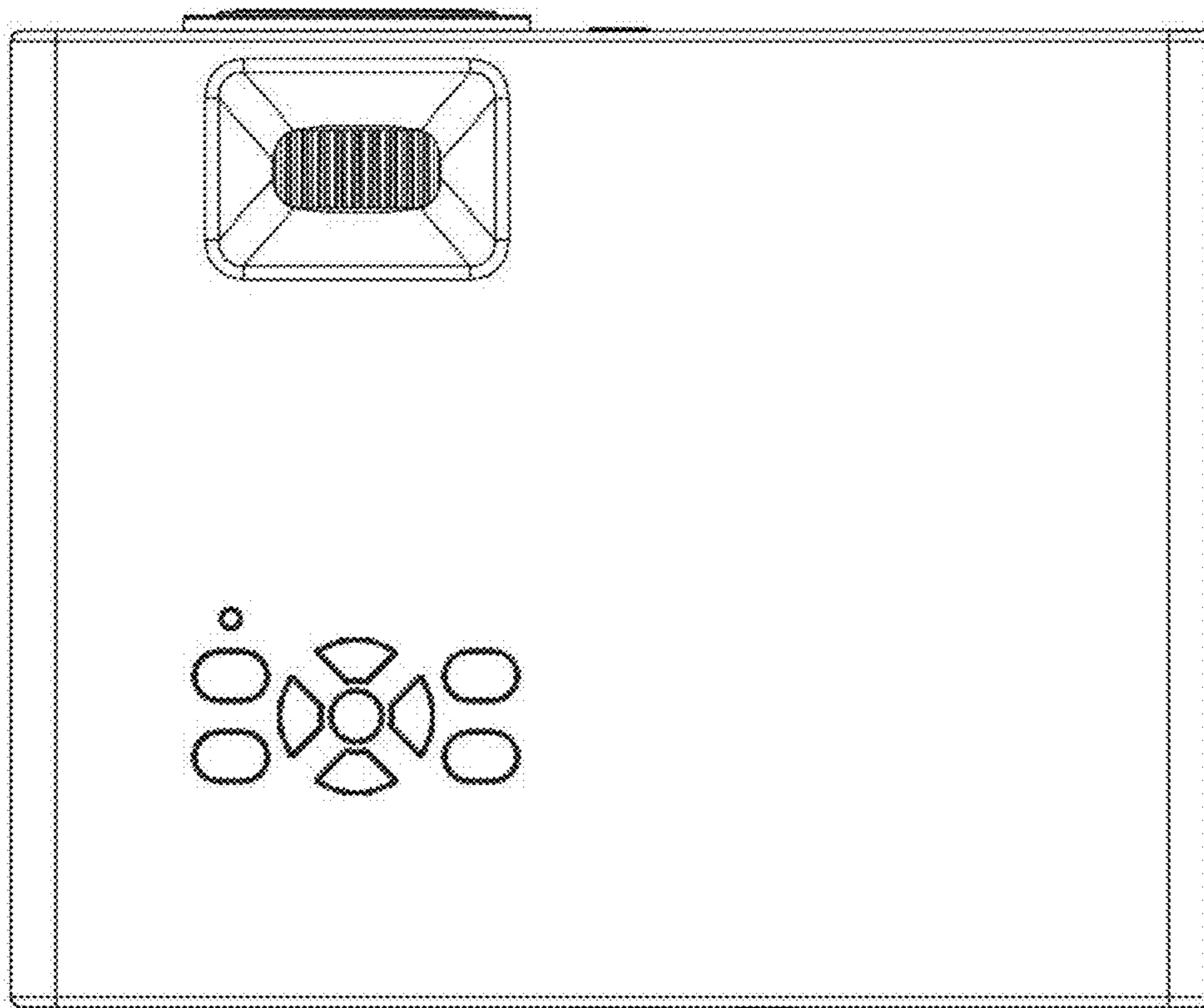


FIG. 3

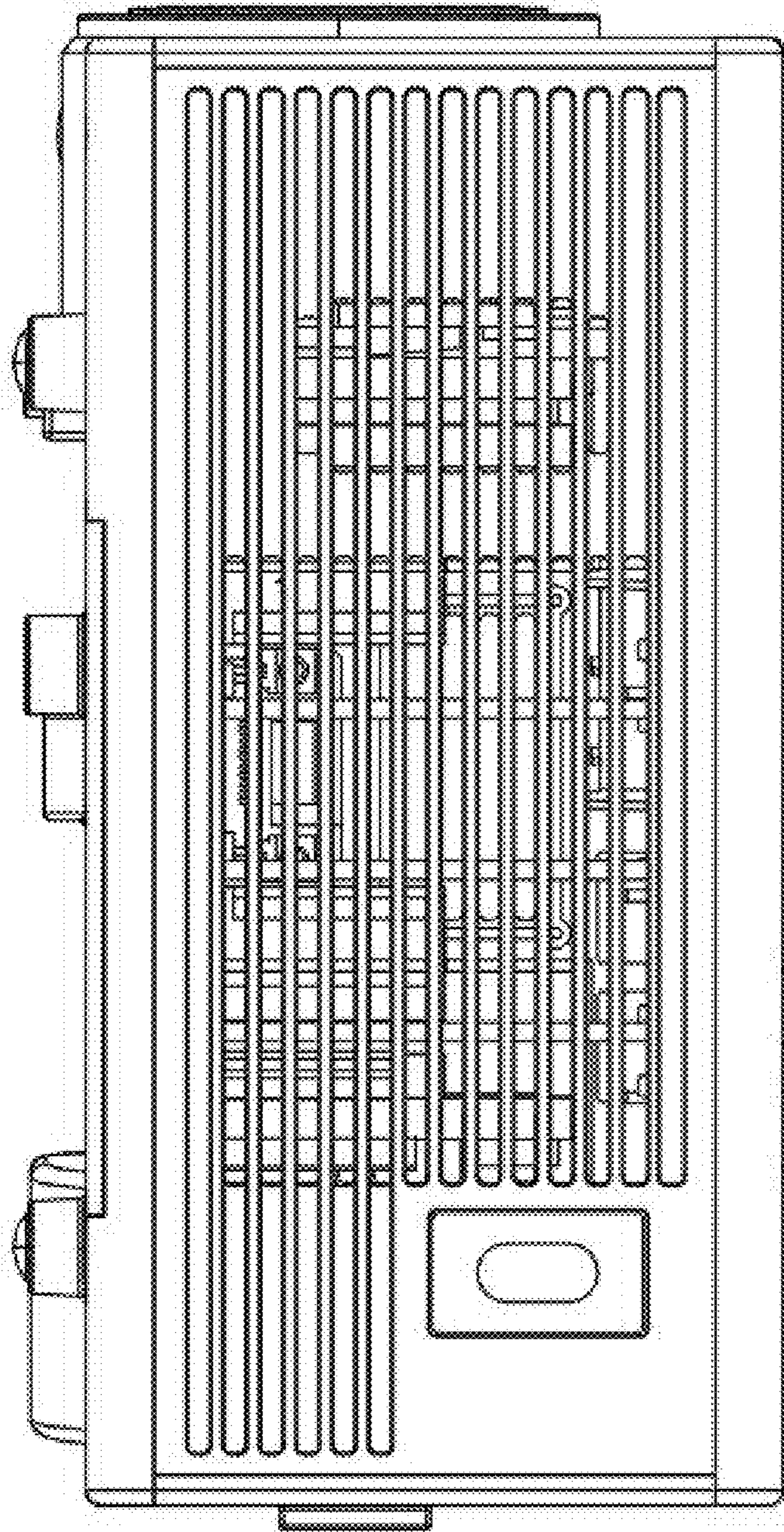


FIG. 4

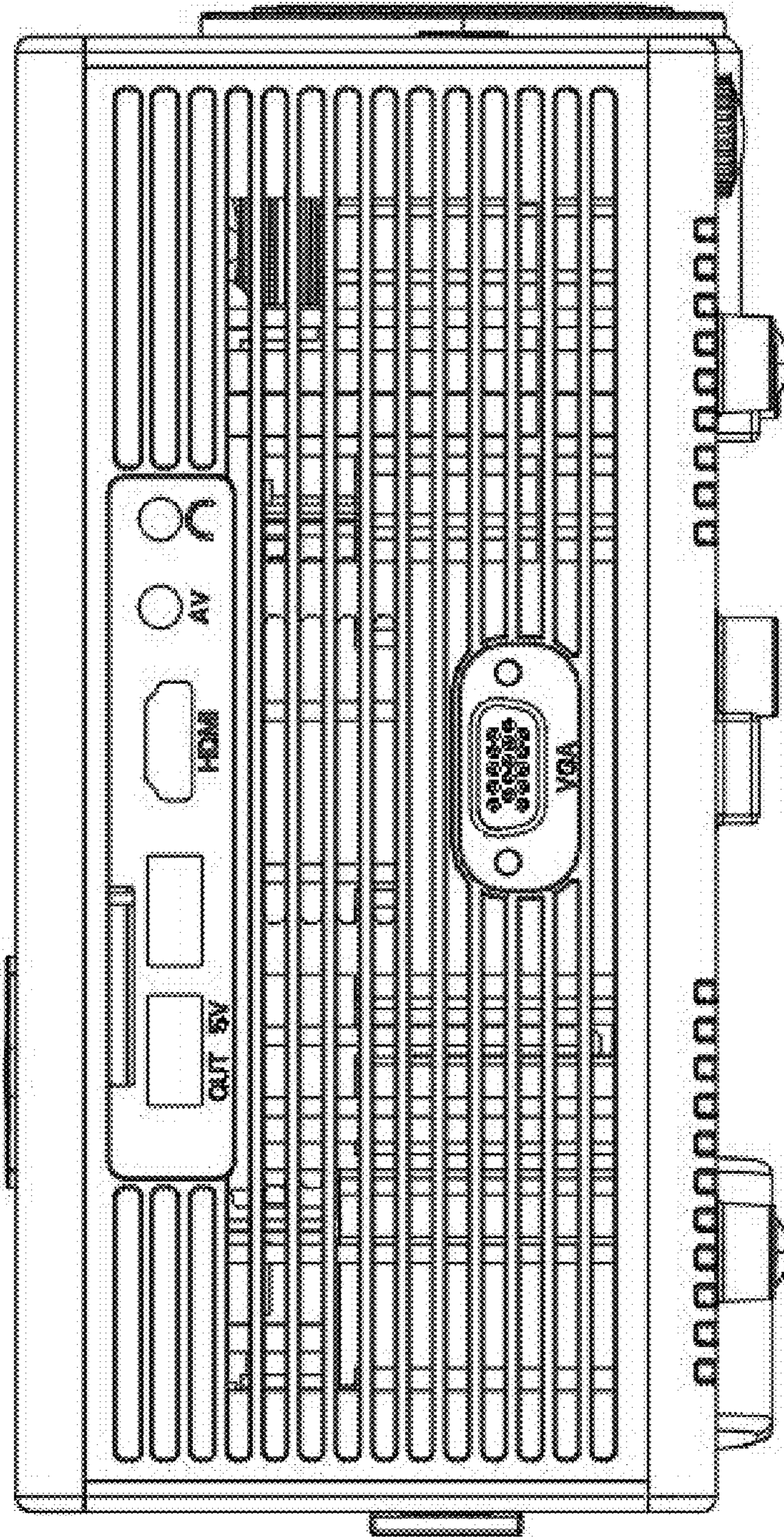


FIG. 5

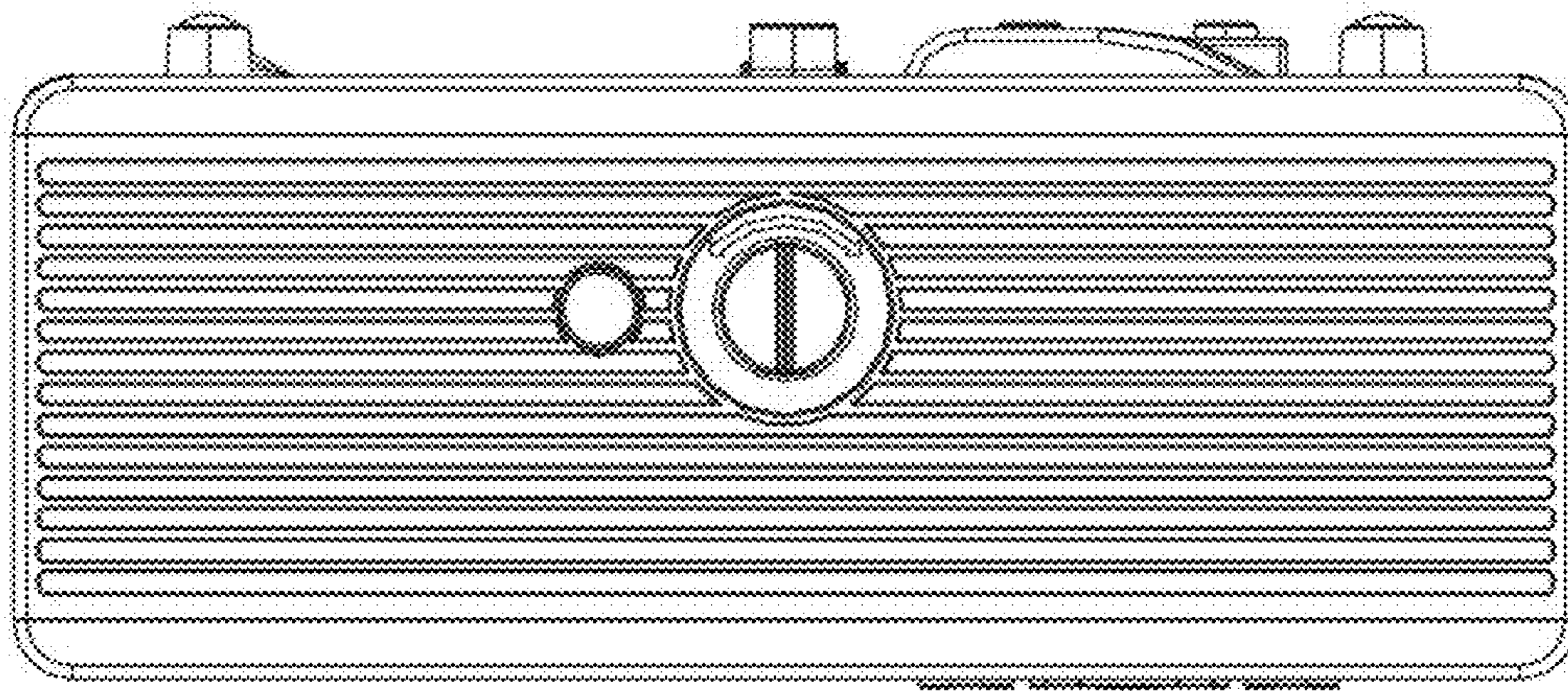


FIG. 6

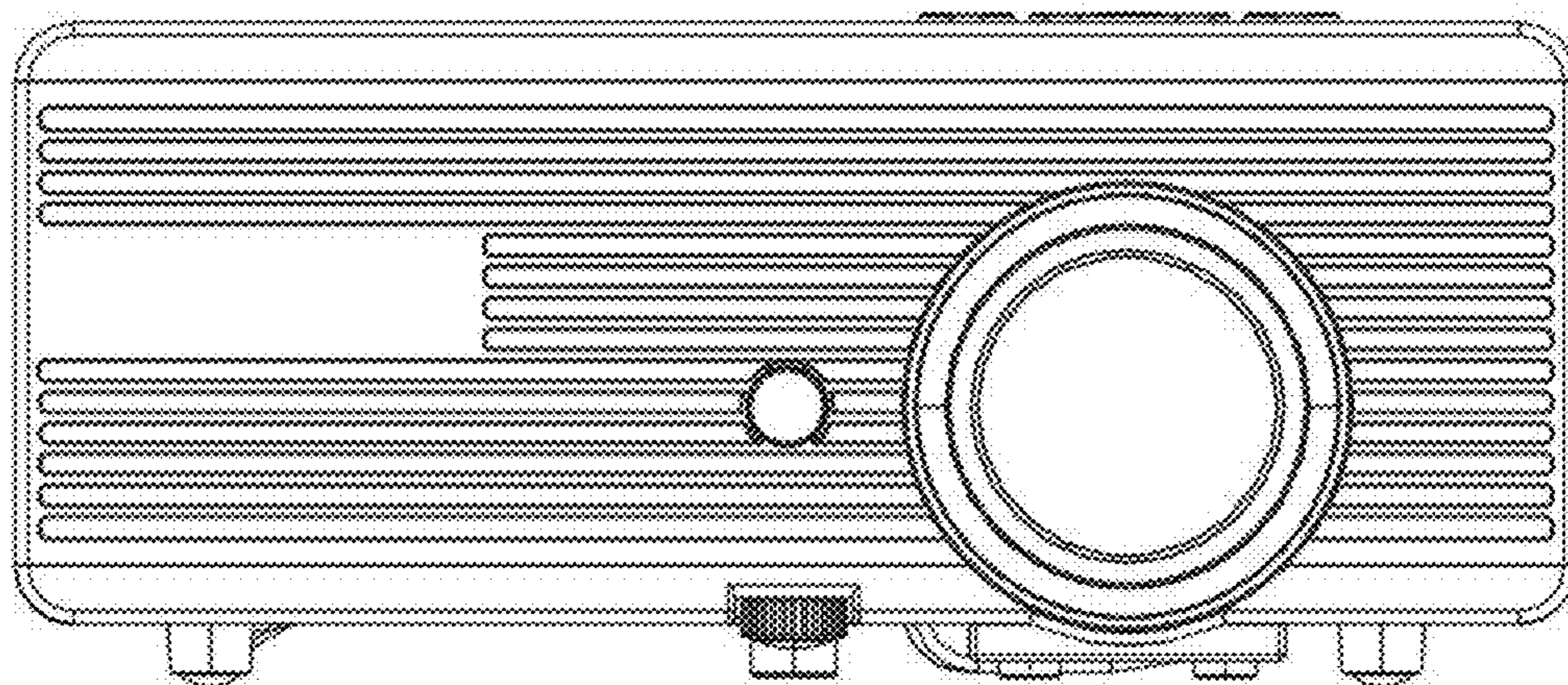


FIG. 7