



US00D849818S

(12) **United States Design Patent**
Imai

(10) **Patent No.:** **US D849,818 S**

(45) **Date of Patent:** **** May 28, 2019**

(54) **DIGITAL CAMERA**

(71) Applicant: **FUJIFILM Corporation**, Tokyo (JP)

(72) Inventor: **Masazumi Imai**, Saitama (JP)

(73) Assignee: **FUJIFILM Corporation**, Minato-Ku,
Tokyo (JP)

(**) Term: **15 Years**

(21) Appl. No.: **29/595,218**

(22) Filed: **Feb. 27, 2017**

(30) **Foreign Application Priority Data**

Aug. 31, 2016 (JP) 2016-018659

(51) **LOC (11) Cl.** **16-05**

(52) **U.S. Cl.**
USPC **D16/219**

(58) **Field of Classification Search**

USPC D16/200–220, 131
CPC ... G02B 7/02; G02B 7/04; G02B 7/14; G02B
3/14; G03B 17/00; G03B 17/02; G03B
17/56; G03B 17/04; G03B 17/14; G03B
15/03; G03B 9/08; H04N 5/2251; H04N
5/2252; H04N 5/2253; H04N 5/2254;
H04N 7/00; H04N 2101/00; F16M 13/00
See application file for complete search history.

(56) **References Cited**

U.S. PATENT DOCUMENTS

4,101,917 A * 7/1978 Ueda G03B 7/18
396/298
D647,552 S * 10/2011 Ogasawara D16/202
D649,997 S * 12/2011 Imai D16/202
D654,943 S * 2/2012 Ogasawara D16/202
D698,839 S * 2/2014 Sato D16/200
D701,257 S * 3/2014 Ogawa D16/202
D710,425 S * 8/2014 Sato D16/200

D719,599 S * 12/2014 Fujita D16/202
D719,993 S * 12/2014 Soejima D16/202
D732,099 S * 6/2015 Nagaoka D16/202
D746,351 S * 12/2015 Sogabe D16/202
D749,659 S * 2/2016 Kamei D16/202
D777,233 S * 1/2017 Sakai D16/202
9,699,363 B2 * 7/2017 Imamura H04N 5/2254
D794,693 S * 8/2017 Sato D16/202
D795,324 S * 8/2017 Sato D16/202
9,769,376 B2 * 9/2017 Uchida H04N 5/23212
D800,200 S * 10/2017 Abe D16/202
9,791,660 B2 * 10/2017 Takeshita G02B 7/04
D807,941 S * 1/2018 Kamei D16/202
D832,908 S * 11/2018 Sakai D16/219
2006/0262659 A1 * 11/2006 Kurosawa G02B 7/08
369/1

(Continued)

Primary Examiner — Barbara Fox

Assistant Examiner — Mary C Ramirez

(74) *Attorney, Agent, or Firm* — Sughrue Mion, PLLC

(57) **CLAIM**

The ornamental design for a digital camera, as shown and described.

DESCRIPTION

FIG. 1 is a front, top, right perspective view of a digital camera showing the new design;

FIG. 2 is a rear, top, right perspective view thereof;

FIG. 3 is a front view thereof;

FIG. 4 is a rear view thereof;

FIG. 5 is a plan view thereof;

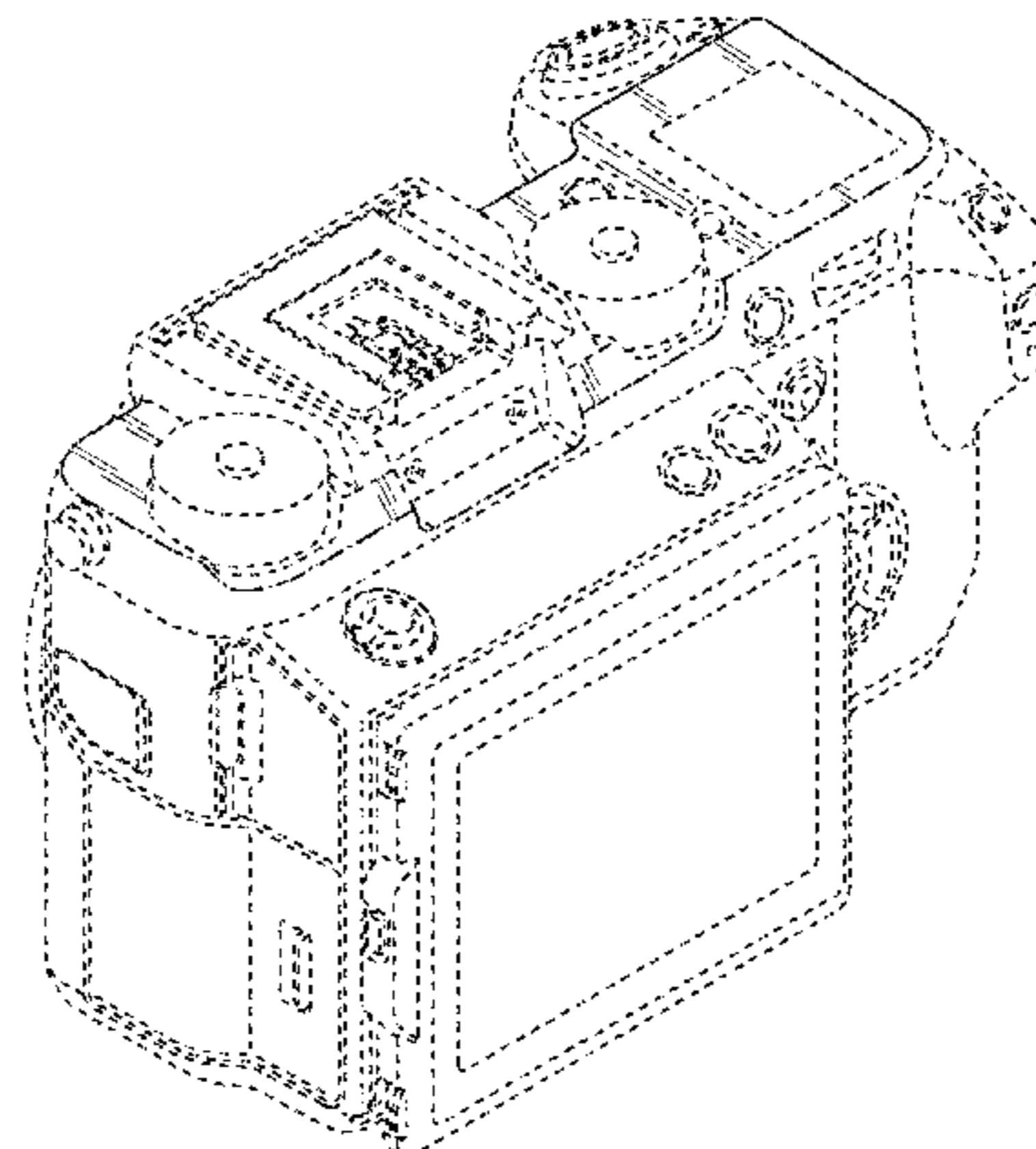
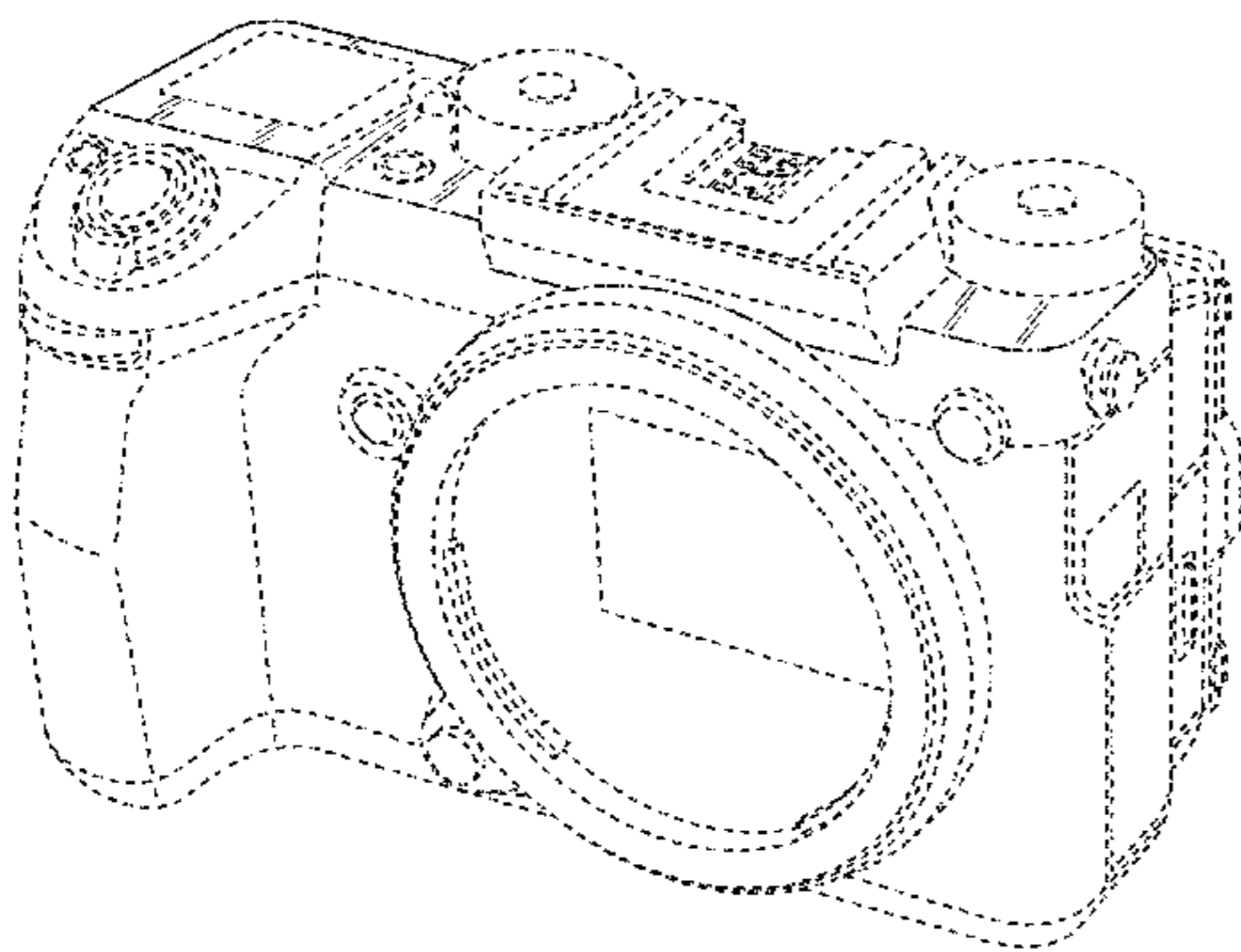
FIG. 6 is a bottom view thereof;

FIG. 7 is a right side view thereof; and,

FIG. 8 is a left side view thereof.

The short dashed lines shown in the drawings depict portions of the digital camera that form no part of the claimed design. The long dot-dashed lines depict boundaries of the claim and form no part of the claimed design.

1 Claim, 8 Drawing Sheets



(56)

References Cited

U.S. PATENT DOCUMENTS

2015/0022694 A1* 1/2015 Jogetsu H04N 5/23209
348/240.1
2015/0185437 A1* 7/2015 Suzuki G02B 13/04
359/754
2017/0126957 A1* 5/2017 Uchida G02B 7/28
2017/0302843 A1* 10/2017 Imamura H04N 5/23209

* cited by examiner

FIG. 1

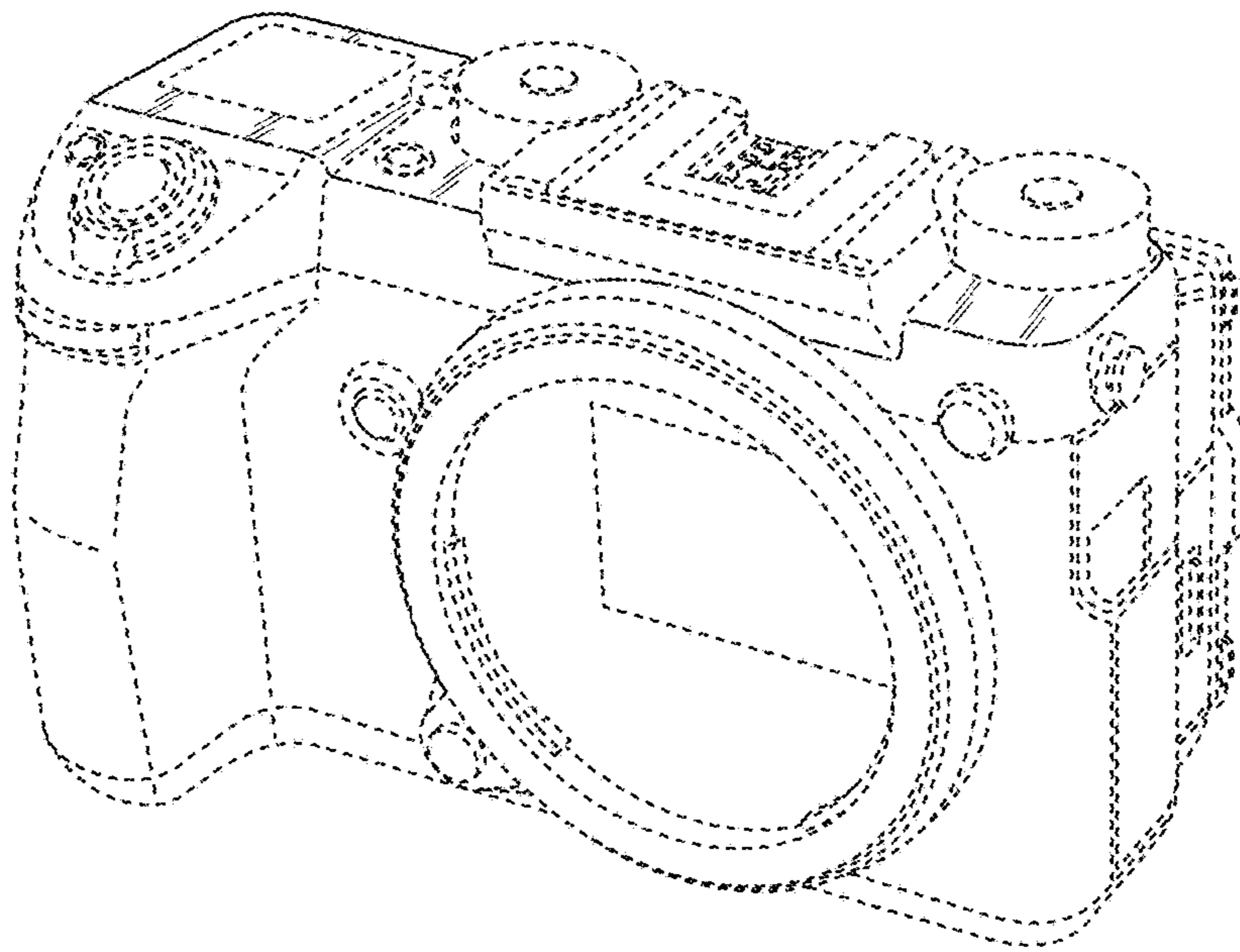


FIG. 2

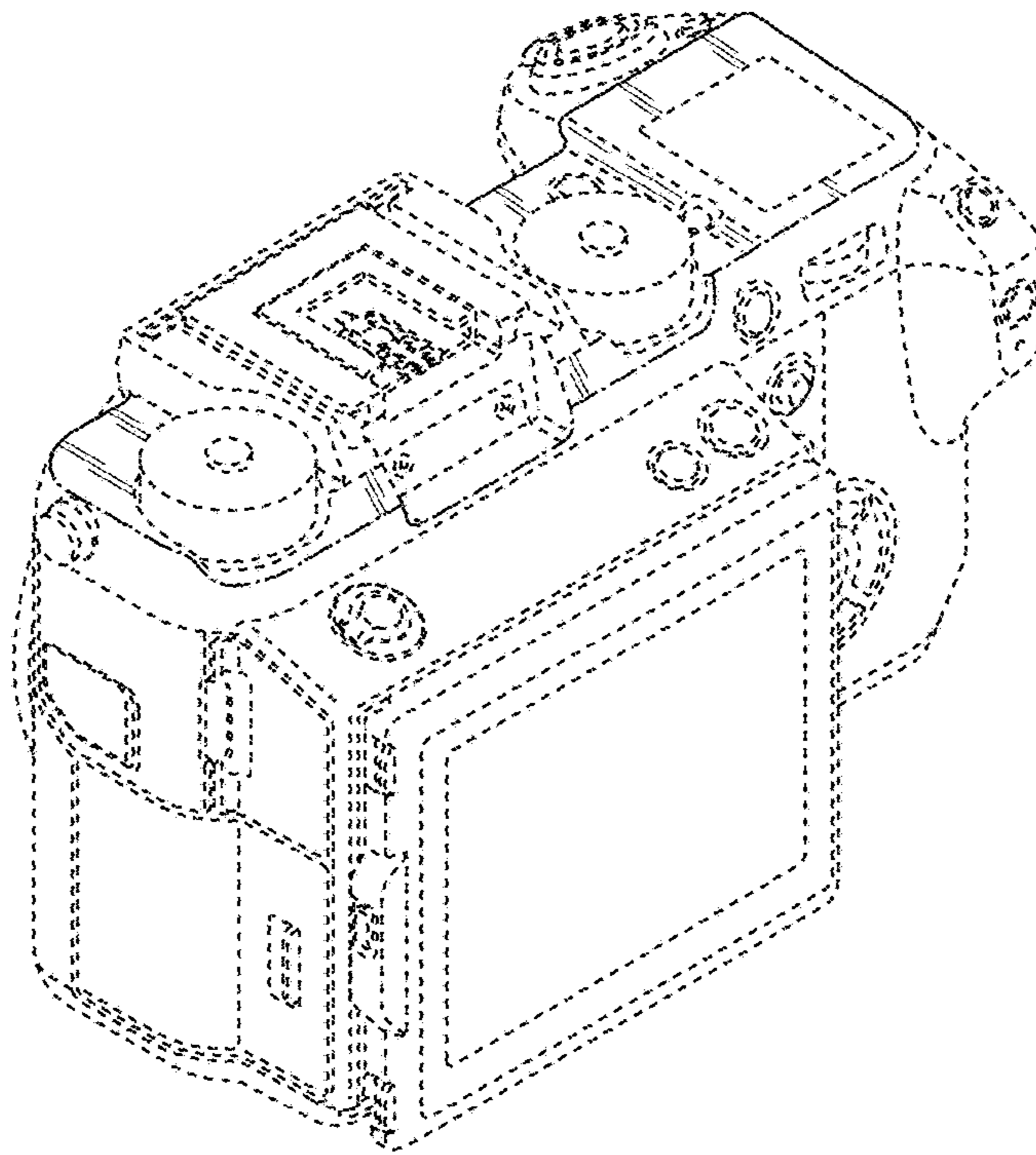


FIG. 3

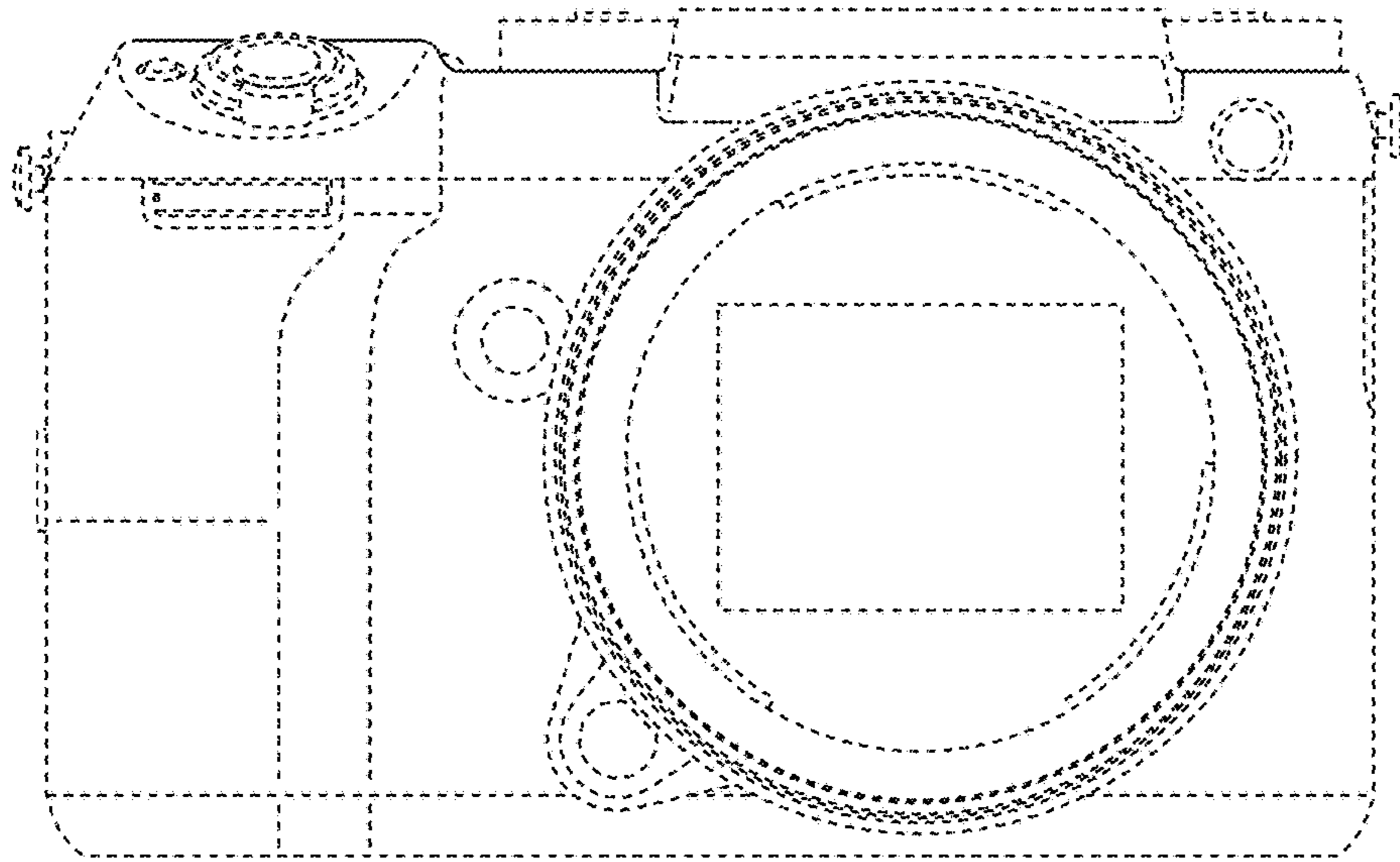


FIG. 4

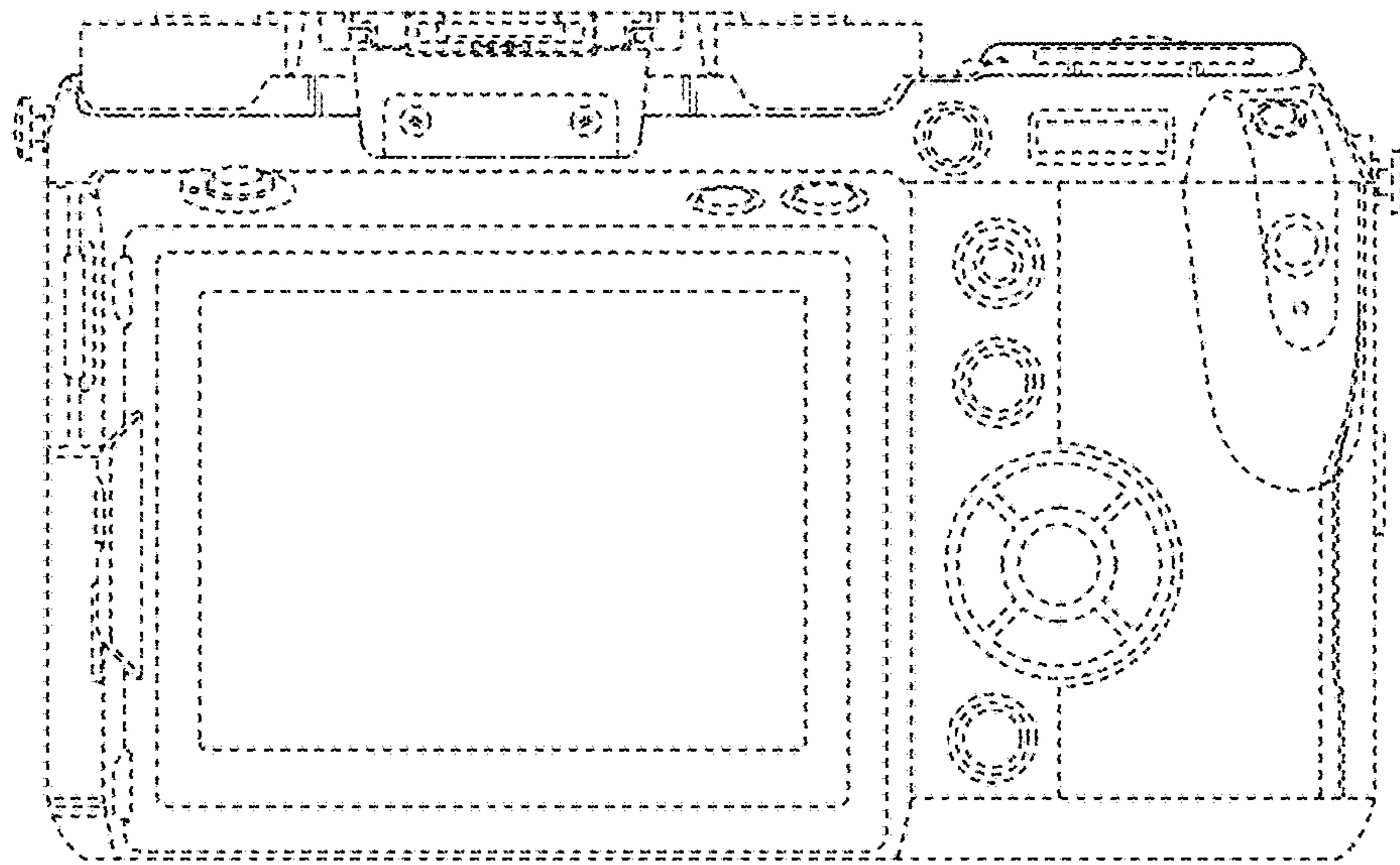


FIG. 5

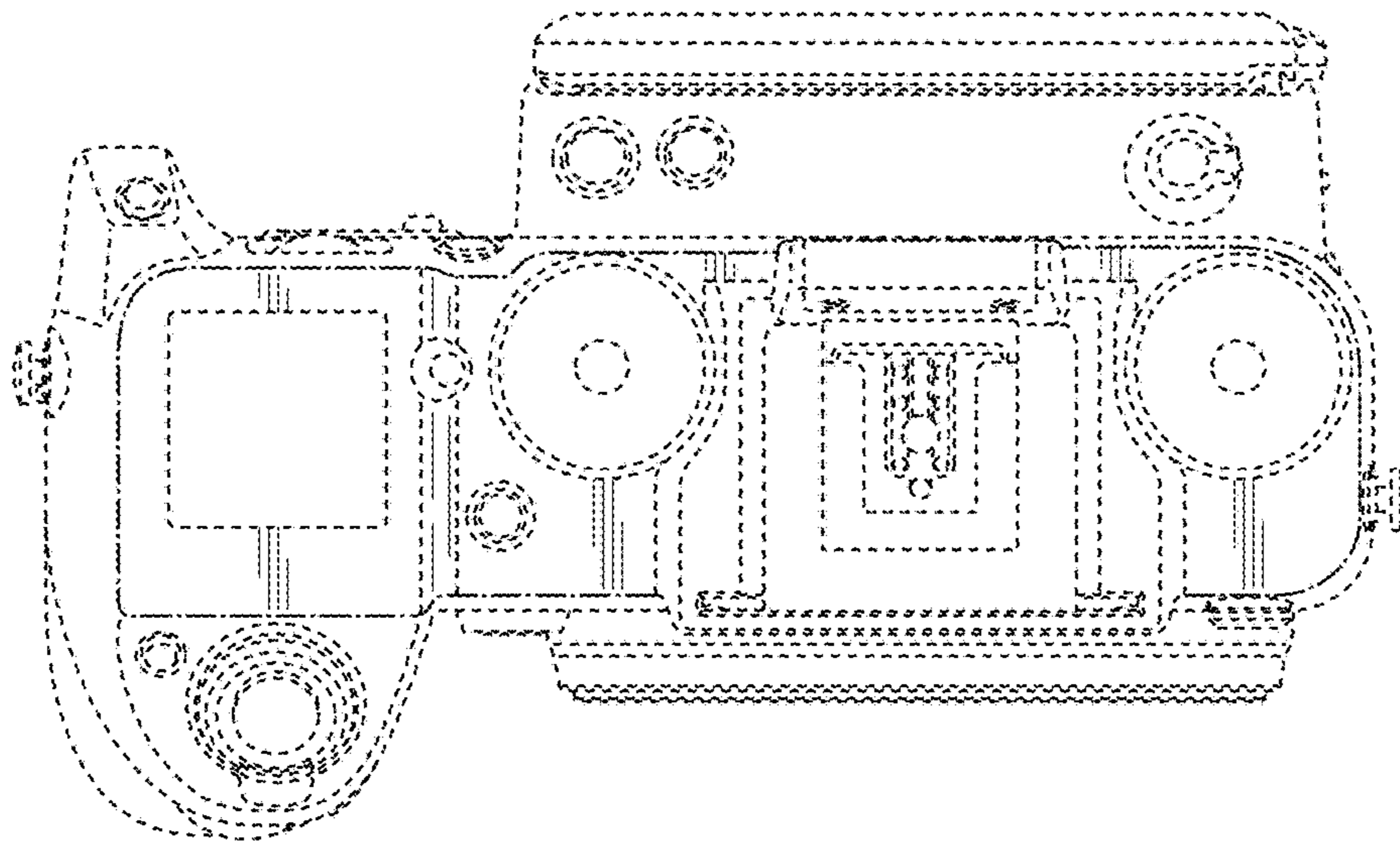


FIG. 6

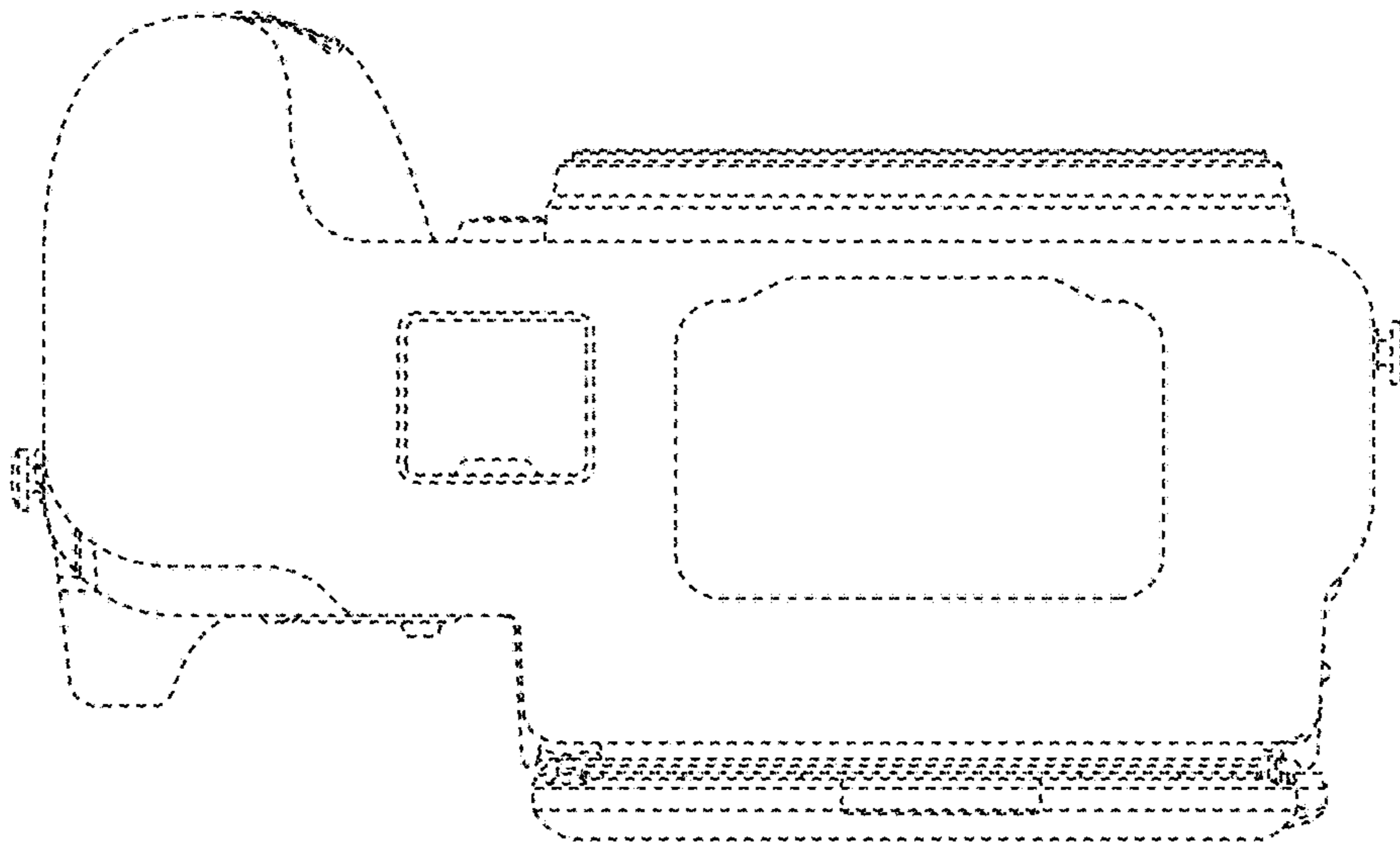


FIG. 7

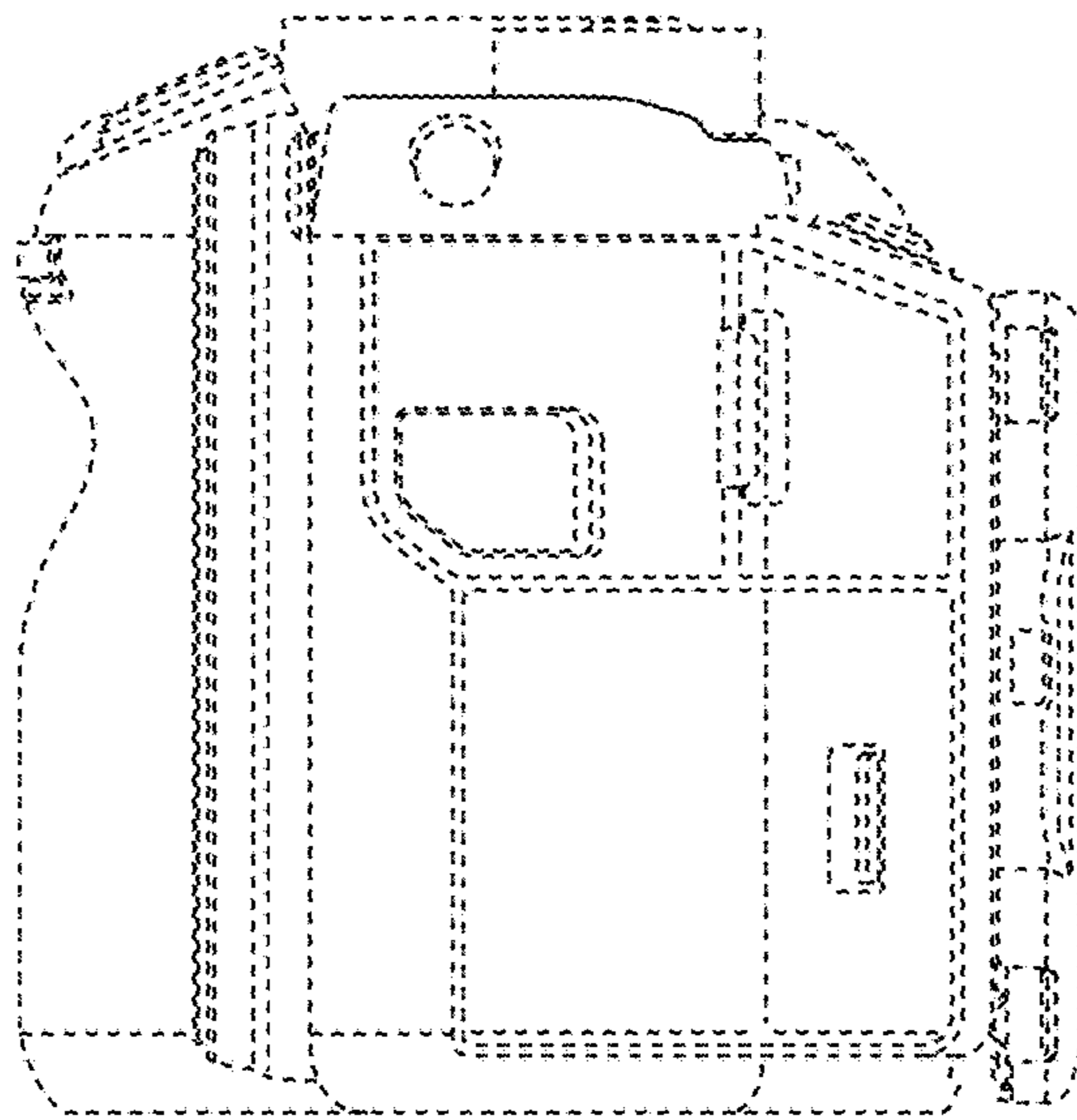


FIG. 8

