



US00D849817S

(12) **United States Design Patent**
Wang et al.

(10) **Patent No.:** **US D849,817 S**

(45) **Date of Patent:** **** May 28, 2019**

(54) **DRIVING RECORDER DEVICE**

(71) Applicants: **HONGFUJIN PRECISION ELECTRONICS(CHONGQING)CO. LTD**, Chongqing (CN); **HON HAI PRECISION INDUSTRY CO., LTD.**, New Taipei (TW)

(72) Inventors: **Yi-Wen Wang**, New Taipei (TW); **Chih-Kang Cho**, New Taipei (TW); **Mei-Hua Liu**, Shenzhen (CN)

(73) Assignees: **HONGFUJIN PRECISION ELECTRONICS (CHONGQING) CO., LTD.**, Chongqing (CN); **HON HAI PRECISION INDUSTRY CO., LTD.**, New Taipei (TW)

(**) Term: **15 Years**

(21) Appl. No.: **29/585,906**

(22) Filed: **Nov. 30, 2016**

(30) **Foreign Application Priority Data**

Sep. 14, 2016 (CN) 2016 3 0471422

(51) **LOC (11) Cl.** **16-01**

(52) **U.S. Cl.**
USPC **D16/218**

(58) **Field of Classification Search**
USPC D16/200–204, 208, 218, 219; 340/932.2, 340/933, 937; 348/143, 148, 151, 348/373–376; 396/427, 428, 537–541
CPC G03B 15/03; G03B 17/02; G03B 17/04; G03B 17/48; G03B 17/56; G03B 19/04; G08G 1/0175; H04N 5/2251; H04N 5/2252; H04N 5/2253; H04N 5/2254; H04N 2101/00; B60R 1/00

See application file for complete search history.

(56) **References Cited**

U.S. PATENT DOCUMENTS

D363,299 S *	10/1995	Nomura	D16/202
D416,033 S *	11/1999	Kitera	D16/203
D416,930 S *	11/1999	Choi	D14/130
D563,448 S *	3/2008	Yamakawa	D16/202
D609,727 S *	2/2010	Adolfsson	D16/200
D643,452 S *	8/2011	Alm	D16/200
D672,382 S *	12/2012	Zeinoun	D16/203
8,405,726 B2 *	3/2013	Schofield	B60R 1/04 348/148
D700,231 S *	2/2014	Berkmortel	D16/203
D727,761 S *	4/2015	Abe	D10/80
D782,560 S *	3/2017	Li	D16/208
2012/0327234 A1 *	12/2012	Fish, Jr.	H04N 7/185 348/148

* cited by examiner

Primary Examiner — Ramzi S Almatrahi

(74) *Attorney, Agent, or Firm* — ScienBiziP, P.C.

(57) **CLAIM**

The ornamental design for a driving recorder device, as shown and described.

DESCRIPTION

FIG. 1 is a front perspective view of a driving recorder device;

FIG. 2 is a rear perspective view thereof;

FIG. 3 is a front elevational view thereof;

FIG. 4 is a rear elevational view thereof;

FIG. 5 is a left side elevational view thereof;

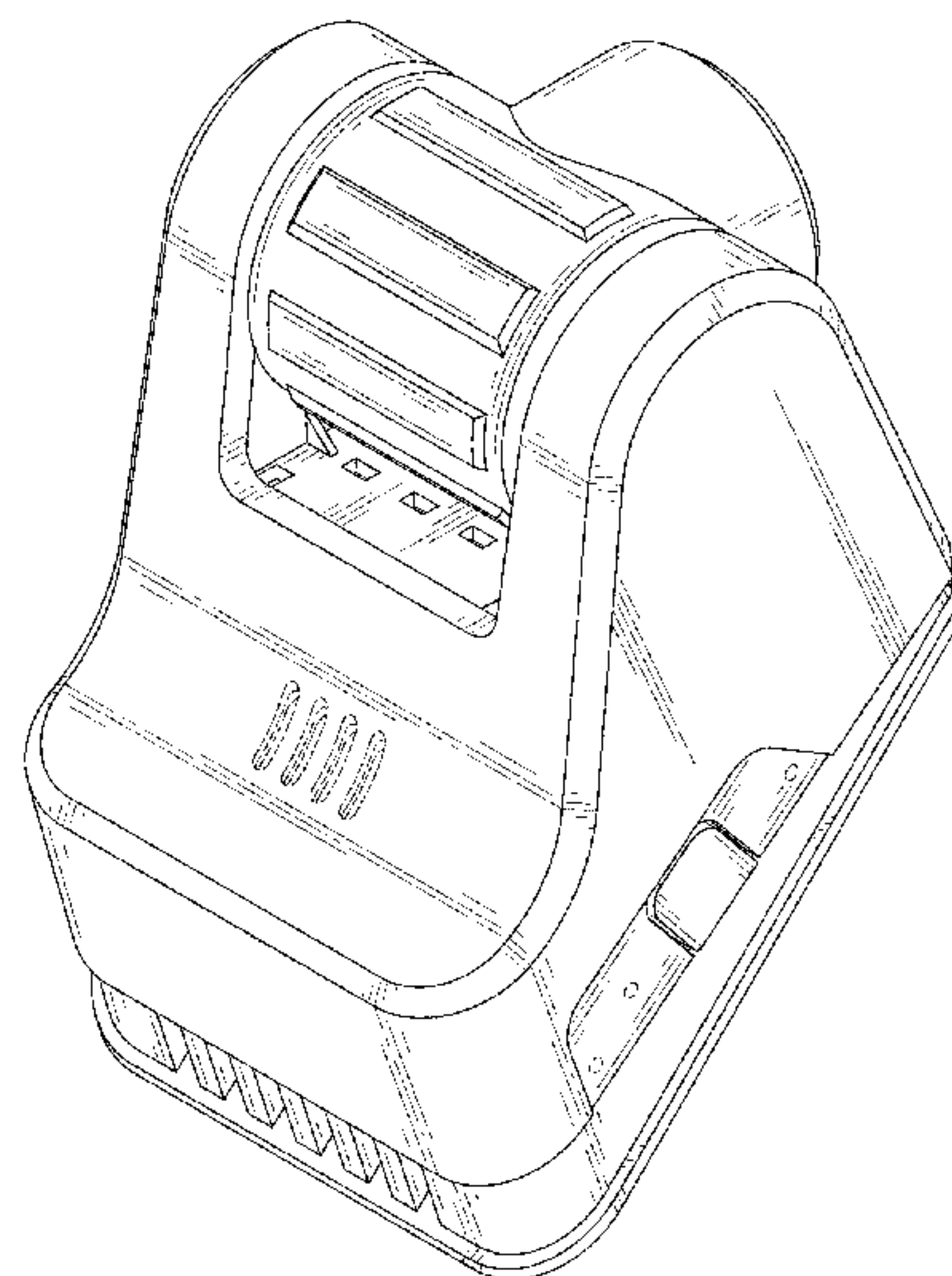
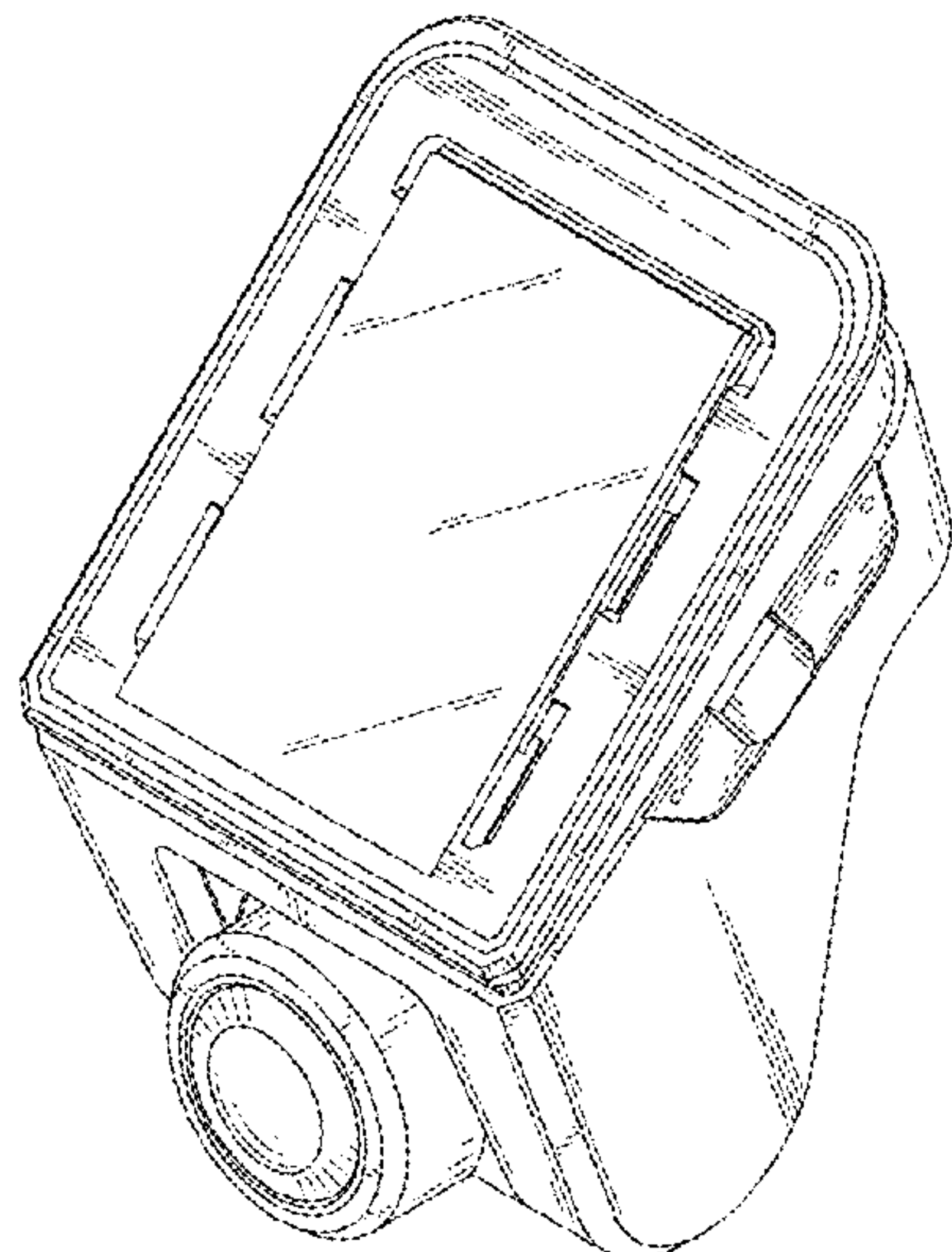
FIG. 6 is a right side elevational view thereof;

FIG. 7 is a top plan view thereof; and,

FIG. 8 is a bottom plan view thereof.

The broken lines depict portions of the driving recorder device in which the design is embodied that form no part of the claimed design.

1 Claim, 8 Drawing Sheets



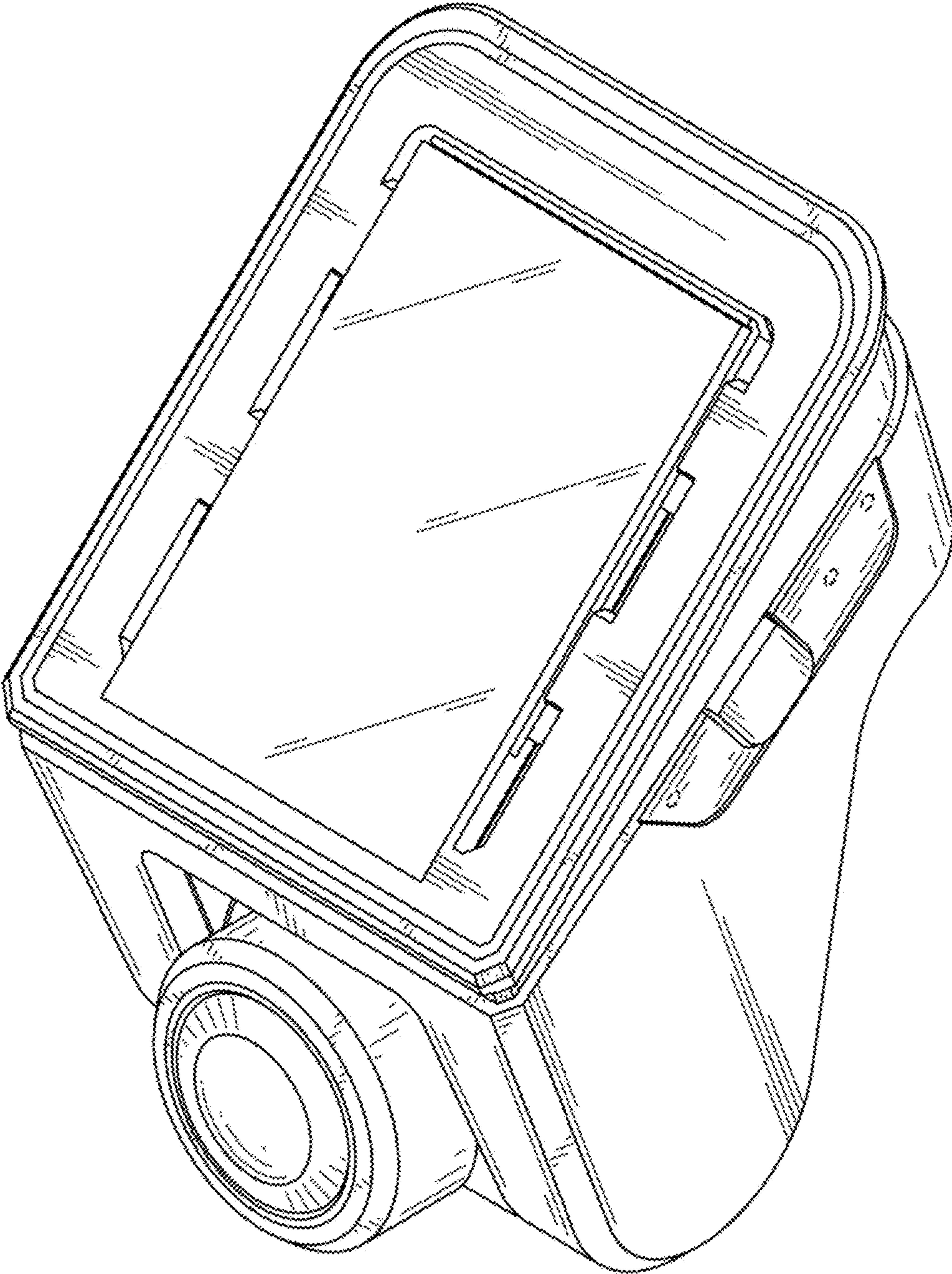


FIG. 1

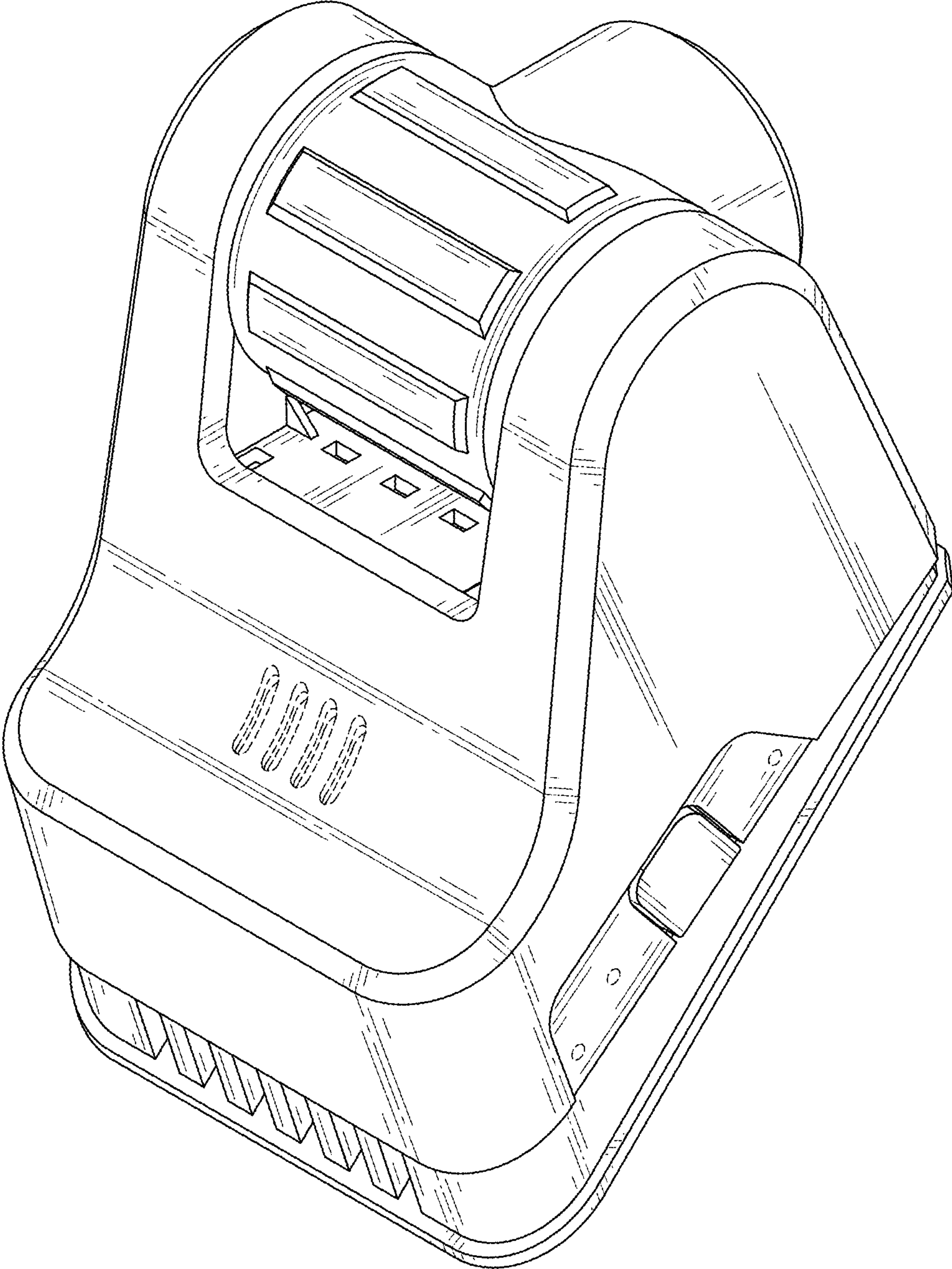


FIG. 2

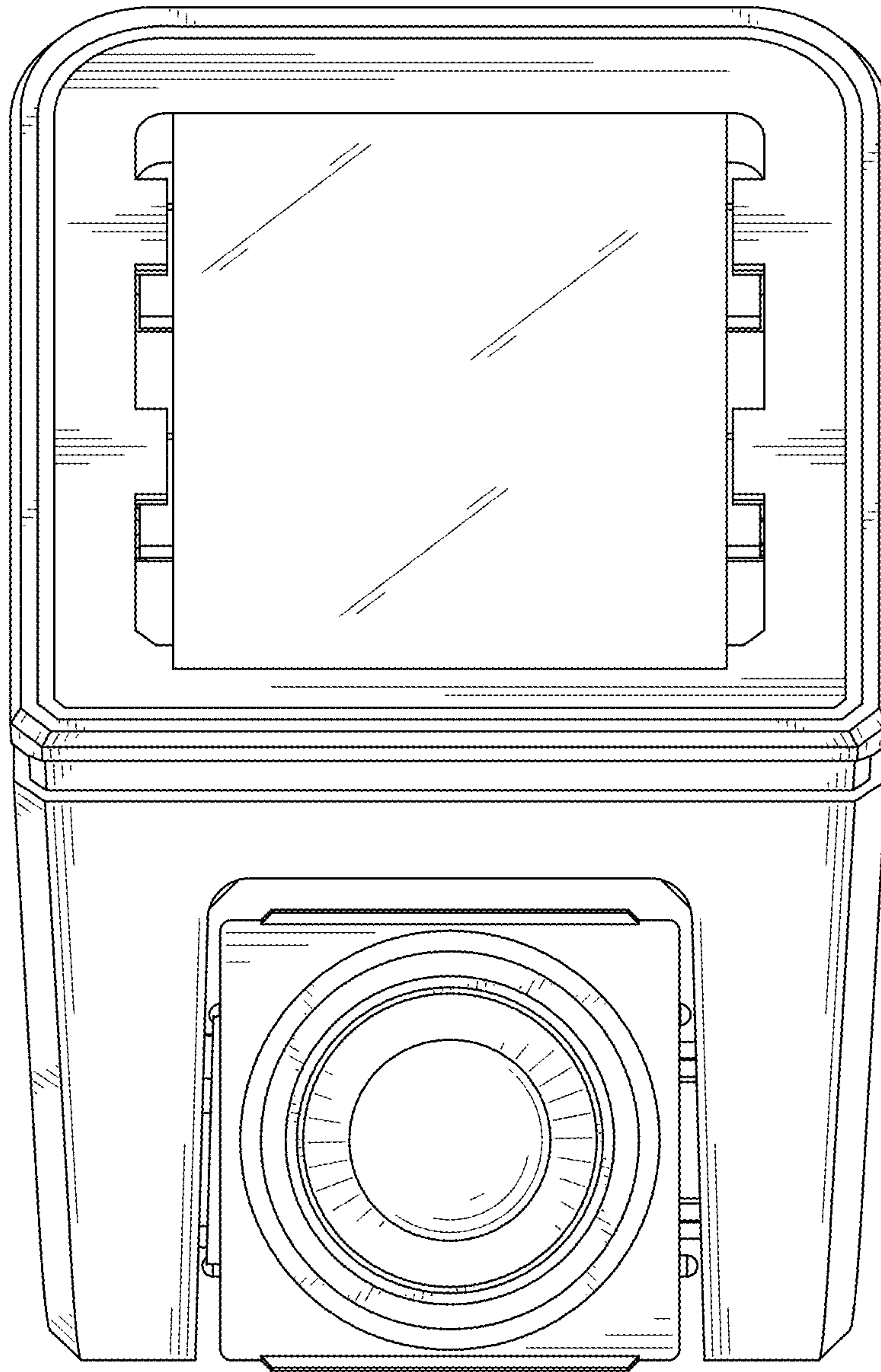


FIG. 3

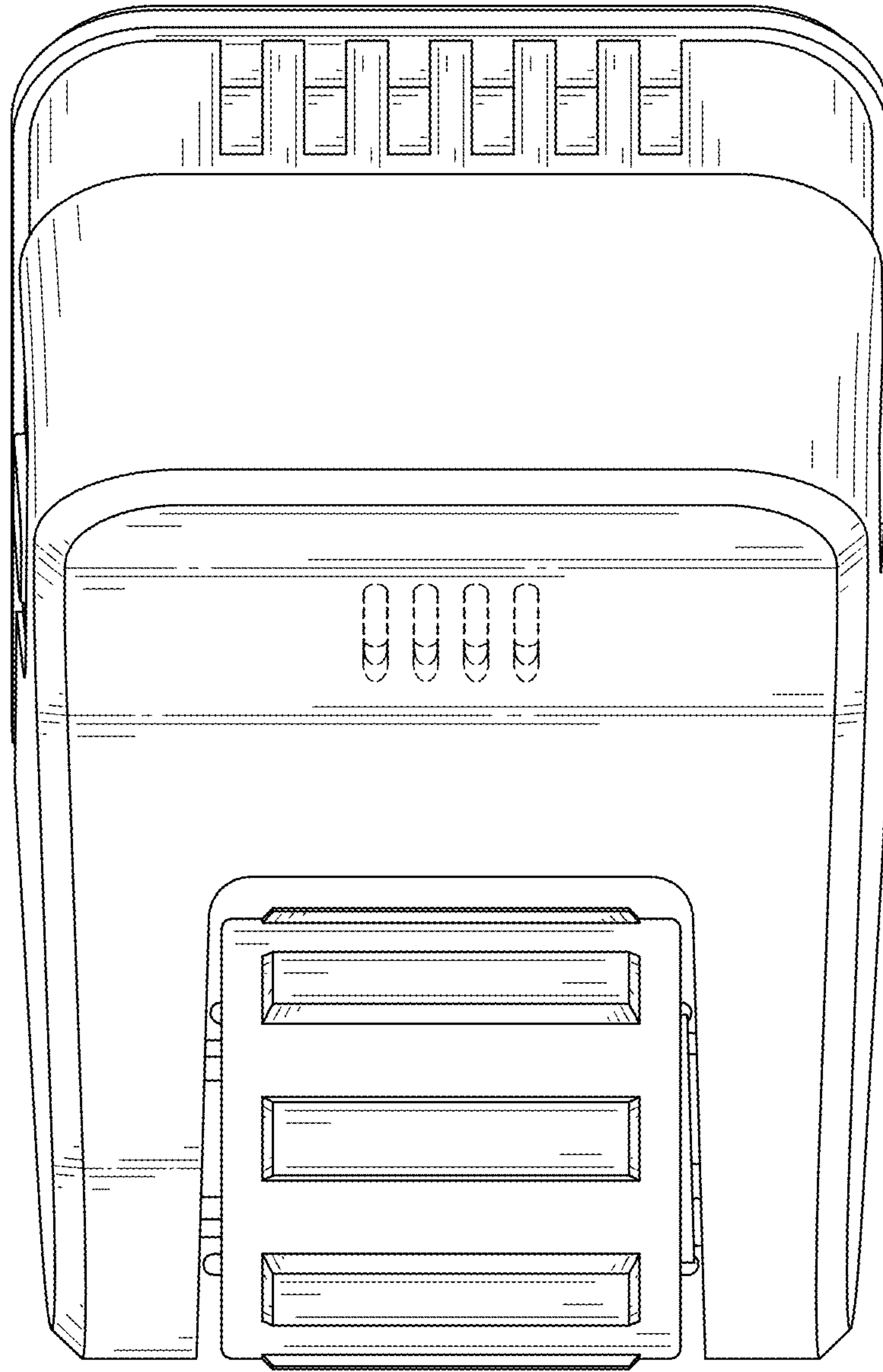


FIG. 4

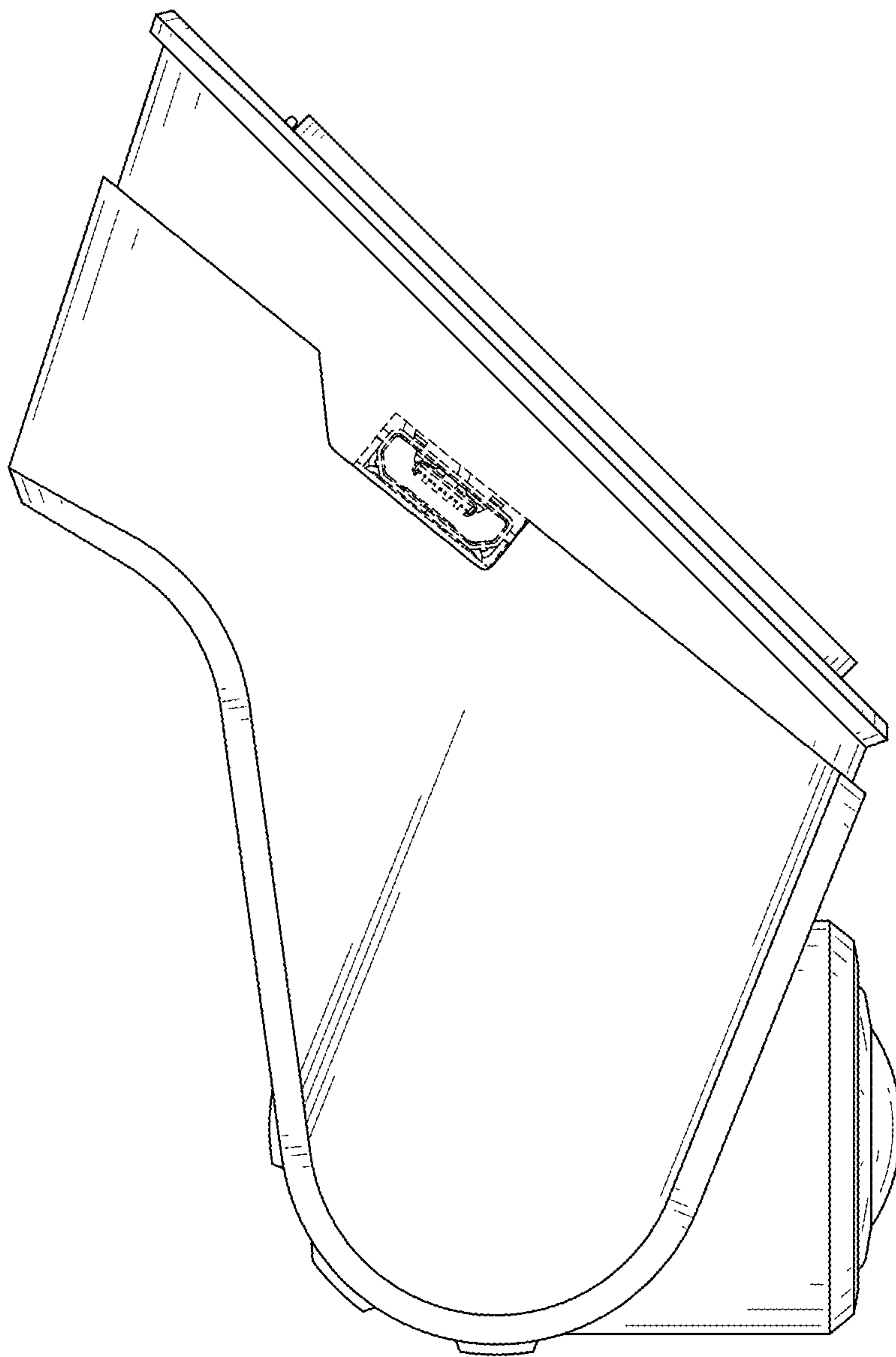


FIG. 5

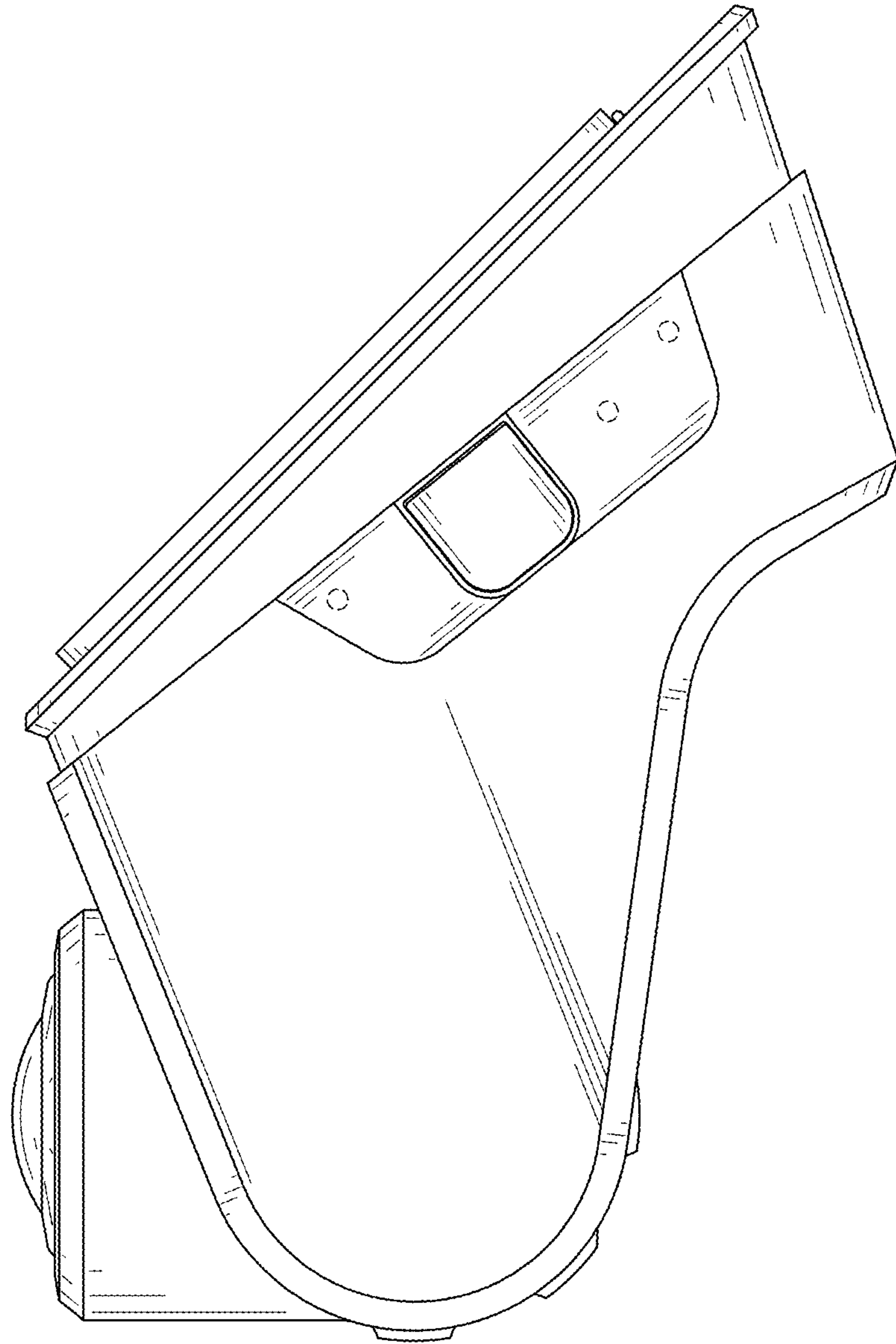


FIG. 6

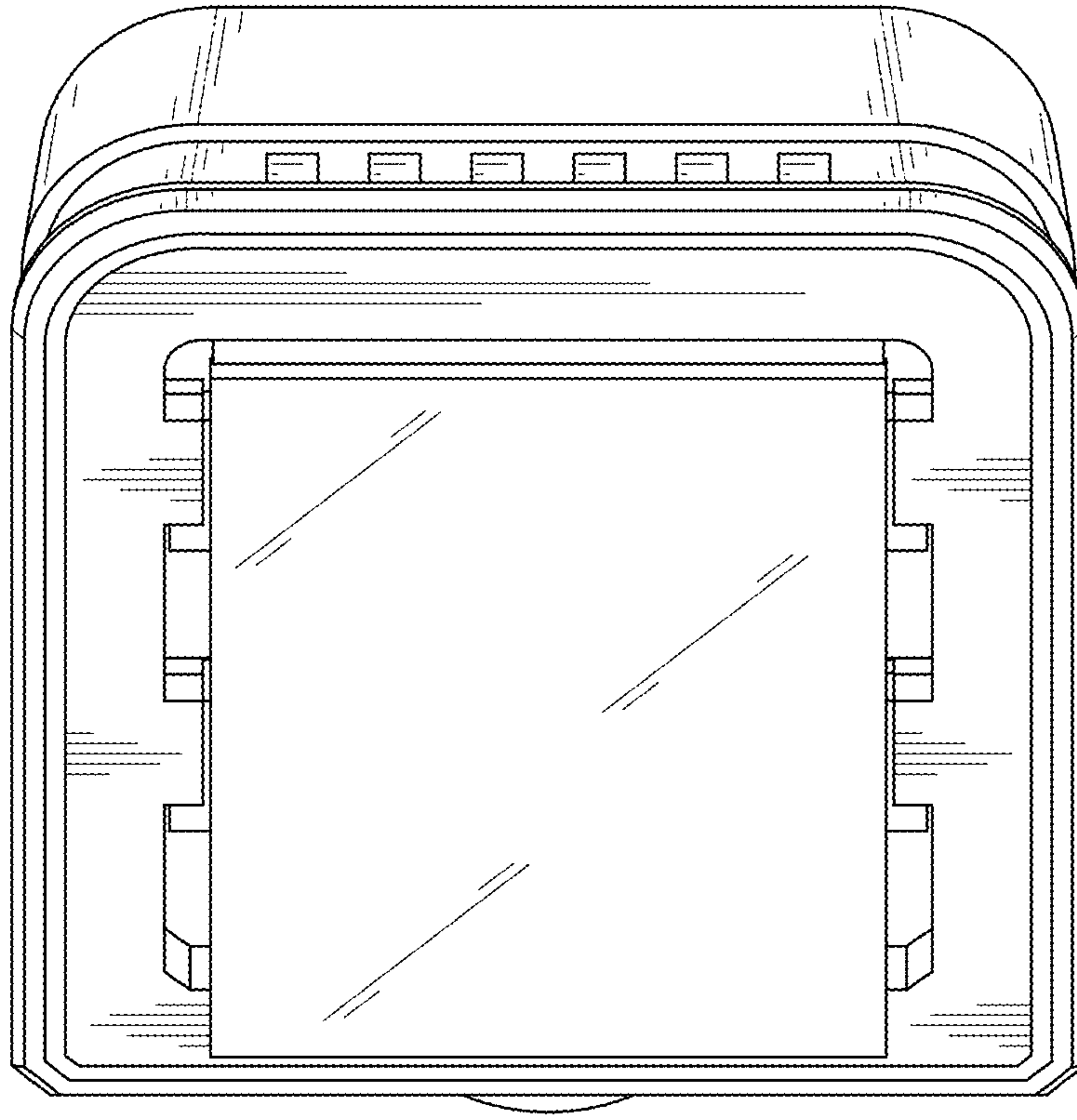


FIG. 7

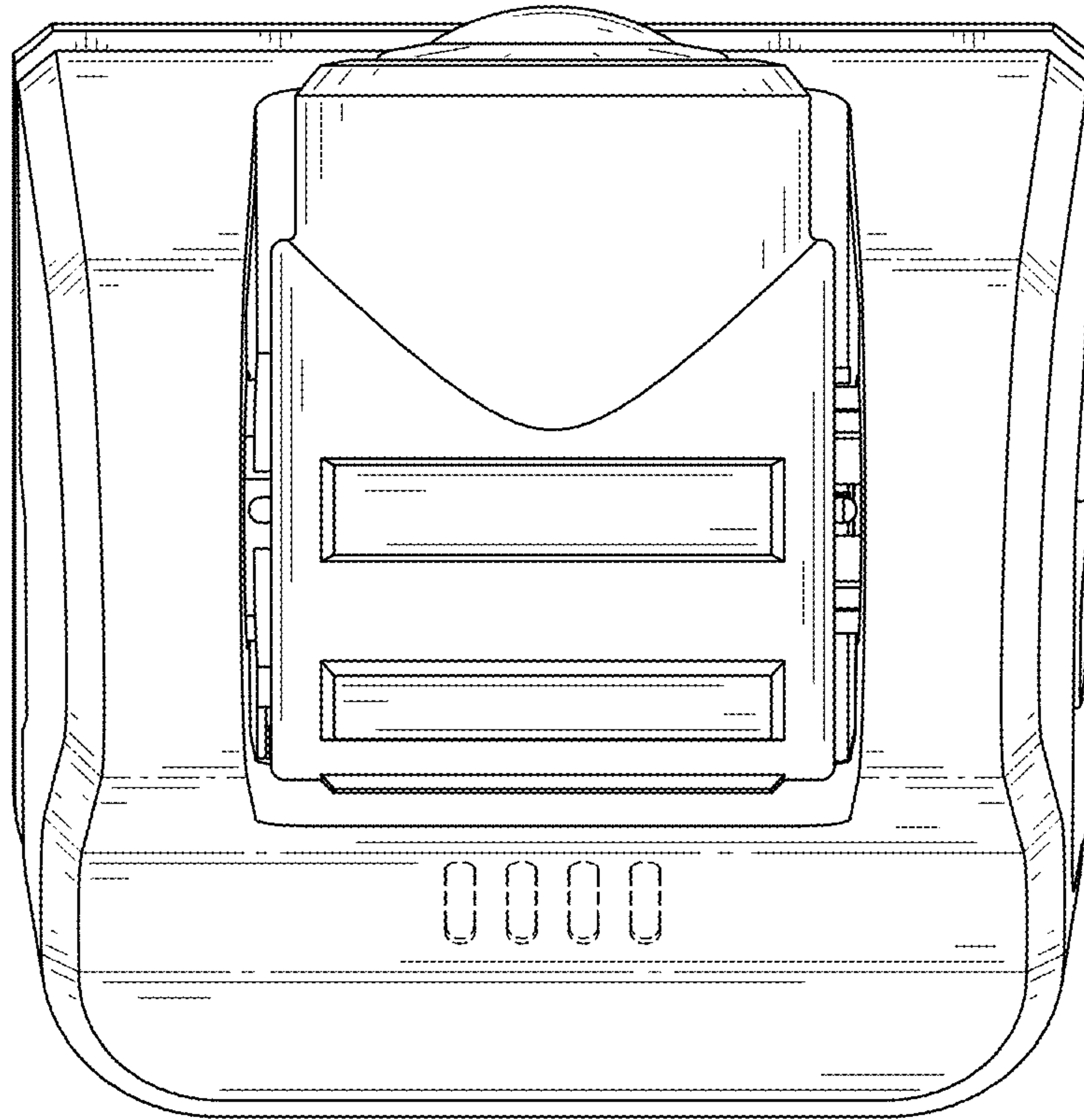


FIG. 8