



US00D849814S

(12) **United States Design Patent**
Huschka

(10) **Patent No.:** **US D849,814 S**

(45) **Date of Patent:** **** May 28, 2019**

(54) **EYEGLASS LENS**

D282,934 S * 3/1986 Marks D16/304
D408,432 S * 4/1999 Jumara D16/306

(71) Applicant: **House of Huschka, Inc.**, Irvine, CA (US)

* cited by examiner

(72) Inventor: **Todd Huschka**, Irvine, CA (US)

Primary Examiner — Michelle E. Wilson

(73) Assignee: **Huschka Vision, LLC**, Irvine, CA (US)

Assistant Examiner — Sanjeev Paul

(**) Term: **15 Years**

(74) *Attorney, Agent, or Firm* — Larry K. Roberts

(21) Appl. No.: **29/576,923**

(57) **CLAIM**

The ornamental design for an eyeglass lens, as shown and described.

(22) Filed: **Sep. 8, 2016**

DESCRIPTION

Related U.S. Application Data

(62) Division of application No. 29/500,419, filed on Aug. 25, 2014, now Pat. No. Des. 766,350.

FIG. 1 is a front perspective environmental view of a pair of eyeglass lenses in accordance with an embodiment of the design;

(51) **LOC (11) Cl.** **16-06**

FIG. 2 is a front perspective view of an eyeglass lens of the embodiment of FIG. 1;

(52) **U.S. Cl.**

USPC **D16/101**

FIG. 3 is a front view of the eyeglass lens of FIG. 2;

(58) **Field of Classification Search**

USPC D16/101, 300–342, 900; D29/109–110; D21/483, 659–661; D14/372; 351/41, 351/44, 45–48, 51–52, 62, 158, 92, 351/103–123, 140–153, 63, 59; 2/13, 15, 2/426–432, 447–449, 441, 434–437

FIG. 4 is a rear view of the eyeglass lens of FIG. 2;

CPC G02C 2200/08; G02C 1/06; G02C 5/14; G02C 11/02; G02C 11/04; G02C 5/16; G02C 2200/22; G02C 5/146; G02C 5/2254; G02C 5/008; G01C 5/16; A61M 2021/0044; A63B 33/002

FIG. 5 is a left view of the eyeglass lens of FIG. 2, with the right side being a mirror image of the left view;

See application file for complete search history.

FIG. 6 is a top view of the eyeglass lens of FIG. 2;

FIG. 7 is a bottom view of the eyeglass lens of FIG. 2;

FIG. 8 is a front perspective environmental view of a pair of eyeglass lenses in accordance with a second embodiment of the design;

FIG. 9 is a front perspective view of an eyeglass lens of the embodiment of FIG. 8;

FIG. 10 is a front view of the eyeglass lens of FIG. 9;

FIG. 11 is a rear view of the eyeglass lens of FIG. 9;

FIG. 12 is a left view of the eyeglass lens of FIG. 9, with the right side being a mirror image of the left view;

FIG. 13 is a top view of the eyeglass lens of FIG. 9; and,

FIG. 14 is a bottom view of the eyeglass lens of FIG. 9.

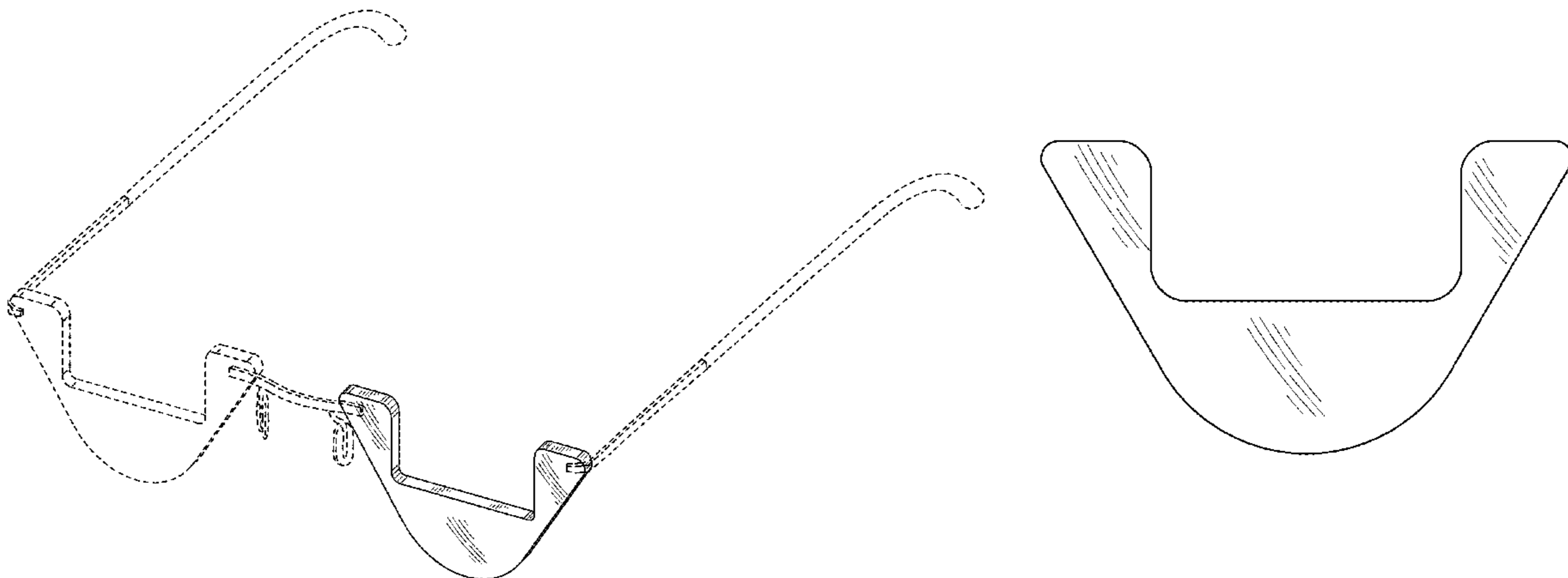
The broken lines shown in FIGS. 1 and 8 are for illustrative purposes only and form no part of the claimed design.

(56) **References Cited**

U.S. PATENT DOCUMENTS

D74,365 S * 2/1928 Giglio D16/326
2,072,593 A * 3/1937 Hill G02C 7/06
D16/101

1 Claim, 6 Drawing Sheets



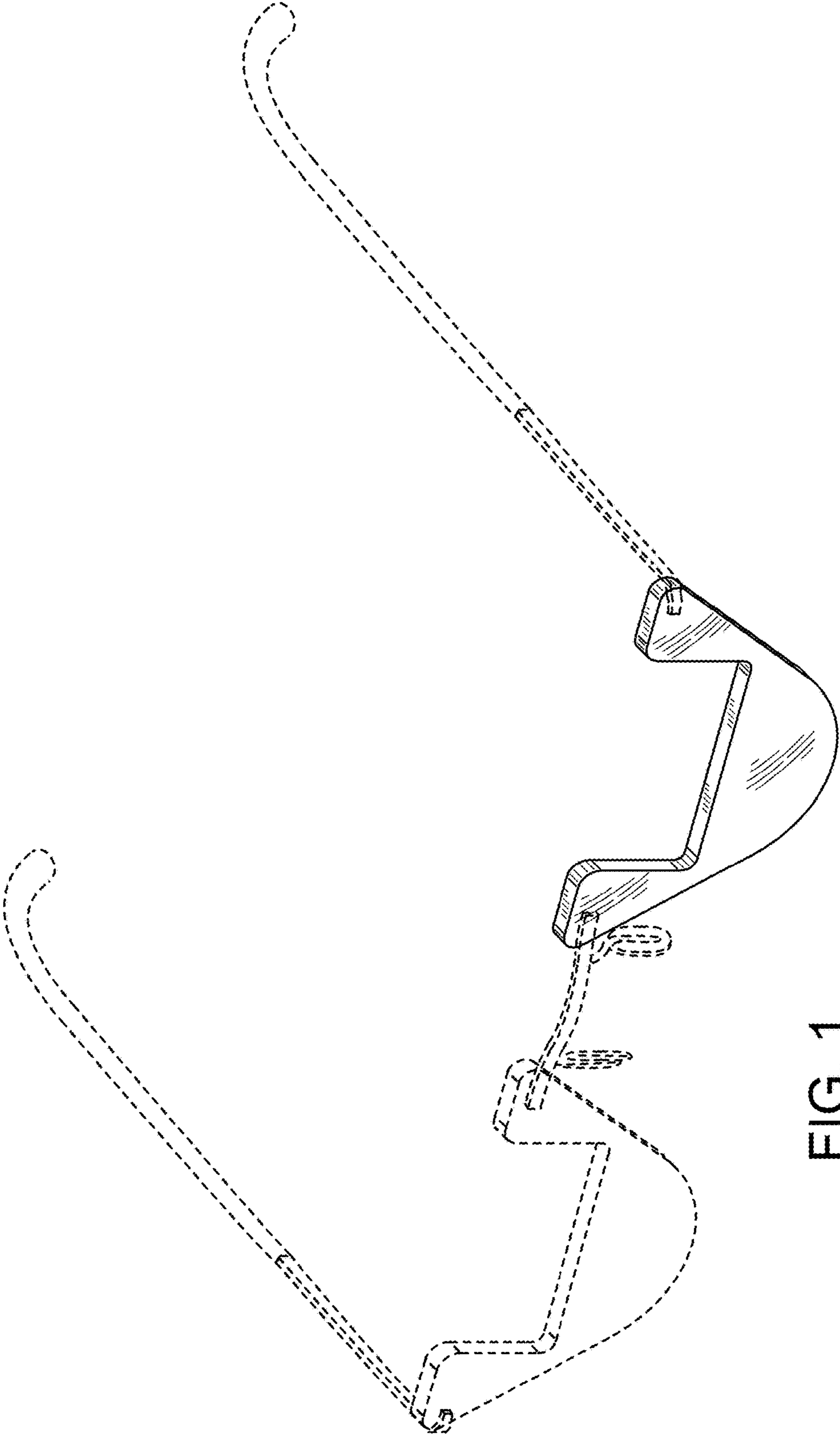


FIG. 1

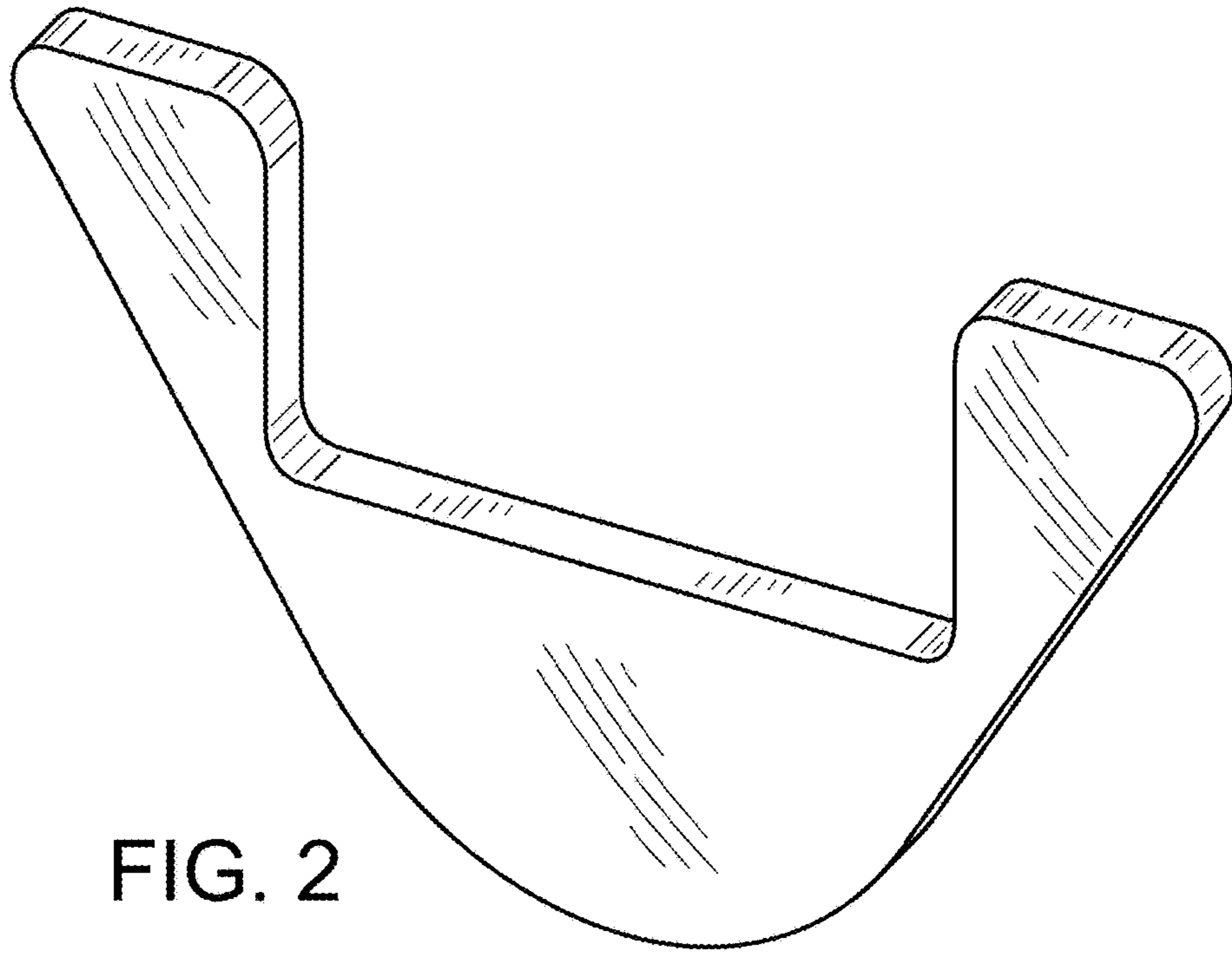


FIG. 2

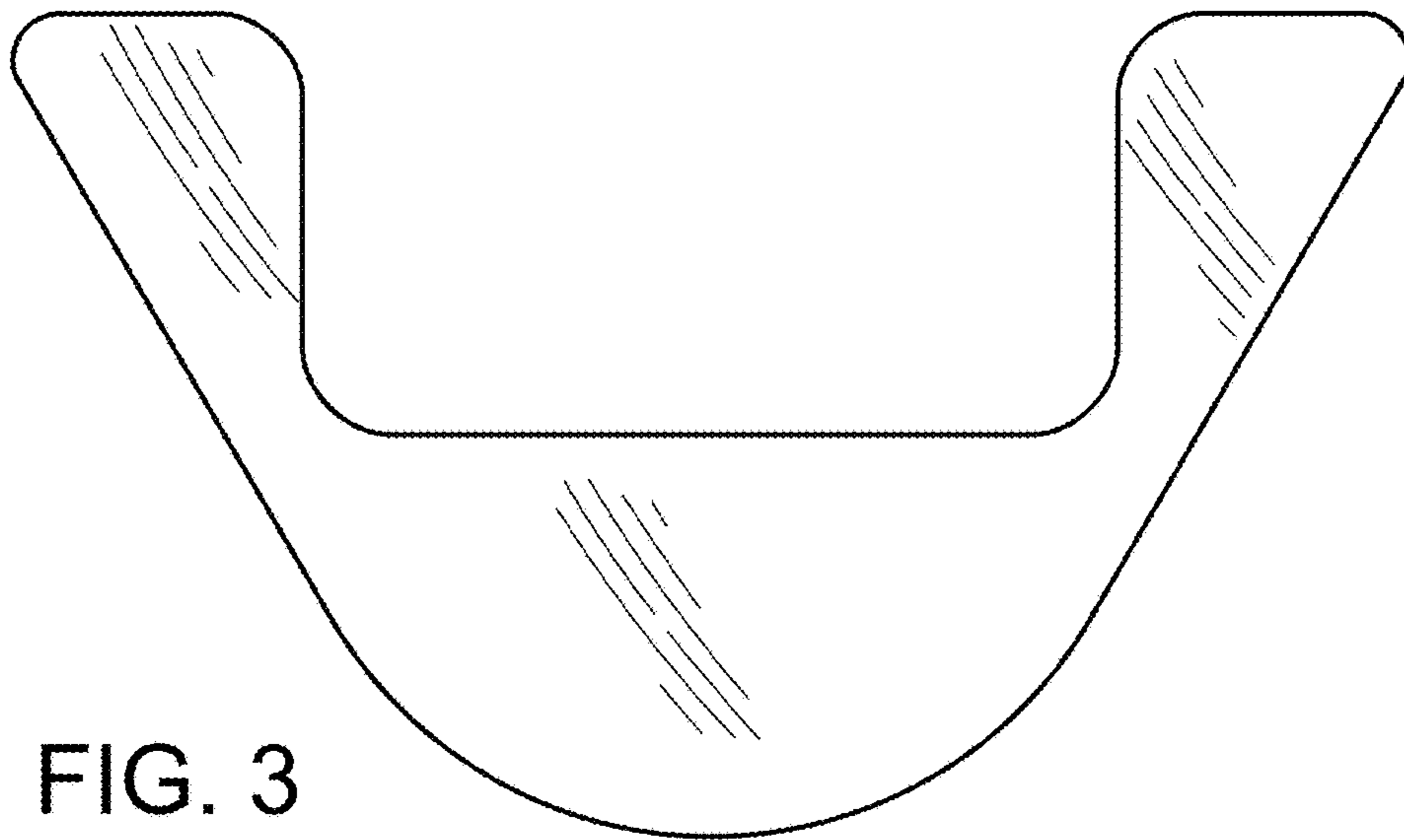


FIG. 3

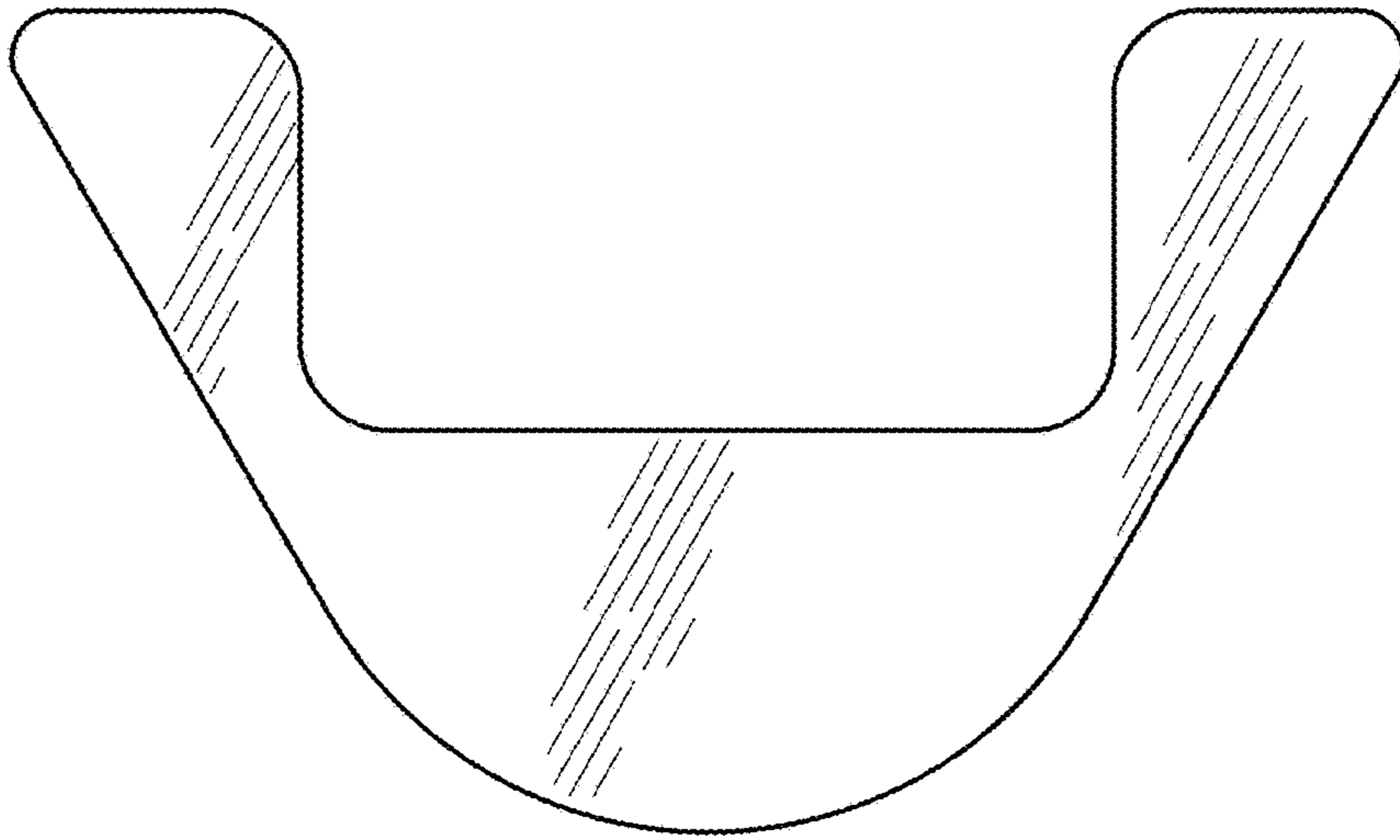


FIG. 4

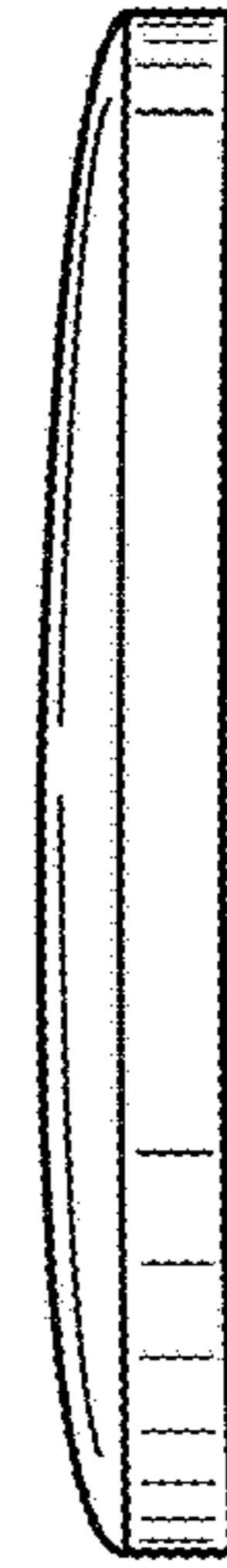


FIG. 5

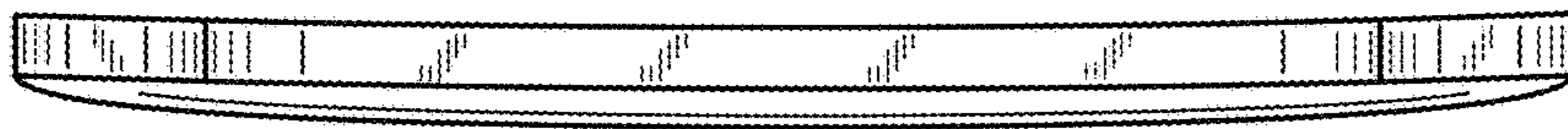


FIG. 6

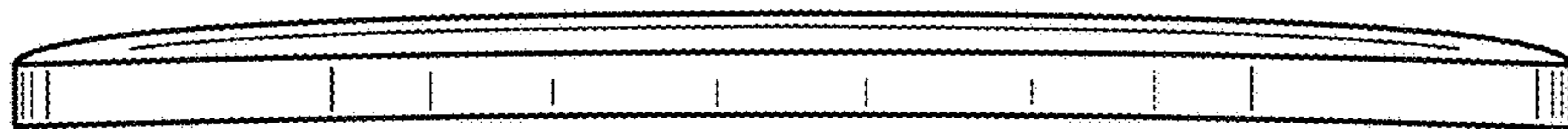


FIG. 7

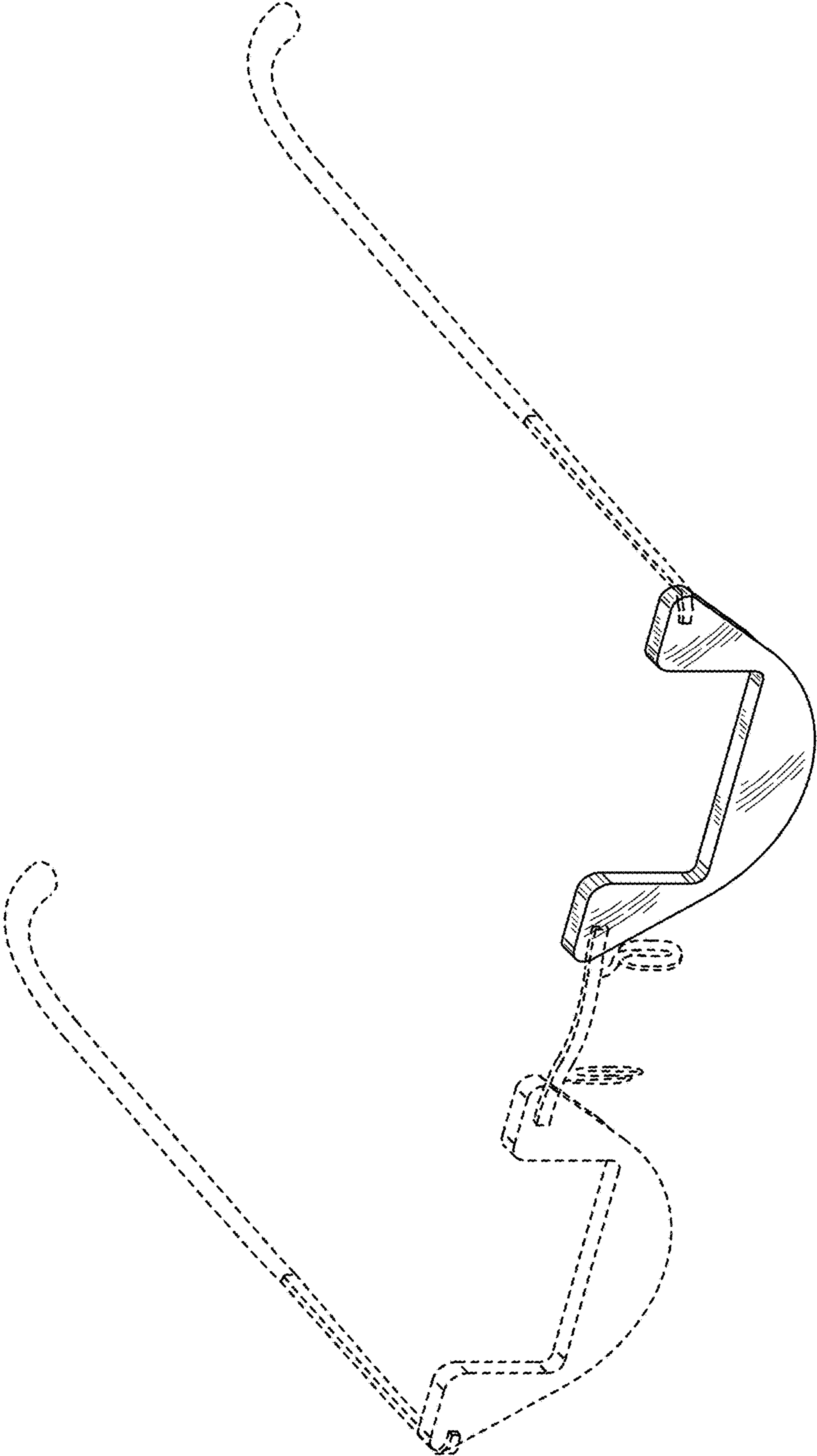


FIG. 8

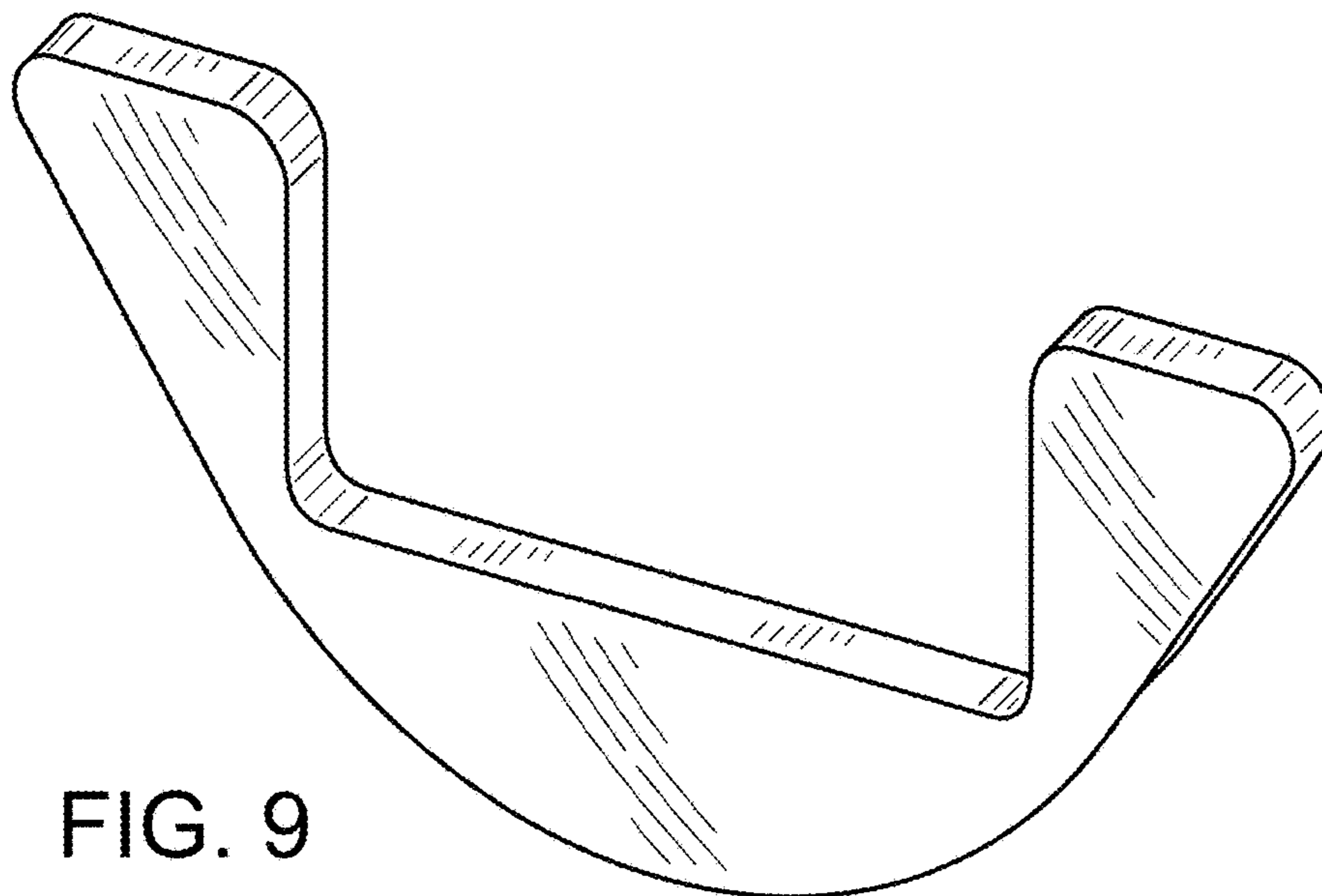


FIG. 9

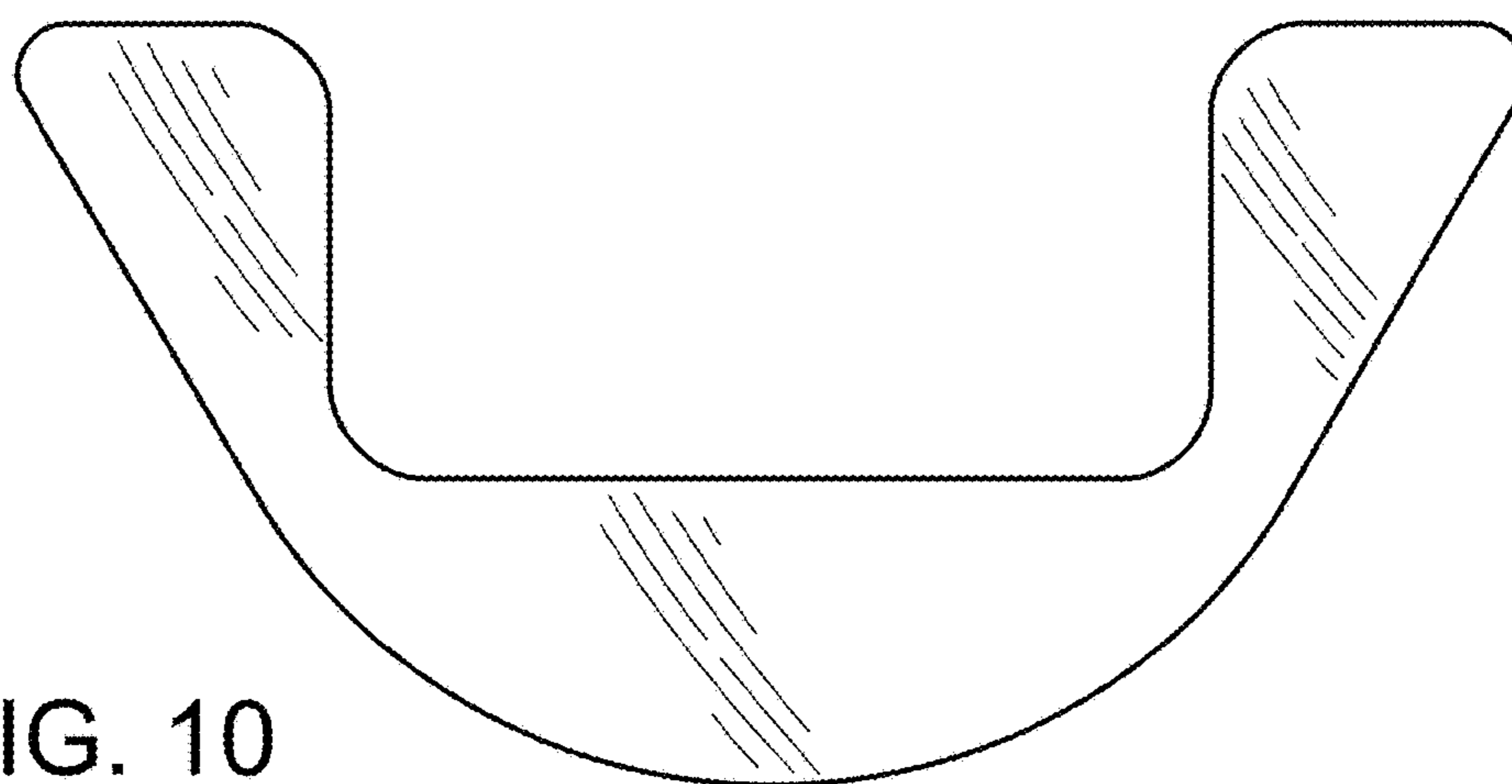


FIG. 10

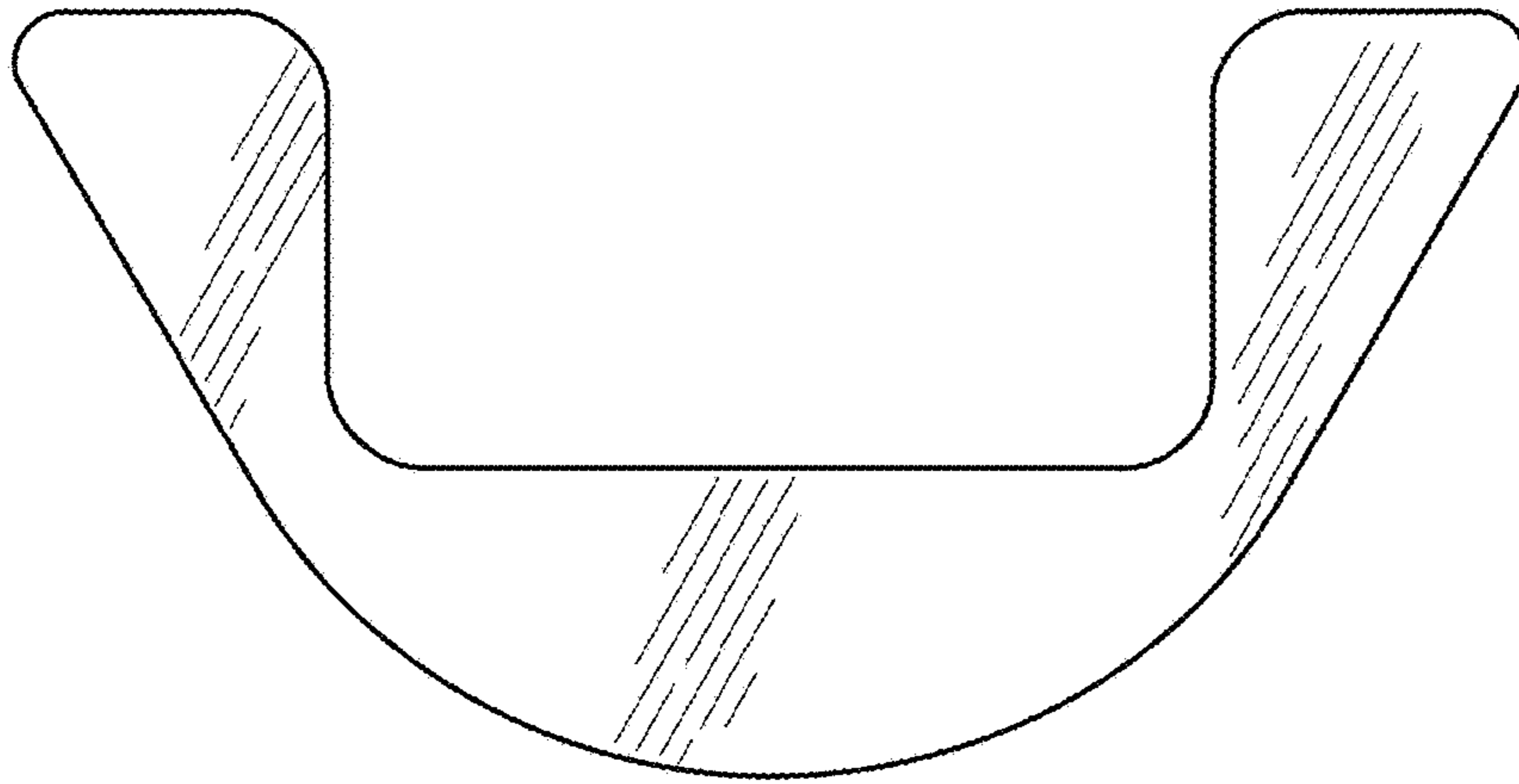


FIG. 11

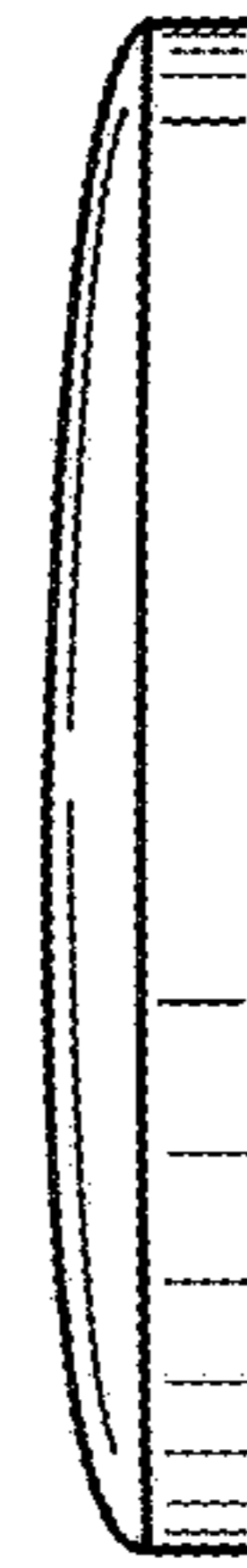


FIG. 12



FIG. 13

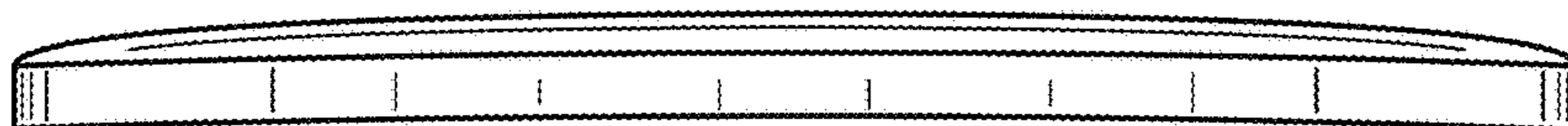


FIG. 14