



US00D849813S

(12) **United States Design Patent** (10) **Patent No.:** **US D849,813 S**
Sutherland et al. (45) **Date of Patent:** **** May 28, 2019**

(54) **MOBILE ROBOT**
(71) Applicant: **CROSSWING INC.**, Markham (CA)
(72) Inventors: **Stephen Sutherland**, Aurora (CA);
Philippe Guillaumont, Oakville (CA)
(73) Assignee: **CrossWing Inc.**, Aurora, ON
(**) Term: **15 Years**
(21) Appl. No.: **29/570,893**
(22) Filed: **Jul. 13, 2016**
(51) **LOC (11) Cl.** **15-99**
(52) **U.S. Cl.**
USPC **D15/199**; D21/578
(58) **Field of Classification Search**
USPC D7/300, 305, 306-311, 397-400;
D10/16, 22, 23, 25, 28; D15/10-13, 22,
D15/199; D20/1, 4, 5, 8; D23/383;
D32/17, 18, 21, 22, 31-34
CPC A63H 11/00; A63H 2200/00; B25J 9/00;
B25J 9/04; G06N 3/00; G06N 3/004;
G06N 3/008
See application file for complete search history.

8,849,679 B2 * 9/2014 Wang H04N 7/185
700/245
D719,620 S * 12/2014 Clerc B25J 5/007
D15/199
D720,378 S * 12/2014 Dye D15/199
D725,166 S * 3/2015 Paik D15/199
(Continued)

FOREIGN PATENT DOCUMENTS

CA 2720886 A1 * 5/2012 B25J 5/007

OTHER PUBLICATIONS

VirtualME, posted on innorobo.com, no posted date given, no production date given, [online], [site visited Aug. 11, 2017], Available from Internet, <URL: <https://innorobo.com/en/exhibitors/crosswing-inc/>>.*

(Continued)

Primary Examiner — Garth Rademaker
Assistant Examiner — Fritzgerald L Butac

(57) **CLAIM**

We claim the ornamental design for a mobile robot, as shown and described.

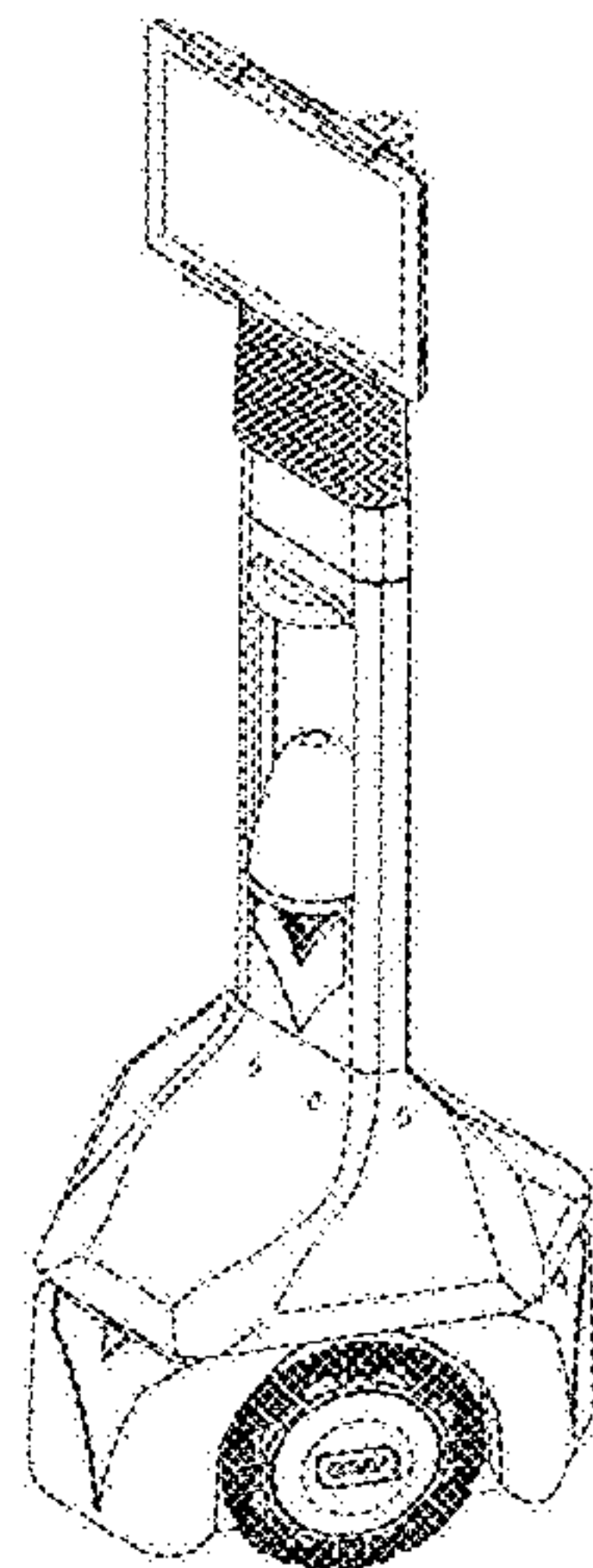
DESCRIPTION

FIG. 1 is a perspective view of a mobile robot, showing our new design;
FIG. 2 is a front view thereof;
FIG. 3 is a left side view thereof;
FIG. 4 is a rear view thereof;
FIG. 5 is a right side view thereof;
FIG. 6 is a top view, on an enlarged scale thereof; and,
FIG. 7 is a bottom view, on an enlarged scale thereof.
The broken lines in FIG. 7 represent portions of the mobile robot that form no part of the claimed design. The dashed broken lines indicate the boundary between claimed and unclaimed areas.

1 Claim, 7 Drawing Sheets

(56) **References Cited**
U.S. PATENT DOCUMENTS

D563,443 S * 3/2008 Ahn D15/199
D566,737 S * 4/2008 Matsuda D15/199
D594,492 S * 6/2009 Stratton D15/199
D603,114 S * 10/2009 Warburton D32/21
D605,115 S * 12/2009 Starck D13/115
D663,333 S * 7/2012 Kitano D15/199
D663,334 S * 7/2012 Kitano D15/199
8,306,664 B1 * 11/2012 Wiley B25J 5/007
280/304
D675,656 S * 2/2013 Sutherland D15/199
D693,446 S * 11/2013 Preston B01L 7/02
D23/314
8,788,096 B1 * 7/2014 Sokol B25J 5/007
280/298



(56)

References Cited

U.S. PATENT DOCUMENTS

D726,836	S *	4/2015	Song	D15/199
9,014,848	B2 *	4/2015	Farlow	B25J 11/009 700/245
D732,096	S *	6/2015	Jang	D15/199
D735,258	S *	7/2015	Jang	D15/199
D739,450	S *	9/2015	Jain	D15/199
RE45,933	E *	3/2016	Ediger	D21/667
D765,180	S *	8/2016	Huang	D20/5
D766,644	S *	9/2016	Huang	D15/199
9,498,886	B2 *	11/2016	Rosenstein	B25J 5/007
D781,945	S *	3/2017	Uno	D15/199
D793,145	S *	8/2017	Huang	D15/199
2010/0191373	A1 *	7/2010	Kim	G06N 3/008 700/250
2012/0182392	A1 *	7/2012	Kearns	B25J 11/009 348/46
2013/0226344	A1 *	8/2013	Wong	G05D 1/024 700/258
2015/0088310	A1 *	3/2015	Pinter	G06Q 50/22 700/253
2015/0190927	A1 *	7/2015	Sutherland	B25J 9/1689 700/259

OTHER PUBLICATIONS

The National Home Show Innovation Pavilion features the best new smart home devices, posted on venturelab.ca, posted Mar. 2, 2017, no production date given, [online], [site visited Aug. 11, 2017], Available from Internet, <URL: <https://www.venturelab.ca/national-home-show-innovation-pavilion-features-best-new-smart-home-devices/>>.*

The VGO Robot Attends Work or School While You Stay Home, posted on digitaltrends.com, Posted May 9, 2012, no production date given, [online], [site visited Aug. 11, 2017], Available from Internet, <URL: <https://www.digitaltrends.com/cool-tech/the-vgo-robot-attends-work-or-school-while-you-stay-home/>>.*

BeamPro, posted on bepresent.in, no posted date given, no production date given, [online], [site visited Aug. 11, 2017], Available from Internet, <URL: <http://bepresent.in/beam-pro/>>.*

* cited by examiner

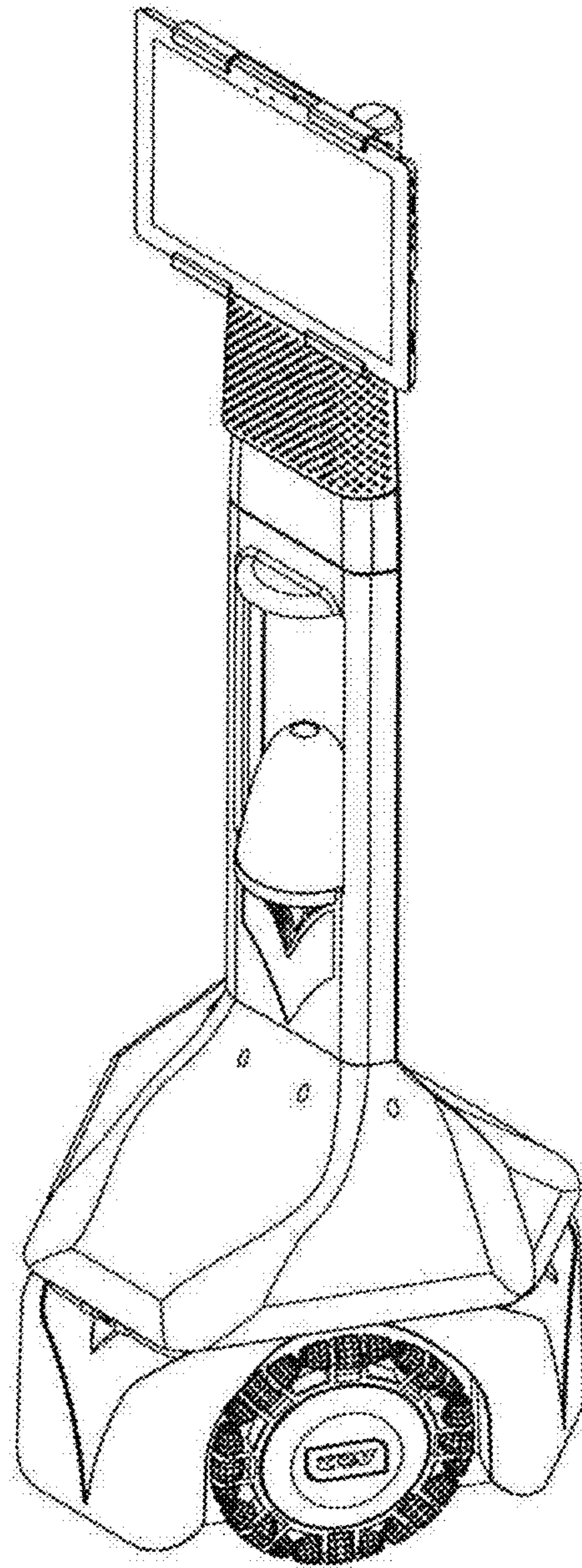


FIG. 1

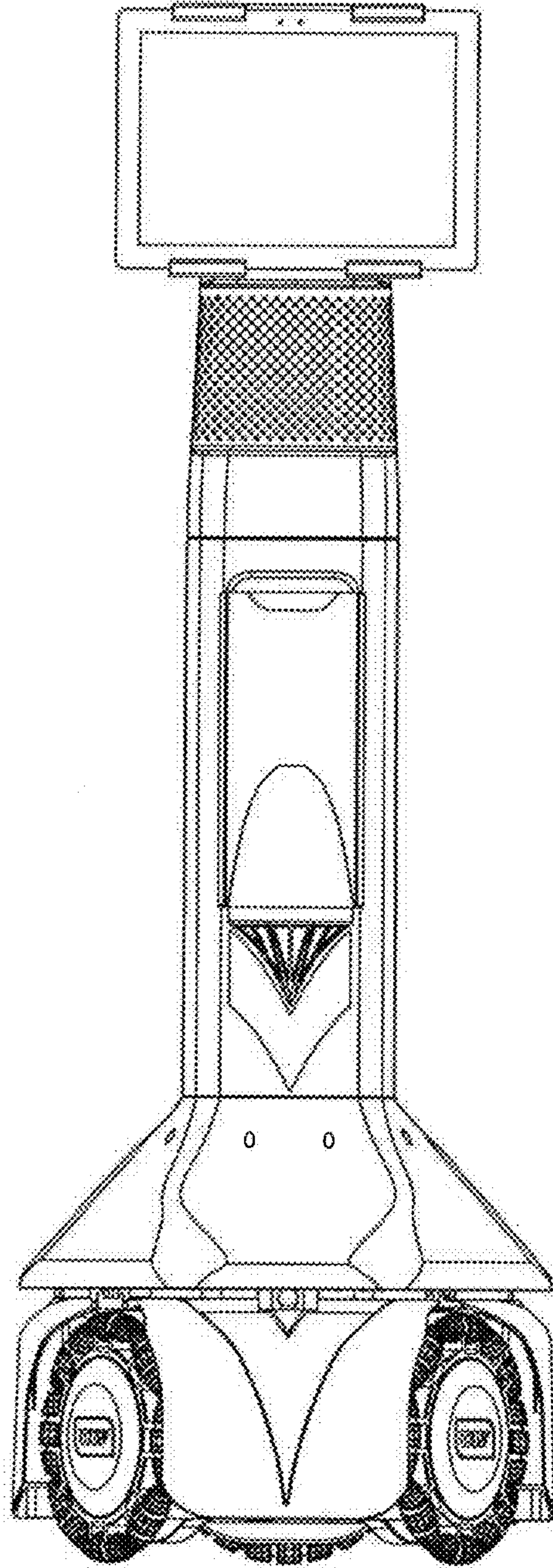


FIG. 2

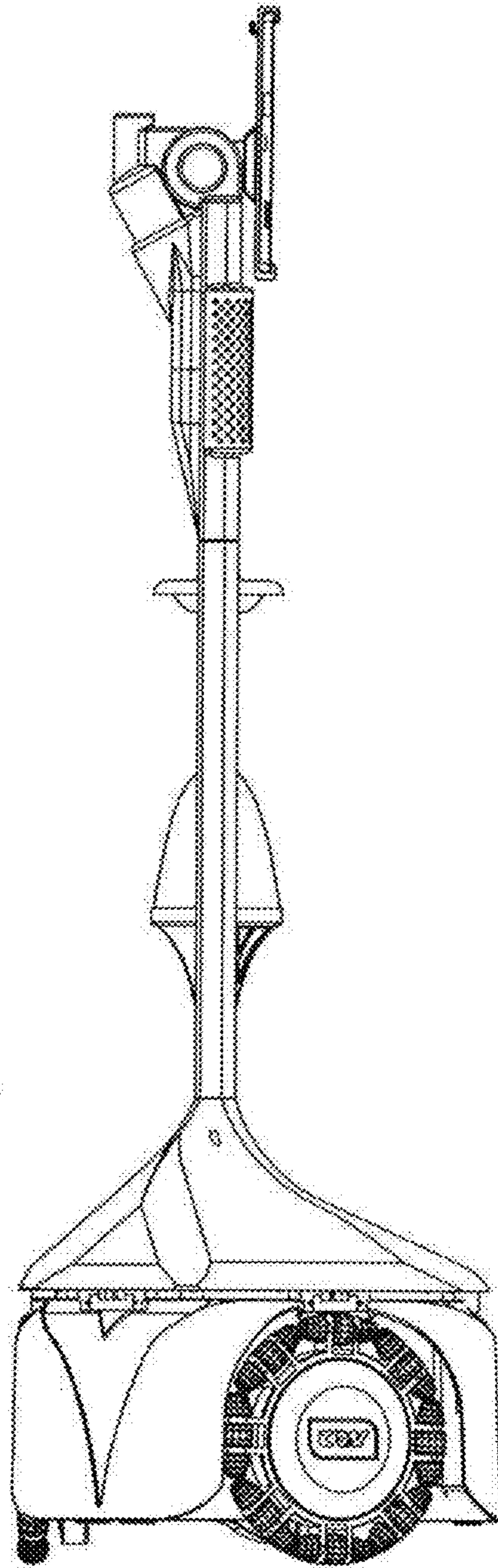


FIG. 3

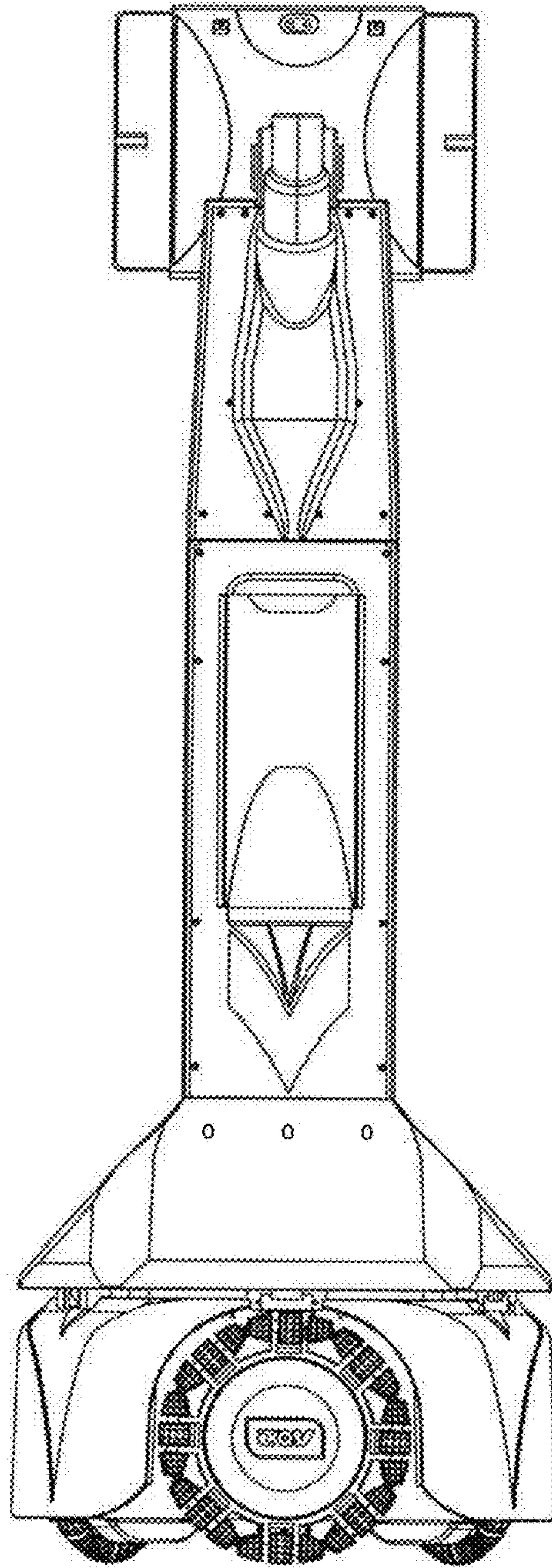


FIG. 4

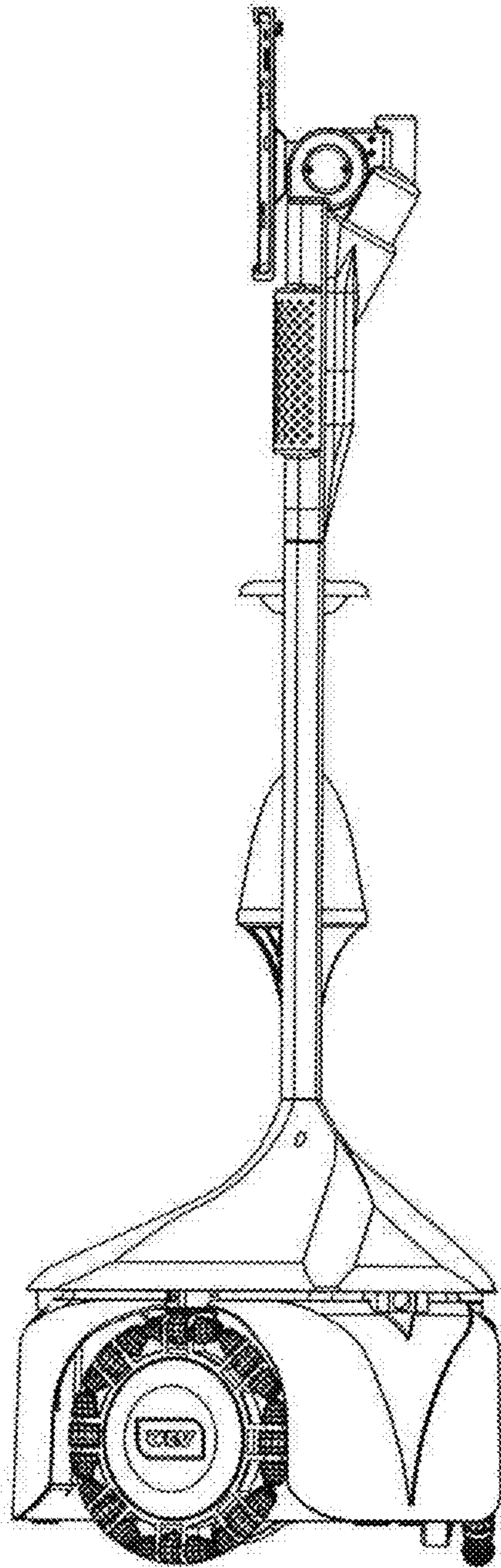


FIG. 5

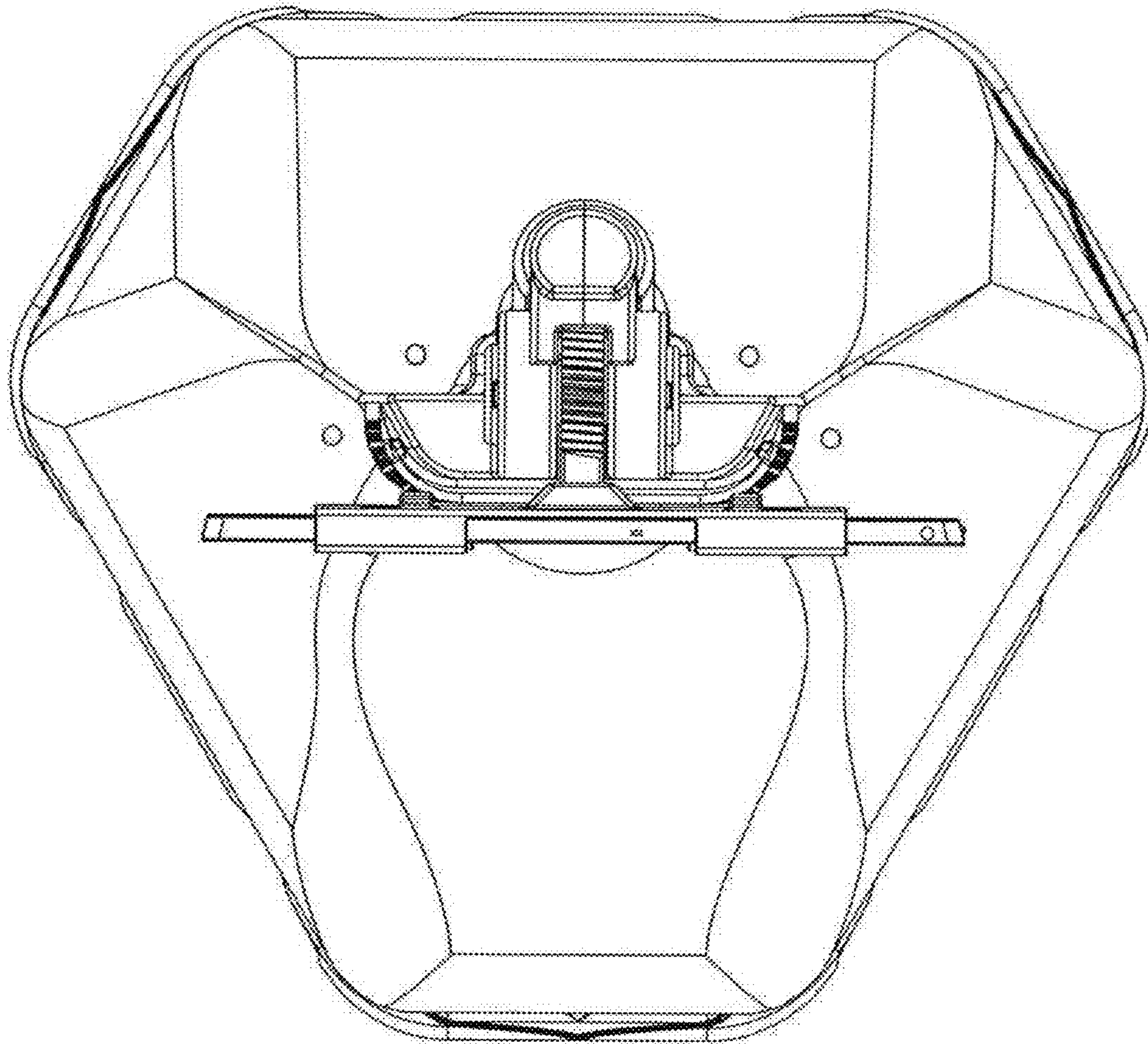


FIG. 6

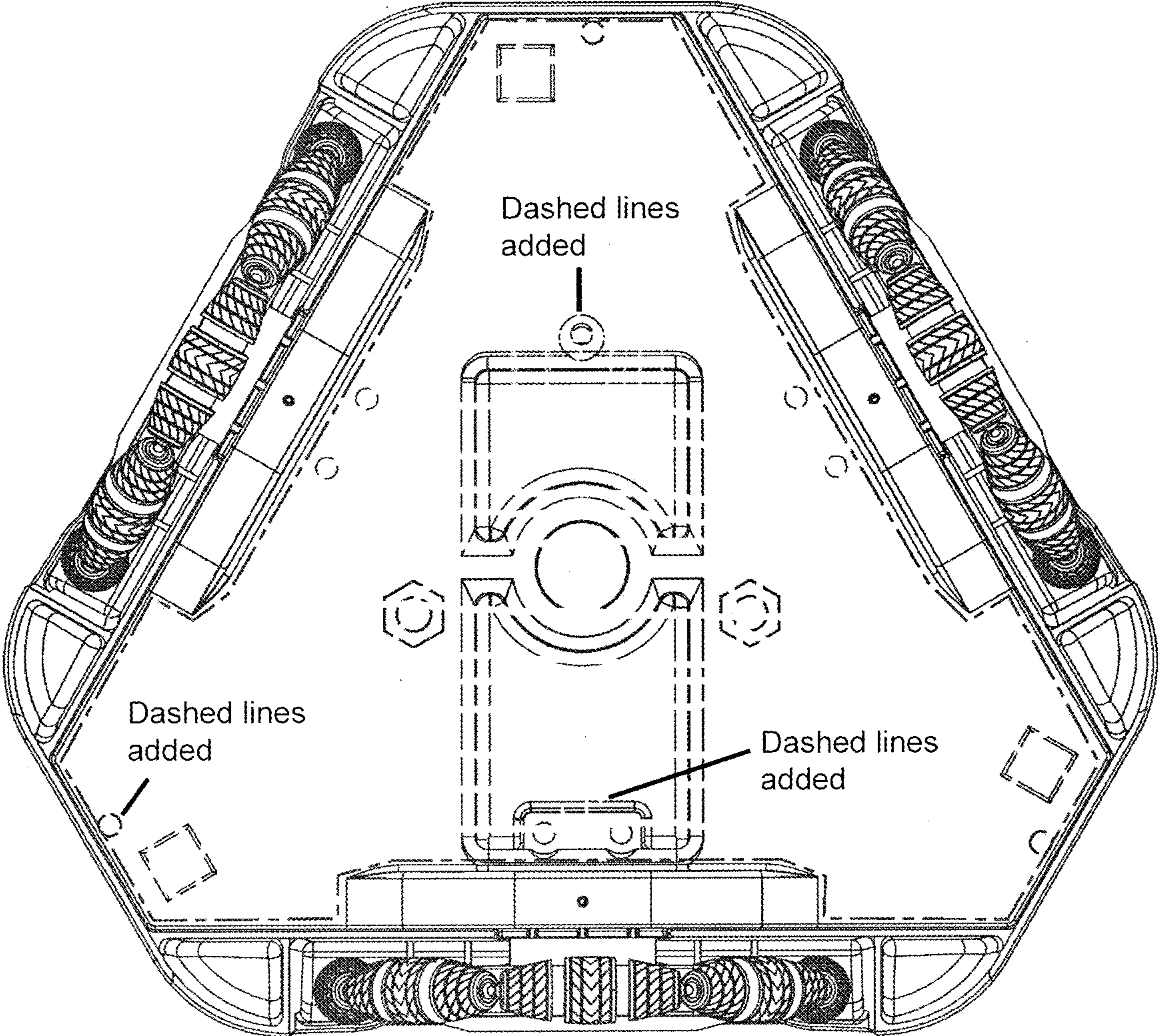


FIG. 7