



US00D849812S

(12) **United States Design Patent** (10) **Patent No.:** **US D849,812 S**  
**Sonnenberg et al.** (45) **Date of Patent:** **\*\* May 28, 2019**

(54) **DIP STICK HOUSING CLOSURE**

(57) **CLAIM**

(71) Applicant: **RB Distribution, Inc.**, Colmar, PA (US)

The ornamental design for a dip stick housing closure, as shown and described.

(72) Inventors: **Trevor Sonnenberg**, Hatfield, PA (US); **Jerry Hall**, Colmar, PA (US); **Emily Lafferty**, Colmar, PA (US)

**DESCRIPTION**

(73) Assignee: **RB Distribution, Inc.**, Colmar, PA (US)

FIG. 1 is a perspective view of our dip stick housing closure showing the environment of use;

(\*\*) Term: **15 Years**

FIG. 2 is an exploded front perspective of our dip stick housing closure in FIG. 1 in the open condition;

(21) Appl. No.: **29/641,687**

FIG. 3 is a front elevation of our dip stick housing closure in FIG. 1;

(22) Filed: **Mar. 23, 2018**

FIG. 4 is a rear elevation of our dip stick housing closure in FIG. 1;

(51) **LOC (11) Cl.** ..... **15-99**

FIG. 5 is a right side elevation of our dip stick housing closure in FIG. 1;

(52) **U.S. Cl.**

FIG. 6 is a left side elevation of our dip stick housing closure in FIG. 1;

USPC ..... **D15/150**

(58) **Field of Classification Search**

FIG. 7 is a top plan view of our dip stick housing closure in FIG. 1;

USPC ..... D15/9.1, 150, 151, 152

CPC ..... F16D 13/74; F16D 48/02; F16D 25/12;

FIG. 8 is a bottom plan view of our dip stick housing closure in FIG. 1;

F16D 25/14; F16D 25/123; F16D

25/0638; F16D 2048/0221; G01F 23/04

FIG. 9 is a perspective view of our dip stick housing closure in the closed condition;

See application file for complete search history.

FIG. 10 is a front elevation of our dip stick housing closure in FIG. 9; the rear elevation is the mirror image of FIG. 10;

(56) **References Cited**

**U.S. PATENT DOCUMENTS**

D33,252 S *	9/1900	Miller	.....	D15/150
D42,911 S *	8/1912	Cannon	.....	D15/150
1,307,734 A *	6/1919	Gullborg	.....	F17C 5/00
				141/382
2,314,430 A *	3/1943	Smith	.....	G01F 23/04
				116/67 R
D193,110 S *	6/1962	McDonald	.....	D15/9.1
3,371,418 A	3/1968	Moeller		
3,662,470 A	5/1972	Sasgen		

(Continued)

FIG. 11 is a right side elevation of the dip stick housing closure in FIG. 9; the left side elevation is the mirror image of FIG. 11;

FIG. 12 is a top plan view of the dip stick housing closure in FIG. 9;

FIG. 13 is a bottom plan view of our dip stick housing closure in FIG. 9; and,

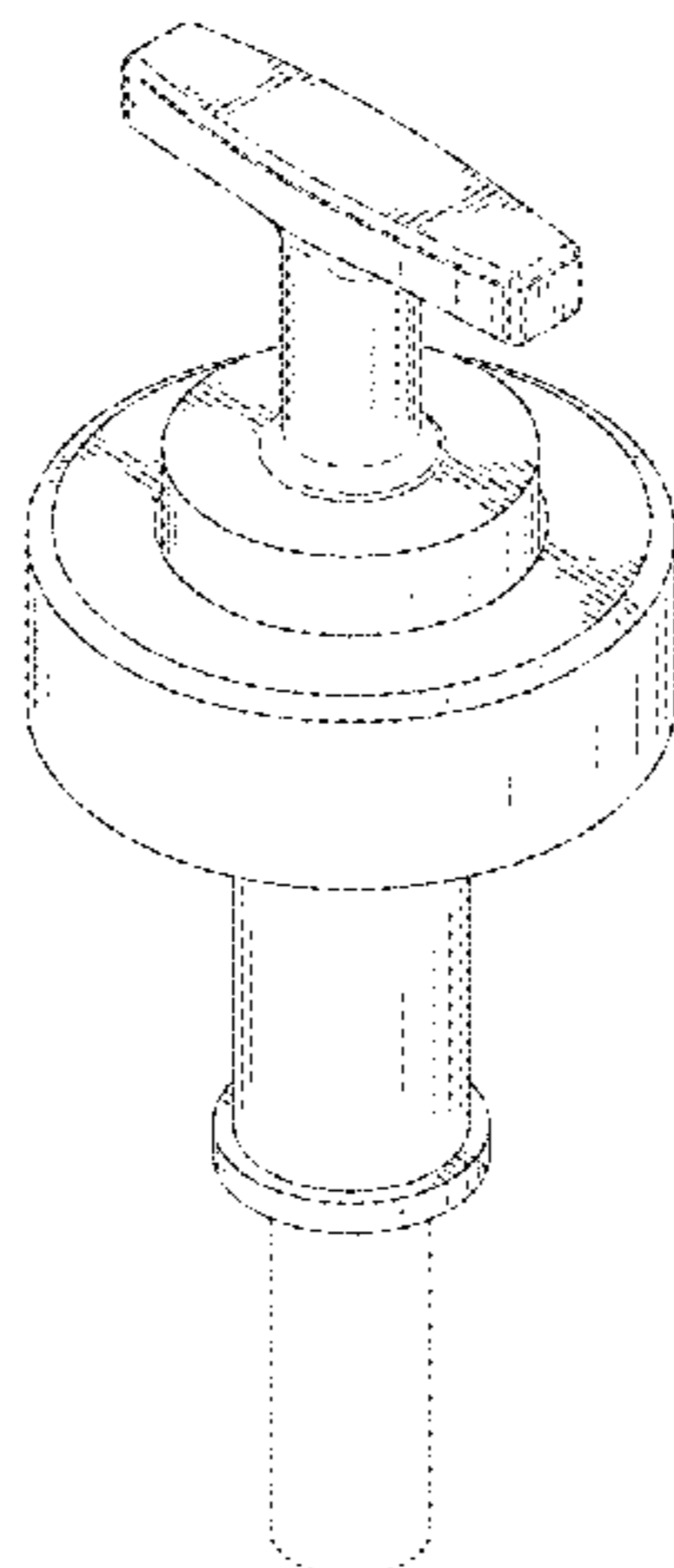
FIG. 14 is a section view illustrating the closed condition of our dip stick housing closure.

The broken line showing in the drawings is included for the purpose of illustrating environment and forms no part of the claimed design for our dip stick housing closure in FIG. 9.

*Primary Examiner* — Patricia A Palasik

(74) *Attorney, Agent, or Firm* — Volpe and Koenig, P.C.

**1 Claim, 12 Drawing Sheets**





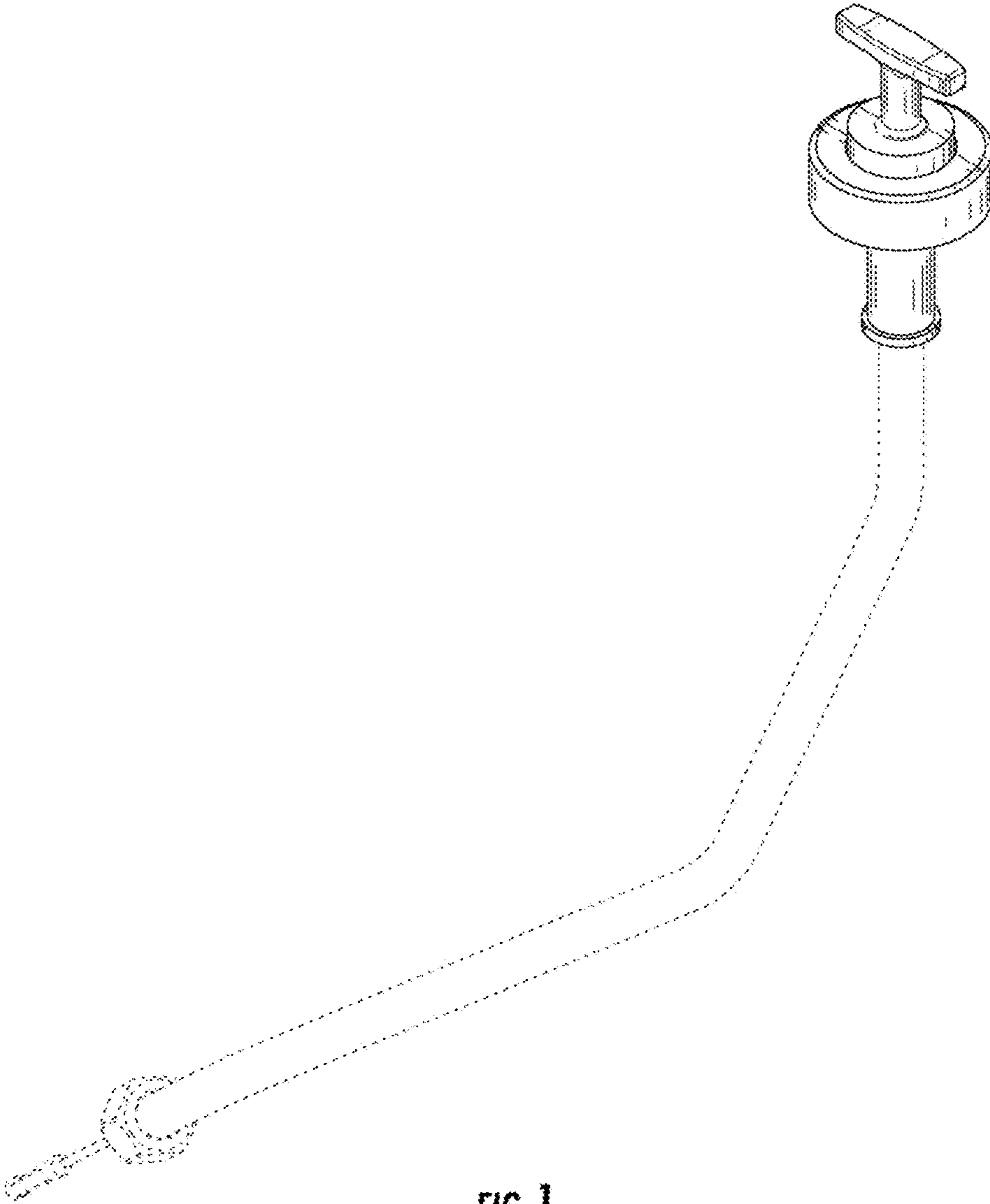


FIG. 1

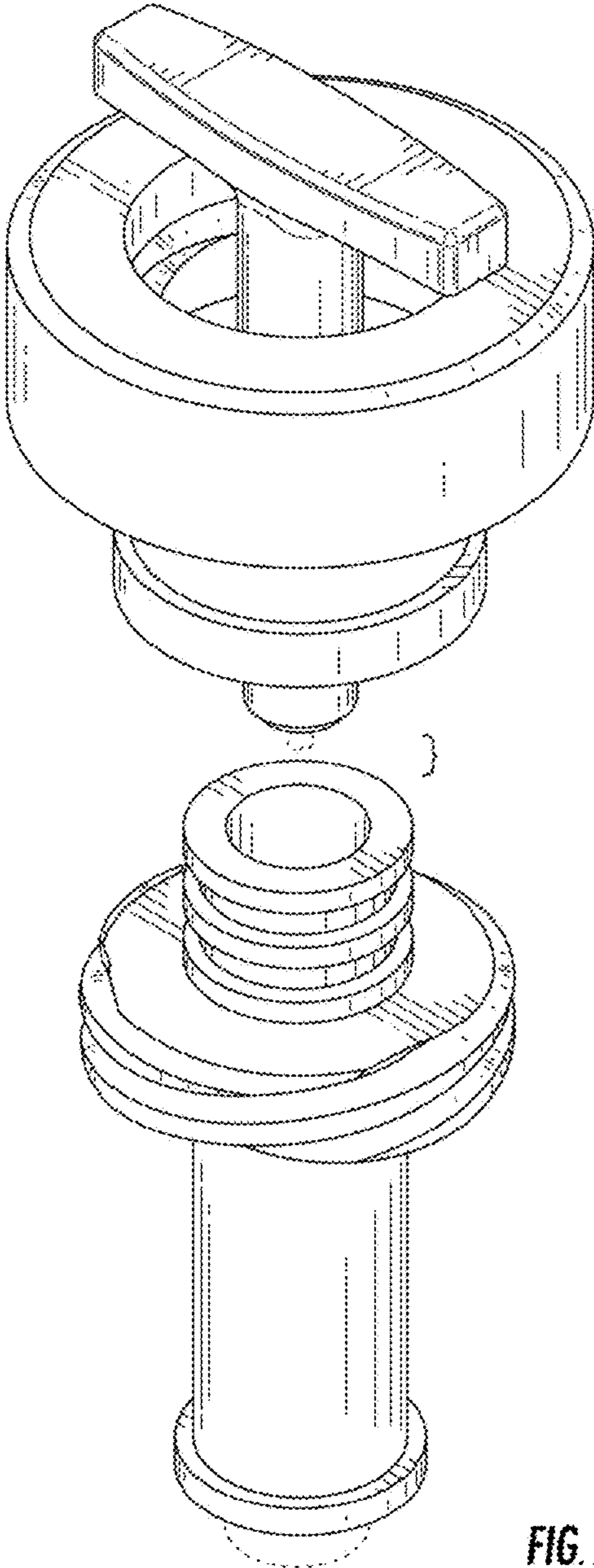
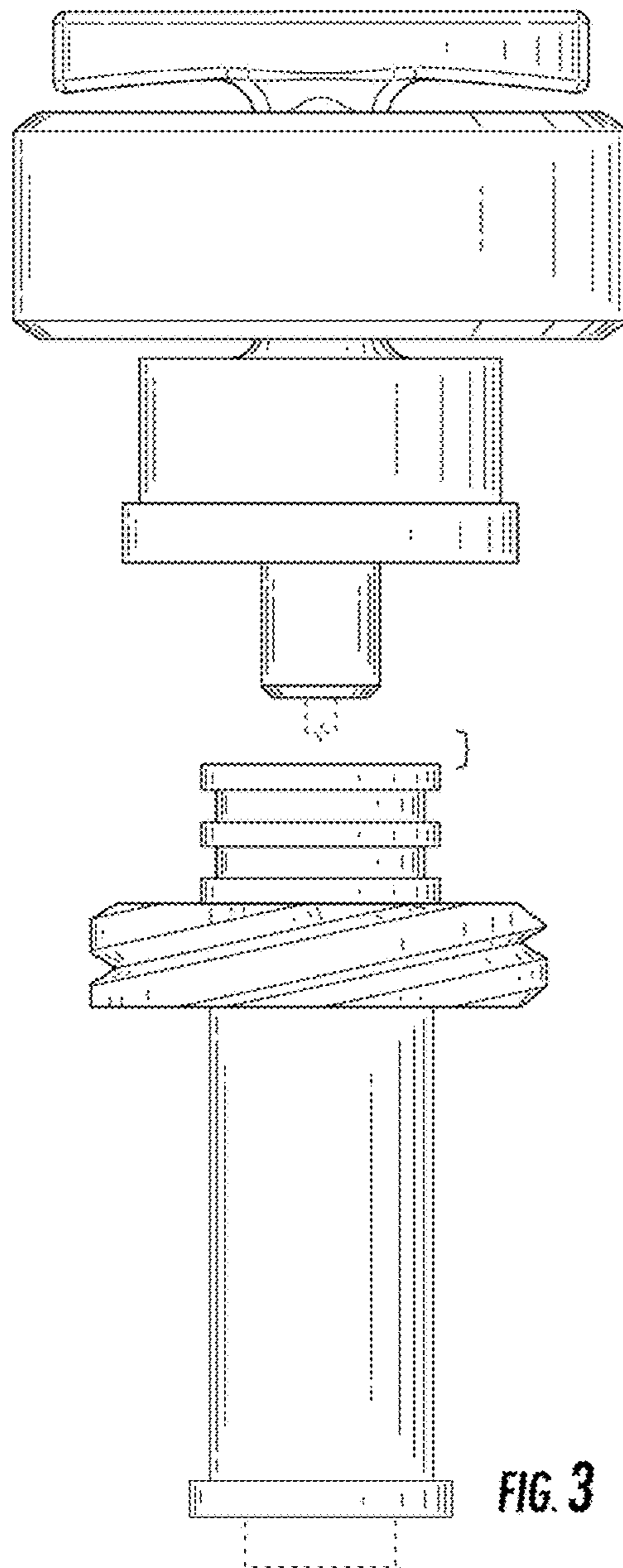


FIG. 2



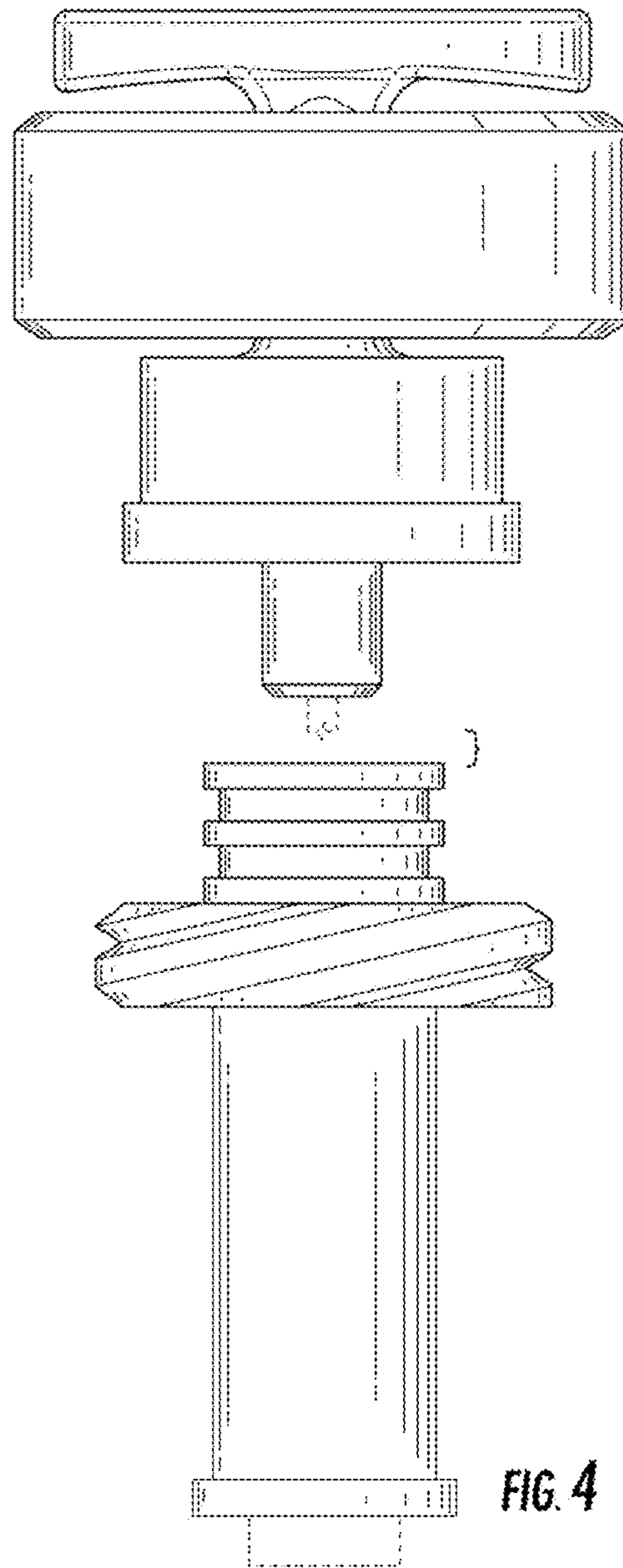


FIG. 4

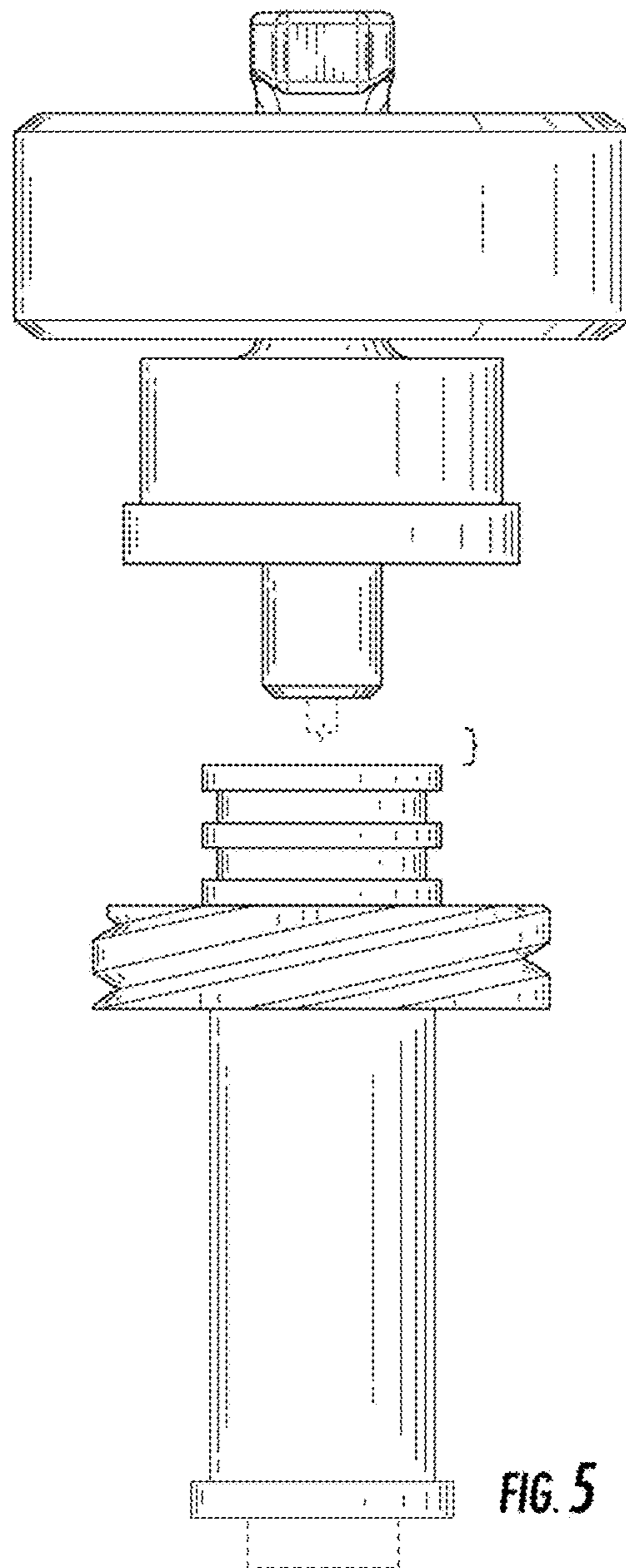


FIG. 5

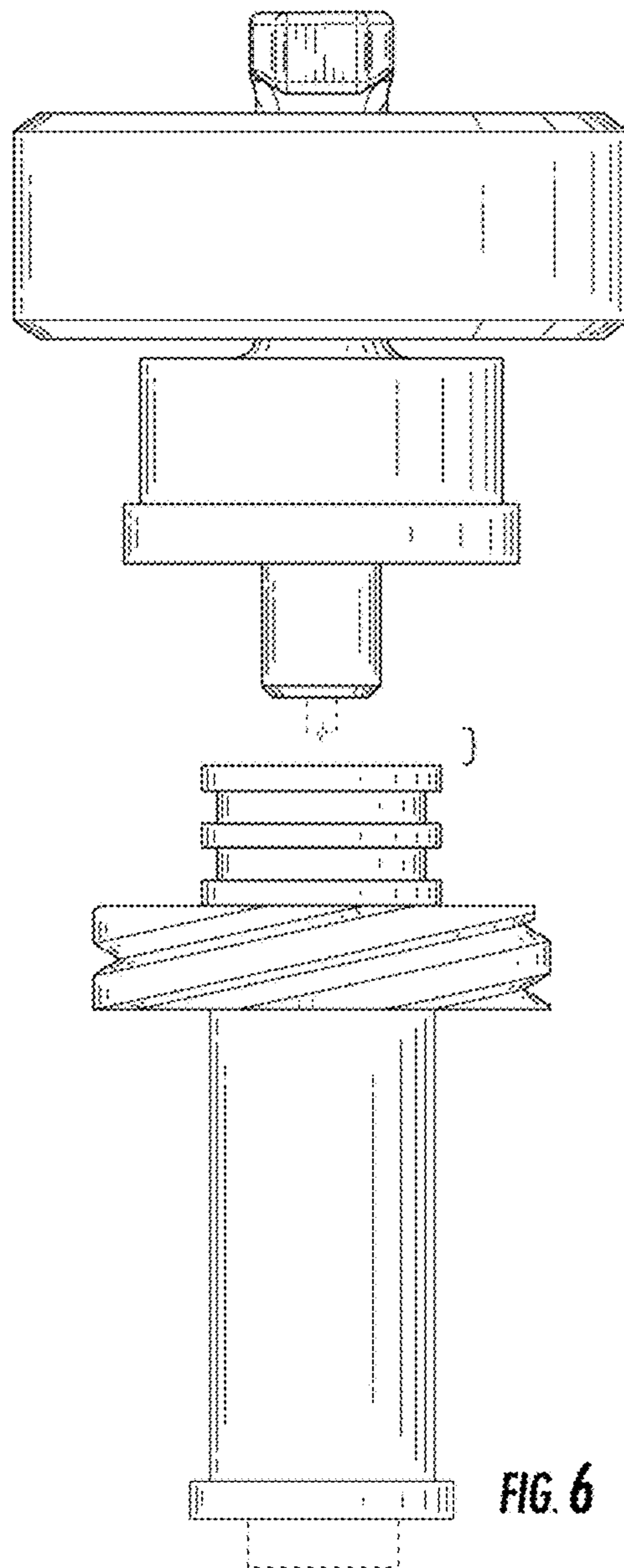


FIG. 6



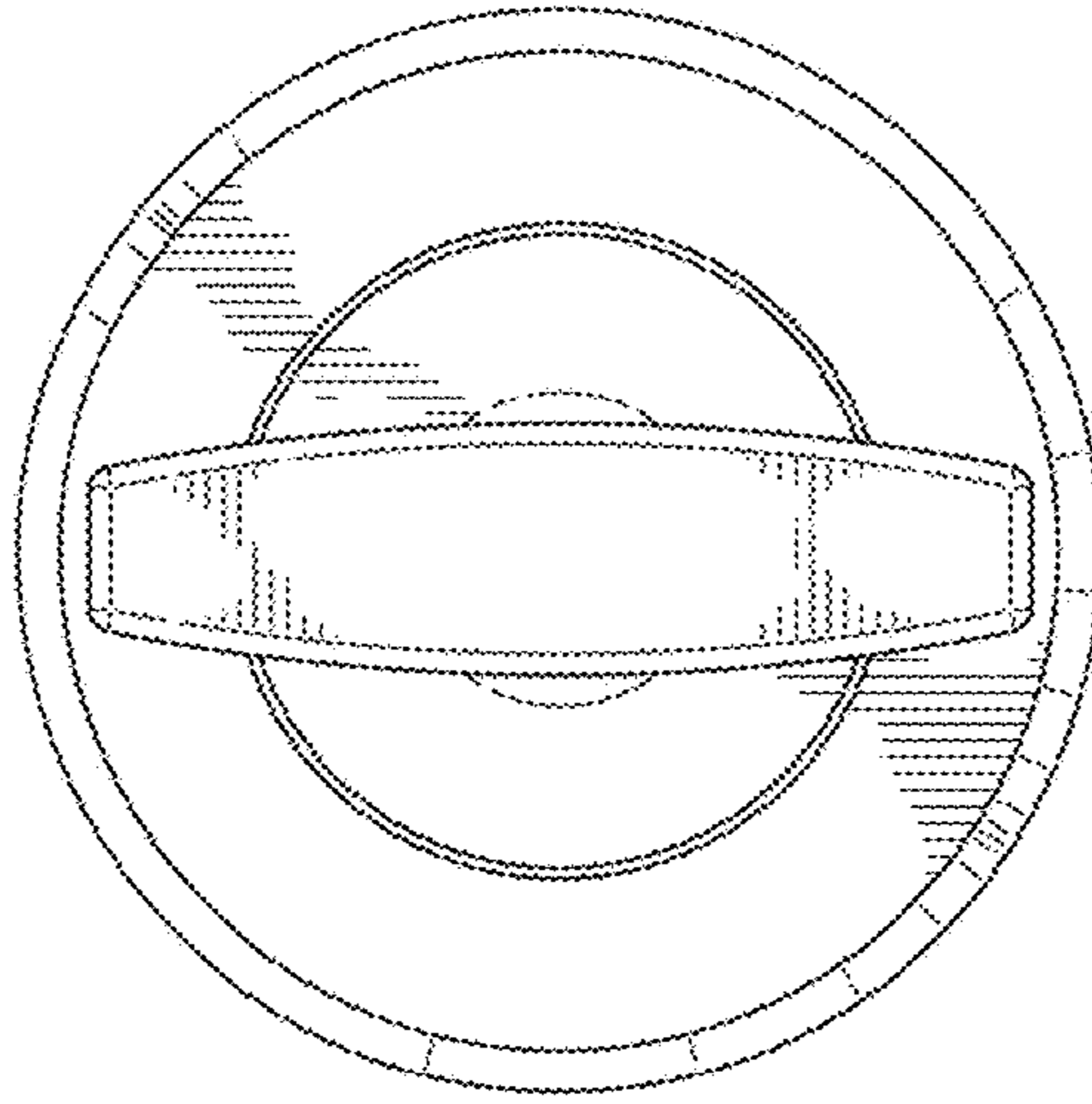


FIG. 7

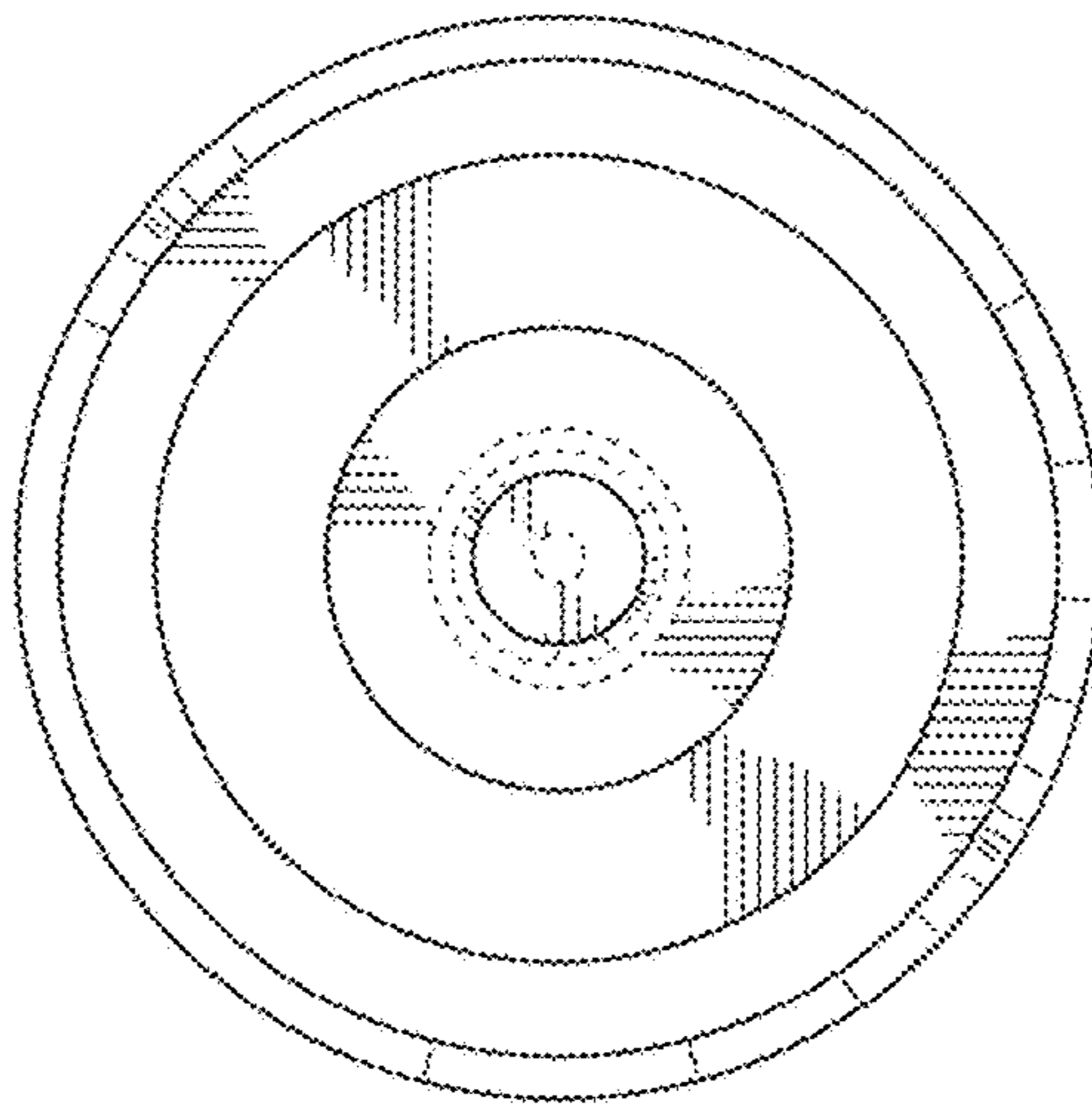


FIG. 8

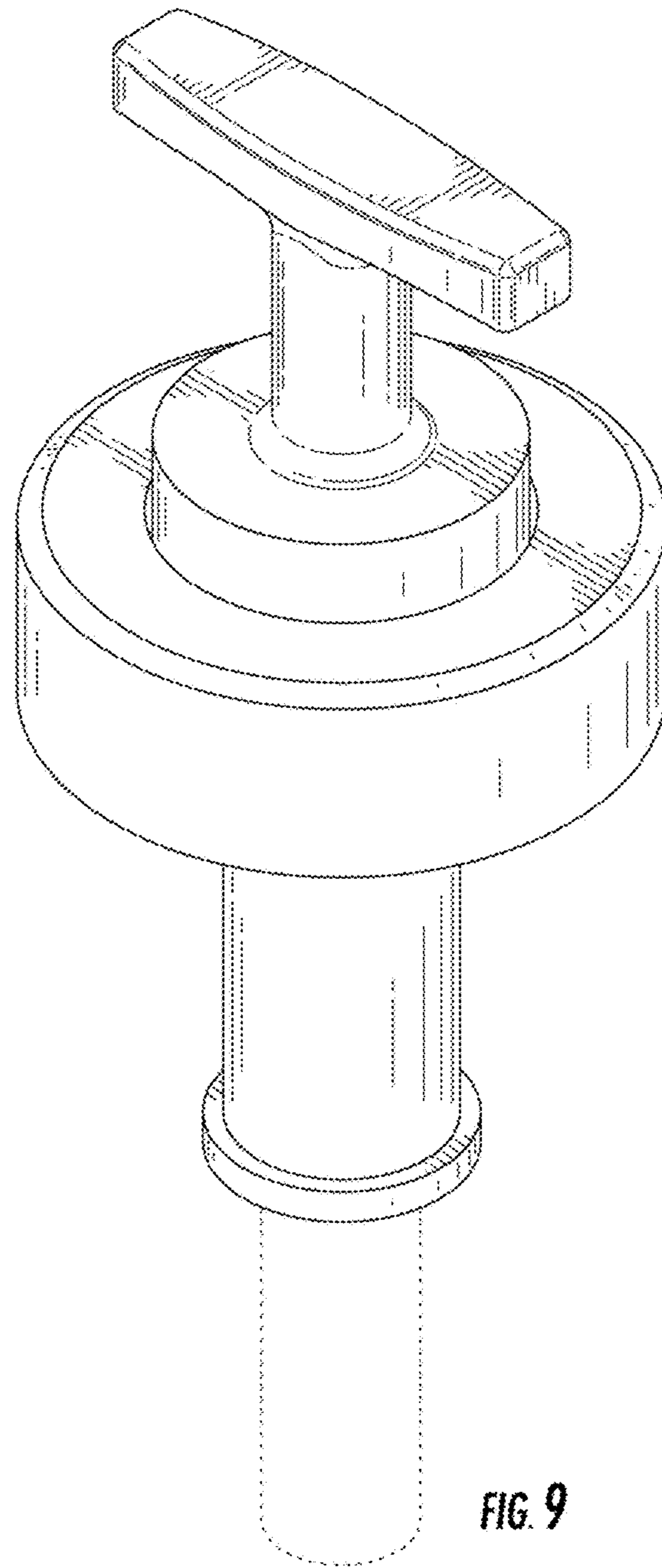
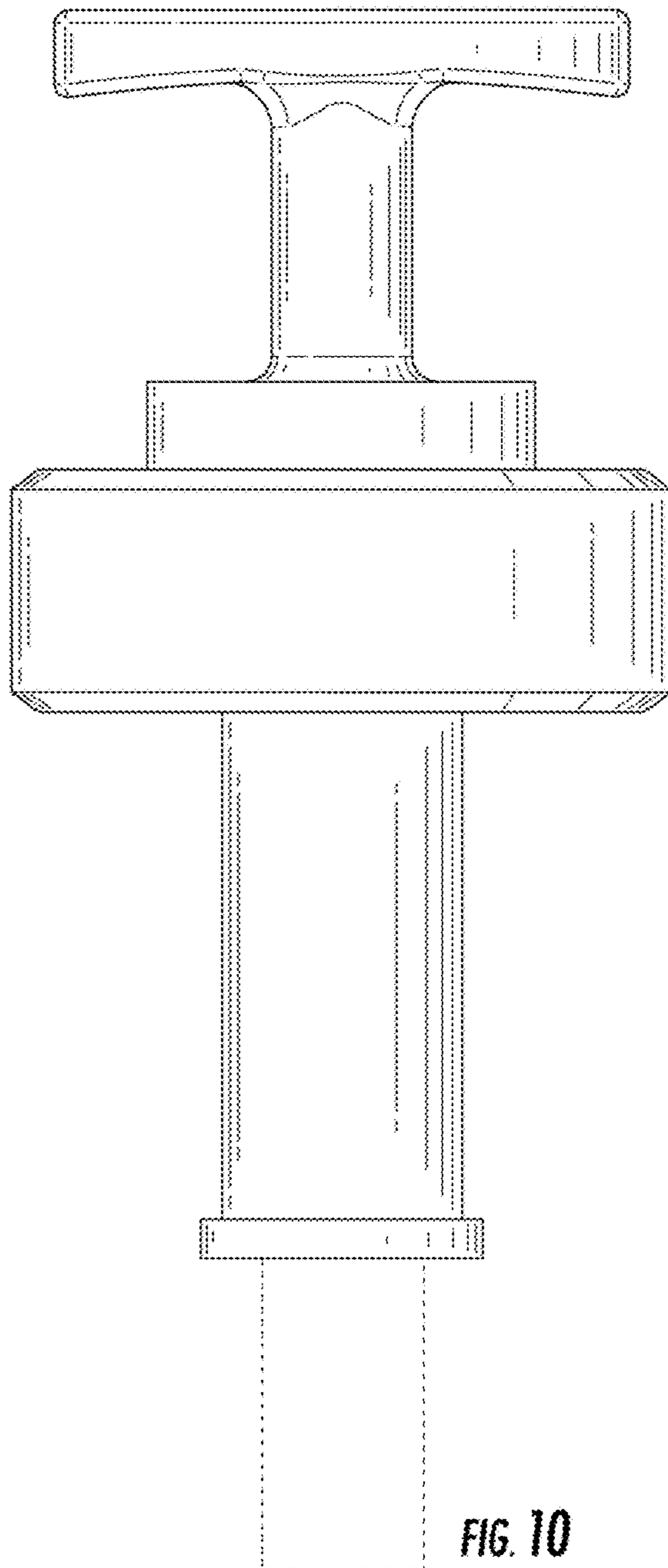


FIG. 9



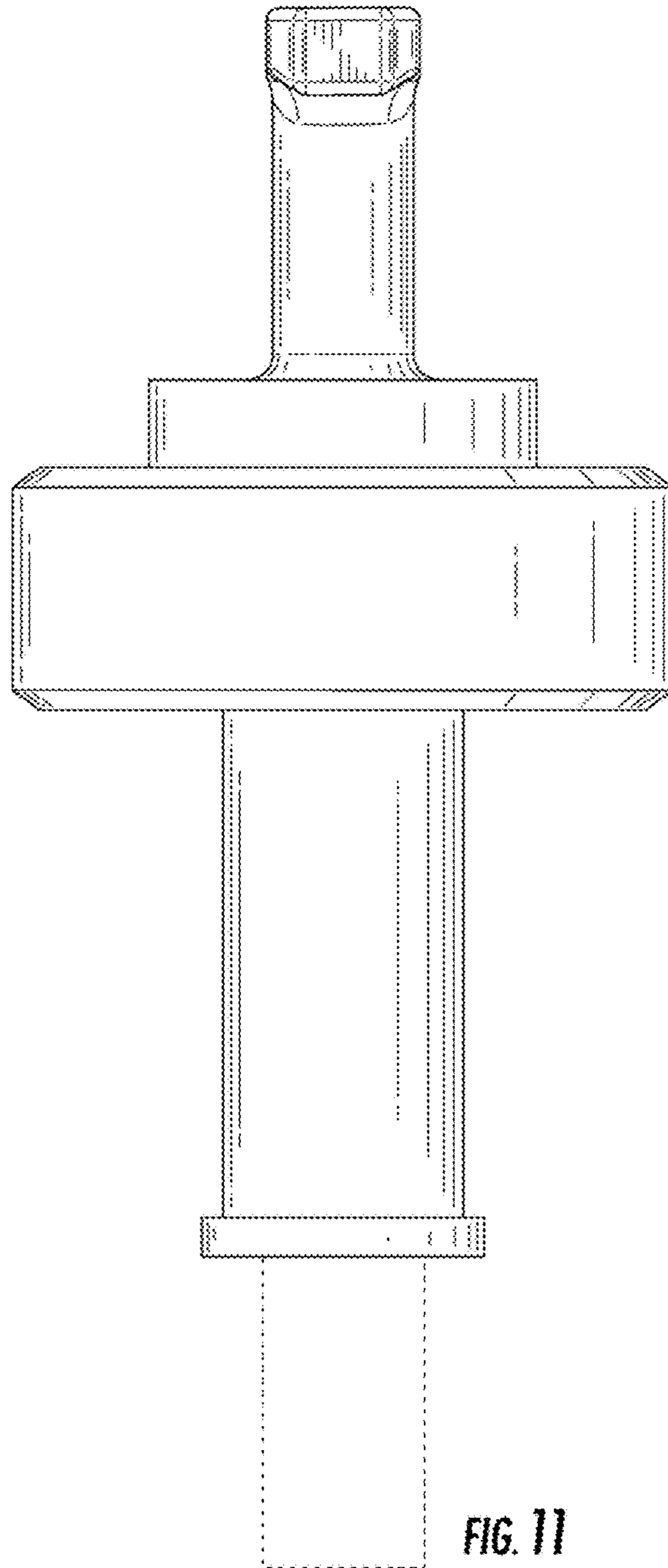


FIG. 11

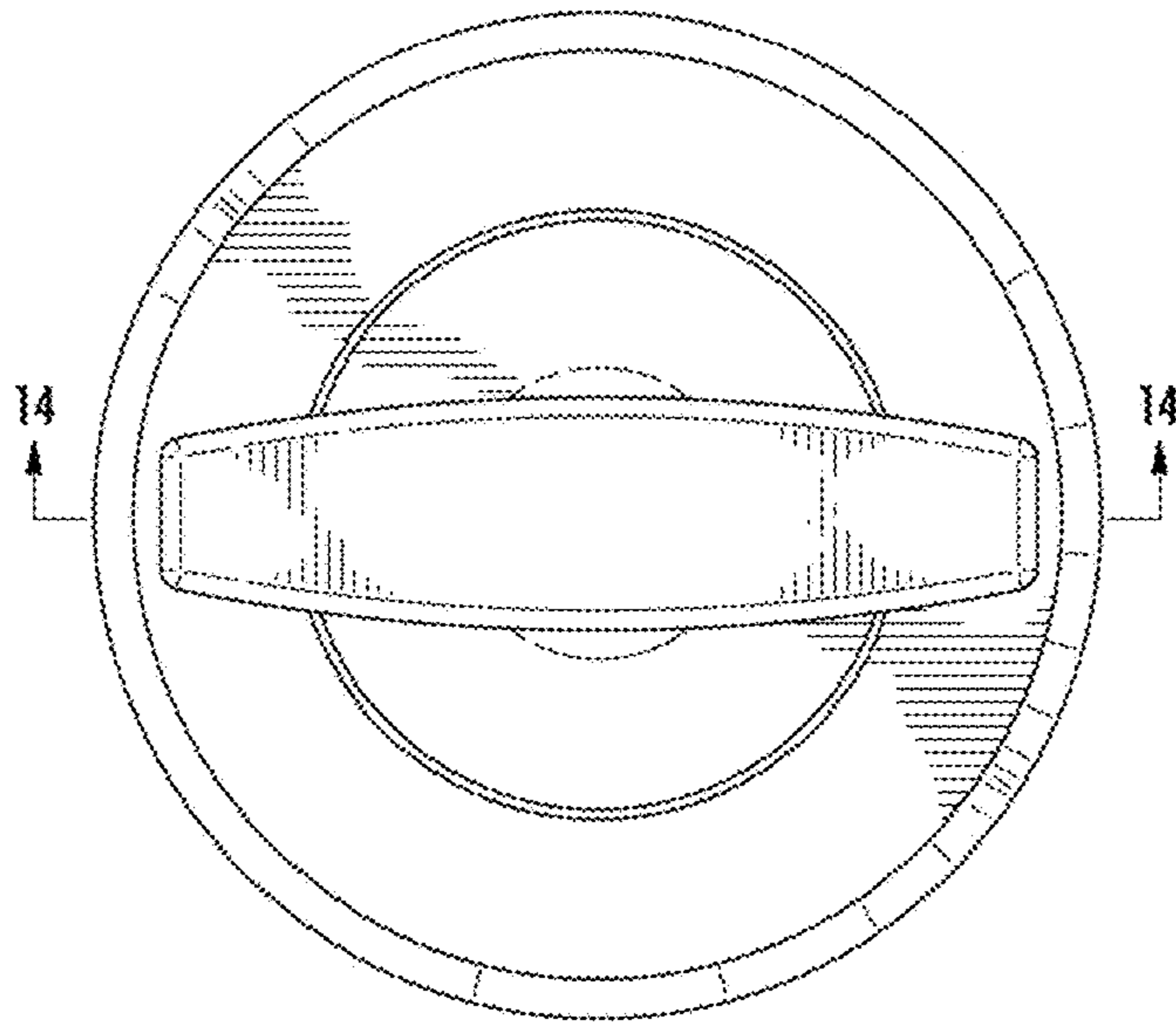


FIG. 12

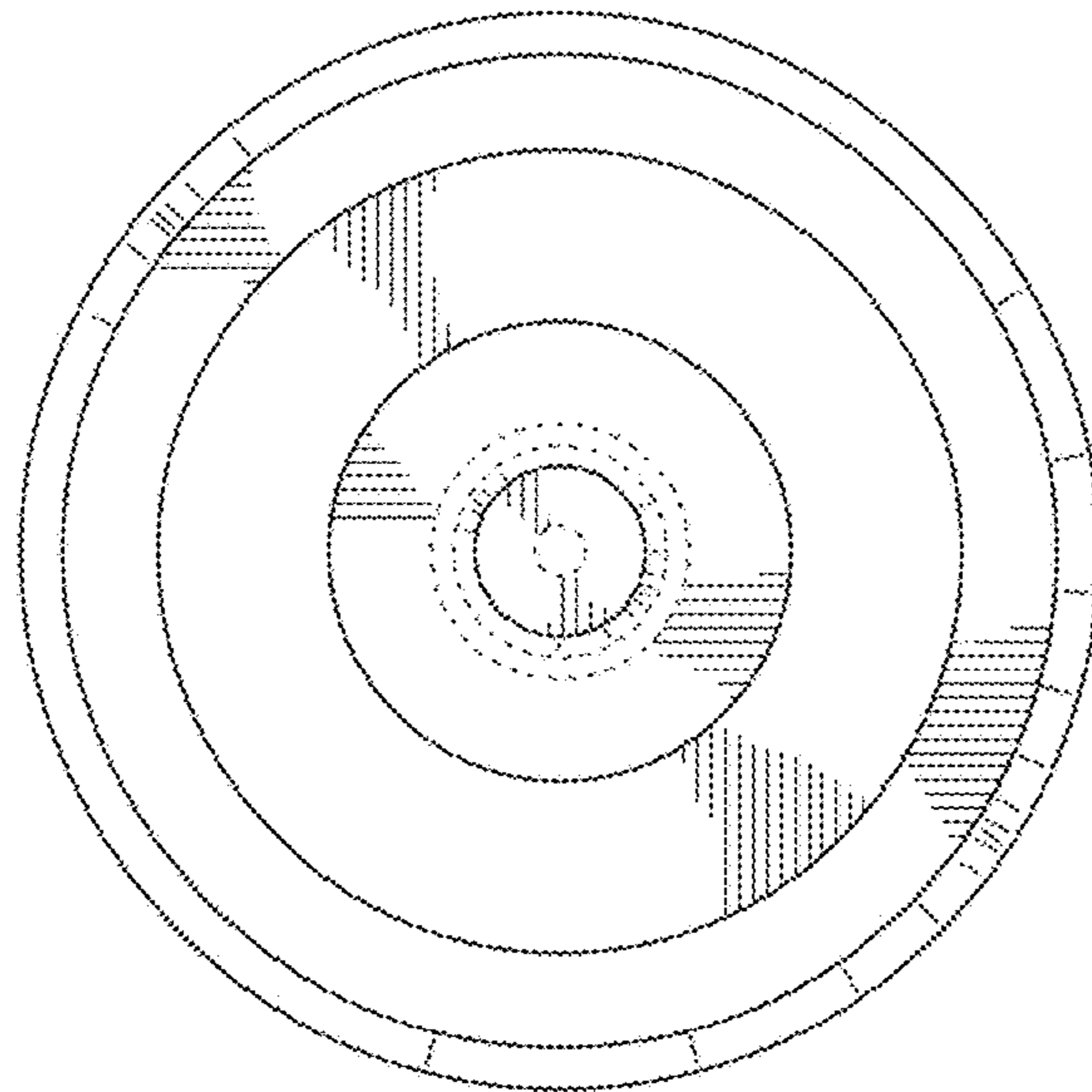


FIG. 13

